

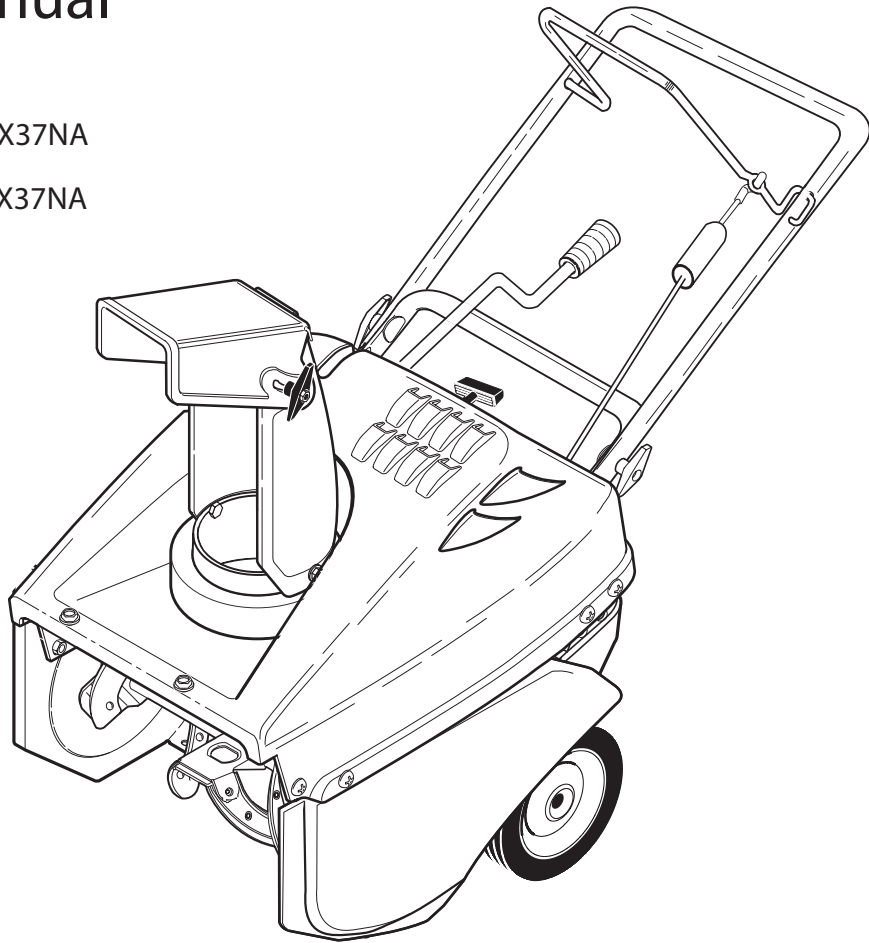


Operator's Manual

Models

5021 R (531309638) 6210530X37NA

5021 E (531309639) 6210540X37NA



**Read and keep this book for future reference.
This book contains important information on
*Safety, Assembly, Operation, and Maintenance.***

Product Information

The owner must be certain that all the product information is included with the unit. This information includes the INSTRUCTION BOOKS, REPLACEMENT PARTS, and WARRANTIES. This information must be included to make sure state laws and other laws are followed.

2007 - 07

INTRODUCTION

Congratulations on your purchase. This Snowthrower has been designed, engineered and manufactured to give you the best possible dependability and performance. However, like all mechanical products, your machine will occasionally require adjustment and maintenance. This handbook should be read before operating or performing and adjustments on your machine.

The instructions in this Owner's Manual are written for a person with some mechanical ability. Like most service books, not all the steps are described. Steps on how to loosen or tighten fasteners are steps anyone can follow with some mechanical ability. Read and follow these instructions before you use the unit.

Know your product: If you understand the unit and how the unit operates, you will get the best performance. As you read this manual, compare the illustrations to the unit. Learn the location and the function of the controls. To help prevent an accident, follow the operating instructions and the safety rules. Keep this manual for future reference.

IMPORTANT: Many units are not assembled and are sold in cartons. It is the responsibility of the owner to make sure the assembly instructions in this manual are exactly followed. Other units are purchased in an assembled condition. On assembled units, it is the responsibility of the owner to make sure the unit is correctly assembled. The owner must carefully check the unit according to the instructions in this manual before it is first used.

The warranty, found in this manual, details the coverage and limitations of this product.

RESPONSIBILITY OF THE OWNER

It is the responsibility of the owner to follow the instructions below.



1. Carefully read and follow the rules for safe operation.
2. Follow all the assembly instructions.
3. Inspect the unit.
4. Make sure that the operator of the unit knows how to correctly use all standard and accessory equipment.
5. Operate the unit only with guards, shields, and other safety items in place and working correctly.
6. Correctly adjust the unit.
7. Service the unit only with authorized or approved replacement parts.
8. Complete all maintenance on the unit.

FOR YOUR RECORDS

DATE PURCHASED: _____
MODEL NO: _____
SERIAL NO: _____
STORE WHERE PURCHASED: _____
ADDRESS: _____
CITY: _____ STATE: _____
TELEPHONE : _____

Record this information about your unit so that you will be able to provide it in case of loss or theft.




RULES FOR SAFE OPERATION

  This manual contains safety information to make you aware of the hazards and risks associated with snow throwers, and how to avoid them. The snow thrower is designed and intended for removal of snow, and should not be used for any other purpose. It is important that you read and understand these instructions, and anyone operating the equipment read and understand these instructions.

WARNING



The engine exhaust from this product contains chemicals known to the State of California to cause cancer, birth defects, or other reproductive harm.

A signal word (DANGER, WARNING, or CAUTION) is used with the alert symbol to indicate the likelihood and the potential severity of injury. In addition, a hazard symbol may be used to represent the type of hazard.

-  **DANGER** indicates a hazard which, if not avoided, will result in death or serious injury.
-  **WARNING** indicates a hazard which, if not avoided, could result in death or serious injury.
-  **CAUTION** indicates a hazard which, if not avoided, might result in minor or moderate injury. **CAUTION**, when used **without** the alert symbol, indicates a situation that **could result in damage to the equipment**.














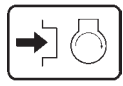


















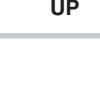

Hazard Symbols and the meanings

These symbols are used on your equipment and defined in your operating manual. Review and understand the meanings. The use of one of these symbols combined with a signal word will alert you to potential hazards and how to avoid them.

	Safety Alert – Identifies safety information about hazards that can result in personal injury.
	Operator's Manual – Read and understand before performing any activity or running equipment.
	Rotating auger
	Fire
	Rotating impeller
	Explosion
	Toxic fumes
	Shock
	Rotating gears
	Hot Surface
	Thrown objects
	Never reach into rotating parts.
	Keep a safe distance from the equipment.
	Recommended ear protection for extended use.
	Shut off engine and remove spark plug connector before performing maintenance or repair work.

Operating Symbols and their meanings

These symbols are used on your equipment and defined in your operating manual. It is important that you review and understand the meanings. Failure to understand the symbols might result in harm to you.

	Oil		Forward
	Fuel		Neutral
	On Off		Reverse
	Primer bulb		Ignition On
	Throttle		Ignition Off
	Choke off		Ignition Key
	Choke on		Push to engage electric start
	Stop		Electric Start
	Slow		Engine Start
	Fast		Engine Run
	Engage		Engine Off
	Traction		Engage
	Auger Collector		Disengage
	Auger Clutch		Discharge Chute
	Drive Clutch		Chute Deflector
			LEFT
			RIGHT
			UP
			DOWN

RULES FOR SAFE OPERATION



WARNING: This machine is capable of amputating hands and feet and throwing objects. Read these safety rules and follow them closely. Failure to obey these rules could result in loss of control of unit, severe personal injury or death to you, or bystanders, or damage to property or equipment. The triangle  in text signifies important cautions or warnings which must be followed.

Safe Operation Practices for Snowthrowers As Recommended By: American National Standards Institute (ANSI)

IMPORTANT: Safety standards require operator presence controls to minimize the risk of injury. Your snowthrower is equipped with such controls. Do not attempt to defeat the function of the operator presence control under any circumstances.

Training

1. Read, understand, and follow all instructions on the machine and in the manuals before operating this unit. Be thoroughly familiar with the controls and the proper use of the equipment. Know how to stop the unit and disengage the controls quickly.
2. Never allow children to operate the equipment. Never allow adults to operate the equipment without proper instruction.
3. Keep the area of operation clear of all persons, particularly small children and pets.
4. Exercise caution to avoid slipping or falling especially when operating in reverse.

Preparation

1. Thoroughly inspect the area where the equipment is to be used and remove all doormats, sleds, boards, wires, and other foreign objects.
2. Disengage all clutches and shift into neutral before starting the engine (motor).
3. Do not operate the equipment without wearing adequate winter outer garments. Wear footwear that will improve footing on slippery surfaces. Avoid loose fitting clothing that can get caught in moving parts.
4. Handle fuel with care; it is highly flammable.
 - a. Use an approved fuel container.
 - b. Never add fuel to a running engine or hot engine.
 - c. Fill fuel tank outdoors with extreme care. Never fill fuel tank indoors. Replace fuel cap securely and wipe up spilled fuel.
 - d. Never fill containers inside a vehicle or on a truck or trailer bed with a plastic liner. Always place containers on the ground, away from your vehicle, before filling.
 - e. When practical, remove gas-powered equipment from the truck or trailer and refuel it on the ground. If this is not possible, then refuel such on a trailer with a portable container, rather than from a gasoline dispenser nozzle.
 - f. Keep nozzle in contact with the rim of the fuel tank or container opening at all times, until refueling is complete. Do not use a nozzle lock-open device.
 - g. Replace gasoline cap securely and wipe up spilled fuel.
 - h. If fuel is spilled on clothing, change clothing immediately.

5. Use extension cords and receptacles as specified by the manufacturer for all units with electric drive motors or electric starting motors.
6. Adjust the collector housing height to clear gravel or crushed rock surfaces.
7. Never attempt to make any adjustments while the engine (motor) is running (except when specifically recommended by manufacturer).
8. Let engine (motor) and snowthrower adjust to outdoor temperatures before starting to clear snow.
9. Always wear safety glasses or eye shields during operation or while performing an adjustment or repair to protect eyes from foreign objects that may be thrown from the machine.

Operation

1. Do not put hands or feet near or under rotating parts. Keep clear of the discharge opening at all times.
2. Exercise extreme caution when operating on or crossing gravel drives, walks or roads. Stay alert for hidden hazards or traffic.
3. After striking a foreign object, stop the engine (motor), remove the wire from the spark plug, disconnect the cord on electric motors, thoroughly inspect snowthrower for any damage, and repair the damage before restarting and operating the snowthrower.
4. If the unit should start to vibrate abnormally, stop the engine (motor) and check immediately for the cause. Vibration is generally a warning of trouble.
5. Stop the engine (motor) whenever you leave the operating position, before unclogging the collector/impeller housing or discharge chute and when making any repairs, adjustments, or inspections.
6. When cleaning, repairing, or inspecting, make certain the collector/impeller and all moving parts have stopped. Disconnect the spark plug wire and keep the wire away from the spark plug to prevent accidental starting.
7. Do not run the engine indoors, except when starting the engine and for transporting the snowthrower in or out of the building. Open the outside doors; exhaust fumes are dangerous (containing CARBON MONOXIDE, an ODORLESS and DEADLY GAS).
8. Exercise extreme caution when operating on slopes. Do not attempt to clear steep slopes.
9. Never operate the snowthrower without proper guards, plates, or other safety protective devices in place and working.
10. Never direct the discharge toward people or areas where property damage can occur. Keep children and others away.
11. Do not overload the machine capacity by attempting to clear snow at too fast a rate.

RULES FOR SAFE OPERATION

12. Never operate the machine at high transport speeds on slippery surfaces. Look behind and use care when operating in reverse.
13. Disengage power to the collector/impeller when snowthrower is transported or not in use.
14. Use only attachments and accessories approved by the manufacturer of the snowthrower (such as cabs, tire chains, etc.).
15. Never operate the snowthrower without good visibility or light. Always be sure of your footing and keep a firm hold on the handles. Walk, never run.
16. Never touch a hot engine or muffler.
17. Never operate the snowthrower near glass enclosures, automobiles, window wells, drop-offs, and the like without proper adjustment of the snow discharge angle.
18. Never direct discharge at bystanders or allow anyone in front of the unit.
19. Never leave a running unit unattended. Always disengage the auger and traction controls, stop engine, and remove keys.
20. Do not operate the unit while under the influence of alcohol or drugs.
21. Keep in mind the operator is responsible for accidents occurring to other people or property.
22. Data indicates that operators, age 60 years and above, are involved in a large percentage of power equipment-related injuries. These operators should evaluate their ability to operate the unit safely enough to protect themselves and others from injury.
23. DO NOT wear long scarves or loose clothing that could become entangled in moving parts.
24. Snow can hide obstacles. Make sure to remove all obstacles from the area to be cleared.

Children

Tragic accidents can occur if the operator is not alert to the presence of children. Children are often attracted to the unit and the operating activity. Never assume that children will remain where you last saw them.

1. Keep children out of the area and under the watchful care of another responsible adult.
2. Be alert and turn off if children enter the area.
3. Never allow children to operate the unit.
4. Use extra care when approaching blind corners, shrubs, trees, or other objects that may obscure vision.

Clearing A Clogged Discharge Chute

Hand contact with the rotating impeller inside the discharge chute is the most common cause of injury associated with snowthrowers. Never use your hand to clean out the discharge chute.

To clear the chute:

1. SHUT OFF THE ENGINE.
2. Wait 10 seconds to be sure the impeller blades have stopped rotating.
3. Always use a clean out tool, not your hands.

Service, Maintenance And Storage

1. Check shear bolts and other bolts at frequent intervals for proper tightness to be sure the equipment is in safe working condition.
2. Never store the machine with fuel in the tank inside a building where ignition sources are present such as hot water and space heaters, or clothes dryers. Allow the engine to cool before storing in any enclosure.
3. Always refer to operator's manual for important details if the snowthrower is to be stored for an extended period.
4. Maintain or replace safety and instruction labels as necessary.
5. Run the machine a few minutes after throwing snow to prevent freeze-up of the collector/impeller.
6. If fuel is spilled, do not attempt to start the engine but move the machine away from the area of spillage and avoid creating any source of ignition until fuel vapors have dissipated.
7. Always observe safe refueling and fuel handling practices when refueling the unit after transportation or storage.
8. Always follow the engine's manual instructions for storage preparations before storing the unit for both short and long term periods,
9. Always follow the engine manual instructions for proper start-up procedures when returning the unit to service.
10. Maintain or replace safety and instruction labels as necessary.
11. Keep nuts and bolts tight and keep equipment in good condition.
12. Never tamper with safety devices. Check their proper operation regularly and make necessary repairs if they are not functioning properly.
13. Components are subject to wear, damage, and deterioration. Frequently check components and replace with manufacturer's recommended parts, when necessary.
14. Check control operation frequently. Adjust and service as required.
15. Use only factory authorized replacement parts when making repairs.
16. Always comply with factory specifications on all settings and adjustments.
17. Only authorized service locations should be utilized for major service and repair requirements.
18. Never attempt to make major repairs on this unit unless you have been properly trained. Improper service procedures can result in hazardous operation, equipment damage and voiding of manufacturer's warranty.
19. Check shear bolts (pins) and other bolts at frequent intervals for proper tightness to be sure the equipment is in safe working condition.

Emissions

1. Engine exhaust from this product contains chemicals known, in certain quantities, to cause cancer, birth defects, or reproductive harm.
2. If available, look for the relevant Emissions Durability Period and Air Index information on the engine emissions label.

TABLE OF CONTENTS

INTRODUCTION	2
RULES FOR SAFE OPERATION	3
HAZARD SYMBOLS AND THE MEANINGS	3
OPERATING SYMBOLS AND THEIR MEANINGS	3
SAFE OPERATING PRACTICES	4
SAFETY DECALS	8
OWNER'S INFORMATION/WARRANTY STATEMENT.	9
ASSEMBLY	11
PARTS BAG CONTENTS	11
TOOLS REQUIRED FOR ASSEMBLY	11
HOW TO REMOVE THE SNOWTHROWER FROM THE CARTON	11
HOW TO ASSEMBLY THE HANDLE	11
ADD OIL TO THE ENGINE	12
ADD FUEL TO THE ENGINE	12
BEFORE YOU OPERATE	13
KNOW YOUR SNOWTHROWER	13
OPERATION	14
HOW TO CONTROL SNOW DISCHARGE	15
HOW TO THROW SNOW	15
HOW TO STOP DISCHARGING SNOW	15
HOW TO MOVE FORWARD	15
BEFORE STARTING THE ENGINE	16
HOW TO STOP THE ENGINE	16
HOW TO START THE ENGINE	16
HOW TO START A COLD ENGINE	16
HOW TO START A WARM ENGINE	17
HOW TO START A WARM ENGINE WITH A FROZEN STARTER	17
HOW TO CLEAR A CLOGGED DISCHARGE CHUTE	17
SNOW THROWING TIPS	17
MAINTENANCE	19
EMISSIONS CONTROL	19
GENERAL RECOMMENDATIONS	19
ENGINE POWER RATING INFORMATION	19
AFTER EACH USE	20
HOW TO REMOVE THE TOP COVER	20
LUBRICATION BEFORE STORAGE	20
HOW TO ADJUST THE AUGER CONTROL CABLE	21
HOW TO REMOVE THE BELT COVER	21
HOW TO REPLACE THE DRIVE BELT	22
HOW TO REPLACE THE AUGER	23
HOW TO ADJUST THE BRAKE PAD	23
HOW TO REPLACE THE SPARK PLUG	24
HOW TO PREPARE THE SNOWTHROWER FOR STORAGE	24
HOW TO ORDER REPLACEMENT PARTS	25
TROUBLESHOOTING CHART	26

SAFETY DECALS

This unit has been designed and manufactured to provide you with the safety and reliability you would expect from an industry leader in outdoor power equipment.

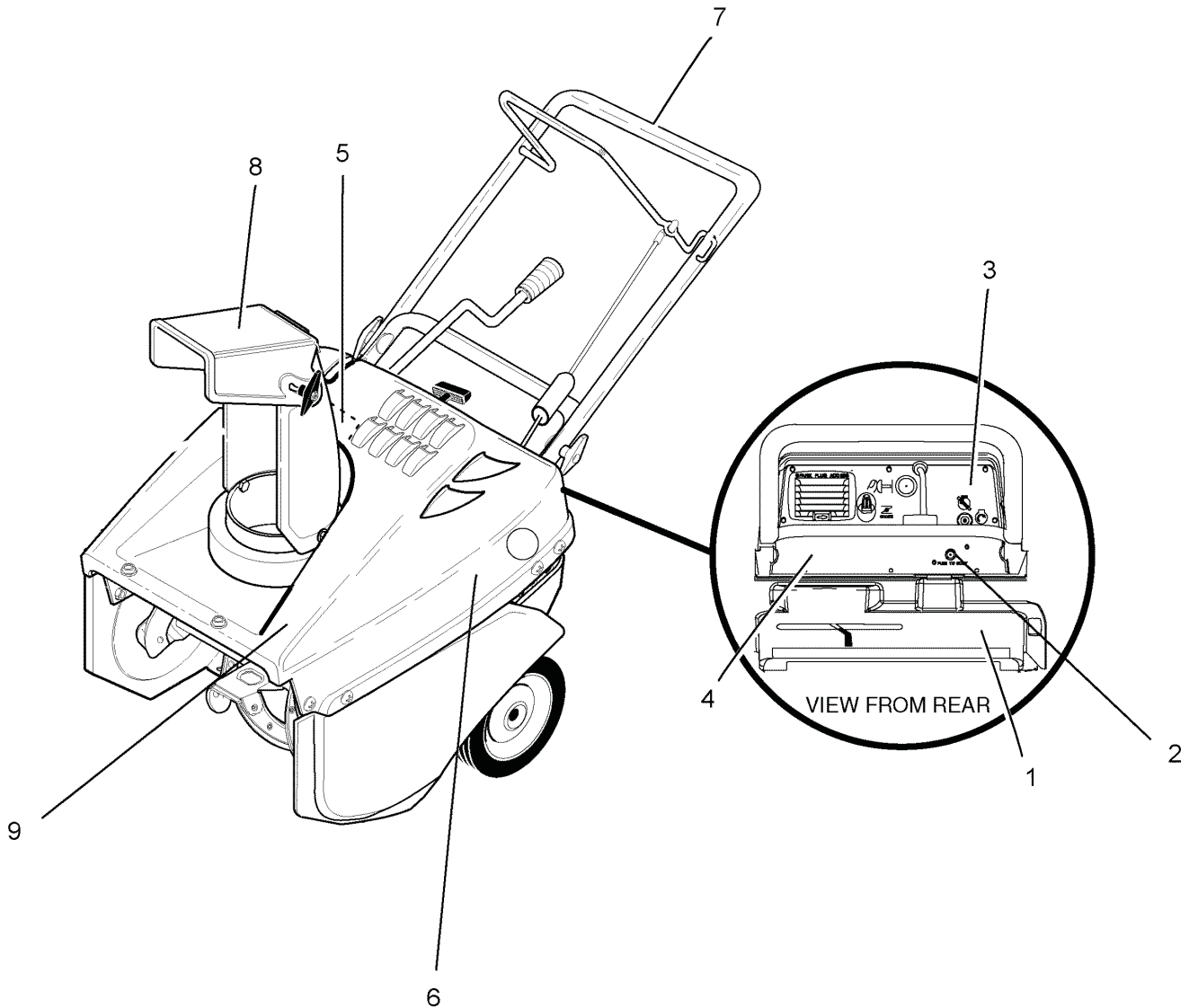
Although reading this manual and safety instructions it contains will provide you with the necessary basic knowledge to operate this equipment safely and effectively, we have placed several safety labels on the unit to remind you of this important information while you are operating your unit.

All WARNING, CAUTION, and instructional messages on your unit should be carefully read and obeyed. Personal bodily injury can result when these instructions are not followed. The information is for your safety and it is important.

The safety decals below are on your unit. If any of these decals are lost or damaged, replace them at once. See your local dealer for replacements. These labels are easily applied and will act as a constant visual reminder to you, and others who may use the equipment, to follow the safety instructions necessary for safe, effective, operation.

NOTE: Engine operation and safety decals are supplied by the engine manufacturer.

SAFETY DECALS



Decals

REF NO	PART NO.	DESCRIPTION
1	----	* DECAL, EPA, MASS
2	761793MA	DECAL, ELECTRIC START, COVER UP (Used on Model 6210530x37NA 5021R Only)
2	48X5638MA	DECAL, ELECTRIC START (Used on Model 6210540x37NA 5021E Only)
3	1741524MA	DECAL, DASH PANEL (Used on Model 6210530x37NA 5021R Only)
3	1741525MA	DECAL, DASH PANEL (Used on Model 6210540x37NA 5021E Only)
4	1740048MA	DECAL, HUSQVARNA
5	1740372MA	DECAL, HUSQVARNA 5021R (Used on Model 6210530x37NA 5021R Only)
5	1740366MA	DECAL, HUSQVARNA 5021E (Used on Model 6210540x37NA 5021E Only)
6	69880MA	DECAL, WARNING HOT MUFFLER
7	761150MA	DECAL, AUGER CONTROL
8	48X5642MA	DECAL, DANGER CHUTE
9	70141MA	DECAL, DANGER AUGER, FOOT

OWNER'S INFORMATION



WARRANTY STATEMENT

SECTION 1: LIMITED WARRANTY

Husqvarna Forest & Garden Company ("Husqvarna") warrants Husqvarna product to the original purchaser to be free from defects in material and workmanship from the date of purchase for the "Warranty Period" of the product as set forth below:

Lifetime Warranty (Parts and Labor): All tiller tines and trimmer shafts against breakage. Proof of purchase required.

Lifetime Warranty ("PARTS ONLY" after initial warranty expiration): Ignition coils and modules on handheld product. Proof of purchase required.

WARRANTY SCHEDULE FOR TURF CARE Equipment – Zero Turn Riders (New warranty applies to units sold after August 1, 2005. Also applies to units factory-equipped with R.O.P.S.)

EZ Zero Turn Riders: 3 year consumer warranty or 600 hours of use (when used solely at the owner's residence.)

EZ Zero Turn Riders: 1 year commercial warranty or 600 hours of use.

iZ, LZ & BZ Zero Turn Riders: 5 year consumer warranty or 1,500 hours of use (when used solely at the owner's residence.)

iZ, LZ & BZ Zero Turn Riders: 1 year commercial warranty or 1,500 hours of use.

3 Year or 1,500 Hour Commercial Use Warranty: spindles on zero turn riders, hydraulic pumps and wheel motors.

Warranty Schedule for Turf Care Walk Behind Units – W, WG & WH Zero Turn Riders - 3 year consumer and commercial warranty. New warranty applies to units sold after August 1, 2005. Also applies to units factory-equipped with R.O.P.S.

2 Year COMMERCIAL and CONSUMER Warranty: all Husqvarna ground-engaging commercial equipment.

WARRANTY SCHEDULE FOR CONSUMER TURF CARE EQUIPMENT:

2 Year Consumer Warranty: Automatic mower, all Residential Zero Turn Riders, all lawn, yard and garden tractors, all noncommercial walk behind mowers, tillers, chain saws, trimmers, brushcutters, clearing saws, snow blowers, handheld blowers, backpack blowers, hedge trimmers, electrical products and power-assist collection systems for noncommercial, nonprofessional, noninstitutional or nonincome producing use, except as herein stated. All consumer product use must have been limited to the owner's residence.

WARRANTY SCHEDULE FOR CONSUMER FOREST & GARDEN EQUIPMENT:

2 Year Consumer Warranty: all consumer chain saws, trimmers, brushcutters, clearing saws, handheld blowers, backpack blowers, hedge trimmers, and electrical products for noncommercial, nonprofessional, noninstitutional or nonincome producing use, except as herein stated. All consumer product use must have been limited to the owner's residence.

2 Year or 2,000 Hour & 1 Year or 1,000 Hour Warranty: Husqvarna Utility Vehicles

1 Year Warranty: Power cutters, stump grinder, pole pruners and pole saws for noncommercial, nonprofessional, noninstitutional or nonincome producing use. All 300 series trimmers, brushcutters, clearing saws, hovering trimmers, stick edgers, backpack blowers, handheld blowers, hedge trimmers, power-assist collection systems for commercial, institutional, professional or income producing purposes or use.

1 Year Conditional Component Warranty: Chain saw crankshafts for commercial/professional use (parts and labor). Saw must be operated with Husqvarna XP 2 cycle oil.

90 Day Commercial Warranty: Automatic mower, chain saws, 100 series trimmers, power cutters, stump grinders, pole saws, pole pruners, snow throwers, model series 580 & 600 walk-behind mowers, or any Husqvarna product used for commercial, institutional, professional, municipality or income producing purposes or use except as otherwise provided herein.

Batteries: 1 year prorated limited warranty with 100% replacement during the first 6 months.

Rental Warranty: 90 days on all applicable professional equipment reference warranty time period charts located in the back of the Retailer Warranty Policy & Procedure Manual.

Husqvarna Safety Apparel carries as 90-day warranty from the date of the customer's original purchase for defects in material and workmanship. Normal wear, tear or abuse is not covered under the warranty. Product must be returned to Charlotte with a warranty claim form. All care and maintenance instructions must be followed as stated by the manufacturer on the care label. The fit of the product apparel/boot is not covered under warranty.

30 Day Warranty: Replacement parts, accessories including bars and chains, tools and display items. Emission control system components necessary to comply with CARB-TIER II and EPA regulations, except for those components which are part of engine systems manufactured by third part engine manufactures for which the purchaser has received a separate warranty with product at time of purchase.

SECTION 2: HUSQVARNA'S OBLIGATIONS UNDER THE WARRANTY

Husqvarna will repair or replace defective components without charge for parts or labor if a component fails because of a defect in material or workmanship during the warranty period.

OWNER'S INFORMATION



WARRANTY STATEMENT

SECTION 3: ITEMS NOT COVERED BY THIS WARRANTY

The following items are not covered by this warranty:

1. Normal customer maintenance items which become worn through normal regular use, including, but not limited to, belts, blades, blade adapters, bulbs, clutches, clutch drums, filters, guide bars, lubricants, rewind springs, saw chain, spark plugs, starter ropes and tines.
2. Natural discoloration of material due to ultraviolet light.
3. Engine and drive systems not manufactured by Husqvarna; these items are covered by the respective manufacturer's warranty as provided in writing with the product information supplied at the time of purchase; all claims must be sent to the appropriate manufacturer.
4. Lawn and garden attachments are covered by a third party which gives a warranty, all claims for warranty should be sent to the manufacturer.
5. Commercial or consumer mowing decks with sand abrasion damage.
5. Emission Control System components necessary to comply with CARB-TIER III and EPA regulations which are manufactured by third party engine manufacturer.

SECTION 4: EXCEPTIONS AND LIMITATIONS

This warranty shall be inapplicable to defects resulting from the following:

1. Accident, abuse, misuse, negligence and neglect, including stale fuel, dirt, abrasives, moisture, rust, corrosion, or any adverse reaction due to incorrect storage or use habits;
2. Failure to operate or maintain the unit in accordance with the Owner's/Operator's manual or instruction sheet furnished by Husqvarna;
3. Alterations or modifications that change the intended use of the product or affects the product's performance, operation, safety, or durability, or causes the product to fail to comply with any applicable laws; or:
4. Additional damage to parts or components due to continued use occurring after any of the above.

REPAIR OR REPLACEMENT AS PROVIDED UNDER THIS WARRANTY IS THE EXCLUSIVE REMEDY OF THE PURCHASER. HUSQVARNA SHALL NOT BE LIABLE FOR ANY INCIDENTAL OR CONSEQUENTIAL DAMAGES FOR BREACH OF ANY EXPRESS OR IMPLIED WARRANTY ON THESE PRODUCTS EXCEPT TO THE EXTENT PROHIBITED BY APPLICABLE LAW. ANY IMPLIED WARRANTY OF MERCHANTABILITY OR FITNESS FOR A PARTICULAR PURPOSE ON THESE PRODUCTS IS LIMITED IN DURATION TO THE WARRANTY PERIOD AS DEFINED IN THE LIMITED WARRANTY STATEMENT. HUSQVARNA RESERVES THE RIGHT TO CHANGE OR IMPROVE THE DESIGN OF THE PRODUCT WITHOUT NOTICE, AND DOES NOT ASSUME OBLIGATION TO UPDATE PREVIOUSLY MANUFACTURED PRODUCTS.

Some states do not allow the exclusion of incidental or consequential damages, or limitations on how long an implied warranty lasts, so the above limitations or exclusions may not apply to you. This warranty gives you specific legal rights, and you may also have other rights which vary from state to state.

SECTION 5: CUSTOMER RESPONSIBILITIES

The product must exhibit reasonable care, maintenance, operation, storage and general upkeep as written in the maintenance section of the Owner's/Operator's manual. Should an operational problem or failure occur, the product should not be used, but delivered as is to an authorized Husqvarna retailer for evaluation. Proof of purchase, as explained in section 6, rests solely with the customer.

SECTION 6: PROCEDURE TO OBTAIN WARRANTY CONSIDERATION

It is the Owner's and Retailer's responsibility to make certain that the Warranty Registration Card is properly filled out and mailed to Husqvarna Forest & Garden Company. This card should be mailed within ten (10) days from the date of purchase in order to confirm the warranty and to facilitate post-sale service.

Proof of purchase must be presented to the authorized Husqvarna retailer in order to obtain warranty service. This proof must include date purchased, model number, serial number, and complete name and address of the selling retailer.

To obtain the benefit of this warranty, the product believed to be defective must be delivered to an authorized Husqvarna retailer in a timely manner, no later than thirty (30) days from date of the operational problem or failure. The product must be delivered at the owner's expense. Downtime, pick-up and delivery charges are not covered by this warranty. An authorized Husqvarna retailer can be normally located through the "Yellow Pages" of the local telephone directory or by calling 1-800-HUSKY62 for a dealer in your area.

HUSQVARNA
7349 Statesville Road
Charlotte, NC 28269

ASSEMBLY

Read and follow the assembly and adjustment instructions for your snowthrower. All fasteners are in the parts bag. Do not discard any parts or material until the unit is assembled.

WARNING: Before doing any assembly or maintenance to the snowthrower, remove the wire from the spark plug.

NOTE: In this instruction book, left and right describe the location of a part from the operator's position behind the unit.

NOTE: Torque is measured in foot pounds (metric Nm). This measurement describes how tight a nut or bolt must be. The torque is measured with a torque wrench.

PARTS BAG CONTENTS

- 1 - Electric Start Cord (Not Shown)
- 1 - Owner's Manual
- 1 - Fuel Stabilizer
- 1 - Container Oil 5W30

TOOLS REQUIRED FOR ASSEMBLY

- 1 - Knife

WARNING: Always wear safety glasses or eye shields while assembling the snowthrower.

Figure 3 shows the snowthrower in the operating position.

References to the right or left hand side of the snowthrower are from the viewpoint of the operator's position behind the unit.

HOW TO REMOVE THE SNOWTHROWER FROM THE CARTON

1. Locate and remove the container of oil.
2. Locate all parts that are packed separately and remove from the carton.
3. Remove and discard the packing material from around the snowthrower.

4. Cut down all four corners of the carton and lay the side panels flat.
5. Cut off the plastic bag that covers the snowthrower.
6. Hold onto the lower handle and pull the snowthrower off the carton.

CAUTION: DO NOT back over cables.

7. Remove the packing material from the handle assembly.

HOW TO ASSEMBLE THE HANDLE

1. Remove the packing material from the upper and lower handles.
2. **(Figure 1)** Loosen the knobs (1) on each side of the handle (2).
3. Raise the upper handle (2) to the operating position. Hold the upper handle (2) apart to prevent scratching the lower handle.

NOTE: Make sure the cables are not caught between the upper and lower handle.

4. Tighten the knobs.

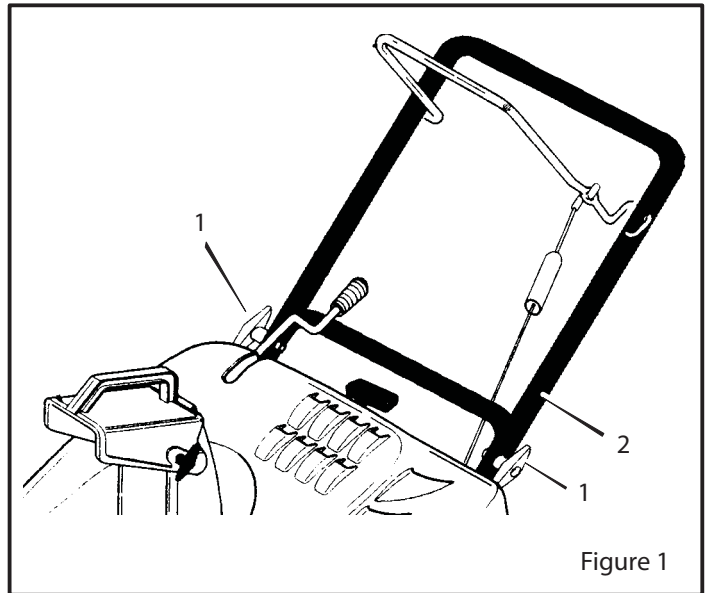


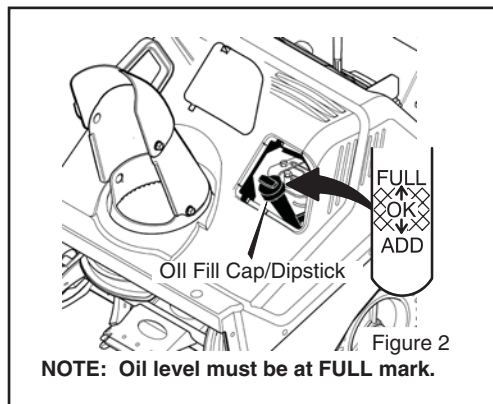
Figure 1

ASSEMBLY

ADD OIL TO THE ENGINE

NOTE: Engine may already contain some residual oil. Check frequently when filling the crankcase. DO NOT overfill.

The snow thrower was shipped with a container of 5W30 motor oil. This oil must be added to the engine before operating.



1. Make sure the unit is level.
2. Remove the oil fill cap/dipstick and fill the crankcase to "FULL" line on dipstick. DO NOT overfill.
3. Pour the oil slowly into the engine oil fill. DO NOT overfill. After adding oil, wait one minute and then recheck the oil level.
4. Tighten the oil fill cap/dipstick securely each time you check the oil level.

NOTE: Synthetic oil can assist with starting in extreme cold temperatures. Synthetic 5W30 is acceptable for all temperatures. Do NOT mix oil with unleaded gasoline.

ADD FUEL TO THE ENGINE

This engine is certified to operate on gasoline or petrol. The emissions control system for this engine is EM (Engine Modifications).

WARNING: Alcohol blended fuels (called gasohol or those using ethanol or methanol) can attract moisture which leads to separation and formation of acids during storage. Acidic gas can damage the fuel system of an engine while in storage.

NOTE: To avoid engine problems, the fuel system must be emptied before storage for 30 days or longer. Start the engine and let it run until the fuel lines and carburetor are empty. Use fresh fuel next season. See the Storage section in this manual for additional information.

Fill the fuel tank only with fresh, clean, unleaded regular, unleaded premium, or reformulated automotive fuel with a minimum of 85 octane. DO NOT use leaded gasoline or petrol. Make sure that the container you pour the fuel is free from rust or foreign particles. Never use fuel that may be stale from long periods of storage in the container.

1. Stop the engine. Before you remove fuel cap, let the engine cool at least 2 minutes.
2. Remove the fuel cap. Fill the fuel tank to approximately 1-1/2 inches (38 mm) below top of neck to allow for fuel expansion. Be careful not to overfill.
3. Replace the fuel cap before starting the engine.

WARNING: Gasoline and petrol and its vapors are extremely flammable and explosive. Fire or explosion can cause severe burns or death.

- Turn engine off and let engine cool at least 2 minutes removing the gas cap.
- Fill fuel tank outdoors or in well-ventilated area.
- Keep gasoline away from sparks, open flames, pilot lights, head, and other ignition sources.
- If fuel spills, wait until it evaporates before starting engine.

ASSEMBLY

BEFORE YOU OPERATE

Before you operate your new snow thrower, please review the following checklist:

- Make sure all assembly instructions have been completed.
- Make sure the discharge chute rotates freely.
- Make sure that no loose parts remain in the carton.

As you learn how to properly use the snow thrower, pay extra attention to the following important items:

- Make sure the engine oil is at the proper level. For the type engine oil to use, see the Engine Manufacturer's manual.
- Make sure the fuel tank is filled with clean, fresh, unleaded gasoline or petrol with a minimum of 85 octane.
- Become familiar with the location of all controls and understand their function.
- Before starting the engine, make sure all controls operate correctly.

KNOW YOUR SNOWTHROWER

Read this Instruction Book and safety rules before operating the snow thrower. Compare the illustration with your snow thrower to familiarize yourself with the location of various controls and adjustments.

OPERATION

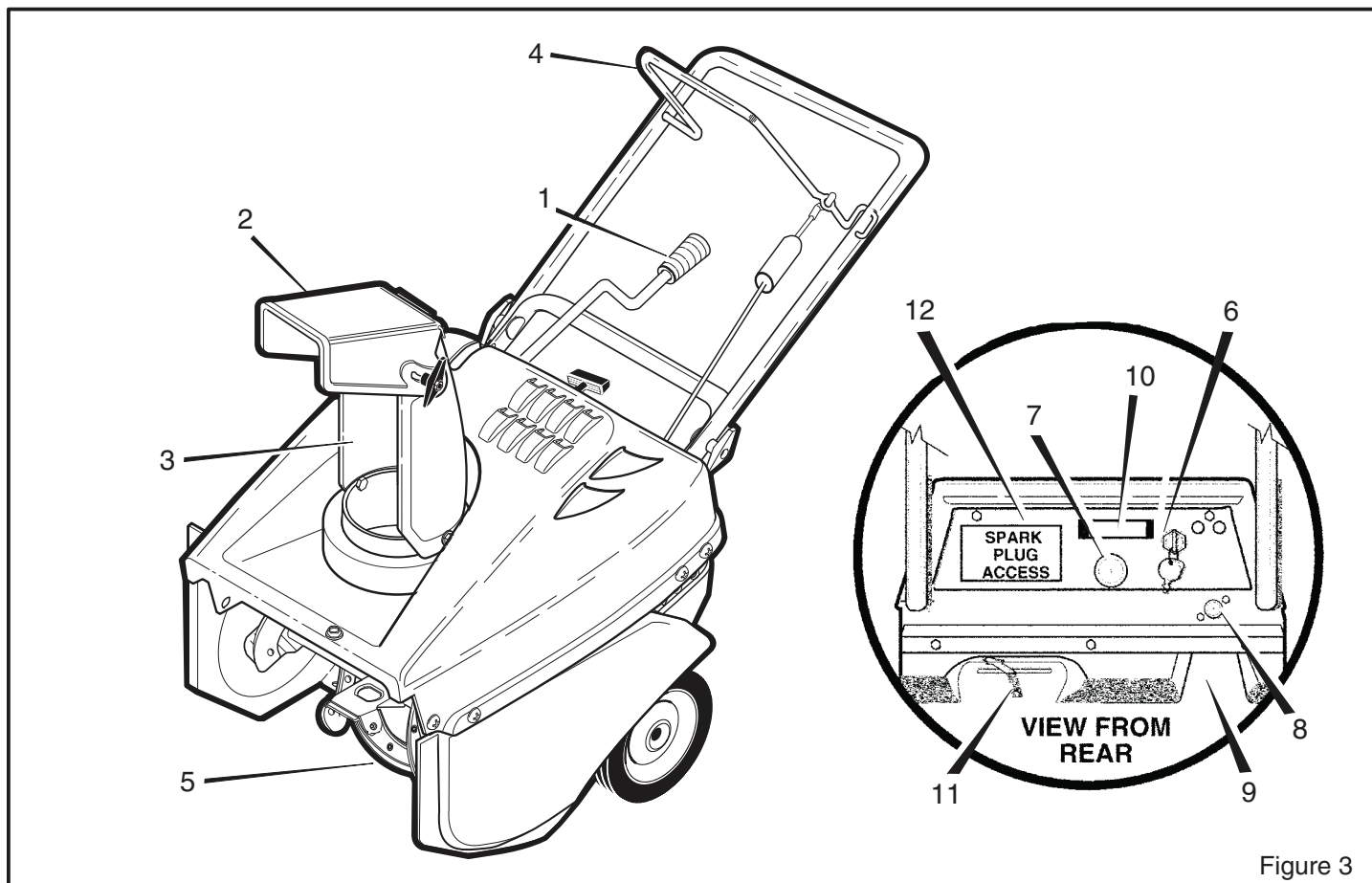


Figure 3

Control and Equipment Features (Figure 3)

Crank Assembly (1) - Changes the direction of the discharge chute.

Chute Deflector (2) - Changes the distance the snow is thrown.

Discharge Chute (3) - Changes the direction the snow is thrown.

Auger Drive Lever (4) - Starts and stops the auger which propels the snow thrower.

Auger Blades (5) - Cuts through the snow.

Engine Features (Figure 3)

Stop Switch (6) - If equipped, move to the ON position to start the engine.

Ignition Key (6) - If equipped, insert and turn to the ON position to start the engine.

Primer Button (7) - Injects fuel directly into the carburetor for fast starts in cold weather.

Engine Start Button (8) - On electric start models, used to start the engine.

Switch Box (9) - On electric start models, used to attach electrical power cord.

Recoil Starter Handle (10) - Used to manually start the engine.

Choke Control (11) - Used to start a cold engine.

Spark Plug Access Panel (12) - Remove to access the spark plug.

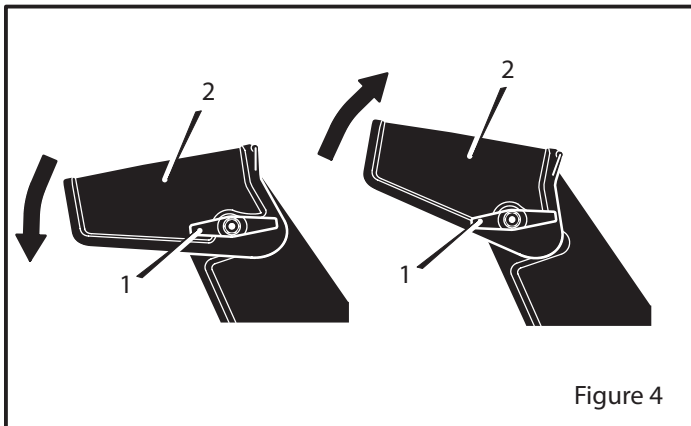
OPERATION

HOW TO CONTROL DISCHARGE OF SNOW

 **WARNING:** Never direct the discharge of snow toward bystanders.

 **WARNING:** Always stop the engine before unclogging the discharge chute or the auger housing and before leaving the snow thrower.


1. **(Figure 3)** Turn the crank assembly (1) to change the discharge direction of the snow.
2. **(Figure 4)** Loosen the wing knob (1) on the chute deflector (2).



3. Move the chute deflector (2) up for more distance or down for less distance.
4. Tighten the wing knob (1).

HOW TO THROW SNOW

1. **(Figure 3)** Engage the auger drive lever (4).
2. To stop throwing snow, release the auger drive lever.

 **WARNING:** The operation of any snow thrower can result in foreign objects being thrown into the eyes, which can result in severe eye damage. Always wear safety glasses or eye shields while operating the snow thrower. We recommend standard safety glasses or use a wide vision safety mask over your glasses.

HOW TO STOP DISCHARGING SNOW

1. **(Figure 3)** To stop discharging snow, release the auger drive lever (4).
2. To stop the engine, turn the ignition key (5) to the OFF position.

HOW TO MOVE FORWARD

1. **(Figure 3)** Hold the auger drive lever (4) against the handle (10). The auger will begin rotating.
2. To go forward, raise the handle (10) to allow the rubber auger blades (5) to contact the ground. Maintain a firm hold on the handle (10) as the snow thrower starts to move forward. Guide the snowthrower by moving the handle (10) either left or right. Do not attempt to push the snowthrower.
3. To stop, release the auger drive lever (4).

NOTE: If the auger continues to rotate, see “How To Adjust The Auger Control Cable” in the Maintenance section.

OPERATION

BEFORE STARTING THE ENGINE


1. Before you service or start the engine, familiarize yourself with the snow thrower. Be sure you understand the function and location of all controls.
2. Make sure that all fasteners are tight.
3. Make sure the fuel tank is filled with fresh, clean fuel.
4. Before starting the engine, make sure all controls operate correctly.

HOW TO STOP THE ENGINE

To stop the engine, turn the ignition key to the OFF position. Keep the ignition key in a safe place. The engine will not start without the ignition key.

HOW TO START THE ENGINE

NOTE: An electric starter kit can be added to recoil start engines. Electric starter kits are available from your nearest authorized service center.

 **WARNING:** The starter is equipped with a three-wire power cord and plug and is designed to operate on 120 AC household current. Carefully follow all instructions in the “How To Start The Engine” section. To connect a 120 volt AC power cord, always connect the power cord to the switch box first. Then, plug the other end into the three-hole grounded receptacle. When disconnecting the power cord, always unplug the end from the three-hole grounded receptacle first.

HOW TO START A COLD ENGINE

1. Fill the fuel tank with fresh, clean fuel. See “Add Fuel To The Engine” in the Assembly section.
2. Move the choke control to FULL position.
3. **(Figure 3)** Make sure the auger drive lever (4) is in the disengaged (released) position.
4. Insert the ignition key (6) and turn to the ON position.
5. Move the choke control (11) to the full choke position.
6. **(Electric Start)** Connect the power cord to the switch box (9) located on the engine.
7. **(Electric Start)** Plug the other end of the power cord into a three-hole, grounded 120 volt AC receptacle. (See the WARNING in this section.)
8. Push the primer button (7) two times. Every time you push the primer button (7), wait two seconds.
9. **(Electric Start)** Push on the electric start button (8) until the engine starts. Do not crank for more than 10 seconds at a time. The electric starter is thermally protected. If the electric starter overheats, it will automatically stop and can be restarted when it has cooled to a safe temperature. A wait of about 5 to 10 minutes is required to allow the electric starter to cool.
10. **(Recoil Start)** Rapidly pull the recoil starter handle (10). Do not allow the recoil starter handle (10) to snap back. Slowly return the recoil starter handle (10).
11. If the engine does not start in 5 or 6 tries, see the “Troubleshooting Chart” instructions.
12. **(Electric Start)** When the engine starts, release the electric start button (8) and move the choke control (14) to 1/2 choke position. When the engine runs smoothly, move the choke control (11) to the OFF position.

OPERATION

13. **(Electric Start)** First disconnect the power cord from the three-hole receptacle. Then, disconnect the power cord from the switch box (9).

NOTE: In temperatures below 0° F, allow the engine to warm up for several minutes before blowing snow.



WARNING: Never run the engine indoors or in enclosed, poorly ventilated areas. Engine exhaust contains carbon monoxide, an odorless and colorless deadly gas. Keep hands, feet, hair, and loose clothing away from any moving parts located on the engine or the snow thrower. The temperature of muffler and nearby areas may exceed 150° F. Avoid these areas.

HOW TO START A WARM ENGINE

(Figure 3) If an engine has been running and is still warm, leave the choke control (11) in the OFF position and do not push the primer button (7). If the engine fails to start, follow the instructions “How To Start A Cold Engine.”

NOTE: Do not use the primer button (7) to start a warm engine.

HOW TO START A WARM ENGINE WITH A FROZEN STARTER

If the electric starter is frozen and will not turn the engine, follow the instructions below.

1. **(Figure 3)** Pull out the recoil starter handle (10) as far as possible.
2. Quickly release the recoil starter handle (10) to snap back against the recoil starter.

If the engine still fails to start, repeat the two previous steps until the engine starts. Then, continue with the directions “How To Start A Cold Engine.”

To help prevent the possible freeze-up of the recoil starter and of the engine controls, proceed as follows after each snow removal job.

1. With the engine running, quickly pull the recoil starter handle (10) three or four times with a continuous full arm stroke. This will produce a loud clattering sound that is not harmful to the engine or starter.
2. Stop the engine. Wipe all snow and moisture from the carburetor cover, control levers, and cables. Also move the choke control (11) and recoil starter handle (10) several times.

HOW CLEAR A CLOGGED DISCHARGE CHUTE



WARNING: Hand contact with the rotating impeller inside the discharge chute is the most common cause of injury associated with snow blowing. Never use your hand to clean out the discharge chute.

To Clear The Chute:

- Shut off the engine
- Wait 10 seconds to be sure that the impeller blades have stop rotating.
- Always use a clean-out tool, not your hands.

How To Use A Clean-Out Tool:

- Release the auger drive lever.
- Pull out or remove the safety/ignition key.
- Disconnect the spark plug wire.
- Do not place your hands in the auger or discharge chute. Use a clean-out tool to remove snow or debris.

SNOW THROWING TIPS

1. This snow thrower will propel itself forward when the handle is raised enough to cause the auger blades to contact the ground. The auger should stop when auger control bar is released. If it does not stop, see “How To Adjust The Auger Control Cable” in the Maintenance section.
2. Most efficient snow throwing is accomplished when the snow is removed immediately after it falls.

OPERATION

3. For complete snow removal, slightly overlap each previous path.
4. When possible, discharge the snow down wind.
5. The distance the snow will be discharged can be adjusted by moving the discharge chute deflector. Raise the deflector for more distance or lower the deflector for less distance.
6. In windy conditions, lower the chute deflector to direct the discharged snow close to the ground where it is less likely to blow into unwanted areas.
7. For safety and to prevent damage to the snow thrower, keep the area to be cleared free of stones, toys, and other foreign objects.
8. Do not use the auger propelling feature when clearing gravel or crushed rock driveways. Move the handle down to slightly raise the auger.
9. The forward speed of the snowthrower is dependent on the depth and weight of the snow. Experience will establish the most effective method of using the snow thrower under different conditions.
10. After each snow throwing job, allow the engine to run for a few minutes. The snow and accumulated ice will melt off the engine.
11. Clean the snowthrower after each use.
12. Remove ice, snow, and debris from the entire snow thrower. Flush with water to remove all salt or other chemicals. Wipe snow thrower dry.

Dry and Average Snow

1. Snow up to eight inches deep can be removed rapidly and easily by walking at a moderate rate. For snow drifts of a greater depth, slow your pace to allow the discharge chute to dispose of the snow as rapidly as the auger receives the snow.
2. Plan to have the snow discharged in the direction the wind is blowing.

Wet Packed Snow

Move slowly into wet, packed snow. If the wet, packed snow causes the auger to slow down or the discharge chute begins to clog, back off and begin a series of short back and forth jabs into the snow. These short back and forth jabs, four to six inches, will “belch” the snow from the chute.

Snow Banks And Drifts

In snow of greater depth than the unit, use the same “jabbing” technique described above. Turn the discharge chute away from the snow bank. More time will be required to remove snow of this type than level snow.

MAINTENANCE

CUSTOMER RESPONSIBILITIES

SERVICE RECORDS Fill in dates as you complete regular service.	Before Each Use	First 2 Hours	Every 5 Hours	Every 10 Hours	Every 25 Hours	Each Season	Before Storage	SERVICE DATES
Check And Tighten All Screws and Nuts	√					√		
Check Spark Plug					√	√		
Check Drive Belt						√		
Check Fuel	√							
Drain Fuel							√	
Lubricate Chute Control Flange							√	
Check Adjustment of Auger Control Cable					√			
Auger Drive Belt					√			

NOTE: Use the following maintenance section to keep your unit in good operating condition.

All the maintenance for the engine is in the engine manufacturer's instructions. Before you start the engine, read this book.



WARNING: Before you make an inspection, adjustment (except carburetor), or repair, disconnect the wire from the spark plug.

EMISSIONS CONTROL

Maintenance, replacement, or repair of the emissions control devices and systems may be performed by any non-road engine repair establishment or individual. However, to obtain a "no charge" emissions control service, the work must be performed by a factory authorized dealer. See the Emissions Warranty.

GENERAL RECOMMENDATIONS

The warranty on this snowthrower does not cover items that have been subjected to operator abuse or negligence. To receive full value from the warranty, the operator must maintain the snow thrower as instructed in this manual.

ENGINE POWER RATING INFORMATION

The gross power rating for individual gas engine models is labeled in accordance with SAE (Society of Automotive Engineers) code J1940 (Small Engine Power & Torque Rating Procedure), and rating performance has been obtained and corrected in accordance with SAE J1995 (Revision 2002-05). Torque values are derived at 3060 RPM; horsepower values are derived at 3600 RPM. Actual gross engine power will be lower and is affected by, among other things, ambient operating conditions and engine-to-engine variability. Given both the wide array of products on which engines are placed and the variety of environmental issues applicable to operating the equipment, the gas engine will not develop the rated gross power when used in a given piece of power equipment (actual "on-site" or net power). This difference is due to a variety of factors including, but not limited to, accessories (air cleaner, exhaust, charging, cooling, carburetor, fuel pump, etc.), application limitations, ambient operating conditions (temperature, humidity, altitude), and engine-to-engine variability. Due to manufacturing and capacity limitations, Briggs & Stratton may substitute an engine of higher rated power for this Series engine.

MAINTENANCE

AFTER EACH USE

- Check for any loose or damaged parts.
- Tighten any loose fasteners.
- Check and maintain the auger.
- Check controls to make sure they are functioning properly.
- If any parts are worn or damaged, replace immediately.
- Check all safety and instruction decals and labels. Replace any decals or labels that are missing or cannot be clearly read.

HOW TO REMOVE THE TOP COVER

1. **(Figure 5)** Remove the discharge chute (1).
2. Remove the fuel cap.
3. Remove the two nuts and bolts (2) from the front of the top cover (3).
4. Remove the two bolts (4) from the left and right of the top cover (3).
5. Remove the eight screws (5) on the left and right side of the top cover.
6. Remove the three screws (6) from the top portion of the control panel.

7. Carefully pull the rear of the top cover (4) up and over the gas tank.
8. To install the top cover (4), reverse the above steps.

LUBRICATION BEFORE STORAGE

(Figure 5) Lubricate the chute control flange (7). Apply a clinging type of grease such as Lubriplate.

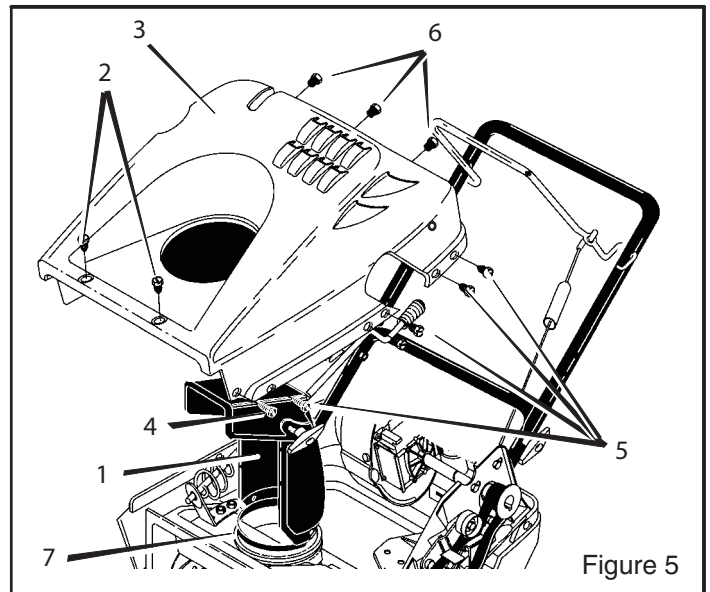


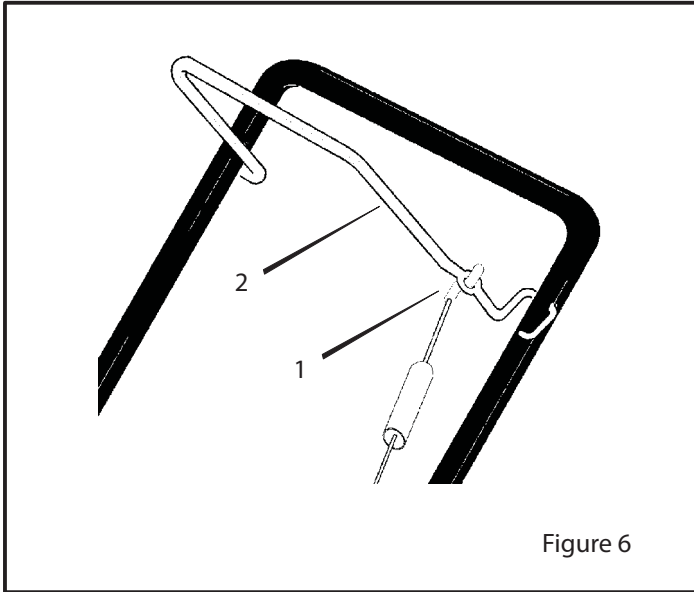
Figure 5

MAINTENANCE

HOW TO ADJUST THE AUGER CONTROL CABLE

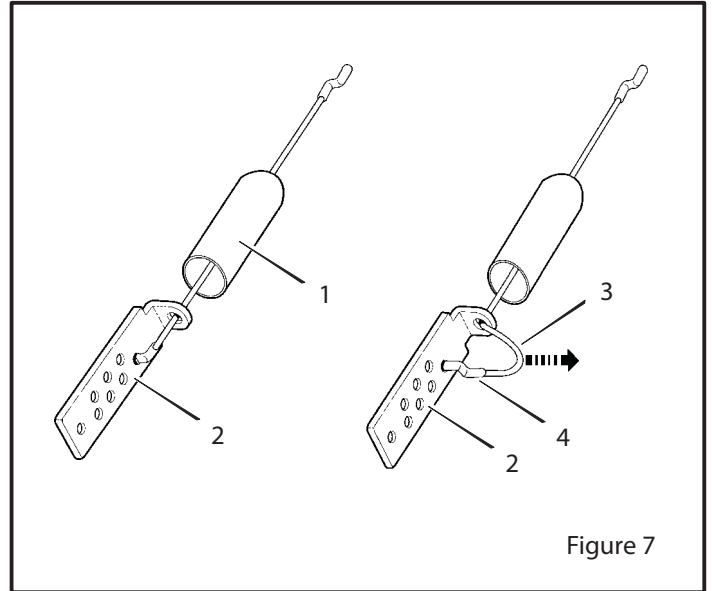
The auger control is adjusted at the factory. During normal use, the auger control cable can become stretched and the auger drive lever will not properly engage or disengage the auger.

1. **(Figure 6)** Remove the "Z" hook (1) from the auger drive lever (2).



2. **(Figure 7)** Slide the cable boot (1) off the cable adjustment bracket (2).
3. Push the bottom of the auger control cable (3) through the cable adjustment bracket (2) until the "Z" hook (6) can be removed.
4. Remove the "Z" hook (4) from the cable adjustment bracket (2). Move the "Z" hook (4) down to the next adjustment hole.
5. Pull the auger control cable (3) up through the cable adjustment bracket (2).
6. Put the cable boot (1) over the cable adjustment bracket (2).

7. **(Figure 6)** Install the "Z" hook (1) to the auger drive lever (2).
8. To check the adjustment, start the snowthrower. Make sure the auger does not rotate when the auger drive is released.



HOW TO REMOVE THE BELT COVER

1. **(Figure 8)** If equipped, remove the heat shield (1) from the rear of the belt cover (2).
2. Remove the four bolts and nuts (3) holding the belt cover (2) to the auger housing.
3. Remove the one screw (4) holding the belt cover (2) to the bottom cover (5).
4. To remove, hold the bottom portion of the belt cover (2) and pull down and out.
5. To install the belt cover (2), reverse the above steps.

MAINTENANCE

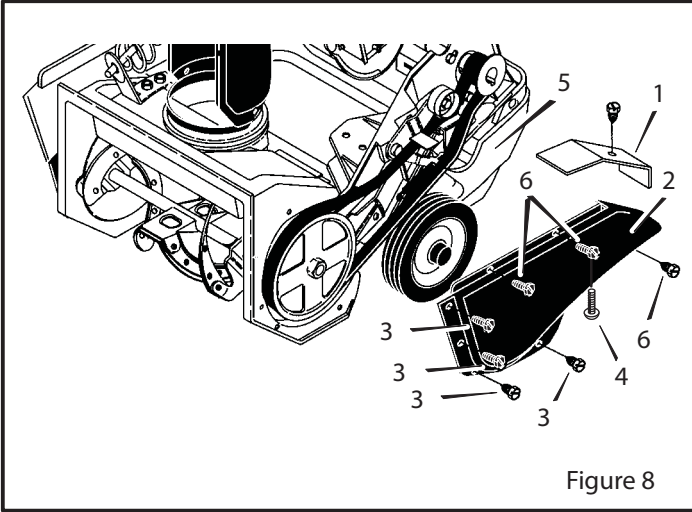


Figure 8

HOW TO REPLACE THE DRIVE BELT

The drive belt is of special construction and must be replaced with original factory replacement belt available from your nearest authorized service center.

1. Remove the belt cover. See "How To Remove The Belt Cover."
2. **(Figure 9)** Remove the drive belt (1) from the idler pulley (2).

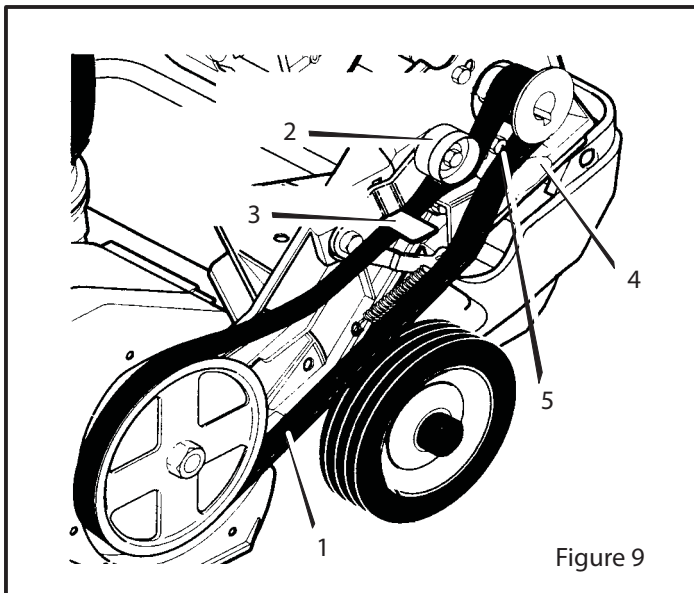


Figure 9

3. Move the belt guide (4) away from the drive belt (1).
4. To reduce pressure on the drive belt (1), move the idler pulley (2) away from the drive belt (1). Remove the drive belt (1) from between the brake pad (3) and the roller (5).
5. Remove the old drive belt (1).
6. To install the new drive belt (1), reverse the above steps.
7. Make sure the drive belt (1) is seated properly on the pulleys.
8. **(Figure 10)** Set the belt guide (1) to 3/32" clearance.

NOTE: When the auger control lever is engaged, the belt guide (1) must be 3/32" (2 mm) from the drive belt (2).

9. Install the belt cover. See "How To Remove The Belt Cover."

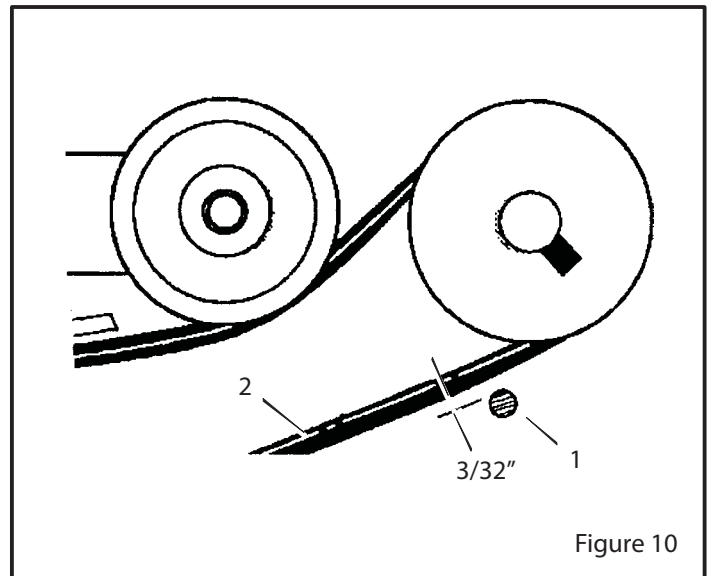
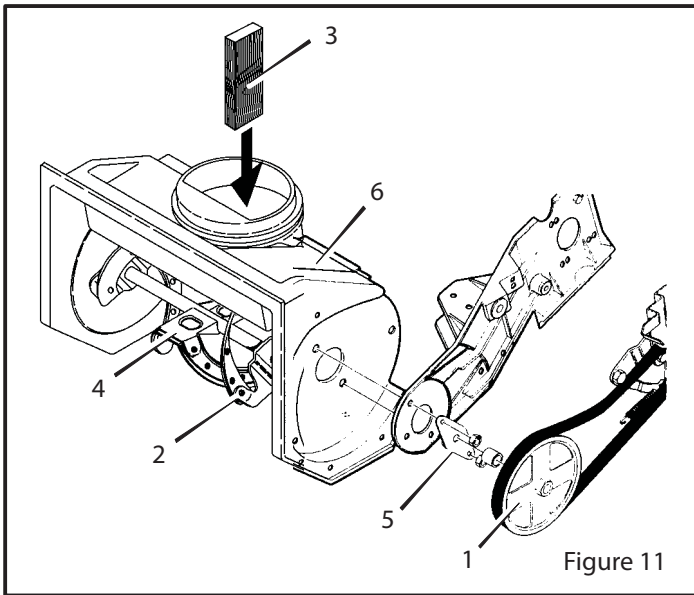


Figure 10

MAINTENANCE

HOW TO REPLACE THE AUGER

1. Remove the belt cover. See “How To Remove The Belt Cover.”
2. Remove the drive belt. See “How To Replace The Drive Belt.”

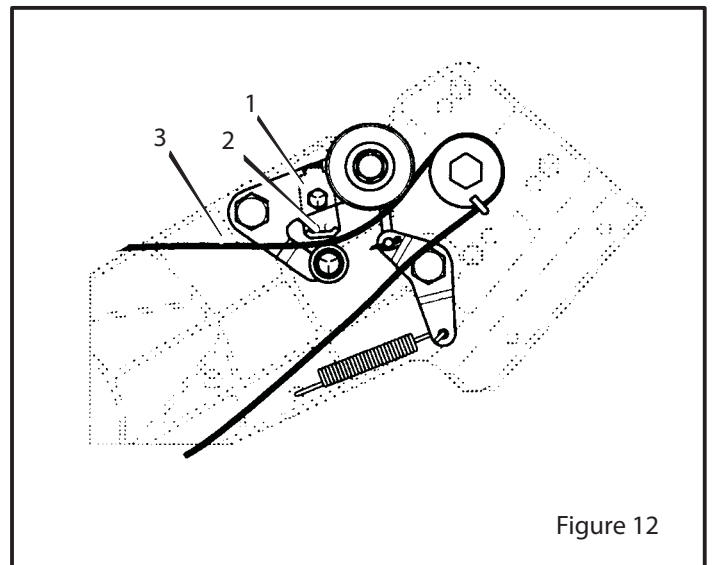


3. **(Figure 11)** Remove the auger pulley (1) from the auger shaft (threads are left hand; turn clockwise to remove).
4. To keep the auger (2) from rotating, set a 2" x 4" piece of wood (3) on the center paddle (4) to secure the auger (2).
5. Remove the fasteners from the bearing assembly (4). Remove the bearing assembly (4) from the auger housing (5).
6. Slide the auger (2) out the bearing assembly on the right side of the snow thrower.
7. Tip the auger (2) enough to allow the auger (2) to slide out of the auger housing (6).
8. To install auger (2), reverse the above steps.

HOW TO ADJUST THE BRAKE PAD

IMPORTANT: An adjustment is only necessary if the brake pad has become loose or has been removed. To adjust, proceed as follows:

1. Remove the top cover. See “How To Remove The Top Cover.”
2. Remove the belt cover. See “How To Remove The Belt Cover.”
3. Tie the auger drive lever to the handle. This will engage the drive system.
4. **(Figure 12)** Loosen the screw and nut that secure the brake pad arm (1).
5. Set the clearance between the brake pad (2) and the drive belt (3) to 1/8 inch (3 mm).
6. Tighten the screw and nut that secure the brake pad arm (1).
7. Connect the wire to the spark plug.



MAINTENANCE

HOW TO REPLACE THE SPARK PLUG

NOTE: This spark plug ignition system meets all requirements of the Canadian Interference-Causing Equipment Regulations (ICES-002).

NOTE: This engine complies with all current Australian and New Zealand limitations electromagnetic interference.

The spark plug is housed in the engine compartment under the top cover and cannot be seen under normal conditions.

1. **(Figure 13)** Open the spark plug access door (1) on the control panel.
2. The spark plug and wire are now visible.
3. Remove the spark plug wire.
4. Clean the area around the spark plug base to prevent dirt from entering the engine when the spark plug is removed.
5. Remove the spark plug.



Figure 13

6. Check the spark plug. If the spark plug is cracked, fouled, or dirty, it must be replaced.
7. **(Figure 14)** Set the gap between the electrodes of the new spark plug at .030 inch. Next, install the spark plug in the cylinder head and firmly tighten. Recommended torque is 18 to 20 ft-lbs.

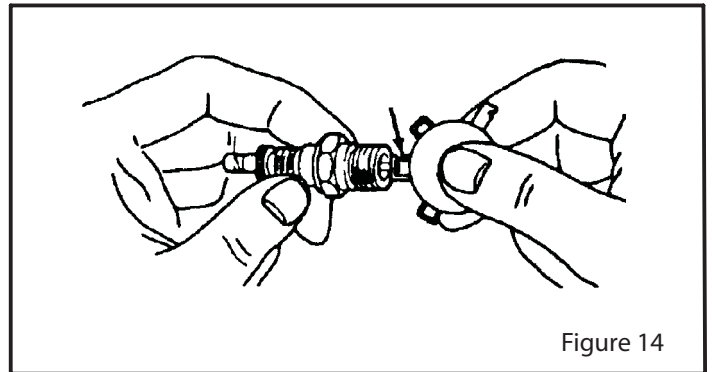


Figure 14

HOW TO PREPARE THE SNOWTHROWER FOR STORAGE

WARNING: Before you make an inspection, adjustment (except carburetor), or repair, disconnect the wire from the spark plug.

1. Drain the fuel tank.
2. Let the engine run until it is out of gasoline or petrol.
3. Remove the spark plug from the cylinder.
 - a. Pour one ounce of oil into the cylinder.
 - b. Slow pull the recoil-start grip so that the oil will protect the cylinder.
 - c. Install a new spark plug in the cylinder.
4. Thoroughly clean the snow thrower.
5. Lubricate all lubrication points. See the Maintenance section.

MAINTENANCE

6. Be sure that all nuts, bolts, and screws are securely fastened. Inspect all visible moving parts for damage, breakage, and wear. Replace if necessary.
7. Cover the bare metal parts of the blower housing and auger with spray rust preventative lubricant.
8. Put the unit in a building that has good ventilation.
9. If the machine must be stored outdoors, block up the snow thrower to be sure the entire machine is off the ground.
10. Cover the snow thrower with a suitable protective cover that does not retain moisture. Do not use plastic.

HOW TO ORDER REPLACEMENT PARTS

Use only manufacturer's authorized or approved replacement parts. Do not use attachments or accessories not specifically recommended for this unit. In order to obtain proper replacement you must supply the model number (see nameplate).

Warranty service is available only through Authorized Service Dealers.

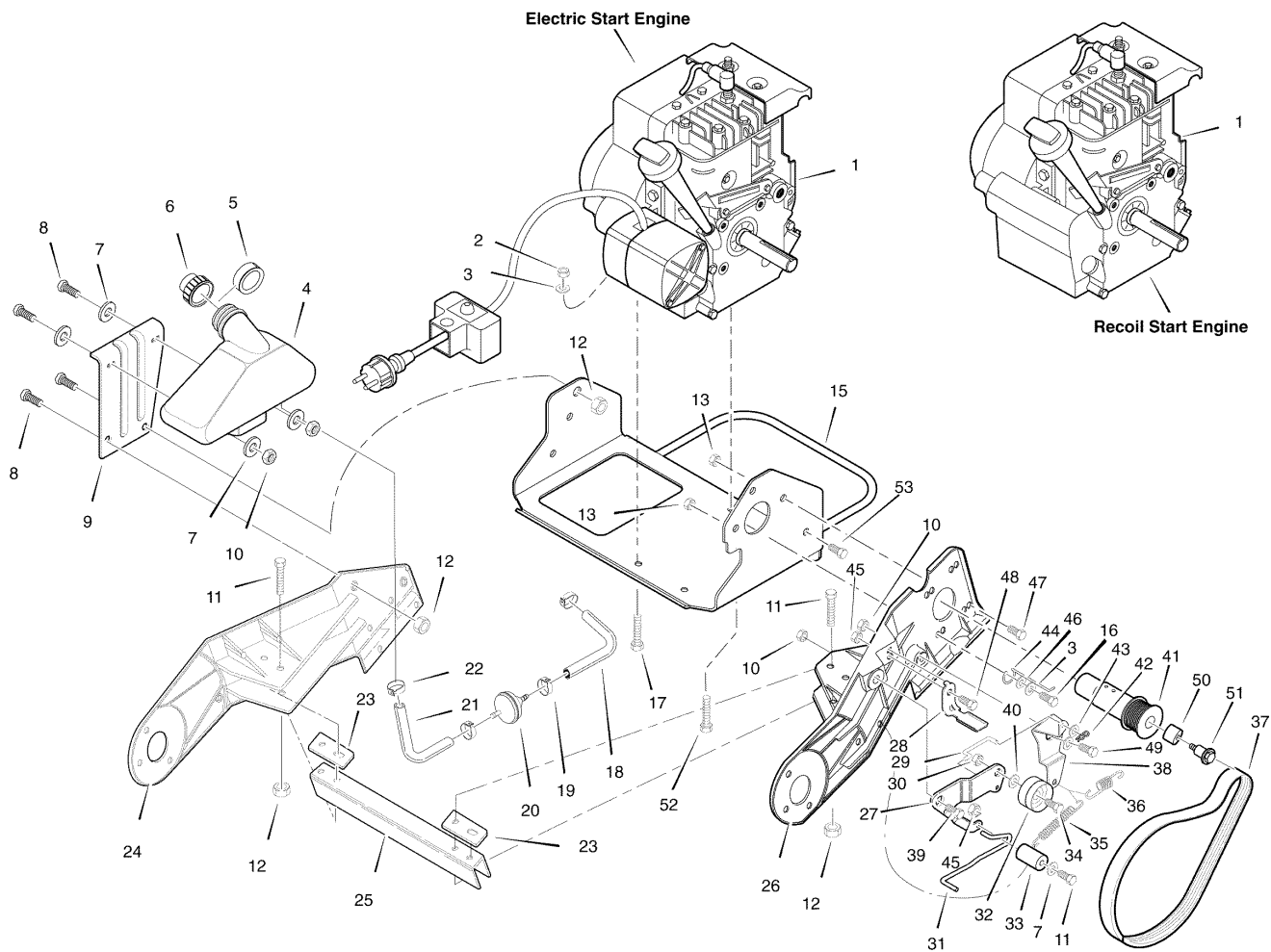
TROUBLESHOOTING CHART

Trouble	Cause	Correction
Difficulty starting	Defective spark plug.	Replace spark plug.
	Water or dirt in fuel system.	Use carburetor bowl drain to flush and refill with fresh fuel.
Engine runs erratic	Blocked fuel line, empty gas tank, or stale gasoline/petrol.	Clean fuel line; check fuel supply; add fresh fuel.
Engine stalls	Unit running on CHOKE.	Set choke lever to RUN position.
Engine runs erratic; loss of power	Water or dirt in fuel system.	Use carburetor bowl drain to flush and refill with fresh fuel.
Excessive vibration	Loose parts; damaged impeller.	Stop engine immediately and disconnect spark plug wire. Tighten all bolts and make all necessary repairs. If vibration continues, have the unit serviced by a competent repairman.
Unit fails to propel itself	Drive belt loose or damaged.	Replace drive belt.
Unit fails to discharge snow	Auger drive belt loose or damaged.	Adjust auger drive belt; replaced if damaged.
	Auger control cable not adjusted correctly.	Adjust auger control cable.
	Discharge chute clogged.	Stop engine immediately and disconnect spark plug. Clean discharge chute and inside of auger housing.
	Foreign object lodged in auger.	Stop engine immediately and disconnect spark plug wire. Remove object from auger.

Engine And Frame Assembly

0003

NOTE: Unless noted otherwise,
use the standard hardware torque
specification chart.



The above parts group applies to the following Mfg. Nos.:

6210530x37NA 5021R
6210540x37NA 5021E

Engine And Frame Assembly

REF NO	PART NO.	DESCRIPTION
1	----	ENGINE (09A413-0202-E1 FOR MODEL NO. 6210540X37NA-ELECTRIC STARTER)
1	----	ENGINE (09A412-0267-E1 FOR MODEL NO. 6210530X37NA-RECOIL STARTER)
2	601 50 51 29	NUT, 5/16-18
3	601 40 00 79	WASHER, SPLIT LOCK .31 X .58 X .08
4	601 50 51 30	TANK, FUEL 1.5 QT
5	601 50 51 31	RING, FOAM FUEL TANK
6	601 50 51 32	FUEL CAP
7	601 40 00 80	WASHER, FLAT .281 X .63. X .065
8	601 50 51 33	SCREW, 1/4-20 X 0.75
9	601 50 51 34	BRACKET, FUEL TANK
10	601 00 14 19	NUT, 8-32 HEX KEPS
11	601 00 13 48	SCREW, 1/4-20 X 2.00
12	601 50 51 35	NUT, 1/4-20 HEX
13	601 40 00 85	NUT, 5/16-18 HEX CONTROL LOCK
15	601 50 51 36	CRADLE, WELDMENT
16	601 00 00 73	BOLT, 5/16-18 X 0.75
17	601 50 51 37	BOLT, HEX .31-18 X 1.62
18	601 50 51 38	HOSE, FUEL
19	601 00 17 79	CLAMP, HOSE
20	601 50 51 39	FILTER- FUEL
21	601 50 51 38	HOSE, FUEL
22	601 40 00 65	CLAMP, SCREW TYPE
23	601 50 51 41	PLATE, SUPPORT
24	601 50 51 42	FRAME, RIGHT HAND
25	601 50 51 43	CHANNEL, FRAME SUPPORT
26	601 50 51 44	FRAME, LEFT HAND
27	601 00 13 31	ARM, IDLER BLACK
28	601 00 16 94	BRAKE PAD
29	601 00 13 37	ROD, CLUTCH LINKAGE
30	601 40 00 75	NUT, 3/8-16 JAM CONTROL LOCK
31	601 50 51 45	WIRE, BRAKE
32	601 00 13 33	PULLEY, IDLER
33	601 50 51 46	PINCH ROLLER
34	601 00 13 34	SCREW, 3/8-16 X 1.50
35	601 00 13 30	SPRING, EXTENSION .38 O.D. X .039 X 2.50
36	601 00 13 96	SPRING, EXTENSION .75 O.D. X .069 X 2.00
37	601 00 20 81	BELT
38	601 00 13 28	ARM, IDLER PIVOT
39	601 00 13 29	BOLT, SHOULDER .500 X .177
40	601 50 51 50	WASHER, FLAT .378 X .75 X .080
41	601 50 51 51	PULLEY, ENGINE
42	601 00 00 26	PIN, COTTER
43	601 00 05 33	WASHER, FLAT
44	601 50 51 64	GUIDE, BELT
45	601 40 00 86	NUT, 1/4-20 HEX CONTROL LOCK

Footnotes

The above parts group applies to the following Mfg. Nos.:

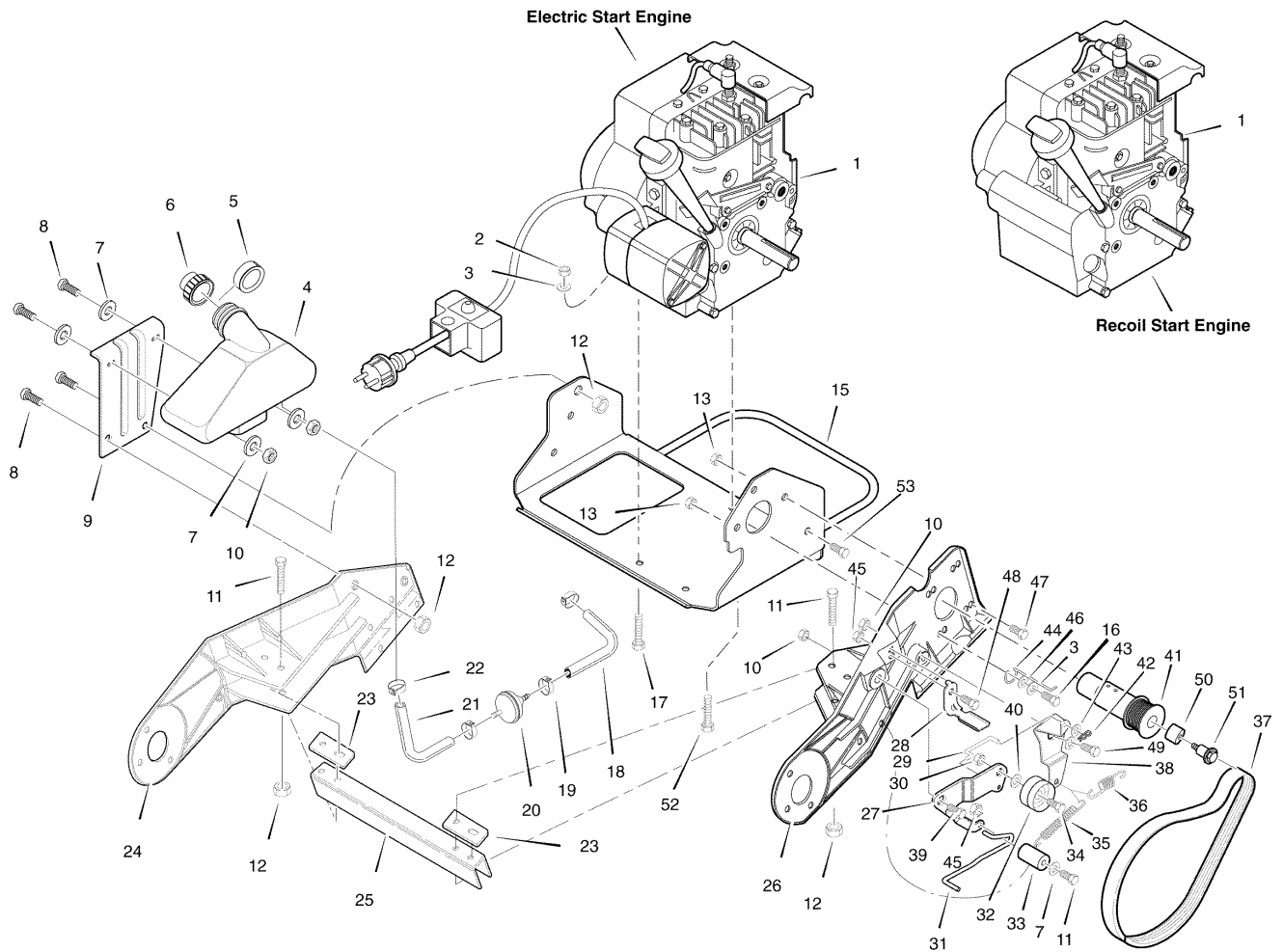
6210530x37NA 5021R

6210540x37NA 5021E

Engine And Frame Assembly

0003

NOTE: Unless noted otherwise,
use the standard hardware torque
specification chart.



The above parts group applies to the following Mfg. Nos.:

6210530x37NA 5021R

6210540x37NA 5021E

Engine And Frame Assembly

REF NO	PART NO.	DESCRIPTION
46	601 40 00 81	WASHER, FLAT .349 X .69 X .066
47	601 00 10 06	SCREW 5/16-18 X 0.63 WAHHC
48	601 40 00 73	SCREW, 1/4-20 X 0.63
49	601 00 14 18	SCREW, 8-32 X 3.00
50	601 50 51 61	SPACER, DRIVE PULLEY
51	601 50 51 62	BOLT, ENGINE PULLEY, 1/4-28 X 1.28
52	601 50 51 63	BOLT, 5/16-18 X 0.865
53	601 00 14 45	SCREW, .25-20 X .062 WASHER HEX HEAD TAPTITE

Footnotes

The above parts group applies to the following Mfg. Nos.:

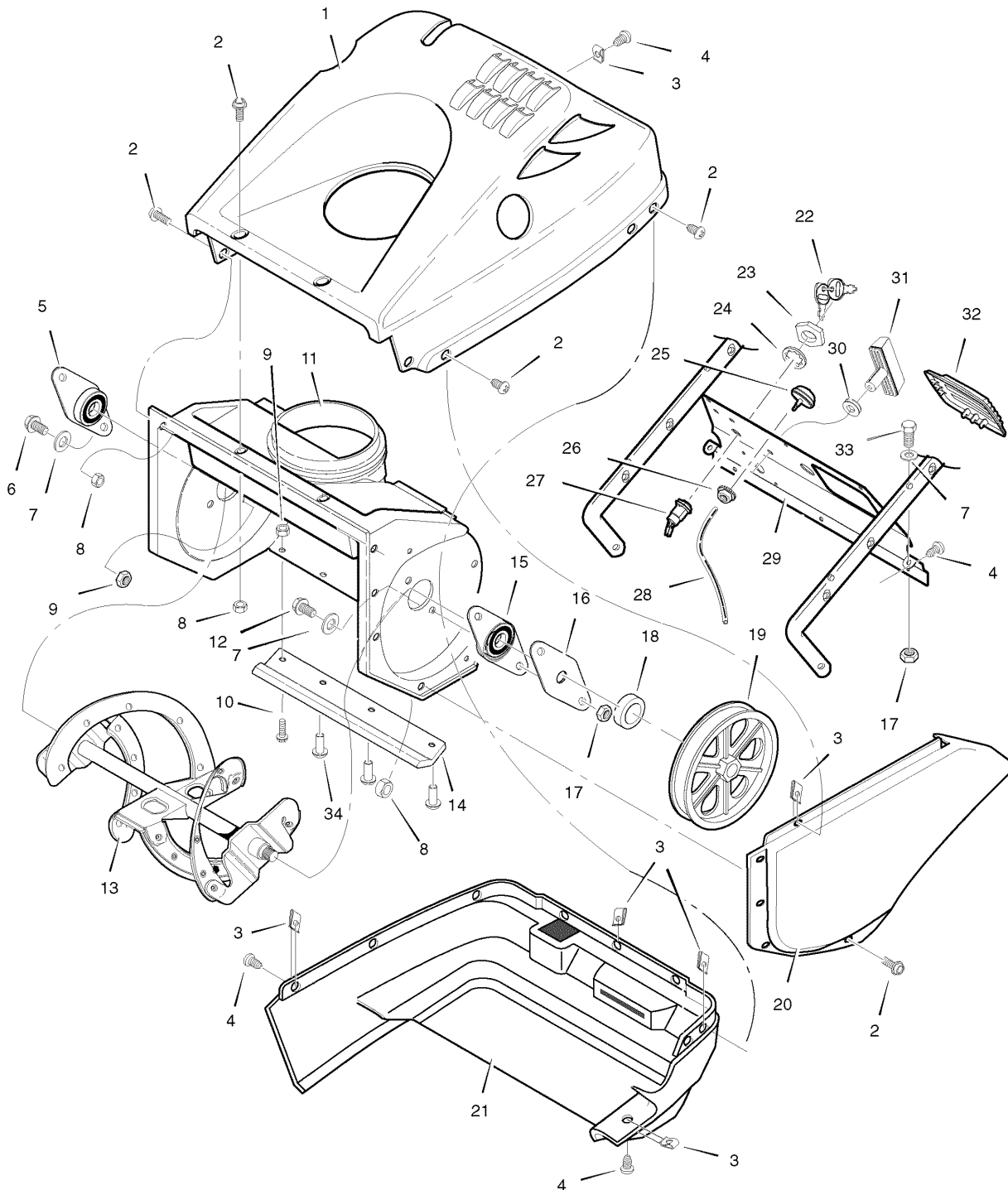
6210530x37NA 5021R

6210540x37NA 5021E

Auger And Control Assembly

0005

NOTE: Unless noted otherwise,
use the standard hardware torque
specification chart.



The above parts group applies to the following Mfg. Nos.:

6210530x37NA 5021R

6210540x37NA 5021E

Auger And Control Assembly

REF NO	PART NO.	DESCRIPTION
1	601 50 51 47	COVER, TOP
2	601 40 00 02	SCREW, #10-24 X 0.50
3	601 50 51 48	NUT, 1/4-10 SPEED J-TYPE
4	601 50 51 49	SCREW, 1/4-14 X 0.75
5	601 00 21 53	BEARING, FLANGE
6	601 50 51 52	SCREW, 1/4-20 X 1.00
7	601 40 00 80	WASHER, FLAT, .281 X .63 X .065
8	601 50 51 53	NUT, #10-24 HEX CONTROL LOCK
9	601 50 51 54	NUT, 1/4-20 HEX CONTROL LOCK
10	601 50 51 33	SCREW, 1/4-20 X 0.75
11	601 50 51 56	AUGER HOUSING ASSEMBLY
12	601 40 00 73	SCREW, 1/4-20 X 0.63
13	601 50 51 57	AUGER ASSEMBLY, COMPLETE
14	601 50 51 58	BLADE, SCRAPER
15	601 40 00 74	PLATE & BEARING ASSY
16	601 00 13 81	PLATE, RETAINER BEARING
17	601 40 00 86	NUT, 1/4-20 HEX CONTROL LOCK
18	601 00 20 87	SPACER, SLEEVE
19	601 00 20 95	PULLEY
20	601 50 51 59	COVER, BELT
21	601 50 51 60	COVER, BOTTOM
22	601 40 00 76	KEY SET
23	601 00 01 11	NUT, 5/8-32
24	601 40 00 44	WASHER, .640 X 1.1 X .05
25	601 50 51 89	PRIMER, CARBURETOR
26	601 00 01 02	NUT, 1/-20 HEX KEPS
27	601 00 13 58	SWITCH, IGNITION 45 DEGREE
28	601 50 51 65	HOSE, PRIMER 9.5"
29	601 50 51 66	PANEL, CONTROL
30	601 40 00 70	GROMMET & WASHER, ROPE
31	601 50 51 40	GRIP, STARTER ROPE
32	601 50 51 68	PANEL, ACCESS
33	601 50 51 69	SCREW, 1/4-20 X 1.25
34	601 00 13 78	RIVET, OFFSET, .25 X .61

Footnotes

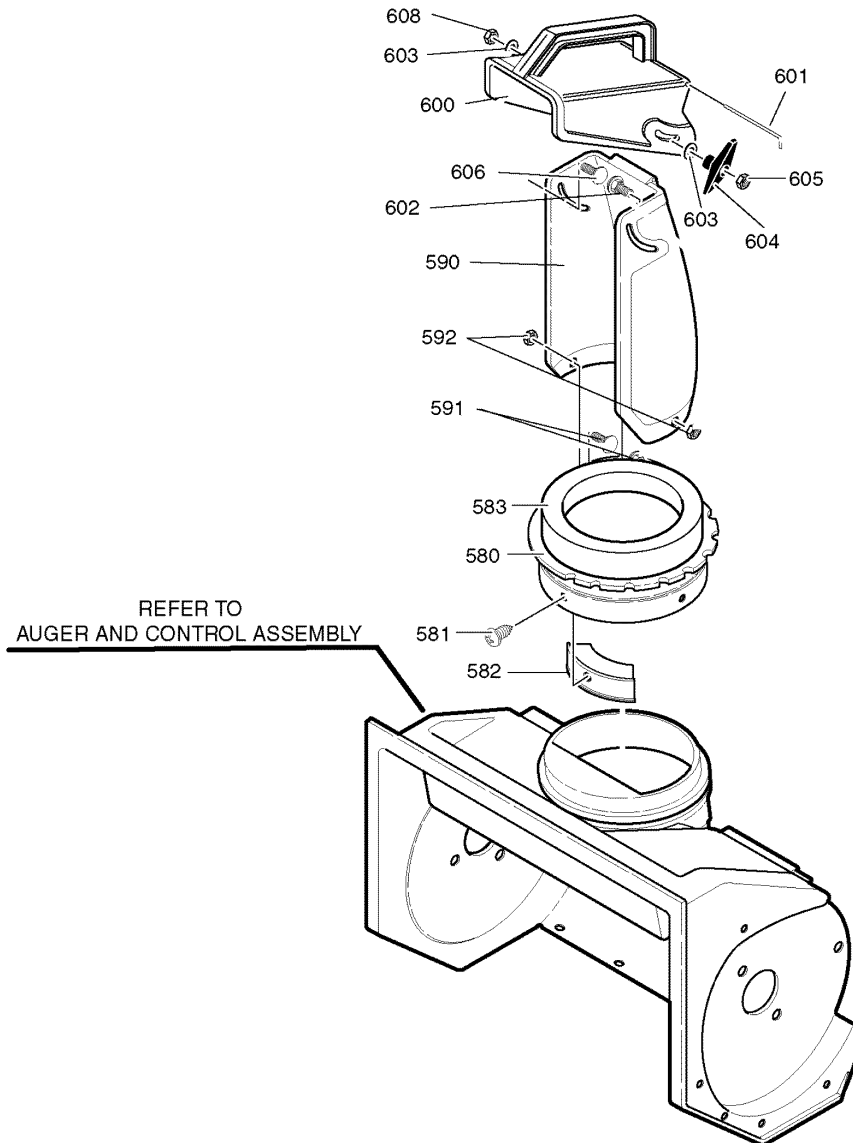
The above parts group applies to the following Mfg. Nos.:

6210530x37NA 5021R
6210540x37NA 5021E

Discharge Chute

0007

NOTE: Unless noted otherwise,
use the standard hardware torque
specification chart.



The above parts group applies to the following Mfg. Nos.:

6210530x37NA 5021R

6210540x37NA 5021E

Discharge Chute

REF NO	PART NO.	DESCRIPTION
580	601 50 51 87	CHUTE RING
581	601 50 51 88	SCREW, #10 X .50
582	601 00 13 86	GUIDE, CHUTE
583	601 50 51 90	DONUT, FOAM 21 PLAST A
590	601 50 51 91	CHUTE, DEFLECTOR LOWER
591	601 50 51 33	SCREW 1/4-20 X .75
592	601 50 51 54	NUT, 1/4-20, HEX CONTROL LOCK
600	601 50 51 94	CHUTE DELFECTOR, UPPER
601	601 00 13 89	WIRE FORM, HINGE 5.75
602	601 00 13 90	BOLT, 5/16-18 X 1.25 CARRIAGE
603	601 40 00 81	WASHER, FLAT .349 X .69 X .066
604	601 40 00 69	KNOB, WING
605	601 50 51 29	NUT, 5/16-18
606	601 00 20 38	SCREW, 5/16-18 X .75
608	601 40 00 85	NUT, 5/16-18, HEX CONTROL LOCK

Footnotes

The above parts group applies to the following Mfg. Nos.:

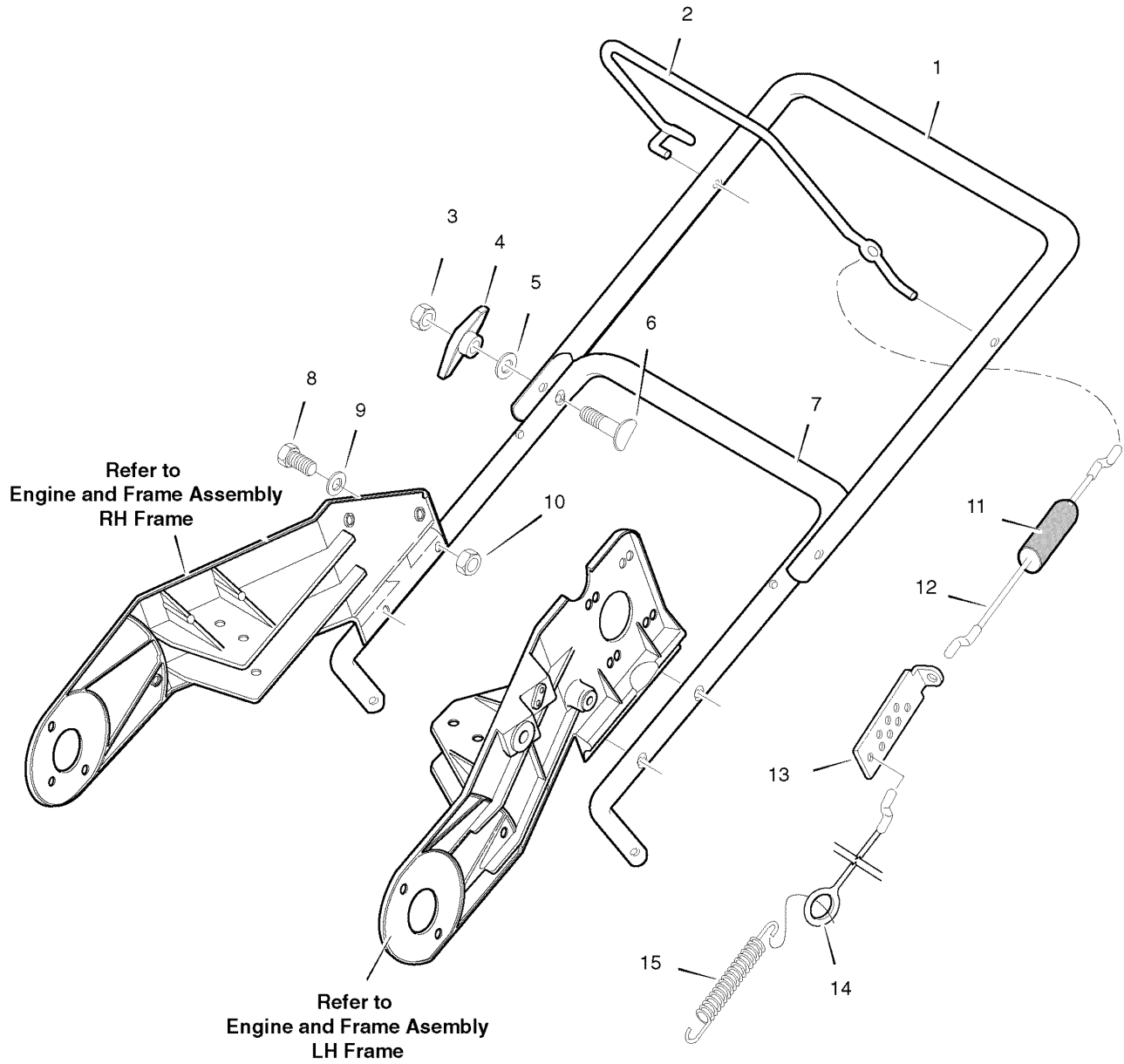
6210530x37NA 5021R

6210540x37NA 5021E

Handle Assembly

0011

NOTE: Unless noted otherwise,
use the standard hardware torque
specification chart.



The above parts group applies to the following Mfg. Nos.:

6210530x37NA 5021R

6210540x37NA 5021E

Handle Assembly

REF NO	PART NO.	DESCRIPTION
1	601 50 51 96	HANDLE, UPPER
2	601 50 51 97	BAIL, CONTROL
3	601 50 51 29	NUT, 5/16-18 HEX
4	601 40 00 69	KNOB, WING
5	601 00 24 13	WASHER, FORM .344 I.D.
6	601 00 21 50	BOLT, 5/16-18 X 2.00
7	601 50 51 99	HANDLE, LOWER
8	601 50 51 69	SCREW, 1/4-20 X 1.25
9	601 40 00 80	WASHER, FLAT .281 X .63 X .065
10	601 40 00 86	NUT, .25-20 HEX CONTROL LOCK
11	601 00 13 95	BOOT, CLUTCH SPRING
12	601 00 13 92	CABLE, UPPER CONTROL
13	601 00 13 93	BRACKET, CABLE ADJUST
14	601 00 13 94	CABLE, LOWER CONTROL
15	601 00 13 96	SPRING, EXTENSION .75 O.D. X .069 X 2.00

Footnotes

The above parts group applies to the following Mfg. Nos.:

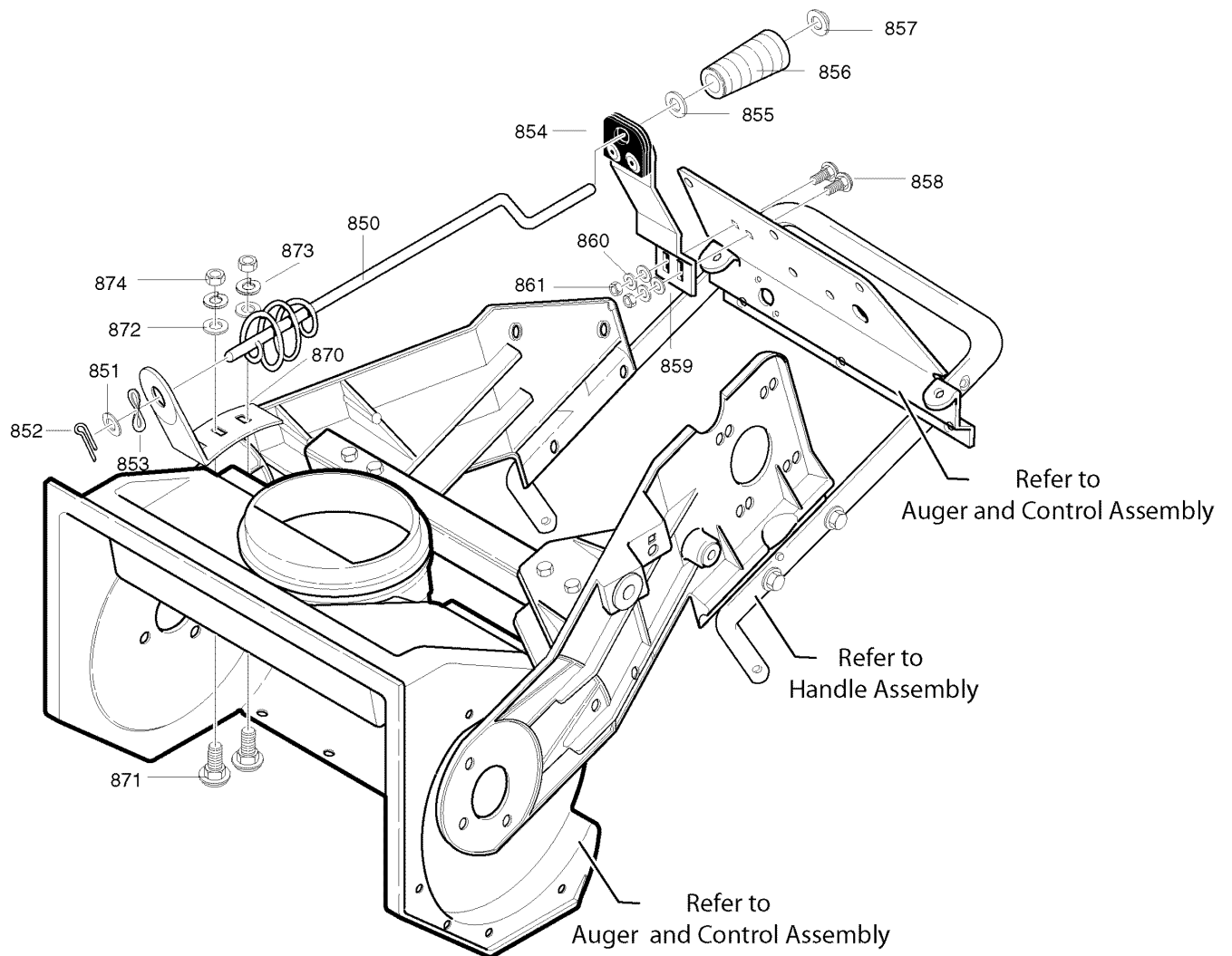
6210530x37NA 5021R

6210540x37NA 5021E

Chute Rod Assembly

NOTE: Unless noted otherwise,
use the standard hardware torque
specification chart.

0009



The above parts group applies to the following Mfg. Nos.:

6210530x37NA 5021R

6210540x37NA 5021E

Chute Rod Assembly

REF NO	PART NO.	DESCRIPTION
850	601 50 51 80	ROD, CHUTE
851	601 40 00 82	WASHER, FLAT .406 X .81 X .066
852	601 50 51 81	PIN, COTTER
853	601 00 14 04	WASHER, CURVED SPRING
854	601 50 51 82	ASSY, CHUTE CRANK BRACKET
855	601 40 00 82	WASHER, FLAT .406 X.81 X .066
856	601 00 14 05	KNOB, SLEEVE
857	601 00 18 17	NUT, PUSH
858	601 50 51 83	BOLT, 1/4-20 X .63 CARRIAGE
859	601 40 00 81	WASHER, FLAT .349 X .69 X .065
860	601 40 00 79	WASHER, SPLIT LOCK .31 X .58 X .08
861	601 50 51 35	NUT, 1/4-20 HEX
870	601 50 51 85	BRKT, CHUTE ROTATE
871	601 00 14 11	BOLT, 5/16-18 X .75 CARRIAGE
872	601 40 00 81	WASHER, FLAT .349 X .69 X .065
873	601 40 00 79	WASHER, SPLIT LOCK .31 X .58 X .08
874	601 50 51 29	NUT, 5/16-18 HEX

Footnotes

The above parts group applies to the following Mfg. Nos.:

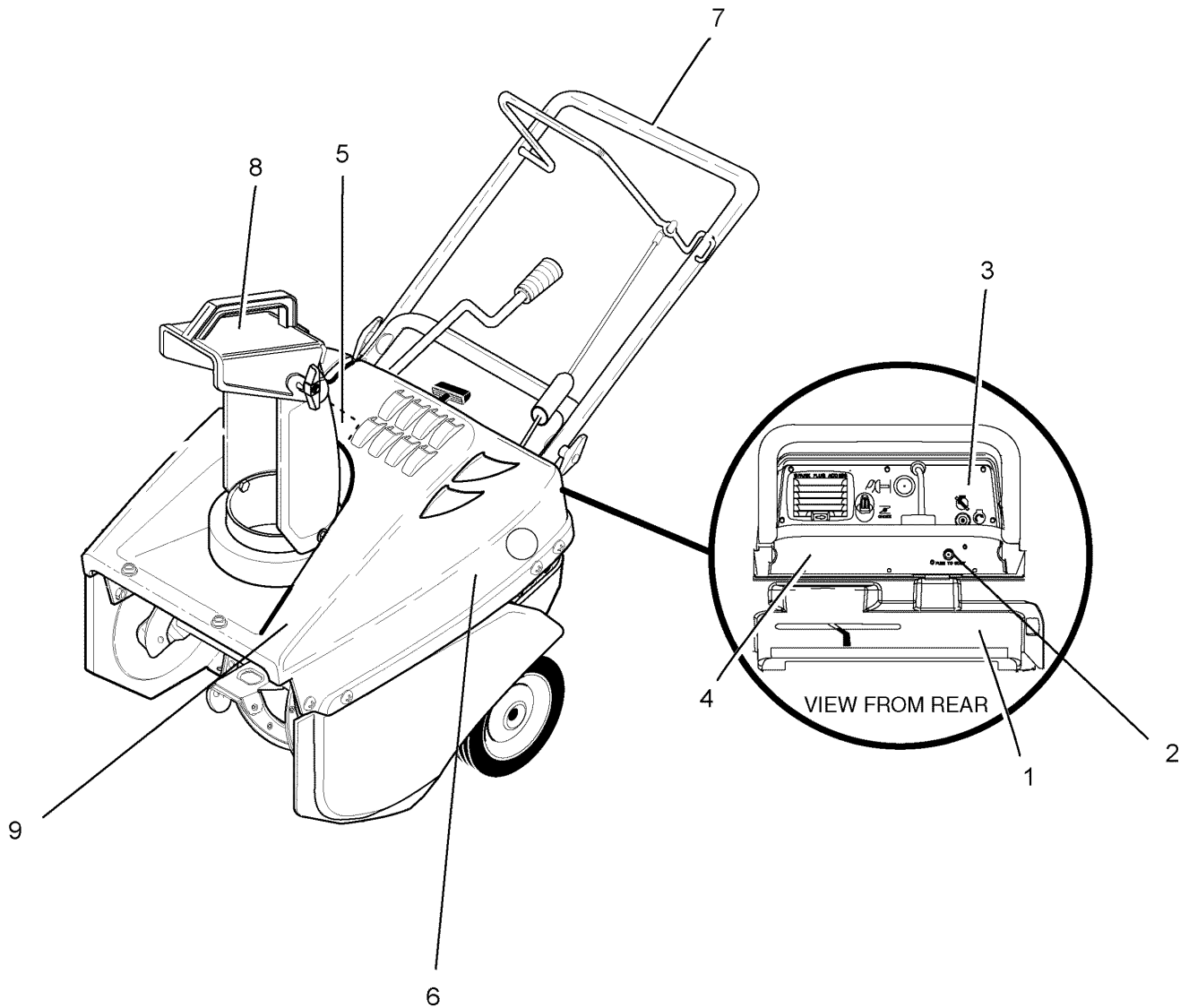
6210530x37NA 5021R

6210540x37NA 5021E

Decals

NOTE: Unless noted otherwise,
use the standard hardware torque
specification chart.

0015



The above parts group applies to the following Mfg. Nos.:

6210530x37NA 5021R

6210540x37NA 5021E

Decals

REF NO	PART NO.	DESCRIPTION
1	----	* DECAL, EPA, MASS
2	601 50 51 75	DECAL, ELECTRIC START, COVER UP (Used on Model 6210530x37NA 5021R Only)
2	601 50 52 01	DECAL, ELECTRIC START (Used on Model 6210540x37NA 5021E Only)
3	601 50 51 55	DECAL, DASH PANEL (Used on Model 6210530x37NA 5021R Only)
3	601 50 52 03	DECAL, DASH PANEL (Used on Model 6210540x37NA 5021E Only)
4	601 40 00 11	DECAL, HUSQVARNA
5	601 40 00 16	DECAL, HUSQVARNA 5021R (Used on Model 6210530x37NA 5021R Only)
5	601 40 00 15	DECAL, HUSQVARNA 5021E (Used on Model 6210540x37NA 5021E Only)
6	601 40 00 77	DECAL, WARNING HOT MUFFLER
7	601 50 51 79	DECAL, AUGER CONTROL
8	601 40 00 67	DECAL, DANGER CHUTE
9	601 00 23 29	DECAL, DANGER AUGER, FOOT

Footnotes

Note * Not a serviceable part.

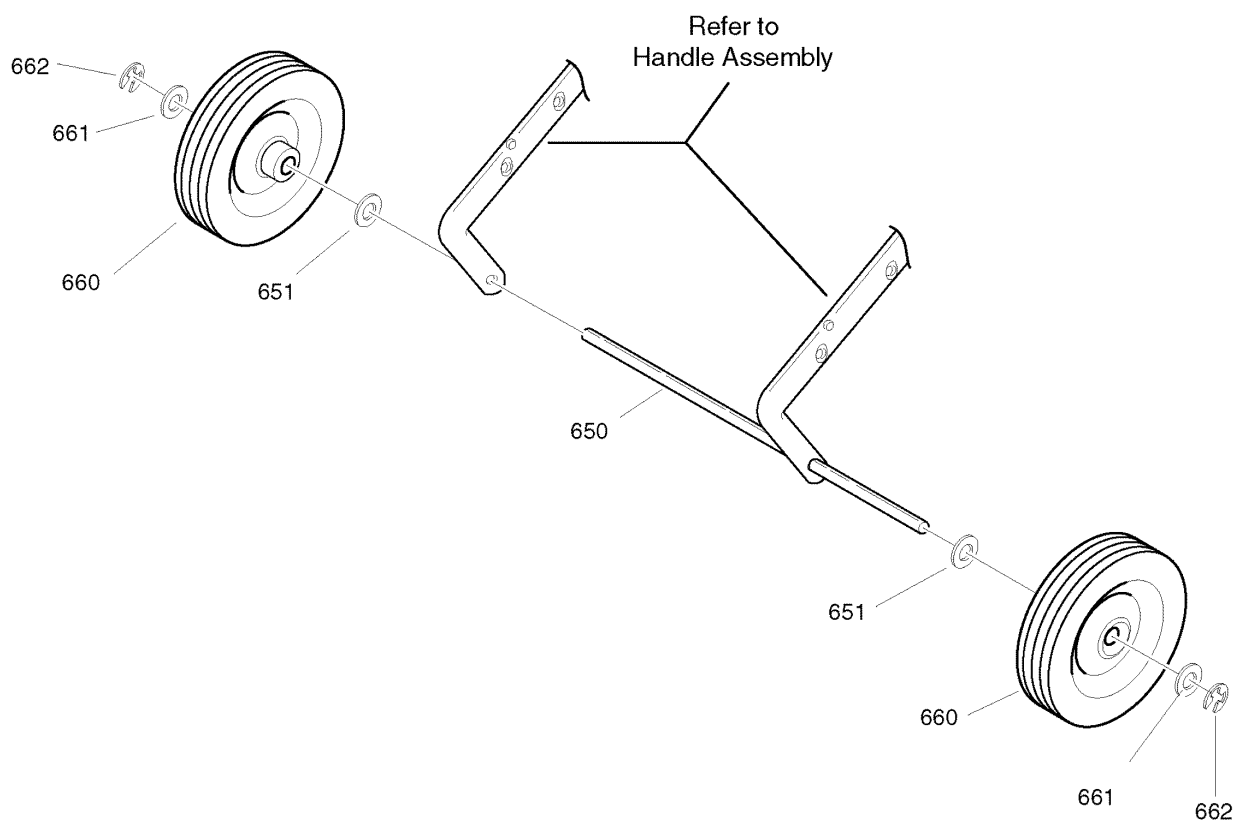
The above parts group applies to the following Mfg. Nos.:

6210530x37NA 5021R
6210540x37NA 5021E

Wheels

0013

NOTE: Unless noted otherwise,
use the standard hardware torque
specification chart.



The above parts group applies to the following Mfg. Nos.:

6210530x37NA 5021R

6210540x37NA 5021E

Wheels

REF NO	PART NO.	DESCRIPTION
650	601 50 51 70	AXLE, 20.53 WHEEL 20/21
651	601 50 51 71	WASHER, FLAT .391 X 1.00 X .125
660	601 50 51 72	TIRE & RIM 7 X 1.50
661	601 50 51 71	WASHER, FLAT .391 X 1.00 X .125
662	601 40 00 72	RING, RETAINER E

Footnotes

The above parts group applies to the following Mfg. Nos.:

6210530x37NA 5021R

6210540x37NA 5021E