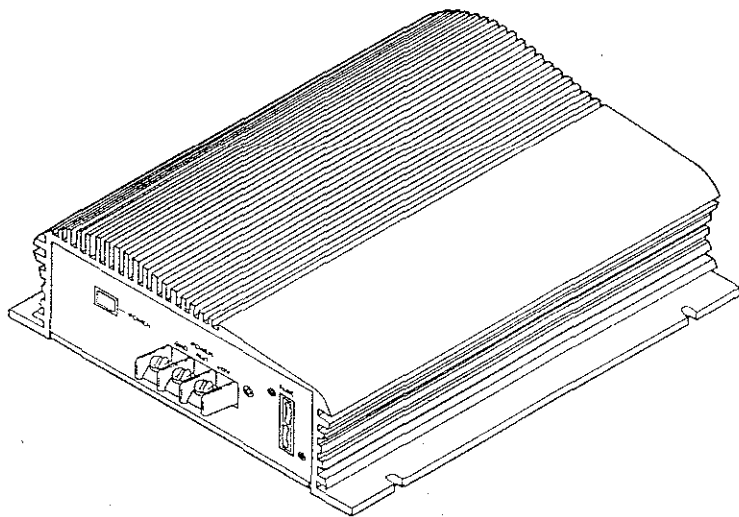


JENSEN®



A222HLX Power Amplifier

2x50 WATTS RMS POWER
2 CHANNEL
INPUT SENSITIVITY CONTROL
2-8 OHM OPERATION
HIGH/LOW LEVEL INPUTS

**Owner's Manual
and Installation Instructions**

Technical Assistance

For technical assistance with the operation or installation
of the A222HLX, call 1-800-323-0221

Thank You

Thank you for buying a Jensen product. Congratulations on your investment in quality sound reproduction for your car. Please read this manual before installation and operation.

Easy Operation

Jensen products are simple and easy to operate. This manual explains how to use the A222HLX for maximum enjoyment.

Installation

For proper operation, it's very important that the unit be installed correctly. We tried to make our step-by-step instructions as clear as possible, but we don't know about any unusual circumstances you may encounter. Most installations are straightforward and can be handled by a do-it-yourselfer with reasonable tools, patience, and the ability to follow instructions. However, if you lack one or two of these requirements, consider turning the installation job over to an authorized Jensen dealer/installer.

Technical Assistance

For technical assistance with the operation or installation of the A222HLX power amplifier, call 1-800-323-0221.

For Your Records

In case your Jensen amplifier requires service, you will need to have the original, dated bill of sale. If it is necessary to return the unit for any reason, always enclose the bill of sale with the product.

Important

Here are two important points you must know:

Wiring. If wiring connections are made incorrectly, the unit will not operate properly and it could be damaged. Follow the installation instructions carefully or have the installation handled by an experienced technician.

Fuses. If you have to replace a fuse, make sure the new fuse is the correct type and amperage. Using the wrong rated fuse could damage the unit.

Table of Contents

General Information	3
Audio Amplifiers – Installation and Location Requirements – Selecting Speakers	
Inputs	4
Input Sensitivity Control – Power Light – High Level Input Harness – Low Level input RCA Connectors	
Outputs and Power	4
Power Terminal – Ground Terminal – Power Sensing Terminal – Speaker Terminals	
Parts and Tools	5
Installation Alternatives	5
Installation Instructions	5
Wiring instructions	
Troubleshooting	7
Specifications and Warranty	8

General Information

The Jensen A222HLX power amplifier is a two-channel 250-watt peak automotive amplifier. The A222HLX includes:

- High-level inputs (speaker level)
- Low-level inputs (RCA phono)
- Input sensitivity control
- Remote turn on/off
- Electronic protection circuitry to protect the amplifier from short circuit, DC offset and thermal overload.
- Unique, super-efficient heat sink design.
- 50 watts RMS per channel
- 150 watts RMS bridged
- Bridgeable design

Audio Amplifiers

Amplification offers two advantages:

- Optimum sound at low volume levels. The A222HLX amplifier can make the sound of your receiver fuller and richer, even at low volume levels.
- Louder. Many automotive radios provide four to 10 watts at maximum power. At 50 watts RMS per channel (150 watts bridged), the A222HLX can be played substantially louder, permitting the use of more powerful speakers.

Installation and Location Requirements

The A222HLX amplifier's compact design allows greater flexibility in mounting. Some possible mounting locations are:

- Under a seat
- In the trunk
- Under the dashboard

When selecting a location, remember that amplifiers generate heat. Select a location where air can circulate around the amplifier. Do not cover the A222HLX with carpets or enclose it behind interior trim panels.

Selecting Speakers

The Jensen A222HLX amplifier provides the flexibility to power significantly upgraded speakers such as Jensen component systems and 2/3-way designs. Jensen offers a full line of loud speakers designed to deliver maximum bass performance when used with the A222HLX. See your local authorized Jensen dealer for details.

Inputs

Input Sensitivity Control

Adjust the sensitivity to the input level.

Crossover

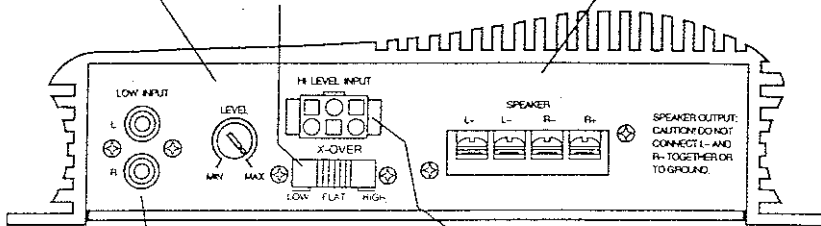
Adjust the crossover to accommodate your chosen installation method.

- LPF=low pass filter
- HPF=high pass filter
- Flat=no filter.

See Installation Alternatives on page 5.

Speaker Terminals

Connect to speakers.



Low Level Input RCA Connectors

Connect RCA cables from your receiver (if equipped) to these RCA jacks. For the least harmonic distortion, low level inputs are recommended.

OR High Level Input Harness

Connect wires from your receiver's speaker output to these wires.

Important:

Do not connect both high level and low level inputs to the same inputs at the same time.

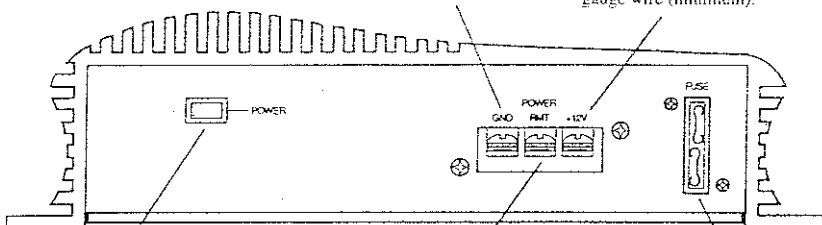
Outputs and Power

Ground Terminal (GND)

Connect to a good chassis ground. The ground connection should be to clean, unpainted metal to provide a good electrical connection.

Power Terminal (+12 V)

Connect directly to the vehicle battery with 10 gauge wire (minimum).



Power Light

This red light comes on when 12 volt and DC power are available at both the battery + 12 volt and sensing wires.

Remote Sensing Terminal (RMT)

Connect the radio power antenna lead to the A222HLX power sensing terminal to turn the amplifier on whenever the receiver is turned on. If a power antenna lead is not available, connect this wire to a +12 VDC source that is switched on with the ignition.

Fuse

Use only a 25 amp blade-type fuse.

Parts and Tools

Supplied parts and fasteners:

- A222HLX Amplifier
- High level input harness

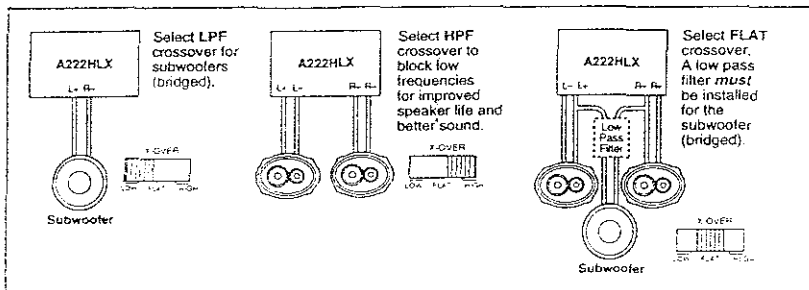
Other tools and supplies needed:

- A Phillips screwdriver
- A pocket knife or scraper to make a clean connection for the ground wire.
- A drill and a 1/8" drill bit
- Power, ground, speaker and sensing wire
- Solder, a soldering gun and wire nuts or electrical tape or a set or crimp-on electrical terminals for connecting high level inputs.

- For low level input connection you will need a pair of shielded stereo audio cables with RCA type jacks. The length of the cable and configuration of jacks depends on your particular installation. If mounted under the dash near the radio, you will need a pair of shielded audio cables. Keep these cables as short as possible to minimize the chance of picking up interference.
- When mounting the amplifier in the trunk, route power and input cables on opposite sides of the vehicle.

Installation Alternatives

See page 6 for detailed wiring instructions



Installation Instructions

important:

The first installation step is to disconnect the negative terminal of the car battery. For your safety, do not bypass this step. Make sure negative battery terminal is disconnected before making any wiring connections.

Every installation will be a bit different based upon vehicle design and whether the A222HLX is a new or replacement unit. For best results, read through all instruction steps before starting. Check all locations and placements carefully before making any cuts or connections.

1. Disconnect negative terminal of battery.
2. Determine location for amplifier, check fit and spacing for wiring connections.
3. Drill holes for mounting the A222HLX (if necessary).
4. Connect wires to vehicle as shown in Wiring Connections on page 6.
5. Reconnect the negative battery terminal.
6. Adjust input sensitivity control.

Note: For best results, adjust sensitivity to the lowest levels possible.

Adjust for best desired balance between front and rear speakers.

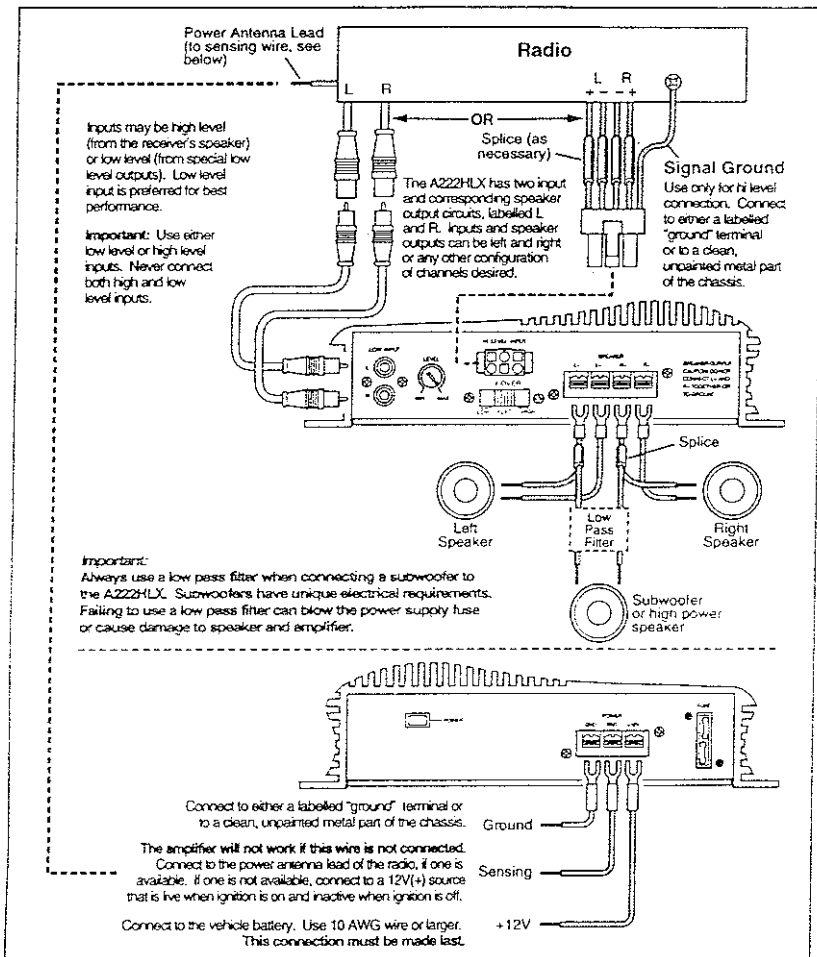
Installation is complete.

Wiring Instructions

This section explains how to wire the A222HLX power amplifier to your vehicle system.

Important:

If wiring connections are made wrong, the unit will not operate properly and it could be damaged. Follow the installation instructions carefully, or have the installation handled by an experienced technician.



Troubleshooting

Problem	Possible Cause	Corrective Action
Amplifier does not operate (power LED not on) when vehicle and radio are on	No power to yellow power wire with vehicle on	
	No power to blue sensing wire with radio on	Check connections to radio
	Fuse blown (inline fuse, yellow wire)	Check fuse
Radio volume needs to be turned up too high for amp to work	Input sensitivity control adjusted too low	Adjust input sensitivity control
Radio volume is too sensitive	Input sensitivity control adjusted too high	Adjust input sensitivity control
Sound from only one speaker	Defective speaker	Replace speaker
	Poor connections to speaker (wire)	Check connections
	Speaker wires shorting together	Separate speaker wires and insulate
Sound distorted	Input sensitivity control adjusted too high	Adjust input sensitivity control
	Both high and low level inputs used	Use only low level or high level inputs, never both
Blows fuses	Yellow wire shorting to chassis	Locate bare wire and insulate
	Speaker wires shorting together	Separate speaker wires and insulate
Alternator whine in amplified outputs (vehicle ignition noise)	Radio has poor noise immunity	Disconnect audio inputs to amplifier – if noise disappears then the radio is at fault Install a power line filter in yellow wire connections
	Improper ground connections	Make sure radio and amplifier are grounded to the same point
Loud pop in speakers when power is turned on or off	Sense wire (blue) not properly connected	Refer to page 6 for proper installation
Amplifier shuts down after period of time from high volume	Temperature shutdown	Turn radio down
	Subwoofer used without low pass filter	Change to 4 ohm speaker loads if 2 ohm loads have been used. Amp will not operate into 2 ohms bridged (not enough air circulation around amp).
(2-ch/4-ch amps) Low or no amplifier output with speaker outputs in bridged configuration	2-ch/4-ch switch in 4-ch position	Switch to 2-ch position
No output on amplified channels	Speaker wires not connected to speakers properly	Refer to page 6 for proper installation
Can't find cause of problem		Contact Jensen Technical Assistance (1-800-323-0221)

Specifications

Amplifier

250 Watts Peak

Power output @ 14.4 VDC, 1 kHz.....	(4 ohms) 50 watts per channel RMS, less than 0.3% THD (2 ohms) 75 watts per channel RMS, less than 0.5% THD (4 ohms) bridged 150 watts per channel RMS, less than 0.5% THD
Frequency Response	10 Hz-30kHz \pm 3 dB
Signal to Noise Ratio @ Rated Power	>80 dB
Channel Separation @ Ref. Power	>65 dB, 1 kHz
THD & IMD @ Ref. Power into 2 ohms	<0.1%
Speaker Impedance	2-8 ohms
Input Impedance	Low Level: 10 k ohms High Level: 27 ohms
Crossover Frequencies	Low: 150 Hz, High: 60 Hz
Power Requirement	14.4 VDC (10.8-15.6 VDC allowable)
Fuse Requirements	25 amp blade-type fuse
Dimensions	3" x 9.25" x 8" (76.2mm x 235mm x 203mm)

Specifications subject to change without notice.

Limited Warranty

Length of Warranty. This warranty from Jensen, a division of International Jensen, Inc., remains in effect for a period of one year from the date of the first consumer purchase.

Persons Protected. This warranty will be enforceable by the original owner during the warranty period so long as proof of purchase from an authorized Jensen dealer is presented if warranty service is required.

What is Covered. Except as otherwise specified, this warranty covers all defects in material and workmanship in this product. The following are not covered: damage resulting from accident, misuse, abuse, neglect, product modification, improper installation, incorrect line voltage, unauthorized repair or failure to follow instructions supplied with the product; damage occurring during shipment (claims must be presented to the carrier); elimination of car static or other electrical interferences; any product purchased outside of the USA or on which the serial number has been defaced, modified or removed.

How to Obtain Warranty Information. If your Jensen amplifier requires service, please telephone us at 1-800-323-4815. We will either inform you of the name and address of an authorized Jensen Repair Station which will service the product or we will advise you to send the product to a factory service center. If shipment of the product is required, it should be packed securely. The original dated bill of sale must always be included with the product as proof of warranty coverage.

What We Will Pay For. We will pay for all labor and material expenses required to repair the unit, but you must pay any labor costs for the removal and/or installation of the product. If the product is shipped for warranty service, you must pre-pay the initial shipping charges, but Jensen will pay the return shipping charges if the product is returned to an address inside of the continental USA. Please insure product for damage or loss during shipping.

Limitation of Implied Warranties. All implied warranties, including warranties of merchantability and fitness for particular purpose are limited in duration to the length of this warranty.

Exclusion of Certain Damages. Jensen's liability is limited to the repair or replacement, at our option, of any defective product and shall, in no event, include incidental or consequential commercial damages of any kind.

Some states do not allow limitations on how long an implied warranty lasts and/or do not allow the exclusion or limitation of incidental or consequential damage, so the above limitations and exclusions may not apply to you.

This warranty gives you specific legal rights, and you may also have other rights which vary from state to state.

International Jensen Incorporated

4136 North United Parkway
Schiller Park, IL 60176

"JENSEN" is a registered trademark of International Jensen Inc.