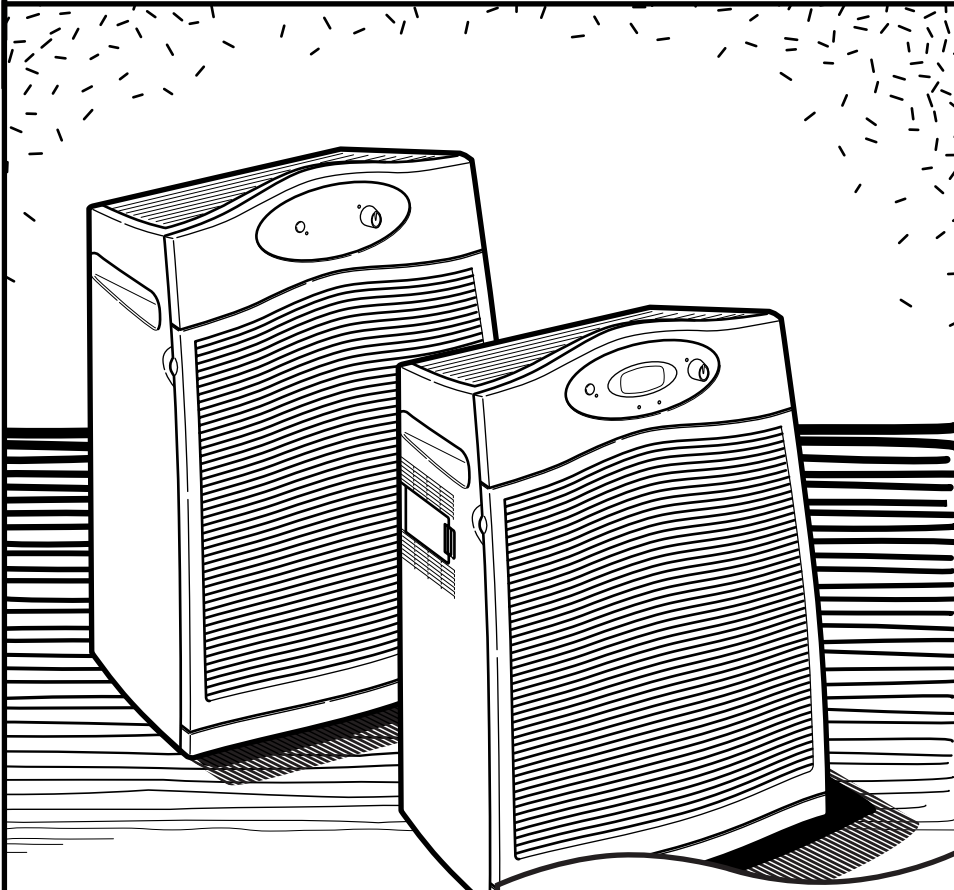


Hamilton Beach®

Air Purifier



Air Purifier Safety.....	2
Know Your Air Purifier	5
How to Assemble and Use.....	6
How to Clean.....	12
Troubleshooting Guide.....	17
Customer Service	18

In USA: 1-800-851-8900
In Canada: 1-800-267-2826

Air Purifier Safety

IMPORTANT SAFEGUARDS

READ AND SAVE THESE INSTRUCTIONS.

In order to prevent the risk of fire, electric shock, personal injury or damage to property, follow these instructions carefully. When using electric appliances, basic safety precautions should be followed, including the following:

1. Read all instructions before using this air purifier. Save these instructions for reference.
2. Direct ultraviolet light exposure to the eyes can cause temporary or chronic adverse effect to your eyesight.
3. Do not immerse this product in water or splash water on it. An electrical short may result in shock or fire.
4. Do not handle the plug with wet hands; electrical shock may occur, resulting in injury or death.
5. Never attempt to disassemble or alter the product in any way not instructed by this manual. Shock, fire, or bodily injury may occur. Contact Hamilton Beach at 1-800-851-8900 for assistance.
6. Do not place your face directly on the outlet grille or look into the ultraviolet light.
7. Do not operate this product in any greasy environment such as in the kitchen. This product is not intended to filter oil or grease from the air.
8. Do not operate this product near an open fire. It may ignite and cause fire, resulting in bodily injury or property damage.
9. Do not operate this product in a garage or other area with oil or chemicals such as solvents or insecticides.
10. Always unplug the power cord from the receptacle when the air purifier is not in use, before cleaning, replacing parts, or before moving to another location.
11. Do not insert foreign objects into the product for any reason. Bodily injury or property damage may occur.
12. Do not use this product outdoors. It is intended for indoor use only.
13. Do not operate this appliance without the outlet grille in place or if the outlet grille is broken or damaged.
14. This air purifier is equipped with safety interlock switches that turn the unit off if the intake or outlet grilles are removed. DO NOT attempt to defeat or override this safety feature.
15. **WARNING:** To reduce the risk of fire or electric shock, do not use this purifier with any solid-state speed control device.

SAVE THESE INSTRUCTIONS!

Consumer Safety Information

This appliance is intended for household use only.

This appliance is equipped with a polarized plug. This type of plug has one blade wider than the other. The plug will fit into an electrical outlet only one way. This is a safety feature intended to help reduce the risk of electrical shock. If you are unable to insert the plug into the outlet, try reversing the plug. If the plug should still fail to fit, contact a qualified electrician to replace the obsolete outlet. Do not attempt to defeat the safety purpose of the polarized plug by modifying the plug in any way.

If a longer cord is necessary, an approved extension cord may be used. The electrical rating of the extension cord must be equal to or greater than the rating of the air purifier. Care must be taken to arrange the extension cord so that it will not drape over the countertop or tabletop where it can be pulled on by children or accidentally tripped over. Route the electrical or extension cord clear of furniture to prevent damage from pinching.

⚠ WARNING

Germicidal Light Radiation Hazard

- **Never operate with damaged, broken or missing outlet grille louvers or without the outlet grille.**
- **Never operate with damaged, broken or cracked housing.**
- **Always unplug unit before cleaning, servicing or replacing the UV bulb.**
- **Never look directly at UV bulb or place face directly on outlet grille.**
- **Use only Hamilton Beach replacement UV bulb: Part No. 04810.**
- **Read all instructions before using.**

Failure to follow these instructions can result in direct exposure to germicidal light, which can cause temporary or chronic damage to your eyesight, or even blindness.

About Your Air Purifier

The air purifier functions as an air cleaner by helping to disinfect airborne bacteria and removing particulates from the air.

The air is cleaned in three stages:

1. A fan draws air through the intake grille on the front of the air purifier. Then it passes through the carbon pre-filter which traps large dust particles and reduces odors.
2. The white HEPA filter then removes particles as small as 0.3 microns from the air at 99.97% effectiveness.
3. The clean air is then exposed to germicidal-grade ultraviolet light to reduce the level of airborne bacteria, molds, and viruses. The purified air is then released through the outlet grille on the top of the unit.

To Order Replacement Parts

Replacement bulbs may be available where the air purifier was purchased or can be obtained directly from Hamilton Beach.

Purifier Model	Control Type	Room Size* (sq. ft.)	Carbon Pre-Filter	HEPA Filter	UV Bulb	Starter Type FS-5 or FS-22
04160	Manual	200 ft ²	04922	04912	04810	904004100
04161	AirSmart™	200 ft ²	04922	04912	04810	904004100
04162	Manual	350 ft ²	04923	04913	04810	904004100
04163	AirSmart™	350 ft ²	04923	04913	04810	904004100

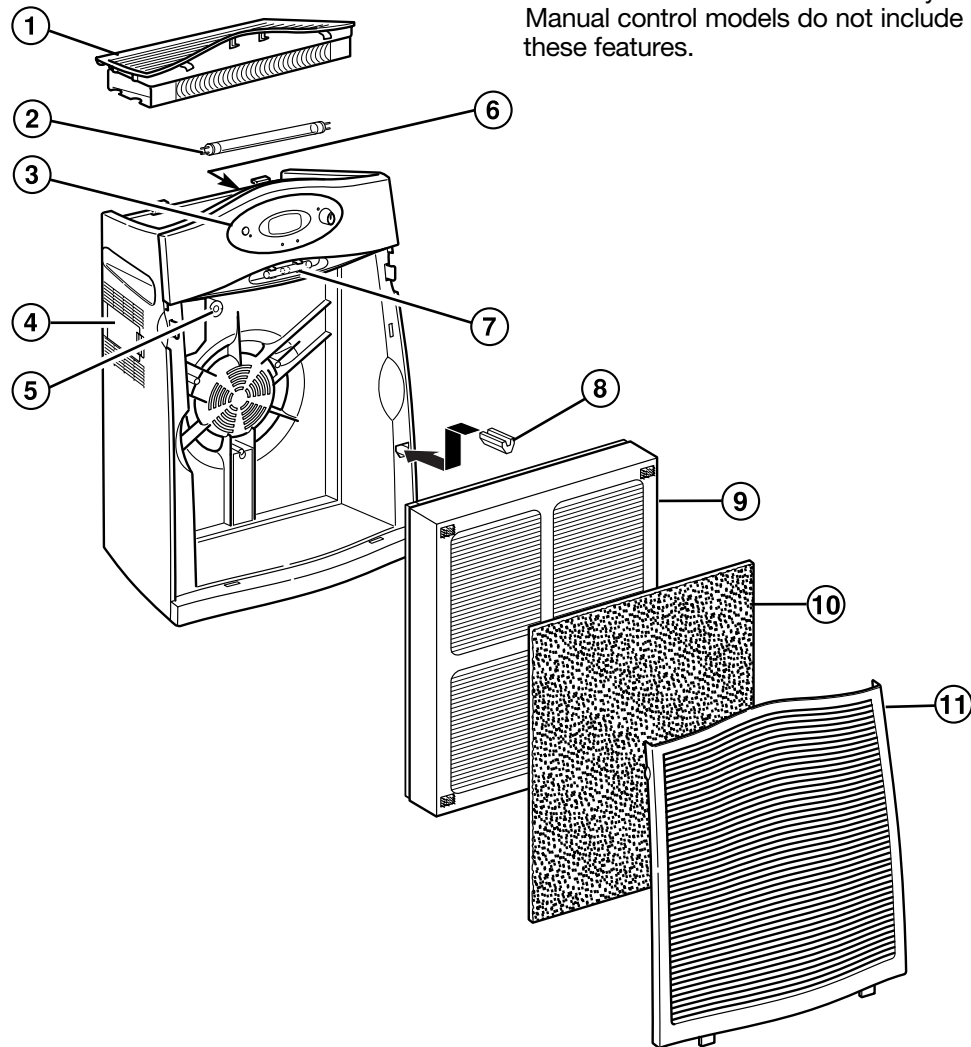
* Each air purifier is designed to filter the room five times per hour at high speed. Factors such as room shape and ceiling height can affect this rate. It is normal that the air flow will be reduced as the filters become clogged. See "Checking the Filters" on page 13 for more information.

Know Your Air Purifier

Parts and Features

1. Outlet Grille
2. Ultraviolet (UV) Bulb
3. Control Panel
4. AirSmart™ Sensor*
5. UV Starter
6. UV Bulb Check Window
(not shown – see page 8 for location)
7. Filter Check Gauge
8. Air Sensor Cleaner*
9. HEPA Filter
10. Carbon Pre-Filter
11. Intake Grille

* Available on AirSmart™ models only.
Manual control models do not include these features.



How to Assemble and Use

IMPORTANT: Your Hamilton Beach air purifier is designed for easy use and maintenance. Make sure that the UV bulb, HEPA filter, and carbon pre-filter are properly installed before use.

Before First Use

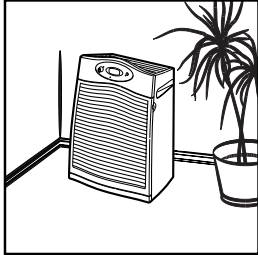
Be sure to remove all packing materials. The filters and UV bulb are packed in plastic bags inside the air purifier for shipping. Refer to pages 7 to 9 for unpacking and installation instructions.

Selecting the Proper Location

To prevent the risk of personal injury or damage to the air purifier and provide the best possible performance of your air purifier, follow the placement guidelines below:

DO:

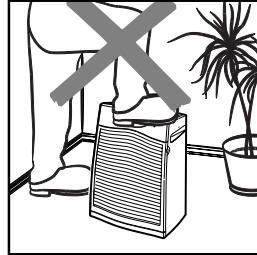
- Place the air purifier on a flat, stable surface.



- Place the air purifier near an electrical outlet where it is out of the way. Make sure that the air purifier and the cord do not present tripping hazards.
- Select a central location with adequate air circulation.
- Turn off and unplug the air purifier before moving or servicing it, or if it will not be used for several days.
- Route the electrical cord clear of furniture to prevent damage from pinching.

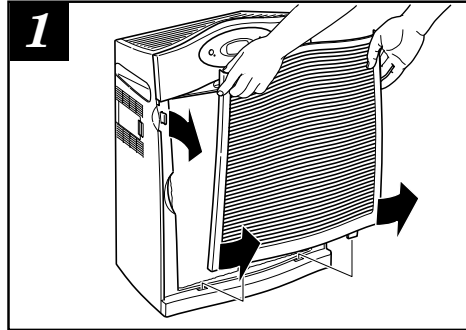
DO NOT:

- Do not stand, sit, or place any objects on the air purifier. It is not designed to support additional weight.



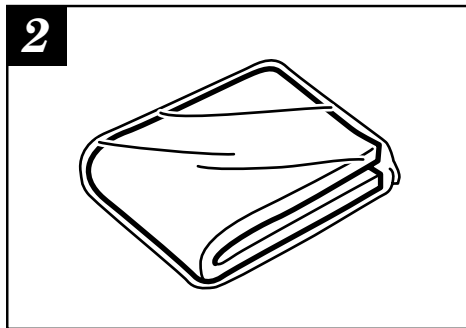
- Do not block the air intake and outlet grilles with drapes, curtains, or blinds. This may cause reduced performance.
- Do not use in a kitchen, garage, or area with grease, oil or chemicals such as solvents or insecticides.
- Do not place on or near heat sources such as stoves, radiators, or heaters, or in direct sunlight.
- To reduce electrical noise and interference, do not place on or near, or plug into the same outlet as TVs, baby monitors, or cordless phones.

Installing the Carbon Pre-Filter

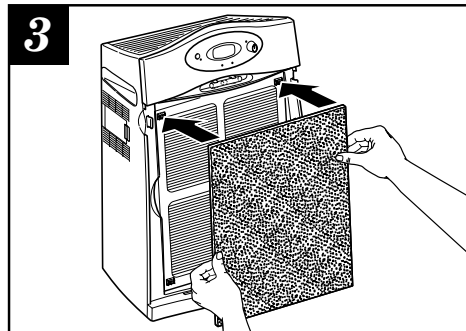


NOTE: The carbon pre-filter should be replaced approximately every three months.

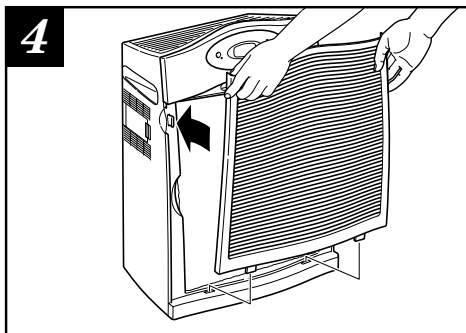
Remove the intake grille by carefully pulling the upper two side tabs away from the body of the air purifier and lifting up.



Locate the black carbon pre-filter. It will be folded inside a plastic bag. Remove and discard the plastic bag.



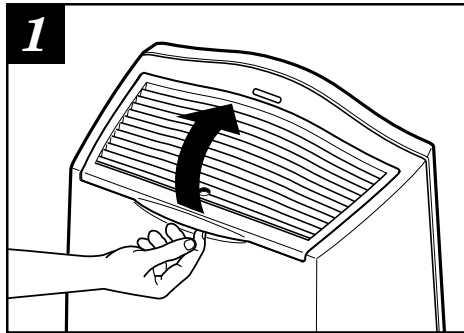
Unfold and flatten out the black carbon pre-filter. Attach the four corners of the carbon pre-filter to the four hook fasteners on the HEPA filter.



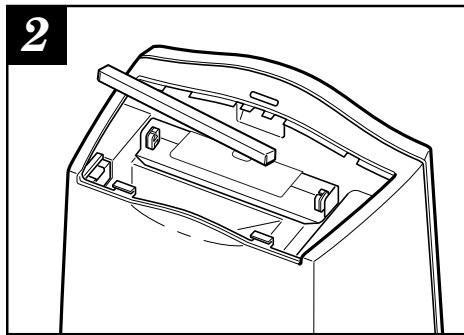
Insert the two tabs on the bottom of the intake grille into the holes on the bottom ledge of the air purifier. Pivot the intake grille into place and lightly press on the upper corners of the grille to snap it into place.

NOTE: The air purifier has a safety switch that prevents operation if the intake grille is not properly installed. DO NOT attempt to override or disable this safety switch.

Installing the UV Bulb

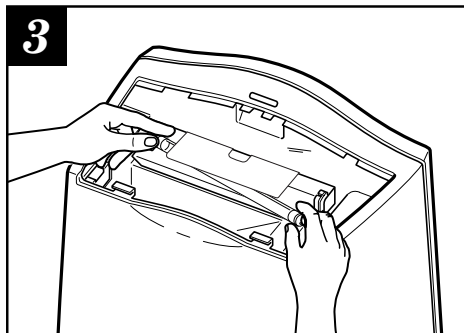


Open and remove the outlet grille by pulling up on the handle on the upper back of the air purifier.



Remove the packaged UV bulb from inside the air purifier. **Be careful not to touch the glass part of bulb.** Handle by metal ends only. Oil from fingertips on the glass bulb will shorten the life of the bulb. Carefully unpack the bulb and discard the packaging.

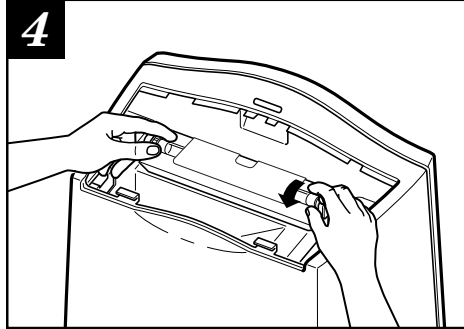
NOTE: Make sure no loose packing material remains inside the air purifier.



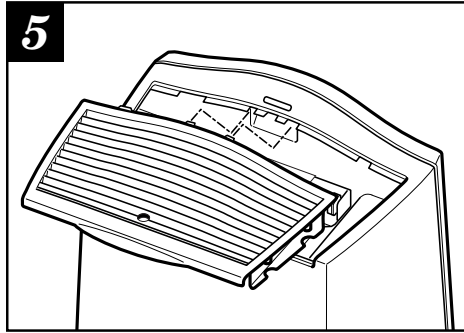
Make sure the unit is unplugged. Starting with one end of the bulb, then the other, gently insert the metal pins on the bulb into the white slotted socket one pin at a time.

NOTE: Only one pin will fit in the socket at a time. **DO NOT** force the pins into the socket—you could break the bulb.

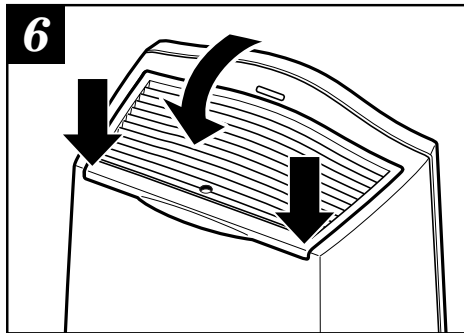
Installing the UV Bulb (continued)



Once the ends of the bulb are completely inserted into the socket, rotate the bulb a quarter turn until it locks into place.



Insert the two center tabs on the front of the outlet grille into the middle slots on the front of the opening. Pivot the grille down toward the back of the air purifier.



Press lightly down on the back corners of the outlet grille to snap it into place.

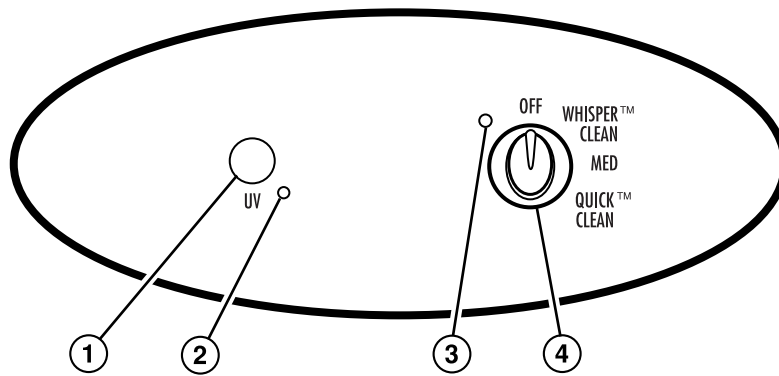
NOTE: The air purifier has a safety switch that prevents operation when the top outlet grille is not properly installed. DO NOT attempt to override or disable this safety switch. See the Germicidal Light Hazard Warning on page 3.

Plugging in the Air Purifier

WARNING: To reduce the risk of electrical shock, never plug in the air purifier while your hands are wet. Always unplug the air purifier before moving or servicing the unit.

NOTE: The polarized plug will only fit in one direction—DO NOT try to force the plug. If you are unable to insert the plug into the outlet, try reversing the plug. If the plug still does not fit, contact a qualified electrician to replace the obsolete outlet.

Setting the Controls – Manual Control Models



1. Germicidal UV Button – Turns on the germicidal UV lamp to reduce harmful bacteria from the filtered air. When this button is on, a bluish glow should be visible through the UV bulb check window on the top of the unit.

NOTE: The light will not come on if the fan is turned off.

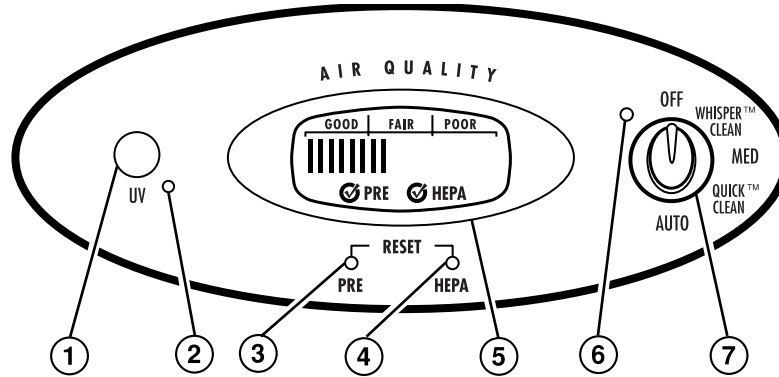
2. UV “On” Indicator – Lights when the germicidal UV lamp is on.

3. Power On Indicator – Lights when unit is on.

4. Fan Speed Knob – Turn the fan speed knob to the desired setting. There are four settings:

- *Off*
- *WhisperClean™* – Use for quiet, nighttime operation or for constant low-speed filtration.
- *Medium* – Provides a higher fan speed; use for quickly filtering dust, pollen, smoke, etc. from a room.
- *QuickClean™* – Provides cleaning during acute needs.

Setting the Controls – AirSmart™ Models



1. Germicidal UV Button – Turns on the germicidal UV lamp to reduce harmful bacteria from the filtered air. When this button is on, a bluish glow should be visible through the viewing window on the top of the unit.

NOTE: The light will not come on if the fan is turned off.

2. UV “On” Indicator – Lights when the germicidal UV lamp is on.

3. Pre-Filter Timer Reset Button

4. HEPA Filter Timer Reset Button

5. AirSmart™ Display – When the air purifier is first turned on, the AirSmart™ sensor will analyze the air to determine the current air quality. A bar will move back and forth across the display panel until the air quality is determined. This will take about one minute. The sensor will then continue to monitor and show the air quality (poor, fair, or good) in a bar graph in the display. If the fan is set to Auto, the sensor automatically adjusts the fan speed for the most effective air purification.

AIR QUALITY	AUTO SELECTED FAN SPEED
Poor	QuickClean™
Fair	Medium
Good	WhisperClean™

The Display also has check marks that will appear to indicate that it is time to check the carbon pre-filter or HEPA filter. See “Checking the Filters” on page 13. Once the filters have been checked, and if necessary, replaced, press the recessed RESET button with the end of a pen, toothpick, or small nail. This will reset the “timer-like” control.


6. Power On Indicator – Lights when unit is on.

7. Fan Speed Knob – Turn the fan speed knob to the desired setting. There are five settings:

- *Off*
- *WhisperClean™* – Use for quiet, nighttime operation or for constant low-speed filtration.
- *Medium* – Provides a higher fan speed; use to quickly filter dust, pollen, smoke, etc., from a room.
- *QuickClean™* – Provides cleaning during acute needs.
- *Auto* – Functions with the AirSmart™ sensor and automatically selects the fan speed depending on the air quality detected. This is the normal setting for continuous use.

How to Clean

Your air purifier is designed to provide years of trouble-free service with minimal maintenance. The following instructions will help you maximize the life and efficiency of your air purifier.

	<p style="text-align: center;">⚠ WARNING</p> <p>To reduce risk of electric shock:</p> <ul style="list-style-type: none"> • Always unplug before cleaning. • Do not immerse in water or other liquid.
---	--

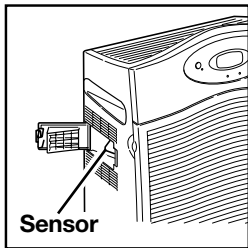
Cleaning the Air Purifier

- Wipe the enclosure, control panel, and cord with a damp cloth or sponge.
- The intake grille can be removed and washed in warm, soapy water. Do not place in dishwasher. Make sure the grille is completely dry before reinstalling.
- The outlet grille should simply be dusted. It should not be immersed in water.
- No part of the air purifier should be placed in a dishwasher.

Cleaning the AirSmart™ Sensor

On models equipped with the AirSmart™ sensor, it is recommended to clean the sensor monthly.

1. Remove the air sensor cleaner from the storage compartment behind the intake grille (see item 8, page 5).
2. The sensor is located on the side of the unit. Open the sensor compartment (as illustrated), then place the air sensor cleaner into the sensor opening.



3. Push the air sensor cleaner in and out of the sensor opening several times to clean the sensor lens.
4. Close the sensor compartment and put the air sensor cleaner back in the storage compartment. Replace the intake grille. Make sure the sensor door is fully closed. If it is not, the sensor may not operate properly.

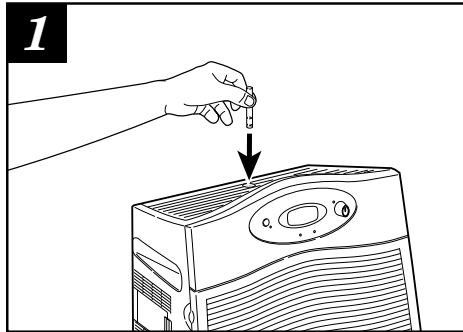
Checking the Filters

A special filter check gauge is included with your air purifier to allow you to check the condition of the filters. It is stored in a compartment behind the front intake grille. See item 7 on page 5 for location.

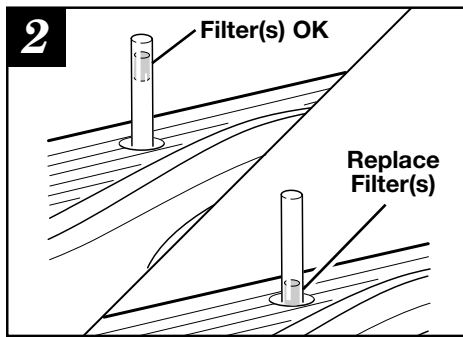
The **HEPA filter** should last approximately 12 months with continuous use, less in areas with a high level of airborne particles such as dust or pollen.

The **carbon pre-filter** will last approximately three months.

NOTE: You must reinstall and snap the intake grille before checking the filters with the gauge. The air purifier will not operate if the grille is not in place.



Insert either end of the filter check gauge into the recessed hole on the top of outlet grille. Turn the fan on QuickClean.™

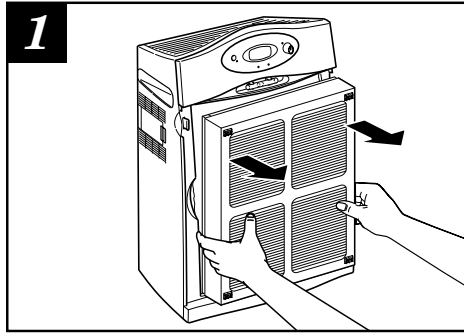


The colored cylinder should float up the filter check gauge. If it does not move from the bottom of the gauge, the filter(s) are clogged and need to be replaced.

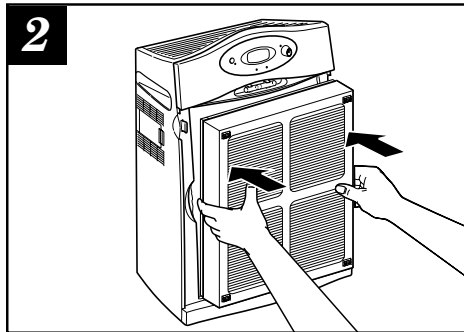
Replacing the HEPA Filter

The HEPA filter will normally last about 12 months before it must be replaced, or approximately every fourth time the carbon pre-filter is replaced.

If the filter check gauge indicates that the filter requires replacement, it is recommended that you first replace the carbon pre-filter and then use the filter check gauge to check the filter again. If the colored cylinder still does not float up the gauge, the HEPA filter must also be replaced.



Turn off and unplug air purifier. Remove the used HEPA filter by gripping the sides and pulling outward, as shown. Discard the used filter. It cannot be cleaned.



Obtain a replacement HEPA filter. Insert the unwrapped HEPA filter, hook fastener side out, into the air purifier.

NOTE: Improper filter installation will result in poor air filtration.

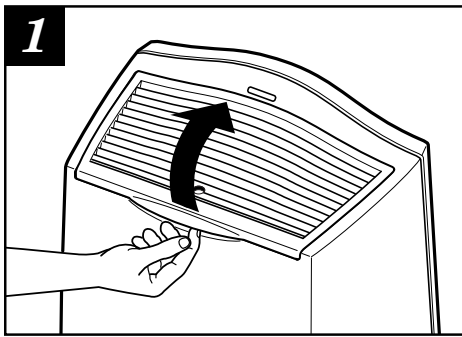
Replacing the UV Bulb

The UV bulb is designed to provide approximately one year of continuous, effective operation. After this time, the bulb may remain illuminated, but its effectiveness is greatly reduced.

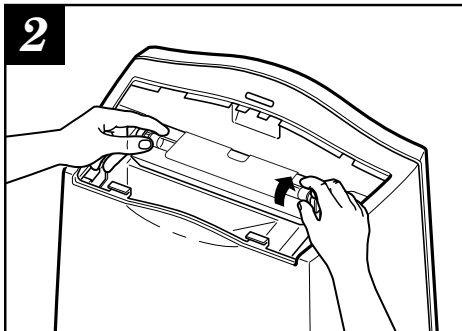
For maximum germicidal protection, replace the UV bulb when replacing the HEPA filter, or if the UV bulb

check window does not glow when the UV switch is on. The UV replacement bulb cannot be purchased in stores. Replacement bulbs may be available where the air purifier was purchased or can be obtained directly from Hamilton Beach.

To Remove the UV Bulb:



Turn off and unplug the air purifier. Open and remove the outlet grille by pulling upon the handle on the upper back of the air purifier.



Gently rotate the bulb a quarter turn in either direction until it unlocks from the socket. Pull the pins out the sides of the socket, one end at a time.

To Install the New UV Bulb:

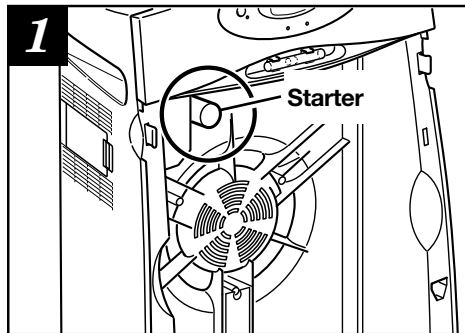
Refer to steps 3 through 6 on pages 8 and 9 to install the new UV bulb. Be sure to discard the old UV bulb in a safe and responsible manner in accordance with any applicable local, state, and federal regulations.

If the UV bulb check window still does not glow, replace the starter.

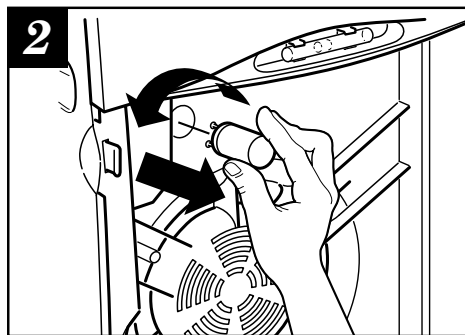
Remember, oils from fingertips will shorten the life of the bulb. Do not touch the glass part of the bulb.

Replacing the UV Starter

If the UV bulb does not light after installing a new bulb, the starter should be replaced. See page 4 for replacement parts.



Turn off and unplug air purifier. Remove the intake grille and filters. The starter is the small cylinder-shaped part located behind the filter.



Turn the starter counterclockwise until it unlocks, then pull it out. To install the new starter, insert the starter and turn clockwise. Replace filters and intake grille.

Troubleshooting Guide

The following section provides the solutions to many common problems and questions. If your air purifier is not working correctly, review these solutions first. If your problem is still not solved after reviewing this guide, call our toll-free customer service number, listed on the front cover of this manual, for assistance.

The Air Purifier Will Not Turn On

- Are the intake grille and the outlet grille installed and locked into place?
- Is the fan speed knob turned on?
- Is the air purifier plugged into a powered outlet?

The Air Purifier Changes Speed

- AirSmart™ models are designed to sense the level of contaminants in the air and adjust the fan speed to provide the most effective air purification possible. If the AirSmart™ control is set to Auto, it will automatically change fan speeds to adjust for changing air quality.

Reduced Air Flow or Poor Filtering

- The intake or outlet grille may be blocked. Make sure nothing is in front of or on top of the air purifier.
- The carbon pre-filter or the HEPA filter may be clogged. Check the filters with the filter gauge and replace them, if necessary.

Germicidal UV Bulb Does Not Light

- Is the UV switch turned on?
- Is the fan running? The UV bulb will not work unless the fan is on.
- The bulb may be burned out. See “Replacing the UV Bulb” for replacement instructions.
- The UV starter may need replacement. See “Replacing the UV Starter” for replacement instructions.

Customer Service

If you have a question about your air purifier, call our toll-free customer service number. Before calling, please note the model, type, and series numbers and fill in that information below. These numbers can be found on the back of the air purifier. This information will help us answer your question much more quickly.

MODEL: _____ **TYPE:** _____ **SERIES:** _____

LIMITED WARRANTY

This product is warranted to be free from defects in material and workmanship for a period of one (1) year from the date of original purchase, except as noted below. During this period, we will repair or replace this product, at our option, at no cost. THE FOREGOING WARRANTY IS IN LIEU OF ANY OTHER WARRANTY, WHETHER EXPRESS OR IMPLIED, WRITTEN OR ORAL INCLUDING ANY WARRANTY OF MERCHANTABILITY OR FITNESS FOR A PARTICULAR PURPOSE. ANY LIABILITY IS EXPRESSLY LIMITED TO AN AMOUNT EQUAL TO THE PURCHASE PRICE PAID, AND ALL CLAIMS FOR SPECIAL, INCIDENTAL AND CONSEQUENTIAL DAMAGES ARE HEREBY EXCLUDED. There is no warranty with respect to the following, which may be supplied with this product: carbon pre-filter, HEPA filter, UV germicidal bulb, or starter. This warranty extends only to the original consumer purchaser and does not cover a defect resulting from abuse, misuse, neglect, use for commercial purposes, or any use not in conformity with the printed directions. This warranty gives you specific legal rights, and you may also have other legal rights which vary from state to state, or province to province. Some states or provinces do not allow limitations on implied warranties or special, incidental or consequential damages, so the foregoing limitations may not apply to you.

If you have a claim under this warranty, DO NOT RETURN THE APPLIANCE TO THE STORE! Please call our CUSTOMER SERVICE NUMBER. (For faster service please have model, series, and type numbers ready for operator to assist you.)

CUSTOMER SERVICE NUMBERS

In the U.S. 1-800-851-8900

In Canada 1-800-267-2826

Web site address: www.trueair.com

KEEP THESE NUMBERS FOR FUTURE REFERENCE!

HAMILTON BEACH ♦ PROCTOR-SILEX, INC.

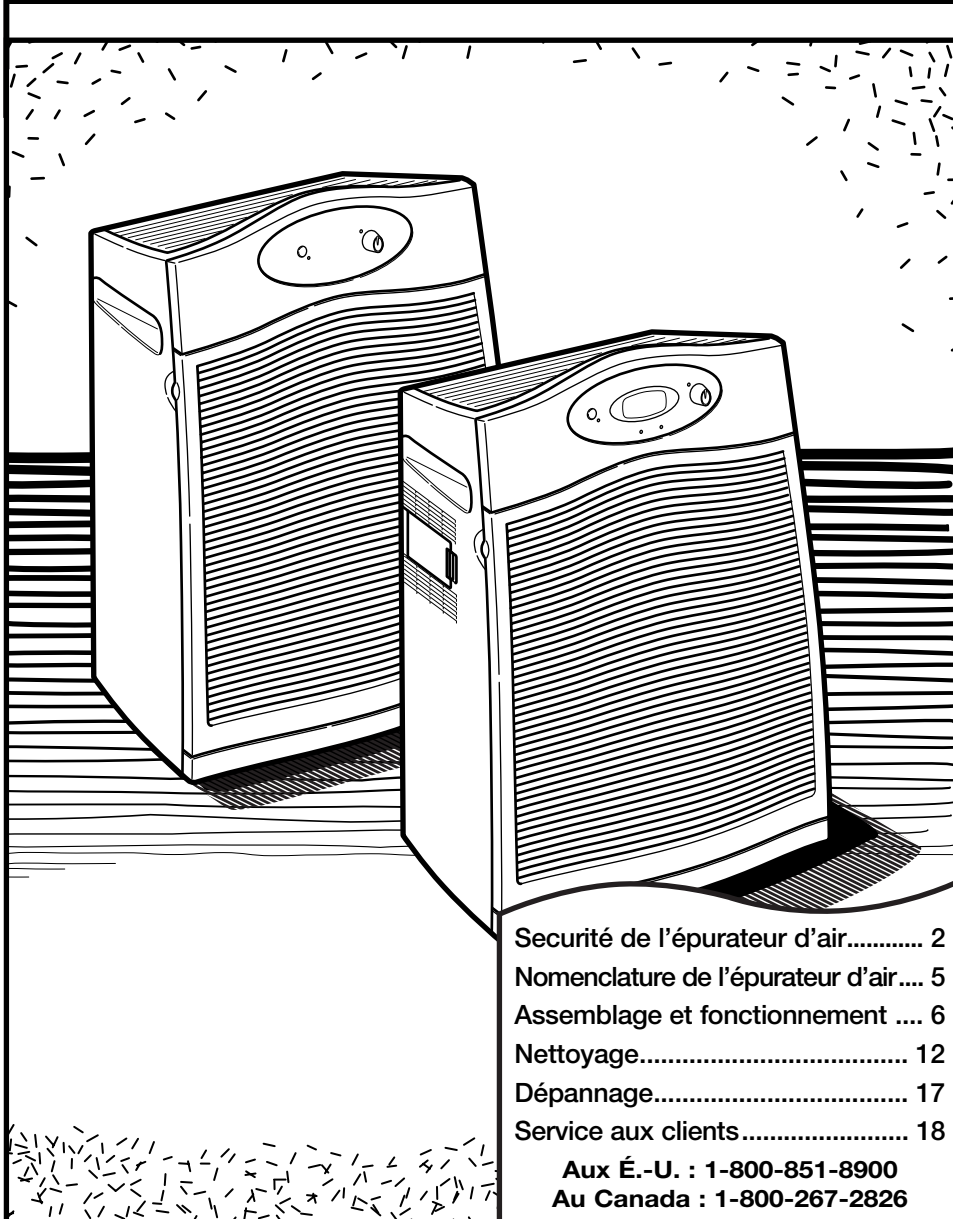
263 Yadkin Road
Southern Pines, NC 28387

PROCTOR-SILEX CANADA, INC.

Picton, Ontario K0K 2T0

Hamilton Beach®

Épurateur d'air



Securité de l'épurateur d'air.....	2
Nomenclature de l'épurateur d'air....	5
Assemblage et fonctionnement	6
Nettoyage.....	12
Dépannage.....	17
Service aux clients.....	18

Aux É.-U. : 1-800-851-8900
Au Canada : 1-800-267-2826

840115900

Sécurité de l'épurateur d'air

IMPORTANTES INSTRUCTIONS

LIRE ET CONSERVER CES INSTRUCTIONS.

Pour réduire le risque d'incendie, de choc électrique, de blessure ou de dommage matériel, suivre les instructions suivantes attentivement. Lors de l'utilisation d'appareils électroménagers, des précautions préliminaires de sécurité doivent être observées, y compris ce qui suit :

1. Lire toutes les instructions avant d'utiliser cet épurateur d'air. Conserver ces instructions pour référence ultérieure.
2. L'exposition directe des yeux aux rayons ultraviolets peut causer des réactions adverses temporaires ou chroniques de la vue.
3. Ne pas immerger ce produit dans l'eau ni l'asperger d'eau. Un court-circuit risque de causer un choc ou un incendie.
4. Ne pas toucher à la fiche de branchement avec des mains mouillées; un choc électrique risque de se produire et peut causer une blessure ou la mort.
5. Ne jamais tenter de démonter ou de modifier le produit d'une manière qui ne soit pas mentionnée dans ce manuel. Un choc, un incendie ou une blessure peut en résulter. Communiquer avec Hamilton Beach au 1-800-851-8900 pour de l'aide.
6. Ne pas placer le visage directement contre la grille de sortie ni regarder dans la lumière ultraviolette.
7. Ne pas faire fonctionner ce produit dans un environnement gras tel que la cuisine. Ce produit n'est pas conçu pour filtrer l'huile ou la graisse de l'air.
8. Ne pas faire fonctionner ce produit près d'une flamme nue. Il peut s'enflammer et causer un incendie, des blessures ou des dommages matériels.
9. Ne pas faire fonctionner ce produit dans un garage ou un autre endroit en présence d'huile, de produits chimiques tels que les solvants ou les insecticides.
10. Débrancher toujours le cordon d'alimentation de la prise lorsque l'épurateur d'air n'est pas utilisé, avant le nettoyage, le remplacement de pièces ou avant de le déménager à un autre endroit.
11. N'introduire aucun corps étranger dans le produit pour quelque raison que ce soit. Des blessures ou dommages matériels peuvent se produire.
12. Ne pas utiliser ce produit à l'extérieur. Il est conçu pour utilisation à l'intérieur seulement.
13. Ne pas faire fonctionner cet appareil sans que la grille de sortie ne soit en place ou si la grille de sortie est brisée ou endommagée.
14. Cet épurateur d'air est doté de commutateurs de protection qui éteignent l'appareil si les grilles d'entrée ou de sortie sont enlevées. NE PAS tenter de contourner ou de désactiver cette caractéristique de sécurité.
15. **AVERTISSEMENT** : Pour réduire le risque d'incendie ou de choc électrique, ne pas utiliser cet épurateur d'air avec un dispositif de contrôle de vitesse transistorisé.

CONSERVER CES INSTRUCTIONS!

Renseignements de sécurité aux consommateurs

Cet appareil est destiné à un usage domestique uniquement.

Cet appareil est muni d'une fiche polarisée. Ce type de fiche présente une broche plus large que l'autre. La fiche peut être introduite dans une prise que dans un sens seulement. Il s'agit d'une caractéristique de sécurité visant à réduire le risque de choc électrique. Si la fiche ne peut pas être insérée dans la prise, la tourner dans l'autre sens. Si elle ne peut toujours pas être insérée dans la prise, contacter un électricien pour qu'il remplace la prise défectueuse. Ne pas essayer de contourner l'objectif de sécurité de la fiche polarisée en la modifiant de quelque manière que ce soit.

Si un cordon plus long est nécessaire, utiliser une rallonge appropriée. Le calibre de la rallonge doit être le même que celui de l'appareil ou supérieur. Lorsqu'on utilise une rallonge, s'assurer qu'elle ne traverse pas la zone de travail, que des enfants ne puissent pas tirer dessus par inadvertance et qu'on ne puisse pas trébucher dessus. Acheminer le cordon d'alimentation ou la rallonge à l'écart des meubles pour éviter de coincer le cordon ou la rallonge et de l'endommager.

⚠ AVERTISSEMENT

Risque de radiation par la lumière germicide

- **Ne jamais faire fonctionner avec des lames de grille de sortie endommagées, brisées ou manquantes ou en l'absence de la grille de sortie.**
- **Ne jamais faire fonctionner avec un boîtier endommagé, brisé ou fissuré.**
- **Toujours débrancher l'unité avant le nettoyage, la réparation ou le remplacement de l'ampoule UV.**
- **Ne jamais regarder directement l'ampoule UV ni placer directement le visage contre la grille de sortie.**
- **Utiliser seulement l'ampoule UV de rechange Hamilton-Beach no de pièce 04810.**
- **Lire toutes les instructions avant l'utilisation.**

Le non-respect de ces instructions peut causer une exposition directe à la lumière germicide, ce qui peut causer des troubles temporaires ou chroniques de la vue ou même la cécité.

À propos de votre épurateur d'air

L'épurateur d'air fonctionne comme purificateur d'air en contribuant à désinfecter les bactéries en suspension dans l'air et en éliminant les particules de l'air.

L'air est nettoyé en trois étapes :

1. Un ventilateur aspire l'air à travers la grille d'entrée à l'avant de l'épurateur d'air. L'air traverse alors le préfiltre à charbon qui retient les grosses particules de poussière et réduit les odeurs.
2. Le filtre HEPA blanc enlève alors les particules aussi petites que 0,3 micron de l'air à un taux d'efficacité de 99,97 %.
3. L'air propre est alors exposé aux rayons ultraviolets germicides pour réduire le niveau de bactéries en suspension en l'air, les moisissures et les virus. L'air purifié est ensuite expulsé par la grille de sortie sur le dessus de l'appareil.

Commande de pièces de rechange

Il est possible que des ampoules de rechange soient disponibles là où l'épurateur d'air a été acheté ou on peut les obtenir directement de Hamilton Beach.

Modèle d'épurateur	Type de contrôle	Superficie de la pièce* (pi ²)	Préfiltre à charbon	Filtre HEPA	Ampoule UV	Démarrreur Type FS-5 ou FS-22
04160	Manuel	200 pi ²	04922	04912	04810	904004100
04161	AirSmart™	200 pi ²	04922	04912	04810	904004100
04162	Manuel	350 pi ²	04923	04913	04810	904004100
04163	AirSmart™	350 pi ²	04923	04913	04810	904004100

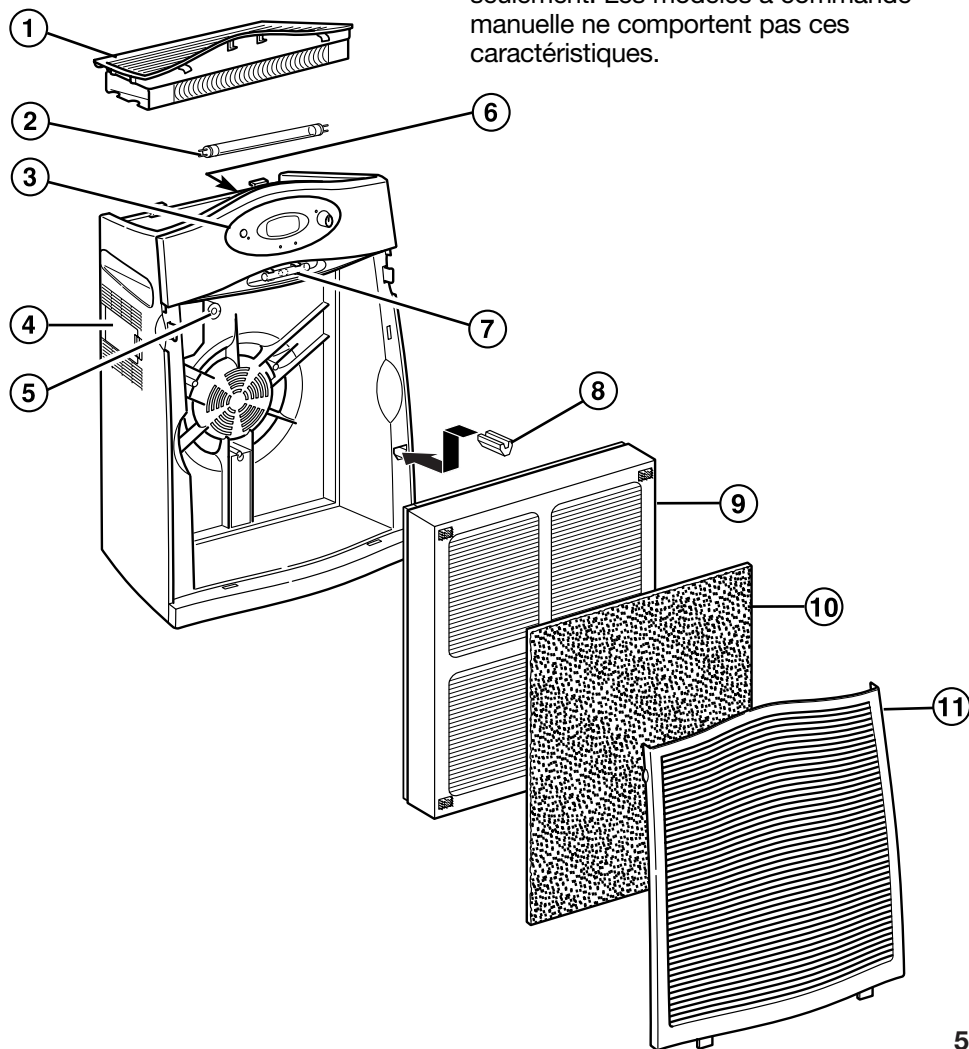
* Chaque épurateur d'air est conçu pour filtrer l'air de la pièce cinq fois par heure à haute vitesse. Les facteurs tels que la forme de la pièce et la hauteur du plafond peuvent affecter ce rendement. Il est normal que le débit d'air soit réduit au fur et à mesure que les filtres deviennent encrassés. Voir « Vérification des filtres » à la page 13 pour plus de renseignements.

Nomenclature de l'épurateur d'air

Pièces et caractéristiques

1. Grille de sortie
2. Ampoule ultraviolette (UV)
3. Tableau de commande
4. Capteur AirSmart™*
5. Démarreur UV
6. Fenêtre de vérification de l'ampoule UV (non illustré - voir page 8 pour l'emplacement)
7. Jauge de vérification du filtre
8. Nettoyeur du capteur d'air*
9. Filtre HEPA
10. Préfiltre à charbon
11. Grille d'entrée

* Disponible sur les modèles AirSmart™ seulement. Les modèles à commande manuelle ne comportent pas ces caractéristiques.



Assemblage et fonctionnement

IMPORTANT : Votre épurateur d'air Hamilton Beach est conçu pour une utilisation et un entretien faciles. S'assurer que l'ampoule UV, le filtre HEPA et le préfiltre à charbon sont bien installés avant l'utilisation.

Avant la première utilisation

Veiller à enlever tous les matériaux d'emballage. Les filtres et l'ampoule UV sont emballés dans des sacs de plastique d'expédition à l'intérieur de

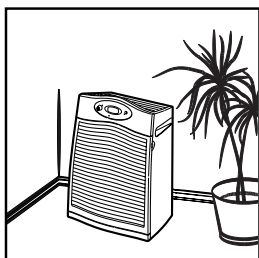
l'épurateur d'air. Voir les pages 7 à 9 pour le déballage et les instructions d'installation.

Choix du bon endroit

Pour prévenir le risque de blessures ou d'endommagement de l'épurateur d'air et obtenir le meilleur rendement possible de l'appareil, suivre les directives d'emplacement ci-dessous :

À FAIRE :

- Placer l'épurateur d'air sur une surface

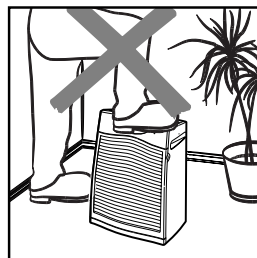


plane et stable.

- Placer l'épurateur d'air près d'une prise où il ne constitue pas une obstruction. Veiller à ce que l'épurateur d'air et le cordon ne présentent pas de risque de trébuchement.
- Choisir un emplacement central bénéficiant d'une circulation d'air adéquate.
- Éteindre et débrancher l'épurateur d'air avant de le déplacer ou d'en faire l'entretien, ou s'il ne sera pas utilisé pendant plusieurs jours.
- Acheminer le cordon d'alimentation ou la rallonge à l'écart des meubles pour éviter de coincer le cordon ou la rallonge et de l'endommager.

À ÉVITER :

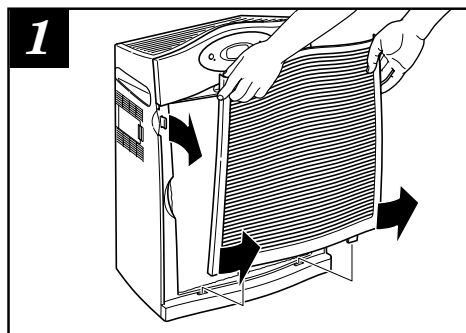
- Ne pas monter, s'asseoir ou placer



des objets sur l'épurateur d'air. Il n'est pas conçu pour supporter un poids additionnel.

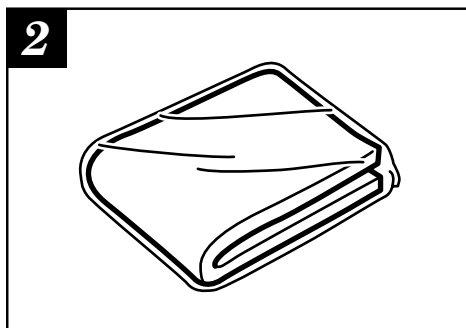
- Ne pas obstruer la prise d'air et les grilles de sortie avec des tentures, rideaux ou des stores. Ceci risque de réduire la performance.
- Ne pas utiliser dans une cuisine, un garage ou un endroit où il y a de la graisse, de l'huile ou des produits chimiques tels que les solvants ou les insecticides.
- Ne pas placer l'appareil sur ou près des sources de chaleurs telles que les cuisinières, radiateurs ou chaufferettes ou en plein soleil.
- Pour réduire les parasites d'origine électrique et l'interférence, ne pas placer sur ou à proximité de téléviseurs, appareils de surveillance des bébés ou téléphones cellulaires ni le brancher dans la même prise.

Installation du préfiltre à charbon

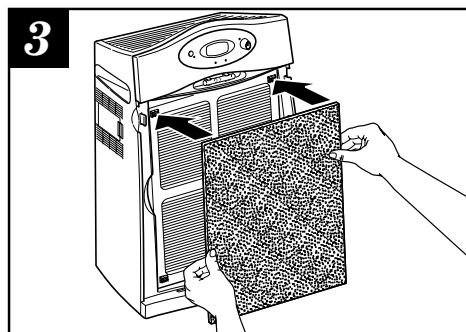


REMARQUE : Le préfiltre à charbon devrait être remplacé environ tous les trois mois.

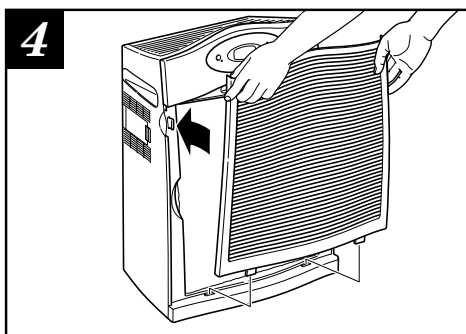
Retirer la grille d'entrée d'air en écartant soigneusement les deux onglets latéraux supérieurs du boîtier de l'épurateur d'air et en soulevant.



Localiser le préfiltre à charbon noir. Il sera plié à l'intérieur d'un sac en plastique. Sortir le préfiltre à charbon du sac et jeter le sac.



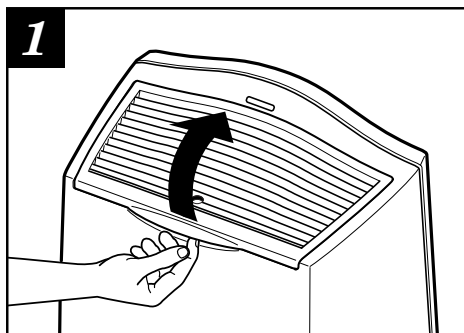
Déplier et aplatir le préfiltre à charbon noir. Fixer les quatre coins du préfiltre aux quatre crochets sur le filtre HEPA.



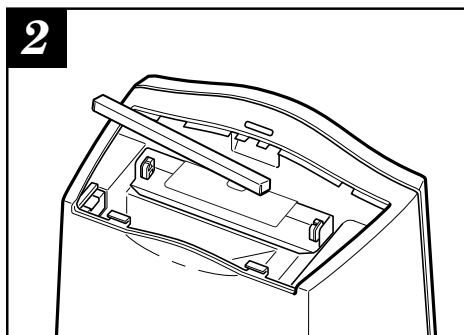
Insérer les deux onglets du bas de la grille d'entrée d'air dans les trous sur le bord inférieur de l'épurateur d'air. Faire pivoter la grille d'entrée d'air en place et appuyer légèrement sur les coins supérieurs de la grille pour la bloquer en place.

REMARQUE : L'épurateur d'air comporte un commutateur de protection empêchant le fonctionnement si la grille d'entrée d'air n'est pas bien installée. NE PAS tenter de contourner ou de désactiver ce commutateur de protection.

Installation de l'ampoule UV

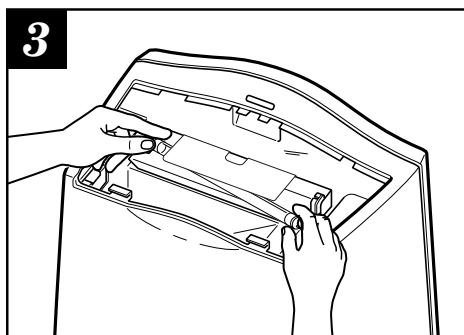


Ouvrir et retirer la grille de sortie en tirant sur la poignée à la partie arrière supérieure de l'épurateur d'air.



Retirer l'ampoule UV emballée de l'intérieur de l'épurateur d'air. **Veiller à ne pas toucher la partie en verre de l'ampoule.** Ne la manipuler que par les extrémités métalliques. L'huile du bout des doigts déposée sur l'ampoule de verre réduira la vie utile de l'ampoule. Déballez soigneusement l'ampoule et jetez l'emballage.

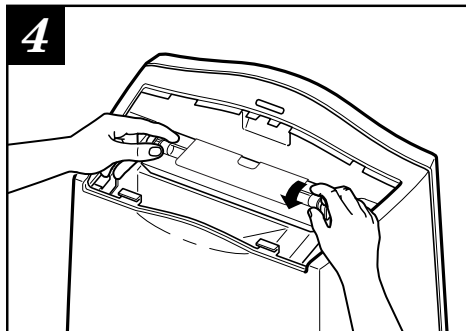
REMARQUE : Veiller à ce qu'il ne reste pas de matériel d'emballage à l'intérieur de l'épurateur d'air.



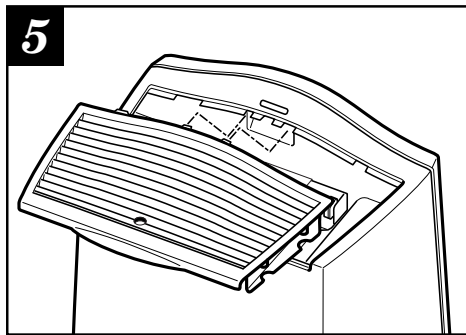
S'assurer que l'appareil est débranché. En commençant par une extrémité de l'ampoule, puis par l'autre, insérer doucement les broches métalliques de l'ampoule dans la prise blanche perforée, une broche à la fois.

REMARQUE: Une seule broche entrera dans la prise à la fois. **NE PAS** forcer les broches dans la prise – il y a risque de briser l'ampoule.

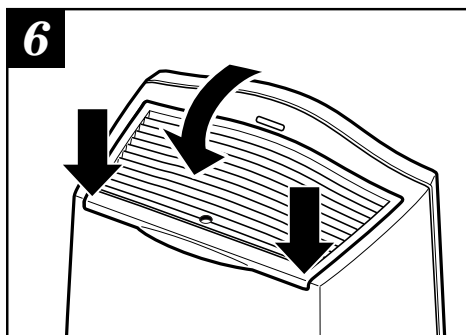
Installation de l'ampoule UV (suite)



Une fois que les extrémités de l'ampoule sont complètement insérées dans la prise, faire tourner l'ampoule un quart de tour jusqu'à ce qu'elle se verrouille en place.



Insérer les deux onglets centraux à l'avant de la grille de sortie dans les deux fentes du milieu à l'avant de l'ouverture. Faire pivoter la grille vers le bas et l'arrière de l'épurateur d'air.



Appuyer légèrement sur les coins arrière de la grille de sortie pour l'enclencher en place.

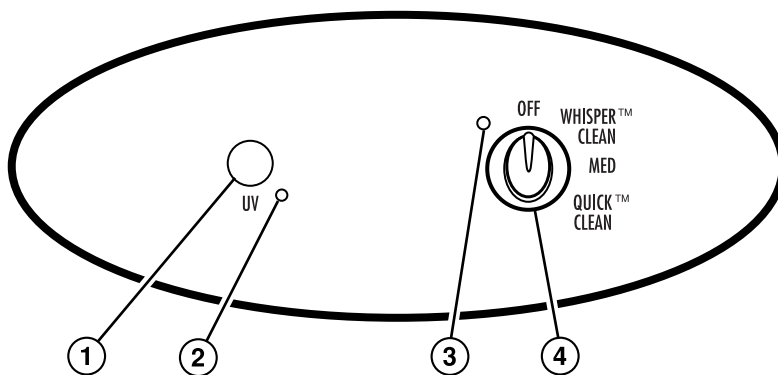
REMARQUE : L'épurateur d'air comporte un commutateur de protection empêchant le fonctionnement lorsque la grille de sortie supérieure n'est pas bien installée. NE PAS tenter de contourner ou de désactiver ce commutateur de protection. Voir l'avertissement du risque de lumière germicide à la page 3.

Branchement de l'épurateur d'air

AVERTISSEMENT : Pour réduire le risque de choc électrique, ne jamais brancher l'épurateur d'air avec des mains mouillées. Toujours débrancher l'épurateur d'air avant de le déplacer ou d'en faire l'entretien.

REMARQUE : La fiche polarisée ne peut être branchée que dans une direction – NE PAS tenter de forcer la fiche. Si la fiche ne peut pas être insérée dans la prise, la tourner dans l'autre sens. Si elle ne peut toujours pas être insérée dans la prise, contacter un électricien pour qu'il remplace la prise désuète.

Réglage des commandes – modèles à commande manuelle



1. Bouton UV germicide – Allume la lampe UV germicide pour réduire les bactéries nuisibles de l'air filtré. Lorsque ce bouton est activé, une lueur bleuâtre devrait être visible dans la fenêtre de vérification de l'ampoule UV sur le dessus de l'appareil.

REMARQUE : La lampe ne s'allumera pas si le ventilateur est éteint.

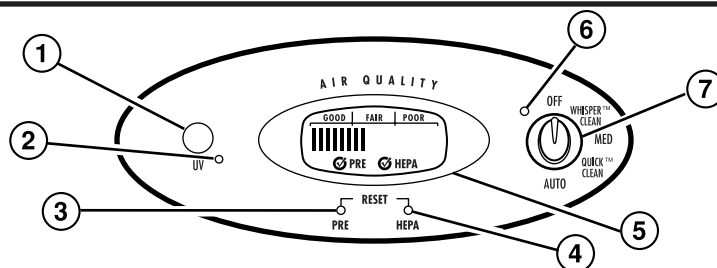
2. Indicateur UV « en marche » – Brille lorsque la lampe UV germicide est allumée.

3. Indicateur d'alimentation – Brille lorsque l'appareil est allumé.

4. Bouton de réglage de vitesse du ventilateur – Tourner le bouton de réglage de vitesse du ventilateur au réglage désiré. Il y a quatre réglages :

- *Off (arrêt)*
- *WhisperClean™* – L'utiliser pour un fonctionnement silencieux la nuit ou pour une filtration constante à faible vitesse.
- *Med* – Permet une vitesse de ventilation plus élevée; l'utiliser pour filtrer rapidement la poussière, le pollen, la fumée, etc. d'une pièce.
- *QuickClean™* – Permet le nettoyage en cas de besoins pressants.

Réglage des commandes – modèles AirSmart™



1. Bouton UV germicide – Allume la lampe UV germicide pour réduire les bactéries nuisibles de l'air filtré. Lorsque ce bouton est activé, une lueur bleuâtre devrait être visible dans la fenêtre de vérification de l'ampoule UV sur le dessus de l'appareil.

REMARQUE : La lampe ne s'allumera pas si le ventilateur est éteint.

2. Indicateur UV « en marche » – Brille lorsque la lampe UV germicide est allumée.

3. Bouton de remise à zéro de la minuterie du préfiltre

4. Bouton de remise à zéro de la minuterie du filtre HEPA

5. Affichage AirSmart™ – Lors de la mise en marche initiale, le capteur AirSmart™ analyse l'air pour déterminer la qualité courante de l'air. Une barre effectuera un va-et-vient sur l'affichage jusqu'à ce que la qualité de l'air soit déterminée. Cette opération prendra environ une minute. Le capteur continuera ensuite de surveiller et de montrer la qualité de l'air (mauvaise, acceptable, ou bonne) dans un graphique à barres sur l'affichage. Si le ventilateur est réglé à Auto, le capteur règle automatiquement la vitesse du ventilateur pour la purification d'air la plus efficace :

QUALITÉ DE L'AIR	VITESSE DE VENTILATEUR CHOISIE AUTOMATIQUÉMENT
Mauvaise	QuickClean™
Acceptable	Medium
Bonne	WhisperClean™

L'affichage comporte également des coches qui apparaîtront pour indiquer qu'il est temps de vérifier le préfiltre à charbon ou le filtre HEPA. Voir « Vérification des filtres » à la page 13. Une fois que les filtres ont été vérifiés, et si nécessaire, remplacés, appuyer sur le bouton RESET en retrait avec le bout d'un stylo, un cure-dents ou un petit clou. Cette opération remettra à zéro la commande de type « minuterie ».

6. Indicateur d'alimentation – Brille lorsque l'appareil est allumé.

7. Bouton de vitesse du ventilateur – Tourner le bouton de réglage de vitesse du ventilateur au réglage désiré. Il y a quatre réglages :

- *Off (arrêt)*
- *WhisperClean™* – L'utiliser pour un fonctionnement silencieux la nuit ou pour une filtration constante à faible vitesse.
- *Med* – Permet une vitesse de ventilation plus élevée; l'utiliser pour filtrer rapidement la poussière, le pollen, la fumée, etc. d'une pièce.
- *QuickClean™* – Permet le nettoyage en cas de besoins pressants.
- *Auto* – Fonctionne avec le capteur AirSmart™ et sélectionne automatiquement la vitesse du ventilateur en fonction de la qualité de l'air détectée. Il s'agit du réglage normal pour l'utilisation continue.

Nettoyage

L'épurateur d'air est conçu pour procurer des années de service sans problème avec un minimum d'entretien. Les instructions suivantes vous aideront à maximiser la vie et l'efficacité de votre épurateur d'air.



⚠ AVERTISSEMENT

Pour réduire le risque de choc électrique :

- Toujours débrancher l'appareil avant le nettoyage.
- Ne pas immerger dans l'eau ou autre liquide.

Nettoyage de l'épurateur d'air

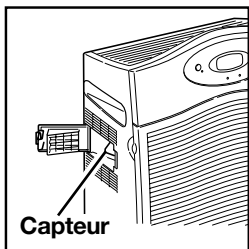
- Essuyer le boîtier, le panneau de commande et le cordon avec un linge ou une éponge humide.
- Il est possible d'enlever la grille d'entrée et de la laver dans de l'eau tiède savonneuse. Ne pas la placer dans le lave-vaisselle. S'assurer que la grille est complètement sèche avant de la réinstaller.
- La grille de sortie devrait être simplement époussetée. Elle ne doit pas être immergée dans l'eau.
- Aucune pièce de l'épurateur d'air ne devrait être placée dans un lave-vaisselle.

Nettoyage du capteur AirSmart™

Sur les modèles dotés du capteur AirSmart™, il est recommandé de nettoyer le capteur mensuellement.

1. Sortir le nettoyeur du capteur d'air du compartiment de rangement derrière la grille d'entrée (voir l'article 8, page 5).

2. Le capteur se trouve sur le côté de l'appareil.



Ouvrir le compartiment du capteur (tel qu'illustré), puis placer le nettoyeur du capteur d'air dans l'ouverture du capteur.

3. Effectuer un mouvement de va-et-vient avec le nettoyeur du capteur d'air de manière à nettoyer la lentille du capteur.
4. Fermer le compartiment du capteur et replacer le nettoyeur du capteur d'air dans son compartiment de rangement. Réinstaller la grille d'entrée. S'assurer que la porte est bien fermée sinon le réglage du capteur risque de ne pas fonctionner correctement.

Vérification des filtres

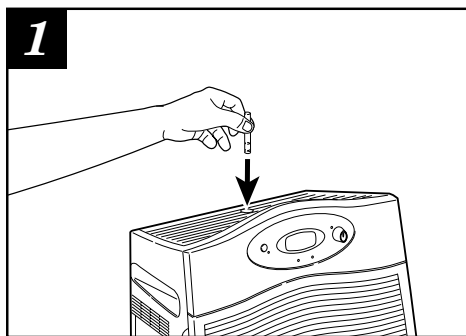
L'épurateur d'air comporte une jauge spéciale de vérification des filtres qui permet de vérifier l'état des filtres. Cette jauge se trouve dans un compartiment derrière la grille d'entrée frontale. Voir l'article 7 à la page 5 pour l'emplacement.

Le **filtre HEPA** devrait durer environ 12 mois en utilisation continue, moins longtemps dans les régions à niveau élevé de particules en suspension dans l'air telles que la poussière ou le pollen.

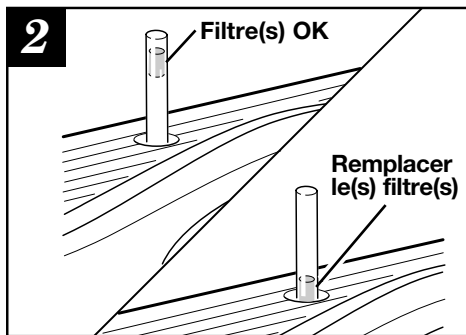
Le **préfiltre à charbon** durera environ trois mois.

REMARQUE : Vous devez réinstaller la grille d'entrée et l'enclencher avant de vérifier les filtres avec la jauge.

L'épurateur d'air ne fonctionnera pas en l'absence de la grille.



Introduire l'une ou l'autre extrémité de la jauge de vérification des filtres dans le trou à la partie supérieure de la grille de sortie. Tourner le ventilateur à QuickClean™.

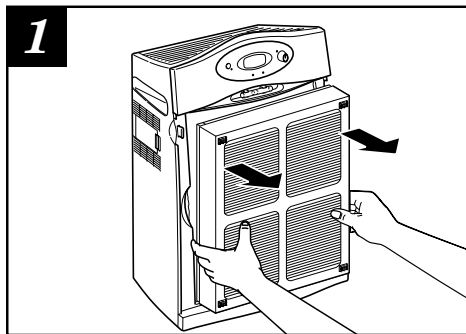


Le cylindre de couleur devrait monter dans la jauge de vérification des filtres. S'il ne se déplace pas du fond de la jauge, le(s) filtre(s) sont obstrués et doivent être remplacés.

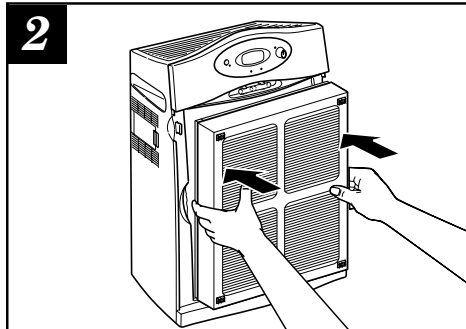
Remplacement du filtre HEPA

Le filtre HEPA durera normalement environ 12 mois avant de devoir être remplacé ou environ à chaque quatrième remplacement du préfiltre à charbon.

Si la jauge de vérification des filtres indique que le filtre doit être remplacé, il est recommandé de remplacer d'abord le préfiltre à charbon, puis d'utiliser la jauge de vérification pour vérifier de nouveau le filtre. Si le cylindre de couleur ne monte toujours pas dans la jauge, le filtre HEPA doit également être remplacé.



Éteindre et débrancher l'épurateur d'air. Retirer le filtre HEPA usagé en le saisissant par les côtés et en le tirant vers l'extérieur tel qu'indiqué. Mettre le filtre usagé au rebut. Il ne peut pas être nettoyé.



Se procurer un filtre de remplacement HEPA. Insérer le filtre HEPA non déballé, côté d'accrochage vers l'extérieur, dans l'épurateur d'air.

REMARQUE : L'installation incorrecte du filtre résultera en une mauvaise filtration de l'air.

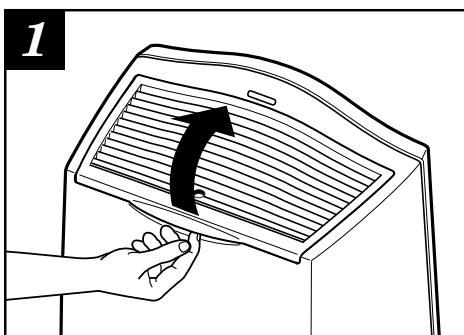
Remplacement de l'ampoule UV

L'ampoule UV est conçue pour un fonctionnement efficace continu d'environ un an. Après cette durée, bien que l'ampoule puisse demeurer allumée, son efficacité sera grandement réduite.

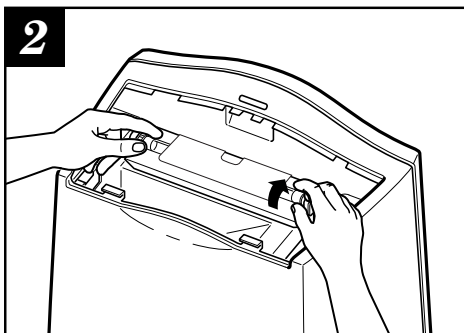
Pour obtenir une protection germicide maximale, remplacer l'ampoule UV lors du remplacement du filtre HEPA, ou si

la fenêtre de vérification de l'ampoule UV ne luit pas lorsque le commutateur UV est en marche. L'ampoule de rechange UV ne peut pas être achetée dans les magasins. Il est possible que des ampoules de rechange soient disponibles là où l'épurateur d'air a été acheté ou on peut les obtenir directement de Hamilton Beach.

Enlèvement de l'ampoule UV :



Éteindre et débrancher l'épurateur d'air. Ouvrir et retirer la grille de sortie d'air en tirant sur la poignée à la partie supérieure arrière de l'épurateur d'air.



Faire tourner doucement l'ampoule d'un quart de tour dans une direction ou l'autre, jusqu'à ce qu'elle se dégage de la douille. Tirer les broches hors des côtés de la douille, une extrémité à la fois.

Installation d'une nouvelle ampoule UV :

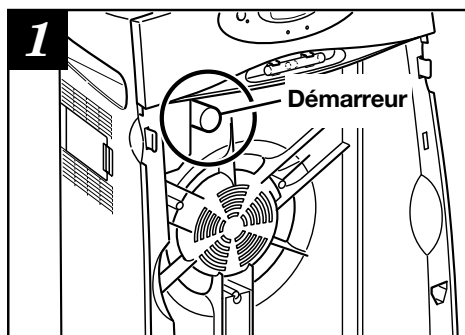
Voir les étapes 3 à 6 aux pages 8 et 9 pour installer la nouvelle ampoule UV. Veiller à mettre au rebut la vieille ampoule UV d'une manière sûre et responsable, conformément à toute réglementation locale, provinciale et fédérale.

Si la fenêtre de vérification de l'ampoule UV ne luit toujours pas, remplacer le démarreur.

Ne pas oublier que les huiles sur le bout des doigts réduiront la vie utile des ampoules. Ne pas toucher la partie en verre de l'ampoule.

Remplacement du démarreur UV

Si l'ampoule UV ne s'allume pas après avoir été remplacée, il faut remplacer le démarreur. Voir la page 4 pour les pièces de rechange.



Éteindre et débrancher l'épurateur d'air. Retirer la grille d'entrée et les filtres. Le démarreur est la petite pièce en forme de cylindre derrière le filtre.



Tourner le démarreur dans le sens antihoraire jusqu'à ce qu'il se dégage, puis le retirer. Pour installer le nouveau démarreur, l'introduire et le tourner dans le sens horaire. Réinstaller les filtres et la grille d'entrée.

Dépannage

La section suivante procure des solutions pour de nombreux problèmes et questions courants. Si l'épurateur d'air ne fonctionne pas correctement, examiner d'abord ces solutions. Si le problème n'est pas résolu après avoir pris connaissance de ce guide, composer notre numéro d'appel sans frais du service aux clients mentionné sur la couverture de ce manuel, pour obtenir de l'aide.

L'épurateur d'air ne s'allume pas

- La grille d'entrée et la grille de sortie sont-elles bien installées et verrouillées en place?
- L'épurateur d'air est-il branché sur une prise alimentée?
- Le bouton de vitesse du ventilateur est-il tourné à on (marche)?

L'épurateur d'air change de vitesse

- Les modèles AirSmart™ sont conçus pour détecter le niveau de contaminants dans l'air et ajuster la vitesse du ventilateur pour procurer la purification d'air la plus efficace possible. Si la commande AirSmart™ est réglée à Auto, elle modifiera automatiquement la vitesse du ventilateur en fonction de la qualité changeante de l'air.

Débit d'air réduit ou mauvaise filtration

- Il est possible que la grille d'entrée ou de sortie soit obstruée. S'assurer qu'il n'y pas d'obstruction devant ou sur le dessus de l'épurateur d'air.
- Il est possible que le préfiltre à charbon ou le filtre HEPA soit obstrué. Vérifier les filtres avec la jauge et les remplacer au besoin.

L'ampoule UV germicide ne s'allume pas

- Le commutateur UV est-il activé?
- Le ventilateur est-il en marche? L'ampoule UV ne s'allume pas à moins que le ventilateur ne soit en marche?
- Il est possible que l'ampoule soit grillée. Voir « Remplacement de l'ampoule UV » pour les instructions de remplacement.
- Il est possible que le démarreur UV ait besoin d'être remplacé. Voir « Remplacement du démarreur UV » pour les instructions de remplacement.

Service aux clients

Si vous avez une question au sujet de l'épurateur d'air, composer notre numéro sans frais de service aux clients. Avant de faire un appel, veuillez inscrire les numéros de modèle, de type et de série ci-dessous. Ces numéros se trouvent à l'arrière de l'épurateur d'air. Ces renseignements nous aideront à répondre beaucoup plus vite à toute question.

MODÈLE : _____ **TYPE :** _____ **SÉRIE :** _____

GARANTIE LIMITÉE

Ce produit est garanti exempt de vices de matériau et de fabrication pendant une période d'un (1) an à partir de la date de l'achat original, excepté ce qui est noté ci-dessous. Au cours de cette période, nous réparerons ou remplacerons ce produit sans frais, à notre discrétion. LA GARANTIE CI-DESSUS REMPLACE TOUTE AUTRE GARANTIE EXPRESSE OU IMPLICITE, ÉCRITE OU ORALE, Y COMPRIS TOUTE GARANTIE DE QUALITÉ MARCHANDE OU DE CONFORMITÉ À UNE FIN PARTICULIÈRE. TOUTE RESPONSABILITÉ EST EXPRESSÉMENT LIMITÉE À UN MONTANT ÉGAL AU PRIX D'ACHAT PAYÉ ET TOUTES LES RÉCLAMATIONS POUR DOMMAGES SPÉCIAUX ET INDIRECTS SONT PAR LES PRÉSENTES EXCLUES.

La garantie ne s'applique pas aux accessoires suivants qui pourraient être vendus avec ce produit : pièces en verre, récipients en verre, couteau/tamis, lames et/ou agitateurs. Cette garantie ne s'applique qu'à l'acheteur d'origine et ne couvre pas un vice causé par l'abus, le mésusage, la négligence, l'usage à des fins commerciales ou tout autre usage non prescrit dans le mode d'emploi. Cette garantie vous confère des droits juridiques spécifiques et vous pouvez aussi jouir d'autres droits juridiques qui peuvent varier d'un État à un autre ou d'une province à une autre. Certains États ou provinces ne permettent pas les limitations sur les garanties implicites ou les dommages spéciaux ou indirects de telle sorte que les limitations ci-dessus ne s'appliquent peut-être pas dans votre cas.

Si vous désirez procéder à une réclamation en vertu de cette garantie, NE RETOURNEZ PAS L'APPAREIL AU MAGASIN! Veuillez téléphoner au NUMÉRO DU SERVICE À LA CLIENTÈLE. (Pour un service plus rapide, ayez à portée de la main les numéros de série et de modèle et de type de votre appareil lorsque vous communiquez avec un représentant.)

NUMÉROS DU SERVICE À LA CLIENTÈLE

Aux États-Unis 1-800-851-8900

Au Canada 1-800-267-2826

Adresse du site Web : www.trueair.com

CONSERVEZ CES NUMÉROS POUR RÉFÉRENCE ULTÉRIEURE!

HAMILTON BEACH ♦ PROCTOR-SILEX, INC.

263 Yadkin Road, Southern Pines, NC 28387

PROCTOR-SILEX CANADA, INC.

Picton, Ontario K0K 2T0