

KF 1050 AROMA TIME
KF 1064 AROMA TIME
KF 1066 BLACK LINE

Kaffeeautomaten

Automatic coffee-makers

Cafetières

Macchine automatiche di cottura del caffè

Cafeteras automáticas

Gebrauchsanweisung

Operating instructions

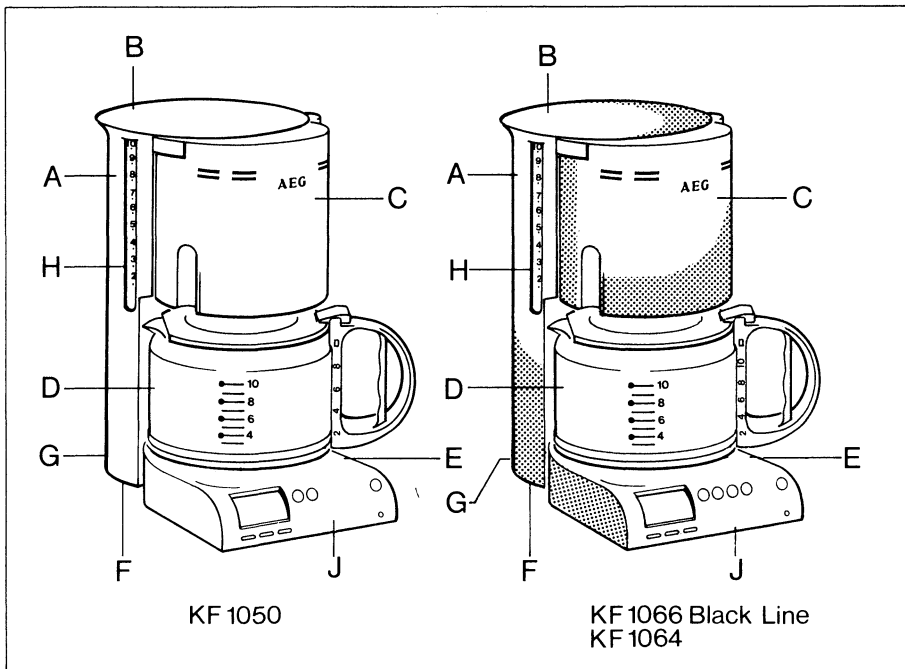
Mode d'emploi

Istruzioni per l'uso

Instrucciones para el uso

AEG

AUS
ERFAHRUNG
GUT

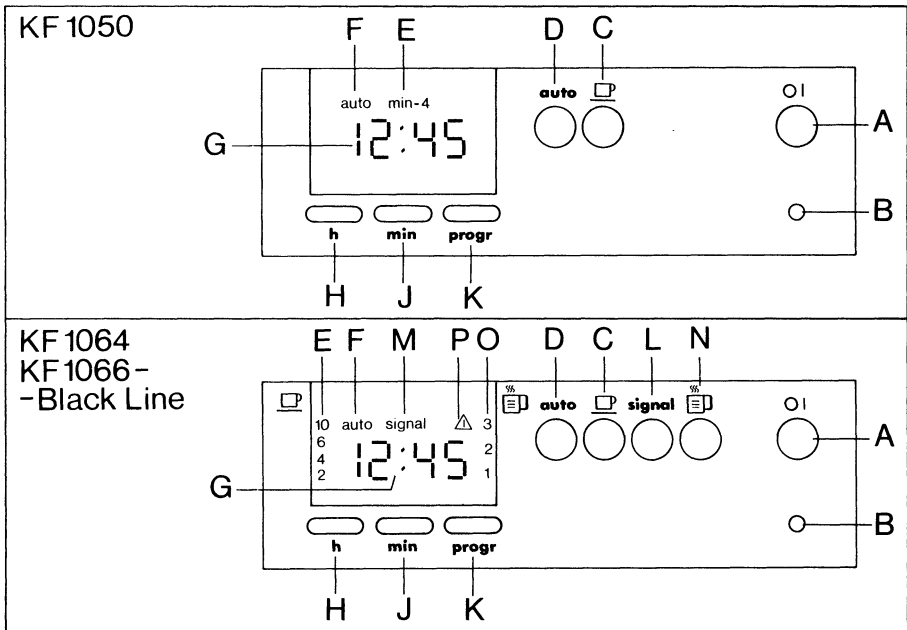


1

Ausstattung (Bild 1)

- A = Frischwasserbehälter
- B = Deckel für Frischwasserbehälter
- C = Schwenkfilter mit Antitropfventil
- D = Kaffeekrug mit Tassenmarkierung
- E = Warmhalteplatte, beschichtet
- F = Typschild (Geräteunterseite)
- G = Kabelfach (Geräterückseite)
- H = Wasserstandsanzeige
- J = Sockel mit Bedienelementen
(siehe auch Abb. 2)

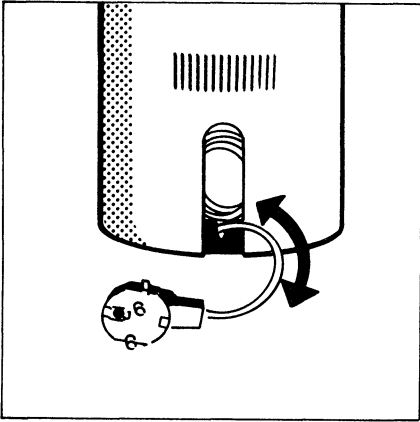
2



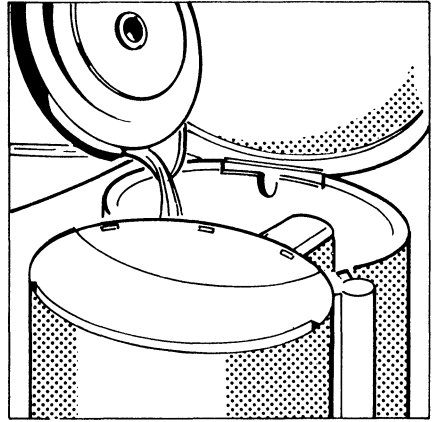
2

Bedienelemente (Bild 2)

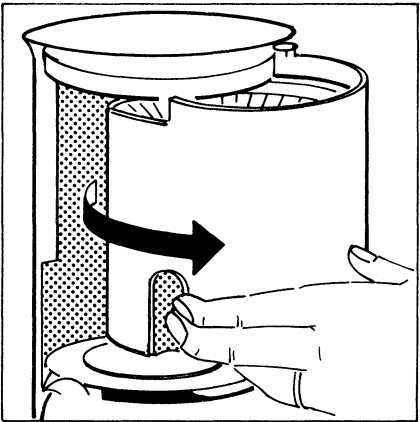
- A = Ein-/Ausschalter
- B = Betriebsanzeige
- C = Aromaschalter
 - 2stufig bei KF 1050
 - 4stufig bei KF 1064/KF 1066 Black Line
- D = Ein-/Ausschalter für Timer
- E = Anzeige für Tassenwahl
- F = Anzeige für Timer AN
- G = Anzeige für Uhrzeit
- H = Uhrstelltaste für Stunden
- J = Uhrstelltaste für Minuten
- K = Programmieraste für Timer
- L = Ein-/Ausschalter für Kaffee-Fertig-Signal
- M = Anzeige für Kaffee-Fertig-Signal AN
- N = Taste zur Vorwahl der Warmhaltestufe
- O = Anzeige für Warmhaltestufe
- P = Entkalkungsanzeige



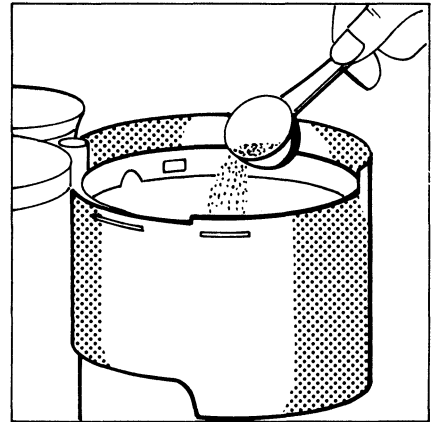
3



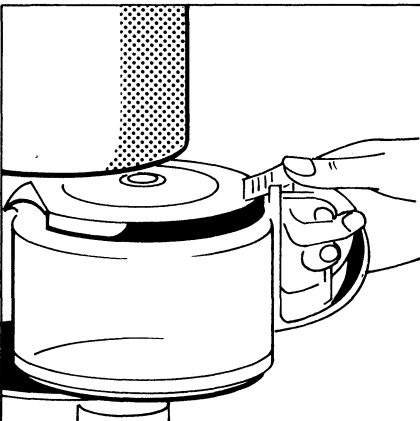
4



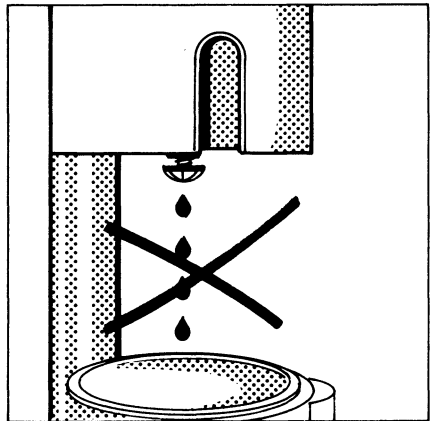
5



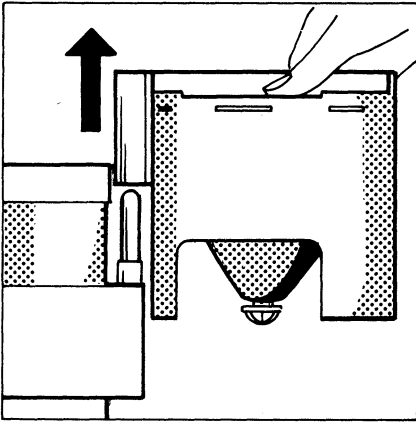
6



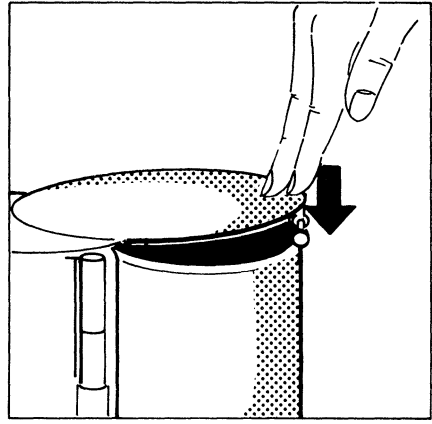
7



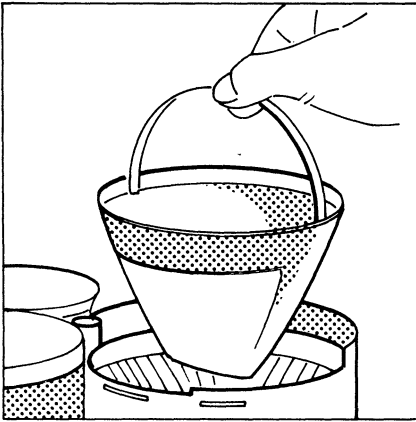
8



9



10



11

Features (Fig. 1)

- A = Fresh-water tank
- B = Lid of fresh-water tank
- C = Swivelling filter with anti-drip valve
- D = Coffee jug with markings for number of cups
- E = Coated warming plate
- F = Rating plate (underneath)
- G = Cable-store (underneath)
- H = Water level indicator
- J = Base with controls (see also Fig. 2)

Controls (Fig. 2)

- A = On/Off switch
- B = Pilot light
- C = Aroma switch
 - 2-level on the KF 1050
 - 4-level on the KF 1064/KF 1066 Black Line
- D = On/Off switch for timer
- E = Indicator of number of cups
- F = Indicator showing timer ON
- G = Indicator for time of day
- H = Timer setting button for hours
- J = Timer setting button for minutes
- K = Programming button for timer
- L = On/Off switch for coffee's-ready! signal
- M = Indicator showing coffee's-ready! signal ON
- N = Button for pre-selecting warming level
- O = Indicator for warming level
- P = De-scaling indicator

Congratulations!

on the purchase of your new AEG coffee machine.

You have now bought a modern, reliable appliance with which you will certainly be only too glad to make plenty of good, fresh coffee.

As with any technical appliance, there are with this coffee machine one or two basic principles that have to be observed and kept to. So please read the usage instructions carefully and keep them in a safe place. Please pay particular attention to the safety instructions.

Safety instructions

Before using the appliance for the first time it is absolutely essential that you read the operating instructions very carefully

1. The voltage available must be the same as that shown on the rating plate!
2. Never allow the electric lead to come into contact with the warming plate.
3. Never pull the plug out of the socket by tugging on the lead.
4. Never operate the appliance if:
 - the lead is damaged
 - there is visible damage to the housing.
5. For technical reasons the warming plate, the overflow pipe, and the filter become HOT during operation. Keep children at a safe distance!
6. Never fill the appliance with water if it is hot. Switch the appliance off and allow it to cool down for about 5 minutes.
7. Follow the instructions for de-scaling.
8. Before caring for or cleaning the appliance, make sure it is switched off and the plug is pulled out of the socket.
9. Never immerse the appliance in water.

If any repair should be necessary, including the replacement of the lead, the appliance should be sent to the dealer from whom it was bought (as special tools have to be used) or to an AEG Customer Service Centre (see list on last page).

Repairs to electrical appliances must only ever be carried out by qualified electricians. Unauthorised tampering can lead to serious danger for the user. No legal liability can be accepted for any damage arising from the appliance being used for the wrong purpose or operated improperly. This appliance meets the requirements of radio and tv interference suppression defined in EC Directive 87/308/EEC, EN 55014/DIN VDE 0875 Part 1, and the standard covering the retroactive effect on the mains EN 60555 Parts 1-3/DIN VDE 0838 Parts 1-3.

Cable compartment (Fig. 3)

Your coffee machine has a compartment for the lead. If the lead is longer than it needs to be to reach the socket you can "park" the superfluous length in the compartment at the back of the appliance.

Before using the appliance for the first time

Before making coffee for the first time, run the appliance once or twice only with water to ensure it is perfectly clean.

To do this, fill the fresh-water container to the highest marking with cold water, switch on, and let it run through into the jug without any coffee or filter-paper in the filter.

Making coffee

1. Filling with water (Fig. 4)

Open the lid of the fresh-water tank (Fig. 1/B) and fill the tank with clear, cold water from the tap. You can use the coffee jug to fill the required quantity. There are markings showing the number of cups:

- inside the fresh-water tank
- on the coffee jug, and
- on the appliance's outside water-level indicator.

The markings apply to the quantity of fresh water. The amount of coffee then produced is less because the ground coffee absorbs water.

Close the lid of the fresh-water tank.

Never use hot water, and never pour milk, liquid coffee, tea, etc., into the fresh-water tank.

Note concerning the lid of the fresh-water tank

In order to prevent the hinge of the fresh-water tank lid from being broken off, the lid will come out of its hinge mounting if it is opened too far towards the rear. To fit it back into place, lay the lid on top of the fresh-water tank and press the lid down in the area of the hinge until it clicks into place (Fig. 10).

2. Inserting filter paper

To open the filter, reach with your finger-tips into the slot and swing the filter outwards (Fig.5). Insert a paper filter, size 4, into the filter funnel. Please fold the side and bottom fins of the filter paper inwards first.

3. Filling the ground coffee (Fig. 6)

Please use medium-grade ground coffee. The quantity of coffee you use is a matter of your personal taste. One measure (about 6 or 7 grammes) per cup will produce coffee of medium strength (by German standards). Swing the filter back into its original position until you hear it click into place.

4. Place the coffee jug with its lid on the warming plate (Fig. 7).

5. Pre-select number of cups

Before switching the appliance on, select the required number of cups by using the aroma switch "☐" (Fig. 2/C).

The length of time the coffee takes to brew is varied by means of the aroma switch. Setting a small number of cups results in a longer brewing time, so that the water remains in contact with the ground coffee for longer and the aromatic ingredients in it are dissolved better.


- **KF 1050:** Press the aroma switch once (Fig. 2/C), and the indicator will appear for “min -4” as the number of cups (Fig. 2/E). This switch setting will guarantee you the full coffee aroma when you make up to four cups.
Press the aroma switch again (Fig. 2/C) and the indicator for “min -4” will vanish from the display (Fig. 2/E). This is the correct setting for making two to ten cups.
- **KF 1064 and KF 1066 Black Line:** The aroma switch (Fig. 2/C) guarantees you the full aroma regardless of the number of cups you make.
You can select whether you wish to make up to 2, up to 4, up to 6, or up to 10 cups of coffee.
When you plug your coffee-maker in to the mains, the aroma level “Up to 10 cups” will be selected because it is pre-set in the factory. The “10” will light up in the indicator for the number of cups (Fig. 2/E).
By pressing, however, you can determine the number of cups to be made. Each time you press the aroma switch (Fig. 2/C), the indicator for the number of cups (Fig. 2/E) will move one step at a time downwards, starting with “10”.
When the appliance is next switched on again, the figure for the number of cups will automatically appear which was selected last time.

6. Switching the appliance on

Having selected the number of cups, switch the appliance on by means of the “O” button (Fig. 2/A). The pilot light (Fig. 2/B) will come on. After a few seconds, hot water starts to flow into the filter.

Selecting the warming temperature (only KF 1064 and KF 1066 Black Line)

In addition to the aroma function, your automatic coffee-maker provides every possibility for you to set it individually to suit your habits.

When you press the aroma switch (Fig. 2/C), the middle level, “2”, will appear (Fig. 2/O) because it is pre-set in the factory. By pressing the “” button for the warming level (Fig 2/N), however, you can pre-select a lower warming temperature independently of this, at Level 1, or a high temperature at Level 3. The warming level selected will appear in the display (Fig. 2/O).

When the appliance is next switched on again, the figure for the warming level will automatically appear which was selected last time.

Initial brewing phase (only KF 1064 and KF 1066 Black Line)

Your coffee-makers has a function called an initial brewing phase to ensure **the maximum coffee aroma**.

After the first small quantity of water has dampened the ground coffee in the filter, the coffee-making cycle is then interrupted for a short time.

During this time, the ground coffee soaks up the water, thus enabling it to develop its full aroma.

The result is **the maximum coffee aroma**.

7. Taking the jug out

When the jug is taken out, the filter valve prevents drips from dropping onto the warming plate. The warming plate always keeps the coffee hot enough to drink.

Automatic switch-off after end of cycle: As a safety device for your protection, the appliance automatically switches itself off about two hours after it has finished brewing, even if you have programmed the timer (see below).

Please remember: to make sure the coffee is of uniform strength, you should stir it before pouring it out.

When the cycle has finished and you wish to fill more water into the tank for the next batch of coffee, please switch the appliance off and wait a few minutes for it to cool down.

Coffee's-ready! signal (only on KF 1064 and KF 1066 Black Line)

Pressing the "signal" button (Fig. 2/L) will activate the Coffee's-ready! signal, and the lettering "signal" will appear in the display (Fig. 2/M). At the end of the brewing cycle you will hear an audible signal to tell you: Coffee's ready!

Once it has been activated, the Coffee's-ready! signal will sound both in timer operation (see next section) and in normal operation. Press the "signal" button once again to turn the Coffee's-ready! signal off, and the lettering "signal" will disappear from the display.

Programming the timer

Your AEG coffee-maker possesses a timer with which the time of day can be set and the coffee-maker programmed to switch itself on up to 24 hours later.

1. Setting the time of day

Set the correct hours and minutes by means of the buttons "h" (Fig. 2/H) and "min" (Fig. 2/J), which you press once each to advance the time by one hour or one minute. If you hold these buttons down, the figures will run continue to run automatically in the display until you let go of the button again.

The buttons are secured against being accidentally re-set. To adjust the time of day, you have to hold the buttons down for about two seconds before the time can be altered.

2. Programming the switch-on time.

First press the "prog" button (Fig. 2/K). By pressing the "h" button (Fig. 2/H) or "min" (Fig. 2/J) immediately afterwards you can programme the switch-on time in just the same way as you set the time of day. The display reverts automatically from the programmed time to the time of day.

Once the switch-on time has been programmed it remains pre-set, and can be checked at any time by pressing the "prog" button (Fig. 2/K).

Note: The switch-on time must be programmed before you can activate the timer.

3. Activating the timer

After you have programmed the switch-on time, activate the timer function by pressing the "auto" button (Fig. 2/D). The lettering "auto" will appear in the display (Fig. 2/F). The switch-on time previously selected will become active again every 24 hours in the timer-operation condition, i.e. so long as the letter "auto" is visible in the display.

The data stored in the timer will not be lost if the power should fail for a short time.

If you wish to use the appliance in the normal mode of operation again, press the "auto" button once again and the "auto" lettering in the display will disappear. You can also switch the appliance on directly with the "OI" button (Fig. 2/A). The lettering "auto" will then disappear from the display and the operational mode indicator (Fig. 2/B) will light up.

Cleaning

The swivelling filter can be taken out for cleaning (Fig. 9). Swing it out to the right as far as it will go. It can then be lifted out. To clean the filter valve thoroughly, please actuate it several times while washing it up. To fit the swivelling filter back into place, hook it on to the hinge joint from above and swing it in to the left. Clean the appliance all over with a damp cloth – but never immerse it in water!

The coffee jug and its lid are safe in a dish-washing machine.

De-scaling

... so that your coffee-maker will continue to serve you for many years

The service life of your coffee-maker will be longer if you de-scale it regularly. If you use a gold filter, this must be taken out of the swivelling filter before de-scaling starts. An environmentally friendly de-scaling agent should be used, such as is widely available in the trade. Only ever use it in accordance with the manufacturer's instructions. You **first** fill the fresh-water tank with water, and **then** you add the de-scaling agent to it. Then, swing the swivelling filter back into the appliance and place the coffee jug, with its lid, on the warming plate. (Please note that the jug lid has the job of opening the filter valve, so a cycle can only run properly if it is in place.) Leave the solution for 15 minutes to work in.

- **KF 1050:** Now switch the appliance on by means of the "OI" button (Fig. 2/A) and let the water and de-scaling agent run through.
- **KF 1064 and KF 1066 Black Line:** These appliances are equipped with a de-scaling programme, which can be started at any time if the appliance is switched off.

If de-scaling is necessary, the de-scaling display (Fig. 2/P) will start to **flash**. It does not stop flashing until the appliance has been sufficiently de-scaled.

Fill the fresh-water tank with water and de-scaling agent as described above, and then activate the de-scaling programme by pressing the "signal" button (Fig. 2/L) and the button for pre-selecting the warming level (Fig. 2/N) both at the same time and holding them down for about 3 seconds. The de-scaling indicator in the display now comes on and stays on, and the pilot light (Fig. 2/B) comes on to show that the de-scaling programme has started. The water and de-scaling agent will now remain in the through-flow heater for some minutes. This increases its cleaning effect. Once the de-scaling cycle has finished, the appliance will switch itself off again. If the fresh-water tank has been filled to its maximum level, the de-scaling cycle will take about 60 minutes.

A second and even a third de-scaling cycle may be necessary, all according to the level of scale build-up.

In order to prevent the de-scaling programme from affecting the flavour of your coffee, after de-scaling the appliance switch it to normal operation and run at least two cycles through it with plain water.

– **KF 1064 and KF 1066 Black Line:**

If the de-scaling indicator (Fig. 2/P) starts to flash again, you need to repeat the de-scaling cycle at least once.

Rinse the coffee jug, jug lid, and swivelling filter thoroughly under running water. Actuate the filter valve several times during this process.

Replacement parts/accessories

1. Coffee jug

If your coffee jug should ever get broken, you can purchase a replacement from your dealer or from the AEG service centre, stating the model designation of your coffee-maker (see rating plate, Fig. 1/F).

2. Gold filter (Fig. 11)

You can purchase an AEG gold filter from your dealer or the AEG service centre. This is made of 23-carat gold, and takes the place of disposable paper filters. It is easy to clean, and also suitable for brewing tea.

For the sake of the environment

Do not simply throw the packaging away, but follow these instructions:

– Cardboard packaging material can be handed in as salvage at your local waste-paper collection point.

If the following packaging materials have been used ...

– Plastic bags made of polythene (PE) can be handed in to your local PE collection point.

– Padding made of expanded polystyrol (PS) are free of CFC's and can be handed in to your local collection point (recycling depot).

Please ask your local authority for the address of your nearest recycling depot.

After-sales service

We demand the highest quality of ourselves and our products.

But it is only with your help that we can develop and market appliances which exactly meet your requirements.

So if you should nevertheless have any problem in using this appliance, please write to us at the address enclosed.