



# REFRIGERATION

## Built-In 36"W. All Refrigerator



### Standard Features & Accessories

#### All models include

- Capacity—22.8 cu. ft. (645.2 L)
  - 84"H./24"D.
- ProChill™ Temperature Management System
  - Variable-speed single compressor system
  - Electronic controls maintain the temperature selection within 1°F
  - Multi-channel airflow system removes odors and excess humidity
- Convertible temperature-controlled Meat Savor™/produce drawer with precision ball-bearing glides
  - Separate temperature control can be set for produce or fresh meat storage
  - Quick-chill option chills food and beverages in minutes
- Six adjustable tempered glass spillproof shelves (four half-width, two full-width)
- Two deli drawers
- Two moisture adjustable see-through produce drawers with precision ball-bearing glides
- Two in-the-door dairy compartments
- Five adjustable aluminum door bins (two half-width, three full-width)
- Top-shelf provides quick chill-down area
- Wine trivet, egg bin, and butter tray
- Top-mounted and front-venting sealed refrigeration system
- Dual magnet and spring-assisted door closer mechanism
- Robust, heavy-duty door hinges
- Power interruption switch to turn off all power
- Automatic energy-saving moisture control
- Open door alarm sounds and glows to warn that door has been ajar for three minutes
- Adjustable door stops standard—90°, 110°, or 120° swing
- Sabbath Mode
- For installation of two units together, separate grille kit must be purchased
- Must be ordered right or left hinge. (As you face unit, RIGHT has hinge on right side and handle on left side; LEFT has hinge on left side and handle on right side.)

### Model Options



**VCRB364/VIRB364**  
Professional/Professional Integrated

- FINISH DETAILS FOR VCRB/VIRB MODELS**
- Stainless Steel (SS), Black (BK), White (WH), Metallic Silver (MS), Graphite Gray (GG), Stone Gray (SG), Taupe (TP), Biscuit (BT), Cotton White (CW), Oyster Gray (OG), Golden Mist (GM), Lemonade (LE), Sage (SA), Mint Julep (MJ), Sea Glass (SE), Iridescent Blue (IB), Viking Blue (VB), Pumpkin (PM), Racing Red (RR), Apple Red (AR), Burgundy (BU), Plum (PL), Chocolate (CH), and Cobalt Blue (CB).
  - Finish codes designate door front. Stainless steel upper grille, side trim, and handle (with chrome-plated brackets); black lower kickplate.
  - Brass Trim Option (BR)—nameplate, handle/brackets, and side trim. Brass components have a durable protective coating for maintenance-free normal use.



**DDRB364**  
Designer

- FINISH DETAILS FOR DDRB MODEL**
- Stainless Steel (SS), Black (BK), White (WH), Metallic Silver (MS), Graphite Gray (GG), Stone Gray (SG), Taupe (TP), Biscuit (BT), Cotton White (CW), Oyster Gray (OG), Golden Mist (GM), Lemonade (LE), Sage (SA), Mint Julep (MJ), Sea Glass (SE), Iridescent Blue (IB), Viking Blue (VB), Pumpkin (PM), Racing Red (RR), Apple Red (AR), Burgundy (BU), Plum (PL), Chocolate (CH), and Cobalt Blue (CB).
  - Finish codes designate door front. Stainless steel upper grille, side trim, and handle, with black lower kickplate.
  - Brass Trim Option (BR)—handle. Brass components have a durable protective coating for maintenance-free normal use.



**DFRB364**  
Custom Front

- FINISH DETAILS FOR DFRB MODEL**
- Handle not included—opt for custom handle, or purchase a Viking Professional Series or Designer Series handle kit (see **Installation Notes & Accessories**).
  - See **Custom Panels** section for more information and additional specifications.

#### ORDERING INSTRUCTIONS

First specify model number, followed by hinge preference ("R" for right or "L" for left), and then color code (VCRB364**RSS**). If ordering optional brass trim, specify code at end (VCRB364**RSSBR**).





# REFRIGERATION

## Built-In 36" W. All Refrigerator



★ Please see Installation Notes & Accessories for important information, including panel, grille, trim, and handle kits.

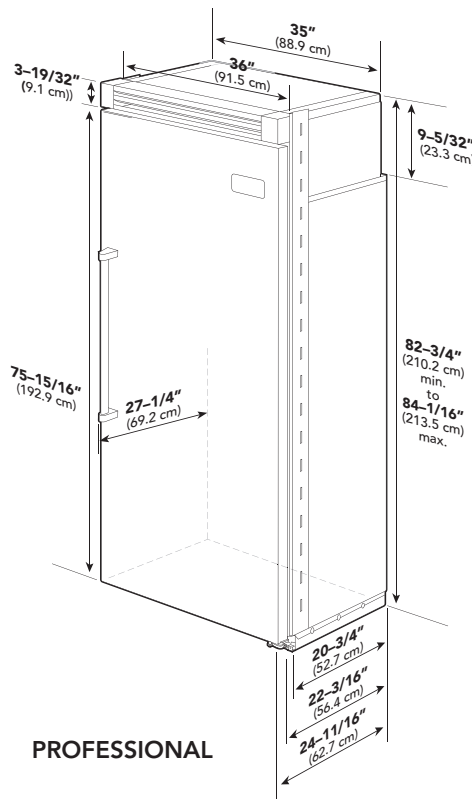
### Dimensions & Specifications

#### PRODUCT DIMENSIONS

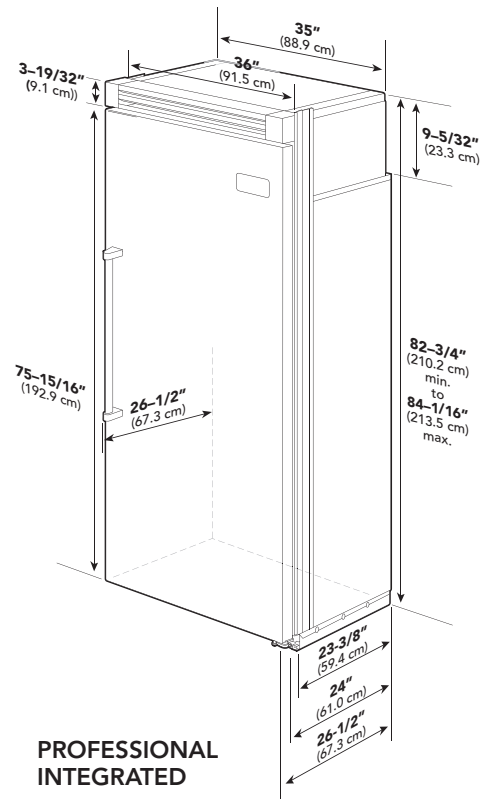


VCRB364/VIRB364  
Professional/  
Professional Integrated

★ ALL MODELS  
Star-K Kosher Certification for use on the Jewish Sabbath or Jewish holidays



PROFESSIONAL



PROFESSIONAL INTEGRATED

|                              | VCRB364   | VIRB364           |
|------------------------------|---|-------------------|
| Overall width                | 36" (91.5 cm)                                       |                   |
| Overall height (from bottom) | 82-3/4" (210.2 cm) min. to 84-1/16" (213.5 cm) max. |                   |
| Overall depth (from rear)    |   |                   |
| To front edge of side trim   | 22-3/16" (56.4 cm)                                  | 23-3/8" (59.4 cm) |
| To front of top grille       | 24-11/16" (62.7 cm)                                 | 24" (61.0 cm)     |
| To front of handle           | 27-1/4" (69.2 cm)                                   | 26-1/2" (67.3 cm) |
| Approx. ship weight          | 500 lbs. (227.3 kg)                                 |                   |





★ Please see **Installation Notes & Accessories** for important information, including panel, grille, trim, and handle kits.



Star-K Kosher Certification for use on the Jewish Sabbath or Jewish holidays

## Dimensions & Specifications

### PRODUCT DIMENSIONS

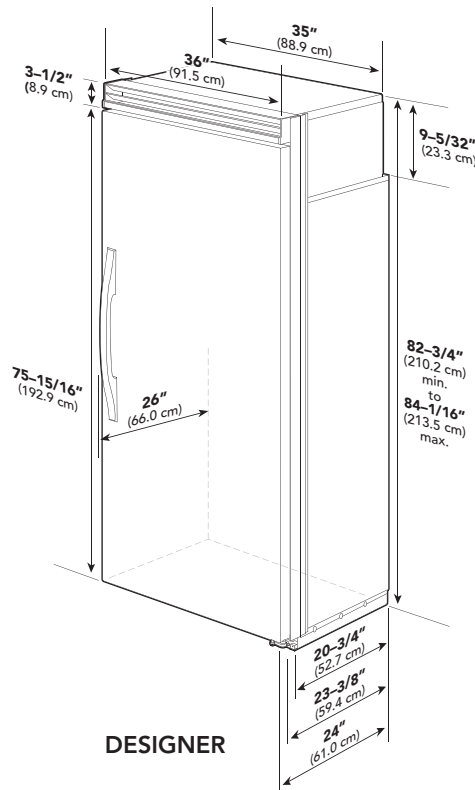


**DDRB364**  
Designer

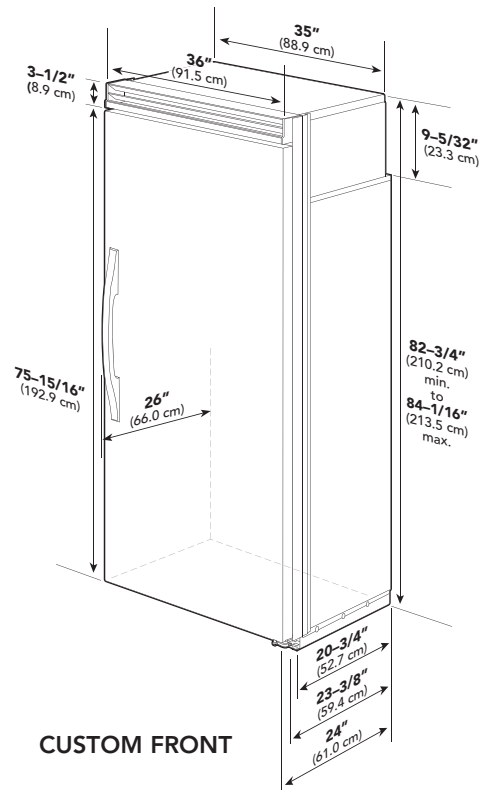


**DFRB364**  
Custom Front

See **Custom Panels** section for more information and additional specifications.



**DESIGNER**



**CUSTOM FRONT**

|                              | <b>DDRB364</b>   | <b>DFRB364</b>      |
|------------------------------|--|---------------------|
| Overall width                | <b>36" (91.5 cm)</b>                                       |                     |
| Overall height (from bottom) | <b>82-7/8" (210.5 cm) min. to 84-1/16" (213.5 cm) max.</b> |                     |
| Overall depth (from rear)    | 23-3/8" (59.4 cm)  |                     |
| To front edge of side trim   | 23-3/8" (59.4 cm)  | 23-13/16" (60.5 cm) |
| To front of top grille       | 24" (61.0 cm)  | 24-3/4" (62.9 cm)   |
| To front of handle           | 26" (66.0 cm)  | Varies              |
| Approx. ship weight          | <b>500 lbs. (227.3 kg)</b>                                 |                     |



### Dimensions & Specifications

#### DOOR SWING

- Adjustable door stops standard—90°, 110°, or 120° swing



**VCRB364/VIRB364**  
Professional/  
Professional Integrated

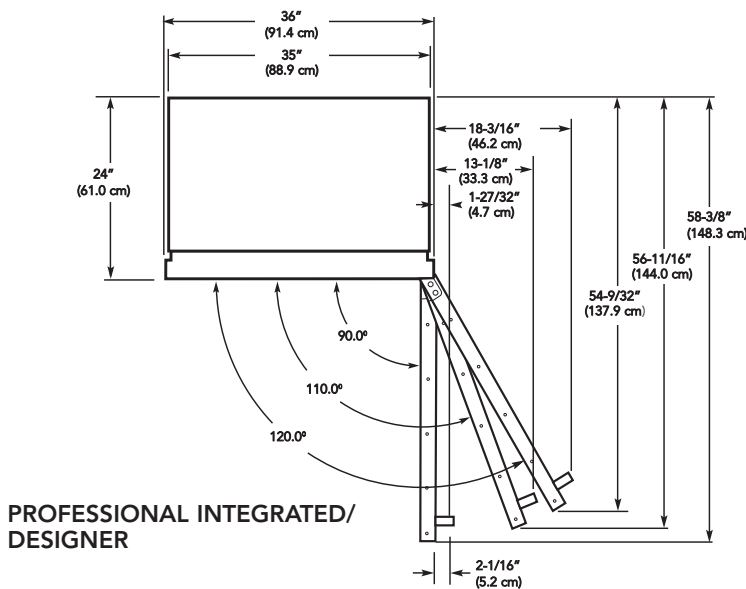
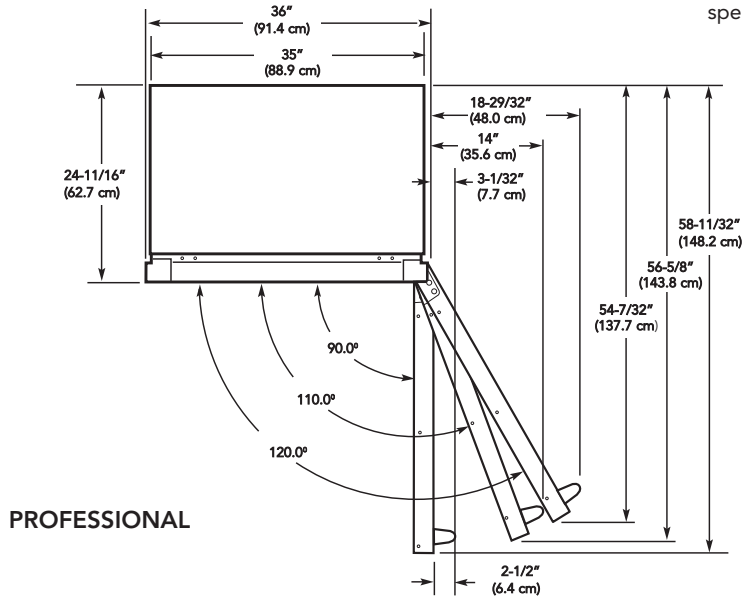


**DDRB364**  
Designer



**DFRB364**  
Custom Front

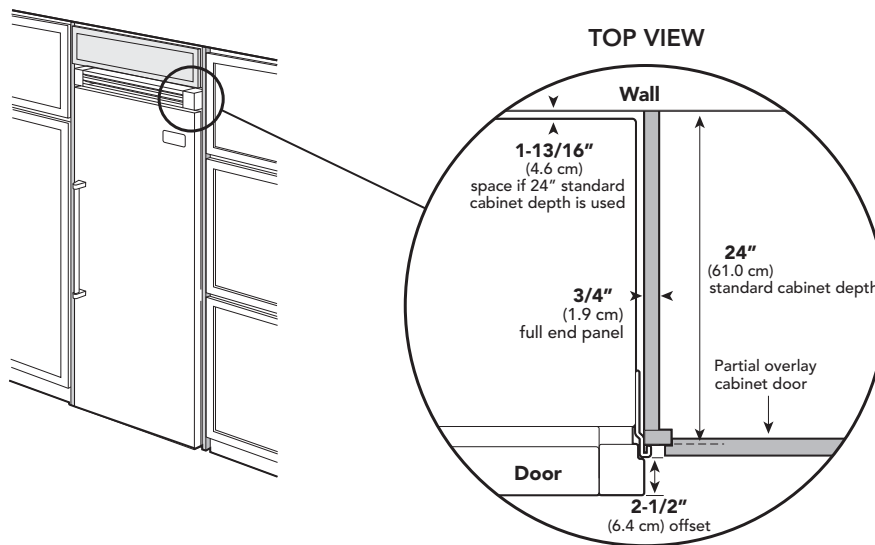
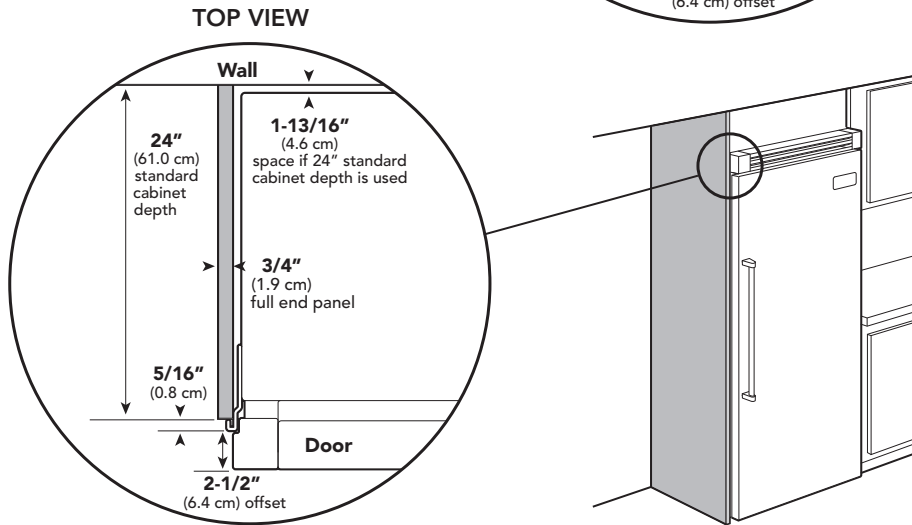
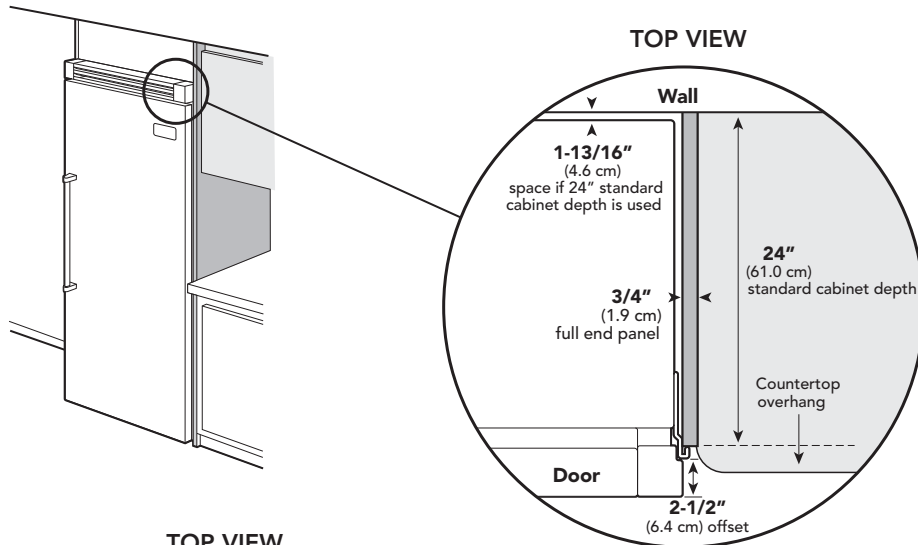
See **Custom Panels** section for more information and additional specifications.





### Dimensions & Specifications

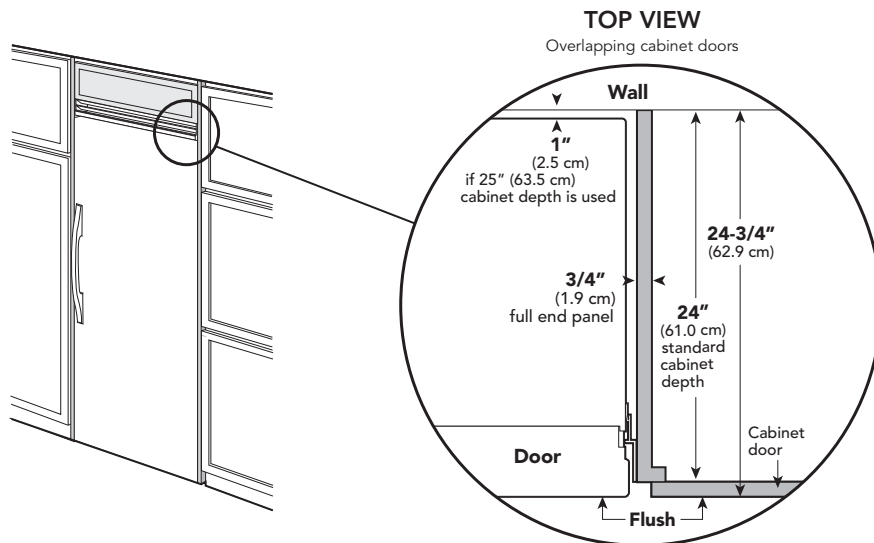
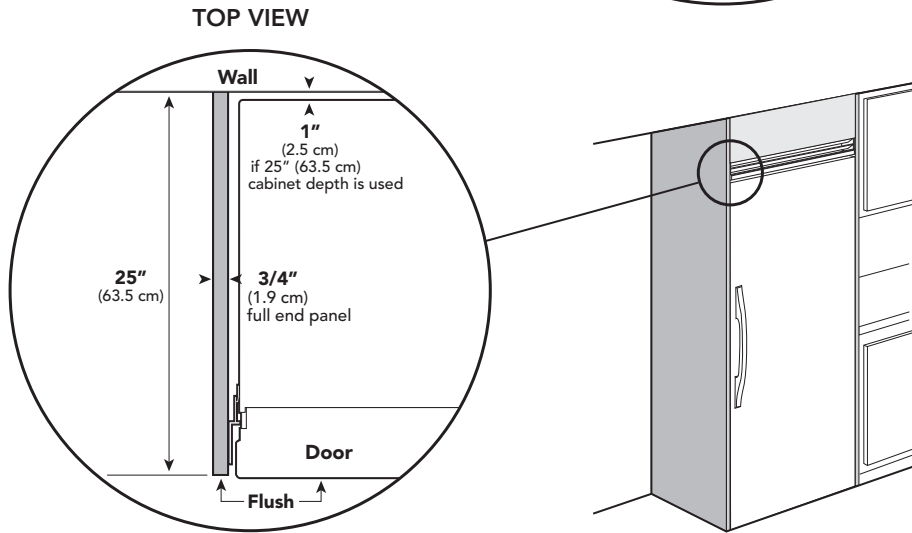
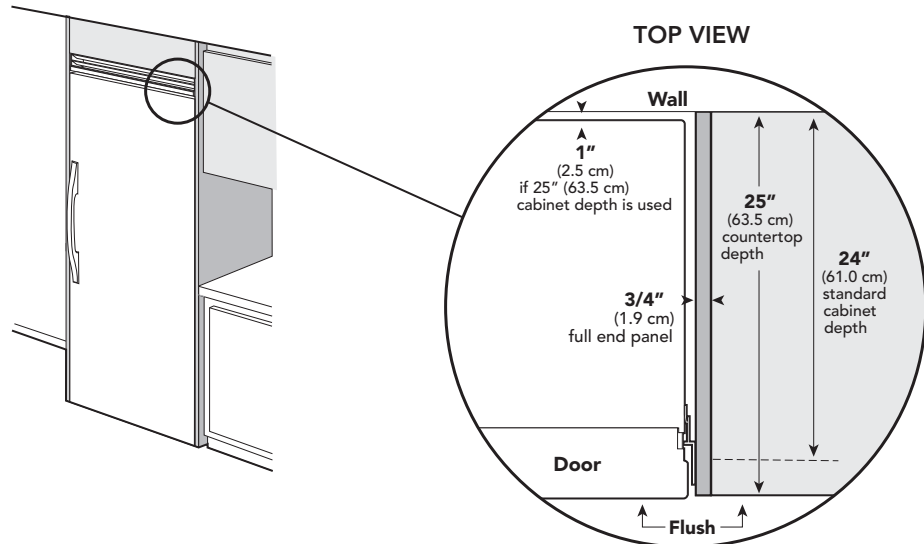
#### CLEARANCE DIMENSIONS—PROFESSIONAL





**Dimensions & Specifications**

**CLEARANCE DIMENSIONS—PROFESSIONAL INTEGRATED/DESIGNER**





### UTILITY REQUIREMENTS



**GAS**  
Not applicable



**ELECTRICAL**

- Three-wire cord with grounded three-prong plug attached to product
- 115 VAC/60 Hz; 15 amp dedicated circuit
- Maximum amp usage—6.5
- Estimated energy usage—449 kWh/year



**PLUMBING**  
Not applicable

## Installation Requirements

### ACCESS REQUIREMENTS – Single Installation



**VCRB364/VIRB364**  
Professional/  
Professional Integrated

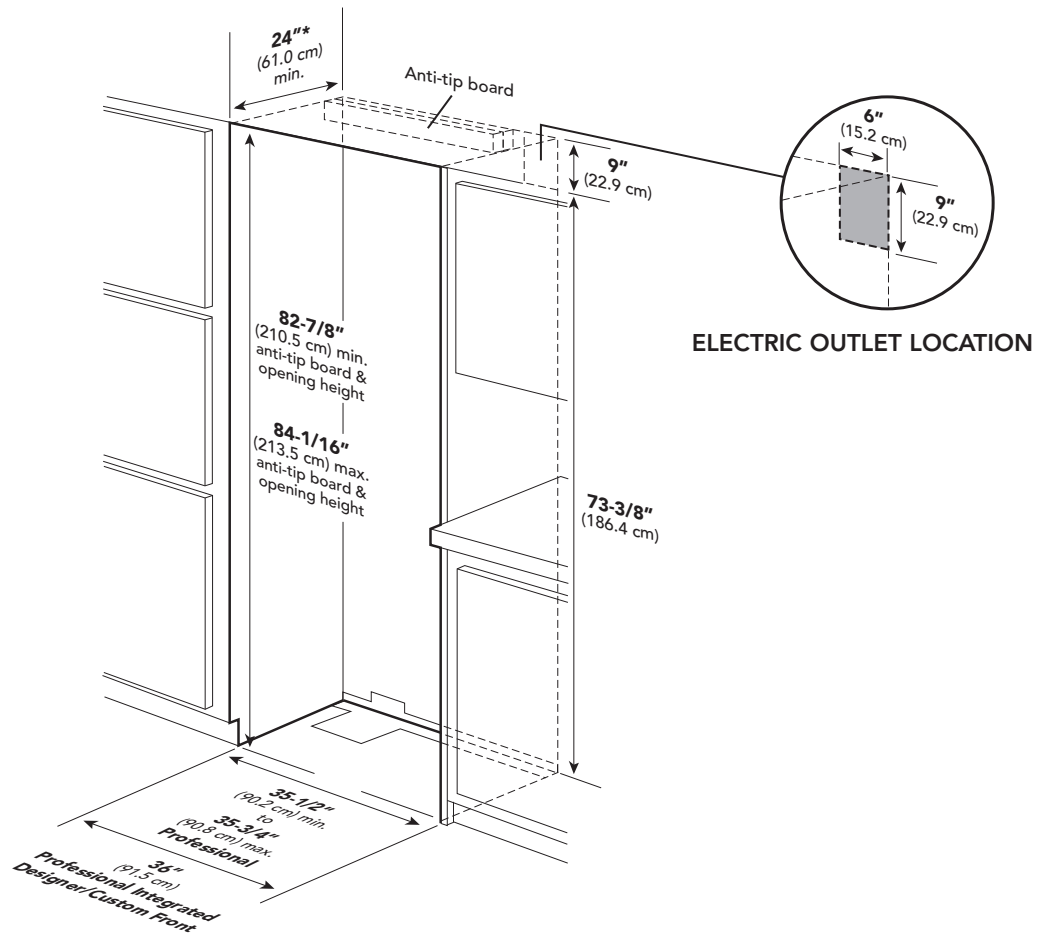


**DDR364**  
Designer



**DFRB364**  
Custom Front

See **Custom Panels** section for more information and additional specifications.



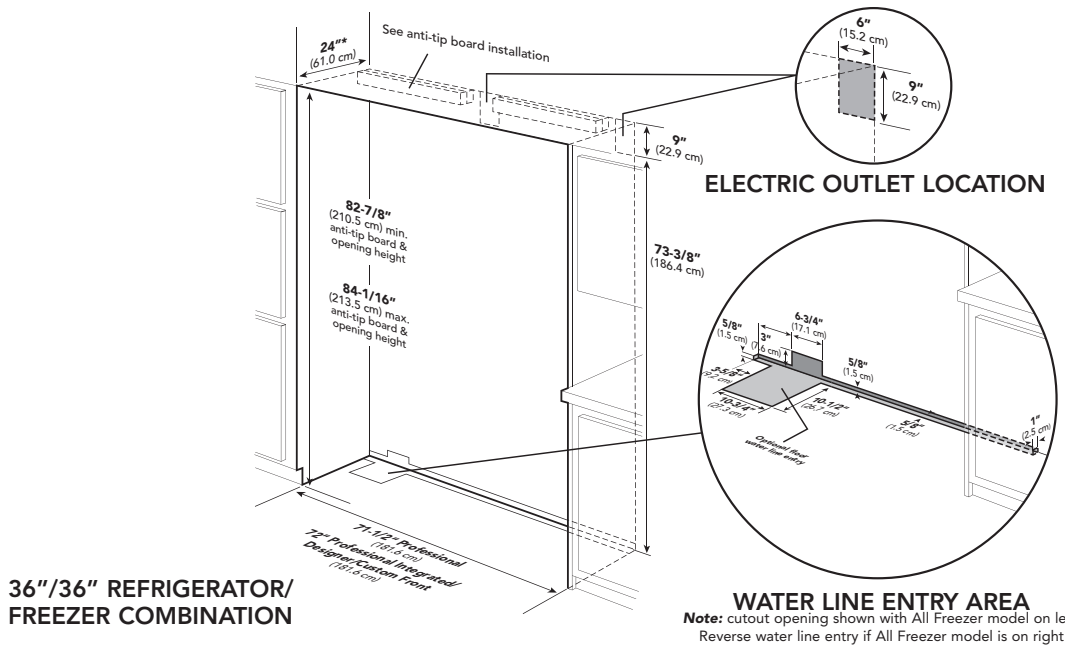
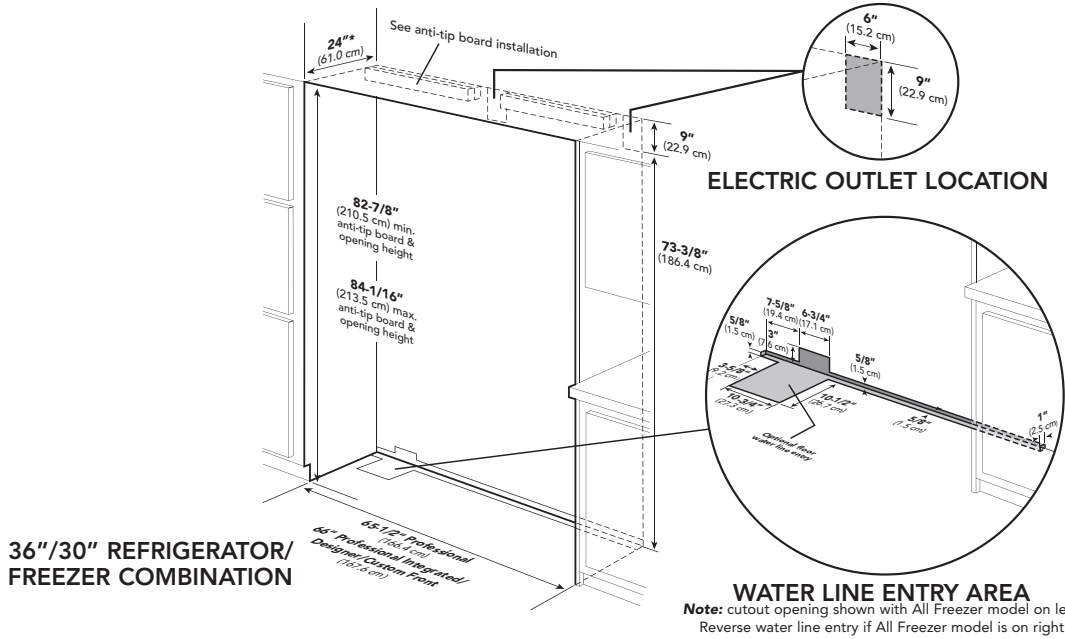
\*Custom front models fit flush in 25"-deep (63.5 cm) cabinet openings. They can be installed in standard 24"-deep openings. The door faces and top grille will protrude 3/4" (1.9 cm) into the room.

|               | <b>VCRB364</b>   | <b>VIRB364</b> | <b>DDR364</b> | <b>DFRB364</b> |
|---------------|--|----------------|---------------|----------------|
| Cutout width  | 35-1/2" (90.2 cm) min. to 35-3/4" (90.8 cm) max.           | 36" (91.5 cm)  | 36" (91.5 cm) | 36" (91.5 cm)  |
| Cutout height | <b>82-7/8" (210.5 cm) min. to 84-1/16" (213.5 cm) max.</b> |                |               |                |
| Cutout depth  | <b>24" (61.0 cm) min.*</b>                                 |                |               |                |



### Installation Requirements

#### ACCESS REQUIREMENTS – Dual Installation



\*Custom front models fit flush in 25"-deep (63.5 cm) cabinet openings. They can be installed in standard 24"-deep openings. The door faces and top grille will protrude 3/4" (1.9 cm) into the room.

|               | VCRB364/VCFB304  | VIRB364/VIFB304 | DDRB364/DDFB304 | DFRB364/DFFB304 |
|---------------|--|-----------------|-----------------|-----------------|
| Cutout width  | 65-1/2" (166.4 cm)   | 66" (167.6 cm)  | 66" (167.6 cm)  | 66" (167.6 cm)  |
| Cutout height | <b>82-7/8" (210.5 cm) min. to 84-1/16" (213.5 cm) max.</b> |                 |                 |                 |
| Cutout depth  | <b>24" (61.0 cm) min.*</b>                                 |                 |                 |                 |

|               | VCRB364/VCFB364  | VIRB364/VIFB364 | DDRB364/DDFB364 | DFRB364/DFFB364 |
|---------------|--|-----------------|-----------------|-----------------|
| Cutout width  | 71-1/2" (181.6 cm)   | 72" (182.9 cm)  | 72" (182.9 cm)  | 72" (182.9 cm)  |
| Cutout height | <b>82-7/8" (210.5 cm) min. to 84-1/16" (213.5 cm) max.</b> |                 |                 |                 |
| Cutout depth  | <b>24" (61.0 cm) min.*</b>                                 |                 |                 |                 |





## ★ Installation Notes & Accessories

### Side Panel Kits

- Stainless Steel (SS)
- Panels provide finished, freestanding look; unit must still be secured to the wall
- Kit includes one panel and installation hardware

| Model  | Description                               | Approx. ship wt. lbs. (kg) |
|--------|---|----------------------------|
| PSSPL2 | Professional side panel left (VCRB)       | 45 (20.2)                  |
| PSSPR2 | Professional side panel right (VCRB)      | 45 (20.2)                  |
| DSSPL2 | Designer side panel left (VIRB/DDR/DFRB)  | 45 (20.2)                  |
| DSSPR2 | Designer side panel right (VIRB/DDR/DFRB) | 45 (20.2)                  |

### Side Panel Hardware Kit

- For use with Designer built-in refrigerator/freezers
- Hardware allows installation of custom side panels
- Kit includes brackets, screws, and installation instructions to mount panels on left and right side

| Model  | Description         | Approx. ship wt. lbs. (kg) |
|--------|---------------------|----------------------------|
| SPHKDS | Side panel hardware | 3 (1.4)                    |

### Top Panel Kit

- Stainless Steel (SS)
- Panel provides finished, freestanding look; unit must still be secured to the wall
- Kit includes one panel and installation hardware

| Model  | Description     | Approx. ship wt. lbs. (kg) |
|--------|-----------------|----------------------------|
| TOP-36 | 36"W. top panel | 22 (10.0)                  |

### Top Grille Kits

- Stainless Steel (SS)
- 66"W. top grille kit—for use with installation of one 36"W. and one 30"W. all refrigerators/all freezers side-by-side
- 72"W. top grille kit—for use with installation of two 36"W. all refrigerators/all freezers side-by-side
- Grille creates a single unit look
- Kit includes one full-length grille, center cabinet trim connector, and all installation hardware

| Model    | Description  | Approx. ship wt. lbs. (kg) |
|----------|--|----------------------------|
| PGK66-SS | Professional 66"W. grille (for two VCRB/VCFB units)            | 23 (10.4)                  |
| PGK72-SS | Professional 72"W. grille (for two VCRB/VCFB units)            | 25 (11.3)                  |
| IGK66-SS | Professional Integrated 66"W. grille (for two VIRB/VIFB units) | 23 (10.4)                  |
| IGK72-SS | Professional Integrated 72"W. grille (for two VIRB/VIFB units) | 25 (11.3)                  |
| DGK66-SS | Designer 66"W. grille (for two DDRB/DDFB/DFRB/DFFB units)      | 23 (10.4)                  |
| DGK72-SS | Designer 72"W. grille (for two DDRB/DDFB/DFRB/DFFB units)      | 25 (11.3)                  |

### Center Trim Kit

- Stainless Steel (SS)
- Kit includes cabinet trim connector to install two custom front units with wood top grille

| Model   | Description | Approx. ship wt. lbs. (kg) |
|---------|-------------|----------------------------|
| FCTK-SS | Center trim | 5 (2.3)                    |





# REFRIGERATION

## Built-In 36"W. All Refrigerator



### Handle Kits

- For use with custom front refrigerators
- For use on locally supplied custom front panels
- Handles allow refrigerator/freezers with custom front panel to coordinate with other Professional and Designer products
- Kit includes handle(s) and installation hardware

| Model      | Description                               | Approx. ship wt. lbs. (kg) |
|------------|---|----------------------------|
| PHK26-SS   | Professional one handle (Stainless Steel) | 7 (3.2)                    |
| PHK26-BR   | Professional one handle (Brass)           | 7 (3.2)                    |
| DHK25-SS   | Designer one handle (Stainless Steel)     | 7 (3.2)                    |
| DHK25-BR   | Designer one handle Brass                 | 7 (3.2)                    |
| PHKDFBB-SS | Professional two handles Stainless Steel  | 10 (4.5)                   |
| PHKDFBB-SS | Professional two handles (Brass)          | 10 (4.5)                   |
| HKFDS-SS   | Designer two handles (Stainless Steel)    | 10 (4.5)                   |
| HKFDS-BR   | Designer two handles (Brass)              | 10 (4.5)                   |

### Compliance Information



### WARRANTY SUMMARY\*

- Two-year full warranty—complete unit
- Six-year full warranty—sealed refrigeration system and automatic ice maker
- Twelve-year limited warranty—sealed refrigeration system (includes compressor, condenser, dryer/strainer, evaporator, and connecting tubing)
- Ninety-day limited warranty—cosmetic parts such as glass, painted, and decorative items

\* For complete warranty see *Use & Care Guide*. Warranty valid on Viking products shipped within the United States and Canada.

