



High Resolution / Dual Voltage Color Dome Camera

CVC-6146HR

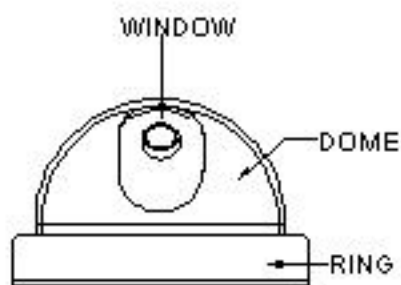
OPERATION / INSTALLATION MANUAL



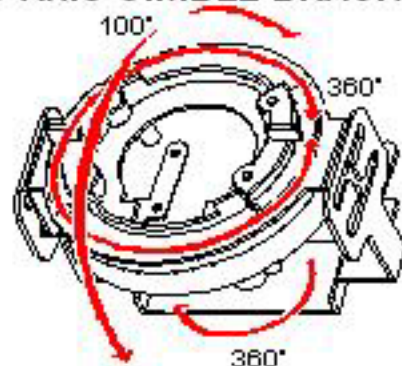
Speco Technologies
200 New Hwy
Amityville, NY 11701
800-645-5516
www.specotech.com

Camera Layout

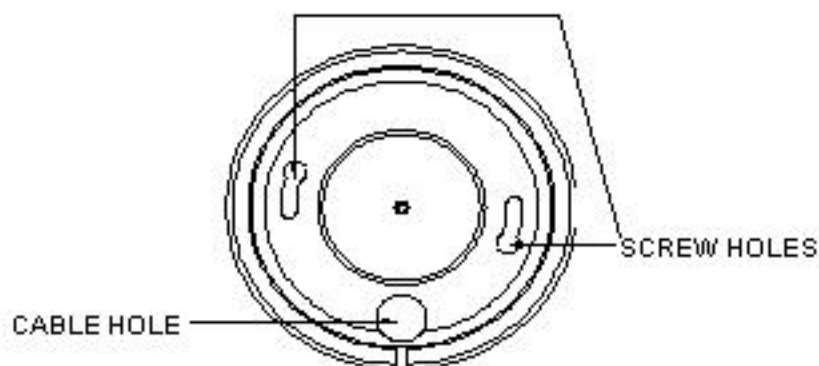
- TOP VIEW



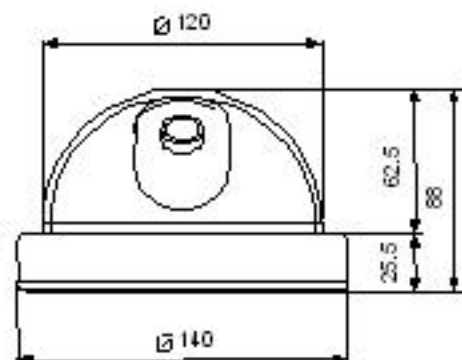
- 3-AXIS GIMBLE BRACKET



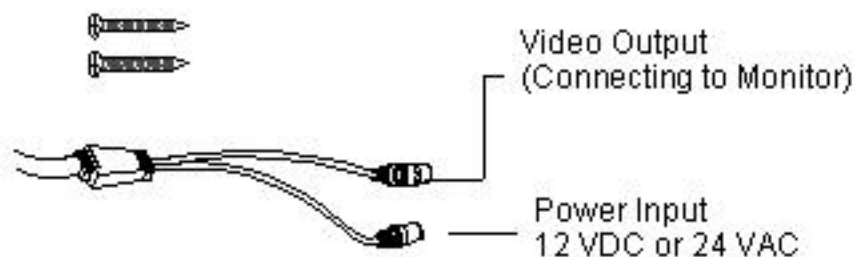
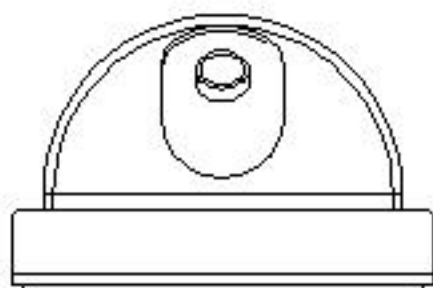
- BOTTOM VIEW



- Dimension

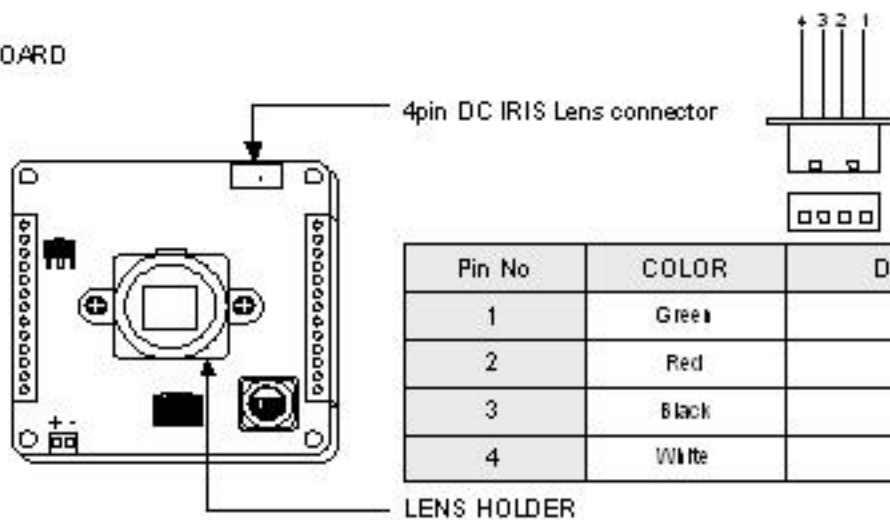


CAMERA COMPONENTS

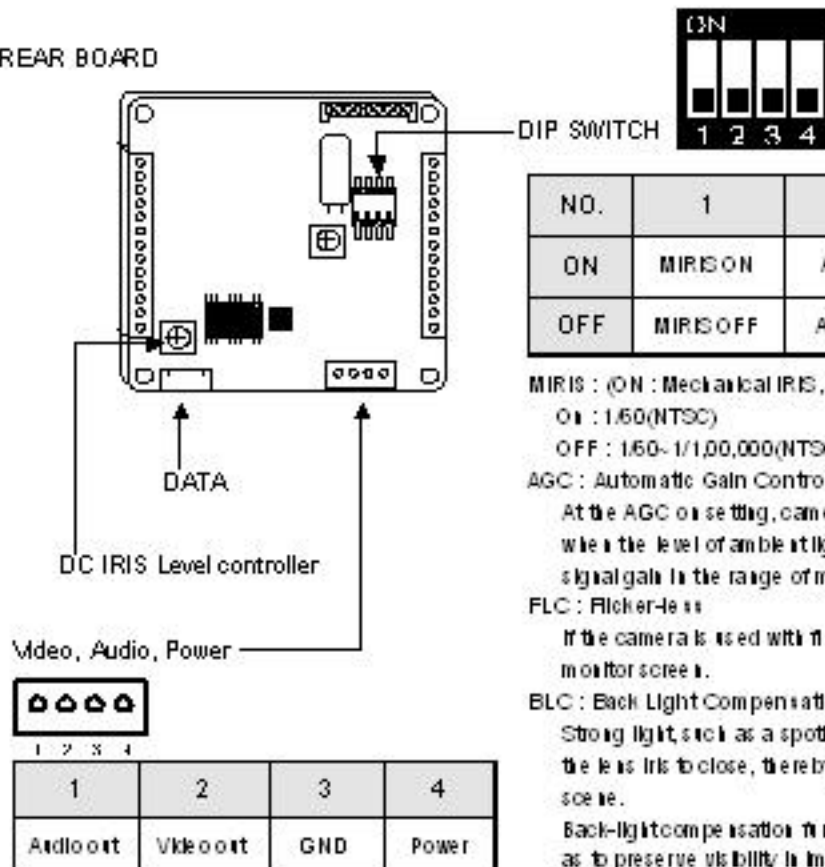


MODULE INSTALLATION

FRONT BOARD



REAR BOARD



DIP SWITCH

DC IRIS Level controller

DATA

Video, Audio, Power

MIRIS : (ON : Mechanical IRIS, OFF : Electronic IRIS)

ON : 1.60(NTSC)

OFF : 1.60- 1/1,00,000(NTSC)

AGC : Automatic Gain Control

At the AGC on setting, camera's sensitivity is automatically increased while the level of ambient light drops. AGC function automatically controls signal gain in the range of maximum 34dB.

FLC : Flicker-less

If the camera is used with fluorescent lighting, flicker can be occur on the monitor screen.

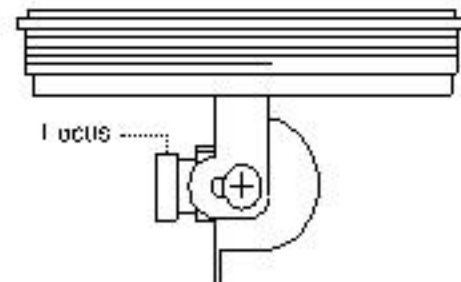
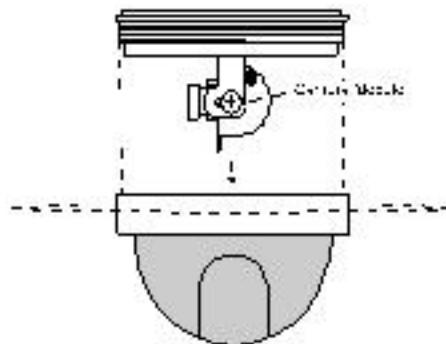
BLC : Back Light Compensation

Strong light, such as a spotlight, entering the scene background causes the lens iris to close, thereby possibly obscuring desired portions of the scene.

Back-light compensation function automatically adjusts the video level so as to preserve visibility in important section of the scene.

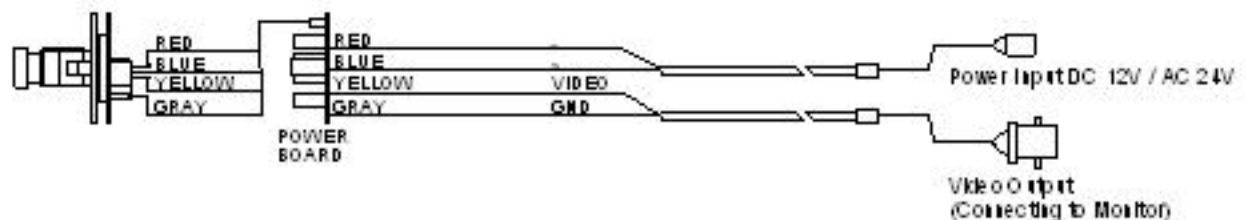
CAMERA INSTALLATION

1. Carefully Remove Dome Cover

2. Adjust Camera Direction
- Tighten After Aiming Camera

3. Camera Connections:

DC 12V / AC 24V (Φ 120 Only)



MODEL	CVC-6146HR High Resolution Color Dome Camera
Signal Format	NTSC
Horizontal Resolution	550 TV Lines
Pick-up Device	1/3" SONY DSP Super HAD CCD
Scanning System	2:1 interlace
Effective Pixels	768(H) × 494(V)
Electronic Shutter	1/60 – 1/100,000 seconds
Synchronization	Internal / Line Locked in 24VAC mode
Output signal	Standard composite 1Vp-p composite video into 75 Ohm
Min. Illumination	0.3 Lux / F1.2
S/N (Y signal)	48dB or more (AGC Off)
Gamma	0.45
DIP Switches	AES/AI, BLC, FLK, AGC
Input Voltage	12VDC @300 mA / 24VAC @4.0W
Housing material	Polycarbonate with lined dome cover
Operating Temperature	+14°F to +122°F
Operating Humidity	Under 95% non-condensing
Lens	DC Auto Iris Variofocal Lens : 2.8~11.0mm F1.4
Dimension	φ5.5" × 3.5" (H)