

KitchenAid® Undercounter Dishwasher

PRODUCT MODEL SERIES

KUDC02IR	KUDP02FR
KUDI02CR	KUDP02IR
KUDI02FR	KUDP02SR
KUDI02IR	KUDS02FR
KUDJ02CR	KUDS02SR
KUDK02CR	KUDU02FR
KUDL02FR	KUDU02VR
KUDL02IR	KUDW02FR
KUDP02CR	

Electrical: 120-volt, 60 Hz, AC-only, 15 or 20 amp electrical supply. Use copper wire only. A time-delay fuse or circuit breaker and separate circuit is recommended.

Water: A hot water line with 20-120 psi (138-862 kPa) water pressure. Water temperature must be minimum 120°F (49°C) at dishwasher. Use 3/8" O.D. copper tubing with compression fitting or flexible stainless steel braided fill line (1/2" minimum plastic tubing is not recommended). Use a 90° elbow with 3/8" N.P.T. external pipe threads on one end to connect to water inlet valve. Do not solder within 6" (15.2 cm) from water inlet valve.

Drain: Use the new drain hose supplied with your dishwasher. If this is not long enough, use a new drain hose with a maximum length of 12 feet (3.7 m) that meets all current AHAM/IAPMO test standards, is resistant to heat and detergent, and fits the 1" (2.5 cm) drain connector of the dishwasher.

Connect drain hose to waste tee or disposer inlet above drain trap in house plumbing and 20" (50.8 cm) minimum above the floor. It is recommended that the drain hose either be looped up and securely fastened to the underside of the counter, or be connected to an air gap.

Use an air gap if the drain hose is connected to house plumbing lower than 20" (50.8 cm) above subfloor or floor.

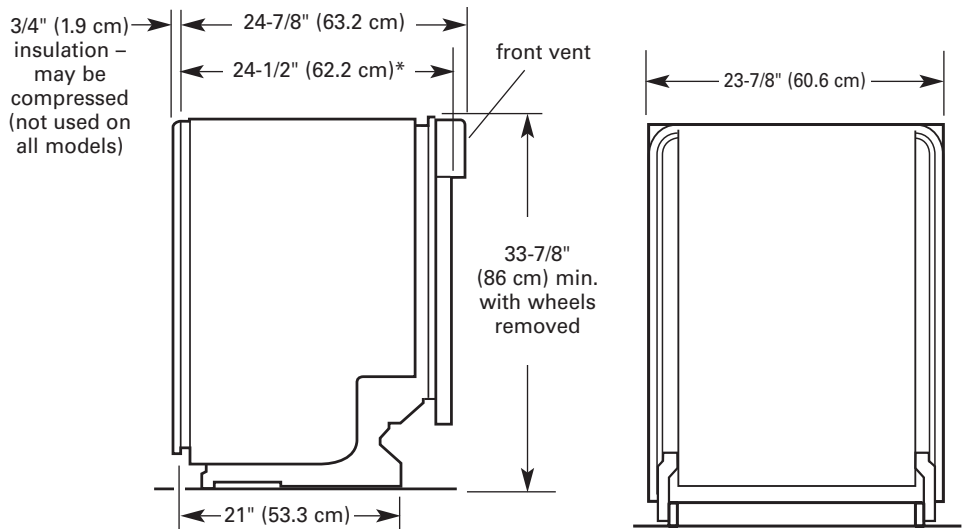
Use 1/2" minimum I.D. drain line fittings

Corner installation: Allow 2" (5.1 cm) minimum between corner wall and dishwasher opening.

Do not install dishwasher over carpeted floor.

A side panel kit is available from your dealer for installing your dishwasher at the end of a cabinet.

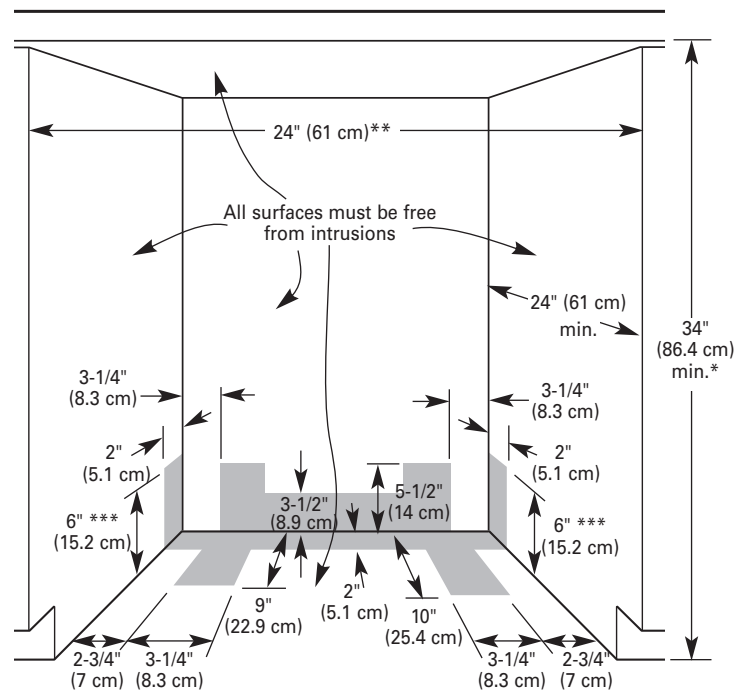
OVERALL DIMENSIONS



SIDE VIEW

REAR VIEW

CABINET OPENING DIMENSIONS



Cut holes in shaded area of cabinet walls or floor as specified below:

- water line – 1/2" (1.3 cm)
- drain line – 1-1/2" (3.8 cm)
- direct wire – 3/4" (1.9 cm)
- power supply cord – 1-1/2" (3.8 cm)

* Measured from the lowest point on the underside of countertop. May be reduced to 33-7/8" (86 cm) by removing wheels from dishwasher.

** Minimum, measured from narrowest point of opening.

*** May be increased to 6-5/8" (16.6 cm) if height of opening is 34-1/2" (87.6 cm) at its lowest point.