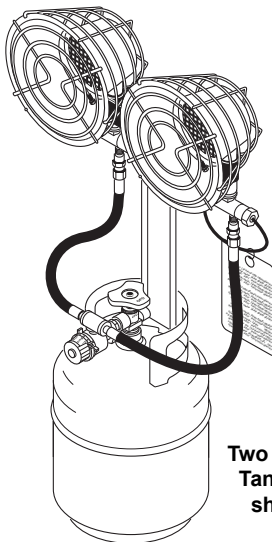


DESA™

INDOOR/OUTDOOR PRODUCTS

Infra-Red Heater Tank Top Heater Owner's Manual



Two burner
Tank Top
shown

SINGLE BURNER MODELS
10,000-15,000 BTU
DUAL BURNER MODELS
10,000-30,000 BTU

FOR YOUR SAFETY

If you smell gas:

1. Shut off gas to appliance.
2. Extinguish any open flame.

FOR YOUR SAFETY

Do not store or use gasoline or other flammable vapors and liquids in the vicinity of this or any other appliance.

WARNING



CARBON MONOXIDE HAZARD

This appliance can produce carbon monoxide which has no odor.

Using it in an enclosed space can kill you.

Never use this appliance in an enclosed space such as a camper, tent, car, or home.

Save this manual for future reference.
For more information, visit www.desatech.com

IMPORTANT: Read and understand this manual before assembling, starting or servicing heater. Improper use of heater can cause serious injury. Keep this manual for future reference.

 GENERAL HAZARD WARNING:

Failure to comply with the precautions and instructions provided with this heater, can result in death, serious bodily injury and property loss or damage from hazards of fire, explosion, burn, asphyxiation, carbon monoxide poisoning, and/or electrical shock.

Only persons who can understand and follow the instructions should use or service this heater.

If you need assistance or heater information such as an instructions manual, labels, etc. contact the manufacturer.

TABLE OF CONTENTS

Specifications	2	Servicing.....	7
Safety Information	3	Technical Service.....	7
Assembly Instructions.....	4	Replacement Parts	7
Operating Instructions	5	Illustrated Parts Breakdown and Parts List.....	8
Maintenance and Storage	6	Warranty and Repair Service	10

SPECIFICATIONS


15,000 BTU/HR MODELS

- Rating: 10,000 - 15,000 Btu/hr (3.0 - 4.4 kW)
- Type of Gas: Propane/LP Only
- Ignition: Match Light
- Gas Supply Pressure to regulator:
Max - Tank Pressure, Min - 20 psi (1.37 bar)
- Regulator Outlet Pressure: 10 - 18 psi (0.68 bar - 1.2 bar)
- Minimum Ambient Temp. Rating:
0° F (-17.8° C)
- Fuel Consumption per 20 lb. Cylinder:
36 hours


30,000 BTU/HR MODELS

- Rating: 10,000 - 30,000 Btu/hr (3.0 - 8.8 kW)
- Type of Gas: Propane/LP Only
- Ignition: Piezo
- Gas Supply Pressure to regulator:
Max - Tank Pressure, Min - 20 psi (1.37 bar)
- Regulator Outlet Pressure: 10 - 18 psi (0.68 bar - 1.2 bar)
- Minimum Ambient Temp. Rating:
0° F (-17.8° C)
- Fuel Consumption per 20 lb. Cylinder:
18 hours

SAFETY INFORMATION

 **WARNING: This product contains and/or generates chemicals known to the State of California to cause cancer or birth defects, or other reproductive harm.**

 **WARNING: Not for home or recreational vehicle use.**

 **WARNING: Fire, burn, inhalation, and explosion hazard. Keep solid combustibles, such as building materials, paper or cardboard, a safe distance away from the heater as recommended by the instructions. Never use the heater in spaces which do or may contain volatile or airborne combustibles, or products such as gasoline, solvents, paint thinner, dust particles or unknown chemicals.**

ASPHYXIATION HAZARD

- Do not use this heater for heating human living quarters.
- Do not use in unventilated areas.
- The flow of combustion and ventilation air must not be obstructed.
- Proper ventilation air must be provided to support the combustion air requirements of the heater being used.
- Refer to the specification section of the heater's manual, heater data plate, or contact DESA Heating Products to determine combustion air ventilation requirements of the heater.
- Lack of proper ventilation air will lead to improper combustion.
- Improper combustion can lead to carbon monoxide poisoning leading to serious injury or death. Symptom of carbon monoxide poisoning can include headaches dizziness and difficulty in breathing.

1. Keep children and animals away from heater.
2. Never operate heater while sleeping or unattended.
3. Check the heater thoroughly for damage. Do not operate a damaged heater.
4. Do not modify the heater or operate a heater which has been modified from its original condition.
5. Use only propane/LP gas.
6. Use only vapor withdrawal propane/LP supply. If there is any question about vapor withdrawal, ask your propane/LP dealer.
7. For outdoor use only. Area must be well ventilated. Provide minimum openings of 1 sq ft (0.093m²) near the floor and 1 sq ft (0.093m²) near the ceiling. Do not use inside house, camper, tent, vehicle, or any type of unvented or enclosed area.
8. Do not use heater in basement or below ground level.
9. Before connecting heater to the propane/LP tank, make sure the heater regulator knob is in the "OFF" position. Always connect and light heater in areas free of open flames.
10. Mount the propane/LP cylinders vertically (shutoff valve up). Secure them from falling or being knocked over and protect them from damage.
11. **IMPORTANT:** Use only the hose and regulator assembly provided with the dual burner tank top heater. Inspect the hose assembly before each use. If there is excessive abrasion or wear, or hose is cut, replace with hose assembly listed on parts list before using heater. The hose and regulator must be protected from damage.
12. The heater burner must be at least 2 ft. (0.61m) above the floor. Always attach to propane/LP tank in an upright position. Never operate a heater on its side or attach to propane/LP tank in a horizontal position. This could lead to dangerous flare-ups or fire. Do not direct heat toward propane/LP cylinders.
13. Maintain minimum clearance from normal combustible materials (like paper) as follows: Sides - 3 ft. (0.91m); Top and Front - 5 ft. (1.5m). Locate 10 ft. (3m) from canvas or plastic tarpaulins or similar coverings and secure them to prevent flapping or movement due to wind action.
14. If at any time gas odor is detected, IMMEDIATELY DISCONTINUE operation until the source of gas has been located and corrected.

SAFETY INFORMATION

Continued

15. Install the heater such that it is not directly exposed to water spray, rain, dripping water and/or wind.
16. Operate only on a stable, level surface.
17. Due to the high surface and exhaust temperatures, adults and children must observe clearances to avoid burns or clothing ignition.
18. Do not move, handle or service while hot or burning. Do not attach or remove a hot or operating heater from the propane/LP tank.
19. Before each use, check heater for leaks. Never use an open flame to check for leaks. Apply a mixture of liquid soap and water to all joints. Bubbles forming show a leak. Correct all leaks.
20. Keep all connections and fittings clean. Make sure propane/LP tank valve is clean. Check "O" ring on heater inlet fuel valve connector for damage before each use. Replace if worn or damaged.
21. Use only in accordance with local codes or, in the absence of local codes, with the *Standard for the Storage and Handling of Liquefied Petroleum Gases ANSI/NFPA 58* and *CSA B149.1, Natural Gas and Propane Installation Code*.

ASSEMBLY INSTRUCTIONS

30,000 BTU MODELS ONLY

1. Inspect the heater components for possible shipping damage. If any is found, immediately notify the dealer. Check to make sure that all components are included with your heater (see pages 8 and 9).
2. Insert the piezo ignitor into the bracket on the burner support bracket as shown in Figure 1. Tighten the piezo mounting nut. Do not over tighten the nut.
3. Connect the burner hoses together as shown in Figure 2. Wrench tighten to insure leak tight connection.
4. Mount the burner assembly onto the support arm using the burner head mounting brackets and brass screws as shown in Figure 3. Place side of bracket into the slot on support arm. Secure with screw. Make certain that the air holes on the sides of the burner tube are not blocked. Securely tighten the burners into place.
5. Attach the electrode wires to the piezo ignitor as shown in Figure 4.

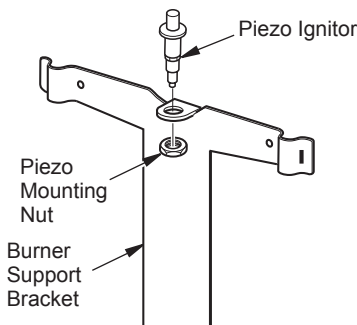


Figure 1 - Installing Piezo Ignitor

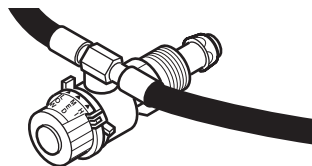


Figure 2 - Attaching Burner Hoses to Regulator

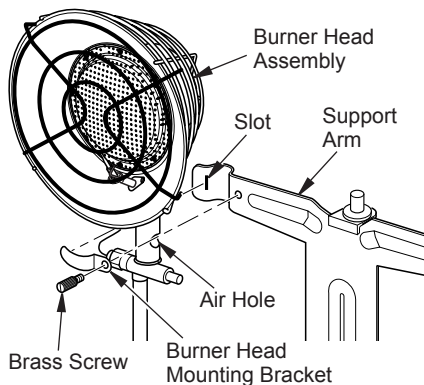


Figure 3 - Attaching Burner Head Assembly to Support Arm

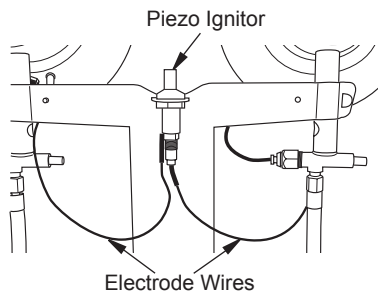


Figure 4 - Attaching Electrode Wires to Piezo Ignitor

OPERATING INSTRUCTIONS

1. Check heater for damage. If heater is damaged, promptly inform dealer where you bought heater.
2. Follow all of the safety and operating precautions.
3. Check the "O" ring on the POL before each use. Replace the "O" ring if there is any sign of wear or damage.
4. Make sure heater regulator knob is in the "OFF" position.
5. **30,000 Btu Models Only** Attach the heater to the support arm on the inside of the guard and bolts through two holes in the guard (see Figure 5). Tighten the support arm bracket into place using the wing nuts provided.
6. **For All Models** Connect the POL fitting at regulator to the propane/LP cylinder by rotating the POL nut counter clockwise into the propane/LP cylinder's valve outlet and securely tighten with a wrench.

⚠ WARNING: Attach heater in upright position. Never attach heater in a horizontal position. This could lead to dangerous flare-ups or fire.

7. Securely tighten all gas connections.
8. Open the cylinder's gas valve and check all connections for leaks. Apply mixture of liquid soap and water to gas joints. Bubbles forming show a leak that must be corrected. **DO NOT USE A FLAME.**

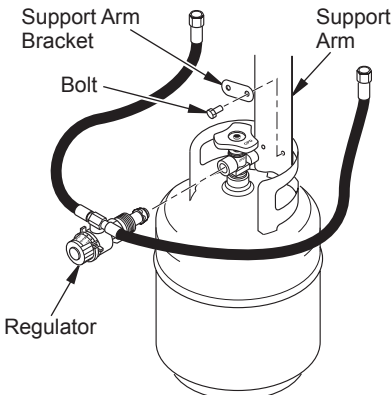


Figure 5 - Attaching Support Arm and Regulator to Propane/LP Tank

TO START HEATER

⚠ WARNING: When lighting the heater DO NOT look over top of heater (reflector). Stand to the side of the heater during ignition. Do not stand or have any part of your body in front of the heater.

⚠ WARNING: MAKE SURE THERE IS NO OPEN FLAME IN THE AREA. Fully open the valve on the propane/LP cylinder.

Read all lighting instructions before attempting to ignite heater.

1. Turn the heater regulator knob counterclockwise to the "HI" position.
2. Repeatedly push and release the piezo ignitor (dual burner), or place a lighted match near the face of the heating element (mesh screen) of the burner you are lighting, using the hole located on the side of the reflector. See Figure 6.

⚠ CAUTION: Do not light at the orifice.

3. Depress the red button on the safety valve admitting gas to the burner (see Figure 6).

⚠ WARNING: Do not depress red valve button before repeatedly activating the piezo or inserting match.

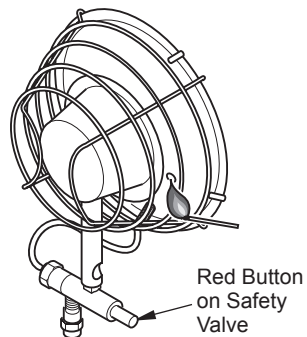


Figure 6 - Lighting Heater With a Match

OPERATING INSTRUCTIONS

Continued

4. When the gas on the face of the mesh screen lights, continue to hold the valve button depressed for 30 seconds, then release.
5. If flame goes out, wait 5 minutes and repeat the lighting procedure.
6. If heater will not light after repeated tries, do not attempt to repair heater. Return heater to nearest authorized service center or to manufacturer of this product.
7. For dual burner models, repeat steps 1 through 4 to ignite the other burner.
8. After both burners or single burner, are lit, turn the heater regulator knob to the desired heat setting (LOW, MED, HI).

TO STOP HEATER

1. Securely close valve on the propane/LP cylinder.
2. Turn the heater regulator knob to the "OFF" position. Wait 15 minutes for the heater to cool down before handling heater.
3. Always remove the heater from the propane/LP tank after each use. Do not store the heater while attached to propane/LP tank. Remove the heater from the propane/LP tank by turning the fuel connector nut clockwise. Always store propane/LP tank outdoors. Never store propane/LP tank in an enclosed area.

TO RESTART HEATER

1. Securely close valve at propane/LP cylinder.
2. Wait 5 minutes.
3. Restart following *To Start Heater* procedure, page 5.

MAINTENANCE AND STORAGE

1. Inspect heater before each use. Check connections for leaks. Apply mixture of liquid soap and water to connections. Bubbles forming show a leak that must be corrected. Correct all leaks at once. Have heater inspected at least annually by a qualified service person.
2. Before each use, check the soft "O" ring seat at the bullnose of the POL fitting. If the "O" ring is cut, scuffed, or otherwise damaged, replace it with part number 6681.
3. Inspect hose/regulator assembly before each use. If hose is highly worn or cut, replace.
3. Turn off the gas at the propane/LP gas supply cylinder when the heater is not in use.
4. When the heater is to be stored, the connection between the propane/LP gas supply cylinder and the heater must be disconnected and the cylinder removed from the heater and stored out of doors and in accordance with Chapter 5 of the standard for *Storage and Handling of Liquefied Petroleum Gases ANSI/NFPA 58*.

SERVICING

A hazardous condition may result if a heater is used that has been modified or is not functioning properly. When the heater is working properly:

- The emitter screen is glowing bright orange-red.
- There are no flames above the burner.
- The flame is burning on the surface of the screen and not inside the burner (flashback).
- There is no strong disagreeable odor, eye burning or other physical discomfort.
- There is no smoke or soot internal or external to the heater.
- There are no unplanned or unexplained shut downs of the heater.

The parts lists and exploded view show the heater as it was constructed. Do not use a heater which is different from that shown. In this regard, use only the hose, regulator and cylinder connection fitting (called a POL fitting) supplied with the heater. **IMPORTANT:** For this heater, the regulator must be set as shown in *Specifications*, page 2. If there is any uncertainty about the regulator setting, have it checked.


TECHNICAL SERVICE

A heater which is not working right must be repaired, but only by a trained, experienced service person. To find the service center closest to you, or if you have further questions about this heater, contact DESA Heating Products' Technical Service Department at 1-866-672-6040. When calling, please have your model and serial numbers of your heater ready.

You can also visit DESA Heating Products' Technical Service web site at www.desatech.com.

You may also obtain in-warranty or out-of-warranty service by taking the product to your local service center.

REPLACEMENT PARTS

 **WARNING: Use only original replacement parts. This heater must use design-specific parts. Do not substitute or use generic parts. Improper replacement parts could cause serious or fatal injuries. This will also protect your warranty coverage for parts replaced under warranty.**

PARTS UNDER WARRANTY

Contact authorized dealers of this product. If they can't supply original replacement part(s), either contact your nearest Parts Central or call DESA Heating Products' Technical Service Department at 1-866-672-6040.

When calling DESA Heating Products, have ready

- your name
- your address
- model number of your heater
- how heater was malfunctioning
- purchase date

PARTS NOT UNDER WARRANTY

Contact authorized dealers of this product. If they can't supply original replacement part(s), either contact your nearest Parts Central (listed in Authorized Service Center booklet) or call DESA Heating Products at 1-866-672-6040 for referral information.

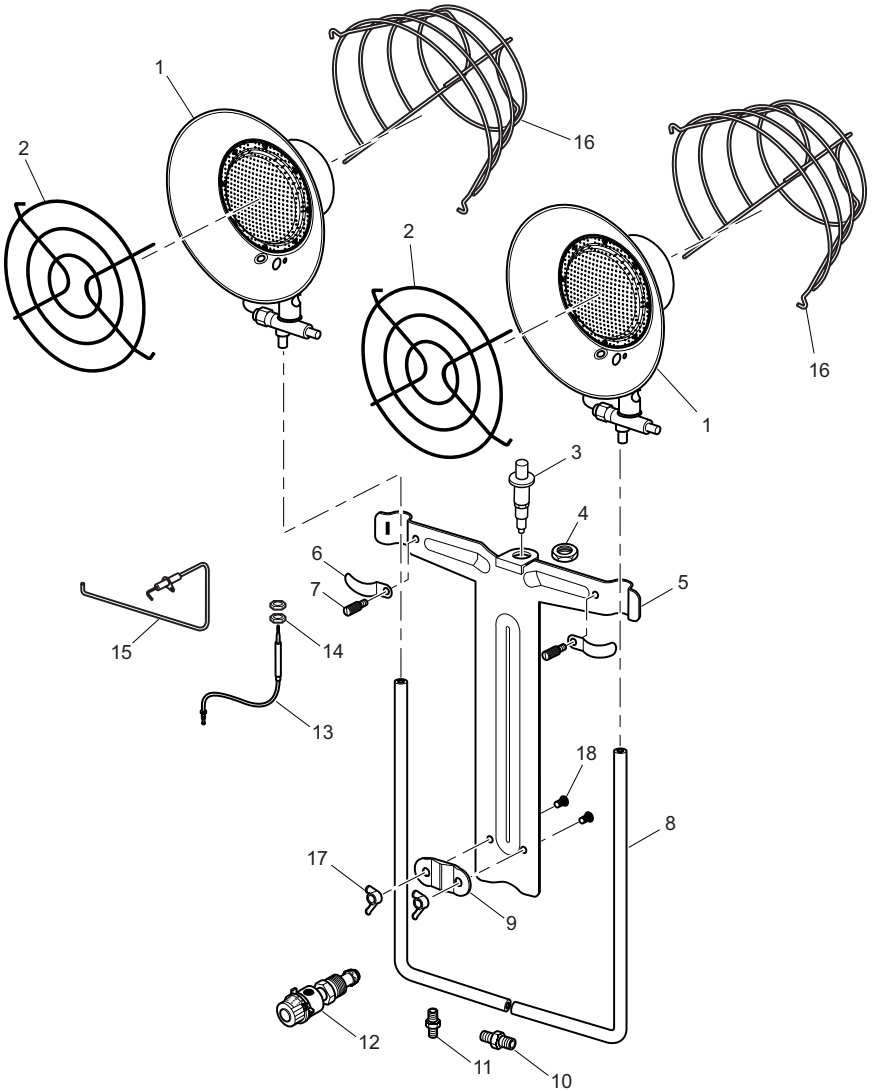
When calling DESA Heating Products, have ready

- model number of your heater
- the replacement part number

ILLUSTRATED PARTS BREAKDOWN

MODELS

SPC-30RG, HD30G, TT30G

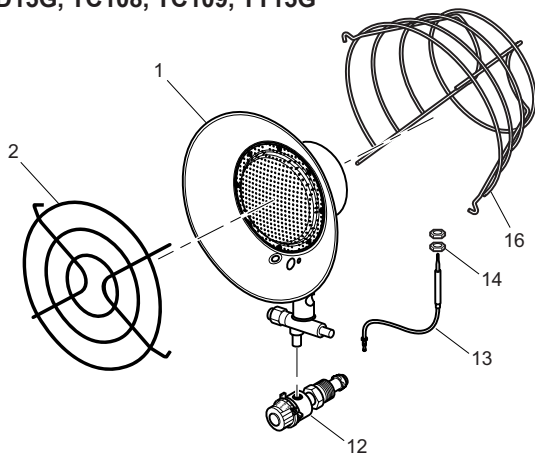


PARTS LIST

This list contains replaceable parts used in your heater. When ordering parts, follow the instructions listed under *Replacement Parts* on page 7 of this manual.

MODELS

SPC-15RG, HD15G, TC108, TC109, TT15G



KEY

NO.	PART NO.	DESCRIPTION	15,000 Btu	30,000 Btu	QTY.
1	114092-01	Burner Head Assembly	•	•	1-2
2	100911-01	Grille	•	•	1-2
3	097159-05	Piezo Ignitor		•	1
4	102334-01	Nut, Piezo		•	1
5	114095-01	Support Arm		•	1
6	114099-01	Burner Head Mounting Bracket		•	2
7	114145-01	Brass Screw		•	2
8	114093-01	Hose Assembly		•	2
9	114096-01	Support Arm Bracket		•	1
10	114098-01	Fitting		•	1
11	114097-01	Fitting		•	1
12	LPA2025	POL Excess Flow/Regulator	•	•	2-1
13	114100-01	Thermocouple	•	•	1-2
14	100898-01	Thermocouple Nut	•	•	2-4
15	114094-01	Electrode Assembly (Round)		•	1
	114094-02	Electrode Assembly (Flat)		•	1
16	116995-01	Rear Guard	•	•	1-2
17	115063-01	Wing Nut	•	•	2
18	115062-01	Shoulder Bolt 5/16-18 x 1.25	•	•	2
PARTS AVAILABLE - NOT SHOWN					
	114091-07	Instruction Hang Tag (English)	•	•	1
	114091-10	Instruction Hang Tag (English)		•	1
	114091-08	Instruction Hang Tag (Spanish)	•		1
	114091-11	Instruction Hang Tag (Spanish)		•	1
	114091-09	Instruction Hang Tag (French)	•		1
	114091-12	Instruction Hang Tag (French)		•	1
	LPA5050	Replacement Screen Assembly	•	•	1-2

WARRANTY AND REPAIR SERVICE

KEEP THIS WARRANTY

Model _____

Serial No. _____

Date of Purchase _____

LIMITED WARRANTIES FOR NEW AND FACTORY RECONDITIONED PRODUCTS

New Products: DESA Heating Products warrants this heater and any parts thereof, to be free of defects in materials and workmanship for one (1) year from the date of first purchase, when operated and maintained in accordance with the manufacturer's instructions. These warranties are extended only to the original retail purchaser, when proof of purchase is provided.

Factory Reconditioned Heaters: DESA Heating Products warrants this factory reconditioned heater and any parts thereof, to be free of defects in materials and workmanship for thirty (30) days from the date of first purchase, when operated and maintained in accordance with the manufacturer's instructions. These warranties are extended only to the original retail purchaser, when proof of purchase is provided.

This warranty is extended only to the original retail purchaser. This warranty covers only the cost of parts required to restore this heater to proper operating condition. Warranty parts must be obtained through authorized dealers of this product and/or DESA Heating Products who will provide original factory replacement parts. Failure to use original factory replacement parts voids this warranty. The heater must be used in accordance with all local codes and instructions furnished with the unit.

This warranty does not apply to parts that are not in original condition because of normal wear and tear, or parts that fail or become damaged as a result of misuse, accidents, lack of proper maintenance, alteration, tampering, contaminated fuels, or defects caused by improper installation. Travel, transportation and incidental costs associated with warranty repair are not reimbursable under this warranty and are the responsibility of the owner.

To the full extent allowed by the law of the jurisdiction that governs the sale of the product: This express warranty excludes any and all other expressed warranties of merchantability and fitness for a particular purpose to ONE YEAR from the date of first purchase: and DESA HEATING PRODUCTS' liability is hereby limited to the purchase price of the product and DESA HEATING PRODUCTS shall not be liable for any other damages whatsoever including indirect, incidental or consequential damages.

Some states do not allow a limitation on how long an implied warranty lasts or an exclusion or limitation of incidental or consequential damages, so the above limitation on implied warranties, or exclusion or limitation on damages may not apply to you.

This warranty provides the original retail purchaser with specific legal rights. For specific information regarding those rights, please consult the applicable state laws.



INDOOR/OUTDOOR PRODUCTS

2701 Industrial Drive

P.O. Box 90004

Bowling Green, KY 42102-9004

ATTN: Customer Service Department

117240-01

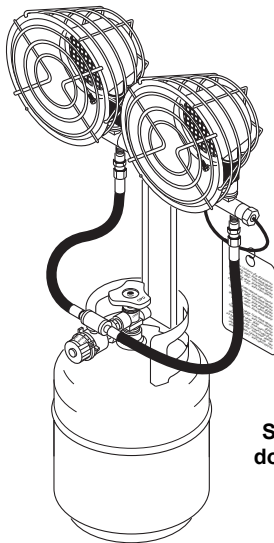
Rev. C

05/06

DESA™

INDOOR/OUTDOOR PRODUCTS

Calentador infrarrojo montable en tanque Manual del propietario



Se muestra el calentador de dos quemadores montable en tanque

MODELOS CON UN SOLO QUEMADOR
10,000-15,000 BTU
MODELOS CON DOBLE QUEMADOR
10,000-30,000 BTU

PARA SU SEGURIDAD

Si percibe olor a gas:

1. Cierre el suministro de gas al aparato.
2. Extinga las llamas al descubierto.

PARA SU SEGURIDAD

No guarde ni utilice gasolina u otros vapores y líquidos inflamables cerca de este aparato ni de cualquier otro.



ADVERTENCIA



PELIGRO DE MONÓXIDO DE CARBONO

Este aparato puede producir monóxido de carbono que no tiene olor.

Su uso en un espacio cerrado puede matarlo. Nunca utilice este aparato en un espacio cerrado tal como una casa rodante, una tienda de campaña, un automóvil o una casa.

Guarde este manual para futuras referencias.

Para obtener mayor información, visite el sitio www.desatech.com

IMPORTANTE: Lea y comprenda este manual antes de ensamblar, encender o dar servicio al calentador. El uso inadecuado del calentador puede causar lesiones graves. Conserve este manual para referencias futuras.

⚠ ADVERTENCIA GENERAL DE PELIGRO:

No cumplir con las precauciones e instrucciones proporcionadas con este calentador puede causar la muerte, lesiones físicas graves y pérdidas o daños a la propiedad debido al peligro de incendio, explosión, quemaduras, asfixia, intoxicación con monóxido de carbono y/o choques eléctricos.

Únicamente las personas que puedan entender y seguir las instrucciones deberán usar o dar servicio a este calentador.

Si necesita ayuda o información sobre el calentador, como manuales de instrucciones, etiquetas, etc., comuníquese con el fabricante.

TABLA DE CONTENIDO

Especificaciones.....	2	Reparaciones	7
Información de seguridad	3	Servicio técnico	7
Instrucciones de ensamblaje	4	Piezas de repuesto.....	7
Instrucciones de funcionamiento	5	Clasificación ilustrada de piezas y lista de piezas... 8	
Mantenimiento y almacenamiento.....	6	Garantía y servicio de reparación.....	10

ESPECIFICACIONES

15,000 BTU/HR MODELOS

- Clasificación: 10,000-15,000 BTU/h (3.0 - 4.4 kW)
- Tipo de gas: Sólo propano o gas LP
- Encendido: Con fósforo
- Presión del suministro de gas al regulador:
Máx - presión del tanque, Mín - 20 psi (1.37 bar)
- Presión de salida del regulador: 10 a 18 PSI (0.68 bar a 1.2 bar)
- Clasificación de temperatura ambiente mínima:
-17.8° C (0° F)
- Consumo de combustible por cilindro de 9.07 kg (20 lb): 36 horas

30,000 BTU/HR MODELOS

- Clasificación: 10,000-30,000 BTU/h (3.0 - 8.8 kW)
- Tipo de gas: Sólo propano o gas LP
- Encendido: piezoeléctrico
- Presión del suministro de gas al regulador:
Máx - presión del tanque, Mín - 20 psi (1.37 bar)
- Presión de salida del regulador: 10 a 18 PSI (0.68 bar a 1.2 bar)
- Clasificación de temperatura ambiente mínima:
-17.8° C (0° F)
- Consumo de combustible por cilindro de 9.07 kg (20 lb): 18 horas

INFORMACIÓN DE SEGURIDAD



ADVERTENCIA: Este producto contiene y/o genera químicos que el Estado de California reconoce que causan cáncer, defectos de nacimiento u otros daños relacionados con la reproducción.



ADVERTENCIA: No usar en residencias ni en vehículos recreativos.



ADVERTENCIA: Peligro de incendio, quemaduras, inhalación y explosión. Mantenga los combustibles sólidos, como materiales de construcción, papel o cartón a una distancia segura del calentador según se recomienda en las instrucciones. Nunca use el calentador en espacios que contengan o podrían contener combustibles volátiles o transportados por aire o productos como gasolina, solventes, diluyente de pintura, partículas de polvo o químicos desconocidos.

PELIGRO DE ASFIXIA

- No utilice este calentador para la calefacción de lugares de alojamiento humano.
- No lo utilice en áreas sin ventilación.
- No se debe obstruir el flujo de aire para combustión y ventilación.
- Se debe procurar el aire necesario para ventilación a fin de que se cumplan los requisitos de aire para combustión del calentador que se está usando.
- Consulte la sección de especificaciones del manual del calentador, la placa de datos del mismo o comuníquese con DESA Heating Products para determinar los requisitos de ventilación de aire para combustión del calentador.
- La falta de aire para una ventilación adecuada producirá una combustión incorrecta.
- La combustión incorrecta puede generar intoxicaciones por monóxido de carbono que pueden resultar en lesiones graves o en la muerte. Los síntomas de la intoxicación con monóxido de carbono pueden incluir dolores de cabeza, mareos y dificultad para respirar.

1. Evite que los niños y los animales se acerquen al calentador.
2. Nunca deje funcionando el calentador desatendido o mientras duerme.
3. Revise el calentador completamente para ver si presenta daños. No haga funcionar un calentador dañado.
4. No modifique el calentador ni haga funcionar un calentador que ha sido sometido a modificaciones de su condición original.
5. Utilice únicamente gas propano o LP.
6. Utilice únicamente suministros de propano o gas LP con extracción de vapores. Si tiene alguna pregunta acerca de la extracción de vapores, pregunte al distribuidor de propano o gas LP.
7. Para uso en exteriores solamente. El área debe estar bien ventilada. Procure por lo menos aberturas de 0.093 m² (1 pie²) cerca del piso y de 0.093 m² (1 pie²) cerca del techo. No lo utilice dentro de una casa, casa rodante, tienda de campaña, vehículo, ni de cualquier tipo de área cerrada sin ventilación.
8. No use el calentador en un sótano ni debajo del nivel del suelo.
9. Antes de conectar el calentador al tanque de propano o gas LP, asegúrese de que la perilla del regulador del calentador esté en la posición de "APAGADO". Siempre conecte y encienda el calentador en áreas donde no haya llamas al descubierto.
10. Coloque los cilindros de propano o gas LP de forma vertical (con la válvula de cierre hacia arriba). Asegúrelos para que no se caigan ni los puedan volcar y protéjalos de daños.
11. **IMPORTANTE:** utilice únicamente el ensamblaje de manguera y regulador que se incluye con el calentador de dos quemadores montable en tanque. Inspeccione el ensamblaje de la manguera antes de cada uso. Si hay rozaduras o desgaste excesivos, o si la manguera tiene cortaduras, reemplácela con el ensamblaje de manguera que aparece en la lista de piezas antes de usar el calentador. La manguera y el regulador deben estar protegidos contra daños.
12. El quemador del calentador debe quedar al menos a 61 cm (2 pies) por encima del piso. Siempre conéctelo al tanque de propano o gas LP en posición vertical. Nunca haga funcionar el calentador colocado sobre uno de sus lados ni lo conecte al tanque de propano o gas LP en posición horizontal. Esto puede producir llamaradas peligrosas o incendios. No dirija el calor hacia los cilindros de propano o gas LP.
13. Mantenga las distancias mínimas con respecto a los materiales comunes combustibles (como el papel) como se indica a continuación: laterales, 91 cm (3 pies); partes superior y anterior, 1.5 m (5 pies). Sitúe el aparato a 3 m (10 pies) de lonas, toldos o cubiertas similares y asegure éstas para evitar que se sacudan o se muevan con la acción del viento.
14. Si en cualquier momento percibe olor a gas, **DETENGA INMEDIATAMENTE** el funcionamiento del aparato hasta que la fuente de donde proviene el gas haya sido localizada y reparada.

INFORMACIÓN DE SEGURIDAD

Continuación

15. Instale el calentador de manera que no esté expuesto a rocío de agua, lluvia, goteras o viento.
16. Hágalo funcionar únicamente sobre una superficie estable y nivelada.
17. Los adultos y los niños deben respetar las distancias mínimas para evitar quemaduras y que la ropa se encienda, pues la superficie y los conductos de salida alcanzan temperaturas elevadas.
18. No lo mueva, manipule ni repare mientras está caliente o encendido. No instale ni retire un calentador del tanque de propano o gas LP mientras está caliente o en operación.
19. Antes de cada uso, verifique si el calentador tiene alguna fuga. Nunca use una llama al descubierto para buscar fugas. Aplique una mezcla de jabón líquido y agua en todas las uniones. La formación de burbujas indicará una fuga. Repare todas las fugas.
20. Mantenga limpias todas las conexiones y los nipples. Asegúrese de que la válvula del tanque de propano o gas LP esté limpia. Antes de cada uso, verifique si la junta tórica de hule del conector de la válvula de combustible de entrada del calentador ha sufrido algún daño. Reemplácelo si está gastado o dañado.
21. Utilícelo sólo según los códigos locales o, a falta de éstos, de acuerdo a la *Norma para almacenamiento y manejo de gases licuados de petróleo ANSI/NFPA 58 y la norma CSA B149.1, Código de instalación de gas natural y propano.*

INSTRUCCIONES DE ENSAMBLAJE

SÓLO PARA MODELOS DE 30,000 BTU

1. Inspeccione los componentes del calentador para encontrar daños que pueda haber sufrido durante el transporte. Si se encuentra algún daño, informe inmediatamente al distribuidor. Revíselo para asegurarse que todos los componentes estén incluidos con el calentador (consulte las páginas 8 y 9).
2. Inserte el encendedor piezoeléctrico en el soporte del quemador como se muestra en la figura 1. Apriete la tuerca de montaje del elemento piezoeléctrico. No apriete la tuerca demasiado.
3. Conecte las mangueras del quemador como se muestra en la figura 2. Apriete con una llave para asegurarse que la conexión no tenga fugas.
4. Monte el ensamblaje del quemador en el brazo de apoyo con los soportes de montaje de la cabeza del quemador y los tornillos de latón, como se muestra en la figura 3. Coloque el lado del soporte en la ranura del brazo de apoyo. Asegúrelo con un tornillo. Compruebe que los orificios de aire en los laterales del tubo del quemador no estén bloqueados. Apriete los quemadores firmemente en su sitio.
5. Conecte los cables del electrodo al encendedor piezoeléctrico como se muestra en la figura 4.

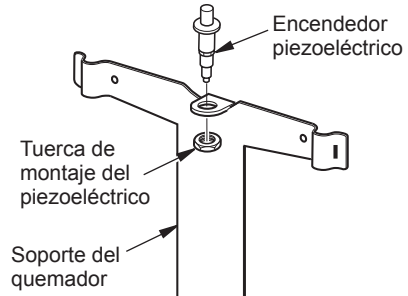


Figura 1 - Instalación del encendedor piezoeléctrico

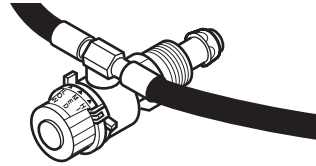


Figura 2 - Conexión de las mangueras del quemador al regulador

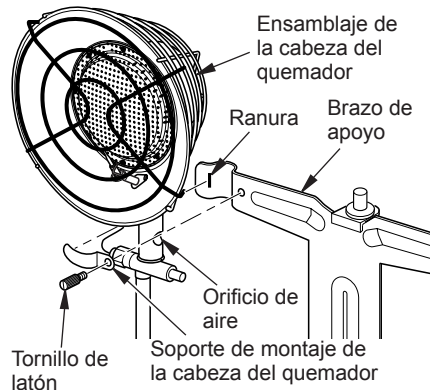


Figura 3 - Conexión del ensamblaje de la cabeza del quemador al brazo de apoyo

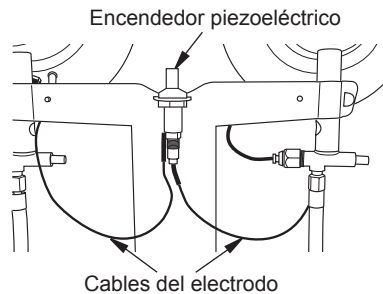


Figura 4 - Conexión de los cables del electrodo al encendedor piezoeléctrico

INSTRUCCIONES DE FUNCIONAMIENTO

1. Revise el calentador en busca de daños. Si el calentador está dañado, informe de inmediato al distribuidor a quien lo compró.
2. Siga todas las precauciones de seguridad y operación.
3. Revise la junta tórica en la rosca invertida antes de cada uso. Reemplace la junta tórica si presenta señales de desgaste o daños.
4. Asegúrese de que la perilla del regulador del calentador esté en la posición de "APAGADO".
5. **Sólo en los modelos de 30,000 BTU** Fije el calentador al resguardo del cilindro de propano o gas LP con el brazo de apoyo en el interior del resguardo y los pernos en los dos orificios del resguardo (consulte la figura 5). Apriete el soporte del brazo de apoyo en su sitio utilizando las tuercas mariposa que se incluyen.
6. **Para todos los modelos** Conecte el niple de rosca invertida en el regulador al cilindro de propano o gas LP girando la tuerca de rosca invertida en el sentido de las manecillas del reloj hacia el interior de la salida de la válvula del cilindro de propano o gas LP y apriétela firmemente con una llave.

⚠ ADVERTENCIA: Instale el calentador en posición vertical. Nunca instale el calentador en posición horizontal. Esto puede producir llamaradas peligrosas o incendios.

7. Apriete firmemente todas las conexiones de gas.
8. Abra la válvula de gas del cilindro y revise las conexiones para ver si hay fugas. Aplique una mezcla de jabón líquido y agua a todas las uniones de la línea de gas. La formación de burbujas indica una fuga que se debe corregir. **NO USE UNA LLAMA.**

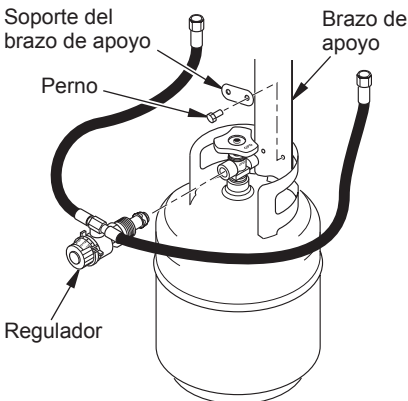


Figura 5 - Instalación del brazo de apoyo y el regulador en el tanque de propano o gas lp

PARA ENCENDER EL CALENTADOR

⚠ ADVERTENCIA: Cuando encienda el calentador NO lo vea desde la parte superior del mismo (el reflector). Manténgase a un lado del calentador durante el encendido. No se coloque ni ponga ninguna parte de su cuerpo frente al calentador.

⚠ ADVERTENCIA: ASEGÚRESE DE QUE NO HAYA LLAMAS AL DESCUBIERTO EN EL ÁREA. Abra completamente la válvula del cilindro de propano o gas LP.

Lea todas las instrucciones de encendido antes de tratar de encender el calentador.

1. Gire la perilla del regulador del calentador en sentido contrario al de las manecillas del reloj a la posición de "ALTO".
2. Presione varias veces el encendedor piezo-eléctrico y suéltelo (dos quemadores), o bien, acerque un fósforo encendido a la carátula del elemento de calefacción (rejilla de alambre) del calentador que está encendiendo, a través del orificio ubicado en la parte lateral del reflector. Consulte la figura 6.

⚠ PRECAUCIÓN: No lo encienda desde el orificio.

3. Oprima el botón rojo en la válvula de seguridad para que se permita la entrada de gas al quemador (consulte la figura 6).

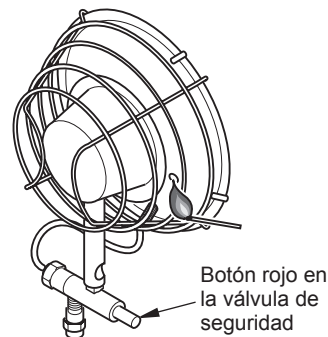


Figura 6 - Encendido del calentador con un fósforo

INSTRUCCIONES DE FUNCIONAMIENTO

Continuación

⚠ ADVERTENCIA: No oprima el botón rojo de la válvula antes de activar repetidamente el encendedor piezoeléctrico o de introducir un fósforo.

4. Cuando se encienda el gas en la rejilla de alambre, mantenga presionado el botón de la válvula durante 30 segundos y luego suéltelo.
5. Si la llama se apaga, espere 5 minutos y repita el procedimiento de encendido.
6. Si el calentador no enciende después de varios intentos, no intente reparar el calentador. Devuelva el calentador al centro de servicio autorizado más cercano o al fabricante del producto.
7. Para los modelos de dos quemadores, repita los pasos 1 a 4 para encender el otro quemador.
8. Una vez que ambos quemadores o que un quemador estén encendidos, gire la perilla del regulador del calentador a la configuración de calor deseada (BAJO, MEDIO, ALTO).

PARA APAGAR EL CALENTADOR

1. Cierre firmemente la válvula del cilindro de propano o gas LP.
2. Gire la perilla del regulador del calentador hacia la posición de "APAGADO". Espere 15 minutos a que se enfríe el calentador antes de manipularlo.
3. Siempre desmonte el calentador del tanque de propano o gas LP después de cada uso. No guarde el calentador mientras está instalado en el tanque de propano o gas LP. Retire el calentador del tanque de propano o gas LP girando la tuerca del conector de combustible en el sentido de las manecillas del reloj. Siempre guarde los tanques de propano o gas LP en el exterior. Nunca guarde el tanque de propano o gas LP en un área cerrada.

PARA VOLVER A ENCENDER EL CALENTADOR

1. Cierre firmemente la válvula del cilindro de propano o gas LP.
2. Espere 5 minutos.
3. Vuelva a encender siguiendo el procedimiento *Para encender el calentador* de la página 5.

MANTENIMIENTO Y ALMACENAMIENTO

1. Inspeccione al calentador antes de cada uso. Revise las conexiones en busca de fugas. Aplique una mezcla de jabón líquido y agua en todas las conexiones. La formación de burbujas indica una fuga que se debe corregir. Repare todas las fugas inmediatamente. Haga que una persona capacitada de servicio inspeccione el calentador al menos una vez cada año.
2. Antes de cada uso, verifique el apoyo de la junta tórica en la esquina redondeada del niple de rosca invertida. Si la junta tórica presenta cortaduras, rasguños u otro tipo de daño, reemplácela con el repuesto número 6681.
3. Inspeccione el ensamblaje de manguera-regulador antes de cada uso. Si la manguera está muy desgastada o con roturas, reemplácela.
3. Cierre el gas en el cilindro de suministro propano o gas LP cuando el calentador no esté en uso.
4. Cuando el calentador se va a guardar, se debe desconectar la conexión entre el cilindro de suministro de gas propano o LP y el calentador, y el cilindro se debe retirar del calentador y guardarse en el exterior, según lo estipulado en el capítulo 5 de la *Norma de almacenamiento y manejo de gas licuado de petróleo ANSI/NFPA 58*.

REPARACIONES

Si se utiliza un calentador que ha sido modificado o que no funciona correctamente, se puede generar una condición de peligro. Cuando el calentador funciona correctamente:

- La rejilla emisora brilla en color rojo o naranja intenso.
- No hay llamas por encima del quemador.
- La llama se quema en la superficie de la rejilla y no en el interior del quemador (retornos de llama).
- No se experimentan olores desagradables e intensos, ardor de ojos ni otras molestias físicas.
- No hay humo ni hollín dentro o fuera del calentador.
- El calentador no se apaga repentina e inexplicablemente.

Las listas de piezas y la vista esquemática muestran la forma en la que el calentador está construido. No utilice un calentador que sea diferente del que se muestra. A este respecto, utilice sólo la manguera, el regulador y el niple de conexión al cilindro (conocido como niple de rosca invertida) incluidos con el calentador. **IMPORTANTE:** para este calentador, el regulador se debe instalar como se muestra en las *Especificaciones* en la página 2. Si tiene dudas acerca de la configuración del regulador, haga que la revisen.

SERVICIO TÉCNICO

Si un calentador no funciona correctamente debe ser reparado, pero sólo puede hacerlo una persona capacitada de servicio y con experiencia. Para encontrar el centro de servicio más cercano, o si tiene más preguntas acerca del calentador, comuníquese con el departamento de servicio técnico de DESA Heating Products, al 1-866-672-6040. Al llamar, tenga a la mano los números de modelo y serie de su calentador.

También puede visitar el sitio web de servicio técnico de DESA Heating Products en www.desatech.com.

También puede recibir servicio, cubierto o no cubierto por la garantía, si lleva el producto al centro de servicio local.

PIEZAS DE REPUESTO



ADVERTENCIA: Use sólo piezas de repuesto originales. Este calentador debe usar piezas diseñadas específicamente. No las sustituya ni use piezas genéricas. El uso de piezas de repuesto inadecuadas puede ocasionar lesiones graves o fatales. Esto también protegerá la cobertura de su garantía para piezas reemplazadas con garantía.

PIEZAS CON GARANTÍA

Comuníquese con los distribuidores autorizados de este producto. Si ellos no pueden suministrar piezas de repuesto originales, comuníquese con la Central de piezas más cercana o llame al Departamento de servicios técnicos de DESA Heating Products al 1-866-672-6040.

Cuando llame a DESA Heating Products, tenga listo:

- su nombre
- su dirección
- el número de modelo de su calentador
- la falla del calentador
- la fecha de compra

PIEZAS SIN GARANTÍA

Comuníquese con los distribuidores autorizados de este producto. Si ellos no pueden suministrar piezas de repuesto originales, comuníquese con la Central de piezas más cercana (listada en el folleto de Centros de servicio autorizados), o bien, llame a DESA Heating Products al 1-866-672-6040 para obtener información de referencia.

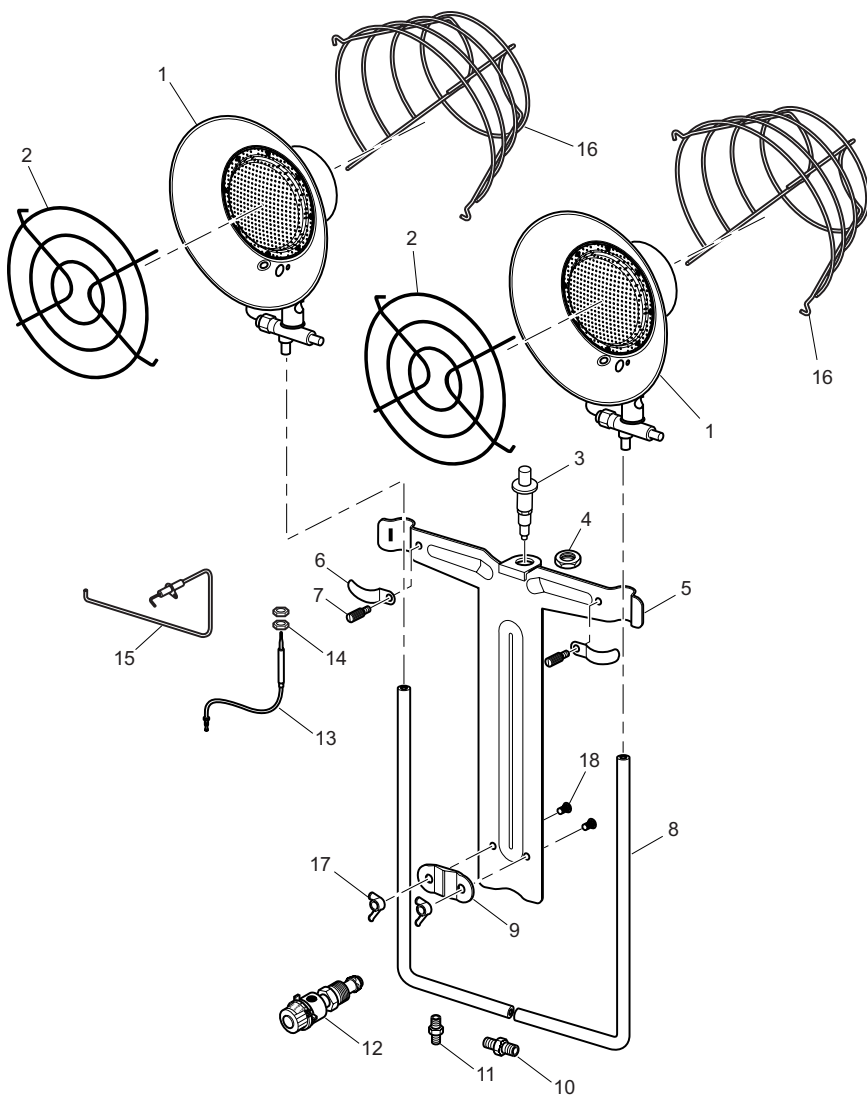
Cuando llame a DESA Heating Products, tenga listo:

- el número de modelo de su calentador
- el número de la pieza de repuesto

CLASIFICACIÓN ILUSTRADA DE PIEZAS

MODELOS

SPC-30RG, HD30G, TT30G

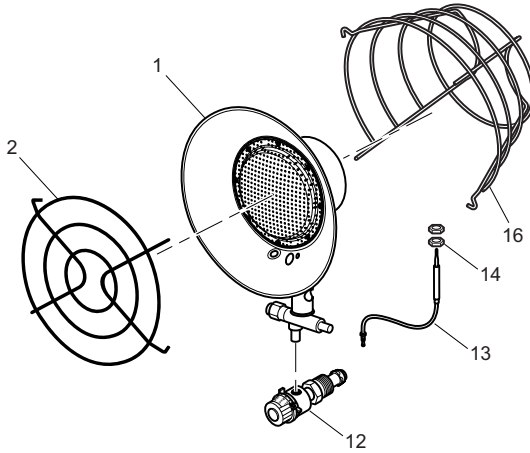


LISTA DE PIEZAS

Esta lista contiene las partes reemplazables utilizadas en el calentador. Al hacer un pedido de piezas, siga las instrucciones listadas en *Piezas de repuesto* en la página 7 de este manual.

MODELOS

SPC-15RG, HD15G, TC108, TC109, TT15G



N°	N° DE PARTE	DESCRIPCIÓN	CANT		
			15,000 Btu	30,000 Btu	
1	114092-01	Ensamblaje de la cabeza del quemador	•	•	1-2
2	100911-01	Parrilla	•	•	1-2
3	097159-05	Encendedor piezoeléctrico	•	•	1
4	102334-01	Tuerca, piezoeléctrico	•	•	1
5	Brazo de apoyo	•	•	1	
6	114099-01	Soporte de montaje de la cabeza del quemador	•	•	2
7	114145-01	Tornillo de latón	•	•	2
8	114093-01	Ensamblaje de la manguera	•	•	2
9	114096-01	Soporte del brazo de apoyo	•	•	1
10	114098-01	Niple	•	•	1
11	114097-01	Niple	•	•	1
12	LPA2025	Regulador de exceso de flujo con rosca invertida	•	•	2-1
13	114100-01	Termopar	•	•	1-2
14	100898-01	Tuerca del termopar	•	•	2-4
15	114094-01	Ensamblaje del electrodo (Redondo)	•	•	1
	114094-02	Ensamblaje del electrodo (Plano)	•	•	1
16	116995-01	Protector posterior	•	•	1-2
17	115063-01	Tuerca de mariposa	•	•	2
18	115062-01	Tornillo con reborde de 5/16", 18 x 1.25	•	•	2
PIEZAS DISPONIBLES - (NO SE MUESTRAN)					
	114091-07	Etiqueta colgante de instrucciones (en inglés)	•	•	1
	114091-10	Etiqueta colgante de instrucciones (en inglés)	•	•	1
	114091-08	Etiqueta colgante de instrucciones (en español)	•	•	1
	114091-11	Etiqueta colgante de instrucciones (en español)	•	•	1
	114091-09	Etiqueta colgante de instrucciones (en francés)	•	•	1
	114091-12	Etiqueta colgante de instrucciones (en francés)	•	•	1
	LPA5050	Ensamblaje de malla de repuesto	•	•	1-2

GARANTÍA Y SERVICIO DE REPARACIÓN

GUARDE ESTA GARANTÍA

Modelo _____

N° de serie _____

Fecha de compra _____

GARANTÍA LIMITADA PARA PRODUCTOS NUEVOS Y REACONDICIONADOS DE FÁBRICA

Productos nuevos: DESA Heating Products garantiza este calentador y cualquiera de las piezas incluidas contra cualquier defecto de materiales y mano de obra durante un (1) año a partir de la fecha de compra, siempre y cuando se haya operado y haya recibido mantenimiento según las instrucciones del fabricante. Estas garantías se extienden solamente al comprador minorista original, cuando se tiene un comprobante de compra.

Calentadores reacondicionados de fábrica: DESA Heating Products garantiza este calentador reacondicionado de fábrica y cualquiera de las piezas incluidas contra cualquier defecto de materiales y mano de obra durante treinta (30) días a partir de la fecha de compra, siempre y cuando se haya operado y haya recibido mantenimiento según las instrucciones del fabricante. Estas garantías se extienden solamente al comprador minorista original, cuando se tiene un comprobante de compra.

Esta garantía se extiende únicamente a favor del comprador minorista original. Esta garantía sólo cubre el costo de las piezas requeridas para restablecer este calentador a su condición de operación adecuada. Las piezas deben adquirirse por medio de los distribuidores autorizados de este producto y por medio de DESA Heating Products, quienes proveerán las piezas de repuesto originales de fábrica. Si no se utilizan piezas de repuesto originales de fábrica, esta garantía quedará anulada. El calentador se debe usar de acuerdo con todos los códigos locales e instrucciones incluidas con la unidad.

Esta garantía no cubre las piezas que no estén en su condición original a causa del desgaste y roturas normales, ni las piezas que fallen o se dañen como resultado del uso incorrecto, accidentes, falta de mantenimiento adecuado, alteraciones, manipulaciones, combustibles contaminados o defectos ocasionados por una instalación incorrecta. Los costos de viaje, transporte e incidentales relacionados con la reparación bajo la garantía no son reembolsables al amparo de esta garantía y son responsabilidad del propietario.

Hasta donde lo permita la ley de la jurisdicción que regula la venta del producto, esta garantía explícita excluye las demás garantías explícitas de aprovechamiento e idoneidad para un propósito particular a UN AÑO a partir de la fecha de la primera compra, y la responsabilidad de DESA HEATING PRODUCTS se limita al precio de compra del producto y DESA HEATING PRODUCTS no será responsable de ningún otro daño en absoluto, incluso daños indirectos, incidentales o consiguientes.

En algunos estados no se permiten las limitaciones en cuanto a la duración de las garantías implícitas o las exclusiones o limitaciones de los daños incidentales o consiguientes, de manera que es posible que la limitación anterior referente a las garantías implícitas o la exclusión o limitación de daños no se aplique a usted.

Esta garantía otorga derechos legales específicos al comprador minorista original. Para obtener información referente a esos derechos, consulte las leyes estatales correspondientes.



INDOOR/OUTDOOR PRODUCTS

2701 Industrial Drive

P.O. Box 90004

Bowling Green, KY 42102-9004, EE.UU.

ATTN: Customer Service Department

117240-01

Rev. C

05/06

Appareil de chauffage à infrarouge à monter sur réservoir Manuel d'utilisation

MODÈLES À UN BRÛLEUR
10 000-15 000 BTU
MODÈLES À DEUX BRÛLEURS
10 000-30 000 BTU

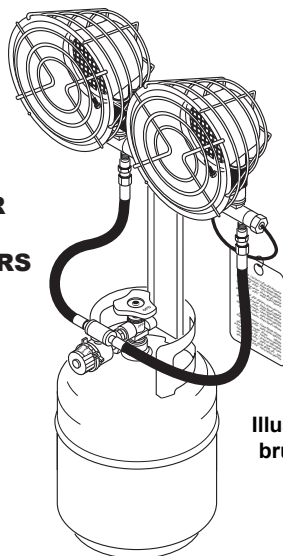


Illustration de deux
brûleurs à monter
sur réservoir

POUR VOTRE PROTECTION
Si vous sentez une odeur de gaz :

1. Coupez l'arrivée de gaz de l'appareil.
2. Éteignez les flammes nues.

POUR VOTRE PROTECTION
N'entreposez pas et n'utilisez pas d'essence, ni de vapeurs ou de liquides inflammables près de cet appareil ou de tout autre appareil.



AVERTISSEMENT



RISQUE D'EMPOISONNEMENT AU MONOXYDE DE CARBONE

Cet appareil peut produire du monoxyde de carbone, lequel n'a pas d'odeur.

Vous risquez la mort si vous l'utilisez dans un espace fermé.

N'utilisez jamais cet appareil dans un espace fermé, comme un véhicule de camping, une tente, une voiture ou une maison.

IMPORTANT : Lisez et comprenez ce guide avant d'assembler, d'allumer ou de réparer l'appareil de chauffage. Une mauvaise utilisation de l'appareil de chauffage peut causer des blessures graves. Conservez ce guide pour référence future.

 AVERTISSEMENT DE RISQUE GÉNÉRAL :

Tout manquement aux précautions et aux instructions fournies avec cet appareil de chauffage peut causer la mort, des blessures corporelles graves ainsi que la perte de biens et des dommages causés par les risques associés au feu, à une explosion, aux brûlures, à l'asphyxie, à l'empoisonnement par le monoxyde de carbone et aux chocs électriques.

Seuls les individus qui comprennent et qui respectent ces instructions peuvent utiliser ou réparer cet appareil de chauffage.

Si vous avez besoin d'assistance ou de renseignements concernant l'appareil de chauffage tels que le guide d'instructions, les étiquettes, etc., communiquez avec le fabricant.

TABLE DES MATIÈRES

Spécifications	2	Réparation	7
Informations relatives à la sécurité	3	Service technique	7
Instructions d'assemblage	4	Pièces de rechange	7
Notice d'utilisation	5	Vue détaillée et liste des pièces	8
Entretien et entreposage	6	Service de garantie et de réparation	Dos

SPÉCIFICATIONS

15 000 BTU/HR MODÈLES

- Rendement: 10 000 à 15 000 Btu/h (3,0 à 4,4 kW)
- Type de gaz: Propane ou GPL uniquement
- Allumage: Allumette
- Pression du gaz à l'entrée du détendeur:
Max - Pression du réservoir, Min - 1,37 bar
(20 lb/po²)
- Pression de la sortie du détendeur: de 0,68 à 1,2 bar (de 10 à 18 lb/po²)
- Température ambiante minimale: -17,8° C (0° F)
- Consommation de carburant par bouteille de 9 kg (20 po): 36 heures

30 000 BTU/HR MODÈLES

- Rendement: 10,000 à 30,000 Btu/hr (3,0 à 8,8 kW)
- Type de gaz: Propane ou GPL uniquement
- Allumage: Allumage piézo-électrique
- Pression du gaz à l'entrée du détendeur:
Max - Pression du réservoir, Min - 1,37 bar
(20 lb/po²)
- Pression de la sortie du détendeur: de 0,68 à 1,2 bar (de 10 à 18 lb/po²)
- Température ambiante minimale: -17,8° C (0° F)
- Consommation de carburant par bouteille de 9 kg (20 po): 18 heures

INFORMATIONS RELATIVES À LA SÉCURITÉ

⚠ AVERTISSEMENT : Cet appareil contient ou produit des produits chimiques déterminés par l'État de Californie comme cancérigènes et pouvant causer des malformations congénitales et d'autres problèmes reliés à la reproduction.

⚠ AVERTISSEMENT : Cet appareil n'est pas conçu pour usage domestique ou dans les véhicules de camping.

⚠ AVERTISSEMENT : Danger d'incendie, de brûlure, d'inhalation et d'explosion. Gardez les produits combustibles solides comme les matériaux de construction, le papier et les cartons, à une distance sécuritaire de l'appareil de chauffage tel que recommandé dans les instructions. N'utilisez jamais l'appareil de chauffage dans des espaces susceptibles de contenir des combustibles volatils ou atmosphériques, ou des produits tels que de l'essence, des diluants, du solvant à peinture, des particules de poussières ou des produits chimiques inconnus.

RISQUE D'ASPHYXIE

- N'utilisez pas cet appareil de chauffage pour chauffer des habitations.
- Ne l'utilisez pas dans les endroits qui ne sont pas ventilés.
- La circulation d'air de combustion et de ventilation ne doit pas être bloquée.
- La ventilation d'air doit être adéquate pour les besoins en combustion de l'appareil de chauffage utilisé.
- Reportez-vous à la section sur les spécifications, dans le manuel de l'appareil de chauffage et sur la plaque signalétique de l'appareil de chauffage, ou communiquez avec DESA Heating Products pour déterminer les besoins en ventilation d'air de l'appareil de chauffage.
- Une ventilation d'air insuffisante produira une mauvaise combustion.
- Une mauvaise combustion peut engendrer un empoisonnement au monoxyde de carbone et causer des troubles de santé graves ou mortels. Les symptômes possibles de l'empoisonnement au monoxyde de carbone sont les maux de tête, le vertige et les troubles respiratoires.

1. Ne laissez pas les enfants et les animaux s'approcher de l'appareil de chauffage.
2. N'utilisez jamais l'appareil de chauffage s'il est laissé sans surveillance ou pendant que vous dormez.
3. Examinez soigneusement l'appareil de chauffage pour vérifier qu'il n'est pas endommagé. N'utilisez pas d'appareil de chauffage endommagé.
4. Ne modifiez pas l'appareil de chauffage et ne faites pas fonctionner un appareil de chauffage dont la condition d'origine a été modifiée.
5. N'utilisez que du gaz propane ou du GPL.
6. N'utilisez qu'une alimentation en propane ou en GPL composé pour le retrait de vapeur. Si vous avez des questions sur le retrait de vapeur, communiquez avec votre fournisseur de propane ou de GPL.
7. Pour usage à l'extérieur uniquement. L'endroit où se trouve l'appareil doit être bien ventilé. Prévoyez des ouvertures d'au moins 0,093m² (1 pi²) près du sol et de 0,093m² (1 pi²) près du plafond. N'utilisez pas l'appareil dans une maison, un véhicule de camping ou autre, une tente, ou autre endroit clos ou sans ventilation.
8. N'utilisez pas l'appareil de chauffage dans les sous-sols ou sous le niveau du sol.
9. Avant de raccorder l'appareil de chauffage au réservoir de propane ou de GPL, vérifiez que le bouton de réglage de l'appareil de chauffage est sur « OFF » (ARRÊT). Raccordez et allumez toujours l'appareil de chauffage dans un endroit où il n'y a pas de flamme nue.
10. Montez les bouteilles de propane ou de GPL à la verticale (avec la vanne d'arrêt au-dessus). Assurez-vous qu'elles ne risquent pas de tomber, de se renverser ou d'être endommagées.
11. **IMPORTANT :** N'utilisez que l'assemblage de tuyau et de détendeur fourni avec l'appareil de chauffage à deux brûleurs à monter sur réservoir. Inspectez l'assemblage du tuyau et du détendeur avant chaque utilisation. Si le tuyau montre des signes d'usure excessive ou s'il est fendu, remplacez-le avec l'assemblage de tuyau indiqué sur la liste des pièces avant d'utiliser l'appareil de chauffage. Il faut protéger le tuyau et le détendeur contre les dommages éventuels.
12. Le brûleur de l'appareil de chauffage doit être au moins à 61 cm (2 pi) au-dessus du sol. Raccordez toujours le réservoir de propane ou de GPL verticalement. Ne faites jamais fonctionner un appareil de chauffage reposant sur son côté et ne raccordez jamais un réservoir de propane ou de GPL à l'horizontale. Il y aurait des risques de retours de flamme dangereux ou d'incendie. Ne dirigez pas la chaleur vers les bouteilles de propane ou de GPL.
13. Maintenez les distances minimales suivantes entre l'appareil et les matériaux combustibles (comme le papier) : Côtés - 0,91 m (3 pi); Dessus et avant - 1,5 m (5 pi). Placez à 3 m (10 pi) des bâches de protection en plastique ou en tissu, ou des couvertures de ce type et fixez ces dernières pour qu'elles ne risquent pas de battre ou de bouger dans le vent.
14. Si jamais vous détectez une odeur de gaz, ARRÊTEZ IMMÉDIATEMENT l'appareil jusqu'à ce que la source du gaz soit détectée et que la fuite soit réparée.

INFORMATIONS RELATIVES À LA SÉCURITÉ *Suite*

15. Installez l'appareil de chauffage de sorte qu'il soit protégé des éclaboussures, de la pluie, de l'eau ruisselante et du vent.
16. Ne faites fonctionner l'appareil que sur une surface stable et de niveau.
17. À cause des températures élevées des surfaces et de la sortie d'air, les adultes et les enfants doivent rester aux distances spécifiées pour éviter les brûlures et que leurs vêtements prennent feu.
18. Ne déplacez pas, ne manipulez pas et ne réparez pas l'appareil s'il est brûlant ou en marche. Ne raccordez pas et ne détachez pas un appareil de chauffage brûlant ou en marche d'un réservoir de propane ou de GPL.
19. Avant chaque utilisation, vérifiez que l'appareil de chauffage n'a pas de fuites. N'utilisez jamais de flamme nue pour rechercher une fuite. Appliquez un mélange de savon liquide et d'eau à tous les joints. La présence de bulles indique une fuite. Réparez toutes les fuites.
20. Maintenez tous les branchements et les raccords propres. Assurez-vous que le robinet du réservoir de propane est propre. Vérifiez que le joint torique en caoutchouc du raccord d'admission du carburant de l'appareil de chauffage n'est pas endommagé avant chaque utilisation. Remplacez-le s'il est usé ou endommagé.
21. Utilisez uniquement en conformité avec les codes locaux ou, en l'absence de ceux-ci, avec la *norme pour l'emmagasinement et la manipulation du gaz de pétrole liquéfié ANSI/NFPA 58 et le code d'installation du gaz naturel et du propane, CSA B149.1.*

INSTRUCTIONS D'ASSEMBLAGE

MODÈLES À 30 000 BTU UNIQUEMENT

1. Inspectez les éléments de l'appareil de chauffage pour vérifier qu'ils n'ont pas été endommagés durant le transport. S'ils sont endommagés, informez-en au plus vite le revendeur. Vérifiez que tous les éléments sont présents (voir pages 8 et 9).
2. Engagez l'allumeur piézo-électrique dans le montant du brûleur comme l'illustre la figure 1. Serrez l'écrou de fixation de l'allumeur piézo-électrique. Ne serrez pas l'écrou trop fermement.
3. Raccordez les tuyaux des brûleurs l'un à l'autre comme l'illustre la figure 2. Serrez avec une clé pour que le raccord ne fuie pas.
4. Montez l'assemblage du brûleur sur le bras du montant en utilisant les supports de montage de la tête du brûleur et les vis en laiton comme l'illustre la figure 3. Insérez le bout du support dans la fente du bras. Fixez avec une vis. Vérifiez que les orifices d'aération sur les côtés de la tubulure du brûleur ne sont pas bouchés. Serrez fermement les brûleurs en place.
5. Attachez les fils de l'électrode à l'allumeur piézo-électrique comme l'illustre la figure 4.

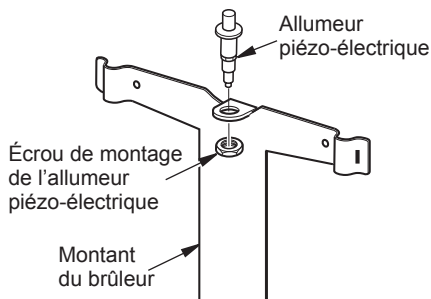


Figure 1 - Installation de l'allumeur piézo-électrique

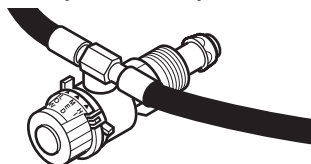


Figure 2 - Branchement des tuyaux des brûleurs au détendeur

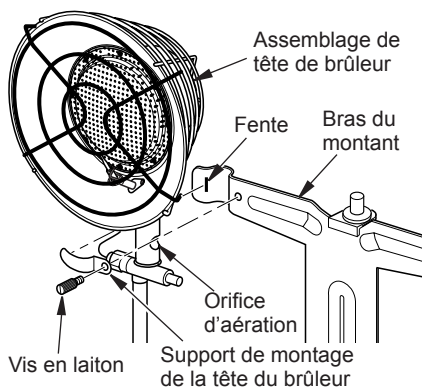


Figure 3 - Fixation de l'assemblage de la tête du brûleur au bras du montant

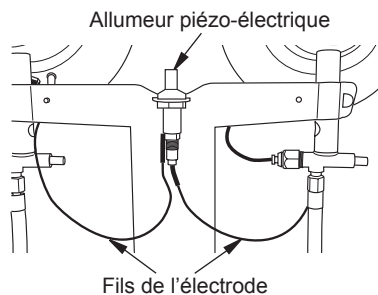


Figure 4 - Fixation des fils de l'électrode à l'allumeur piézo-électrique

NOTICE D'UTILISATION

1. Vérifiez que l'appareil de chauffage n'est pas endommagé. Si l'appareil de chauffage est endommagé, informez-en au plus vite le revendeur où vous l'avez acheté.
2. Respectez toutes les consignes de sécurité et les précautions d'utilisation.
3. Examinez le joint torique sur le PHE avant chaque utilisation. Remplacez le joint torique s'il porte des signes d'usure ou d'endommagement.
4. Vérifiez que le bouton de réglage de l'appareil de chauffage est sur « OFF » (ARRÊT).
5. **Modèles à 30 000 Btu uniquement** Fixez l'appareil de chauffage à la plaque de protection de la bouteille de propane ou de GPL en plaçant le montant à l'intérieur de la plaque et en passant les boulons dans les deux trous de la plaque (voir figure 5). Serrez le support du montant en place avec les écrous à oreilles fournis.
6. **Pour tous les modèles** Connectez le raccord PHE au détendeur à la bouteille de propane ou de GPL en le faisant tourner dans le sens inverse des aiguilles d'une montre dans la sortie du robinet de la bouteille de propane ou de GPL, et serrez bien la connexion avec une clé.

⚠ AVERTISSEMENT : Raccordez l'appareil de chauffage debout. Ne le raccordez jamais couché sur son côté. Il y aurait des risques de retours de flamme dangereux ou d'incendie.

7. Fixez fermement tous les raccords de gaz.
8. Ouvrez le robinet de gaz de la bouteille et vérifiez qu'aucun des raccords ne fuit. Appliquez un mélange de savon liquide et d'eau aux joints servant au gaz. L'apparition de bulles indique la présence d'une fuite qui doit être réparée. **N'UTILISEZ PAS DE FLAMME.**

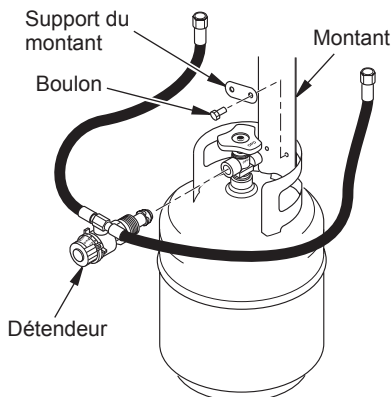


Figure 5 - Fixation du montant et du détendeur au réservoir de propane ou de GPL

POUR ALLUMER L'APPAREIL DE CHAUFFAGE

⚠ AVERTISSEMENT : Lorsque vous allumez l'appareil de chauffage, NE regardez PAS par-dessus l'appareil (le réflecteur). Mettez-vous de côté pendant l'allumage de l'appareil de chauffage. Ne placez aucune partie de votre corps devant l'appareil de chauffage.

⚠ AVERTISSEMENT : ASSUREZ-VOUS QU'IL N'Y A PAS DE FLAMME NUE À PROXIMITÉ. Ouvrez complètement le robinet de la bouteille de propane ou de GPL.

Lisez toutes les instructions d'allumage avant d'essayer d'allumer l'appareil de chauffage.

1. Tournez le bouton de réglage de l'appareil de chauffage dans le sens inverse des aiguilles d'une montre pour le régler sur « HI » (HAUT).
2. Poussez et relâchez en succession rapide l'allumeur piézo-électrique (deux brûleurs) ou placez une allumette allumée près de l'avant de l'élément de chauffage (l'écran grillagé) du brûleur que vous allumez en utilisant le trou situé sur le côté du réflecteur. Voir figure 6.

⚠ ATTENTION : N'allumez pas à l'orifice.

3. Appuyez sur le bouton rouge de la soupape de sécurité qui laisse entrer le gaz au brûleur (voir figure 6).

⚠ AVERTISSEMENT : Avant d'appuyer sur le bouton rouge, il faut activer l'allumeur piézo-électrique à plusieurs reprises ou insérer une allumette.

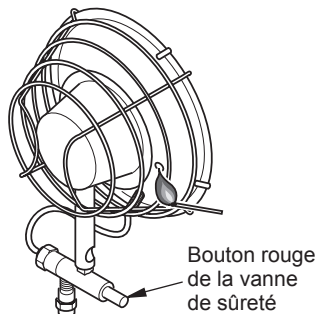


Figure 6 - Allumage de l'appareil de chauffage avec une allumette

NOTICE D'UTILISATION

Suite

4. Lorsque le gaz s'allume à l'avant de l'écran grillagé, continuez à appuyer sur le bouton de la soupape pendant 30 secondes, puis relâchez-le.
5. Si la flamme s'éteint, attendez 5 minutes puis recommencez la procédure d'allumage.
6. Si l'appareil de chauffage ne s'allume pas après plusieurs tentatives, n'essayez pas de le réparer. Retournez l'appareil de chauffage au centre de service autorisé le plus près ou au fabricant.
7. Pour les modèles à deux brûleurs, répétez les étapes 1 à 4 pour allumer l'autre brûleur.
8. Une fois que le ou les brûleurs sont allumés, tournez le bouton de réglage de l'appareil de chauffage pour le mettre au réglage désiré (LOW, MED, HI [BAS, MOYEN, HAUT]).

POUR ARRÊTER L'APPAREIL DE CHAUFFAGE

1. Fermez complètement le robinet de la bouteille de propane ou de GPL.
2. Tournez le bouton de réglage de l'appareil de chauffage pour le mettre sur « OFF » (ARRÊT). Attendez 15 minutes pour que l'appareil de chauffage refroidisse avant de le manipuler.
3. Retirez toujours l'appareil de chauffage du réservoir de propane ou de GPL quand vous ne l'utilisez plus. N'entreposez jamais l'appareil de chauffage raccordé à une bouteille de propane ou de GPL. Retirez l'appareil de chauffage du réservoir de propane ou de GPL en faisant tourner l'écrou du connecteur de carburant dans le sens des aiguilles d'une montre. Entreposez toujours la bouteille de propane ou de GPL à l'extérieur. N'entreposez jamais de réservoir de propane ou de GPL dans un endroit fermé.

POUR REDÉMARRER L'APPAREIL DE CHAUFFAGE

1. Fermez complètement le robinet de la bouteille de propane ou de GPL.
2. Attendez 5 minutes.
3. Rallumez en suivant la procédure de la section *Pour allumer l'appareil de chauffage*, page 5.

ENTRETIEN ET ENTREPOSAGE

1. Inspectez l'appareil de chauffage avant chaque utilisation. Vérifiez que les branchements ne fuient pas. Appliquez un mélange de savon liquide et d'eau aux raccords. L'apparition de bulles indique la présence d'une fuite qui doit être réparée. Répare toutes les fuites immédiatement. Faites inspecter l'appareil de chauffage une fois l'an par un technicien de service qualifié.
2. Avant chaque utilisation, examinez le siège du joint torique de l'embout du raccord PHE. Si le joint torique est fendu, usé ou endommagé, remplacez-le par la pièce n° 6681.
3. Inspectez l'assemblage du tuyau et du détendeur avant chaque utilisation. Si le tuyau est très usé ou fendu, remplacez-le.
3. Coupez le gaz à la bouteille de propane ou de GPL quand l'appareil de chauffage n'est pas utilisé.
4. Pour entreposer l'appareil de chauffage, la bouteille de propane ou de GPL doit être déconnectée de l'appareil de chauffage et retirée de ce dernier; elle doit être entreposée à l'extérieur conformément aux directives du chapitre 5 de la *norme pour l'emménagement et la manipulation des gaz de pétrole liquéfiés ANSI/NFPA 58*.

RÉPARATION

Il est dangereux d'utiliser un appareil de chauffage qui a été modifié ou qui ne fonctionne pas normalement. L'appareil de chauffage fonctionne normalement si :

- L'écran rayonnant est rouge orangé.
- Il n'y a pas de flammes au-dessus du brûleur.
- La flamme brûle à la surface de l'écran plutôt qu'à l'intérieur du brûleur (retour de flamme).
- Vous n'éprouvez aucun malaise physique, vos yeux ne sont pas irrités et vous ne détectez pas de forte odeur déplaisante.
- Il n'y a pas de fumée ou de suie à l'intérieur ou à l'extérieur de l'appareil de chauffage.
- L'appareil de chauffage ne s'éteint pas de façon soudaine et inattendue.

Les listes des pièces et la vue éclatée illustrent l'appareil de chauffage tel qu'il a été conçu. N'utilisez pas un appareil de chauffage s'il diffère de celui illustré. En outre, n'utilisez que le tuyau, le détendeur et le raccord de bouteille (appelé aussi raccord PHE) fourni avec l'appareil de chauffage. **IMPORTANT :** Pour cet appareil de chauffage, le détendeur doit être réglé comme indiqué dans la section *Spécifications*, page 2. Si vous n'êtes pas sûr du réglage du détendeur, faites-le vérifier.

SERVICE TECHNIQUE

Un appareil de chauffage qui ne fonctionne pas correctement doit être réparé par un technicien de service qualifié. Pour trouver le centre de service le plus près de chez vous, ou si vous avez d'autres questions au sujet de cet appareil de chauffage, communiquez avec le service technique de DESA Heating Products au 1-866-672-6040. Lorsque vous appelez, ayez sous la main les numéros de modèle et de série de votre appareil de chauffage.

Vous pouvez aussi visiter le site Web du service technique de DESA Heating Products à www.desatech.com.

Vous pouvez aussi obtenir un entretien sous garantie ou hors garantie en amenant le produit au centre de service local.

PIÈCES DE RECHANGE

⚠ AVERTISSEMENT : N'utilisez que des pièces de rechange DESA. Cet appareil de chauffage utilise des pièces conçues spécifiquement pour lui. N'utilisez pas de substituts ou de pièces génériques. L'utilisation de pièces de rechange inadéquates peut causer des blessures graves ou fatales. Ceci protégera également la garantie des pièces remplacées sous garantie.

PIÈCES SOUS GARANTIE

Prenez contact avec les revendeurs autorisés de ce produit. S'ils ne peuvent pas vous fournir de pièces de rechange DESA d'origine, prenez contact avec le dépôt de pièces le plus proche ou appelez le service technique de DESA Heating Products au 1-866-672-6040.

Lorsque vous appelez DESA Heating Products, ayez sous la main :

- votre nom
- votre adresse
- le numéro du modèle de l'appareil de chauffage
- le type de panne de l'appareil de chauffage
- la date de l'achat

PIÈCES QUI NE SONT PAS SOUS GARANTIE

Prenez contact avec les revendeurs autorisés de ce produit. S'ils ne peuvent pas vous fournir de pièces de rechange d'origine, communiquez avec le dépôt de pièces le plus proche (liste dans la brochure distincte des centres de service autorisés) ou appelez DESA Heating Products au 1-866-672-6040 pour obtenir une référence.

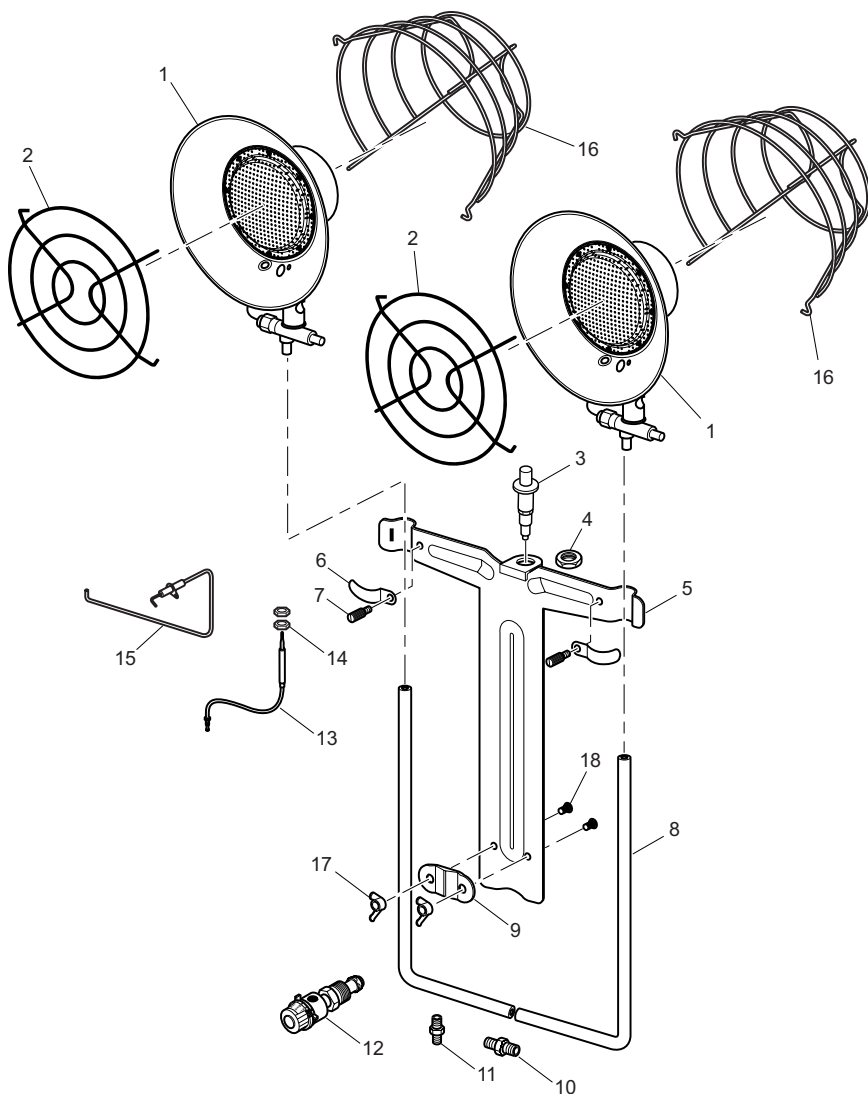
Lorsque vous appelez DESA Heating Products, ayez sous la main :

- le numéro du modèle de l'appareil de chauffage
- le numéro de la pièce de rechange

VUE DÉTAILLÉE DES PIÈCES

MODÈLES

SPC-30RG, HD30G ET TT30G

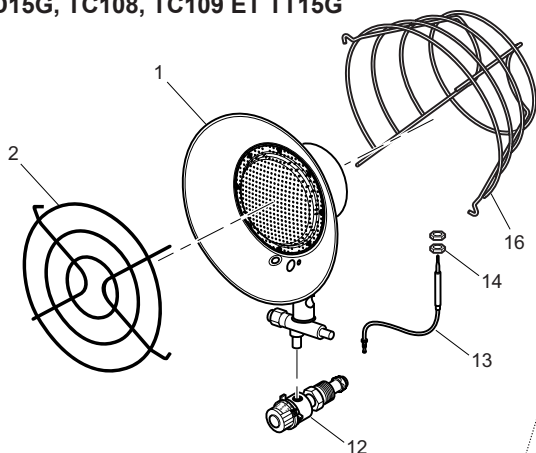


LISTE DES PIÈCES

Cette liste contient les pièces de rechange utilisées dans votre appareil de chauffage. Quand vous commandez des pièces, reportez-vous aux instructions de la section *Pièces de rechange*, à la page 7. de ce mode d'emploi.

MODÈLES

SPC-15RG, HD15G, TC108, TC109 ET TT15G



N°	NUMÉRO DE PIÈCE	DESCRIPTION	15 000 Btu		30 000 Btu		QTÉ
1	114092-01	Assemblage de tête de brûleur	•	•	•	•	1-2
2	100911-01	Grille	•	•	•	•	1-2
3	097159-05	Allumeur piézo-électrique	•	•	•	•	1
4	102334-01	Écrou, allumeur piézo-électrique	•	•	•	•	1
5	114095-01	Montant	•	•	•	•	1
6	114099-01	Support de montage de la tête du brûleur	•	•	•	•	2
7	114145-01	Vis en laiton	•	•	•	•	2
8	114093-01	Assemblage de tuyau	•	•	•	•	2
9	114096-01	Support du montant	•	•	•	•	1
10	114098-01	Raccord	•	•	•	•	1
11	114097-01	Raccord	•	•	•	•	1
12	LPA2025	PHE contre excès de remplissage/Détendeur	•	•	•	•	2-1
13	114100-01	Thermocouple	•	•	•	•	1-2
14	100898-01	Écrou du thermocouple	•	•	•	•	2-4
15	114094-01	Assemblage d'électrode (cylindrique))	•	•	•	•	1
	114094-02	Assemblage d'électrode (plate)	•	•	•	•	1
16	116995-01	Grille de protection arrière	•	•	•	•	1-2
17	115063-01	Écrou à oreilles	•	•	•	•	2
18	115062-01	Boulon à épaulement 5/16-18 x 1,25	•	•	•	•	2
PIÈCES DISPONIBLES — PAS ILLUSTRÉES							
	114091-07	Étiquette à fil d'instructions (en anglais)	•	•	•	•	1
	114091-10	Étiquette à fil d'instructions (en anglais)	•	•	•	•	1
	114091-08	Étiquette à fil d'instructions (en espagnol)	•	•	•	•	1
	114091-11	Étiquette à fil d'instructions (en espagnol)	•	•	•	•	1
	114091-09	Étiquette à fil d'instructions (en français)	•	•	•	•	1
	114091-12	Étiquette à fil d'instructions (en français)	•	•	•	•	1
	LPA5050	Remplacement pour l'assemblage d'écran	•	•	•	•	1-2

SERVICE DE GARANTIE ET DE RÉPARATION

CONSERVEZ CETTE GARANTIE

Modèle _____

Numéro de série _____

Date de l'achat _____

GARANTIES LIMITÉES POUR LES PRODUITS NEUFS ET LES PRODUITS REMIS EN ÉTAT

Nouveaux produits : DESA Heating Products garantit que cet appareil de chauffage et ses pièces sont exempts de défauts de matériaux et de fabrication et ceci pour une durée d'un (1) an à partir de la date du premier achat, lorsque l'appareil de chauffage est utilisé et entretenu en conformité avec les instructions du fabricant. Ces garanties ne protègent que l'acheteur au détail d'origine, lorsqu'une preuve d'achat est fournie.

Appareils de chauffage remis en état : DESA Heating Products garantit que cet appareil de chauffage remis en état en usine et ses pièces sont exempts de défauts de matériaux et de fabrication et ceci pour une durée de trente (30) jours à partir de la date du premier achat, lorsque l'appareil de chauffage est utilisé et entretenu en conformité avec les instructions du fabricant. Ces garanties ne protègent que l'acheteur au détail d'origine, lorsqu'une preuve d'achat est fournie.

Cette garantie n'est valide que pour l'acheteur au détail d'origine. Cette garantie ne couvre que le coût des pièces nécessaires pour restaurer le produit à son état de fonctionnement normal. Vous pouvez obtenir les pièces de rechange d'origine sous garantie auprès des revendeurs autorisés de ce produit ou directement auprès de DESA Heating Products. La garantie est annulée si vous n'utilisez pas des pièces de rechange d'origine. L'appareil de chauffage doit être utilisé en conformité aux codes locaux et aux instructions fournies avec l'appareil.

Cette garantie ne couvre pas les pièces qui ne sont pas dans leur état d'origine suite à une usure normale, les pièces qui sont défectueuses ou endommagées suite à une mauvaise utilisation, un accident, un manque d'entretien adéquat, une modification, une altération, du carburant contaminé, ainsi que les défauts découlant d'une mauvaise installation. Les frais de voyage et de transport, ainsi que les frais incidents associés aux réparations sous garantie ne sont pas remboursables sous cette garantie et incombent au propriétaire.

Dans la pleine mesure de la loi de la localité qui gouverne la vente de ce produit : Cette garantie expresse exclut toute autre garantie expresse de commercialité et d'adéquation à un usage particulier pour une période d'UN AN à compter de la date de l'achat d'origine, et la responsabilité de DESA HEATING PRODUCTS est limitée par la présente au prix d'achat du produit et DESA HEATING PRODUCTS ne sera pas responsable pour tout autre dommage, y compris les dommages indirects, incidents ou induits.

Dans les provinces qui ne permettent pas la restriction de la durée de la garantie implicite ou l'exclusion et la limitation des dommages incidents ou induits, les restrictions mentionnées précédemment peuvent ne pas s'appliquer à votre cas.

Cette garantie octroie à l'acheteur au détail d'origine des droits juridiques spécifiques. Pour obtenir des informations spécifiques sur ces droits, reportez-vous aux lois de votre province.

DESA[™]

INDOOR/OUTDOOR PRODUCTS

2701 Industrial Drive

P.O. Box 90004

Bowling Green, KY 42102-9004, USA

ATTN: Customer Service Department



117240 01
NOT A UPC

117240-01
Rev. C
05/06