

# Installation Instructions

## 30" Built-In Wall Oven

ZET1, ZET2

If you have questions, call 1.800.GE.CARES or visit our website at: [ge.com](http://ge.com)

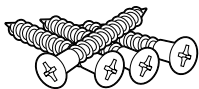
### Before You Begin

Read these instructions carefully and completely.

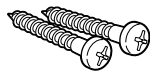
- **IMPORTANT**—Save these instructions for local inspector's use.
- **IMPORTANT**—Observe all governing codes and ordinances.
- **Note to Installer**—Be sure to leave these instructions with the consumer.
- **Note to Consumer**—Keep these instructions for future reference.

- Proper installation is the responsibility of the installer and product failure due to improper installation is **NOT** covered under warranty.
- **NOTE**—This appliance must be properly grounded.
- **ATTENTION INSTALLER**  
All electric wall ovens must be hard wired (direct wired) into an approved junction box. A plug and receptacle is **NOT** permitted on these products.

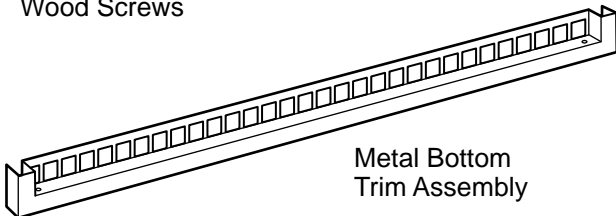
### Parts Included



(4) 3/4" Wood Screws

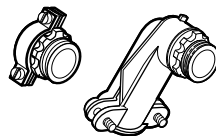


(2) 5/8" Wood Screws

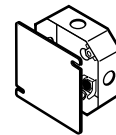


Metal Bottom Trim Assembly

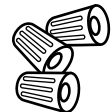
### Materials Needed



Strain Relief Clamp for 1/2" conduit



Junction Box

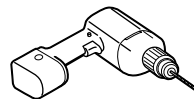


Wire Nuts

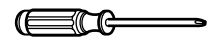


36" of String

### Tools Needed



1/8" Drill Bit and Electric or Hand Drill



Phillips Screwdriver



Adjustable Wrench

# Installation Instructions

## IMPORTANT SAFETY INSTRUCTIONS

### For Your Safety

- Be sure your oven is installed properly by a qualified installer or service technician.
- Be sure the oven is securely installed in a cabinet that is firmly attached to the house structure. Weight on the oven door could cause the oven to tip and result in injury. Never allow anyone to climb, sit, stand or hang on the oven door.
- Make sure the cabinets and wall coverings around the oven can withstand the temperatures (up to 200°F) generated by the oven.



**WARNING:** The electrical power to the oven supply line must be shut off while line connections are being made. Failure to do so could result in serious injury or death.



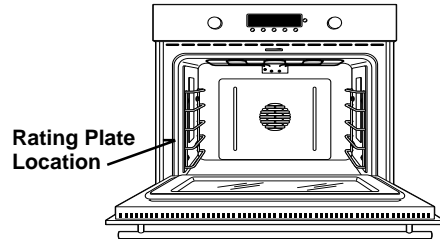
**AVERTISSEMENT :** Vous devez couper l'alimentation électrique du four avant de le brancher. Le défaut de se conformer à cette procédure peut entraîner des blessures sévères et même la mort.

### Electrical Requirements

These Monogram built-in ovens require a separate, properly grounded 3-wire 120/208 or 120/240 volt, 60 Hz power supply, protected by a time delay fuse or circuit breaker.

- Double ovens are rated at 8.6 KW at 240 volt and 7.8 KW at 208 volt.
- Single ovens are rated at 4.3 KW at 240 volt and 3.9 KW at 208 volt.

This appliance must be supplied with the proper voltage and frequency, and connected to an individual, properly grounded branch circuit, protected by a circuit breaker or fuse having amperage as noted on rating plate.



We recommend you have the electrical wiring and hookup of your oven connected by a qualified electrician. After installation, have the electrician show you where your main oven disconnect is located.

Check with your local utilities for electrical codes which apply in your area. Failure to wire your oven according to governing codes could result in a hazardous condition. If there are no local codes, your oven must be wired and fused to meet the requirements of the National Electrical Code, ANSI/NFPA No. 70—Latest Edition. You can get a copy by writing:

National Fire Protection Association  
Batterymarch Park  
Quincy, MA 02269

Effective January 1, 1996, the National Electrical Code requires that new, but not existing, construction utilize a four-conductor connection to an electric oven. When installing an electric oven in new construction, a mobile home, recreational vehicle or an area where local codes prohibit grounding through the neutral conductor, follow the instructions in the section on NEW CONSTRUCTION AND FOUR-CONDUCTOR BRANCH CIRCUIT CONNECTION.

You must use a three-wire, single-phase A.C. 208Y/120 Volt or 240/120 Volt, 60 hertz electrical system. If you connect to aluminum wiring, properly installed connectors approved for use with aluminum wiring must be used.

# Installation Instructions

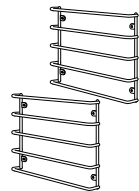
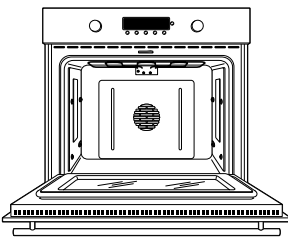
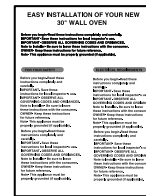
## ✓ Pre-Installation Checklist

ALL INSTALLATION INFORMATION ON THE FOLLOWING PAGES IS TO BE USED FOR **SINGLE** AND **DOUBLE** OVEN INSTALLATION!

- ✓ Remove packaging materials. Check behind hinges and under false bottom. Remove labels on the outside of the door, plastic on trims and panel, all tape around the oven, and any shipping screws securing the oven to the base pad.

- ✓ Open oven door and remove literature pack, broiler pan and grid, oven racks, rack supports and a bag with 9 hex nuts.

- ✓ Read Installation Instructions carefully before you begin.  
Be sure to place all literature, Owner's Manual, Installations, etc. in a safe place for future reference.



Rack Supports with Hex Nuts



Temperature Probe



Oven Racks



Graphite Lubricant



Broiler Pan and Grid



Literature Pack

(Continued on following page)

# Installation Instructions

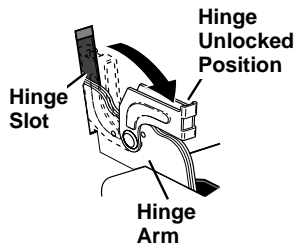
## ✓ Pre-Installation Checklist cont.

### To Remove the Door (if necessary)

Door removal is not a requirement for installation of the product, but is an added convenience. To remove the door:

✓ Open the oven door as far as it will go.

✓ Push both hinge locks down toward the door frame, to the unlocked position. This may require a flat blade screwdriver.

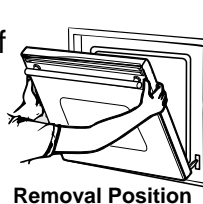


✓ Place the oven on a table or platform even with the cutout opening. (Platform must support 175 lbs. [79 kg] single, 350 lbs. [159 kg] double.)

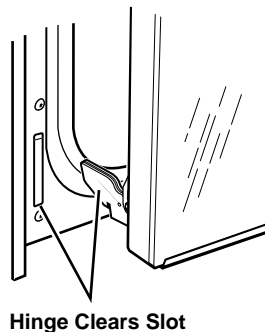
✓ Remove the bottom trim from the top of the oven. It will be installed at the end of the installation process. The trim is wrapped separately and taped to the top of the unit.

**DO NOT LIFT THE DOOR  
BY THE HANDLE!**

✓ Place hands on both sides of the door, and close the oven door to the removal position, which is most of the way.



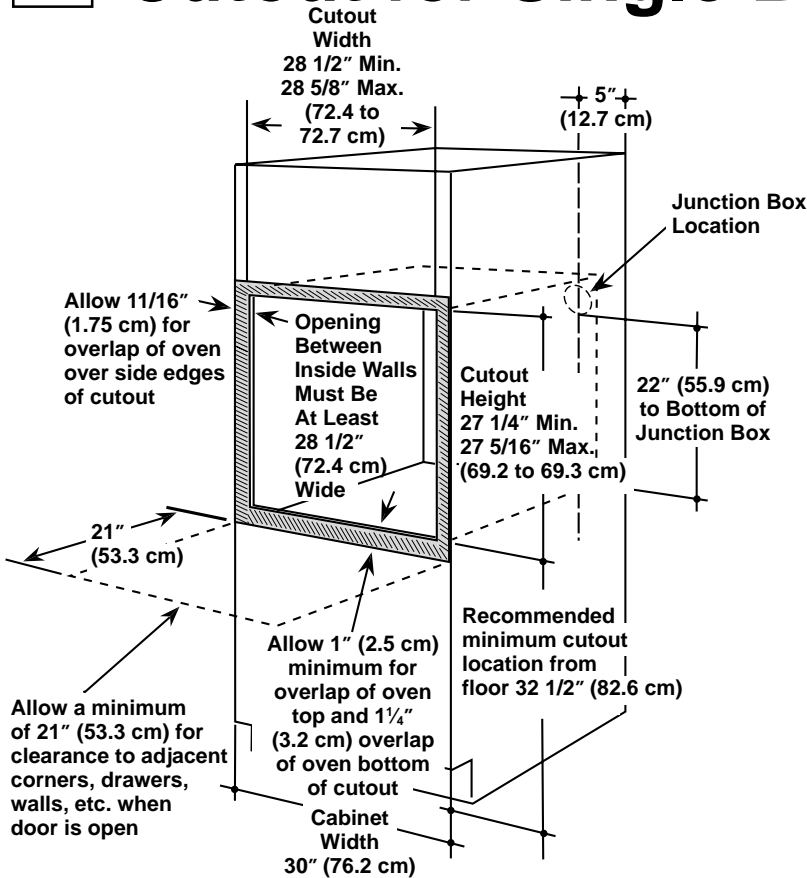
✓ Lift door up and out until the hinge arms clear the slots.



**NOTE: The oven door is very heavy. Be sure you have a firm grip before lifting the oven door off the hinges. Use caution once the door is removed. Do not lay the door on its handle. This could cause dents or scratches.**

# Installation Instructions

## A1 Cutout for Single Built-In Oven



Cabinet Width 30" (76.2 cm)

Recommended Minimum Cutout Location from Floor 32 1/2" (82.6 cm)

Cutout Depth 23 1/2" (59.7 cm) Min.

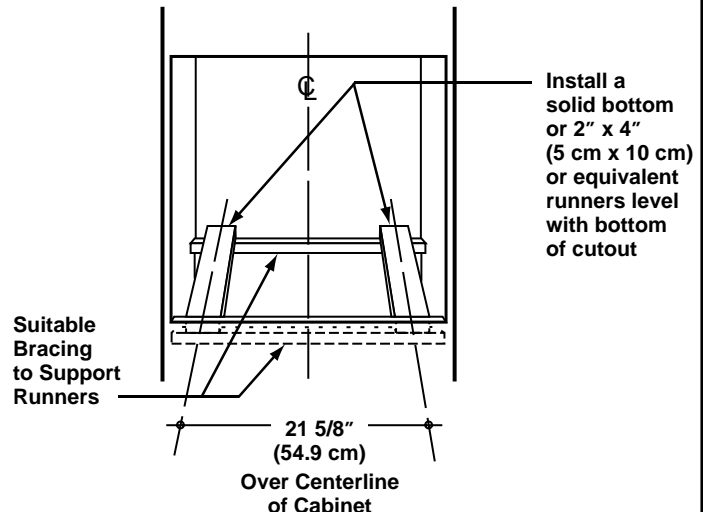
Cutout Width 28 1/2" (72.4 cm) Min. 28 5/8" (72.7 cm) Max.

Cutout Height 27 1/4" (69.2 cm) Min. 27 5/16" (69.2 cm) Max.

**NOTE: If the cabinet does not have a front frame and the sides are less than 3/4" (1.9 cm) thick, shim both sides equally to establish the cutout width.**

If the cabinet does not have a solid bottom, two braces or runners must be installed level with the bottom of the cutout to support the weight of the oven. For single ovens, the runners and braces must support 175 lbs. (79 kg).

**NOTE: If marks, blemishes or the cutout opening are visible above the installed oven, it may be necessary to add wood shims under the runners and front trim until the marks or opening are covered.**

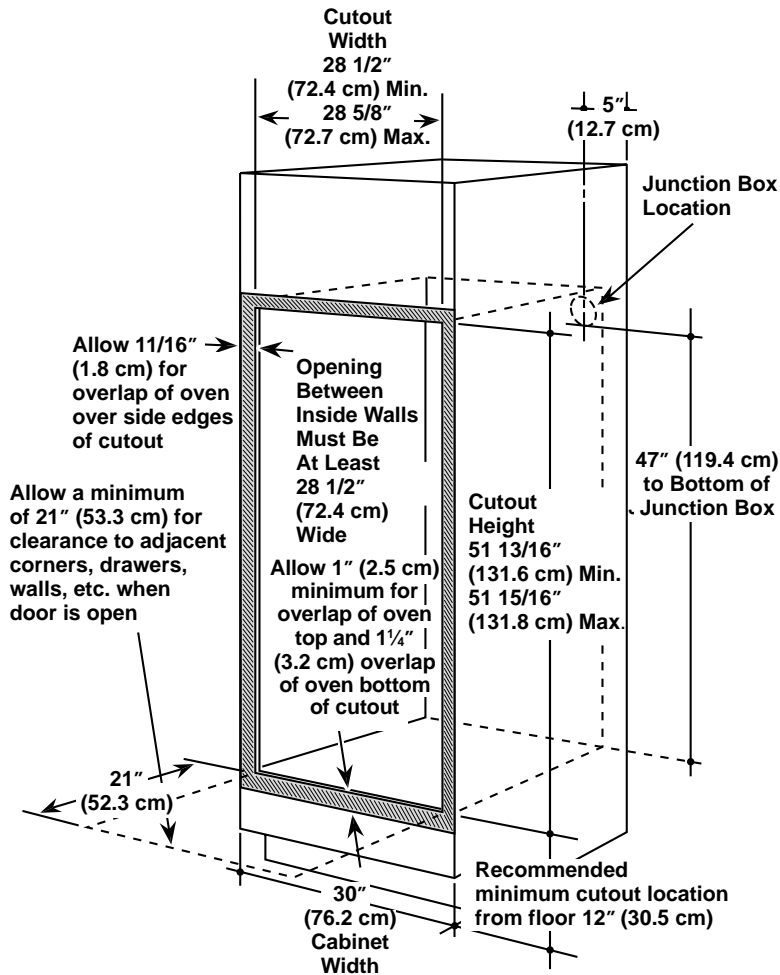


The solid bottom or runners must be level with the bottom of the cutout, or the bottom trim may not install correctly and then interfere with the door opening.

**This oven is not approved for stackable or side by side installation.**

# Installation Instructions

## A2 Cutout for Double Built-In Oven



Cabinet Width 30" (76.2 cm)

Recommended Minimum Cutout Location from Floor 12" (30.5 cm)

Cutout Depth 23 1/2" (59.7 cm) Min.

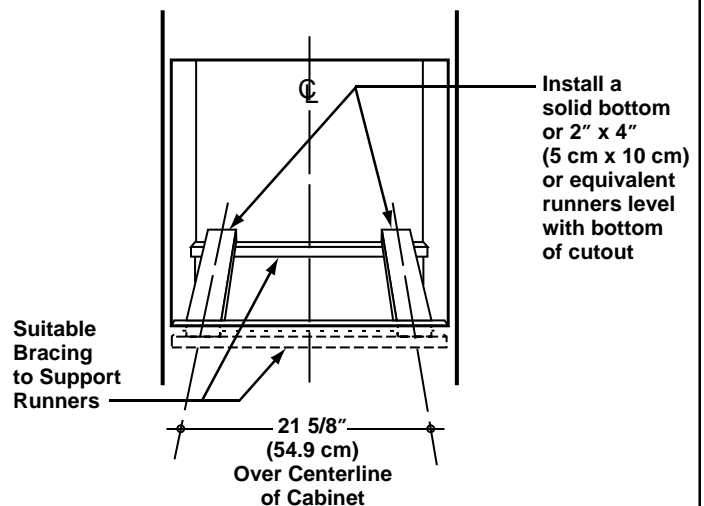
Cutout Width 28 1/2" (72.4 cm) Min.  
28 5/8" (72.7 cm) Max.

Cutout Height 51 13/16" (131.6 cm) Min.  
51 15/16" (131.8 cm) Max.

**NOTE: If the cabinet does not have a front frame and the sides are less than 3/4" (1.9 cm) thick, shim both sides equally to establish the cutout width.**

If the cabinet does not have a solid bottom, two braces or runners must be installed level with the bottom of the cutout to support the weight of the oven. For double ovens, the runners and braces must support 350 lbs. (159 kg).

**NOTE: If marks, blemishes or the cutout opening are visible above the installed oven, it may be necessary to add wood shims under the runners and front trim until the marks or opening are covered.**



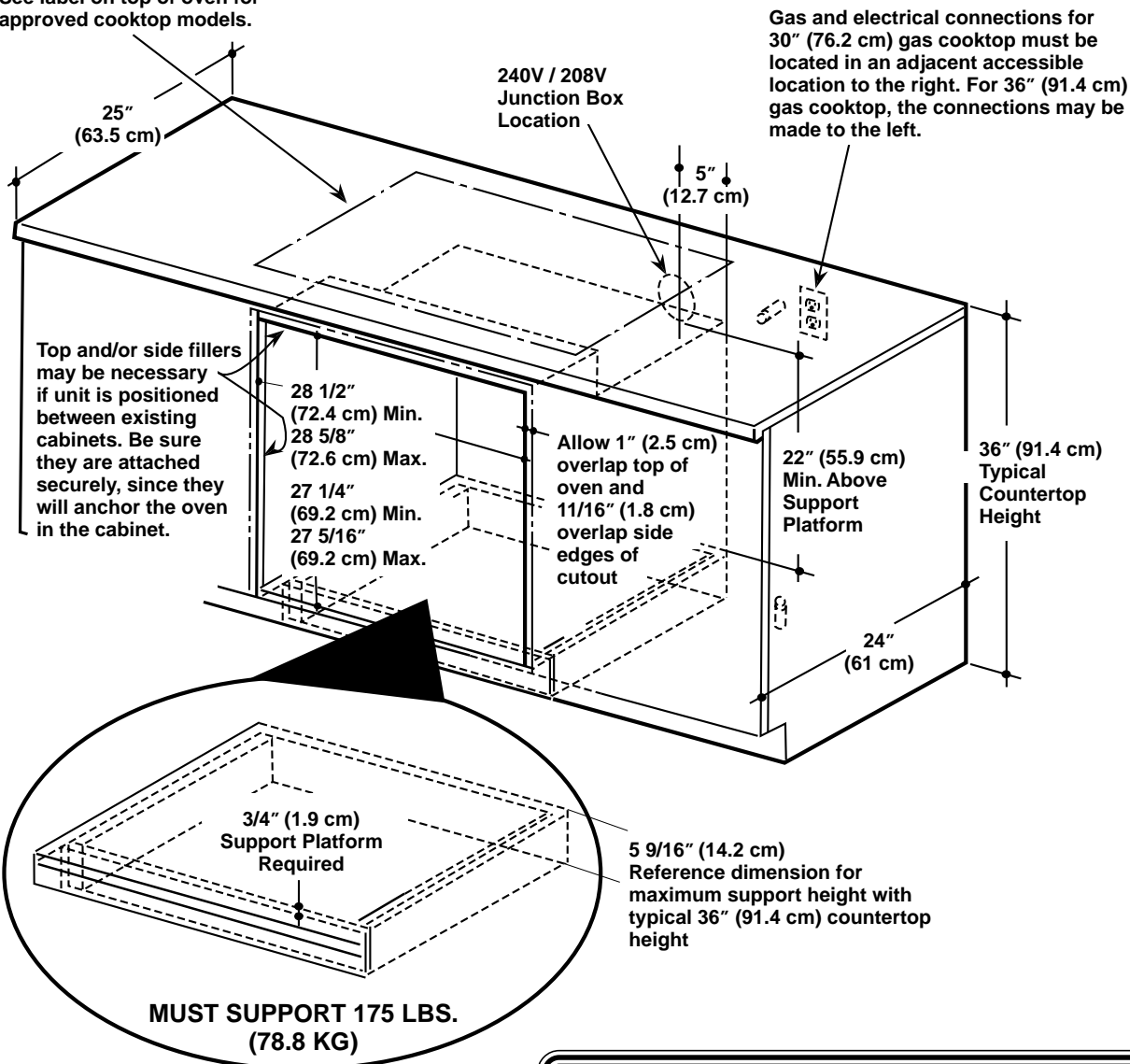
The solid bottom or runners must be level with the bottom of the cutout, or the bottom trim may not install correctly and then interfere with the door opening.

# Installation Instructions

A3

## Cutout for Single Built-In Oven Under Counter

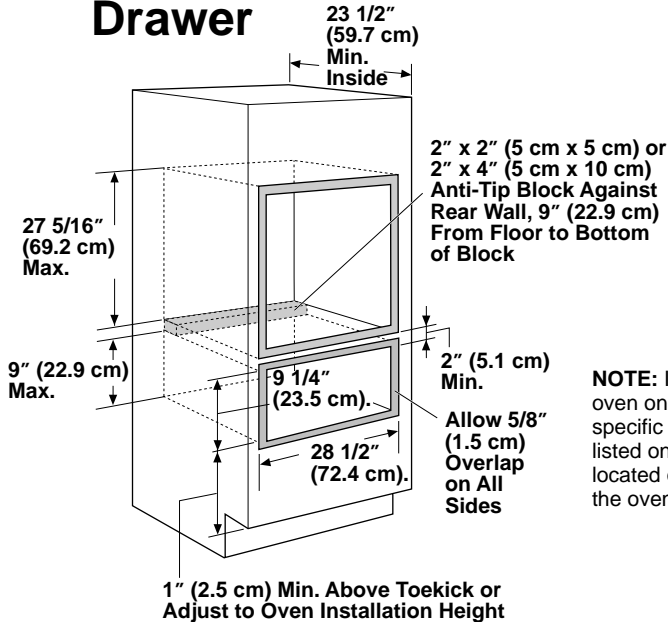
Gas or electric cooktops may be installed over this oven. See cooktop installation instructions for cutout size. See label on top of oven for approved cooktop models.



This oven is not approved to be installed under a solid disk, induction or downdraft modular cooktop. See the label on the top of the oven for approved models.

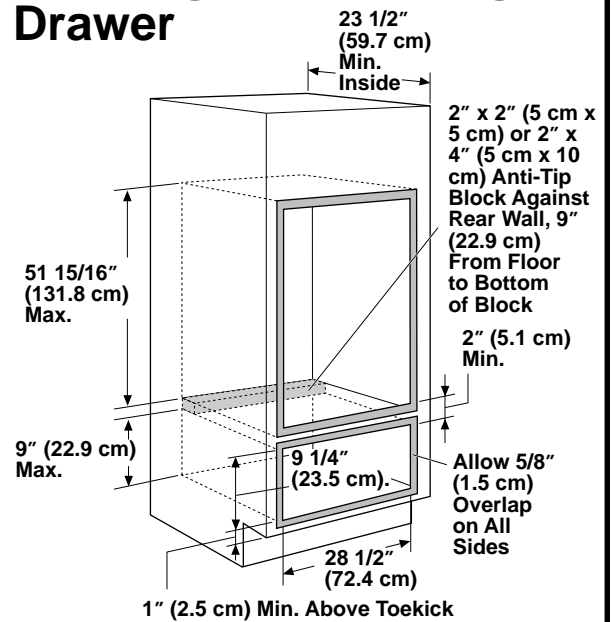
# Cabinetry

## A4 Single Oven Cutout for Installation Over a Monogram Warming Drawer



**NOTE:** Install the oven only with specific models listed on the label located on top of the oven.

## A5 Double Oven Cutout for Installation Over a Monogram Warming Drawer



**NOTE:** Additional clearances between cutouts may be required. Check to be sure the oven supports above the Warming Drawer location do not obstruct the required interior 23 1/2" (59.7 cm) depth and 9 1/4" (23.5 cm) height.

- These Monogram Ovens require 3/4" (1.9 cm) overlap on both sides. Allow 1" (2.5 cm) Min. for top overlap and clearance to upper doors.

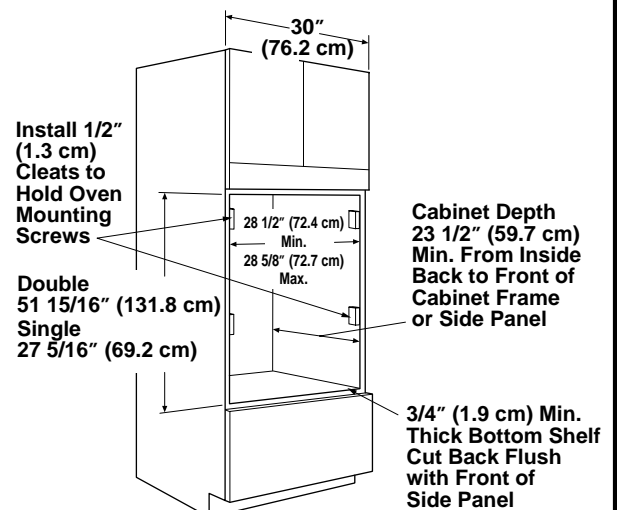
- The Monogram Warming Drawers require 5/8" (1.6 cm) overlap on all sides.
- When installing a Monogram Warming Drawer below a single or double oven, a separate 120V, 60 Hz, properly grounded receptacle must be installed. Refer to installation instructions packed with the Warming Drawer for specific installation requirements.

## A6 Cutout for Frameless Cabinets

### Frameless Cabinets

Whenever possible, order 30" (76.2 cm) frameless cabinet with the cutout sided to fit the oven. If using stock cabinets, additional finished filler pieces may be required to cover the opening.

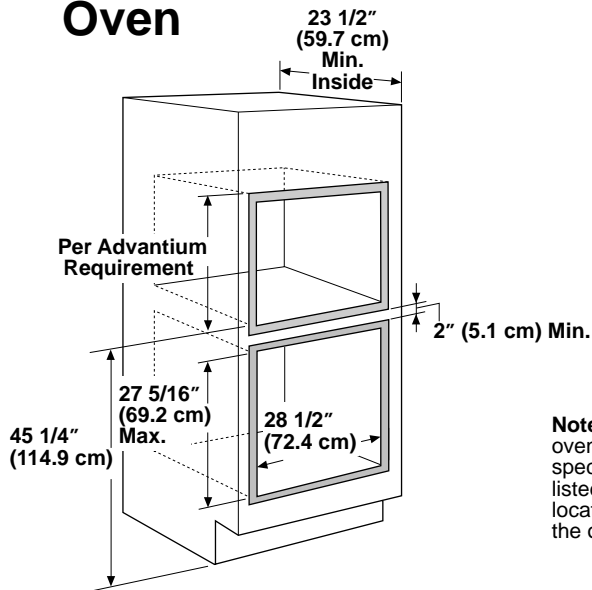
- A stock frameless cabinet cutout width may be up to 28 3/4" (73 cm). If necessary, add 1/2" (1.3 cm) cleats to the sides, flush with the front edge of the side panels to accept mounting screws.





# Cabinetry

## A7 Single Oven Cutout for Installation Below a Monogram Advantium Oven



**Note:** Install the oven only with specific models listed on the label located on top of the oven.

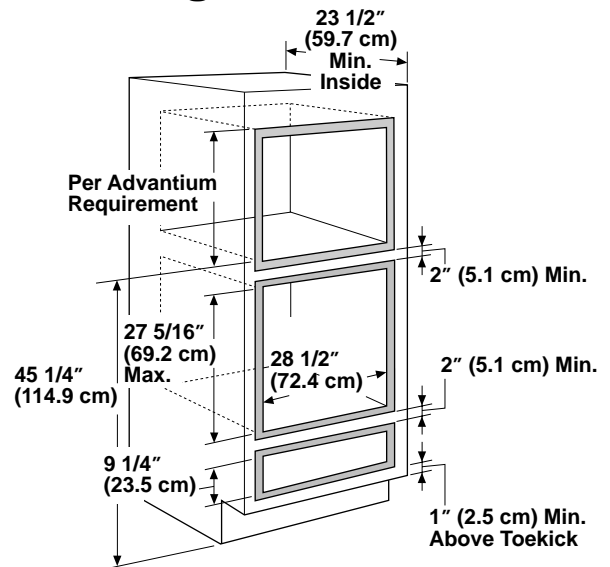
**NOTE:** The middle rail separating the two openings may need to be larger than the 2" (5.1 cm) minimum shown. Always refer to the individual installation instructions packed with each product for specific requirements.

### Combined Advantium and Wall Oven Installation:

When installed in combination with a Monogram single wall oven, use separate electrical junction boxes.

- Refer to the Advantium oven installation instructions for electrical requirements of that product.
- These connections must be made by a qualified electrician. All electrical connections must meet National Electrical Code or prevailing local codes.

## A8 Single Oven Cutout for Installation Between a Monogram Advantium Oven and a Monogram Warming Drawer



**NOTE:** Additional clearances may be required. Check to be sure the oven supports above the Warming Drawer do not obstruct the required interior 23 1/2" (59.7 cm) depth and 9 1/4" (23.5 cm) height. The middle rail separating the openings may need to be larger than the 2" (5.1 cm) minimum shown. Always refer to the individual installation instructions packed with each product for specific requirements.

### Warming Drawer Combined with Advantium and Single Oven:

Install a separate 120V, 60Hz, properly grounded receptacle. See installation Instructions packed with each product for specific requirements.

# Installation Instructions

## B Electrical Connections

### ATTENTION INSTALLER

All electric wall ovens must be hard wired (direct wired) into an approved junction box. A plug and receptacle is NOT permitted on these products.

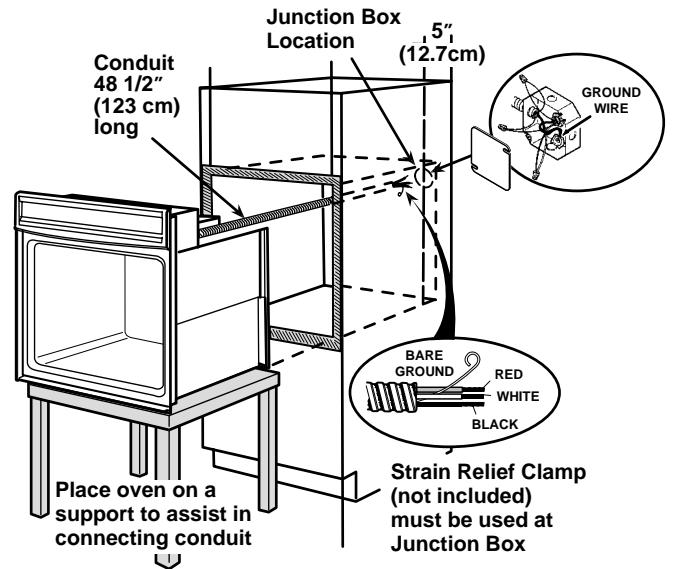
DO NOT shorten the flexible conduit. The conduit strain relief clamp must be securely attached to the junction box and the flexible conduit must be securely attached to the clamp. If the flexible conduit will not fit within the clamp, do not install the oven until a clamp of the proper size is obtained.

**NOTE TO ELECTRICIAN:** The 3 power leads supplied with this appliance are UL recognized for connection to heavier gauge household wiring. The insulation of these 3 leads is rated at temperatures much higher than the temperature rating of household wiring. The current carrying capacity of the conductor is governed by the wire gauge and the temperature rating of the insulation around the wire.

**WARNING:** Improper connection of aluminum house wiring to copper leads can result in an electrical hazard or fire. Use only connectors designed for joining copper to aluminum and follow the manufacturer's recommended procedure closely.

**AVERTISSEMENT :** Le raccordement inadéquat d'un câblage résidentiel en aluminium à des fils de sortie en cuivre peut entraîner un risque électrique ou d'incendie. Utilisez uniquement des connecteurs conçus pour raccorder du cuivre à l'aluminium et respectez minutieusement la procédure recommandée par le fabricant.

- B1** Turn off the circuit breaker or remove fuses to the oven branch circuit.
- B2** With the oven supported on a table or platform in front of the cabinet opening, connect the flexible conduit to the electrical junction box as shown below. Position the conduit in such a manner that it will lie on top of the oven in a natural loop when the oven is installed. You will need to purchase an appropriate strain relief clamp to complete the connection of the conduit to the junction box.



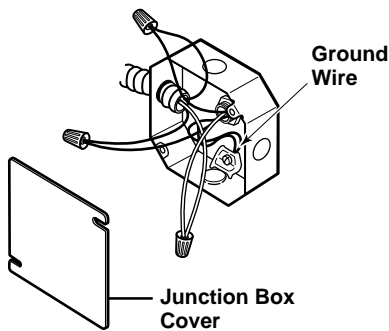
# Installation Instructions

## B Electrical Connections cont.

### B3 New Construction and Four-Conductor Branch Circuit Connection

- When installing in new construction, or
- When installing in a mobile home, or
- When installing in a recreational vehicle, or
- When local codes do not permit grounding through neutral:

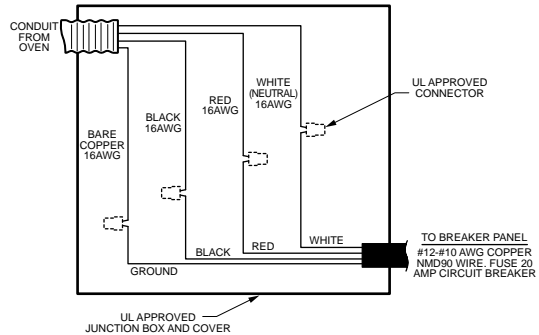
- a. Cut the neutral (white) lead from the crimp. Re-strip the neutral (white) lead to expose the proper length of conductor.



- b. Attach the appliance grounding lead (green or bare copper) in accordance with local codes. If the residence grounding conductor is aluminum, see WARNING on page 10.
- c. Connect the oven neutral (white) lead to the branch circuit neutral (white or gray) in accordance with local codes, using a wire nut.
- d. Connect the oven red lead to the branch circuit red lead and the oven black lead to the branch circuit black lead in accordance with local codes, using wire nuts. If the residence red, black or white leads are aluminum conductors, see WARNING on page 10.
- e. Install Junction Box Cover.

- B4 This oven is supplied with a 48" (123 cm) long flexible conduit consisting of:
  - 3 insulated conductors (copper)
  - 1 bare ground conductor (copper)

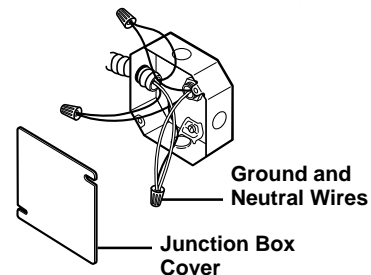
- B5 Attach conductors to residence wiring as shown by wiring diagram.



### B6 Three-Conductor Branch Circuit Connection

When connecting to a three-conductor branch circuit, if local codes permit:

- a. Connect the bare oven ground conductor with the crimped neutral (white) lead to the branch circuit neutral (white or gray) in color), using a wire nut.



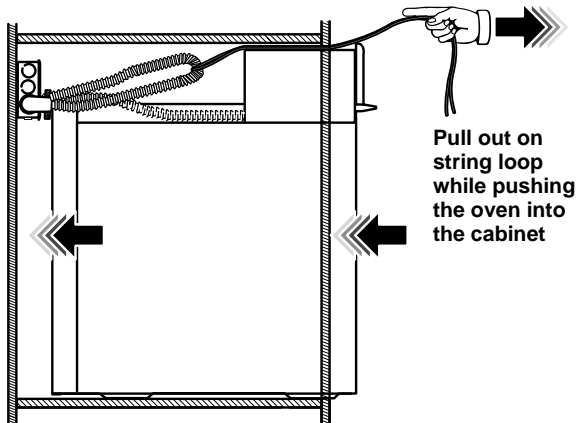
- b. Connect the oven red lead to the branch circuit red lead in accordance with local codes, using a wire nut.
- c. Connect the oven black lead to the branch circuit black lead in accordance with local codes, using a wire nut. If the residence red, black or white leads are aluminum conductors, see WARNING on page 10.
- d. Install Junction Box Cover.

# Installation Instructions

## C Securing the Oven in the Opening

### C1 Sliding the Oven Into the Opening

- a. Loop (**do not tie**) a 36" (91 cm) string around the conduit before the oven is slid into place. This will keep the conduit from falling behind the oven.

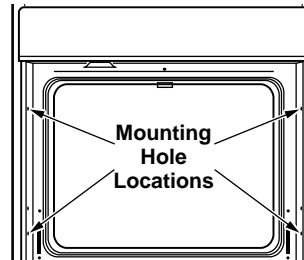


- b. Lift oven into cabinet cutout using the oven opening as a grip. Carefully push against oven front frame. Do not push against outside edges.
- c. As you slide the oven back, pull the string so that the conduit will lie on top of the oven in a natural loop.
- d. When you are sure the conduit is out of the way, slide the oven 3/4 way back into the opening. Remove the string by pulling on one end of the loop.

### C2 Drilling the Pilot Holes and Mounting the Oven

**NOTE:** Before drilling the pilot holes, make sure the oven is pushed as far back into the opening as it will go and centered.

- a. Drill through the mounting holes (top and bottom) of the side trim, for the #8 screws provided.



The screws must be a minimum of 1/4" (0.64 cm) from the front of the cutout.

**WARNING:** Mounting screws must be used. Failure to do so could result in the oven falling out of the cabinet causing serious injury.

**AVERTISSEMENT :** Des vis de montage doivent être utilisées. Le défaut de se conformer à cette directive peut occasionner la chute de four et, par voie de conséquence, des blessures sévères.

- b. Secure the oven to cabinet with screws provided.

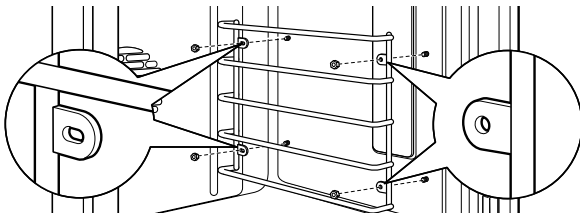
**NOTE:** If the cabinet is particle board, you must use #8 x 3/4" (1.9 cm) particle board screws. These may be purchased at any hardware store.

# Installation Instructions

## C3 Installing the Oven Rack Supports and Oven Racks

### Oven Rack Supports

Place the rack support with the slotted holes over the rear bolts and the round holes over the front bolts. Using an adjustable wrench, lightly secure with four nuts but do not overtighten or the enamel could be chipped. Repeat for the second rack support.

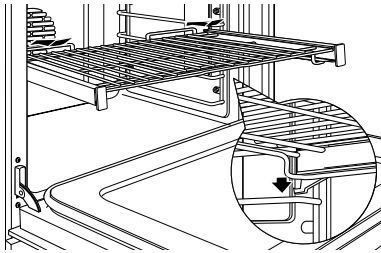


Slotted holes over rear bolts

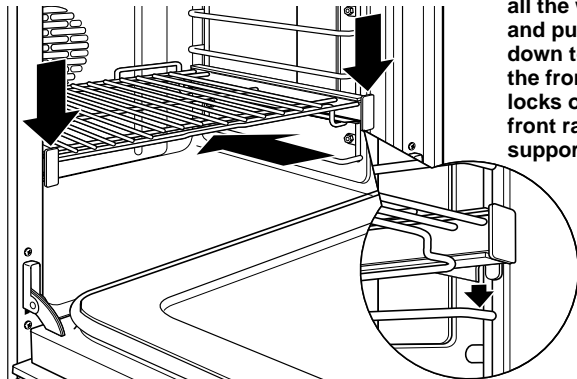
Round holes over front bolts

### Oven Racks

- a. Place the rear rack locks over and onto the rack supports (five rack positions are available, including the top position).



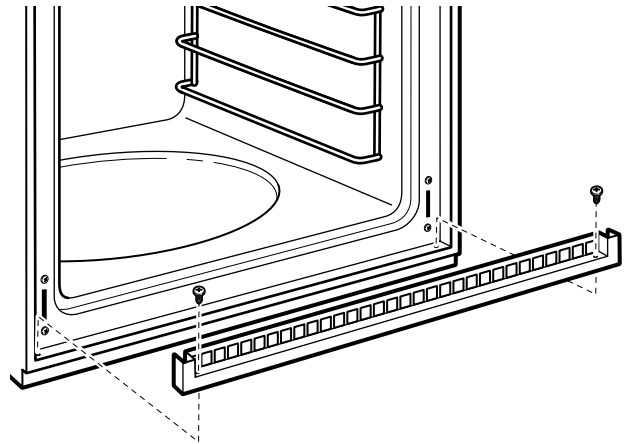
- b. Slide the rack all the way in until the rear rack locks are secure on the rear rack supports, and press the front rack locks onto the front rack supports.



Slide the rack all the way in and push down to lock the front rack locks onto the front rack supports

## C4 Installing the Metal Bottom Trim

- a. Place the bottom trim between the side trim and against the bottom of the cutout.
- b. Using two trim screws provided, secure the bottom trim to the bottom edge of the cabinet.



**IMPORTANT:** If this unit is ever removed from the cabinet or the oven is ever pulled out for service, the trim must be removed first or damage to the trim will occur.

# Installation Instructions

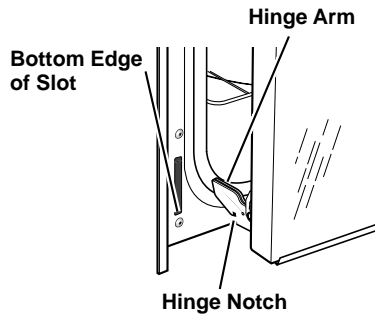
## D Replacing the Oven Door

**NOTE:** The oven door is heavy. You may need help lifting the door high enough to slide it into the hinge slots. Do not lift the door by the handle.

- D1** Lift the oven door by placing one hand on each side. The door is heavy, so you may need help. Do not lift the door by the handle.

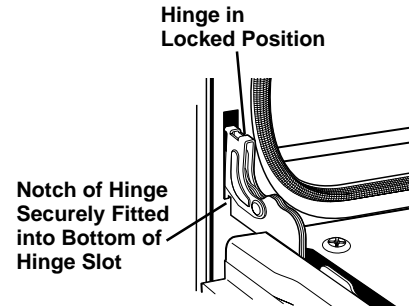


- D2** With the door at the same angle as the removal position, seat the notch of the hinge arm into the bottom edge of the hinge slot. The notch of the hinge arm must be fully seated into the bottom of the slot.



- D3** Open the oven door as far as it will open.

- D4** Push the hinge locks up against the front frame of the oven cavity, to the locked position.



- D5** Close the oven door.

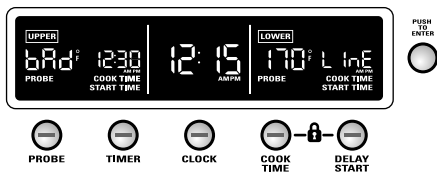
# Installation Instructions

## ✓ Pre-Test Checklist

- ✓ Remove all protective film, if present, and any stickers.
- ✓ Check that the bottom trim is installed properly (see page 13).
- ✓ Check to be sure that all wiring is secure and not pinched or in contact with moving parts.
- ✓ Check to be sure the mounting screws are installed and flush with the side trim (see page 12).
- ✓ **NOTE TO ELECTRICIAN: You must unplug the green wire (near where the long flexible conduit exits the unit) when conducting high-potential testing. Please replug prior to operation.**

## ✓ Operation Checklist

- ✓ Remove all items from the inside of the oven.
  - ✓ Check that conduit is securely connected to the junction box.
  - ✓ Turn on the power to the oven. (Refer to your Owner's Manual.) Verify that the bake and broil units, and all cooking functions operate properly.
  - ✓ Check that the circuit breaker is not tripped nor the house fuse blown.
  - ✓ See your Owner's Manual for troubleshooting list.
  - ✓ If "bAd" "LInE" appears in the display when the power is turned on, the house wiring connections are incorrect.
  - ✓ **NOTE TO ELECTRICIAN: The power leads supplied with this appliance are UL recognized for connections to larger gauge household wiring. The insulation of these leads is rated at temperatures much higher than the temperature rating of household wiring. The current carrying capacity of a conductor is governed by the wire gauge and also the temperature rating of the insulation around the wire.**
- NOTE: ALUMINUM WIRING**
- A. **WARNING: IMPROPER CONNECTION OF ALUMINUM HOUSE WIRING TO THE COPPER LEADS CAN RESULT IN AN ELECTRICAL HAZARD OR FIRE.**
  - B. Splice copper wires to aluminum wiring using special connectors designed and UL approved for joining copper to aluminum, and follow the manufacturer's recommended connector procedure closely.



**NOTE: Wire used, location and enclosure of splices, etc., must conform to good wiring practice and local codes.**

Printed in U.S.A.