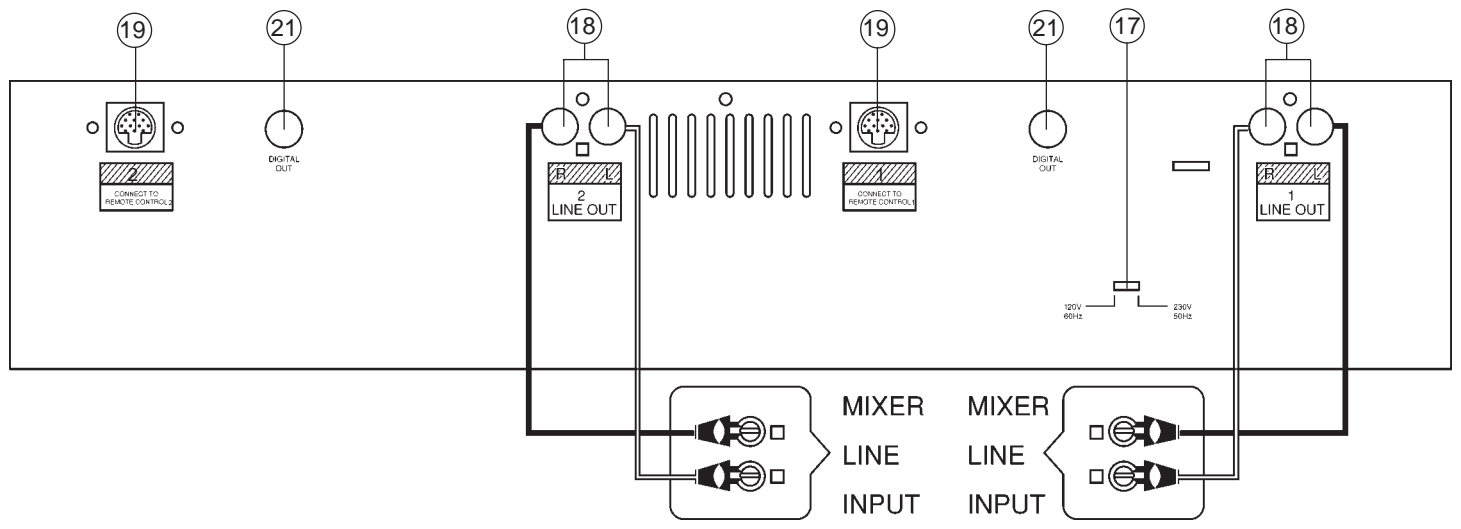
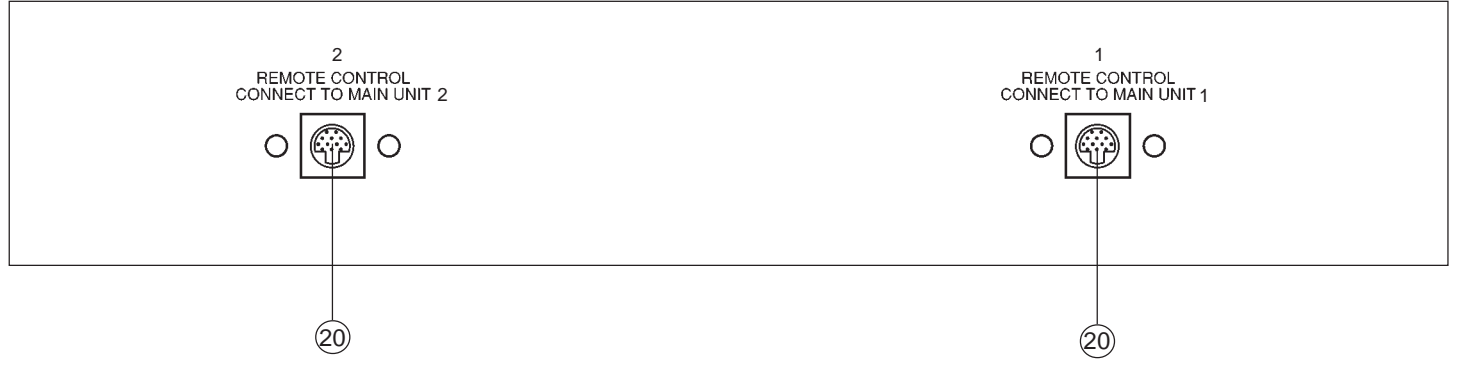
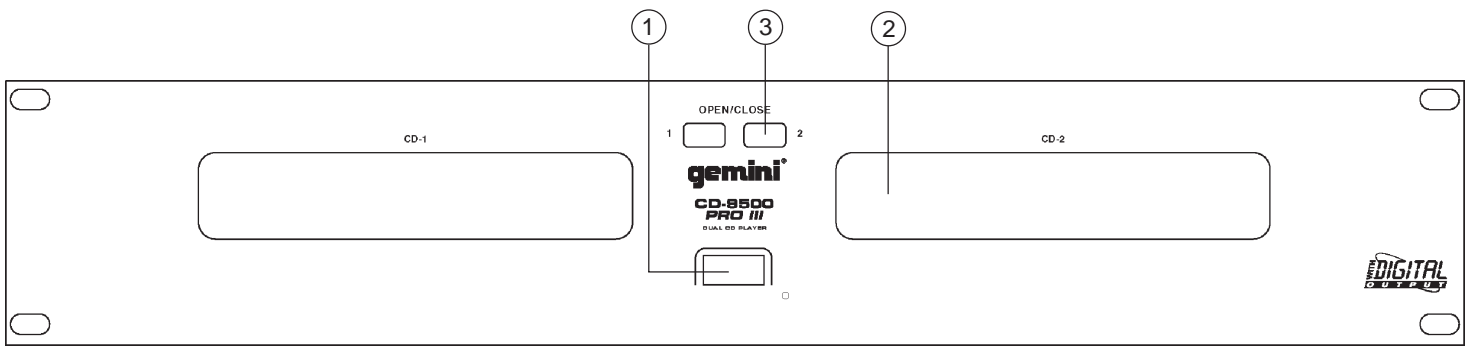
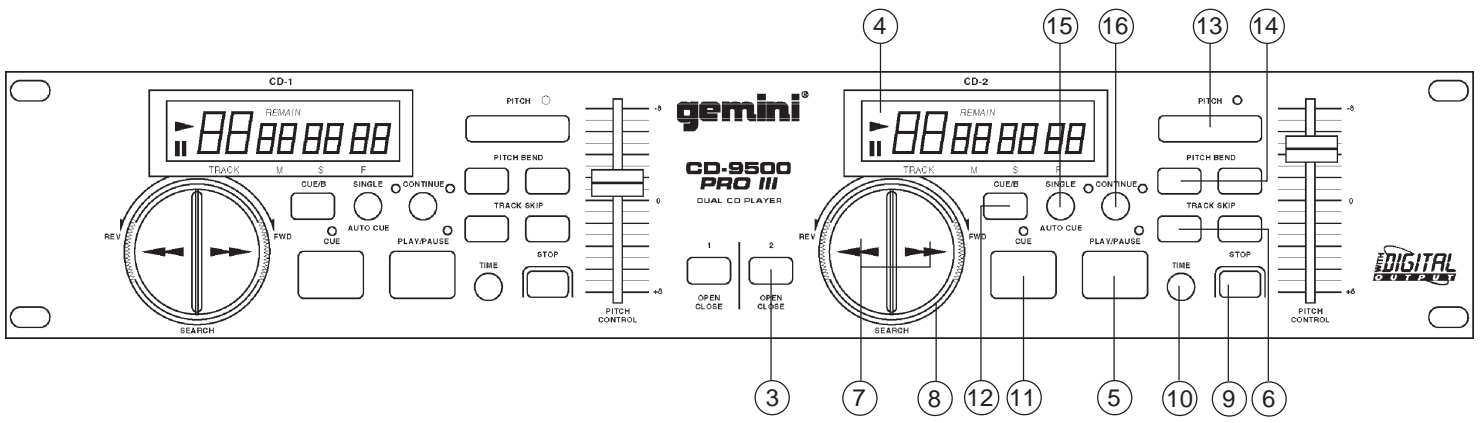




GEMINI  
**CD-9500 PRO III**  
Professional  
Dual  
CD  
Player

OPERATIONS MANUAL



## INTRODUCTION

Congratulations on purchasing a Gemini CD-9500 PRO III Dual CD Player. This state of the art professional CD player is backed by a three year warranty, excluding lasers. One year warranty on CD lasers. Prior to use, we suggest that you carefully read all the instructions.

## CAUTIONS

Do not use this CD Player at temperatures below 41°F/5°C or higher than 95°F/35°C.

Place the unit in a clean and dry location.

Do not place the unit in an unstable location.

When disconnecting the power cord from an AC outlet, always grasp it by the plug. Never pull the power cord.

To prevent electric shock, do not remove the cover or the bottom screws. There are no user serviceable parts inside. Please refer servicing to a qualified technician.

Do not use chemical solvents to clean the unit.

Keep the laser pickup clean by keeping the drawer closed.

Keep this manual in a safe place for future reference.

## SAFETY CERTIFICATIONS

Laser Diode Properties

Material: Ga - Al - As

Wavelength: 755 - 815 nm (25° C)

Laser Output: Continuous Wave, max. 0.5mW

## IMPORTANT NOTE

Since the CD-9500 PRO III is a dual CD player, most of the functions and controls are duplicated on both sides of the CD player. To eliminate confusion and to make the drawings easier to understand, we will only number the right side functions and controls. The only controls that are not duplicated are the **POWER SWITCH (1)** and the **VOLTAGE SELECTOR SLIDE SWITCH (17)**.

## LINE VOLTAGE SELECTION

Model CD-9500 PRO III is a dual voltage unit. It will operate at 115 or 230 volts. The unit is preset at the factory to 115 volts. To set the proper voltage follow these steps:

1. Place the head of a screw driver in the center of the **VOLTAGE SELECTOR SLIDE SWITCH (17)** found on the rear panel.
2. Slide the switch left for 115 volts or push the switch right for 230 volts.
3. Do not force or twist the switch. Excessive force may cause damage. If the switch does not move smoothly, contact a qualified technician.

## CONNECTIONS

1. Using the included cables, plug one end into the **REMOTE JACK (20)** on side 2 and the other end into the **PLAYER JACK (19)** also on side 2. Do the same for side 1.
2. Plug one end of a set of RCA connectors into each of the **LINE OUTPUT JACKS (18)**.
3. Plug the other end of the RCA connectors into any available line level input jacks on your mixer. If you are playing the CD-9500 PRO III through a receiver, you can plug the RCA connectors into the CD or AUX input jacks on your receiver. If there are no CD or AUX inputs, use any line level (not phono) inputs.

## FUNCTION DESCRIPTIONS

**POWER SWITCH:** After making sure that the **VOLTAGE SELECTOR SLIDE SWITCH (17)**, found on the rear panel, is properly set, plug the unit in and press the **POWER SWITCH (1)**. The unit will turn on.

Pushing the **POWER SWITCH (1)** a second time will turn the unit off.

**DISC TRAY:** The **DISC TRAY (2)** is where the CD is held during loading, unloading and playback. Pressing the disc tray **OPEN/CLOSE BUTTON (3)**, will open or close the tray. The **DISC TRAY (2)** holds both 12 cm and 8 cm CDs. Please note, if the CD-9500 PRO III is in the play mode, the tray will not open.

**OPEN/CLOSE BUTTON:** Press the **OPEN/CLOSE BUTTON (3)** to load or remove a CD from the **DISC TRAY (2)**.

**DISPLAY:** The **DISPLAY (4)** shows the track number, play mode, pause mode, and 3 different time displays. These time displays are time elapsed on the track, time remaining on the disc and time remaining on the track.

**PLAY/PAUSE:** Each press of the **PLAY/PAUSE BUTTON (5)** causes the operation to change from play to pause or from pause back to play. See the CUE INSTRUCTIONS section for more information.

**TRACK SKIP:** The **TRACK SKIP BUTTONS (6)** let you select the track to play.

**SEARCH BUTTONS:** The **SEARCH BUTTONS (7)** are used to accurately position the disc at the point where you wish the track to start playing. This position on the track is memorized as the cue point. Each push of the **SEARCH BUTTONS (7)** will put the unit into pause mode and move the memorized cue point 1 frame (1/75th second). See the CUE INSTRUCTIONS section for more information.

**SEARCH DIAL:** Use the **SEARCH DIAL (8)** to select the scanning direction and speed. Turning the dial in the clockwise direction will scan forward and counter clockwise will scan in reverse. The scanning speed increases as the dial is turned further. The **SEARCH DIAL (8)** will not change the cue point and will not bring the unit to the pause mode.

**STOP:** The **STOP BUTTON (9)** will end the playing of the CD.

**TIME:** The **TIME BUTTON (10)** switches the time display between the three available choices listed under **DISPLAY**.

**CUE:** With the unit in the play mode (play/pause LED glows green), and after using the **SEARCH BUTTONS (7)** to memorize the cue point, pressing the **CUE BUTTON (11)** will cause the CD player to enter the pause mode (play/pause LED blinks green) at the memorized cue point (the cue LED glows yellow). If the cue point was not memorized, the unit will return to the beginning of the track. Holding down the cue button changes the cue function to preview (allowing you to hear the music play at whatever tempo you adjusted to by holding the cue button down). Releasing the cue button returns you to the preset cue point.

**CUE/B REPEAT:** After the cue point is memorized, pressing the **CUE/B BUTTON (12)** in the play mode, (the cue LED BLINKS yellow), repeats the section between the cue point and the point where the **CUE/B BUTTON (12)** was pressed (there will be a slight delay between the end and the restart of play).

**SINGLE:** Pressing the **SINGLE (15)** button will activate single mode and the **AUTO CUE FUNCTION** which causes the unit to play one track at a time and to stop at the beginning of music of the following track. This allows you to start play immediately from the start of music without any blank space (which exists at the beginning of every track).

**CONTINUE:** The **CONTINUE (16)** function will cause the unit to play continuously (after the last track, the unit will return to the first track of the disc and continue to play).

**PITCH:** Pushing the **PITCH BUTTON (13)** activates the pitch section of the unit (pitch LED glows red). The pitch of the CD will change according to the position of the **PITCH CONTROL (13)**. Pushing the **PITCH BEND BUTTONS (14)** will temporarily raise or lower the pitch without changing the slide setting. Releasing the buttons will return the pitch to the slide setting. Maximum pitch deviation is +/- 8 %.

**DIGITAL OUTPUT JACK:** Connecting any type of **DAT, MD, HARD DRIVE**, or other such items which accept digital signals to the **BNC OUTPUT CONNECTOR (21)** on the rear panel of the transports allows you to record a digital signal from CD.

## OPERATING INSTRUCTIONS

1. Make sure that the **VOLTAGE SELECTOR SLIDE SWITCH (15)**, found on the rear panel, is set for the proper voltage. Plug the unit in and press the **POWER SWITCH (1)**. The unit will turn on. Pushing the **POWER SWITCH (1)** a second time will turn the unit off.
2. Press the **OPEN/CLOSE BUTTON (3)**, place a CD in the **DISC TRAY (2)** and press the **OPEN/CLOSE BUTTON (3)** again. The tray will close into the unit. The display will initially show the number of tracks and the total time of the CD and the unit will be in the pause mode (play/pause LED blinks green). When the display shows track number 1 and time of 00:00, the unit is ready to use.
3. Push the **TRACK SKIP BUTTONS (6)** to select the track you want to play.
4. Press the **PLAY/PAUSE BUTTON (5)** and the unit will instantly play.

## CUE INSTRUCTIONS

To start the play at a point other than the beginning of a track, follow these instructions.

1. To memorize the approximate spot at which you want play to start, select the proper track, and then push the **PLAY/PAUSE BUTTON (5)** so the unit goes into the play mode (play/pause LED will glow green). Listen to the CD and when the CD gets to the approximate spot, push either of the **SEARCH BUTTONS (7)**. The unit will go into the pause mode (play/pause LED will blink green) and the location indicated on the display will be the memorized cue point.
2. To fine tune the memorized cue point, push the **PLAY/PAUSE BUTTON (5)** so the unit goes into the play mode (play/pause LED glows green) and listen carefully to the starting point. Push the **CUE BUTTON (11)** and the unit will enter the pause mode (play/pause LED blinks green) and the CD will reposition at the previously memorized cue point. If you decide that this point is okay, leave the unit alone until you are ready to play it. At that time push the **PLAY/PAUSE BUTTON (5)**. The unit will instantly play from the spot selected. If the selected spot is not where you want it, with the unit in the play mode, simply push the **CUE BUTTON (11)**. The unit will go back to the previously selected spot, and enter the pause mode. By pressing either the left or right **SEARCH BUTTONS (7)** you can hear and move the cue point forward or backward. After you have located the spot, play the CD and listen to the start. If it's still no good, push the **CUE BUTTON (11)** and try again. The memorized cue point will always be the last location after using the **SEARCH BUTTONS (7)**.

## TROUBLE SHOOTING

- If the disk will not play, check to see if the disc was loaded correctly (label side up). Also check the disc for excessive dirt, scratches, etc.
- If the disc turns but there is no sound, check the cable connections. If they are okay, check your amplifier or receiver.
- If the CD skips, check the CD for dirt or scratches. Do not assume that the CD player is defective. Many CDs are recorded out of spec

and will skip on most or all CD players. Before sending the unit in for repair, try playing a CD that you are sure plays properly.

## SPECIFICATIONS

### GENERAL:

Type..... Dual Mechanism Compact Disc Player w/wired remote  
Disc Type..... Standard Compact discs (12 cm & 8 cm)  
Time Display.....Track Elapsed, Track Remain, or Total remain  
Variable Pitch.....+/- 8% Slider with Resume Switch  
Pitch Bend.....+/- 8% Maximum  
Instant Start.....Within 0.03 seconds  
Track Selection.....1 to 99 Tracks  
Installation.....19" Rack Mountable Player Unit, 2 U  
19" Rack Mountable Control Unit, 2 U

### AUDIO SECTION:

Quantization.....1 Bit Linear/Channel, 3 Beam Laser  
Oversampling Rate.....8 Times  
Sampling Frequency.....44.1 kHz  
Frequency Response.....20 Hz to 20 kHz  
Digital Output.....IEC958  
Total Harmonic Distortion.....Less Than 0.05%  
Signal to Noise Ratio.....104 dB  
Dynamic Range.....98 dB  
Channel Separation.....90 dB (1 KHz)  
Output Level.....1.9 Volts R.M.S.  
Power Supply.....AC 120/230V, 50/60 Hz  
Dimensions.....Player Unit 19" (W) x 3 1/2" (H) x 10" (D)  
Control Unit 19" (W) x 3 1/2" (H) x 3 5/8" (D)  
Weight.....Player Unit 11.7 lbs (5.3 kg)  
Control Unit 3.8 lbs (1.7 kg)

Parts of the design of this product may be protected by worldwide patents. Information in this manual is subject to change without notice and does not represent a commitment on the part of the vendor. Gemini Sound Products Corp. shall not be liable for any loss or damage whatsoever arising from the use of information or any error contained in this manual.

No part of this manual may be reproduced, stored in a retrieval system or transmitted, in any form or by any means, electronic, electrical, mechanical, optical, chemical, including photocopying and recording, for any purpose without the express written permission of Gemini Sound Products Corp..

It is recommended that all maintenance and service on the product should be carried out by Gemini Sound Products Corp. or it's authorized agents. Gemini Sound Products Corp. cannot accept any liability whatsoever for any loss or damage caused by service, maintenance or repair by unauthorized personnel.