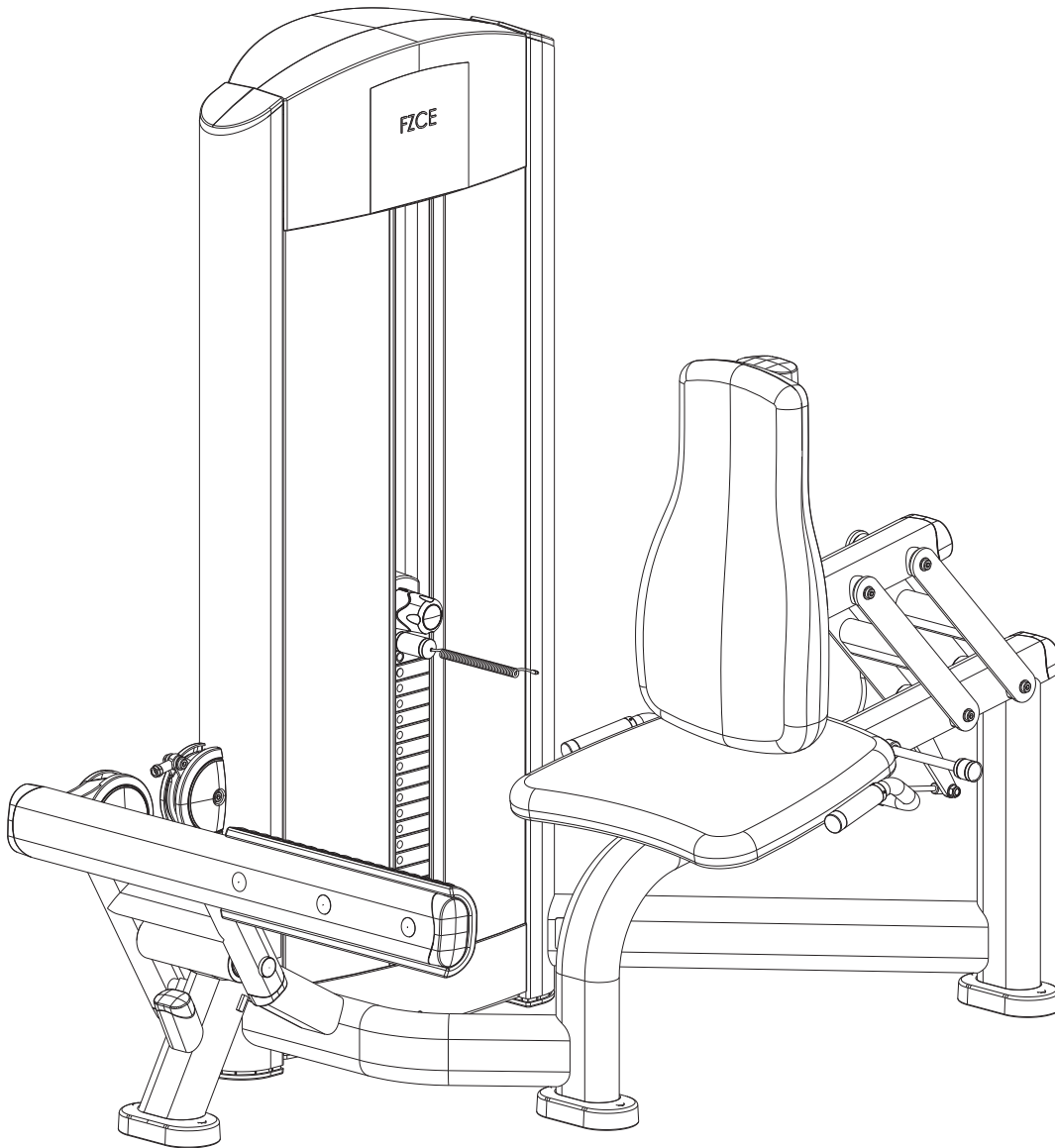




SIGNATURE SERIES
FZCE CALF EXTENSION

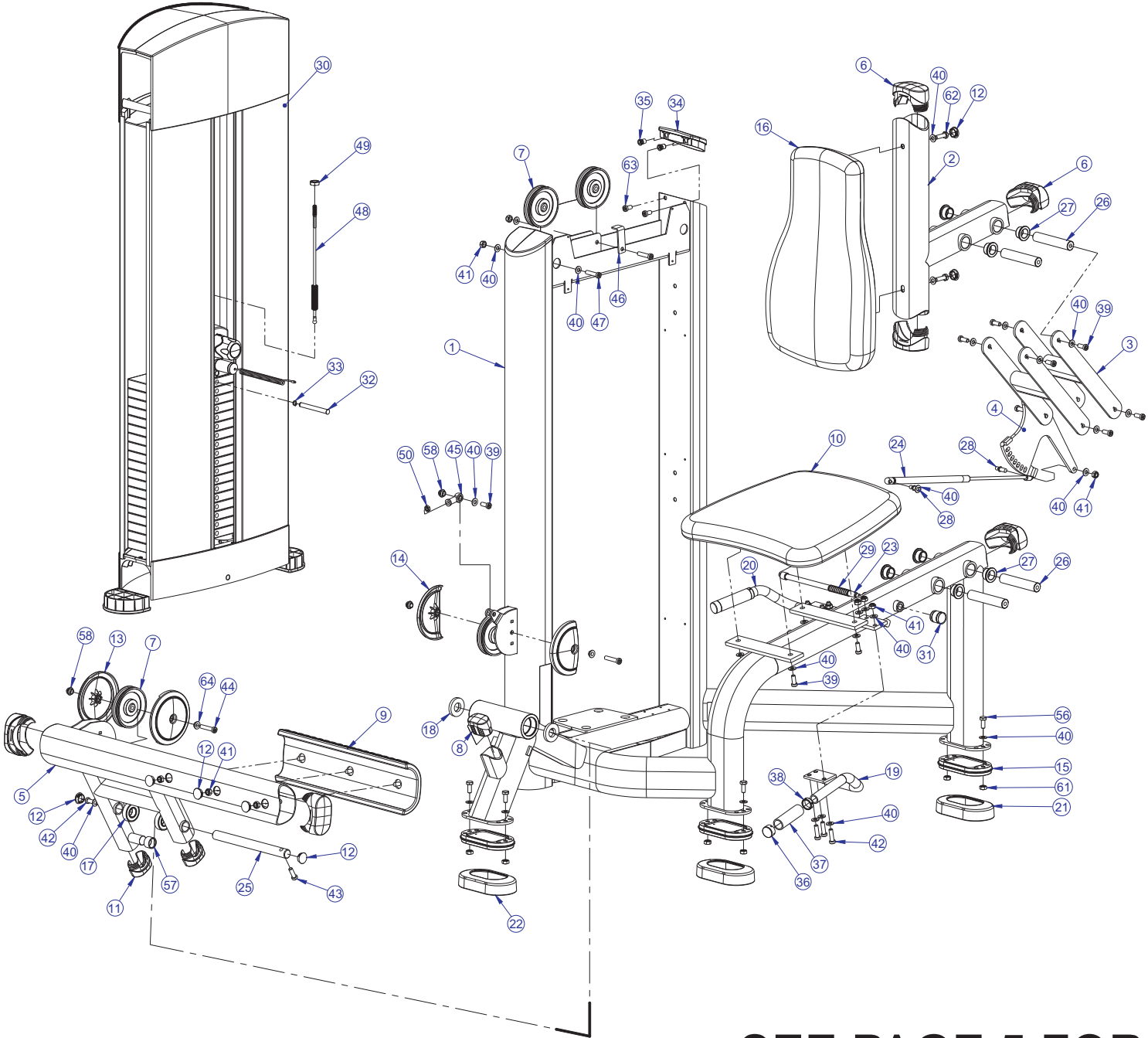


Customer Support Services
PARTS MANUAL

FZCE CALF EXTENSION CONTENTS

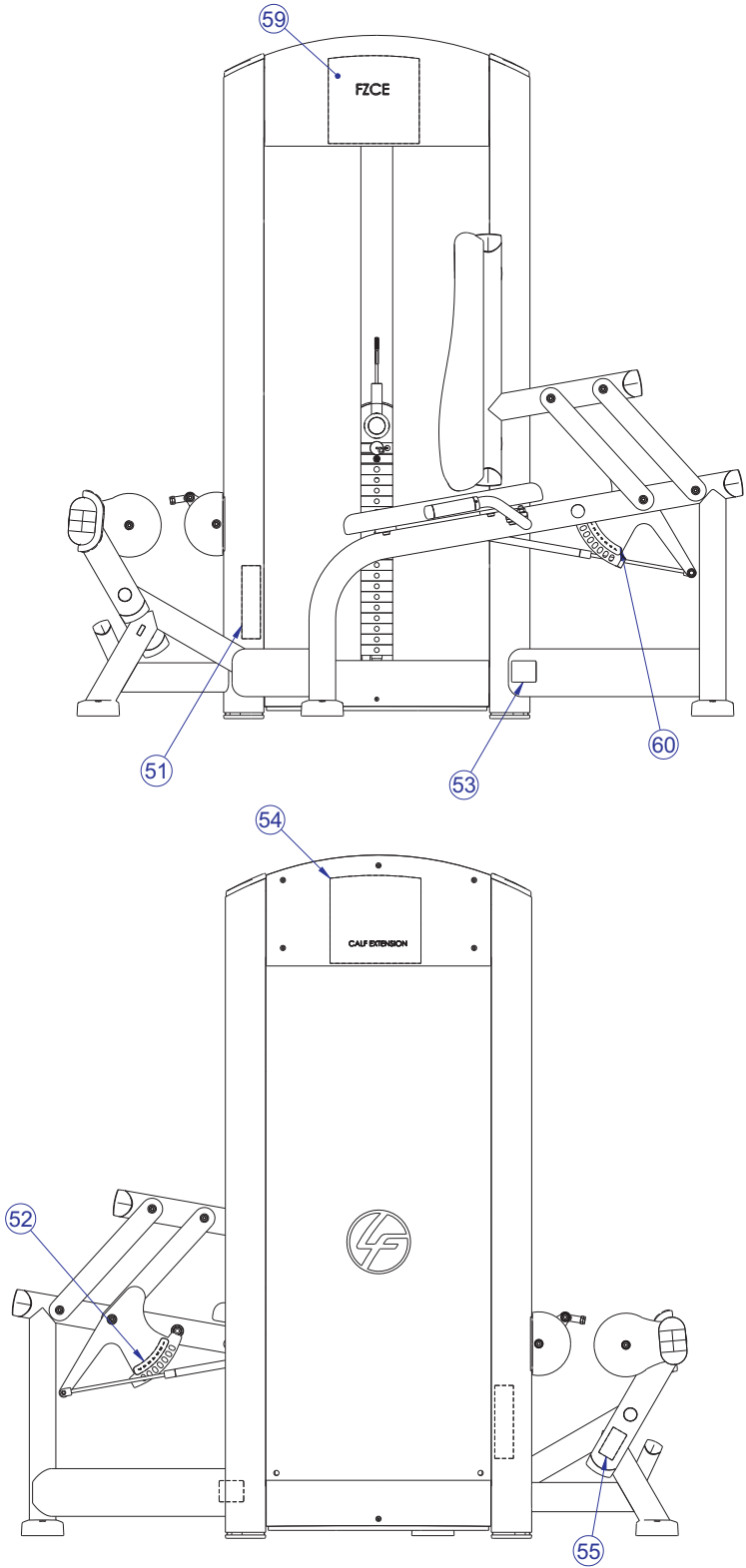
	PAGE
COMPONENT ASSEMBLY	3
COMPONENT ASSEMBLY II	4
COMPONENT ASSEMBLY LEGEND	5
MID-19 TOWER ASSEMBLY	6
PLASTIC TOWER ASSEMBLY	7
MID-19 WEIGHT STACK ASSEMBLY	8
5 LB. INCREMENT WEIGHT ASSEMBLY	9
10 LB. INCREMENT WEIGHT ASSEMBLY	10
15 LB. INCREMENT WEIGHT ASSEMBLY	11
HEAD PLATE ASSEMBLY	12
HEAD PLATE ASSEMBLY LEGEND	13
IMAGE	14

FZCE CALF EXTENSION COMPONENT ASSEMBLY



SEE PAGE 5 FOR LEGEND

FZCE CALF EXTENSION COMPONENT ASSEMBLY II

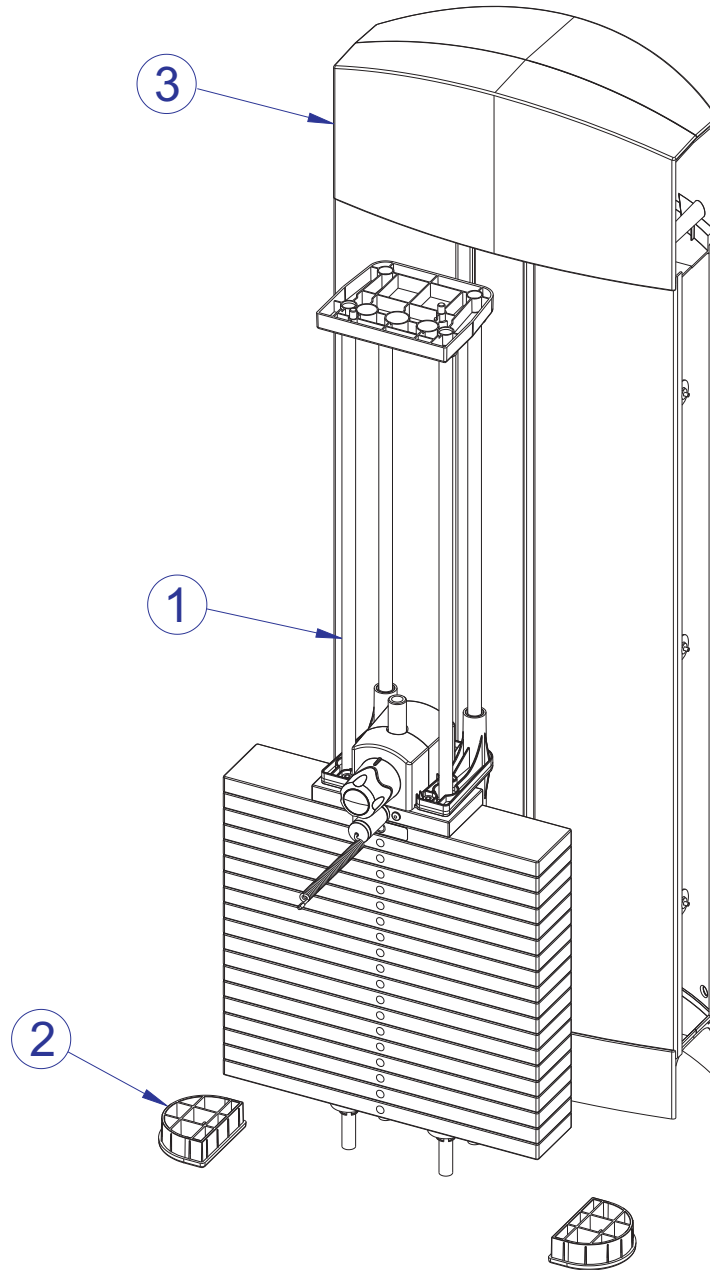


SEE PAGE 5 FOR LEGEND

FZCE CALF EXTENSION COMPONENT ASSEMBLY LEGEND

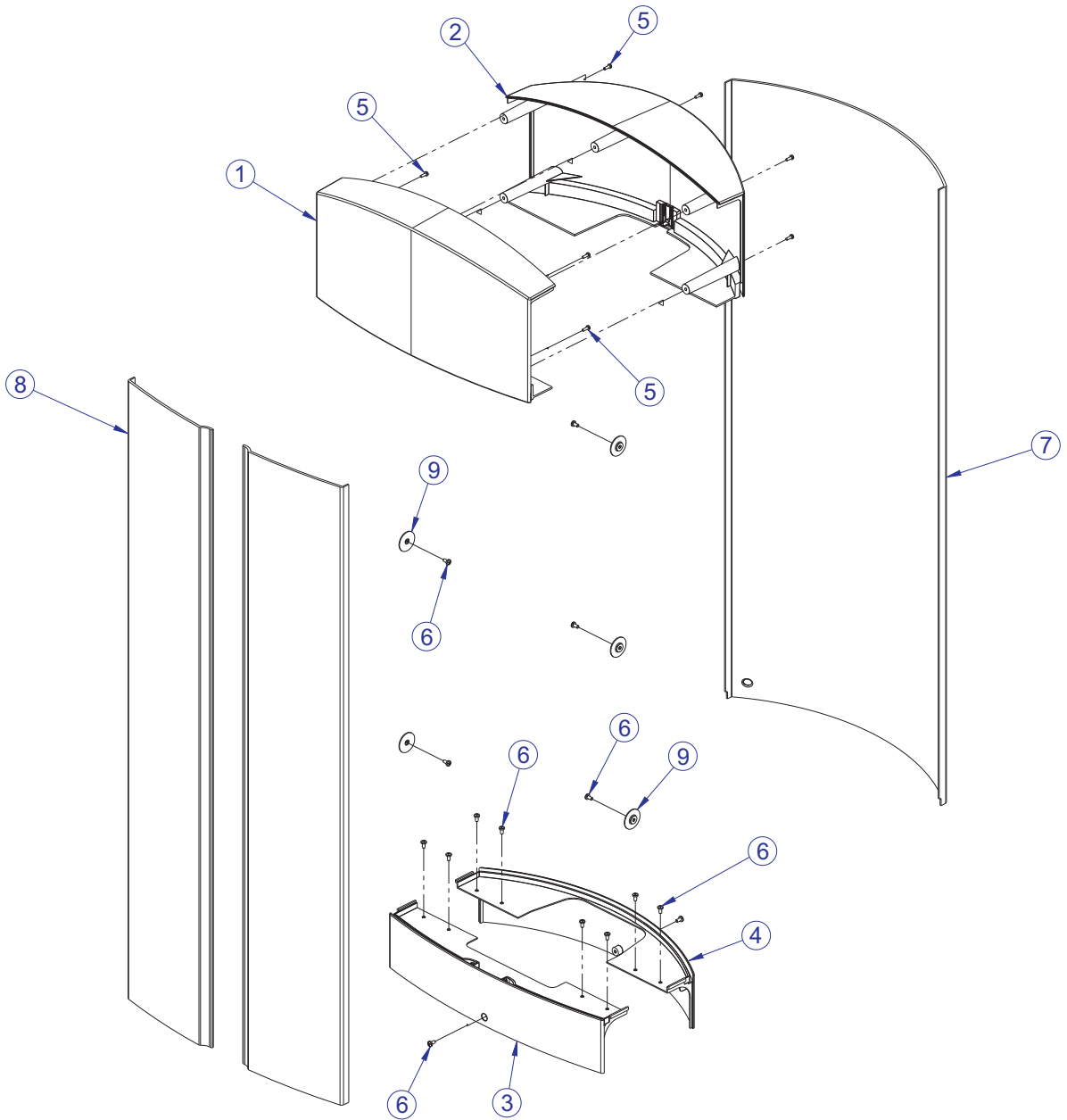
ITEM NO.	QTY.	PART NO.	DESCRIPTION	ITEM NO.	QTY.	PART NO.	DESCRIPTION
1	1	7484101	WLDMT,FZCE, FRAME	33	1	3243901	RING, BRE M11, ST, PP
2	1	7410901	WLDMT, FZ, BACK PAD SPRT	34	2	7326201	CAP, D-TUBE - TOP
3	1	7411001	WLDMT, FZ, 4-BAR	35	4	3238601	M10X1.5 THREADED INSERT (HEX)
4	1	7778701	WLDMT, FZCE, 4-BAR INDEX	36	2	7662900	CAP, GRIP
5	1	7484801	WLDMT,FZCE, FOOT PIVOT	37	2	3235801	GRIP, 1.25" OD X 4" FZLE, FZCE
6	6	7333901	CAP, LARGE FLOV- END	38	2	7662801	RING, GRIP 1.25 OD
7	4	3237801	PULLEY, 4.5" OD	39	13	3236202	SCREW, M10 X1.5 25MM
8	1	7317901	STOP, BUMPER	40	40	3236601	WASHER, 3/8 SAE SS
9	1	7523701	FOOTPLATE, OVERMOLDED	41	12	3236801	NUT, M10 HEX NYLOCK SS
10	1	74015XX	PAD, SEAT LE/SLC	42	7	3236204	SCREW, M10 X1.5 35MM
11	2	7333801	CAP, SMALL FLOV- END	43	1	3236203	SCREW, M10 X1.5 30MM
12	7	3237403	PLUG, 1" HOLE	44	2	3236207	SCREW, M10 X1.5 50MM
13	2	8104501	COVER, PULLEY-BOLTED NOTCHED	45	1	3237901	ROD END, METRIC FEMALE
14	2	8094101	COVER, PULLEY-BOLTED PARTIAL	46	1	6757701	CLIP, CABLE 2-7/8 X 1 X 1
15	3	7334001	FOOT, 2.50 X 4.49 FLOV	47	2	3236206	SCREW, M10 X1.5 45MM
16	1	74741XX	PAD, LARGE BACK	48	1	7423613	CABLE, FZCE 107
17	2	3235601	BEARING, 6205 BALL	49	1	3236902	NUT, M16 X 2 HEX JAM SS
18	2	7568901	SPACER,FZCE	50	1	3236901	NUT, M10 X 1.5 JAM
19	1	7517401	WLDMT, FZ, HANDLE LEFT	51	1	7422004	LABEL, 2" ASTM WARN
20	1	7517501	WLDMT, FZ, HANDLE RIGHT	52	1	7794401	LABEL, 1-7 CURVED OUTSIDE
21	2	7340201	COVER, FOOT - STRAIGHT	53	1	7571301	LABEL, SERIAL NUMBER
22	1	7419601	COVER, FOOT-20 DEG.	54	1	7602801	LABEL, FZAB PLACARD
23	1	7425101	PIN, PULL X 12.25	55	1	7422003	LABEL, MOVING PARTS
24	1	3235701	SPRING, GAS 150N	56	6	3251202	SCREW, M10 X1.5 X 25MM HEX ZN
25	1	7569101	FZCE-SHAFT	57	1	7690101	BUMPER, SLEEVE - 1 INCH DIA
26	4	7324902	SHAFT, TAPPED 1 DIA X 5.330	58	3	7335401	NUT, M10 X 1.5 SOCKET HEAD
27	8	3104903	1.00" ID 1.25" OD BRONZ BUSHING	59	1	7602701	LABEL, FZCE PLACARD
28	2	7414301	STUD, M10 BALL END M10 X 1.5	60	1	7794501	LABEL, 1-7 CURVED INSIDE
29	1	7351501	SPRING; PULL PIN LARGE	61	6	3254703	NUT, M10 X 1.5 HEX ZINC
30	1	7512101	ASSY, MID TOWER-19	62	2	3251204	SCREW, M10 X1.5 X 35MM HEX ZN
31	1	7424801	KNOB, POP PIN	63	4	3236201	SCREW, M10 X1.5 20MM
32	1	7564501	PIN, FZ/PS, WEIGHT PLATE	64	2	7630101	RETAINER, CM/MJ, PULLEY

FZCE CALF EXTENSION MID-19 TOWER ASSEMBLY - 7512101



ITEM NO.	QTY.	PART NO.	DESCRIPTION
1	1	7512001	ASSY, WEIGHT STACK MID-19
2	2	7326301	CAP, D-TUBE - BOTTOM
3	1	7419801	ASSY, TOWER PLASTICS - MID

FZCE CALF EXTENSION PLASTIC TOWER ASSEMBLY - 7419801

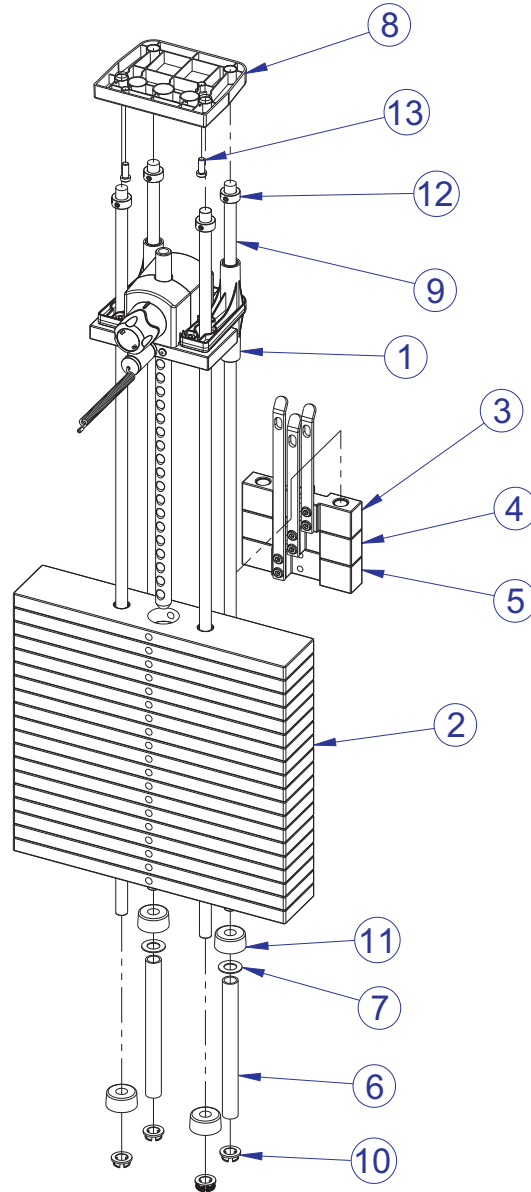


ITEM NO.	QTY.	PART NO.	DESCRIPTION
1	1	7318601	COVER, TOWER- TOP FRONT
2	1	7318701	COVER, TOWER- TOP REAR
3	1	7318801	COVER, TOWER- BOTTOM FRONT
4	1	7318901	COVER, TOWER- BOTTOM REAR
5	9	3236501	M4 X 0.7 PHL PAN MS ST ZN
6	16	3239101	SCREW, M5X10 PHL PAN TT ST
7	1	7765701	SHROUD, TOWER- REAR SHORT
8	2	7765601	SHROUD, TOWER- FRT SHORT RH
9	6	7583501	RETAINER, FZ SHROUD

FZCE CALF EXTENSION MID-19 WEIGHT STACK ASSEMBLY - 7512001

Weight Stack Labels

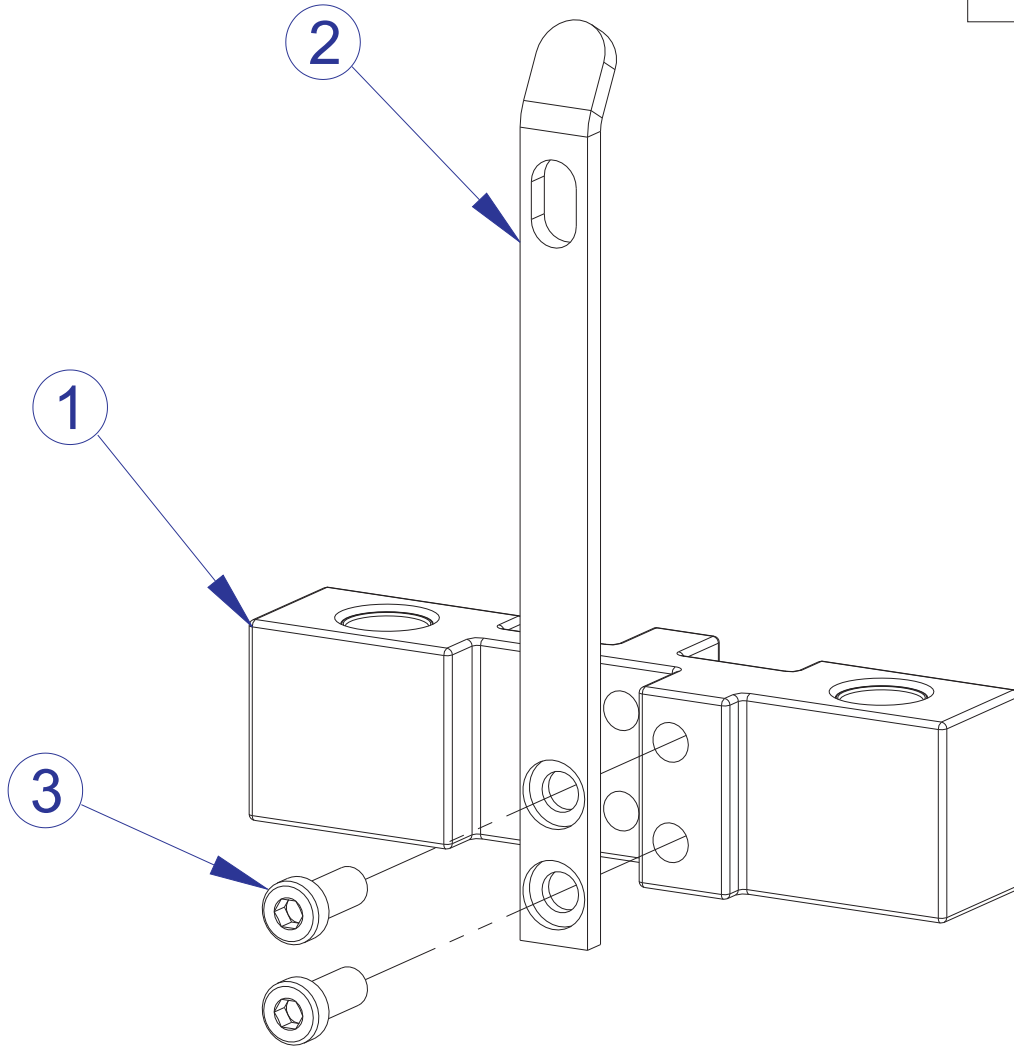
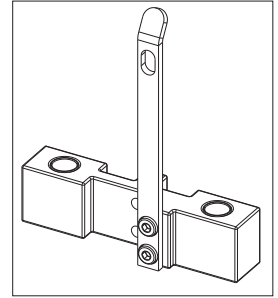
7927201	LABEL, 390 LB STACK
7927301	LABEL, 195 KG STACK



ITEM NO.	QTY.	PART NO.	DESCRIPTION
1	1	7350801	ASSY, HEAD PLATE (19)
2	19	7328401	WEIGHT PLATE, 20 LB
3	1	7327601	ASSY, INCREMENT WT - 5LB
4	1	7327701	ASSY, INCREMENT WT - 10LB
5	1	7327801	ASSY, INCREMENT WT - 15LB
6	2	7328702	SPACER, INC WT STACK - 19 PLT
7	2	7351001	SPACER, INC WT STACK
8	1	7621101	RETAINER, GUIDE ROD - TOP
9	4	7328602	GUIDE ROD, .75 OD SOLID 53.50
10	4	7337901	BUSHING, GUIDE ROD
11	4	7352101	CUSHION, WEIGHT STACK
12	4	3103301	SHAFT COLLAR, 3/4 I.D. ZINC
13	2	3236202	SCREW, M10 X1.5 25MM

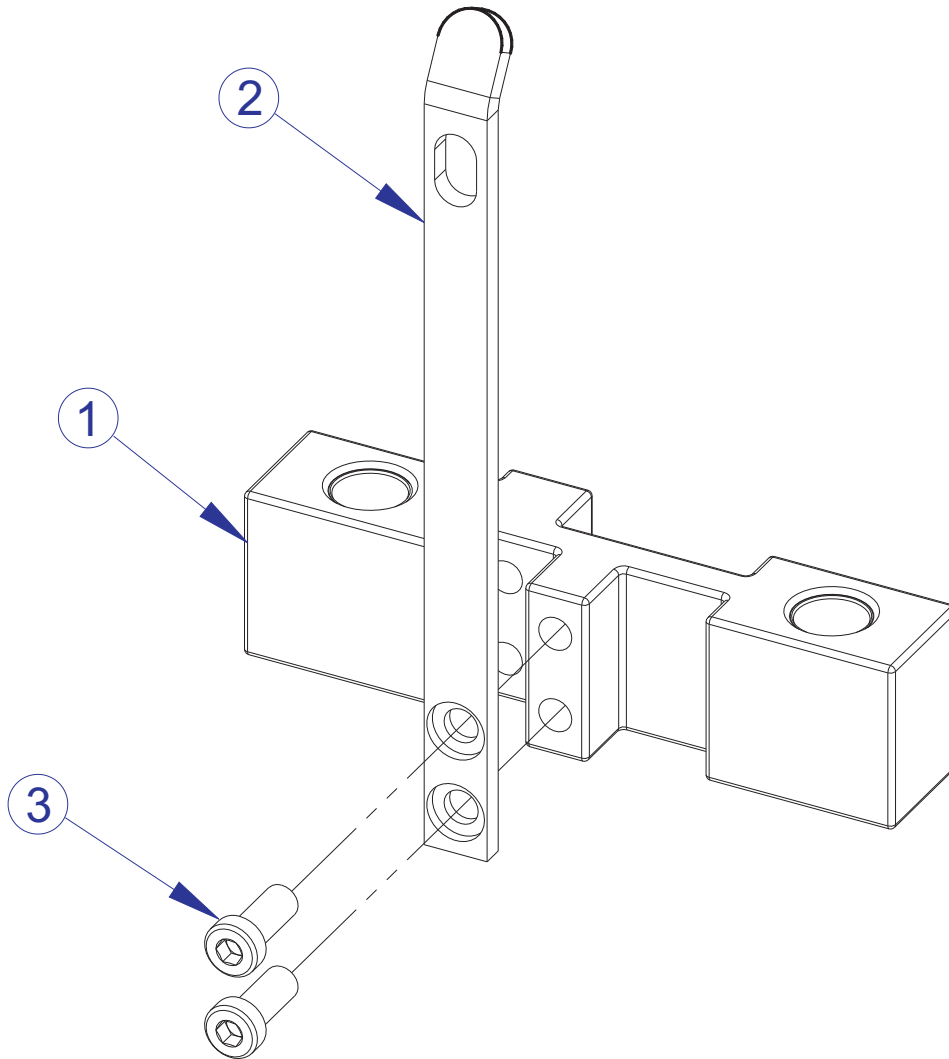
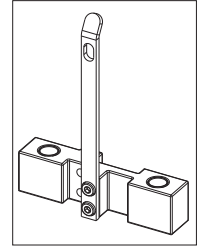
FZCE CALF EXTENSION

5 LB. INCREMENT WEIGHT ASSEMBLY - 7327601



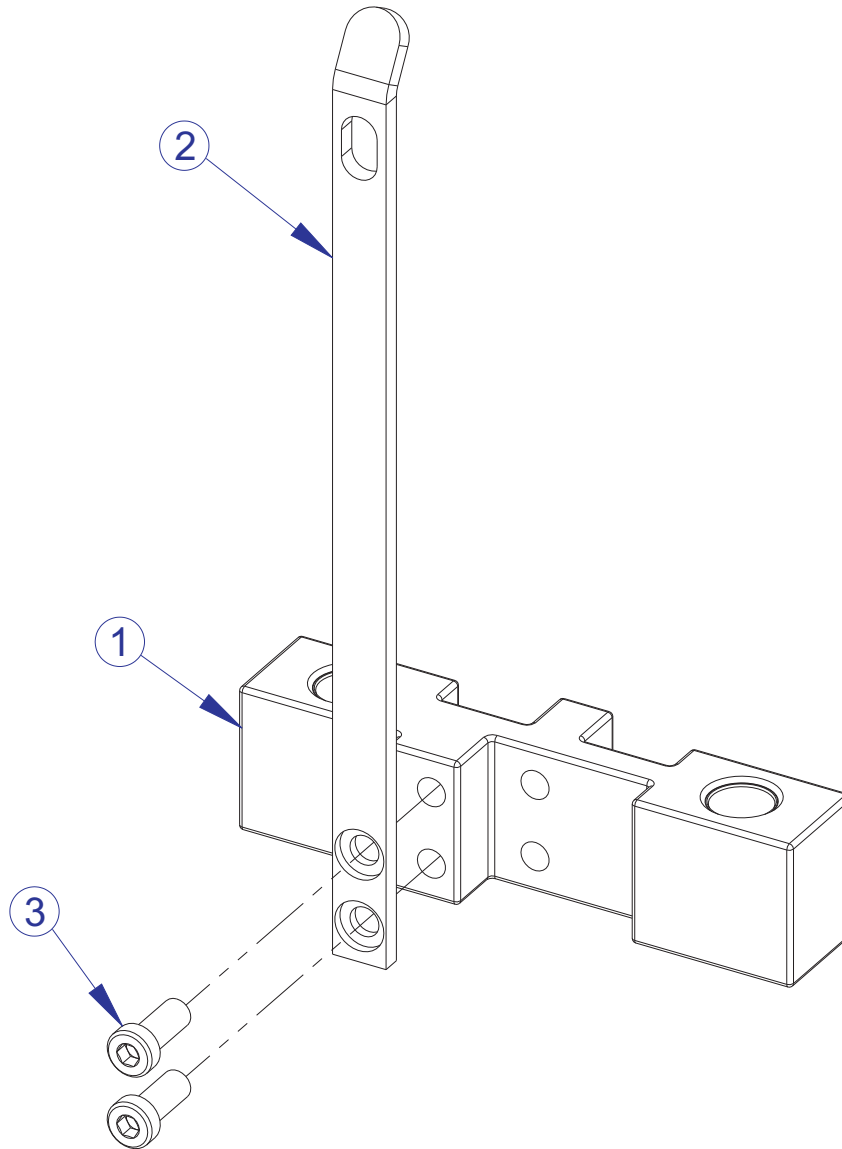
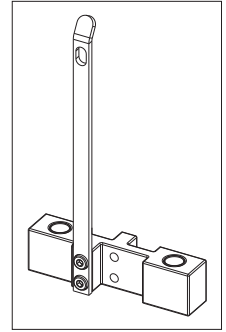
ITEM NO.	QTY.	PART NO.	DESCRIPTION
1	1	7968501	ASSY, FZ INC WEIGHT 5LB
2	1	7328001	BRKT, INCREMENT WT - 5 LB
3	2	3236202	SCREW, M10 X1.5 25MM

FZCE CALF EXTENSION 10 LB. INCREMENT WEIGHT ASSEMBLY - 7327701



ITEM NO.	QTY.	PART NO.	DESCRIPTION
1	1	7968501	ASSY, FZ INC WEIGHT 5LB
2	1	7328101	BRKT, INCREMENT WT - 10 LB
3	2	3236202	SCREW, M10 X1.5 25MM

FZCE CALF EXTENSION 15 LB. INCREMENT WEIGHT ASSEMBLY - 7327801

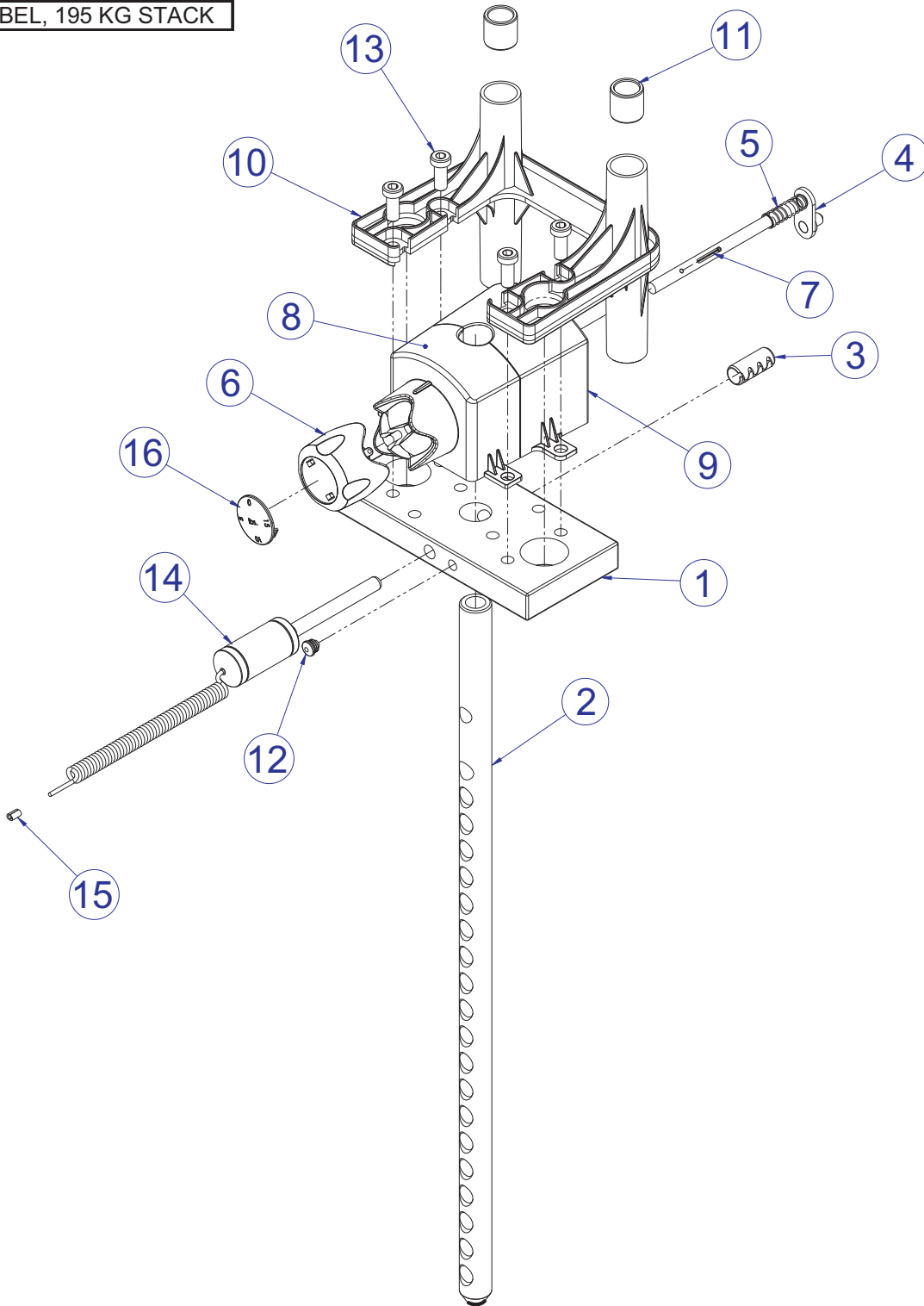


ITEM NO.	QTY.	PART NO.	DESCRIPTION
1	1	7968501	ASSY, FZ INC WEIGHT 5LB
2	1	7328201	BRKT, INCREMENT WT - 15 LB
3	2	3236202	SCREW, M10 X1.5 25MM

FZCE CALF EXTENSION HEAD PLATE ASSEMBLY - 7350801

Weight Stack Labels

7927201	LABEL, 390 LB STACK
7927301	LABEL, 195 KG STACK



SEE PAGE 13 FOR LEGEND

FZCE CALF EXTENSION HEAD PLATE ASSEMBLY LEGEND

ITEM NO.	QTY.	PART NO.	DESCRIPTION
1	1	7326701	HEAD PLATE
2	1	7349501	STEM, 19 PLATE
3	1	3236001	BUSHING, SPRING PIN
4	1	7327201	WLDMT, INCREMENT WT PIN
5	1	8024501	SPRING, 1/2 OD X 1-1/2
6	1	7326101	KNOB, INC WT SELECTOR
7	1	3110008	ROLL PIN, 1/8 X 1-1/4
8	1	7326401	HOUSING, SELECTOR - FRONT
9	1	7326501	HOUSING, SELECTOR - REAR
10	1	7362101	STABILIZER, HEAD PLATE
11	4	7459601	BUSHING, HEAD PLT STABILIZER
12	1	7356501	PLUG, LANYARD ATTACHMENT
13	4	3236202	SCREW, M10 X1.5 25MM
14	1	7338101	ASSY, WT STACK SELECTOR PIN
15	1	7523601	CRIMP, CABLE
16	1	7398601	CAP, SELECTOR KNOB, LBS
	OR		
	1	7398701	CAP, SELECTOR KNOB, KG

FZCE CALF EXTENSION IMAGE

