

User Guide | Guide de l'utilisateur | Guía del Usuario



Executive shelf system with tuner  
Lecteur de CD de salon haut de gamme avec syntoniseur  
Sistema de audio tipo ejecutivo con sintonizador

**NS-A1112**



# Insignia NS-A1112 Executive Shelf System with Tuner

## Contents


Introduction	3
Safety information	3
Features	4
Setting up your executive shelf system	5
Using the executive shelf system	5
Maintaining the executive shelf system	7
Specifications	8
Warranty information	8
<b>Français</b>	<b>9</b>
<b>Español</b>	<b>16</b>


## Introduction


Congratulations on your purchase of a high-quality Insignia product. Your NS-A1112 executive shelf system with tuner represents the state of the art in stereo design, and is designed for reliable and trouble-free performance.


## Safety information


Read the instructions carefully before operating your executive shelf system.

**Warning**  Risk of electric shock. Do not open. Do not attempt to service your executive shelf system yourself because opening or removing covers may expose you to dangerous electrical voltage or other hazards. Refer all servicing to qualified service personnel.

**Warning**  To reduce the risk of fire or electric shock, do not expose your executive shelf system to rain or moisture. Do not expose your executive shelf system to dripping or splashing liquids. Do not set objects filled with liquids, such as vases, on your executive shelf system.

**Warning**  To avoid fire, do not place an open flame source, such as a lighted candle, on or near your executive shelf system.

**Warning**  Leave at least 4 inches (10 cm) of space around your executive shelf system for sufficient ventilation. Do not block the ventilation openings with items, such as newspapers, tablecloths, or curtains.

**Warning**  In case of smoke, strange noises, or strange smells from your executive shelf system, turn it off, unplug it from the power outlet, and contact your dealer or service center.

### Important

Since the CD circuitry may cause interference to other radio tuners nearby, turn this executive shelf system off when not in use or move it away from the affected radio tuner.

This executive shelf system complies with Part 15 of the FCC Rules. Operation is subject to the following two conditions: (1) This device may not cause harmful interference, and (2) this device must accept any interference received, including interference that may cause undesirable operation.

### Note

This equipment has been tested and found to comply within the limits for a class B digital device, pursuant to Part 15 of the FCC Rules. These limits are designed to provide reasonable protection against harmful interference in a residential installation. This equipment generates, uses, and can radiate radio frequency energy and, if not installed and used in accordance with the instructions, may cause harmful interference to radio communications. However, there is no guarantee that interference will not occur in a particular installation. If this equipment does cause harmful interference to radio or television reception, which can be determined by turning the equipment off and on, the user is encouraged to try to correct the interference by one or more of the following measures:

- Reorient or relocate the receiving antenna.
- Increase the separation between the equipment and receiver.
- Connect the equipment into an outlet on a circuit different from that to which the receiver is connected.
- Consult the dealer or an experienced radio / TV technician for help.

### Safety certification

This executive shelf system is made and tested to meet safety standards of the FCC, requirements and compliance with safety performance of the U.S. Department of Health and Human Services, and also with FDA Radiation Performance Standards 21 CFR Subchapter J.



Invisible laser radiation when open and interlock failed or defeated. Avoid direct exposure to laser beam.

### Laser safety

This executive shelf system employs an optical laser beam system in the CD mechanism, designed with built-in safeguards. Do not attempt to disassemble. Refer to qualified service personnel. Exposure to this invisible laser light beam may be harmful to the human eye.

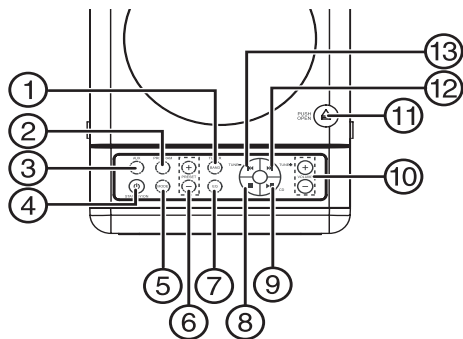
This is a Class-1 laser product. Use of controls, adjustments, or procedures other than those specified herein, may result in hazardous laser light beam exposure.

## Safety precautions

- Do not open the cabinet. Refer servicing to qualified personnel only.
- Do not expose to excessive heat, direct sunlight, dust, moisture, vibration, or shock.
- Use **only** the AC adapter specified. Other types may damage your executive shelf system.
- Disconnect the AC adapter from the power outlet when the executive shelf system is not going to be used for an extended period of time.
- When cleaning your executive shelf system, use a soft dry cloth. Do not use solvents or commercially available cleaners because they may damage or discolor the finish.
- Protect the power cord from being walked on or pinched, particularly at plugs, convenience receptacles, and the point where the power cord exits from the executive shelf system.
- Use only attachments and accessories specified by the manufacturer.
- Use the executive shelf system only with a cart, stand, tripod, bracket, or table specified by Insignia or sold with the executive shelf system. When using a cart, use caution when moving the cart and executive shelf system combination to avoid injury from it tipping over.
- This is classified as Class II equipment, which means that the stereo has a double-insulation system.

## Features

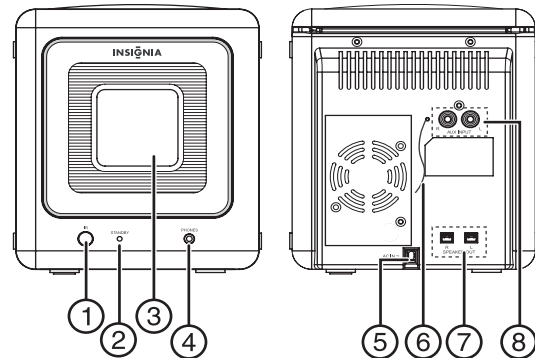
### Top controls



Number	Control
1	Tuner/Band button
2	Memory/Program button
3	Aux button
4	Standby/On button
5	Mode button
6	Preset + / - button
7	EQ button
8	Stop button

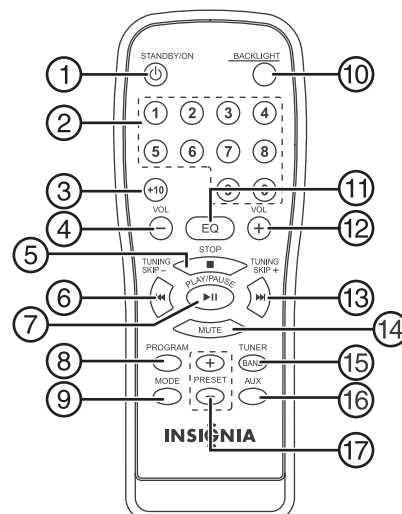
Number	Control
9	CD Play/Pause button
10	Volume + / - button
11	Push Open button
12	Skip Forward/Tuning + button
13	Skip Backward/Tuning - button

### Front and Back Controls



Number	Control
1	Remote sensor
2	Standby indicator
3	LCD display
4	Headphone jack
5	AC In jack
6	FM wire antenna
7	Speaker connections
8	Aux In jack

### Remote control



Number	Control
1	Standby button
2	Numeric keypad
3	+10 button
4	Volume - button
5	Stop button
6	Skip - / Tuning button
7	CD Play / Pause button
8	Program button
9	Mode button
10	Backlight button
11	EQ button
12	Volume + button
13	Skip + / Tuning + button
14	Mute button
15	Tuner / Band button
16	AUX button
17	Preset + / - button

## Setting up your executive shelf system

### Unpacking the executive shelf system

**How to unpack the executive shelf system:**

- Carefully unpack the stereo and speakers, then remove all packing material from around the stereo.
- Position the stereo horizontally on a heavy-duty stand or firm, level surface away from the speaker system to avoid acoustic feedback.

### Connecting the executive shelf system

**How to connect the executive shelf system:**

- Connect the wires from the speaker box to the speaker connections on the back of the stereo.
- Connect the AC power cord to an AC outlet.

**NOTE:**

Before operating the stereo in a new area for the first time, you must check that the operating voltage of your stereo is identical to the voltage of your local power supply. This stereo is to be operated only at the power source voltage printed on the back panel. Disconnect from the power outlet when not in use for a long period of time.

## Preparing the remote control

### Installing remote control batteries



**Warning**

Do not throw the batteries into fire. Dispose of used batteries as hazardous waste.

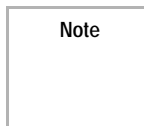


**Caution**

Do not drop or disassemble the remote control. Do not get the remote control wet.

**To install batteries in the remote control:**

- Remove the battery cover.
- Insert two AAA batteries into the battery compartment. Make sure that the +/- symbols on the battery match the +/- marks inside the battery compartment.
- Replace the battery cover.



**Note**

When the remote control will not be used for a long period of time or when the batteries are worn out, remove the batteries to prevent leakage.

## Using the executive shelf system

### Turning the stereo off and on

**There are several ways to turn on the executive shelf system:**

- Press **Standby/On** once to turn on the stereo and light the backlight.

**Note:**

When the power is off, pressing **Backlight** on the remote control will turn the backlight on or off. After turning off the stereo, the backlight will be off.

- Press **Play/Pause** once to turn on the stereo, which will read the TOC and start playback automatically.
- Press **Tuner/Band** once to turn on the stereo and restore the band and frequency playing when the stereo was turned off.
- Press **AUX** once to turn on the stereo and select AUX input.

### Using the remote control

**To change modes for the executive shelf system:**

- Press **Standby/On** on the remote control to turn the power on.
- After the remote control is turned on, press
  - Press **Tuner/Band** to select the tuner.
  - Press **CD Play/Pause** to select the CD.
  - Press **AUX** to select an auxiliary source component.

**NOTE:**

When using the remote control and you are required to move closer to the stereo for the remote control to operate, replace both batteries. The remote control may not operate correctly if direct sunlight or the light of a high-frequency fluorescent lamp enters the remote control light sensor. In this case, change the system installation position to prevent the problem.

## Using the clock

When the stereo is turned off, the real-time clock shows in the LCD display.

### To adjust the time:

- 1 Press **Mode** once to enter the clock setting mode. The time flashes in the LCD display.
- 2 Press **Skip Backward/Tuning -** once to decrease the hour.
- 3 Press **Skip Forward/Tuning +** once to increase the hour.
- 4 Press **Volume -** once to decrease the minute.
- 5 Press **Volume +** once to increase the minute.
- 6 Press and hold any of these buttons for more than 1 second to enter the fast setting mode. After the time is changed, the seconds reset to "00" and the clock stops running.
- 7 To confirm the time and exit clock setting mode, press **Mode**. The clock starts.

#### Note:

If there is no button operation for 10 seconds, the stereo automatically exits the clock setting mode.

## Adjusting the sound

### Volume

#### To adjust the volume:

- 1 Press **Volume +** as necessary to increase the volume.
- 2 Press **Volume -** as necessary to decrease the volume.

### Preset equalizer

The preset equalizer provides five ranges of control (NORMAL, ROCK, JAZZ, POP, AND CLASSIC) for the audio frequency spectrum in narrow and distinct sections.

Press **EQ** to select the best response that suits your type of music and individual taste.

## Using the radio

After pressing a button while using the radio, the LCD display shows the operation. Five seconds after any operation is completed, the LCD will re-display the clock.

### Tuner mode

- 1 Press **Tuner/Band** once to turn on the stereo and restore the band and frequency playing when the stereo was turned off.
- 2 In Tuner mode, Press **Tuner/Band** to toggle between AM and FM bands.
- 3 With the radio set to FM band, press **Mode** to toggle between FM stereo or mono mode. If the FM stereo mode is selected, the **Stereo** indicator on the LCD will be lit.

### AUX IN mode

- 1 Press **Aux** to select the auxiliary mode. The RCA jacks at the back of the stereo can be used for connecting external audio sources.
- 2 Make sure the correct color of the RCA plug is paired with the correct color of RCA jack.

## Reception

### To adjust FM reception:

- Raise and extend the FM antenna, then adjust the position for the best reception. The **Stereo** indicator appears on the LCD only if an actual stereo broadcast station is being received.

### To adjust AM reception:

- Because the built-in ferrite bar antenna is directional, rotate the stereo horizontally or relocate the stereo for best reception.

## Tuning

### To tune the stereo manually:

- 1 In Tuner mode, press **Skip Forward/Tuning +** to move to a higher radio frequency one frequency step at a time.
- 2 In Tuner mode, press **Skip Backward/Tuning -** to move to a lower radio frequency one frequency step at a time.

### To tune the stereo automatically:

- 1 Press and hold **Skip Forward/Tuning +** or **Skip Backward/Tuning -** to auto search in the desired direction at the speed of four frequency steps per second.
- 2 Hold the button down to bypass all stations until the button is released. After the button is released, the radio stops at the next station frequency. When the tuning reaches the band edge, the tuner will wrap around to the opposite end and keep searching.
- 3 While auto-tuning, no other functions are available. To use another function while auto-tuning, press **Standby/On**, **Play/Pause**, or **Aux** to abort the auto tuning. You then can perform another function.

### Channel save and recall

You can program (save) 20 preset FM stations and 12 preset AM stations.

### To save station settings:

- 1 In Tuner mode, select the station to be saved, then press **Memory/Program** once to enter the **Channel Save** mode.
- 2 Press **Memory/Program** again to save the channel in memory, then press **Preset + / -** to confirm the operation.
- 3 Repeat Steps 1 and 2 to enter more stations (up to 20 FM stations and 12 AM stations.)
- 4 Press any other button to abort or exit the channel save operation.

### To find saved stations:

- 1 Press **Preset + / -** to find a saved channel.
- 2 Press **Preset + / -** again to move to the next saved channel. Repeat the process as necessary to reach the channel you want.

## Using the CD

This executive shelf system can play audio discs such as CD-R or CD-RW discs. Do not try to play a CD-ROM, CDi, VCD, DVD, or computer data CD.



Use a CD with the logo at left in this stereo. The executive shelf system can play 3" (8 cm) single CDs without an adapter (not included). Do not use a CD single adapter for these CDs.

#### Note

Always store discs in their cases. Do not expose discs to direct sunlight, high temperature, high humidity, or dust. When removing the disc from its case,

- Do not touch the recorded surface opposite the side of the CD with the label
- Do not stick paper on label surface
- Do not bend the CD.

## Operating the CD player

When using the CD player, after pressing a button the LCD display will show the operation. Five seconds after any operation is completed, the LCD will re-display the clock.

### Basic CD play

- 1 Press **Push Open** to open the CD compartment lid.
- 2 Adjust the **Volume +/-** to minimum.
- 3 Remove the CD from its storage case, then insert the CD with the label side facing up.
- 4 Close the lid securely until you hear a click.
- 5 Press **Play/Pause** to start playing.

### Play/Pause function

This CD player has no **ON/OFF** switch.

### To turn the player on and off:

- 1 In power off mode, press **Standby/On** or **Play/Pause** once to turn on the executive shelf system in CD mode. The executive shelf system will start playback automatically.
- 2 Turn off the CD player by pressing the **Stop** button.
- 3 While in CD mode:
  - Open and close the CD door to start playback automatically.
  - When the CD stops, press **Play/Pause** once to start the CD playback.
  - When the CD is playing, press **Play/Pause** once to pause the CD playback.

### Play mode

- 1 In CD mode, press **Mode** to select play mode using the following sequence:
  - NORMAL → REPEAT 1 → REPEAT ALL →
  - RANDOM → REPEAT ALL RANDOM →
  - Activating REPEAT 1 causes the REPEAT icon to flash.
  - Activating REPEAT ALL turns on the REPEAT icon.
  - Activating RANDOM turns on the RANDOM icon.
  - Activating REPEAT ALL RANDOM turns on the RANDOM and REPEAT icons.
- 2 To clear the play mode, press **Stop** or change to mode to **Tuner**.
- 3 If **Program** mode is activated, random mode will not be activated.

### Program mode

**Program** mode allows you to play up to 20 tracks in the order you choose.

### To use the program mode:

- 1 In CD **Stop** mode, press **Memory/Program** once to enter the **Program** mode.
- 2 Press **Skip Forward/Tuning +** or **Skip Backward/Tuning -** to select the desired track.
- 3 Press **Memory/Program** again to save the track in memory.
- 4 Repeat Steps 2 and 3 to enter more tracks (up to 20 tracks).
- 5 Press **Play/Pause** to start the program playback.
- 6 Press **Stop** twice or open the CD door to clear program memories.

### Search/Skip Forward and Backward

- 1 Press **Skip Forward/Tuning +** or **Skip Backward/Tuning -** to skip the track forward (+) or backward (-).
- 2 Press and hold **Skip Forward/Tuning +** or **Skip Backward/Tuning -** to search over more than one track forward (+) or backward (-).
- 3 Release the button to resume normal playback.

## Maintaining the executive shelf system

### Cleaning the player

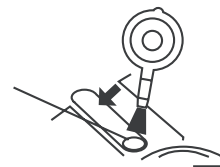
- Wipe with a soft cloth. If the player is very dirty, dampen the cloth with a weak solution of neutral detergent and water, and then wipe clean.

### Cleaning the lens

A dirty lens causes sound skipping, and if the lens is very dirty, the CD may not work at all.

### To clean the lens:

- 1 Open the CD cover.



- 2 To remove dust or dry particles, use a camera lens blower/brush to blow on the lens several times.
  - Wipe the lens lightly with the brush to remove dust.
  - Blow on the lens one more time to make sure that all particles are gone.
- 3 If the lens cannot be cleaned by using a brush/blower, use a dry cotton swab starting from the middle and working to the outside edge to remove dirt or marks.

## Cleaning CDs

- Fingerprints and dust should be carefully wiped from the surface of the CD with a soft cloth. Wipe in a straight motion from the center to the edge.
- Never use thinner, benzine, record cleaner, or anti-static spray on a CD, because they can damage its plastic surface.

## Specifications

Design and specifications are subject to change without notice.

General	
System	executive shelf system with Tuner
Output terminal	Terminal speaker sockets
Maximum total output power	> 1.8 W x 2
Dimensions	15.35 × 6.7 × 8.7 inches (389.9 × 170.18 × 221 mm)
Weight	7.7 lbs. (3.496 kg)

Audio	
Radio:	
Frequency	FM: 87.5 - 108 MHz AM: 520 - 1710 MHz
CD:	
Sampling frequency	44.1 Khz
Radio frequency	20-20,000 Hz
	Below measurable limits
Number of Channels	2 channels (stereo)

Power sources	
Power supply	120 V AC 60 Hz
Remote control batteries	1.5 V (2)
Power consumption	14 W

## Warranty information

### Limited warranty

Insignia Products warrants to you, the original purchaser of this Product, that this product shall be free of defects in material or workmanship for a period of ninety (90) days from the date of purchase as follows:

- 1 LABOR:** During the Warranty Period if this Product is determined to be defective, Insignia will repair or replace the Product, at its option at no charge, or pay the labor charges to any Insignia authorized service facility. After the Warranty Period, you must pay for all labor charges.
- 2 PARTS:** In addition, Insignia will supply, at no charge, new or rebuilt replacement parts in exchange for defective parts for the Warranty Period. After the Warranty Period, you must pay all parts costs.

To obtain warranty service, you must take the Product with your original receipt or other proof of purchase, either in its original packaging or packaging affording an equal degree of protection, to your nearest retail store location of the store or online web site from which you purchased the Product.

This warranty does not cover cosmetic damage or damage due to acts of God, lightning strikes, accident, misuse, abuse, negligence, commercial use, or modification of, or to any part of the Product, including the antenna. This warranty does not cover damage due to improper operation or maintenance, connection to improper voltage supply, or attempted repair by anyone other than a facility authorized by Insignia to service the Product. This warranty does not cover Products sold AS IS or WITH ALL FAULTS, or consumables (such as fuses or batteries). This warranty is valid only in the United States and Canada.

This warranty is invalid if the factory applied serial number has been altered or removed from the Product.

REPAIR REPLACEMENT AS PROVIDED UNDER THIS WARRANTY IS THE EXCLUSIVE REMEDY OF THE CONSUMER. INSIGNIA SHALL NOT BE LIABLE FOR ANY INCIDENTAL OR CONSEQUENTIAL DAMAGES FOR BREACH OF ANY EXPRESS OR IMPLIED WARRANTY ON THIS PRODUCT. EXCEPT TO THE EXTENT PROHIBITED BY APPLICABLE LAW, ANY IMPLIED WARRANTY, REPRESENTATION OR CONDITION OF MERCHANTABILITY OR FITNESS FOR A PARTICULAR PURPOSE ON THIS PRODUCT IS LIMITED IN DURATION TO THE DURATION OF THIS WARRANTY.

Some states or provinces do not allow the exclusion or limitation of incidental or consequential damages, or allow limitations on how long an implied warranty lasts, so the above limitations or exclusions may not apply to you. This warranty gives you specific legal rights, and you may have other rights which vary from state to state, or province to province.

For customer service, please call 1-877-467-4289.

[www.insignia-products.com](http://www.insignia-products.com)

Insignia Products, Richfield, Minnesota, U.S.A.



# Lecteur de CD de salon haut de gamme avec syntoniseur NS-A1112 Insignia

## Table des matières

Introduction .....	9
Information sur la sécurité .....	9
Fonctionnalités .....	10
Installation du lecteur de CD de salon haut de gamme .....	11
Fonctionnement du lecteur de CD de salon haut de gamme .....	12
Entretien de l'appareil .....	14
Spécifications .....	14
Informations sur la garantie .....	15
Droits d'auteurs .....	15

## Introduction

Félicitations d'avoir acheté ce produit Insignia de haute qualité. Le lecteur de CD de salon haut de gamme avec syntoniseur NS-A1112 représente la dernière avancée technologique dans la conception de systèmes stéréo et a été conçu pour des performances et une fiabilité hors pair.

## Information sur la sécurité

Lire les instructions avec attention avant d'utiliser ce lecteur de CD de salon haut de gamme.

### Avertissement



Risque de choc électrique. Ne pas ouvrir. L'utilisateur ne doit pas essayer de réparer cet appareil lui-même, en effet son ouverture ou le démontage des couvercles peut l'exposer à des tensions dangereuses et à d'autres dangers. Toutes les réparations doivent être réalisées par du personnel qualifié.

### Avertissement



Afin de réduire le risque d'incendie et de choc électrique, ne pas exposer cet appareil à la pluie ou l'humidité. Ne pas exposer cet appareil aux gouttes d'eau ou aux éclaboussures. Ne pas placer d'objets tels qu'un vase rempli de liquide sur l'appareil.

### Avertissement



Pour éviter un incendie, ne pas mettre une source de lumière telle qu'une chandelle allumée sur ou à proximité de l'appareil.

### Avertissement



Laisser un espace d'environ 4 po (10 cm) autour de l'appareil pour une bonne ventilation.

Ne pas bloquer les ouvertures de ventilation avec des articles tels que des journaux, des nappes ou des rideaux.

### Avertissement



En cas de fumée, bruits ou odeurs étranges émanant de l'appareil, le mettre hors tension, le débrancher de la prise murale et contacter le détaillant ou le centre de réparation.

### Important

Les composants d'un lecteur de CD pouvant provoquer des interférences avec d'autres syntoniseurs radio à proximité, mettre l'appareil hors tension quand il n'est pas utilisé ou l'écartier du syntoniseur radio affecté.

Cet appareil est conforme à l'article 15 du règlement de la FCC. Son fonctionnement est soumis aux deux conditions suivantes : (1) Ce dispositif ne doit pas provoquer d'interférences nuisibles et (2) il doit accepter toute interférence reçue, notamment les interférences qui pourraient entraîner un fonctionnement indésirable de l'appareil.

### Remarque

Cet équipement a été mis à l'essai et déclaré conforme aux limites prévues pour un appareil numérique de classe B, définies dans la section 15 de la réglementation FCC. Ces limites ont été établies pour fournir une protection raisonnable contre les interférences nuisibles lors d'une installation résidentielle. Cet équipement génère, utilise et diffuse des ondes radio et, s'il n'est pas installé et utilisé conformément aux instructions dont il fait l'objet, il peut provoquer des interférences indésirables avec les communications radio. Cependant, il n'est pas possible de garantir qu'aucune interférence ne se produira dans une installation particulière. Si cet équipement cause des interférences gênant la réception d'ondes radio ou télévisées (déterminé en éteignant et en rallumant l'équipement), il est recommandé que l'utilisateur tente de corriger le problème en appliquant au moins l'une des mesures suivantes :

- Réorienter ou déplacer l'antenne réceptrice.
- Augmenter la distance entre l'équipement et le récepteur.
- Brancher l'équipement sur la prise électrique d'un circuit différent de celui auquel le récepteur est relié.
- Contacter le revendeur ou un technicien radio/télévision qualifié pour toute assistance.

### Certification de sécurité

Ce lecteur de CD de salon haut de gamme a été fabriqué et testé pour satisfaire aux normes de sécurité de la FCC, aux exigences et règles de conformité du Ministère de la santé des États-Unis (U.S. Département of Health and Human Services), ainsi qu'aux normes d'irradiation 21 CFR, section de chapitre J de la FDA.



Radiation au laser invisible en cas d'ouverture et lorsque le système de sécurité est défectueux ou neutralisé. Éviter toute exposition directe aux rayons laser.

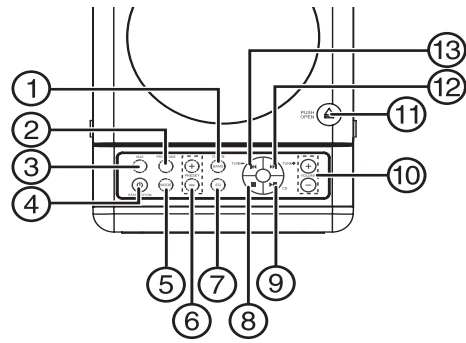
### Sécurité du laser

Le mécanisme CD de cet appareil utilise une technologie de faisceau laser optique, conçue pour intégrer des dispositifs de sécurité. Ne pas essayer de démonter cet appareil. Confier l'entretien à du personnel qualifié. Une exposition à la lumière du faisceau laser invisible peut être dangereuse pour la vue.

Appareil au laser de classe 1. L'utilisation de commandes, de réglages ou l'exécution de procédures autres que celles indiquées ici peuvent aboutir à une irradiation dangereuse.

## Fonctionnalités

### Commandes sur le dessus

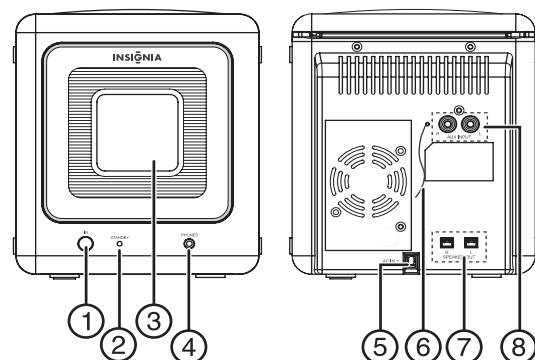


### Mesures de sécurité

- Ne pas ouvrir le boîtier. Confier la réparation à un technicien spécialisé.
- Ne pas exposer l'appareil à une chaleur excessive, la lumière solaire directe, la poussière, l'humidité, les vibrations ou les chocs.
- Utiliser **uniquement** l'adaptateur CA spécifié. D'autres types peuvent endommager l'appareil.
- Déconnecter l'adaptateur CA de la prise secteur quand l'appareil ne doit pas être utilisé pendant une longue période.
- Pour le nettoyage de l'appareil, utiliser un chiffon doux et sec. Éviter totalement l'usage de solvants ou produits de nettoyage du commerce, car ils pourraient endommager ou décolorer la finition de l'appareil.
- Protéger le cordon d'alimentation afin d'éviter qu'on marche dessus ou qu'il soit pincé, en particulier au niveau des prises murales, plaques multiprises et à l'endroit où il est rattaché à l'appareil.
- N'utiliser que des accessoires et des outils spécifiés par le fabricant.
- N'utiliser qu'avec la table roulante, le pied, le trépied, le support ou la table spécifiés par Insignia ou vendus avec le produit. Lorsqu'une table roulante est utilisée, déplacer l'ensemble appareil/table roulante avec précaution pour éviter les blessures provoquées par une éventuelle chute de l'appareil.
- Cet appareil est un produit de classe II, ce qui signifie que la stéréo est dotée d'un double système d'isolation.

Légende	Commande
1	Touche Syntoniseur/Fréquence
2	Touche Mémoire/Programmation
3	Touche Aux
4	Touche Attente/Mise sous tension
5	Touche Mode
6	Touche Préréglage + / -
7	Touche EQ
8	Touche Arrêt
9	Touche Lecture/Pause du CD
10	Touche Volume + / -
11	Touche Ouvrir
12	Touche Saut en avant/Syntonisation +
13	Touche Saut arrière/Syntonisation -

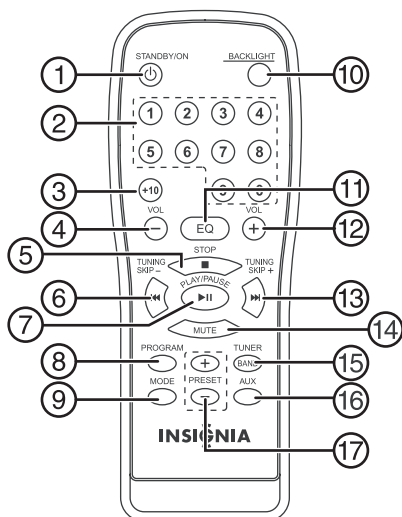
### Commandes panneau avant et arrière



Légende	Commande
1	Capteur de la télécommande
2	Témoin de mise en attente
3	Écran ACL

Légende	Commande
4	Prise de casque d'écoute
5	Prise d'entrée CA
6	Antenne filaire FM
7	Connexions des haut-parleurs
8	Prise d'entrée Aux

## Télécommande



Légende	Commande
1	Touche Attente
2	Pavé numérique
3	Touche +10
4	Touche Volume -
5	Touche Arrêt
6	Touche Saut - / Syntonisation
7	Touche Lecture/Pause du CD
8	Touche Programmation
9	Touche Mode
10	Touche de rétro-éclairage
11	Touche EQ
12	Touche Volume +
13	Touche Saut + / Syntonisation +
14	Touche Sourdine
15	Touche Syntoniseur/Fréquence
16	Touche AUX
17	Touche Préréglage + / -

## Installation du lecteur de CD de salon haut de gamme

### Déballage de l'appareil

#### Comment déballer l'appareil:

- 1 Déballer avec soin la stéréo et les haut-parleurs, puis enlever l'emballage de la stéréo.
- 2 Placer la stéréo horizontalement sur un support robuste ou une surface plane solide à l'écart des haut-parleurs pour éviter le retour acoustique.

### Connexion de l'appareil

#### Comment connecter l'appareil:

- 1 Connecter les fils des haut-parleurs aux connecteurs correspondants à l'arrière de la stéréo.
- 2 Brancher le cordon d'alimentation CA dans une prise de courant CA.

#### REMARQUE:

Avant d'utiliser la stéréo dans un nouvel emplacement pour la première fois, vérifier que la tension de fonctionnement de la stéréo est identique à la tension d'alimentation locale. Cette stéréo doit fonctionner seulement à la tension de la source d'alimentation indiquée sur le panneau arrière. Débrancher l'appareil de la prise secteur s'il n'est pas utilisé pendant une longue période.

### Mise en service de la télécommande

#### Installation des piles de la télécommande

##### Avertissement



Ne pas jeter les piles dans le feu. Se débarrasser des piles usagées en suivant les normes relatives aux déchets dangereux.

##### Précaution



Ne pas faire tomber ni démonter la télécommande. Ne pas mouiller la télécommande.

#### Pour installer les piles dans la télécommande:

- 1 Retirer le couvercle du compartiment des piles.
- 2 Insérer deux piles AAA dans le compartiment. Vérifier que les symboles +/- sur la pile concordent avec les repères +/- à l'intérieur du compartiment des piles.
- 3 Remettre le couvercle du compartiment des piles.

##### Remarque

Retirer les piles si la télécommande ne va pas être utilisée pendant une période prolongée ou si elles sont mortes, pour éviter qu'elles ne fuient.

## Fonctionnement du lecteur de CD de salon haut de gamme

### Mettre l'appareil hors puis sous tension

Il peut être mis sous tension de différentes façons:

- 1 Appuyer une fois sur **Attente/Mise sous tension** pour mettre l'appareil en marche et allumer le rétro-éclairage.

Remarque :

Quand l'appareil est hors tension, l'appui sur **Rétro-éclairage** de la télécommande activera ou désactivera le rétro-éclairage. Quand l'appareil est hors tension, le rétro-éclairage est désactivé.

- 2 Appuyer une fois sur **Lecture/Pause** pour mettre l'appareil sous tension, la Table des matières sera alors lue et la lecture commencera automatiquement.
- 3 Appuyer une fois sur **Syntoniseur/Fréquence** pour mettre l'appareil sous tension et reprendre l'écoute avec la même gamme d'ondes et fréquence utilisée avant la mise hors tension de l'appareil.
- 4 Appuyer une fois sur **AUX** pour mettre l'appareil sous tension et sélectionner l'entrée AUX.

### Utilisation de la télécommande

Pour changer les modes de l'appareil:

- 1 Appuyer sur la touche **Attente/Mise sous tension** de la télécommande pour mettre l'appareil sous tension.
- 2 Quand la télécommande est mise sous tension :
  - Appuyer sur **Syntoniseur/Fréquence** pour sélectionner le syntoniseur.
  - Appuyer sur **Lecture/Pause du CD** pour sélectionner le CD.
  - Appuyer sur **AUX** pour sélectionner la source auxiliaire de l'appareil.

REMARQUE :

S'il est nécessaire de se rapprocher de l'appareil pour le bon fonctionnement de la télécommande, remplacer les deux piles. La télécommande ne fonctionnera pas correctement si la lumière solaire directe ou d'une lampe incandescente à haute fréquence interfère avec le capteur de la télécommande. Dans ce cas, réorienter l'appareil pour éviter le problème.

### Fonctionnement de l'horloge

Quand l'appareil est hors tension, l'heure actuelle s'affiche sur l'écran ACL.

Pour régler l'heure:

- 1 Appuyer une fois sur **Mode** pour accéder au réglage de l'horloge. L'heure clignote sur l'affichage ACL.
- 2 Appuyer une fois sur **Saut arrière/Syntonisation** - pour diminuer les heures.
- 3 Appuyer une fois sur **Saut en avant/Syntonisation +** pour augmenter le nombre d'heures.
- 4 Appuyer une fois sur **Volume -** pour diminuer le nombre de minutes.

- 5 Appuyer une fois sur **Volume +** pour augmenter le nombre de minutes.
- 6 Maintenir l'une de ces touches appuyée pendant plus d'une seconde pour accéder au mode de réglage rapide. Quand l'heure est modifiée, les secondes sont réinitialisées à « 00 » et l'horloge s'arrête.
- 7 Pour confirmer l'heure et quitter le réglage de l'horloge, appuyer sur **Mode**. L'horloge se met en marche.

Remarque :

Si aucune touche n'est appuyée pendant 10 secondes, l'appareil quitte automatiquement le mode réglage de l'horloge.

### Réglage du son

**Volume**

Pour régler le volume:

- 1 Appuyer sur **Volume +** pour augmenter le volume.
- 2 Appuyer sur **Volume -** pour diminuer le volume.

**Mode d'égalisation pré-réglé**

L'égalisation pré-réglée fournit cinq modes différents de commande (NORMAL, ROCK, JAZZ, POP ET CLASSIQUE) pour répartir le spectre de fréquence audio en sections distinctes.

Appuyer sur **EQ** pour sélectionner ce qui correspond à votre type de musique préféré.

### Fonctionnement de la radio

Quand la radio est en fonctionnement, si une touche est appuyée, l'écran ACL affiche la commande. Cinq secondes après l'exécution de la commande, l'écran ACL affiche de nouveau l'horloge.

**Mode syntoniseur**

- 1 Appuyer une fois sur **Syntoniseur/Fréquence** pour mettre l'appareil sous tension et reprendre l'écoute avec la même gamme d'ondes et fréquence utilisée avant la mise hors tension de l'appareil.
- 2 En mode syntoniseur, appuyer sur **Syntoniseur/Fréquence** pour basculer entre les fréquences AM et FM.
- 3 Quand la radio est réglée sur la fréquence FM, appuyer sur **Mode** pour basculer entre les modes stéréo ou mono FM. Si le mode stéréo FM est sélectionné, l'indicateur **Stéréo** sur l'écran ACL s'allume.

**Mode entrée AUX**

- 1 Appuyer sur **Aux** pour sélectionner le mode auxiliaire. Les prises RCA sur le panneau arrière de l'appareil permettent la connexion de sources audio externes.
- 2 Vérifier que les couleurs du câble RCA correspondent à celles de la prise RCA.

**Réception**

Pour régler la réception FM:

- Relever et déployer l'antenne FM, puis la réorienter pour obtenir la meilleure réception. L'indicateur **Stéréo** s'affiche sur l'écran ACL seulement si la station reçue est émise en stéréo.

**Pour régler la réception AM:**

- Comme l'antenne barre à ferrite intégrée est directionnelle, faire pivoter l'appareil horizontalement ou le déplacer pour obtenir la meilleure réception.

**Syntonisation****Pour syntoniser l'appareil manuellement:**

- 1 En mode Syntoniseur, appuyer sur **Saut en avant/Syntonisation +** pour syntoniser une par une les fréquences plus élevées.
- 2 En mode Syntoniseur, appuyer sur **Saut arrière/Syntonisation -** pour syntoniser une par une les fréquences moins élevées.

**Pour syntoniser l'appareil automatiquement:**

- 1 Maintenir appuyé **Saut en avant/Syntonisation +** ou **Saut arrière/Syntonisation -** pour faire une recherche automatique dans la direction souhaitée à la vitesse de quatre fréquences par seconde.
- 2 Maintenir la touche appuyée pour faire défiler les stations en continu jusqu'à ce que la touche soit relâchée. Quand la touche est relâchée, la radio s'arrête à la fréquence de la station suivante. Quand le syntoniseur atteint l'extrémité de la gamme d'ondes, il retourne au début pour continuer la recherche.
- 3 Pendant la syntonisation automatique, aucune autre fonction n'est disponible. Pour utiliser une autre fonction pendant la syntonisation automatique, appuyer sur **Attente/Mise sous tension, Lecture/Pause** ou **Aux** pour l'annuler. Il est alors possible d'utiliser une autre fonction.

**Enregistrement et accès aux stations**

Il est possible de programmer (enregistrer) et de préréglé 20 stations FM et 12 stations AM.

**Pour enregistrer la configuration des stations:**

- 1 En mode Syntoniseur, sélectionner la station à enregistrer, puis appuyer une fois sur **Mémoire/Programmation** pour accéder au mode **Enregistrer la station**.
- 2 Appuyer de nouveau sur **Mémoire/Programmation** pour mémoriser la station, puis appuyer sur **Préréglage + / -** pour confirmer.
- 3 Répéter les étapes 1 et 2 pour mémoriser plus de stations (jusqu'à 20 stations FM et 12 stations AM).
- 4 Appuyer sur n'importe quelle touche pour annuler ou quitter la mémorisation d'autres stations.

**Pour trouver les stations mémorisées:**

- 1 Appuyer sur **Préréglage + / -** pour trouver une station mémorisée.
- 2 Appuyer de nouveau sur **Préréglage + / -** pour aller à la station mémorisée suivante. Répéter ces étapes jusqu'à atteindre la station souhaitée.

**Fonctionnement du lecteur de CD**

Cet appareil peut lire des disques audio tels que les CD-R ou CD-RW. Ne pas essayer de lire un CD-ROM, CDi, VCD, DVD ou un CD de données pour PC.



Utiliser un CD revêtu du logo ci-contre. Cet appareil peut lire des CD deux titres de 3 po (8 cm) sans adaptateur (non inclus). Ne pas utiliser d'adaptateur pour CD deux titres avec ces disques.

**Remarque**

Toujours ranger les disques dans leur boîtier. Ne pas exposer les disques à la lumière directe du soleil, de hautes températures, une humidité élevée ou la poussière. Quand le disque est retiré de son boîtier :

- Ne pas toucher la surface enregistrée du côté opposé à l'étiquette du CD
- Ne pas coller de papier sur l'étiquette
- Ne pas plier le CD.

**Fonctionnement du lecteur de CD**

Quand le lecteur de CD est utilisé, l'appui sur une touche permet l'affichage sur l'écran ACL de la commande. Cinq secondes après l'exécution d'une commande, l'écran ACL affiche de nouveau l'horloge.

**Lecture de base d'un CD**

- 1 Appuyer sur **Ouvrir** pour ouvrir le couvercle du compartiment du CD.
- 2 Régler le **Volume +/-** au minimum.
- 3 Retirer le CD de son boîtier, puis l'insérer avec l'étiquette tournée vers le haut.
- 4 Bien fermer le couvercle jusqu'au déclic.
- 5 Appuyer sur **Lecture/Pause** pour commencer la lecture.

**Fonction Lecture/Pause**

Cet appareil n'a pas de touche **ON/OFF** (Mise sous ou hors tension).

**Pour mettre l'appareil sous et hors tension:**

- 1 En mode hors tension, appuyer une fois sur **Attente/Mise sous tension** ou **Lecture/Pause** pour mettre en marche le lecteur de CD. La lecture commencera automatiquement.
- 2 Mettre l'appareil hors tension en appuyant sur la touche **Arrêt**.
- 3 En mode CD :
  - Ouvrir et fermer le couvercle du compartiment du CD et la lecture commence automatiquement.
  - Quand le CD s'arrête, appuyer une fois sur **Lecture/Pause** pour commencer la lecture.
  - Quand le CD est en cours de lecture, appuyer une fois sur **Lecture/Pause** pour arrêter momentanément la lecture.

**Mode de lecture**

- 1 En mode CD, appuyer sur **Mode** pour sélectionner le mode de lecture dans l'ordre suivant :

NORMAL → REPEAT 1 (Répéter 1) → REPEAT ALL (Répéter tout) →  
RANDOM (Aléatoire) → REPEAT ALL RANDOM (Répéter tout en mode

aléatoire) →

- Quand REPEAT 1 (Répéter 1) est activé, l'icône REPEAT clignote.
  - Quand REPEAT ALL (Répéter tout) est activé, l'icône REPEAT s'affiche.
  - Quand RANDOM (Aléatoire) est activé, l'icône RANDOM s'affiche.
  - Quand REPEAT ALL RANDOM (Répéter tout en mode aléatoire) est activé, les icônes RANDOM et REPEAT s'affichent.
- 2 Pour annuler le mode de lecture, appuyer sur **Arrêt** ou passer au mode **Syntoniseur**.
  - 3 Si le mode **Programmation** est activé, le mode aléatoire ne sera pas disponible.

### Mode de programmation

Le mode **Programmation** permet de lire jusqu'à 20 pistes dans l'ordre choisi.

#### Pour utiliser le mode de programmation:

- 1 En mode CD **Arrêt**, appuyer une fois sur **Mémoire/Programmation** pour passer au mode de **Programmation**.
- 2 Appuyer sur **Saut en avant/Syntonisation +** ou **Saut arrière/Syntonisation -** pour sélectionner la piste souhaitée.
- 3 Appuyer de nouveau sur **Mémoire/Programmation** pour mémoriser la piste.
- 4 Répéter les étapes 2 et 3 pour programmer des pistes supplémentaires (jusqu'à 20 pistes).
- 5 Appuyer sur la touche **Lecture/Pause** pour commencer la lecture.
- 6 Appuyer deux fois sur **Arrêt** ou ouvrir le compartiment du CD pour annuler les programmations mémorisées.

#### Recherche/Saut en avant et en arrière

- 1 Appuyer sur **Saut en avant/Syntonisation +** ou **Saut arrière/Syntonisation -** pour aller à la piste suivante (+) ou précédente (-).
- 2 Maintenir appuyé **Saut en avant/Syntonisation +** ou **Saut arrière/Syntonisation -** pour rechercher plus d'une piste en avant (+) ou en arrière (-).
- 3 Relâcher la touche pour revenir au mode de lecture normal.

## Entretien de l'appareil

### Nettoyage du lecteur

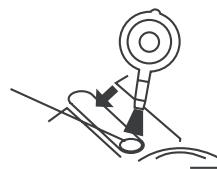
- Essuyer avec un chiffon propre. Si l'appareil est très sale, humidifier le chiffon avec une solution diluée de détergent neutre et d'eau et le nettoyer.

### Nettoyage de la lentille

Une lentille sale provoquera une lecture défectueuse (son irrégulier) et si elle est très sale le CD peut ne pas être lu.

#### Pour nettoyer la lentille:

- 1 Ouvrir le couvercle du CD.



- 2 Pour enlever la poussière ou les particules sèches, utiliser une brosse pneumatique pour lentille d'appareil photo et souffler sur la lentille plusieurs fois.
  - Brosser délicatement la lentille pour enlever la poussière.
  - Souffler une fois de plus sur la lentille pour être sûr que toutes les particules ont été éliminées.
- 3 Si l'utilisation de la brosse pneumatique n'est pas suffisante, passer un coton-tige sec en partant du centre vers la périphérie pour enlever la saleté et les empreintes.

### Nettoyage d'un CD

- Les empreintes digitales et la poussière sur la surface enregistrée doivent être essuyées délicatement avec un chiffon doux. Les essuyer d'un mouvement régulier en partant du centre vers la périphérie.
- Ne jamais utiliser de diluant, benzène, nettoyant pour disques conventionnels ou vaporisateur antistatique sur un CD, cela pourrait endommager la surface en plastique.

## Spécifications

La conception et les spécifications sont sujettes à modifications sans avis préalable.

Spécifications générales	
Système	Lecteur de CD de salon haut de gamme avec syntoniseur
Bornes de sortie	Connecteurs pour les haut-parleurs
Puissance de sortie totale maximale	> 1,8 W x 2
Dimensions	15,35 × 6,7 × 8,7 pouces (389,9 × 170,18 × 221 mm)
Poids	7,7 lb (3,496 kg)

Audio	
Radio :	
Fréquence	FM : 87.5 à 108 MHz AM : 520 à 1 710 MHz
CD :	

Audio	
Fréquence d'échantillonnage	44,1 kHz
Fréquence radio	20 à 20 000 Hz
	Inférieur aux limites mesurables
Nombre de canaux	2 canaux (stéréo)

Sources d'alimentation	
Alimentation	120 V CA 60 Hz
Piles de la télécommande	1,5 V (2)
Consommation électrique	14 W

## Informations sur la garantie

### IGarantie limitée

Insignia Products garantit au premier acheteur de ce produit qu'il sera exempt de défauts de fabrication et de main-d'œuvre pour une période de quatre vingt dix (90) jours à partir de la date d'achat, conformément aux détails ci-dessous :

- 1 MAIN-D'ŒUVRE :** Pendant la période de garantie, si ce produit est considéré comme étant défectueux, Insignia le réparera ou le remplacera, à sa convenance, gratuitement, ou paiera les frais de main-d'œuvre à tout service de réparation agréé par Insignia. Au-delà de la période de garantie, l'utilisateur sera redevable de tous les frais afférents à la main-d'œuvre.
- 2 PIÈCES DÉTACHÉES :** En outre, Insignia fournira gratuitement les pièces détachées neuves ou remises à neuf, en échange des pièces défectueuses pendant la durée de la garantie. À l'expiration de la période de garantie le coût de toute pièce détachée sera à la charge de l'utilisateur.

Pour obtenir le service de la garantie, le produit devra être présenté accompagné du reçu original ou de toute autre preuve d'achat, soit dans son emballage original, soit dans un emballage procurant des conditions identiques de protection, au détaillant le plus proche du magasin ou du site Web où le produit a été acheté.

Cette garantie ne couvre pas les dommages esthétiques, ou ceux résultants de catastrophes naturelles, de la foudre, d'un accident, d'une mauvaise utilisation, de manipulations abusives, de négligence, d'une utilisation commerciale ou d'une modification de tout ou partie du produit, y compris l'antenne. Cette garantie ne couvre aucun dommage ayant pour origine une utilisation ou une maintenance défectueuse, la connexion à une source électrique dont la tension est inadéquate, ou encore toute réparation réalisée par quiconque autre qu'un service de réparation agréé par Insignia. Cette garantie ne couvre pas les produits vendus « EN L'ÉTAT » ou « HORS SERVICE », ou les consommables (tels que les fusibles ou les piles). Cette garantie n'est applicable qu'aux États-Unis et au Canada.

La garantie est annulée si le numéro de série usine a été altéré ou enlevé du produit.

LA RÉPARATION OU LE REMPLACEMENT, TELS QU'OFFERTS PAR CETTE GARANTIE CONSTITUENT LE SEUL RECOURS DU CONSOMMATEUR. INSIGNIA NE POURRA PAS ÊTRE TENU POUR RESPONSABLE DE DOMMAGES ACCESSOIRES OU CONSÉCUTIFS, OU DE L'INEXÉCUTION D'UNE GARANTIE EXPRESSE OU IMPLICITE SUR CE PRODUIT. SAUF POUR LES DISPOSITIONS PROHIBÉES PAR LES LOIS APPLICABLES, TOUTE GARANTIE IMPLICITE DE QUALITÉ MARCHANDE OU D'ADAPTATION À UN USAGE PARTICULIER RELATIVE À CE PRODUIT EST LIMITÉE À LA PÉRIODE DE GARANTIE APPLICABLE TELLE QUE DÉCRITE CI-DESSUS.

Certains états ou provinces ne permettent ni l'exclusion ni la limitation des dommages accessoires ou consécutifs, ni les limitations implicites de durée d'une garantie, de sorte que les limitations ou exclusions énoncées ci-dessus peuvent être nulles dans le cas du premier acheteur. La présente garantie donne au premier acheteur des garanties juridiques spécifiques ; il peut aussi bénéficier d'autres garanties qui varient d'un état ou d'une province à l'autre.

Pour le service à la clientèle, appeler le 1-877-467-4289

[www.insignia-products.com](http://www.insignia-products.com)

Insignia Products, Richfield, Minnesota, U.S.A.

## Droits d'auteurs

© 2006 Insignia. Insignia et le logo Insignia sont des marques de commerce de Best Buy Enterprise Services, Inc. Les autres noms de marques et de produits mentionnés sont des marques de commerce ou des marques déposées de leurs propriétaires respectifs. Les spécifications et caractéristiques sont susceptibles d'être modifiées sans préavis.

Assistance technique : (877) 467-4289

Adresse Web : [www.insignia-products.com](http://www.insignia-products.com)

# Sistema de audio tipo ejecutivo con sintonizador NS-A1112 de Insignia

## Contenido

Introducción .....16  
 Información de seguridad .....16  
 Características .....17  
 Instalación de su sistema de audio tipo ejecutivo .....18  
 Uso del sistema de audio tipo ejecutivo .....19  
 Mantenimiento del sistema de audio tipo ejecutivo .....21  
 Especificaciones .....22  
 Informations sur la garantie .....22  
 Derechos de reproducción .....23


## Introducción

Felicitaciones por su compra de un producto de alta calidad de Insignia. Su sistema de audio tipo ejecutivo con sintonizador NS-A1112 representa el más moderno diseño de sistema estéreo, y está concebido para brindar un rendimiento confiable y sin problemas.

## Información de seguridad


Lea las instrucciones detalladamente antes de hacer funcionar su sistema de audio tipo ejecutivo.

**Advertencia**



Riesgo de choque eléctrico. No abra la unidad. No trate de reparar este sistema de audio tipo ejecutivo usted mismo, ya que abrir o quitar las cubiertas puede exponerlo a voltajes peligrosos u otros peligros. Encomiende todas las reparaciones al personal de servicio calificado.

**Advertencia**



Para reducir el riesgo de incendio o choque eléctrico, no exponga su sistema de audio tipo ejecutivo a la lluvia o humedad. No exponga su sistema de audio tipo ejecutivo a líquidos que gotean o salpican. No coloque objetos llenos de líquidos, tal como vasijas, sobre el sistema de audio tipo ejecutivo.

**Advertencia**



Para evitar un incendio, no coloque una fuente de llama expuesta, tal como una vela encendida, sobre o cerca de su sistema de audio tipo ejecutivo.

**Advertencia**



Deje por lo menos 4 pulgadas (10 cm) de espacio alrededor de su sistema de audio tipo ejecutivo para tener suficiente ventilación. No se debe bloquear las aberturas de ventilación con periódicos, manteles de mesa o cortinas.

**Advertencia**



En caso de humo, ruidos u olores extraños que salgan de su sistema de audio tipo ejecutivo, apáguelo, desconéctelo del tomacorriente y póngase en contacto con su distribuidor o centro de servicio.

**Importante**

Ya que la circuitería del reproductor de CD puede causar interferencia con otros sintonizadores de radio a su alrededor, apague este sistema de audio tipo ejecutivo cuando no se use, o aléjelo del sintonizador de radio afectado. Este sistema de audio tipo ejecutivo satisface la parte 15 del reglamento FCC. Su operación está sujeta a las dos condiciones siguientes: (1) Este dispositivo no puede causar interferencia dañina, y (2) Este dispositivo debe aceptar cualquier interferencia recibida incluyendo interferencias que puedan causar una operación no deseada.

**Nota**

Este equipo ha sido sometido a prueba y se ha determinado que satisface los límites establecidos para ser clasificado como dispositivo digital de la Clase B de acuerdo con la Parte 15 del reglamento FCC. Estos límites se han establecido para proporcionar una protección razonable contra interferencias perjudiciales en una instalación residencial. Este equipo genera, usa y puede emitir energía de radiofrecuencia. Si no se instala y usa de acuerdo con las instrucciones, este aparato puede causar interferencias perjudiciales a las comunicaciones de radio. Sin embargo, no se garantiza que no ocurrirá interferencia en una instalación particular. Si el equipo causa interferencias perjudiciales en la recepción de la señal de radio o televisión, lo cual puede comprobarse encendiéndolo y apagándolo alternativamente, se recomienda al usuario corregir la interferencia mediante uno de los siguientes procedimientos:

- Cambie la orientación o la ubicación de la antena receptora.
- Aumente la distancia entre el equipo y el receptor.
- Conecte el equipo a un tomacorriente de un circuito distinto de aquel al que esta conectado el receptor.
- Solicite consejo al distribuidor o a un técnico experto en radio/TV para obtener ayuda.



### Certificación de seguridad

Este sistema de audio tipo ejecutivo está hecho y probado para cumplir con los estándares de seguridad de los requisitos del FCC y con el rendimiento de seguridad del Departamento Estadounidense de Salud y Servicios Humanos, y también con los estándares de rendimiento 21 CFR, subcapítulo J de la radiación del FDA.



Radiación de láser invisible y peligrosa cuando está abierto y han fallado o se vencieron los seguros. Evite la exposición directa al rayo láser.

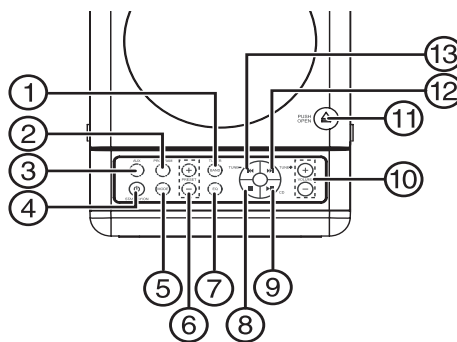
### Seguridad del láser

Este sistema de audio tipo ejecutivo emplea un sistema de rayo láser óptico en el mecanismo del CD, el cual está diseñado con medidas de seguridad integradas. No intente desensamblarlo. Acuda al personal de servicio calificado. La exposición a este rayo de luz láser invisible puede ser dañina para el ojo humano.

Este es un producto láser de Clase 1. El uso de cualquier otro control, ajuste o procedimiento que no sea especificado en este manual puede resultar en una exposición peligrosa al rayo de luz láser.

## Características

### Controles superiores

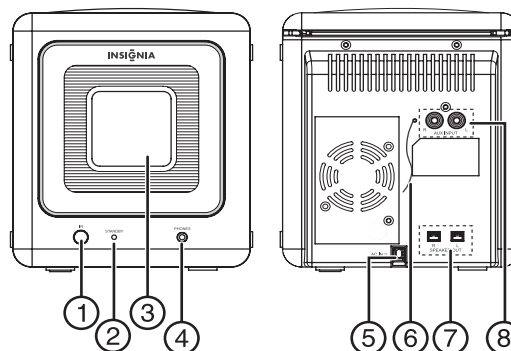


Número	Control
1	Botón de sintonizador/banda
2	Botón de memoria/programación
3	Botón aux.
4	Botón de Standby/encendido
5	Botón de modo
6	Botón de predefinir +/-
7	Botón EQ
8	Botón de detener
9	Botón de reproducir CD/pausa
10	Botón de volumen + / -
11	Botón presionar para abrir
12	Botón de saltar hacia delante/ sintonización +
13	Botón de saltar hacia atrás/ sintonización -

### Precauciones de seguridad

- No abra el gabinete. Encomiende la reparación únicamente a personal calificado.
- No exponga al calor excesivo, luz solar directa, polvo, humedad, vibración o choques.
- Use **únicamente** el adaptador de CA especificado. Si usa otros tipos puede dañar su sistema de audio tipo ejecutivo.
- Desconecte el adaptador de CA del tomacorriente cuando el sistema de audio tipo ejecutivo no se vaya a usar por periodo de tiempo extendido.
- Cuando limpie su sistema de audio tipo ejecutivo, utilice un paño suave seco. No se debe usar solventes o limpiadores disponibles comercialmente ya que estos pueden dañar o decolorar el acabado.
- Evite caminar sobre el cable de alimentación o que este sea aplastado especialmente en los enchufes, los receptáculos y el punto donde éste sale del sistema de audio tipo ejecutivo.
- Use solamente los dispositivos/accesorios especificados por el fabricante.
- Use el sistema de audio tipo ejecutivo solamente con un carro, plataforma, trípode, consola o mesa especificados por Insignia o que se venda con el sistema de audio tipo ejecutivo. Cuando use un carro, tenga cuidado al mover el carro con el sistema de audio tipo ejecutivo para evitar lesiones si el sistema de voltea de lado.
- Este sistema está clasificado como equipo Clase II, lo cual significa que el sistema de estéreo tiene doble aislamiento.

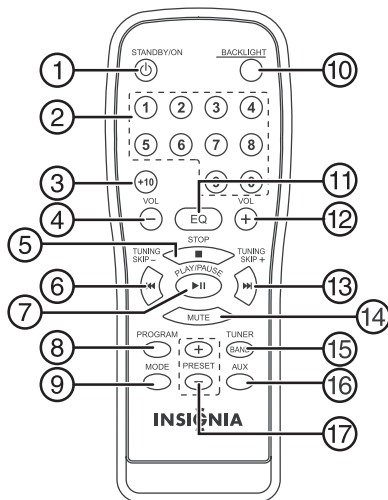
### Controles frontales y posteriores



Número	Control
1	Sensor del control remoto
2	Indicador de Standby

Número	Control
3	Pantalla LCD
4	Conector de audifonos
5	Conector de entrada de CA
6	Antena de cable FM
7	Conexiones de los altavoces
8	Conector de entrada aux.

## Control remoto



Número	Control
1	Botón de Standby
2	Teclado numérico
3	Botón +10
4	Botón de volumen -
5	Botón de detener
6	Botón de saltar - / sintonización
7	Botón de reproducir CD/pausa
8	Botón de programación
9	Botón de modo
10	Botón de luz de retroiluminación
11	Botón EQ
12	Botón de volumen +
13	Botón de saltar + / sintonización +
14	Botón de silenciamiento
15	Botón de sintonizador / banda
16	Botón AUX
17	Botón de predefinir + / -

## Instalación de su sistema de audio tipo ejecutivo

### Desempaque del sistema de audio tipo ejecutivo

#### Cómo desempacar el sistema de audio tipo ejecutivo:

- Desempaque cuidadosamente el sistema estéreo y los altavoces, luego retire todo el material de embalaje situado alrededor del sistema estéreo.
- Coloque el sistema estéreo horizontalmente sobre una base resistente o una superficie nivelada y firme lejos del sistema de altavoces para evitar la retroalimentación acústica.

### Conexión del sistema de audio tipo ejecutivo

#### Cómo conectar el sistema de audio tipo ejecutivo:

- Conecte los cables de la caja de los altavoces a las conexiones de los altavoces situadas en la parte posterior del sistema estéreo.
- Conecte el cable de alimentación de CA a un tomacorriente de CA.

#### NOTA:

Antes de hacer funcionar por primera vez el sistema estéreo en una área nueva, verifique que el voltaje de operación del sistema estéreo sea idéntico al voltaje de su fuente de alimentación local. Este sistema estéreo debe funcionar solamente con el voltaje de fuente de alimentación impreso en el panel posterior. Desconéctelo del tomacorriente cuando no se vaya a usar por un largo período de tiempo.

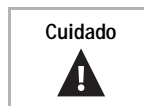
### Preparación del control remoto

#### Instalación de las pilas del control remoto



#### Advertencia

No tire las pilas al fuego. Deseche las pilas usadas como si fuera desperdicios dañinos.

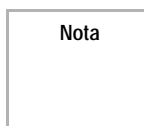


#### Cuidado

No deje caer ni desarme el control remoto. No moje el control remoto.

#### Para instalar las pilas en el control remoto:

- Extraiga la cubierta de las pilas.
- Inserte dos pilas AAA en el compartimiento de pilas. Asegúrese de que los símbolos +/- en la pila hagan juego con las marcas +/- en el compartimiento de las pilas.
- Vuelva a colocar la cubierta de las pilas.



#### Nota

Si el control remoto no se va a usar por un período de tiempo extendido, o si las pilas están agotadas, extraiga las pilas para prevenir derrames.

## Uso del sistema de audio tipo ejecutivo

### Cómo apagar y encender el sistema estéreo

#### Hay varias maneras de encender el sistema de audio tipo ejecutivo:

- 1 Presione **Standby/On** (Standby/encendido) una vez para encender el sistema de estéreo y encender la luz de retroiluminación.

#### Nota:

Cuando la alimentación eléctrica está desconectada, presionar **Backlight** (Luz de retroiluminación) en el control remoto encenderá o apagará la luz de retroiluminación. La luz de retroiluminación se apagará después de apagar el sistema de estéreo.

- 2 Presione **Play/Pause** (Reproducir/pausa) una vez en el sistema de estéreo para leer la tabla de contenido y comenzar la reproducción automáticamente.
- 3 Presione **Tuner/Band** (Sintonizador/banda) una vez para encender el sistema estéreo y restaurar la reproducción de banda y la frecuencia sintonizada cuando se apagó el sistema estéreo.
- 4 Presione **AUX** una vez para encender el sistema estéreo y seleccionar la entrada AUX.

### Uso del control remoto

#### Para cambiar los modos del sistema de audio tipo ejecutivo:

- 1 Presione **Standby/On** (Standby/encendido) en el control remoto para encender la unidad.
- 2 Cuando el control remoto esté activado, presione
  - Presione **Tuner/Band** (Sintonizador/banda) para seleccionar el sintonizador
  - Presione **CD Play/Pause** (Reproducción de CD/pausa) para seleccionar el CD.
  - Presione **AUX** para seleccionar un componente de fuente auxiliar.

#### NOTA:

Cuando use el control remoto y necesite moverse más cerca al sistema de estéreo para que el control remoto funcione, reemplace las dos pilas. El control remoto puede no funcionar correctamente si la luz directa del sol o la luz de una bombilla fluorescente de alta frecuencia ingresa al sensor de luz del control remoto. En este caso, cambie la posición de instalación del sistema para evitar el problema.

### Uso del reloj

Cuando el estéreo está apagado, aparece el reloj en tiempo real en la pantalla LCD.

#### Para ajustar la hora:

- 1 Presione **Mode** (Modo) una vez para entrar al modo de ajuste del reloj. La hora parpadea en la pantalla LCD.
- 2 Presione **Skip Backward/Tuning -** (Saltar hacia atrás/sintonización -) una vez para disminuir la hora.
- 3 Presione **Skip Backward/Tuning +** (Saltar hacia atrás/sintonización +) una vez para aumentar la hora.
- 4 Presione **Volume -** (Volumen -) una vez para disminuir los minutos.

- 5 Presione **Volume +** (Volumen +) una vez para aumentar los minutos.
- 6 Mantenga presionado cualquiera de estos botones durante más de 1 segundo para entrar al modo de ajuste rápido. Después de cambiar la hora, los segundos se restablecen a "00" y el reloj deja de funcionar.
- 7 Para confirmar la hora y salir del modo de ajuste del reloj, presione **Mode** (Modo). El reloj comienza a funcionar.

#### Nota:

Si no hay operación de botón durante 10 segundos, el sistema estéreo automáticamente sale del modo de ajuste del reloj.

### Ajuste del sonido

#### Volumen

##### Para ajustar el volumen:

- 1 Presione **Volume +** (Volumen +) según sea necesario para aumentar el volumen.
- 2 Presione **Volume -** (Volumen -) según sea necesario para disminuir el volumen.

#### Ecualizador predefinido

El ecualizador predefinido proporciona cinco rangos de control (NORMAL, ROCK, JAZZ, POP, Y CLÁSICO) para el espectro de frecuencia de audio en secciones angostas y diferentes.

Presione **EQ** para seleccionar la respuesta más apropiada para su tipo de música y gusto individual.

### Uso de la radio

Después de presionar un botón mientras usa la radio, la pantalla LCD muestra la operación. Cinco segundos después de concluir cualquier operación, la pantalla LCD volverá a mostrar el reloj.

#### Modo de sintonizador

- 1 Presione **Tuner/Band** (Sintonizador/banda) una vez para encender el sistema estéreo y restaurar la reproducción de banda y la frecuencia sintonizada cuando se apagó el sistema estéreo.
- 2 En el modo de sintonizador, presione **Tuner/Band** (Sintonizador/banda) para alternar entre las bandas de AM y FM.
- 3 Con la radio establecida en banda de FM, presione **Mode** (Modo) para alternar entre el modo de estéreo FM o monofónico. Si el modo de estéreo FM está seleccionado, se encenderá el indicador **Stereo** (Estéreo) en la pantalla LCD.

#### Modo de entrada AUX

- 1 Presione **Aux** para seleccionar el modo auxiliar. Los conectores RCA situados en la parte posterior del sistema estéreo pueden usarse para conectar fuentes de audio externas.
- 2 Asegúrese de emparejar el color correcto del enchufe RCA con el color correcto del conector RCA.

## Recepción

### Para ajustar la recepción de FM:

- Eleve y extienda la antena FM, luego ajuste la posición para la mejor recepción. El indicador **Stereo** (Estéreo) aparece en la pantalla LCD sólo si la estación de difusión de estéreo actual está siendo recibida.

### Para ajustar la recepción de AM:

- Puesto que la antena de barra de ferrito incorporada es direccional, gire el sistema estéreo horizontalmente o reubique el sistema para lograr una mejor recepción.

## Sintonización

### Para sintonizar el sistema estéreo manualmente:

- 1 En el modo sintonizador, presione **Skip Forward/Tuning +** (Saltar hacia delante/Sintonización +) para ir a una frecuencia de radio superior un paso de frecuencia a la vez.
- 2 En el modo sintonizador, presione **Skip Backward/Tuning -** (Saltar hacia atrás/Sintonización -) para ir a una frecuencia de radio inferior un paso de frecuencia a la vez.

### Para sintonizar el sistema estéreo automáticamente:

- 1 Mantenga presionado **Skip Forward/Tuning +** (Saltar hacia delante/sintonización +) o **Skip Backward/Tuning -** (Saltar hacia atrás/sintonización -) para hacer una búsqueda automática en la dirección deseada a la velocidad de cuatro pasos de frecuencia por segundo.
- 2 Mantenga presionado el botón para saltar todas las estaciones hasta que suelte el botón. Al soltar el botón, la radio se detiene en la siguiente frecuencia de estación. Cuando la sintonización llega al borde de la banda, el sintonizador regresa al extremo opuesto y continúa buscando.
- 3 Durante la sintonización automática las demás funciones no están disponibles. Para usar otra función durante la sintonización automática, presione **Standby/On** (Standby/encendido) **Play/Pause** (Reproducir/pausa) o **Aux** para cancelar la sintonización automática. A continuación podrá ejecutar otra función.

### Guardar y acceder a canales

Puede programar (guardar) 20 estaciones FM predefinidas y 12 estaciones AM predefinidas.

### Para guardar los ajustes de estación:

- 1 En el modo sintonizador, seleccione la estación que va a guardar, luego presione **Memory/Program** (Memoria/programación) una vez para entrar al modo **Channel Save** (Guardar canal).
- 2 Presione **Memory/Program** (Memoria/programación) nuevamente para guardar el canal en la memoria, luego presione **Preset + / -** (Predefinido +/-) para confirmar la operación.

- 3 Repita los pasos 1 y 2 para introducir más estaciones (hasta 20 estaciones FM y 12 estaciones AM).
- 4 Presione cualquier otro botón para cancelar o salir de la operación de guardar canal.

### Para encontrar las estaciones guardadas:

- 1 Presione **Preset + / -** (Predefinido +/-) para encontrar un canal guardado.
- 2 Presione **Preset + / -** (Predefinido +/-) nuevamente para ir al siguiente canal guardado. Repita el proceso según sea necesario para llegar al canal deseado.

## Uso del CD

Este sistema de audio tipo ejecutivo puede reproducir discos de audio tales como CD-R o CD-RW. No intente reproducir discos CD-ROM, CDi, VCD, DVD o CD de datos para computadora.



Use un CD con el logotipo a la izquierda en este sistema de estéreo. El sistema de audio tipo ejecutivo puede reproducir CD sencillos de 3" (8 cm) sin un adaptador (no incluido). No se debe usar un adaptador para CD sencillos con estos CD.

### Nota

Siempre guarde los discos en sus estuches. No exponga los discos a la luz solar directa, humedad alta, temperatura alta o polvo. Cuando extraiga el disco de su estuche,

- No toque la superficie grabada opuesta al lado de la etiqueta del CD
- No pegue papel en la superficie de la etiqueta
- No doble el CD.

## Operación del reproductor de CD

Cuando use el reproductor de CD, la pantalla LCD mostrará la operación después de presionar un botón. Cinco segundos después de concluir cualquier operación, la pantalla LCD volverá a mostrar el reloj.

### Reproducción básica de CD

- 1 Presione el botón **Push Open** (Presionar para abrir) para abrir la cubierta del compartimiento del CD.
- 2 Ajuste **Volume +/-** (Volumen +/-) al mínimo.
- 3 Extraiga el CD de su estuche de almacenamiento, luego inserte el CD con el lado de la etiqueta hacia arriba.
- 4 Cierre la cubierta seguramente hasta que escuche un clic.
- 5 Presione **Play/Pause (Reproducir/pausa)** para empezar a reproducir.

### Función Reproducir/pausa

Este reproductor de CD no tiene un interruptor de **ON/OFF** (Encendido/apagado).

### Para encender y apagar el reproductor:

- 1 En el modo de apagado, presione **Standby/On** (Standby/encendido) o **Play/Pause** (Reproducir/pausa) una vez para encender el sistema de audio tipo ejecutivo en el modo CD. El sistema de audio tipo ejecutivo comenzará a reproducir automáticamente.
- 2 Apague el reproductor de CD presionando el botón **Stop** (Detener).
- 3 Mientras está en el modo CD:
  - Abra y cierre la puerta del CD para comenzar la reproducción automáticamente.
  - Cuando el CD se detenga, presione **Play/Pause** (Reproducir/pausa) una vez para comenzar la reproducción del CD.
  - Cuando el CD se está reproduciendo, presione **Play/Pause** (Reproducir/pausa) una vez para pausar la reproducción del CD.

### Modo de reproducción

- 1 En el modo CD, presione **Mode** (Modo) para seleccionar el modo de reproducción usando la siguiente secuencia:

NORMAL → REPEAT 1 (REPETIR 1) → REPEAT ALL (REPETIR TODOS) →

RANDOM (ALEATORIO) → REPEAT ALL RANDOM (REPETIR TODOS EN MODO ALEATORIO) →

- Cuando se activa REPEAT 1 (REPETIR 1) el icono REPEAT (REPETIR) parpadea.
  - Cuando se activa REPEAT ALL (REPETIR TODOS), el icono REPEAT (REPETIR) se enciende.
  - Cuando se activa RANDOM (ALEATORIO), el icono RANDOM (ALEATORIO) se enciende.
  - Cuando se activa REPEAT ALL RANDOM (REPETIR TODOS EN MODO ALEATORIO), los iconos RANDOM (ALEATORIO) y REPEAT (REPETIR) se encienden.
- 2 Para borrar el modo de reproducción, presione **Stop** (Detener), o cambie el modo al modo **Tuner** (Sintonizador).
  - 3 Si el modo **Program** (Programación) está activado, el modo al azar no estará activado.

### Modo de programación

El modo **Program** (Programación) le permite reproducir hasta 20 pistas en el orden que usted elija.

### Para usar el modo de programación:

- 1 En el modo **Stop** (Detener) de CD, Presione **Memory/Program** (Memoria/programación) una vez para entrar al modo **Program** (Programación).
- 2 Presione **Skip Forward/Tuning +** (Saltar hacia delante/sintonización +) o **Skip Backward/Tuning -** (Saltar hacia atrás/sintonización -) para seleccionar la pista deseada.
- 3 Presione **Memory/Program** (Memoria/programación) nuevamente para guardar la pista en la memoria.

- 4 Repita los pasos 2 y 3 para introducir más pistas (hasta 20 pistas).
- 5 Presione **Play/Pause** (Reproducir/pausa) para programar la reproducción.
- 6 Presione **Stop** (Detener) dos veces o abra la puerta del CD para borrar las memorias de programación.

### Buscar/saltar hacia delante o hacia atrás

- 1 Presione **Skip Forward/Tuning +** (Saltar hacia delante/sintonización +) o **Skip Backward/Tuning -** (Saltar hacia atrás/sintonización -) para saltar la pista hacia delante (+) o hacia atrás (-).
- 2 Mantenga presionado **Skip Forward/Tuning +** (Saltar hacia delante/sintonización +) o **Skip Backward/Tuning -** (Saltar hacia atrás/sintonización -) para buscar sobre más de una pista hacia delante (+) o hacia atrás (-).
- 3 Suelte el botón para continuar la reproducción normal.

## Mantenimiento del sistema de audio tipo ejecutivo

### Limpeza del reproductor

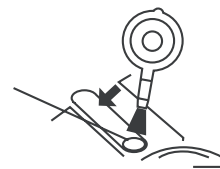
- Limpie la unidad con un paño suave. Si el reproductor está muy sucio, humedezca un paño con una solución suave de detergente neutral y agua, y luego límpielo.

### Limpeza de la lente

Una lente sucia causa saltos de sonido y si está muy sucia, puede que el CD deje de funcionar completamente.

#### Para limpiar la lente:

- 1 Abra la cubierta del CD.



- 2 Para limpiar el polvo o las partículas secas, use un soplador/brocha para lente y sopla la lente varias veces.
  - Limpie la lente suavemente con la brocha para eliminar el polvo.
  - Sopla la lente una vez más para asegurarse de que todas las partículas han desaparecido.
- 3 Si la lente no se puede limpiar usando una brocha/soplador, se puede usar un algodón seco, comenzando desde el centro y limpiando hacia la orilla de afuera para eliminar la suciedad o marcas.

### Limpeza de CD

- Las huellas digitales y el polvo deben eliminarse cuidadosamente de la superficie grabada del CD con un paño suave. Se debe limpiar con un movimiento recto desde el centro hacia la orilla.

- Nunca utilice diluyente, benceno, limpiadores de discos, o aerosoles antiestáticos en un CD ya que dichos productos pueden dañar su superficie plástica.

## Especificaciones

El diseño y las especificaciones están sujetos a cambio sin aviso previo.

Generales	
Sistema	Sistema de audio tipo ejecutivo con sintonizador
Terminal de salida	Conectores de altavoces terminales
Potencia de salida total máxima	> 1.8 W x 2
Dimensiones	15.35 x 6.7 x 8.7 pulgadas (389.9 x 170.18 x 221 mm)
Peso	7.7 lbs. (3.496 kg)

Audio	
Radio:	
Frecuencia	FM: 87.5 - 108 MHz AM: 520 - 1710 MHz
CD:	
Frecuencia de muestreo	44.1 KHz
Frecuencia de radio	20-20,000 Hz
	Debajo de los límites de medición
Número de canales	2 canales (estéreo)

Fuentes de alimentación	
Fuente de alimentación	120 V CA 60 Hz
Pilas del control remoto	1.5 V (2)
Consumo de potencia	14 W

## Informations sur la garantie

### Garantía limitada

Insignia Products le garantiza a usted, el comprador original de este Producto, que éste estará libre de defectos de material o mano de obra por un período de noventa (90) días contados a partir de la fecha de compra como se indica a continuación:

- 1 MANO DE OBRA:** Durante el Período de Garantía, si se encuentra que este producto esta defectuoso, Insignia reparará o reemplazará el Producto, a su discreción sin costo alguno, o pagará los cargos de reparación a un centro autorizado de servicio de Insignia. Después del período de garantía, usted deberá cubrir todos los gastos de mano de obra.
- 2 REPUESTOS:** Además, Insignia proveerá, sin costo alguno, repuestos ya sean nuevos o como nuevos como reemplazo de los componentes que se encuentren defectuosos durante el Período de Garantía. Después del período de garantía, usted deberá cubrir todos los gastos de repuestos.

Para obtener servicio de garantía, usted deberá llevar el Producto junto con su recibo original u otra prueba de compra, ya sea en su empaque original o en un empaque que proporcione el mismo grado de protección, al centro de ventas más cercano de la tienda o sitio Web donde usted compró el Producto. Esta garantía no abarca daños cosméticos, o daños por fuerzas de la naturaleza, rayos, accidentes, uso indebido, abuso, negligencia, uso comercial o modificación de alguna parte del Producto, incluyendo la antena. Esta garantía no abarca daño debido a operación o mantenimiento inadecuado, conexión a una fuente de voltaje inadecuada, o el intento de reparación por parte de cualquier persona excepto un representante autorizado por Insignia para llevar a cabo dicha reparación del Producto. Esta garantía no abarca Productos vendidos que no mantengan las condiciones originales o con falla, o consumibles (tales como fusibles o baterías.) Esta garantía es valida únicamente en Los Estados Unidos de América y Canadá. Esta garantía es inválida si el número de serie aplicado en la fábrica ha sido alterado o removido del Producto. REEMPLAZO O REPARACIÓN PROVEÍDOS MEDIANTE ESTA GARANTÍA SON LA ÚNICA SOLUCIÓN OFRECIDA AL CLIENTE. INSIGNIA NO SERÁ RESPONSABLE POR CUALQUIER DAÑOS INCIDENTALES O DIRECTOS CAUSADOS POR LA VIOLACIÓN DE CUALQUIER GARANTÍA EXPRESA O IMPLÍCITA PARA CON ESTE PRODUCTO. CON EXCEPCIÓN DEL ALCANCE PERMITIDO POR LA LEY, CUALQUIER GARANTÍA IMPLÍCITA, REPRESENTACIÓN O CONDICIÓN DE COMERCIALIZACIÓN O ADECUACIÓN PARA UN FIN DETERMINADO ESTÁ LIMITADA POR LA DURACIÓN DE LA GARANTÍA. Dado que algunos estados o provincias no permiten la exclusión o imposición de limitaciones sobre daños y perjuicios incidentales o directos en

cuanto al tiempo que una garantía implícita durará, es posible que la limitación o exclusión anteriormente indicada no se aplique en su caso. Esta garantía le da derechos legales específicos, y usted puede poseer otros derechos que varían de estado a estado, o provincia a provincia. Para servicio al cliente favor llamar al 1-877-467-4289  
[www.insignia-products.com](http://www.insignia-products.com) Insignia Products, Richfield, Minnesota, U.S.A.

## **Derechos de reproducción**

© 2006 Insignia. Insignia y el logotipo de Insignia son marcas de comercio de Best Buy Enterprise Services, Inc. Otras marcas y nombres de productos son marcas de comercio o marcas registradas de sus dueños respectivos. Las especificaciones y características están sujetas a cambio sin aviso previo u obligación.

Número de asistencia : (877) 467-4289

URL: [www.insignia-products.com](http://www.insignia-products.com)

# INSIGNIA™

**Distributed by Insignia™ Products**  
**Distribué par Insignia™ Products**  
**Distribuido por Insignia™ Products**

7601 Penn Avenue South,  
Richfield, MN USA 55423-3645  
[www.Insignia-Products.com](http://www.Insignia-Products.com)

R1

© 2005 Insignia™ Products

All rights reserved. All other products and brand names are trademarks of their respective owners.

© 2005 produits Insignia™

Tous droits réservés. Tous les autres produits ou noms de marques sont des marques de commerce qui appartiennent à leurs propriétaires respectifs.

© 2005 productos Insignia™

Todos los derechos reservados. Todos los demás productos y marcas son marcas comerciales de sus respectivos dueños.