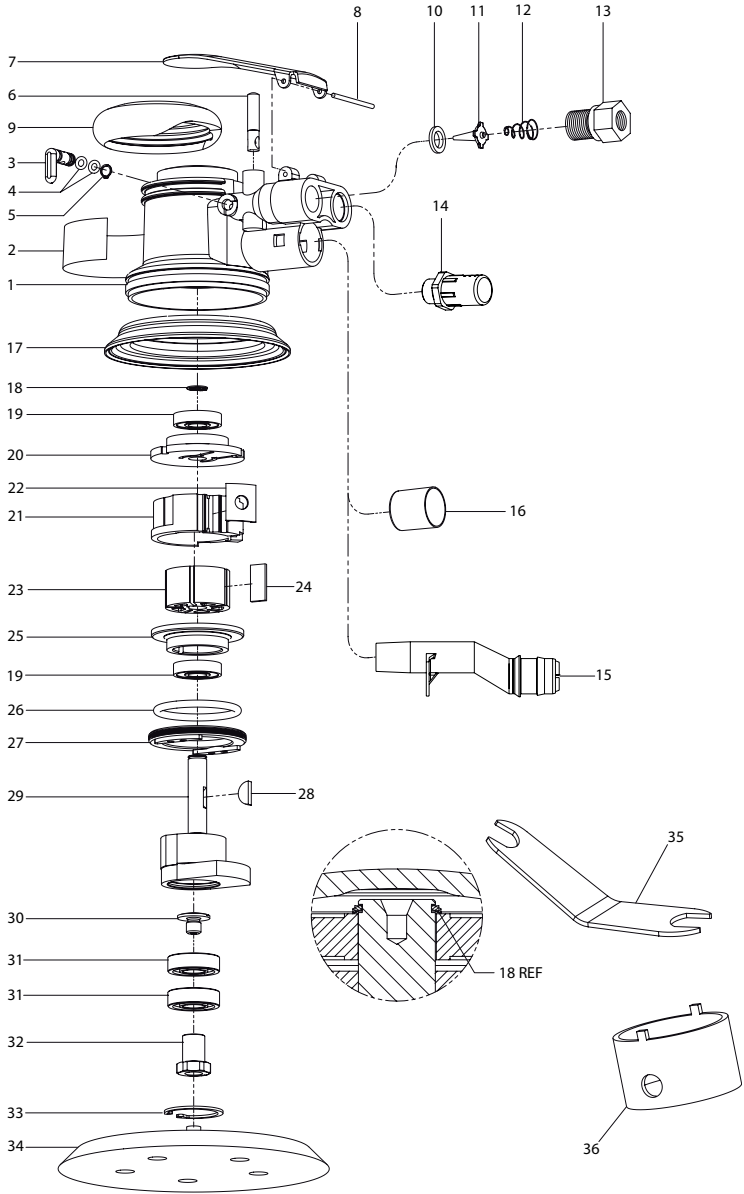


RO2()B - () Series Random Orbital Sander Exploded Diagram



(Dwg. TPA1885)

RO2()B - () Series Random Orbital Sander Parts List

Item	Part Description	Part Number	Item	Part Description	Part Number
1	Housing Assembly	04700753	19	Ball Bearing (2)	04648812
2	Label		20	Rear End Plate	04648945
	5.0"	10548113	21	Cylinder Assembly	04649976
	6.0"	10548105	22	Cylinder Seal	04649042
3	Regulator Assembly	4151-A165	23	Rotor	04648820
4	O-Ring (2)	4151-65	24	Vane (set of 5)	48254-42-5
5	Snap Ring	4151-797	25	Front End Plate	04648929
6	Valve Stem	04648770	26	O-Ring	04649133
7	Lever	04655478	27	Lock Ring	04648853
8	Pin	04649117	28	Key	04648754
9	Grip Ring	49798	29	Counterbalance Assembly	
10	Valve Seat	04648804		for 5" 3/32	80092885
11	Tip Valve	04648796		for 6" 3/32	80090301
12	Spring	04648747		for 5"	80090244
13	Inlet Adapter	04649083		for 6"	80092810
14	Muffler	4151-A810	30	Clamp	R05-747-1
15	Vacuum Adapter (cuff size)		31	Bearing (2)	R05-24-1
	25 mm (1")	4151-A809A-25	32	Spindle	R05-8-1
	28 mm (1-1/8")	4151-A809A-28	33	Retaining Ring	R05-18-1
	32 mm (1-1/4")	4151-A809A-32	34	Sanding Pad	
16	Port Plug	04649059		for 5" Plain Vinyl	49094-1
17	Shroud			for 6" Plain Vinyl	49879-1
	for 5" Short	48266-1		for 5" Vacuum Pad	49096-1
	for 6" Short	48266-1		for 6" Vacuum Pad	VPAD-6
	for 5" Long	48876	35	Pad Wrench	04648739
	for 6" Long	48878	* 36	Motor Wrench	48869
18	Snap Ring	04648762			

* Not included with tool.

Parts and Maintenance

When the life of the tool has expired, it is recommended that the tool be disassembled, degreased and parts be separated by material so that they can be recycled.

Tool repair and maintenance should only be carried out by an authorized Service Center.

Refer all communications to the nearest **Ingersoll Rand** Office or Distributor.

Related Documentation

For additional information refer to:

Product Safety Information Manual 04580387.

Product Information Manual 04578399.

Maintenance Information Manual 16575011.

Manuals can be downloaded from www.irtools.com.