

# OWNER'S MANUAL

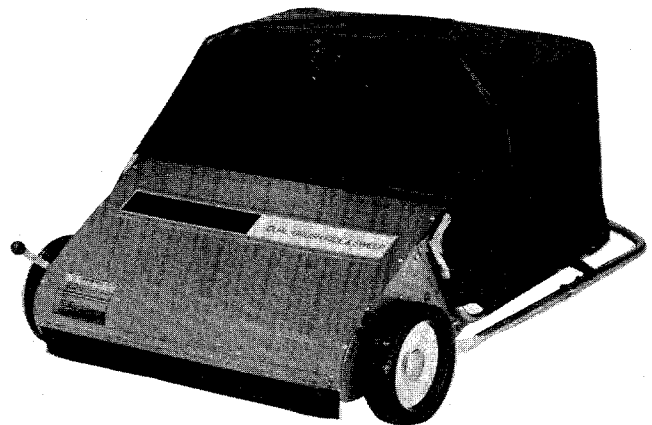
- ASSEMBLY
- OPERATION
- MAINTENANCE
- PARTS LIST

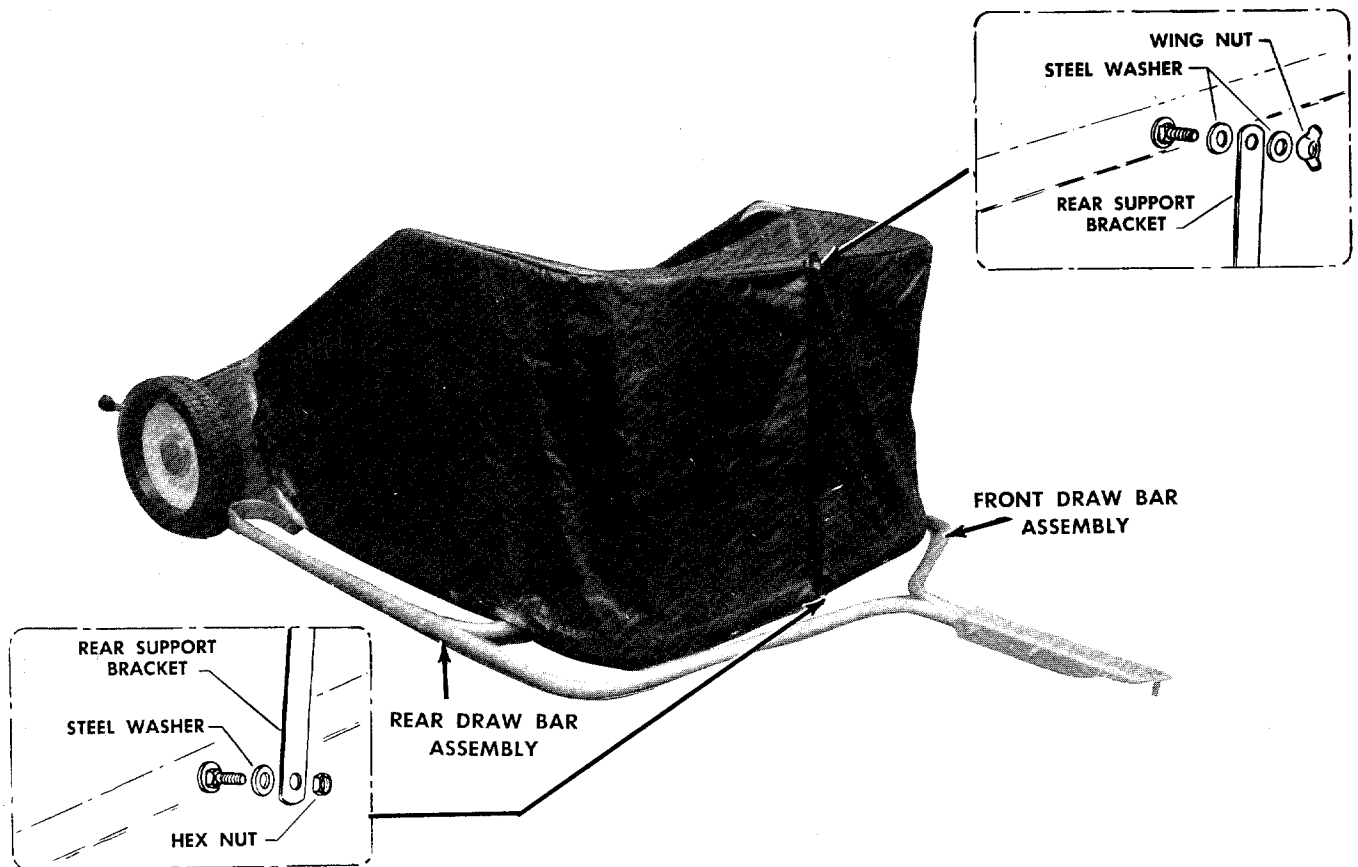
**Model Nos.**  
**19468-6**  
**19468-7**  
**TMO-285A**  
**197-468A**  
**and**  
**63584**

## **Important:**

**Read Safety Rules and  
Instructions Carefully**

# TRAIL SWEEP





## ASSEMBLY

Your Two-Stage Sweeper has been assembled at the factory except for the Front Draw Bar Assembly and the Hopper which has been shipped in the storage position.

To assemble, slide the Front Draw Bar onto the Rear Draw Bar as shown and fasten securely with nuts and bolts provided. To prepare the Hopper for operation, remove the Rear Support Bracket from the underside of the Hopper, and assemble to the Lower Mounting Bolt of the Hopper as shown above. Lift the Upper Frame and assemble the other end of the support to the Top Mounting Bolt as shown.

**For Storage**—The Hopper can be collapsed by removing the support from the Top Mounting Bolt only, allowing the Hopper and support to fold down to the storage position.

## OPERATION

Your Sweeper is a precision piece of equipment. Engineering skill and experience have been combined to provide the ultimate in safety and efficiency. However, as with any type of precision equipment, carelessness or error on the part of

the operator can result in damage to your equipment. Therefore, exercise caution at all times and do not subject your sweeper to misuse.

### SWEEPING SPEED

Your sweeper has been designed to operate at approximately 4½ mph which is a fast walk and in the middle of the range of most riding mower speeds. Varying conditions may dictate another speed and therefore, it is recommended you try sweeping at different speeds to find the one most suited to your conditions.

### BRUSH HEIGHT ADJUSTMENT

To adjust your unit to the best operating height adjustment, press the adjust lever in an outward direction until the trunnion on the adjust lever clears the end plate.

Move the lever UP for greater clearance between lawn and brush or down for less clearance. After the desired clearance is obtained allow the adjust lever to spring back locking the trunnion in the proper positioning hole.

Follow the same procedure for the opposite wheel. See figure 1.

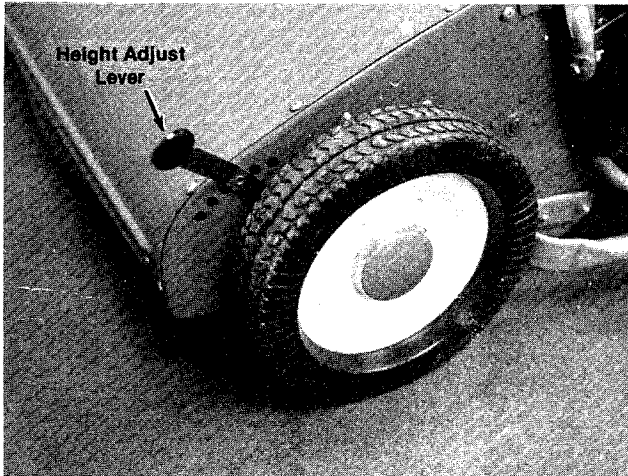


Figure 1

### DUMPING OF SWEEPER

Your sweeper can be dumped very easily without removing or disconnecting a part. Simply lift the hopper as shown and swing it over the sweeper and dump. See figure 2.



### CAUTION

If you are planning on dumping your Sweeper near a fire use care not to get too close, the brushes can be destroyed by excessive heat or flame.



Figure 2

## LUBRICATION

The bearings in your Sweeper have been prelubricated at the factory, however, it is recommended that a few drops of light oil should be added to the impeller and brush shaft bearings twice a year. Also, the wheels and pinions should be removed, the axles cleaned and an even coat of light oil applied. See figure 3.

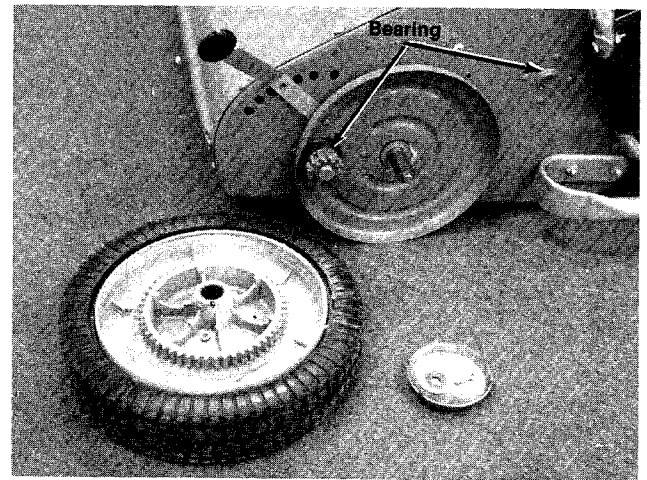
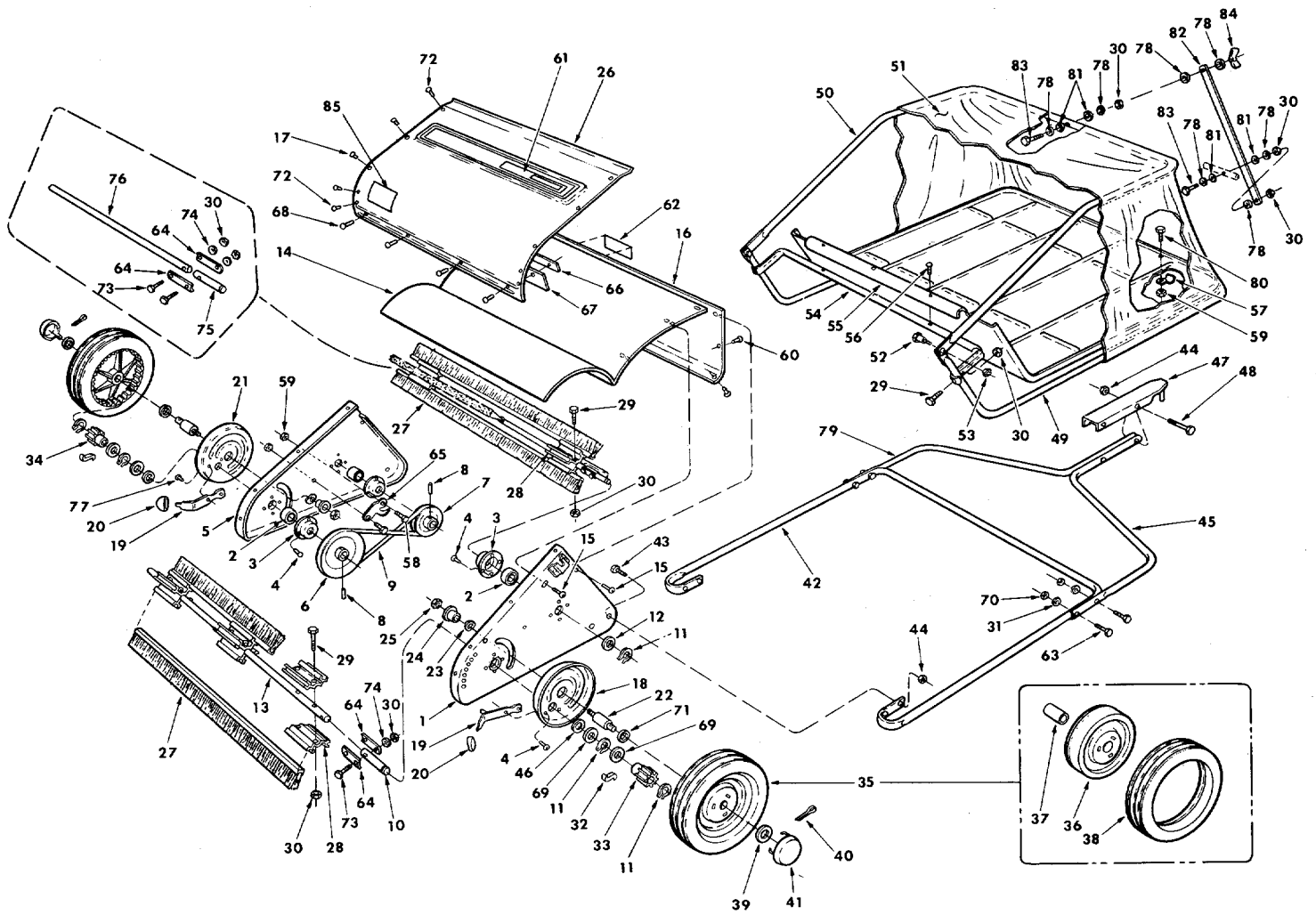


Figure 3

**19468-6**  
**19468-7**  
**TMO-285A**  
**197-468A**  
**and**  
**63584**



**All Unnumbered Parts Interchangeable With  
 Opposite Side.**

**PARTS LIST FOR MODELS 19468-6, 19468-7, TMO-285A, 197-468A AND 63584**

REF. NO.	PART NO.	DESCRIPTION	REF. NO.	PART NO.	DESCRIPTION
1	4111-92	Assembly—End Plate R.H.	*44	1538-6	Nut (5/16-18 Hex Lock)
2	1652-13	Bearing	45	4697-14	Draw—Bar—Front (R.H.)
3	1629-56	Retainer—Bearing	46	1552-14	Washer—Bowed
4	1530-6	Rivet (3/16 Dia. x 5/16)	47	1132-128	Ass'y.—Bracket & Pin
5	4111-91	Assembly—End Plate L.H.	*48	769	Bolt (5/16-18 x 2-5/8 Hex Hd.)
6	2120-69	Assembly—Pulley	49	4647-29	Frame Catcher—Lower
7	2626-74	Pulley	50	4647-30	Frame Catcher—Upper
8	1548-12	Rollpin (.156 Dia. x 1 1/4)	51	0773-13	Basket—Fabric
9	2651-49	Belt (3/8 Round Sect.)	52	1513-87	Bolt—Shoulder (Pivot)
10	1632-229	Shaft—Brush Drive (Short)	*53	1538-13	Nut (3/8-16 Hex Lock)
11	1650-21	Ring—Retainer	54	2603-77	Brace—Frame
12	1540-17	Washer—Flat (5/8 x 15/16 x 1/16)	55	4709-24	Panel—Catcher Bottom
13	2632-231	Shaft—Brush Drive (Long)	*56	1095	Screw (10-32 x 1/2 Philips)
14	4703-24	Baffle—Top	57	1694-26	Clamp
*15	1507-12	Screw (10-32 x 1-1/8 Sems)	*58	1507-6	Bolt (10-32 x 3/8 Truss Hd.)
16	3703-25	Baffle—Front	*59	1534-8	Nut (10-32 Hex Lock)
*17	1507-8	Screw (10-32 x 3/8 Sems)	*60	1507-11	Screw (10-32 x 3/8 Sems)
18	3118-44	Assembly—Dust Cover R.H.	63	1513-93	Bolt (5/16 x 1-3/8 Special)
19	2155-18	Assembly—Wheel Adj. Lever	64	1694-34	Coupling—Half (Clamp)
20	2643-18	Knob—Wheel Adjust	65	2723-4	Scraper—Impeller Pulley
21	3118-45	Assembly—Dust Cover L.H.	66	1629-63	Retainer—Skirt
22	1631-39	Axle—Wheel	67	1693-3	Skirt
23	1552-13	Washer—Bowed	*68	1117	Screw (10-32 x 3/8 Phillips Hd.)
24	1657-45	Bushing—Spacer	*69	1540-125	Washer (.59 x 1-1/8 x .015)
*25	1038	Nut—Hex	*70	70	Nut (5/16-18 Hex)
26	4622-98	Cover—Sweeper	71	1540-32	Washer (.78 x 1-1/4 x .015)
27	2679-2	Ass'y. Brush and Channel	72	1522-1	Screw (10-12 x 5/8 Sheet Metal)
28	2182-7	Assembly—Brush Retainer	73	1509-90	Bolt (1/4-20 x 1 1/4 Hex Hd.)
*29	1509-31	Bolt (1/4-20 x 1-1/8 Hex Hd.)	74	1018	Lockwasher (1/4 Std. Split)
*30	1538-8	Nut (1/4-20 Hex Lock)	75	1632-228	Shaft—Impeller (Short)
31	1025	Washer—Lock (5/16 Split)	76	2632-230	Shaft—Impeller (Long)
32	1671-1	Pawl	77	1530-1	Rivet—(3/16 Dia. x 1/4 Truss Hd.)
33	2692-6	Pinion R.H.	78	1540-81	Washer (17/64 x 3/4 x 1/16)
34	2692-7	Pinion L.H.	79	4697-15	Draw & Bar—Front (L.H.)
35	3108-148	Assembly—Wheel	80	1509-38	Bolt (10-32 x 3/8 Hex Hd.)
36	4636-18	Wheel—Gear & Rim	81	1543-69	Washer (21/64 x 3/4 x 3/32 Nylon)
37	1652-52	Bushing	82	2653-28	Support
38	3619-58	Tire	83	1509-69	Bolt (1/4-20 x 1 3/4 Hex Hd.)
*39	141	Washer (3/8 x 7/8 x 3/16)	84	1539-79	Nut (1/4-20 Wing-Lock)
*40	142	Cotter Pin (1/8 x 5/8)			
41	2674-32	Cap—Hub			
42	4697-13	Draw—Bar—Rear			
*43	1509-44	Bolt (5/16-18 x 3/4 Sem Hex)			

\*Standard Hardware Item—May Be Purchased Locally

