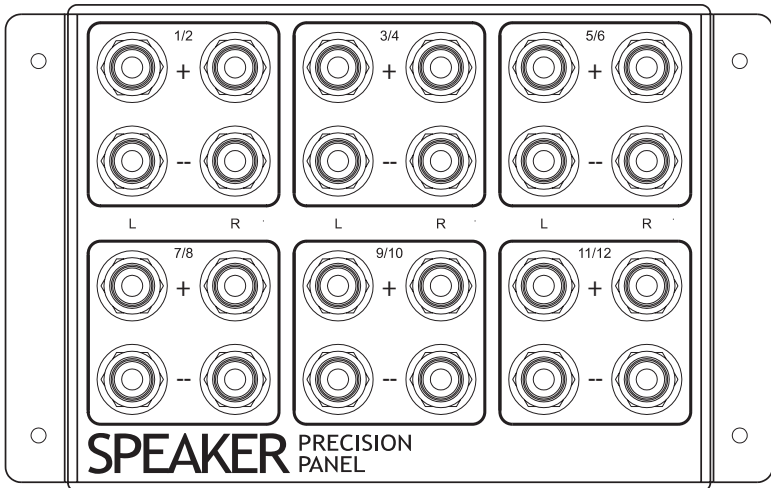


PSP6

SPEAKER PRECISION PANEL



INSTALLATION MANUAL

ELAN

H O M E S Y S T E M S TM

Table of Contents

Introduction	1
Features	1
Installation	2-3
PF2 Precision Panel Frame	2
Mounting the PSP6 to the PF2	2
Trim-Out	3
Connections	4
Warranty	Back Page

Features

- 1/2 Frame Speaker Precision Panel
- Six Gold-Plated Five-Way Binding Posts
- Connect Up To Six Pairs of Speakers
- Fits in PF2 Precision Panel Frame (required for installation)

Introduction

The PSP6 Speaker Precision Panel provides a clean and easy way to connect in-wall wire runs from up to six pairs of speakers (twelve speakers total) to a system's amplifier(s).

The PSP6 features six pairs of gold-plated binding posts that accommodate up to 12 AWG speaker wire, banana plugs, pins, and spade lugs on both front and rear of the panel.

The PSP6 is one of ELAN's 1/2 frame Precision Panels. Two 1/2 frame panels can be mounted in one PF2 Precision Panel Frame, giving the flexibility to mix and match Precision Panels needed to complete a neat, problem-free trim-out.

The PSP6 is perfect when installing Z•660 six-channel power amplifiers!

Installation

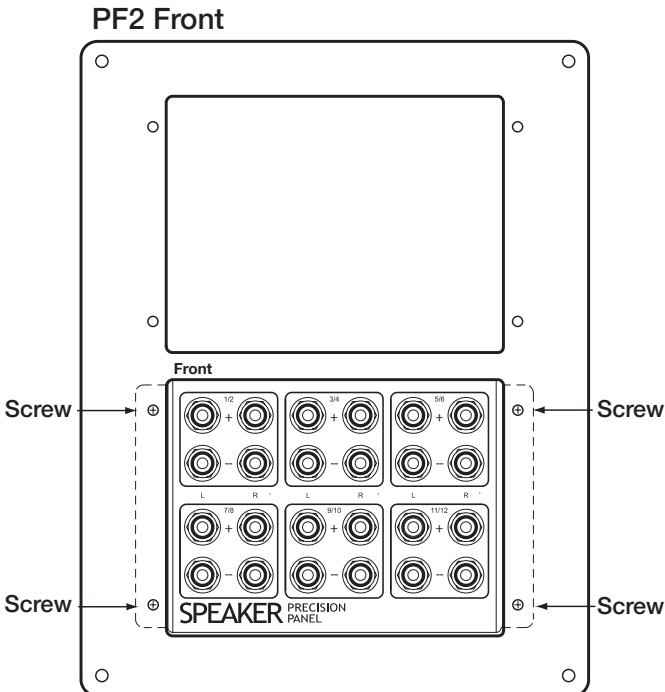
PF2 Precision Panel Frame

The PF2 accommodates any two 1/2 frame Precision Panels. The kit includes a full-size Precision Panel frame, an insert with pre-drilled holes for the mounting of two 1/2 frame Precision Panels, mounting screws, and a blank 1/2 frame plate to cover an unused half of the frame. PBKT6P new-construction brackets are available, or the PF2 can easily be retro-fitted using the four clamping legs attached to the frame, which clamp the panel securely to drywall.

Note: The PF2 is required for the installation of all 1/2 frame Precision Panels.

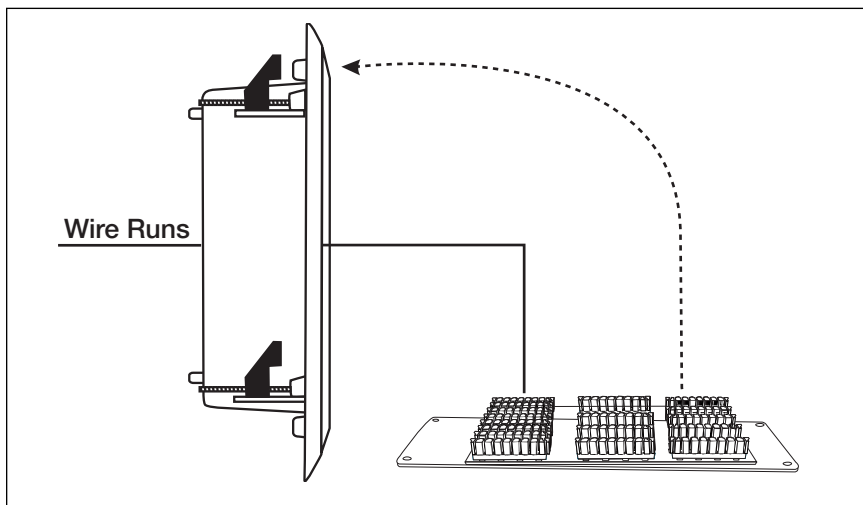
Mounting the PSP6 to the PF2

Each 1/2 frame Precision Panel mounts from the back of the PF2. Use four included screws inserted from the front of the PF2 as shown below.



Installation (continued)**Trim-Out**

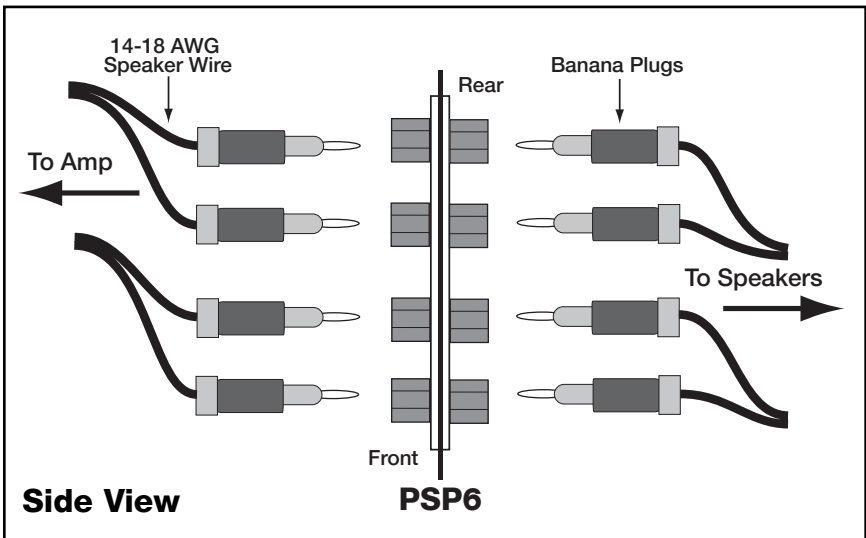
All system wire runs are pulled through the PF2 frame. Lay the PSP6 front panel (attached to the PF2) on the floor in front of the frame and make all connections. Dress the wires in neat bundles and then carefully place the PSP6/PF2 back into the frame and secure using the four included screws.



Connections

Use high-quality speaker cables to connect the binding posts on the front panel of the PSP6 to the speaker terminals on the system's amplifier(s). Make sure that proper +/- polarity is maintained! Connect in-wall speaker wire runs to the binding posts on the rear of the PSP6.

Note: ELAN recommends the use of our **BJACK** banana plugs for quick, sure connection of all speakers!

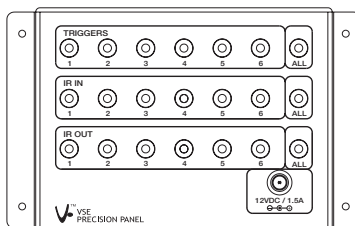


ELAN 1/2 Frame Precision Panels

ELAN's new 1/2 frame Precision Panels save time and make sense out of complex wiring tasks. Add reliability and simplicity to your installs by using them in every job!

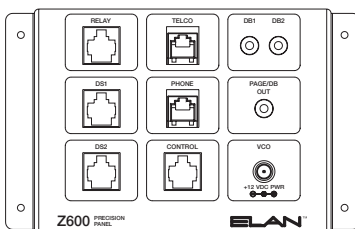
PVSE

The PVSE Precision Panel makes it easy to connect up to six ELAN Electronic Volume Controls to any ELAN system, and is also the perfect trim-out solution for Electronic Volume Controls in any stand-alone system!



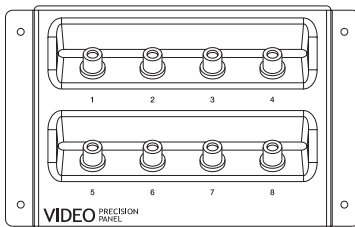
PZ600

The PZ600 Precision Panel allows the connection of phone service, page, Doorbell and Override signals, relays and door stations to the Z•600 Communications Controller and ELAN S Series controllers.



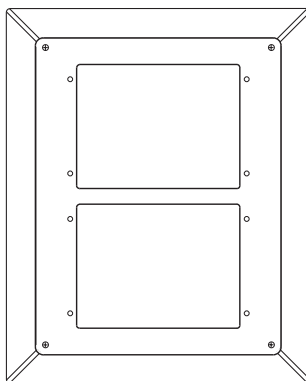
PV8

The PV8 Video Precision Panel provides a clean and easy way to connect up to 8 runs of coaxial cable to the System12 A/V Controller or Z•880 Video Controller.



PF2

The PF2 Precision Panel Frame accommodates any two 1/2 frame Precision panels. This kit includes a full-sized Precision panel frame, a blank 1/2 frame plate to cover any unused half of the frame, and all mounting hardware. Required for use with all 1/2 frame Precision Panels.



Limited Warranty

ELAN HOME SYSTEMS L.L.C. ("ELAN") warrants the PSP6 Precision Panel to be free from defects in materials and workmanship for the period of two years (2 years) from date of purchase. If within the applicable warranty period above purchaser discovers that such item was not as warranted above and promptly notifies ELAN in writing, ELAN shall repair or replace the item at the company's option. This warranty shall not apply (a) to equipment not manufactured by ELAN, (b) to equipment which shall have been installed by other than an ELAN authorized installer, (c) to installed equipment which is not installed to ELAN's specifications, (d) to equipment which shall have been repaired or altered by others than ELAN, (e) to equipment which shall have been subjected to negligence, accident, or damage by circumstances beyond ELAN's control, including, but not limited to, lightning, flood, electrical surge, tornado, earthquake, or other catastrophic events beyond ELAN's control, or to improper operation, maintenance or storage, or to other than normal use of service. With respect to equipment sold by, but not manufactured by ELAN, the warranty obligations of ELAN shall in all respects conform to the warranty actually extended to ELAN by its supplier. The foregoing warranties do not cover reimbursement for labor, transportation, removal, installation or other expenses which may be incurred in connection with repair or replacement.

Except as may be expressly provided and authorized in writing by ELAN, ELAN shall not be subject to any other obligations or liabilities whatsoever with respect to equipment manufactured by ELAN or services rendered by ELAN.

THE FOREGOING WARRANTIES ARE EXCLUSIVE AND IN LIEU OF ALL OTHER EXPRESSED AND IMPLIED WARRANTIES EXCEPT WARRANTIES OF TITLE, INCLUDING BUT NOT LIMITED TO IMPLIED WARRANTIES OF MERCHANTABILITY AND FITNESS FOR A PARTICULAR PURPOSE.

ATTENTION: TO OUR VALUED CONSUMERS

To ensure that consumers obtain quality pre-sale and after-sale support and service, ELAN Home Systems products are sold exclusively through authorized dealers. *ELAN products are not sold online.* The warranties on ELAN products are NOT VALID if the products have been purchased from an unauthorized dealer or an online E-tailer. To determine if your ELAN reseller is authorized, please call ELAN Home Systems at (859) 269-7760.



2428 Palumbo Drive Lexington, KY 40509

www.elanhomesystems.com