

2-STEP WORK STAND WITH TOOL TRAY

Model 91174

ASSEMBLY INSTRUCTIONS



Distributed Exclusively by



**HARBOR FREIGHT
TOOLS**



3491 Mission Oaks Blvd., Camarillo, CA 93011

Visit our Web site at <http://www.harborfreight.com>

Copyright© 2004 by Harbor Freight Tools®. All rights reserved. No portion of this manual or any artwork contained herein may be reproduced in any shape or form without the express written consent of Harbor Freight Tools.

For technical questions and replacement parts, please call 1-800-444-3353

Specifications

Maximum Weight Capacity	Steps: 350 Lbs.; Tray: 50 Lbs.
Tool Tray Lift Range	31-1/2" to 51-3/16"
Tool Tray Size	12" x 11-3/4" x 1" with 15 Holes (various sizes)
Step Sizes	Lower: 15" x 19-11/16"; Upper: 7-7/8" x 19-11/16"
Steel Finish	Red Enamel
Overall Weight	40 Lbs.

Save This Manual

You will need the manual for the safety warnings and precautions, assembly instructions, parts list and diagram. Keep your invoice with this manual. Write the invoice number on the inside of the front cover. Keep the manual and invoice in a safe and dry place for future reference.

Safety Warnings and Precautions

WARNING: When using tool, basic safety precautions should always be followed to reduce the risk of personal injury and damage to equipment.

Read all instructions before using this product!

1. **Keep work area clean.** Cluttered areas invite injuries.
2. **Keep children away.** Children must never be allowed in the work area. Do not let children play with this product.
3. **Store idle equipment.** When not in use, this product must be stored in a dry location to inhibit rust. Always lock up tools and keep out of reach of children.
4. **Dress properly.** Do not wear loose clothing or jewelry as they can be caught in moving parts. Protective, electrically nonconductive clothes and nonskid footwear are recommended when working. Wear restrictive hair covering to contain long hair.
5. **Use eye and ear protection.** Always wear ANSI approved impact safety goggles when working around tools.
6. **Do not overreach.** Keep proper footing and balance at all times.
7. **Use the right tool for the job.** Do not attempt to force a small stand to carry the same weight as a larger stand. There are certain applications for which this product was designed. Do not modify this product and do not use this product for a purpose for which it was not intended.
8. **Stay alert.** Watch what you are doing, use common sense. Do not assemble this product when you are tired.
9. **Check for damaged parts.** Before using any tool, any part that appears damaged should be carefully checked to determine that it will operate properly and perform its intended function. Check for loose parts and any other condition that may affect the operation of this product. Replace loose or worn parts immediately. Any part that is damaged should be properly repaired or replaced by a qualified technician.

10. **Replacement parts.** When servicing, use only identical replacement parts. Use of any other parts will void the warranty.
11. **Do not operate this product if under the influence of alcohol or drugs.** Read warning labels on prescriptions to determine if your judgment or reflexes are impaired while taking drugs. If there is any doubt, do not stand upon or try to assemble this product.
12. **Do not exceed the Maximum Weight capacity for either the Steps or the Tray,** mentioned in the *Specifications* table on page 2.

Caution: Be aware of dynamic loading!

Jumping or bouncing on the Stand may create for a brief instant, an excess load, which may result in damage to the product and/or personal injury.

Warning: The warnings, cautions, and instructions discussed in this instruction manual cannot cover all possible conditions and situations that may occur. It must be understood by the operator that common sense and caution are factors which cannot be built into this product, but must be supplied by the operator.

Unpacking

When unpacking, check to make sure the following parts are included. If any parts are missing or broken, please call Harbor Freight Tools at the number on the cover of this manual.

Assembly Instructions

Note: Assemble on a smooth surface to avoid scratching.

2. Select the Right Leg (4) and Left Leg (7). Attach the Lower Step (5) to the Legs (4 & 7) (the mounting hole for the Post (3) must be on the Right Leg's (4) side-**see Figure A**) by matching up the holes and securing with Bolts (14), Lock Washers (17), Washers (16) and Nuts (15). Finger tighten.
3. Attach the Upper Step (6) as in step #2. Tighten all hardware. **See Figure A.**

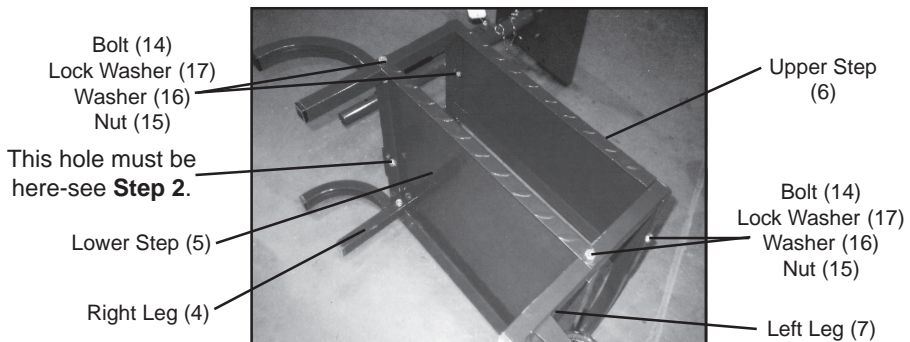


Figure A
Page 3

4. Fit the Wheel (8) on the outside of the Left Leg (7) inside the bracket. Position the Bolt (12) through the bracket on Leg (7), the Wheel (8), and the other side of the bracket. Tighten with the Nylon Nut (18) on the inside of the Work Stand. Repeat on the other side of the Leg (7). **See Figure B.**

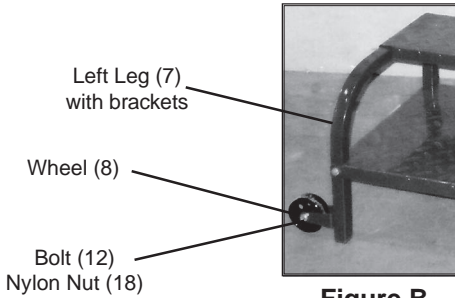


Figure B

5. The Post (3) is mounted on the Right Leg (4) with Bolts (12) in the two upper holes in the Post plate. The Bolt (13) goes in the lower hole. Attach all with Washers (16), Lock Washers (17) and Nuts (15). **See Figure C .**

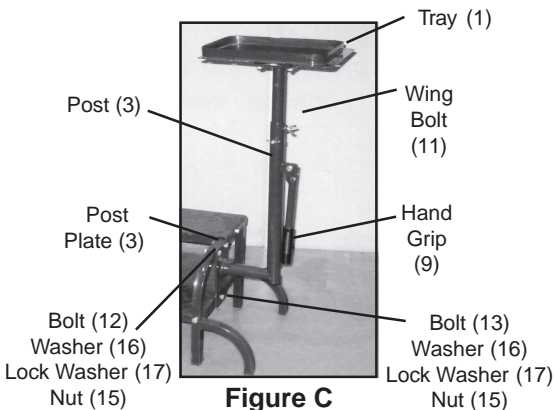


Figure C

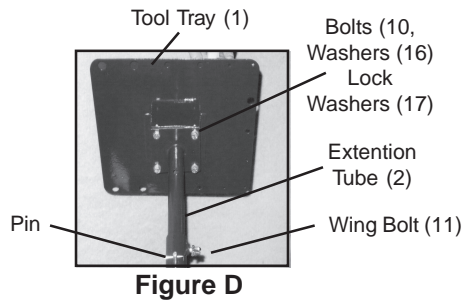


Figure D

6. The Tool Tray (1) needs to be connected to the Extension Tube (2). Use Bolts (10), Washers (16), and Lock Washers (17) to attach the Tray and tighten all hardware. **See Figure D.** Once the Tool Tray (1) is connected to the Extension Tube (2), the Tube can be slipped into the Post (3). Choose the height you want the Tool Tray at, line up the hole in the Extension Tube (2) to the hole in the Post (3), tighten the Wing Nut (11), and use the Pin on the Post (3) to lock in position. **See Figures C & D.**

Note: Do not place any weight on the Tool Tray (1) unless the Pin is in place.

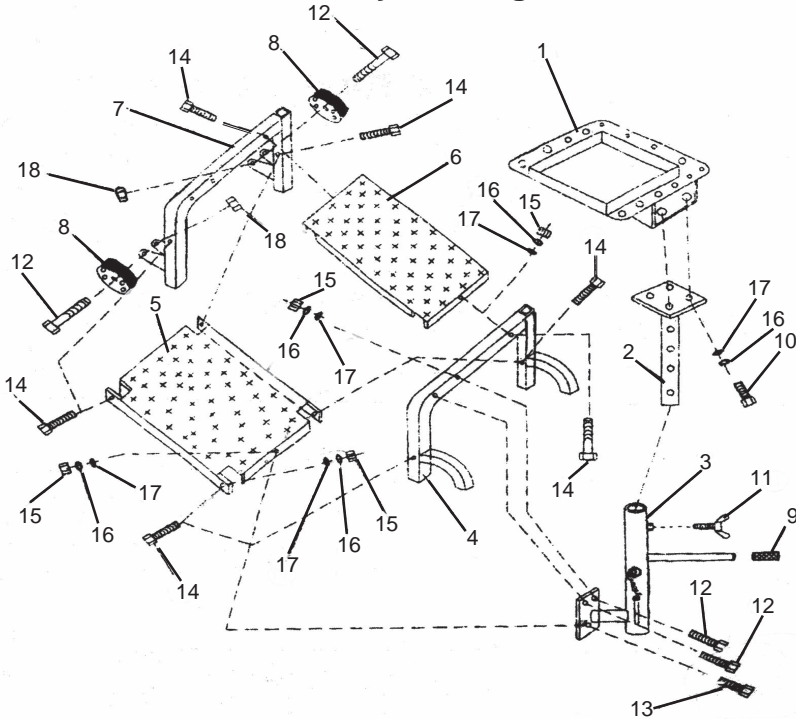
7. Place Rubber Stoppers (not shown) on the end of each leg.
8. The Handle (9) is used for transporting the Work Station with Tool Tray. Do not have any objects on the Tray when moving it from one area to another.

Parts List

Part #	Description	Qty.
1	Tool Tray	1
2	Extension Tube	1
3	Post	1
4	Right Leg	1
5	Lower Step	1
6	Upper Step	1
7	Left Leg	1
8	3" Wheel	2
9	Hand Grip	1

Part #	Description	Qty.
10	Tray Bolt	4
11	Wing Bolt	1
12	Bolt	4
13	Bolt	1
14	Step Bolt	6
15	Nut	8
16	Washer	12
17	Lock Washer	12
18	Nylon Nut	2

Assembly Drawing



PLEASE READ THE FOLLOWING CAREFULLY

THE MANUFACTURER AND/OR DISTRIBUTOR HAS PROVIDED THE PARTS DIAGRAM IN THIS MANUAL AS A REFERENCE TOOL ONLY. NEITHER THE MANUFACTURER NOR DISTRIBUTOR MAKES ANY REPRESENTATION OR WARRANTY OF ANY KIND TO THE BUYER THAT HE OR SHE IS QUALIFIED TO MAKE ANY REPAIRS TO THE PRODUCT OR THAT HE OR SHE IS QUALIFIED TO REPLACE ANY PARTS OF THE PRODUCT. IN FACT, THE MANUFACTURER AND/OR DISTRIBUTOR EXPRESSLY STATES THAT ALL REPAIRS AND PARTS REPLACEMENTS SHOULD BE UNDERTAKEN BY CERTIFIED AND LICENSED TECHNICIANS AND NOT BY THE BUYER. THE BUYER ASSUMES ALL RISK AND LIABILITY ARISING OUT OF HIS OR HER REPAIRS TO THE ORIGINAL PRODUCT OR REPLACEMENT PARTS THERETO, OR ARISING OUT OF HIS OR HER INSTALLATION OF REPLACEMENT PARTS THERETO.

NOTE: Some parts are listed and shown for illustration purposes only and are not available individually as replacement parts.