

OPERATION AND PARTS MANUAL



MQ POWER[®]
MODEL DCA25USIXF
MODEL DCA25USI2XF
60 Hz GENERATOR

PARTS LIST NO. M1873400004A (DCA-25USI)
PARTS LIST NO. M1873400204A (DCA-25USI2)

Revision #2 (07/26/11)

To find the latest revision of this
publication, visit our website at:
www.multiquip.com



THIS MANUAL MUST ACCOMPANY THE EQUIPMENT AT ALL TIMES.



WARNING



CALIFORNIA — Proposition 65 Warning

Diesel engine exhaust and some of its constituents are known to the State of California to cause cancer, birth defects and other reproductive harm.

TABLE OF CONTENTS

DCA25USIXF/DCA25USI2XF 60 HZ ULTRA-SILENT GENERATORS

Proposition 65 Warning	2
Table Of Contents	3
Parts Ordering Procedures	4
Specifications	5
Dimensions(Top, Side, Front)	6
Safety Message Alert Symbols	7-8
Rules for Safe Operation	9-13
Generator Decals	14-15
Installation	16-17
General Information	18
Major Components	19
Generator Control Panel	20
Engine Operating Panel	21
Output Terminal Panel Familiarization	22-24
Load Application	25
Gauge Reading/Terminal Panel Connections	26-27
Output Terminal Panel Connections	28-29
Setup	30-33
Generator Start-up Procedure	34-36
Generator Shut-down Procedure	37
Maintenance	38-39
Trailer Maintenance	40-42
Trailer Wiring Diagram	43
Engine Wiring Diagram	44-45
Generator Wiring Diagram	46
Engine Troubleshooting	47-48
Generator Troubleshooting	49
Explanation of Code in Remarks Column	50
Suggested Spare Parts	51

COMPONENT DRAWINGS

Generator Assembly	52-53
Control Box Assembly, DCA-25USI	54-57
Control Box Assembly, DCA-25USI	58-61
Engine and Radiator Assembly, DCA-25USI	58-61
Engine and Radiator Assembly, DCA-25USI2	66-69
Output Terminal Assembly	70-71
Battery Assembly	72-73
Muffler Assembly, DCA-25USI	74-75
Muffler Assembly, DCA-25USI2	76-77
Fuel Tank Assembly	78-79
Enclosure Assembly, DCA-25USI	80-85
Enclosure Assembly, DCA-25USI2	86-91
Rubber Seals Assembly	92-93
Nameplate and Decals	94-95
Terms and Condition of Sale — Parts	80

NOTICE

Specification and part number are subject to change without notice.

PARTS ORDERING PROCEDURES

www.multiquip.com

Ordering parts has never been easier! Choose from three easy options:

Effective:
January 1st, 2006



Order via Internet (Dealers Only):

Order parts on-line using Multiquip's SmartEquip website!

- View Parts Diagrams
- Order Parts
- Print Specification Information



If you have an MQ Account, to obtain a Username and Password, E-mail us at: parts@multiquip.com.

To obtain an MQ Account, contact your District Sales Manager for more information.

Goto www.multiquip.com and click on **Order Parts** to log in and save!

Use the **internet** and qualify for a **5% Discount** on *Standard orders* for all orders which include complete part numbers.*

Note: Discounts Are Subject To Change



Order via Fax (Dealers Only):

All customers are welcome to order parts via Fax.

Domestic (US) Customers dial:
1-800-6-PARTS-7 (800-672-7877)

Fax your order in and qualify for a **2% Discount** on *Standard orders* for all orders which include complete part numbers.*

Note: Discounts Are Subject To Change



Order via Phone: Domestic (US) Dealers Call:
1-800-427-1244

Non-Dealer Customers:

Contact your local Multiquip Dealer for parts or call 800-427-1244 for help in locating a dealer near you.



International Customers should contact their local Multiquip Representatives for Parts Ordering information.

When ordering parts, please supply:

- | | |
|-------------------------------------------------------------------------------|----------------------------------------------------------------------------------------|
| <input type="checkbox"/> Dealer Account Number | <input type="checkbox"/> Specify Preferred Method of Shipment: |
| <input type="checkbox"/> Dealer Name and Address | <input checked="" type="checkbox"/> UPS/Fed Ex <input checked="" type="checkbox"/> DHL |
| <input type="checkbox"/> Shipping Address (if different than billing address) | <input type="checkbox"/> Priority One <input checked="" type="checkbox"/> Truck |
| <input type="checkbox"/> Return Fax Number | <input type="checkbox"/> Ground |
| <input type="checkbox"/> Applicable Model Number | <input type="checkbox"/> Next Day |
| <input type="checkbox"/> Quantity, Part Number and Description of Each Part | <input type="checkbox"/> Second/Third Day |

NOTICE

All orders are treated as *Standard Orders* and will ship the same day if received prior to 3PM PST.

WE ACCEPT ALL MAJOR CREDIT CARDS!




SAFETY INFORMATION

Do not operate or service the equipment before reading the entire manual. Safety precautions should be followed at all times when operating this equipment. Failure to read and understand the safety messages and operating instructions could result in injury to yourself and others.


SAFETY MESSAGES

The four safety messages shown below will inform you about potential hazards that could injure you or others. The safety messages specifically address the level of exposure to the operator and are preceded by one of four words: **DANGER**, **WARNING**, **CAUTION** or **NOTICE**.


SAFETY SYMBOLS

 **DANGER**

Indicates a hazardous situation which, if not avoided, **WILL** result in **DEATH** or **SERIOUS INJURY**.

 **WARNING**

Indicates a hazardous situation which, if not avoided, **COULD** result in **DEATH** or **SERIOUS INJURY**.








 **CAUTION**

Indicates a hazardous situation which, if not avoided, **COULD** result in **MINOR** or **MODERATE INJURY**.

NOTICE

Addresses practices not related to personal injury.

Potential hazards associated with the operation of this equipment will be referenced with hazard symbols which may appear throughout this manual in conjunction with safety messages.

Symbol	Safety Hazard
	Lethal exhaust gas hazards
	Explosive fuel hazards
	Burn hazards
	Overspeed hazards
	Rotating parts hazards
	Pressurized fluid hazards
	Electric shock hazards

SAFETY INFORMATION

GENERAL SAFETY

⚠ CAUTION

- **NEVER** operate this equipment without proper protective clothing, shatterproof glasses, respiratory protection, hearing protection, steel-toed boots and other protective devices required by the job or city and state regulations.



- **NEVER** operate this equipment when not feeling well due to fatigue, illness or when under medication.



- **NEVER** operate this equipment under the influence of drugs or alcohol.



- **ALWAYS** check the equipment for loosened threads or bolts before starting.
- **DO NOT** use the equipment for any purpose other than its intended purposes or applications.

NOTICE

- This equipment should only be operated by trained and qualified personnel 18 years of age and older.
- Whenever necessary, replace nameplate, operation and safety decals when they become difficult to read.
- Manufacturer does not assume responsibility for any accident due to equipment modifications. Unauthorized equipment modification will void all warranties.

- **NEVER** use accessories or attachments that are not recommended by Multiquip for this equipment. Damage to the equipment and/or injury to user may result.

- **ALWAYS** know the location of the nearest **fire extinguisher**.



- **ALWAYS** know the location of the nearest **first aid kit**.



- **ALWAYS** know the location of the nearest phone or **keep a phone on the job site**. Also, know the phone numbers of the nearest **ambulance, doctor and fire department**. This information will be invaluable in the case of an emergency.



GENERATOR SAFETY

⚠ DANGER

- **NEVER** operate the equipment in an explosive atmosphere or near combustible materials. An explosion or fire could result causing severe **bodily harm or even death**.



⚠ WARNING

- **NEVER** disconnect any **emergency or safety devices**. These devices are intended for operator safety. Disconnection of these devices can cause severe injury, bodily harm or even death. Disconnection of any of these devices will void all warranties.

⚠ CAUTION

- **NEVER** lubricate components or attempt service on a running machine.

NOTICE

- **ALWAYS** ensure generator is on level ground before use.
- **ALWAYS** keep the machine in proper running condition.
- Fix damage to machine and replace any broken parts immediately.
- **ALWAYS** store equipment properly when it is not being used. Equipment should be stored in a clean, dry location out of the reach of children and unauthorized personnel.

SAFETY INFORMATION

ENGINE SAFETY

DANGER

- The engine fuel exhaust gases contain poisonous carbon monoxide. This gas is colorless and odorless, and can cause death if inhaled.
- The engine of this equipment requires an adequate free flow of cooling air. **NEVER** operate this equipment in any enclosed or narrow area where free flow of the air is restricted. If the air flow is restricted it will cause injury to people and property and serious damage to the equipment or engine.



WARNING

- **DO NOT** place hands or fingers inside engine compartment when engine is running.
- **NEVER** operate the engine with heat shields or guards removed.
- Keep fingers, hands hair and clothing away from all moving parts to prevent injury.
- **DO NOT** remove the radiator cap while the engine is hot. High pressure boiling water will gush out of the radiator and severely scald any persons in the general area of the generator.
- **DO NOT** remove the coolant drain plug while the engine is hot. Hot coolant will gush out of the coolant tank and severely scald any persons in the general area of the generator.
- **DO NOT** remove the engine oil drain plug while the engine is hot. Hot oil will gush out of the oil tank and severely scald any persons in the general area of the generator.



CAUTION

- **NEVER** touch the hot exhaust manifold, muffler or cylinder. Allow these parts to cool before servicing equipment.



NOTICE

- **NEVER** run engine without an air filter or with a dirty air filter. Severe engine damage may occur. Service air filter frequently to prevent engine malfunction.
- **NEVER** tamper with the factory settings of the engine or engine governor. Damage to the engine or equipment can result if operating in speed ranges above the maximum allowable.
- Wet stacking is a common problem with diesel engines which are operated for extended periods with light or no load applied. When a diesel engine operates without sufficient load (less than 40% of the rated output), it will not operate at its optimum temperature. This will allow unburned fuel to accumulate in the exhaust system, which can foul the fuel injectors, engine valves and exhaust system, including turbochargers, and reduce the operating performance.



In order for a diesel engine to operate at peak efficiency, it must be able to provide fuel and air in the proper ratio and at a high enough engine temperature for the engine to completely burn all of the fuel.

Wet stacking does not usually cause any permanent damage and can be alleviated if additional load is applied to relieve the condition. It can reduce the system performance and increase maintenance. Applying an increasing load over a period of time until the excess fuel is burned off and the system capacity is reached usually can repair the condition. This can take several hours to burn off the accumulated unburned fuel.

- State Health Safety Codes and Public Resources Codes specify that in certain locations, spark arresters must be used on internal combustion engines that use hydrocarbon fuels. A spark arrester is a device designed to prevent accidental discharge of sparks or flames from the engine exhaust. Spark arresters are qualified and rated by the United States Forest Service for this purpose. In order to comply with local laws regarding spark arresters, consult the engine distributor or the local Health and Safety Administrator.

SAFETY INFORMATION

FUEL SAFETY

DANGER

- **DO NOT** start the engine near spilled fuel or combustible fluids. Diesel fuel is extremely flammable and its vapors can cause an explosion if ignited.
- **ALWAYS** refuel in a well-ventilated area, away from sparks and open flames.
- **ALWAYS** use extreme caution when working with **flammable** liquids.
- **DO NOT** fill the fuel tank while the engine is running or hot.
- **DO NOT** overfill tank, since spilled fuel could ignite if it comes into contact with hot engine parts or sparks from the ignition system.
- Store fuel in appropriate containers, in well-ventilated areas and away from sparks and flames.
- **NEVER** use fuel as a cleaning agent.
- **DO NOT** smoke around or near the equipment. Fire or explosion could result from fuel vapors or if fuel is spilled on a hot engine.



TOWING SAFETY

CAUTION

- Check with your local county or state safety towing regulations, in addition to meeting **Department of Transportation (DOT) Safety Towing Regulations**, before towing your generator.
- Refer to MQ Power trailer manual for additional safety information.
- In order to reduce the possibility of an accident while transporting the generator on public roads, **ALWAYS** make sure the trailer that supports the generator and the towing vehicle are mechanically sound and in good operating condition.
- **ALWAYS** shutdown engine before transporting



- Make sure the hitch and coupling of the towing vehicle are rated equal to, or greater than the trailer “gross vehicle weight rating.”
- **ALWAYS** inspect the hitch and coupling for wear. **NEVER** tow a trailer with defective hitches, couplings, chains, etc.
- Check the tire air pressure on both towing vehicle and trailer. **Trailer tires should be inflated to 50 psi cold.** Also check the tire tread wear on both vehicles.
- **ALWAYS** make sure the trailer is equipped with a **safety chain**.
- **ALWAYS** properly attach trailer’s safety chains to towing vehicle.
- **ALWAYS** make sure the vehicle and trailer directional, backup, brake and trailer lights are connected and working properly.
- DOT Requirements include the following:
 - Connect and test electric brake operation.
 - Secure portable power cables in cable tray with tie wraps.
- The maximum speed for highway towing is **55 MPH** unless posted otherwise. Recommended off-road towing is not to exceed **15 MPH** or less depending on type of terrain.
- Avoid sudden stops and starts. This can cause skidding, or jack-knifing. Smooth, gradual starts and stops will improve towing.
- Avoid sharp turns to prevent rolling.
- Trailer should be adjusted to a level position at all times when towing.
- Raise and lock trailer wheel stand in up position when towing.
- Place **chock blocks** underneath wheel to prevent **rolling** while parked.
- Place **support blocks** underneath the trailer’s bumper to prevent **tipping** while parked.
- Use the trailer’s swivel jack to adjust the trailer height to a level position while parked.

SAFETY INFORMATION

ELECTRICAL SAFETY

DANGER

- **DO NOT** touch output terminals during operation. Contact with output terminals during operation can cause **electrocution, electrical shock or burn.**



- The electrical voltage required to operate the generator can cause severe injury or even death through physical contact with live circuits. Turn generator and all circuit breakers **OFF** before performing maintenance on the generator or making contact with output terminals.

- **NEVER** insert any objects into the output receptacles during operation. This is extremely dangerous. The possibility exists of **electrical shock, electrocution or death.**



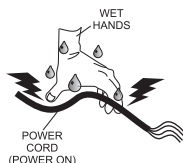
- Backfeed to a utility system can cause **electrocution** and/or property damage. **NEVER** connect the generator to a building's electrical system without a transfer switch or other approved device. All installations should be performed by a **licensed electrician** in accordance with all applicable laws and electrical codes. Failure to do so could result in electrical shock or burn, causing **serious injury or even death.**



Power Cord/Cable Safety

DANGER

- **NEVER** let power cords or cables **lay in water.**
- **NEVER** stand in water while AC power from the generator is being transferred to a load.
- **NEVER** use **damaged** or **worn** cables or cords when connecting equipment to generator. Inspect for cuts in the insulation.
- **NEVER** grab or touch a live power cord or cable with wet hands. The possibility exists of **electrical shock, electrocution or death.**



- Make sure power cables are securely connected to the generator's output receptacles. Incorrect connections may cause electrical shock and damage to the generator.

NOTICE

- **ALWAYS** make certain that proper power or extension cord has been selected for the job. See Cable Selection Chart in this manual.

Grounding Safety

DANGER

- **ALWAYS** make sure that electrical circuits are properly grounded to a suitable earth ground (ground rod) per the National Electrical Code (NEC) and local codes before operating generator. **Severe injury or death by electrocution** can result from operating an ungrounded generator.
- **NEVER** use gas piping as an electrical ground.

SAFETY INFORMATION

BATTERY SAFETY

DANGER

- **DO NOT** drop the battery. There is a possibility that the battery will explode.
- **DO NOT** expose the battery to open flames, sparks, cigarettes, etc. The battery contains combustible gases and liquids. If these gases and liquids come into contact with a flame or spark, an explosion could occur.



WARNING

- **ALWAYS** wear safety glasses when handling the battery to avoid eye irritation. The battery contains acids that can cause injury to the eyes and skin.
- Use well-insulated gloves when picking up the battery.
- **ALWAYS** keep the battery charged. If the battery is not charged, combustible gas will build up.
- **ALWAYS** recharge the battery in a well-ventilated environment to avoid the risk of a dangerous concentration of combustible gasses.
- If the battery liquid (dilute sulfuric acid) comes into contact with **clothing or skin**, rinse skin or clothing immediately with plenty of water.
- If the battery liquid (dilute sulfuric acid) comes into contact with **eyes**, rinse eyes immediately with plenty of water and contact the nearest doctor or hospital to seek medical attention.



CAUTION

- **ALWAYS** disconnect the **NEGATIVE** battery terminal before performing service on the generator.
- **ALWAYS** keep battery cables in good working condition. Repair or replace all worn cables.

ENVIRONMENTAL SAFETY

NOTICE

- Dispose of hazardous waste properly. Examples of potentially hazardous waste are used motor oil, fuel and fuel filters.
- **DO NOT** use food or plastic containers to dispose of hazardous waste.
- **DO NOT** pour waste, oil or fuel directly onto the ground, down a drain or into any water source.

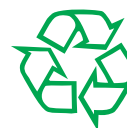


Table 1. Generator Specifications

Model	DCA-25USIXF/DCA-25USI2XF	
Type	Revolving field, self ventilated, open protected type synchronous generator	
Armature Connection	Star with Neutral	Zig Zag
Phase	3	Single
Standby Output	26.5 KVA (21.2 KW)	15.3 KW
Prime Output	25 KVA (20 KW)	14.4 KW
Voltage	240V or 480V	240/120V
Frequency	60 Hz	
Speed	1,800 rpm	
Power Factor	0.8	1
Aux. AC Power	Single Phase, 60 Hz	
Voltage	120 VAC	
Output	4.8 KW (2.4 KW x 2)	

Table 2. Engine Specifications

Model	ISUZU AA-4LE2 ¹ Tier 2	ISUZU BV-4LE2 ² Tier4
Type	4 Cycle, water-cooled, direct injection	
No. of Cylinders	4 cylinders	
Bore x Stroke	3.35 in. x 3.78 in. (85 mm x 96 mm)	
Rated Output	34.3 HP/1,800 rpm	
Displacement	133 cu. in. (2,179 cc)	
Starting	Electric	
Coolant Capacity	1.7 gal. (6.4 liters)	
Lube Oil Capacity	2.25 gal. (8.5 liters)	
Fuel Tank Capacity	106 gal. (400 liters)	
Fuel Consumption	1.44 gal. (5.47 L)/hr at full load ¹ 1.05 gal. (3.99 L)/hr at 3/4 load ¹ 0.74 gal. (2.81 L)/hr at 1/2 load ¹ 0.45 gal. (1.70 L)/hr at 1/4 load ¹	1.64 gal. (6.23 L)/hr at full load ² 0.86 gal. (3.28 L)/hr at 1/2 load ² 1.20 gal. (4.57 L)/hr at 3/4 load ² 0.57 gal. (2.17 L)/hr at 1/4 load ²
Fuel	#2 Diesel Fuel	
Battery	12V 53Ah X 1	
Weight	2,200 lbs. (1,000 kg.) ¹ Dry 2,973 lbs. (1,349 kg.) ¹ Wet	2,249 lbs. (1,020 kg.) ² Dry 3,021 lbs. (1,370 kg.) ² Wet

DCA25USIXF¹
DCA25USI2XF²

DIMENSIONS

TOP VIEW

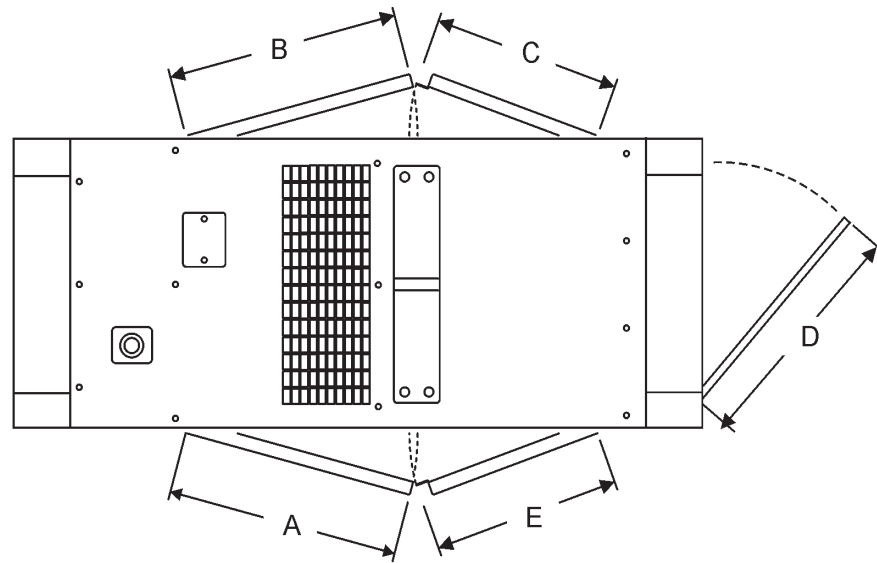
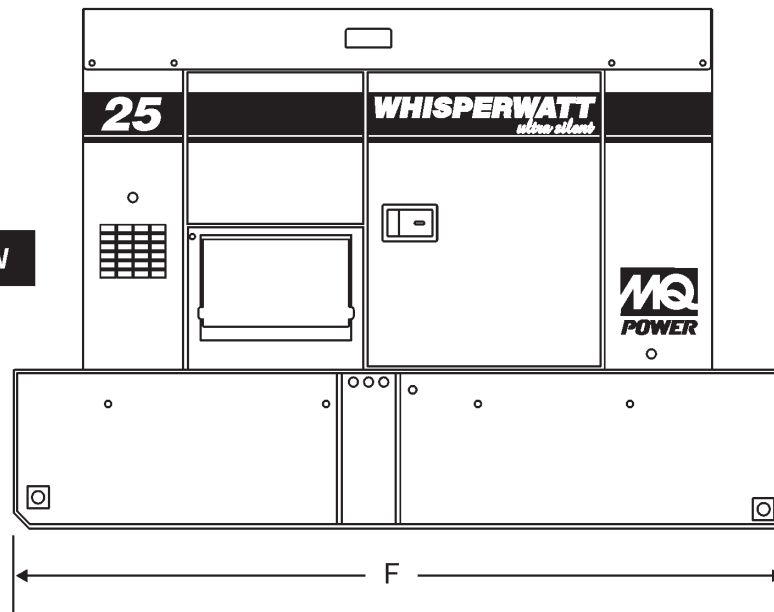


Figure 1. Dimensions

SIDE VIEW



FRONT VIEW

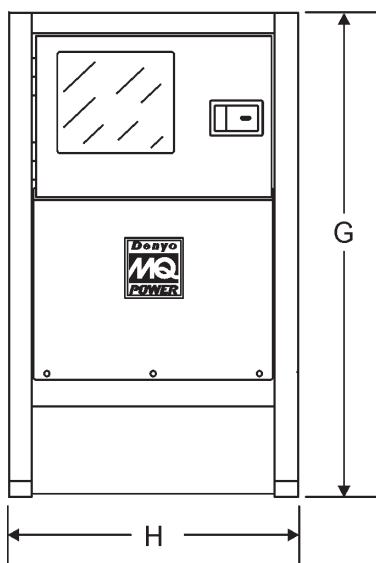


TABLE 3. DIMENSIONS

Reference Letter	Dimension in. (mm.)	Reference Letter	Dimension in. (mm.)
A	27.30 in. (695 mm.)	F	86.20 in. (2,190 mm.)
B	25.59 in. (650 mm.)	G	56.90 in. (1,445 mm.)
C	22.64 in. (575 mm.)	H	31.10 in. (790 mm.)
D	24.80 in. (630 mm.)		
E	20.90 in. (530 mm.)		

OPERATING PROCEDURES

Manual Starting

1. Check the engine oil, coolant, and fuel levels. Replenish if necessary.
2. Place all Generator Circuit Breakers in the "OFF" position and close all doors.
3. Check that the Voltage select switch (or the Voltage change-over board) is present at desired voltage.
(In case of generator having multiple voltage ratings.)
4. Set the Engine speed switch to the "LOW" position.
5. Turn the Auto-Off/Reset-Manual switch to the "Manual" position to start the engine. If the engine fails to start in the specified number of attempts, the overcrank lamp will indicate and the Auto-Off/Reset-Manual switch must be returned to the "Off/Reset" position before proceeding.
6. When the engine is ready for starting during cold weather operating conditions, push the intake heater button for approximately 30 seconds. Start engine using the Auto-Off/Reset-Manual switch to the "Manual" position. As soon as the engine starts, release the button.
If the engine still does not start, utilize the water heater until water is warm. (If additional water heater is supplied.)
7. After starting, allow the engine to run for 1 or 2 minutes to warm-up. At temperatures below freezing, this time period must be extended to 2 to 4 minutes.
8. When the engine starts, immediately check for abnormal noise, vibration, fluid leakage or any indication of a problem. Check the control panel gauges. If all is normal, let the engine remain at the "Low" position for a short time, depending on the ambient conditions, warm up.
9. After sufficient warm-up time has elapsed, set the Engine speed switch to the "High" position and the unit is ready for operation.
10. Check the NOx cost speed as shown in the table below.
60Hz operation----Approx. 60.0Hz (1800rpm)
11. Adjust the Voltage Regulator to the specified voltage.

Manual Stopping

1. Place the Generator Circuit Breakers in the "OFF" position.
2. Set the Engine speed switch to the "LOW" position, and allow the unit to cool for a few minutes.
3. Turn the Auto-Off/Reset-Manual switch, to the "Off/Reset" position.

Auto Starting/Stopping

1. With the Auto/Manual switch in the Auto position, the Auto Starting/Stopping controller monitors remote start contacts. Closure of the remote start contacts will begin engine cranking. When the contacts are opened cranking will stop or if running the engine will stop. All functions of the Automatic shutdown System work as in Manual Starting/stopping.
2. For cold weather conditions utilize the water heater until water is warm. If the engine still does not start, please operate as in Manual Starting.

Emergency Stopping

1. Place the Generator Circuit Breakers in the "OFF" position.
2. Turn the Auto-Off/Reset-Manual switch to the "Off/Reset" position.

M35200010

P/N M3552000103

SAFETY INSTRUCTIONS

Improper operation of this machine can cause severe injury or death.

- Read the instruction manual carefully before operating or servicing.

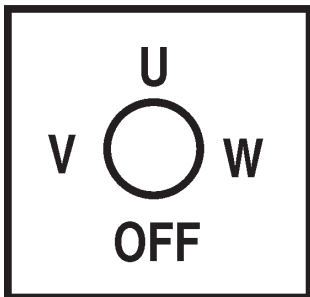
This machine should only be operated by a person with sufficient knowledge and skill to ensure safe operation.

High voltage circuits are located inside the output terminal cover and control panel.

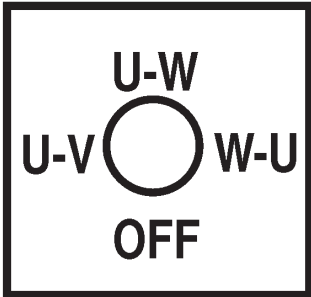
- Close the cover and control panel before operating.
- Moving parts and hot surfaces are contained within the enclosure.
- Close all doors and lock them before operating.

M92010030

P/N M9520100304



P/N M9520000104



P/N M9520000204



P/N M950000004



P/N M9510200002



P/N M9500500004



P/N M9500300104



P/N M9500300004

OVER CURRENT RELAY

If it is Impossible to reset the CIRCUIT BREAKER, open the control panel and push the RESET BUTTON as below.

A diagram showing a control panel with a 'RESET BUTTON' indicated by an arrow pointing to a specific location on the panel.

M92020010

P/N M9520200104




P/N M9500500104


WATER • OIL CHECK AND FILL DAILY

P/N M9503000103


Figure 2. Generator Decals

	⚠ WARNING	⚠ WARNING	⚠ WARNING
	ELECTRIC SHOCK HAZARD <ul style="list-style-type: none"> Do not touch output terminals when this machine is operating. Turn power off before servicing. 	ELECTRIC SHOCK HAZARD <ul style="list-style-type: none"> Always complete the grounding path from the ground terminal on this genset to an external grounding source. See instruction manual for details. 	<ul style="list-style-type: none"> Before connecting this generator to any building's electrical system, a licensed electrician must install an isolation (transfer) switch. Serious injury or death may result without this transfer switch.

P/N M9520100503

	⚠ WARNING
	HOT COOLANT can cause severe burns. <ul style="list-style-type: none"> Do not remove cap if radiator is hot.

P/N M9503100004

	⚠ WARNING
	ENGINE EXHAUST can cause severe injury or death. <ul style="list-style-type: none"> Use only in open, well ventilated areas or vent exhaust outside.


P/N M9503200004

DANGER
HIGH VOLTAGE

P/N M9520100404

⚠ CAUTION
Stop engine before switching


P/N M9520100204

	⚠ CAUTION
	MOVING PARTS can cause severe injury. <ul style="list-style-type: none"> Do not operate with doors open. Stop engine before servicing.


P/N M9503000004

NOTE
To use 50 amp receptacles, adjust the voltage selector switch to the single phase position and the main line circuit breaker to the on position.


P/N M1550000204

	⚠ CAUTION
	HOT PARTS can burn skin. <ul style="list-style-type: none"> Do not touch until the machine has sufficiently cooled.

P/N M9510100004

	⚠ WARNING
	ELECTRIC SHOCK HAZARD <ul style="list-style-type: none"> Do not touch output terminals while this machine is operating. Turn power off before servicing.

P/N M9520100503

	⚠ WARNING
	ELECTRIC SHOCK HAZARD <ul style="list-style-type: none"> Do not touch internal wiring or connections while this machine is operating. Turn power off before servicing.

P/N M9520100004

⚠ CAUTION
This machine stops and starts Automatically and without notice.

P/N B15200010

Figure 3. Generator Decals (Continued)

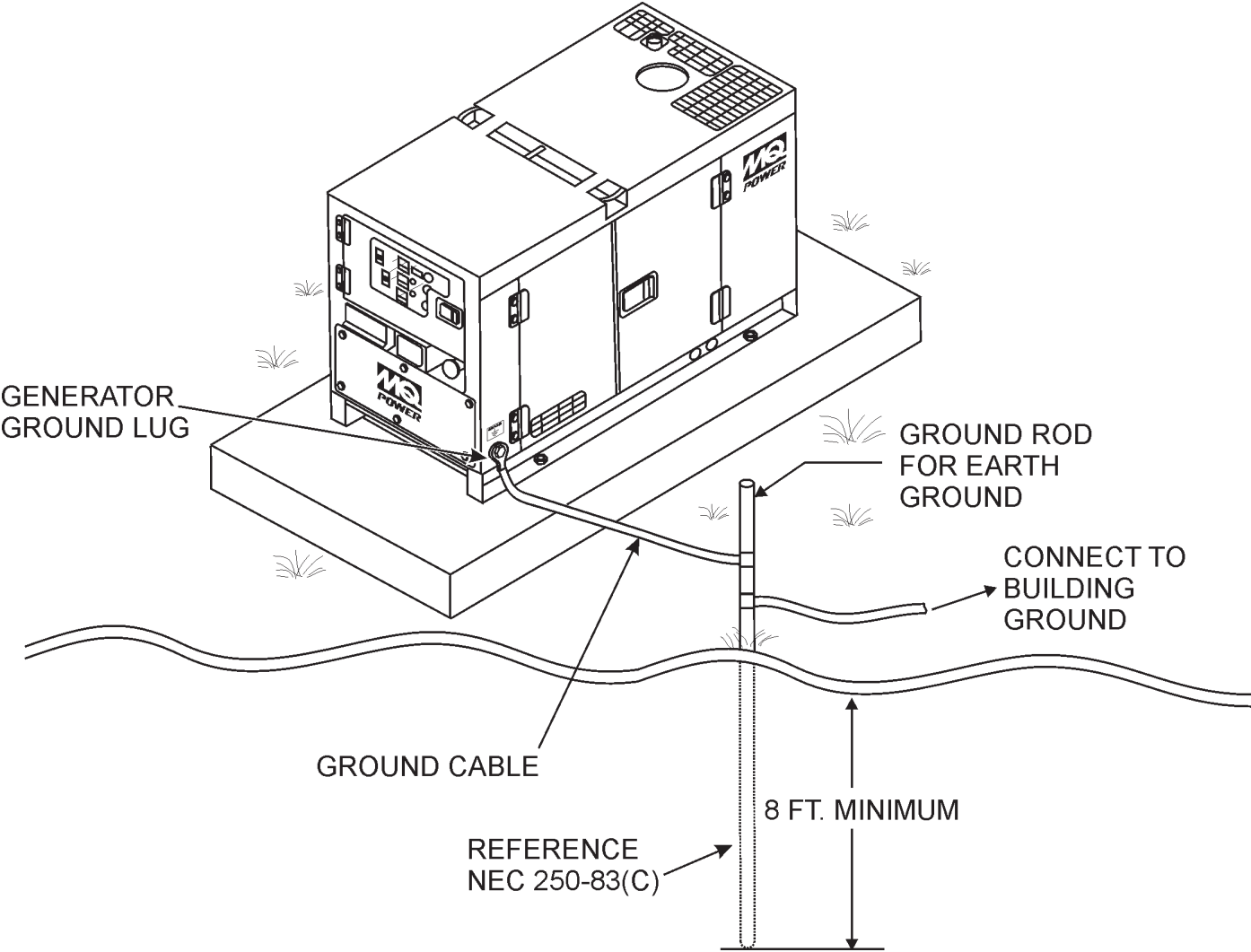


Figure 4. Typical Generator Grounding Application

Outdoor Installation

Install the generator in a area that is free of debris, bystanders, and overhead obstructions. Make sure the generator is on secure level ground so that it cannot slide or shift around. Also install the generator in a manner so that the exhaust will not be discharged in the direction of nearby homes.

The installation site must be relatively free from moisture and dust. All electrical equipment should be protected from excessive moisture. Failure to do will result in deterioration of the insulation and will result in short circuits and grounding.

Foreign materials such as dust, sand, lint and abrasive materials have a tendency to cause excessive wear to engine and alternator parts.

CAUTION - EXHAUST HAZARD

Pay close attention to ventilation when operating the generator inside tunnels and caves. The engine exhaust contains noxious elements. Engine exhaust must be routed to a ventilated area.

Indoor Installation

Exhaust gases from diesel engines are extremely poisonous. Whenever an engine is installed indoors the exhaust fumes must be vented to the outside. The engine should be installed at least two feet from any outside wall. Using an exhaust pipe which is too long or too small can cause excessive back pressure which will cause the engine to heat excessively and possibly burn the valves.

Mounting

The generator must be mounted on a solid foundation (such as concrete) and set firmly on the foundation to isolate vibration of the generator when it is running. The generator must set at least 6 inches above the floor or grade level (in accordance to NFPA 110, Chapter 5-4.1). **DO NOT** remove the metal skids on the bottom of the generator. They are to resist damage to the bottom of the generator and to maintain alignment.

Generator Grounding

To guard against electrical shock and possible damage to the equipment, it is important to provide a good **EARTH** ground.

Article 250 (Grounding) of the National Electrical Code (NEC) provides guide lines for proper grounding and specifies that the cable ground shall be connected to the grounding system of the building as close to the point of cable entry as practical.

NEC articles 250-64(b) and 250-66 set the following grounding requirements:

1. Use one of the following wire types to connect the generator to earth ground.
 - a. Copper - 10 AWG (5.3 mm²) or larger.
 - b. Aluminum - 8 AWG (8.4 mm²) or larger.
2. When grounding the generator (Figure 4) connect the ground cable between the lock washer and the nut on the generator and tighten the nut fully. Connect the other end of the ground cable to earth ground.
3. NEC article 250-52(c) specifies that the earth ground rod should be buried a minimum of 8 ft. into the ground.

NOTICE

When connecting the generator to any buildings electrical system, **ALWAYS** consult with a licensed electrician.

NOTICE

This generator has a permanent bonding conductor between the generator stator windings and the frame.

FAMILIARIZATION

Generator

The MQ Power DCA-25USIXF/DCA-25USI2XF Ultra-Silent generators (Figure 5) are 56 kW generators that are designed as a high quality portable (requires a trailer for transport) power source for telecom sites, lighting facilities, power tools, submersible pumps and other industrial and construction machinery.

Engine Operating Panel

The "Engine Operating Panel" is provided with the following:

- Tachometer
- Water Temperature Gauge/ Alarm Lamp
- Oil Pressure Gauge/ Alarm Lamp
- Charging Ammeter Gauge
- Pre-Heat Lamp
- Panel Light
- Panel Light Switch
- Ignition/Preheat Switch
- Fuel Gauge
- Fuel Filter Water Level Alarm Lamp
- Fuel Leak Detected Alarm Lamp

Generator Control Panel

The "Generator Control Panel" is provided with the following:

- Frequency Meter (Hz)
- AC Ammeter (Amps)
- AC Voltmeter (Volts)
- Ammeter Change-Over Switch
- Voltmeter Change-Over Switch
- Voltage Regulator
- 3-Pole, 60 amp Main Circuit Breaker

Output Terminal Panel

The "Output Terminal Panel" is provided with the following:

- Two 250 VAC output receptacles (CS-6369), 50 amps
- Two auxiliary circuit breakers, 250V @50 amps
- Two 125 VAC output receptacles, (GFCI), 20 amps
- Two GFCI circuit breakers, 125V@ 20amps
- Five output terminal lugs (3Ø power)

Control Box

The "Control Box" is provided with the following:

- Automatic Voltage Regulator
- Current Transformer
- Emergency Relay

Open Delta Excitation System

This generator is equipped with the state of the art "*Open-Delta*" excitation system. The open delta system consist of an electrically independent winding wound among stationary windings of the AC output section.

There are four connections of the open delta A, B, C and D. During steady state loads, the power from the voltage regulator is supplied from the parallel connections of A to B, A to D, and C to D. These three phases of the voltage input to the voltage regulator are then rectified and are the excitation current for the exciter section.

When a heavy load, such as a motor starting or a short circuit occurs, the automatic voltage regulator (AVR) switches the configuration of the open delta to the series connection of B to C. This has the effect of adding the voltages of each phase ot provide higher excitation to the exciter section and thus better voltage response during the application of heavy loads.

The connections of the AVR to the AC output windings are for sensing only. No power is required from these windings.

The open-delta design provides virtually unlimited excitation current, offering maximum motor starting capabilities. The excitation does not have a "*fixed ceiling*" and responds according the demands of the required load.

Engine

These generator's are powered by two different types of diesel engines depending on the model of the generator. Both engines are 4 cycle, water cooled, direct injection types. The DCA25USIXF incorporates an ISUZU AA-4LE2 diesel engine, while the DCA25USI2XF incorporates an ISUZU BB-4LE2 diesel engine. These engines are designed to meet every performance requirement for the generator. Reference Table 2 for engine specifications.

In keeping with Multiquip's policy of constantly improving its products, the specifications quoted herein are subject to change without prior notice.

The basic controls and indicators for the generator are addressed on the following pages.

Mechanical Governor System

The mechanical governor system control the RPM of the engine. When the engine demands increase or decrease, the mechanical governor system regulates the frequency variation to $\pm 5\%$. The electronic governor option increases frequency variation to $\pm 0.25\%$.

Extension Cables

When electric power is to be provided to various tools or loads at some distance from the generator, extension cords are normally used. Cables should be sized to allow for distance in length and amperage so that the voltage drop between the generator and point of use (load) is held to a minimum. Use the cable selection chart (Table 6) as a guide for selecting proper extension cable size.

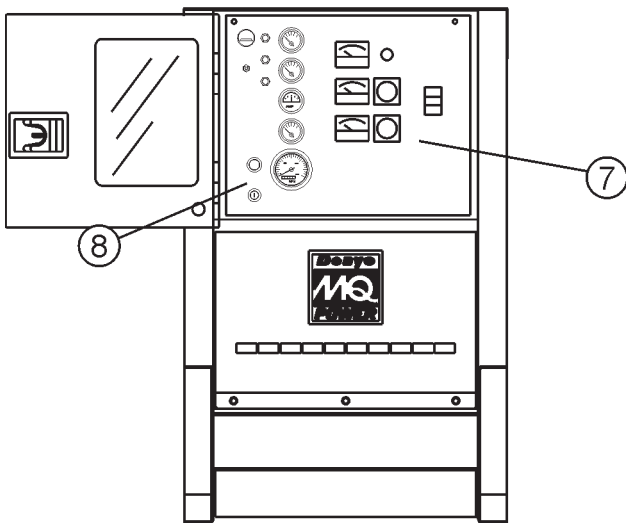
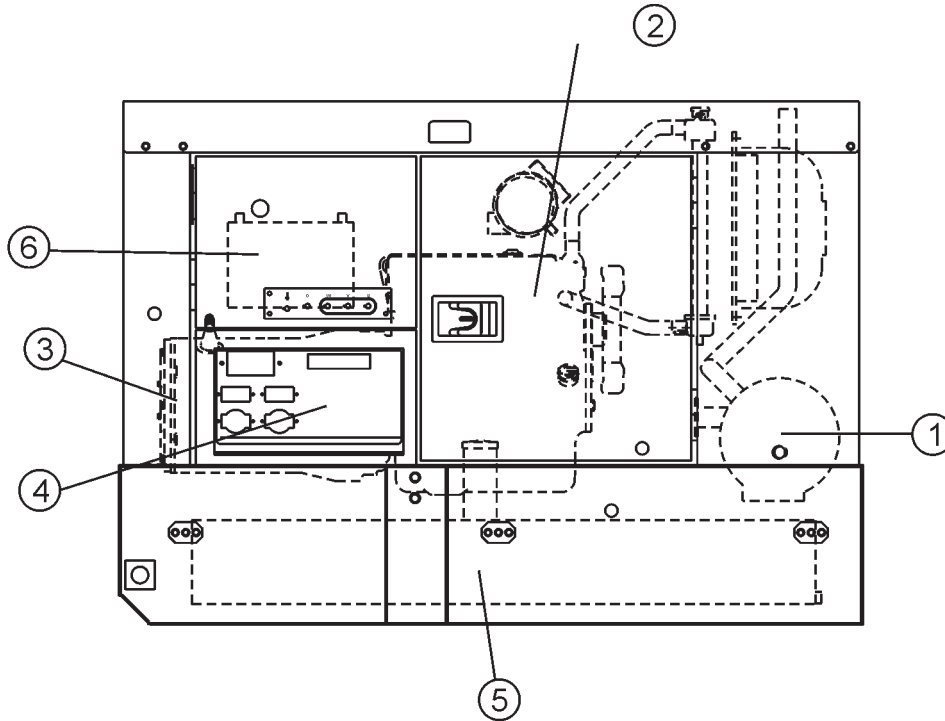


Figure 5. Major Components

Table 4. Generator Major Components

ITEM NO.	DESCRIPTION
1	Muffler Assembly
2	Engine Assembly
3	Generator Assembly
4	Output Terminal Assembly
5	Fuel Tank Assembly
6	Battery Assembly
7	Generator Control Panel Assembly
8	Engine Operating Panel Assembly

GENERATOR CONTROL PANEL

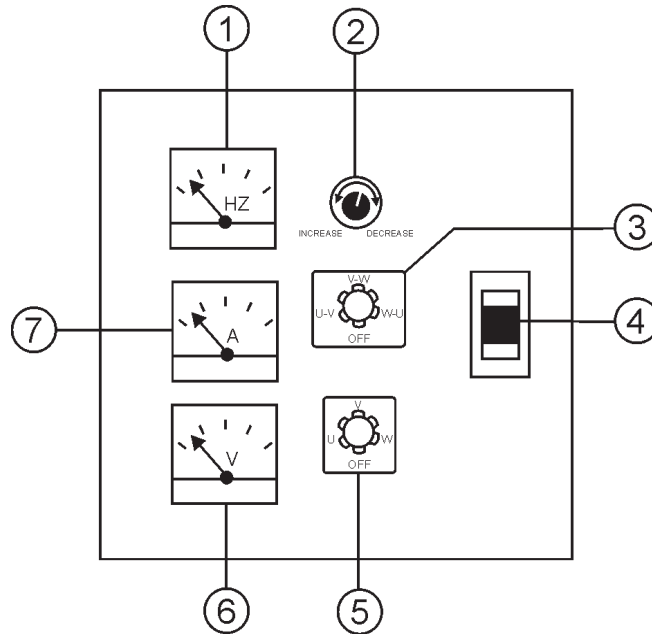


Figure 6. Generator Control Panel

The definitions below describe the controls and functions of the "**Generator Control Panel**" (Figure 6).

1. **Frequency Meter** – Indicates the output frequency in hertz (Hz). Normally 60 Hz \pm 1 Hz.
2. **Voltage Regulator Control** – Allows \pm 15% manual adjustment of the generator's output voltage.
3. **Ammeter Change-Over Switch** – This switch allows the AC ammeter to indicate the current flowing to the load connected to any phase of the output terminals, or to be switched off. This switch does not effect the generator output in any fashion, it is for current reading only.
4. **Main Circuit Breaker** – This three-pole, 60 amp main breaker is provided to protect the **UVWO** output terminals from overload.
5. **Voltmeter Change-Over Switch** – This switch allows the AC voltmeter to indicate phase to phase voltage between any two phases of the output terminals or to be switched off.
6. **AC Voltmeter** – Indicates the output voltage present at the **UVWO** terminals.
7. **AC Ammeter** – Indicates the amount of current the load is drawing from the generator per leg selected by the ammeter phase-selector switch.

Located behind the generator control panel is the **Generator Control Box**. This box contains some of the necessary electronic components required to make the generator function.

The "**Control Box**" is equipped with the following major components:

- Over-Current Relay
- Voltage Rectifier
- Starter Relay
- Three Pole Circuit Breaker
- Current Transformer
- Voltage Selector Switch

NOTICE

Remember the **overcurrent relay** monitors the current flowing from the **UVWO** output terminals to the load.

In the event of a short circuit or over current condition, it will automatically trip the main 60 amp breaker.

To restore power to the **UVWO** output terminals, press the **reset** button on the overcurrent relay and place the **main** circuit breaker in the **closed** position (**ON**).

ENGINE OPERATING PANEL

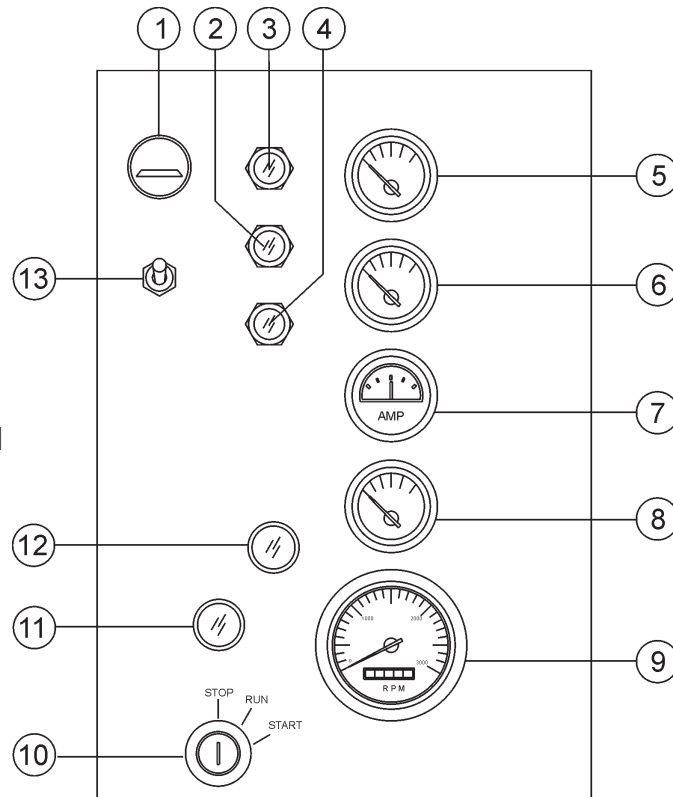


Figure 7. Engine Operating Panel

The definitions below describe the controls and functions of the "**Engine Operating Panel**" (Figure 7).

1. **Panel Light** - Normally used in dark places or at night. When activated, panel will luminate. When the generator is not in use, turn the panel light switch to the **OFF** position.
2. **Water Temperature Lamp** - Indicates that the water temperature is outside of normal range and will shut down the engine.
3. **Oil Pressure Lamp** - Indicates that the oil pressure is too low or high and will shut down the engine.
4. **Fuel Filter Water Level Alarm Lamp** - This lamp turns on when the water level in the fuel filter rises too high. Drain the water in the fuel filter strainer to correct the problem.
5. **Oil Pressure Gauge** – Normal operation should be approximately 28~71 psi (193~490 kPa). When starting the generator the oil pressure may read a bit higher, but after the engine warms up the oil pressure should return to normal.
6. **Water Temperature Gauge** – During normal operation this gauge should read between 165°~203° F. (74°~95° C).
7. **Charging Ammeter Gauge** – Indicates the current being supplied by the engine's alternator which provides current for generator's control circuits and battery charging system.
8. **Fuel Gauge** - Indicates amount of diesel fuel available.
9. **Tachometer** – Indicates engine speed in RPM's for 60 Hz operation. This meter should indicate 1800 RPM's when the rated load is applied. In addition a built in hour meter will record the number of operational hours that the generator has been in use.
10. **Ignition Switch** – Four position switch, pre-heat, stop, run and start. Insert ignition key to start and stop engine.
11. **Pre-Heat Lamp** - Indicates (ON) when the engine is ready for starting during cold weather operating conditions.
12. **Fuel Leak Detected Alarm Lamp** - This lamp will illuminate when a leak in the fuel containment enclosure is detected.
13. **Panel Light Switch**- When activated, will turn on control panel light.

OUTPUT TERMINAL PANEL

Output Terminal Panel

The **Output Terminal Panel** (Figure 8) shown below is located on the right-hand side (left from control panel) of the generator. Lift up on the cover to gain access to receptacles and terminal lugs.

NOTICE

Terminal legs "O" and "Ground" are considered **bonded grounds**.

Output Terminal Familiarization

The "**Output Terminal Panel**" (Figure 6) is provided with the following:

- Two (2) 120/240V output receptacles @ 50 amp
- Two (2) Circuit Breakers @ 50 amps
- Two (2) 120V GFCI receptacles @ 20 amp
- Two (2) GFCI Circuit Breakers @ 20 amps
- Five (5) Output Terminal Lugs (U, V, W, O, Ground)
- One Main Circuit Breaker @60 amps

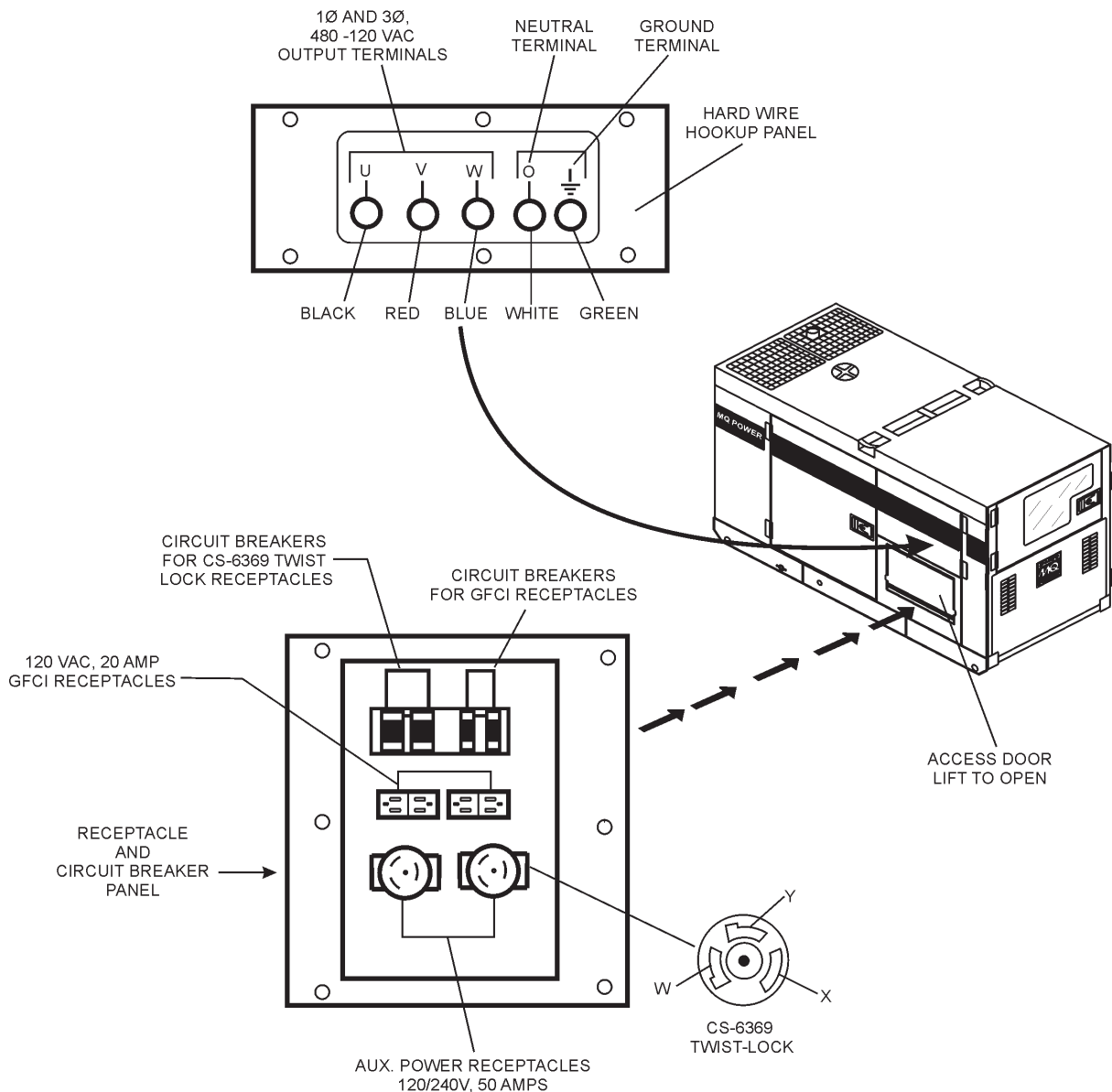


Figure 8. Output Terminal Panel

OUTPUT TERMINAL PANEL

120 VAC GFCI Receptacles

There are two 120 VAC, 20 amp GFCI (Duplex Nema 5-20R) receptacles provided on the output terminal panel. These receptacles can be accessed in **any voltage selector switch** position. Each receptacle is protected by a 20 amp circuit breaker. These breakers are located directly above the GFCI receptacles. Remember the load output (current) of both GFCI receptacles is dependent on the load requirements of the U, V, and W output terminal lugs.

Pressing the **reset** button resets the GFCI receptacle after being tripped. Pressing the **Test Button** (See Figure 9) in the center of the receptacle will check the GFCI function. Both receptacles should be tested at least once a month.

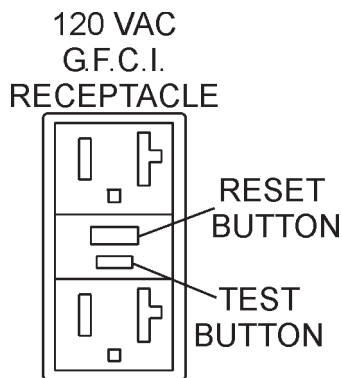


Figure 9. G.F.C.I. Receptacle

Twist Lock Dual Voltage 120/240 VAC Receptacles

There are three 120/240V, 50 amp auxilliary twist-lock (CS-6369) receptacles (Figure 10) provided on the output terminal panel. These receptacles can **only** be accessed when the voltage selector switch is placed in the **single-phase 240/120 position**.

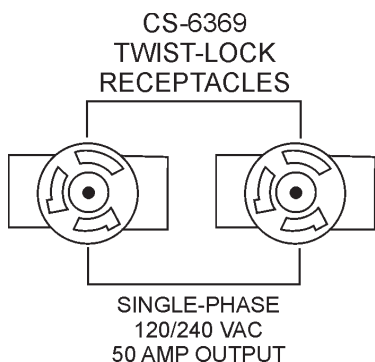


Figure 10. 120/240V Twist-Lock Auxiliary Receptacles

Each auxilliary receptacle is protected by a 50 amp circuit breaker. These breakers are located directly above the GFCI receptacles. Remember the load output (current) on all three receptacles is dependent on the load requirements of the **Output Terminal Lugs**.

Turn the **voltage regulator control knob** (Figure 11) on the control panel to obtain the desired voltage. Turning the knob clockwise will **increase** the voltage, turning the knob counter-clockwise will **decrease** the voltage.



Figure 11. Voltage Regulator Control Knob

Removing the Plastic Face Plate (UVWO Terminals)

The UVWO terminal lugs are protected by a plastic face plate cover (Figure 12). Un-lock the locking latch, and lift the terminal cover to gain access to the plastic face plate. Remove the screws securing the face plate to the terminal enclosure, then lift the plastic hinged face plate.

After the load wires have been securely attached to the UVWO terminals, reinstall the plastic face plate. Place the terminal cover in the down position and secure the locking latch.

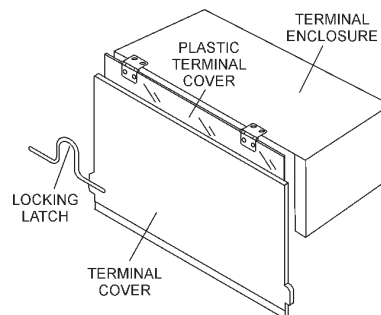


Figure 12. Plastic Face Plate (UVWO Terminals)

OUTPUT TERMINAL PANEL

Connecting Loads

Loads can be connected to the generator by the **UVWO** terminal lugs or the convenience receptacles. (See Figure 13). Make sure to read the operation manual before attempting to connect a load to the generator.

To protect the UVWO output terminals from overload, a 3-pole, 60 amp, **main** circuit breaker is provided. Make sure to switch **ALL** circuit breakers to the "OFF" position prior to starting the engine.

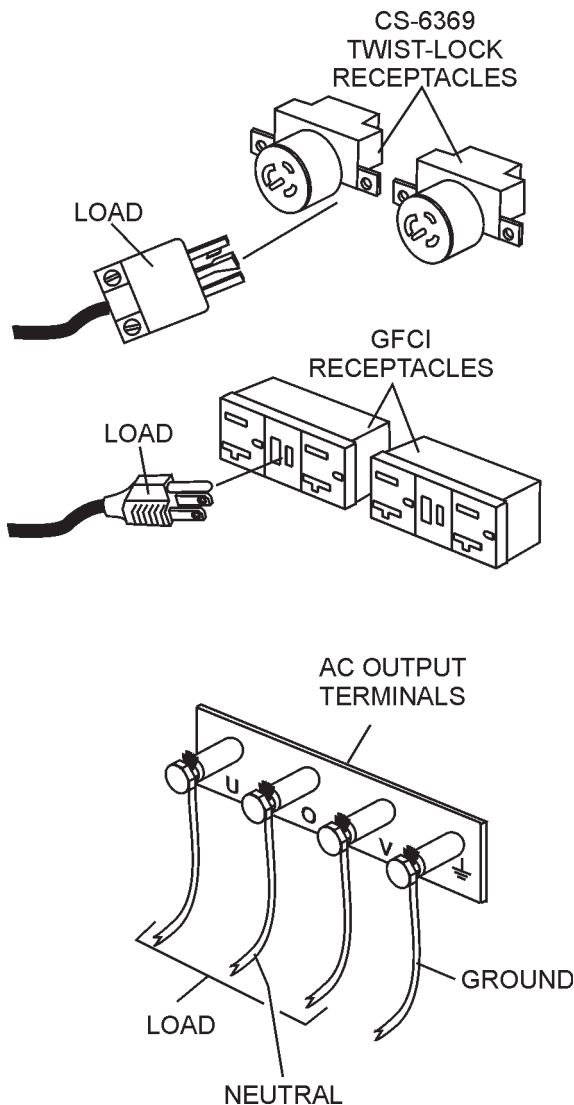


Figure 13. Connecting Loads

Over Current Relay

An **over current relay** (Figure 14) is connected to the main circuit breaker. In the event of an overload, both the circuit breaker and the over current relay may trip. If the circuit breaker can not be reset, the **reset button** on the over current relay must be pressed. The over current relay is located in the control box.

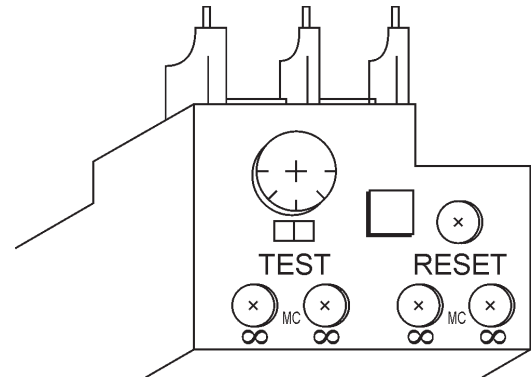



Figure 14. Over Current Relay

⚠ DANGER

 This fuse has current running through it any time the engine is running. This fuse is **NOT** connected to the main circuit breaker of the generator. Attempting to replace the fuse with the engine and/or generator operating could result in **electrocution** and **severe bodily harm**. **ALWAYS** turn the unit completely off before attempting to replace or handle this fuse.

LOAD APPLICATION

Single Phase Load

Always be sure to check the nameplate on the generator and equipment to insure the wattage, amperage, frequency, and voltage requirements are satisfactorily supplied by the generator for operating the equipment.

Generally, the wattage listed on the nameplate of the equipment is its rated output. Equipment may require 130—150% more wattage than the rating on the nameplate, as the wattage is influenced by the efficiency, power factor and starting system of the equipment.

NOTICE

If wattage is not given on the equipment's name plate, approximate wattage may be determined by multiplying nameplate voltage by the nameplate amperage.

WATTS = VOLTAGE x AMPERAGE

The power factor of this generator is 0.8. See Table 5 below when connecting loads.

Type Of Load	Power Factor
Single-phase induction motors	0.4 - 0.75
Electric heaters, incandescent lamps	1.0
Fluorescent lamps, mercury lamps	0.4 - 0.9
Electronic devices, communication equipment	1.0
Common power tools	0.8

Current in Amperes	Load In Watts		Maximum Allowable Cable Length			
	At 120 Volts	At 240 Volts	#10 Wire	#12 Wire	#14 Wire	#16 Wire
2.5	300	600	1000 ft.	600 ft.	375 ft.	250 ft.
5	600	1200	500 ft.	300 ft.	200 ft.	125 ft.
7.5	900	1800	350 ft.	200 ft.	125 ft.	100 ft.
10	1200	2400	250 ft.	150 ft.	100 ft.	
15	1800	3600	150 ft.	100 ft.	65 ft.	
20	2400	4800	125 ft.	75 ft.	50 ft.	

CAUTION: Equipment damage can result from low voltage.

Three Phase Load

When calculating the power requirements for 3-phase power use the following equation:

$$KVA = \frac{VOLTAGE \times AMPERAGE \times 1.732}{1000}$$

NOTICE

If 3Ø load (kVA) is not given on the equipment nameplate, approximate 3Ø load output maybe determined by multiplying voltage by amperage by 1.732.

NOTICE

Motors and motor-driven equipment draw much greater current for starting than during operation.

An inadequate size connecting cable which cannot carry the required load can cause a voltage drop which can burn out the appliance or tool and overheat the cable. See Table 6.

- When connecting a resistance load such as an incandescent lamp or electric heater, a capacity of up to the generating set's rated output (kW) can be used.
- When connecting a fluorescent or mercury lamp, a capacity of up to the generating set's rated output (kW) multiplied by 0.6 can be used.
- When connecting an electric drill or other power tools, pay close attention to the required starting current capacity.

When connecting ordinary power tools, a capacity of up to the generating set's rated output (kW) multiplied by 0.8 can be used.

⚠ DANGER

Before connecting this generator to any building's electrical system, a **licensed electrician** must install an **isolation (transfer) switch**. Serious damage to the building's electrical system may occur without this transfer switch.

GAUGE READING/TERMINAL PANEL CONNECTIONS

Voltage Selector Switch

The **voltage selector** switch (Figure 15) is located above the output terminal panel's **Hard Wire Hook-up Panel**. It has been provided for ease of voltage selection.

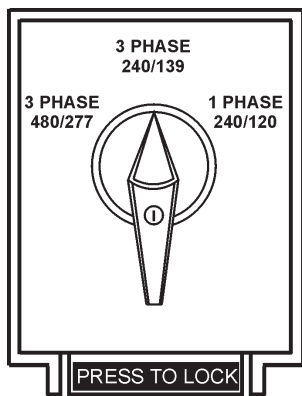


Figure 15. Voltage Selector Switch

Voltage Selector Switch Locking Button

The voltage selector switch has a locking button to protect the generator and load from being switched while the engine is running. To lock the voltage selector switch, **press** and **hold** the **red button** located at the bottom of the switch.

CAUTION

NEVER change the position of the **voltage selector switch** while the engine is running. **ALWAYS** place circuit breaker in the open position before selecting voltage.

Generator Output Voltages

A wide range of voltages are available to supply voltage for many different applications. Voltages are selected by using the **voltage selector** switch (Figure 15). To obtain some of the voltages as listed in Table 7 (see below) will require a fine adjustment using the **voltage regulator (VR) control knob** located on the control panel.

	208V	220V	240V	416V	440V	480V
Three Phase (Switchable)						
Single Phase (Switchable)	120V	127V	139V	240V	254V	277V

Maximum Amps

Table 8 shows the **maximum** amps the generator can provide. **DO NOT** exceed the maximum amps as listed.

Rated Voltage	Maximum Amps
Single Phase 120 Volt	55.5 amps (4 wire)
Single Phase 240 Volt	27.8 amps (4 wire)
Three Phase 240 Volt	60 amps
Three Phase 480 Volt	30 amps

GFCI Receptacle Load Capability

The load capability of the GFCI receptacles is directly related to the voltage being supplied at either the output terminals or the 2 twist lock auxiliary receptacles.

Tables 9 and 10 show what amount of current is available at the GFCI receptacles when the output terminals and twist lock receptacles are in use. Be careful that your load does not to exceed the available current capability at the receptacles.

KW in Use Twist-Lock (CS6369)	Available Load Current (Amps)
1Ø 240/120V	GFCI Duplex NEMA 5-20R 120V
14.4	0
13.2	5 amps per receptacle
12.0	10 amps per receptacle
10.8	15 amps per receptacle
9.6	20 amps per receptacle

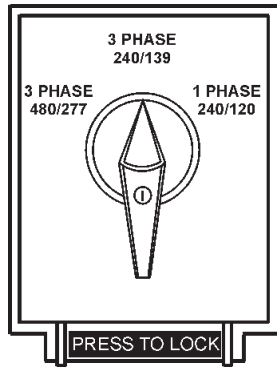
KVA in Use (UVWO Terminals)	Available Load Current (Amps)
3Ø 240/480V	GFCI Duplex NEMA 5-20R 120V
25	0
20.8	5 amps per receptacle
16.7	10 amps per receptacle
12.5	15 amps per receptacle
8.4	20 amps per receptacle

GAUGE READING/TERMINAL PANEL CONNECTIONS

The gauges and selector switches on the control panel **DO NOT** effect the generator output. They are provided to help observe how much power is being supplied at the **Output terminals lugs**.

Before taking a reading from either gauge, set the **Voltage Selector Switch** (Figure 16) to the position which produces the required voltage (For example, for 3Ø 240V, choose the center 3Ø 240/139V position on the voltage selector switch.)

Figure 16. Voltage Selector Switch 240/139V Three Phase Position



NOTICE

For 3Ø 208V/1Ø,120V, place the Voltage Selector Switch in the 3 Phase 240/139 position.

Reading Voltage

To determine the voltage between two terminal lugs, set the **AC Voltmeter Change-Over Switch** to the appropriate setting (Figure 17) to activate the **AC Voltmeter Gauge** (Figure 18) and read the available voltage between the two lugs.

For example, to measure the voltage between the W and U terminal lugs, set the **AC Voltmeter Change-Over Switch** to W-U and read the **AC Voltmeter Gauge**.

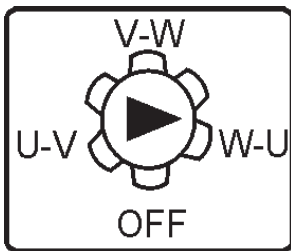


Figure 17. AC Voltmeter Change-Over Switch

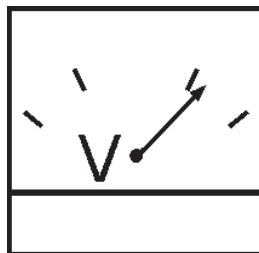


Figure 18. AC Voltmeter Gauge (Volt reading on W-U Lug)

Reading Amperage

To determine the amperage at a terminal lug, set the **AC Ammeter Change-Over Switch** to the appropriate setting (Figure 19) to activate the **AC Ammeter Gauge** (Figure 20) and read the available amperage at the terminal lug.

For example, to measure the amperage at the U terminal lug, set the **AC Ammeter Change-Over Switch** to U and read the **AC Ammeter Gauge**.

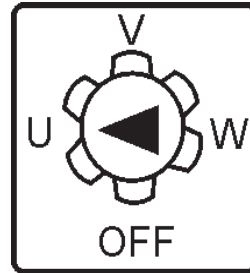


Figure 19. AC Ammeter Change-Over Switch

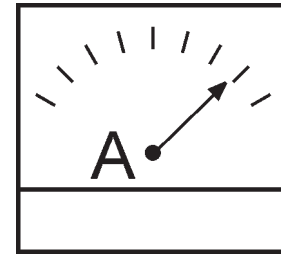


Figure 20. AC Ammeter (Amp reading on U lug)

NOTICE

The **ammeter** gauge will only show a reading when the **Output Terminal Lugs** are connected to a load and in use.

OUTPUT TERMINAL PANEL CONNECTIONS

UVWO Terminal Output Voltages

Various output voltages can be obtained using the **Output Terminal Lugs**. The voltages at the terminals are dependent on the position of the **Voltage Selector Switch** and the adjustment of the **Voltage Regulator Control Knob**.

Remember the voltage selector switch determines the **range** of the output voltage. The voltage regulator (VR) allows the user to increase or decrease the selected voltage.

3Ø 240/139V Output Terminal Lug Voltages

1. Place the voltage selector switch in the 3Ø 240/139V position as shown in Figure 21.

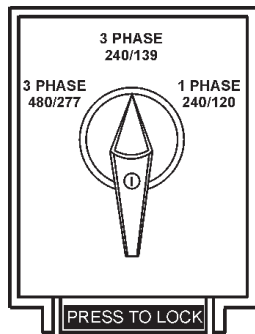


Figure 21. Voltage Selector Switch 240/139V Three-Phase Position

2. Connect the load wires to the **Output Terminal Lugs** as shown in Figure 22.

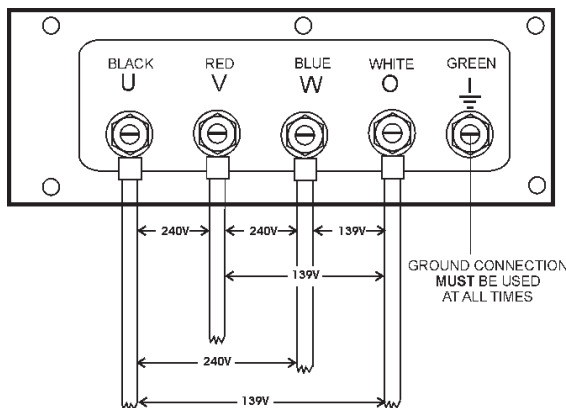


Figure 22. Output Terminal Lugs 3Ø-240/139V Connections

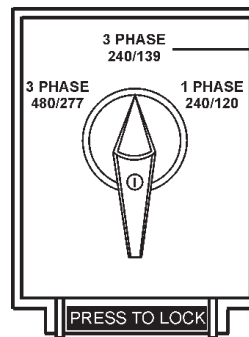
3. Turn the voltage regulator knob (Figure 23) clockwise to increase voltage output, turn counterclockwise to decrease voltage output.



Figure 23. Voltage Regulator Knob (139V/240V)

3Ø 208V/1Ø120V Output Terminal Lug Voltages

1. Place the voltage selector switch in the 3Ø 240/139V position as shown in Figure 24.



Use this position for 3Ø-240 or 1Ø120V.

Figure 24. Voltage Selector Switch 240/139V Three-Phase Position

2. Connect the load wires to the **Output Terminal Lugs** as shown in Figure 25.

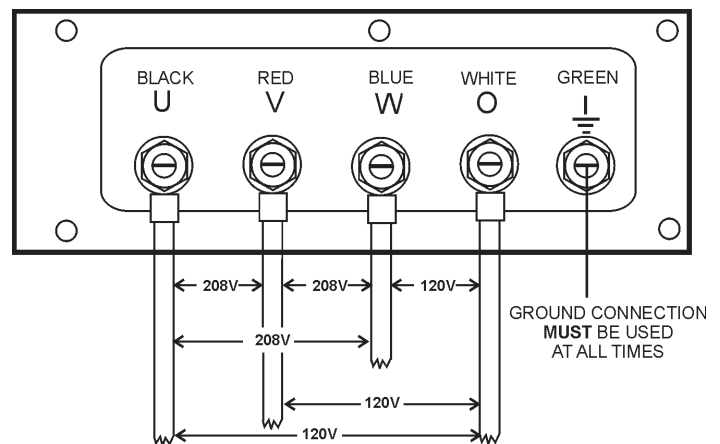


Figure 25. Output Terminal Lugs 3Ø-208/120V Connections

3. Turn the voltage regulator knob (Figure 23) clockwise to increase voltage output, turn counterclockwise to decrease voltage output.

NOTICE

To achieve a 3Ø 208V output the voltage selector switch must be in the 3Ø-240/139V position and the voltage regulator must be adjusted to 208V.

OUTPUT TERMINAL PANEL CONNECTIONS

3Ø 480/277 Output Terminal Lug Voltages

1. Place the voltage selector switch in the 3Ø 480/277 position as shown in Figure 26.

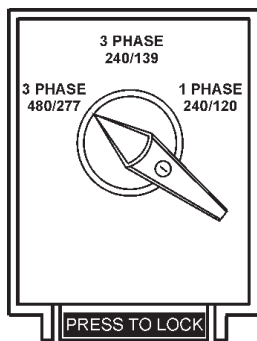


Figure 26. Voltage Selector Switch 480/277V Three-Phase Position

1Ø 240V/120V Output Terminal Lug Voltages

1. Place the voltage selector switch in the 1Ø 240/120 position as shown in Figure 28.

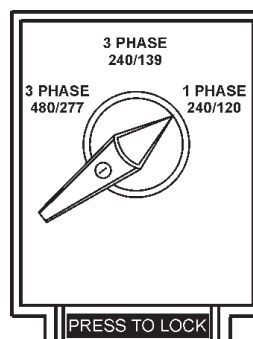


Figure 28. Voltage Selector Switch 240/120V Single-Phase Position

2. Connect the load wires to the **Output Terminal Lugs** as shown in Figure 27.

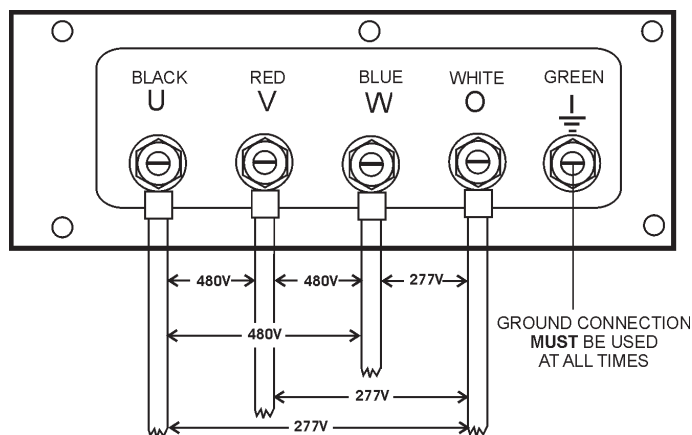


Figure 27. Output Terminal Lugs 3Ø-480/277V Connections

2. Connect the load wires to the **Output Terminal Lugs** as shown in Figure 29.

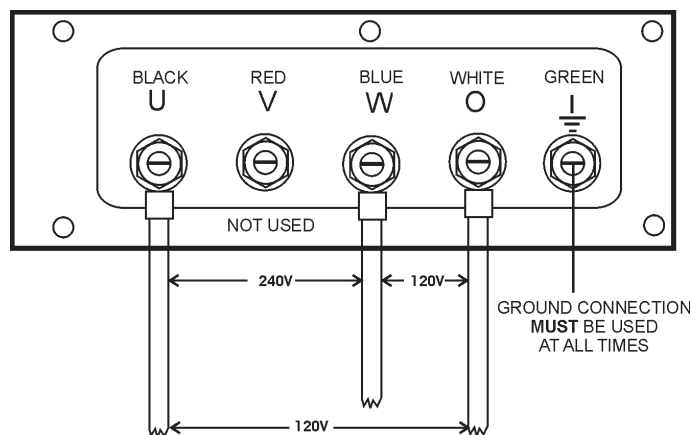


Figure 29. Output Terminal Lugs 1Ø-240/120V Connections

3. Turn the voltage regulator knob (Figure 23) clockwise to increase voltage output, turn counterclockwise to decrease voltage output.

3. Turn the voltage regulator knob (Figure 23) clockwise to increase voltage output, turn counterclockwise to decrease voltage output.

Circuit Breakers

To protect the generator from an overload, a 3-pole, 60 amp, **main** circuit breaker is provided to protect the UVW output terminals from overload. In addition two single-pole, 20 amp **GFCI** circuit breakers are provided to protect the GFCI receptacles from overload. Two 50 amp **load** circuit breakers have also been provided to protect the auxiliary receptacles from overload. Make sure to switch **ALL** circuit breakers to the "OFF" position prior to starting the engine.

Lubrication Oil

Fill the engine crankcase with lubricating oil through the filler hole, but **DO NOT** overfill. Make sure the generator is level. and verify that the oil level is maintained between the two notches (Figure 30) on the dipstick. See Table 11 for proper selection of engine oil.

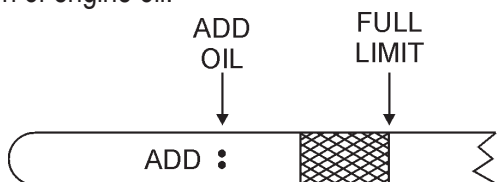


Figure 30. Engine Oil Dipstick

When checking the engine oil, be sure to check if the oil is clean. If the oil is not clean, drain the oil by removing the oil drain plug, and refill with the specified amount of oil as outlined in the **Isuzu Engine Owner's Manual**. Oil should be warm before draining.

Other types of motor oils may be substituted if they meet the following requirements:

- API Service Classification CH-4
- API Service Classification CG-4
- API Service Classification CF-4
- ACEA Specification E3
- ACEA Specification E2

Table 11. Recommended Motor Oil		OIL: SAE	
°F	°C		
122	50	10W/40	10W/40
104	40	30	15W/30
86	30	10W/40	10W/30
68	20	ARCTIC OIL	10W
50	10	5W/30	20W/40
32	0		
-14	-10		
-4	-20		
-22	-30		
-40	-40		

Fuel Check

! DANGER - EXPLOSION/FIRE HAZARDS

Fuel spillage on a **hot** engine can cause a **fire** or **explosion**. If fuel spillage occurs, wipe up the spilled fuel completely to prevent fire hazards. **NEVER** smoke around or near the generator.

Refilling the Fuel System

! CAUTION - REFUELING THE GENERATOR

ONLY properly trained personnel who have read and understand this section should refill the fuel tank system.

This generator has an internal fuel tank located inside the trailer frame and may also be equipped with an environmental fuel tank (Figure 31). **ALWAYS** fill the fuel tanks with clean fresh **#2 diesel fuel**. **DO NOT** fill the fuel tanks beyond their capacities.

Pay attention to the fuel tank capacity when replenishing fuel. The fuel tank cap must be closed tightly after filling. Handle fuel in a safety container. If the container does not have a spout, use a funnel. Wipe up any spilled fuel immediately.

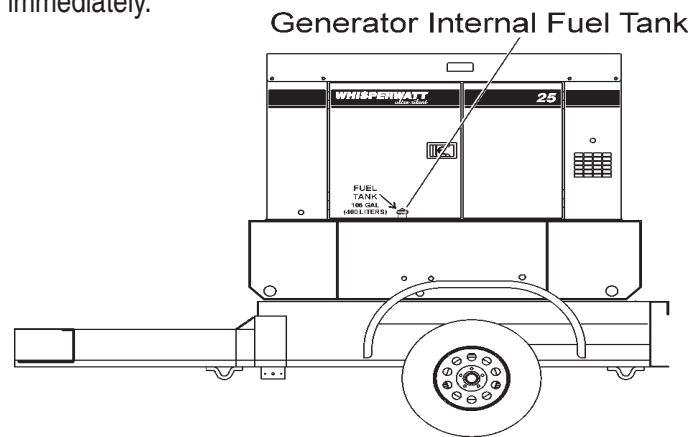



Figure 31. Internal Fuel Tank System

Refueling Procedure:

! WARNING - RESPIRATORY HAZARDS

Diesel fuel and its vapors are dangerous to your health and the surrounding environment. Avoid skin contact and/or inhaling fumes.



1. **Level Tanks** – Make sure fuel cells are level with the ground. Failure to do so will cause fuel to spill from the tank before reaching full capacity (Figure 32).

! CAUTION - REFUELING THE GENERATOR

ALWAYS place trailer on firm level ground before refueling to prevent spilling and maximize the amount of fuel that can be pumped into the tank.

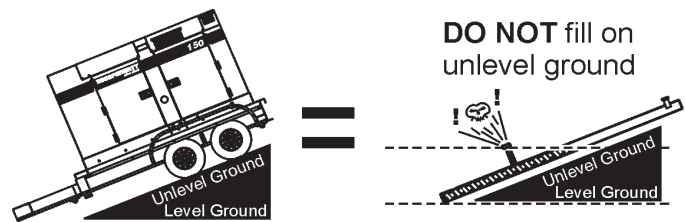


Figure 32. Only Fill on Level Ground

NOTICE

ONLY! use #2 diesel fuel when refueling.

3. Open cabinet doors on the “right side” of the generator (from generator control panel position). Remove fuel cap and fill tank (Figure 33).

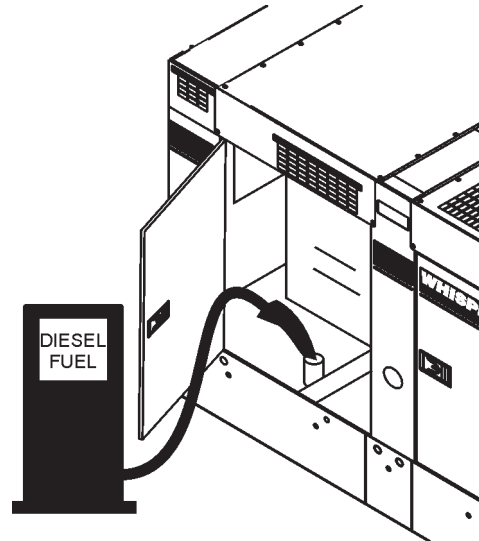


Figure 33. Fueling the Generator

3. **NEVER overfill fuel tank** – It is important to read the fuel gauge when filling trailer fuel tank. **DO NOT** wait for fuel to rise in filler neck (Figure 34).

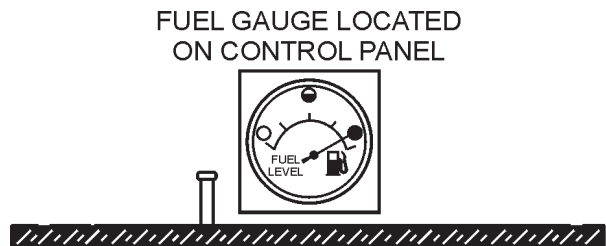


Figure 34. Full Fuel Tank

! CAUTION - REFUELING THE GENERATOR

DO NOT OVER-FILL fuel system. Leave room for fuel expansion. Fuel expands when heated (Figure 35).




Figure 35. Fuel Expansion

Coolant (ISUZU Antifreeze/Summer Coolant/Water)

ISUZU recommends ISUZU Antifreeze/Summer Coolant for use in thier engines, which can be purchased in concentrate (and mixed with 50% demineralized water) or pre-diluted. See the **ISUZU Engine Owner's Manual** for further details.

! WARNING - BURN HAZARDS

If adding coolant/antifreeze mix to the radiator, **DO NOT** remove the radiator cap until the unit has completely cooled. The possibility of **hot!** coolant exists which can cause severe burns.



Day-to-day addition of coolant is done from the recovery tank. When adding coolant to the radiator, **DO NOT** remove the radiator cap until the unit has completely cooled. See Table 12 for engine, radiator, and recovery tank coolant capacities. Make sure the coolant level in the recovery tank is always between the "H" and the "L" markings.

Table 12. Coolant Capacity	
Engine and Radiator	1.70 gal. (6.4 liters)
Reserve Tank	0.26 gal. (1 liter)

Operation Freezing Weather

When operating in freezing weather, be certain the proper amount of antifreeze (Table 13) has been added.

Table 13. Anti-Freeze Operating Temperatures				
Vol % Anti-Freeze	Freezing Point		Boiling Point	
	°C	°F	°C	°F
40	-24	-12	106	222
50	-37	-34	108	226

NOTICE

When the antifreeze is mixed with water, the antifreeze mixing ratio **must be** less than 50%.

Cleaning the Radiator

The engine may overheat if the radiator fins become overloaded with dust or debris. Periodically clean the radiator fins with compressed air. Cleaning inside the machine is dangerous, so clean only with the engine turned off and the **negative** battery terminal disconnected.

Air Cleaner

Periodic cleaning/replacement is necessary. Inspect it in accordance with the **ISUZU Engine Owner's Manual**.

Fan Belt Tension

A slack fan belt may contribute to overheating, or to insufficient charging of the battery. Inspect the fan belt for damage and wear and adjust it in accordance with the **ISUZU Engine Owner's Manual**.

The fan belt tension is proper if the fan belt bends 10 to 15 mm (Figure 36) when depressed with the thumb as shown below.

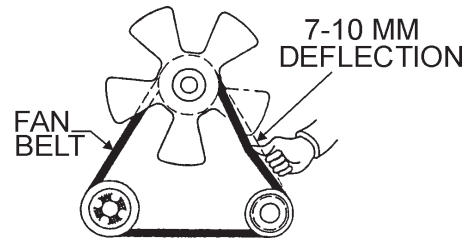


Figure 36. Fan Belt Tension

! CAUTION

NEVER place hands near the belts or fan while the generator set is running.

Battery

This unit is of negative ground **DO NOT** connect in reverse. Always maintain battery fluid level between the specified marks. Battery life will be shortened, if the fluid level are not properly maintained. Add only distilled water when replenishment is necessary.

DO NOT over fill. Check to see whether the battery cables are loose. Poor contact may result in poor starting or malfunctions. **Always** keep the terminals firmly tightened. Coating the terminals with an approved battery terminal treatment compound. Replace battery with only recommended type battery.

The battery is sufficiently charged if the specific gravity of the battery fluid is 1.28 (at 68° F). If the specific gravity should fall to 1.245 or lower, it indicates that the battery is dead and needs to be recharged or replaced.

Before charging the battery with an external electric source, be sure to disconnect the battery cables.

Battery Cable Installation

ALWAYS be sure the battery cables (Figure 37) are properly connected to the battery terminals as shown below. The **Red Cable** is connected to the positive terminal of the battery, and the **Black Cable** is connected to the negative terminal of the battery.

⚠ CAUTION - BATTERY SERVICING SAFETY

ALWAYS disconnect the negative terminal **FIRST** and reconnect negative terminal **LAST**.

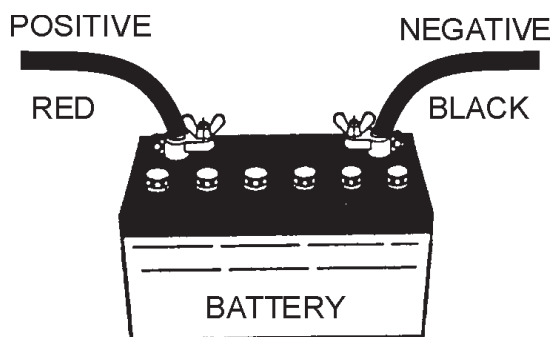


Figure 37. Battery Connections

When connecting battery do the following:

1. **NEVER** connect the battery cables to the battery terminals when the **ignition** switch is in either the **Pre-Heat, RUN, or START** position. **ALWAYS** make sure that the ignition switch is in the **STOP** position when connecting the battery.
2. Place a small amount of battery terminal treatment compound around both battery terminals. This will ensure a good connection and will help prevent corrosion around the battery terminals.

NOTICE

If the battery cable is connected incorrectly, electrical damage to the generator will occur. Pay close attention to the polarity of the battery when connecting the battery.

⚠ CAUTION

Inadequate battery connections may cause poor starting of the generator, and create other malfunctions.

Alternator

The polarity of the alternator is negative grounding type. When an inverted circuit connection takes place, the circuit will be in short circuit instantaneously resulting the alternator failure.

DO NOT put water directly on the alternator. Entry of water into the alternator can cause corrosion and damage the alternator.

Wiring

Inspect the entire generator for bad or worn electrical wiring or connections. If any wiring or connections are exposed (insulation missing) replace wiring immediately.

Piping and Hose Connection

Inspect all piping, oil hose, and fuel hose connections for wear and tightness. Tighten all hose clamps and check hoses for leaks.

If any hose (**fuel** or **oil**) lines are defective replace them immediately.

Before Starting

CAUTION - LETHAL EXHAUST HAZARD

The engine's exhaust contains harmful emissions. **ALWAYS have adequate ventilation when operating.** Direct exhaust away from nearby personnel.

WARNING - STARTING THE GENERATOR

NEVER! manually start the engine with the **main, GFCI** or **auxiliary** circuit breakers in the **ON** (closed) position.

- Place the **main, G.F.C.I.,** and **aux.** circuit breakers (Figure 38) in the **OFF** position prior to starting the engine.

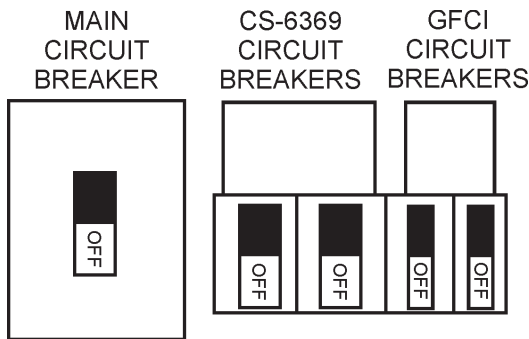


Figure 38. Main, Aux. and GFCI Circuit Breakers (OFF)

- Connect the load to the **receptacles** or the **Output Terminal Lugs** as shown in (Figure 11). These load connection points can be found on the output terminal panel and the output terminal panel's hard wire hookup panel.
- The output terminal lugs are protected by a plastic cover. Remove this cover to gain access to the terminals. Tighten terminal nuts securely to prevent load wires from slipping out.
- Close all engine enclosure doors (Figure 39).

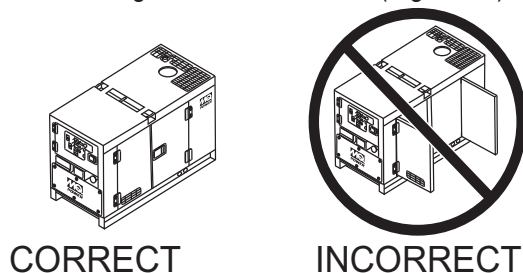


Figure 39. Engine Enclosure Doors

Start-up Procedure

- Place the **voltage selector switch** in the desired voltage position (Figure 40).

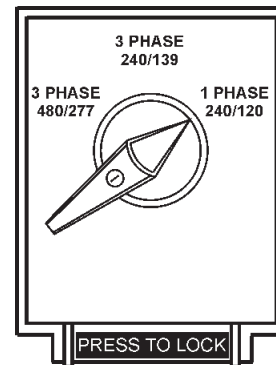


Figure 40. Voltage Selector Switch

- In warm weather conditions, skip to step 3. Preheat the engine **glow plugs** by turning the ignition key (Figure 41) to the **RUN** position. When the preheat lamp (Figure 42) illuminates, proceed to step 3.

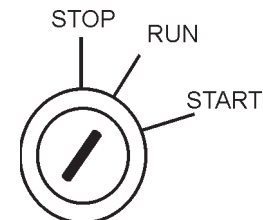


Figure 41. Ignition Switch Pre-Heat (Run Position)

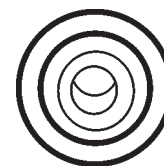


Figure 42. Pre-Heat Indicator Lamp

- Turn the ignition key to the **START** position (Figure 43). Once the engine starts, release the ignition key and allow it to return to the **RUN** position (Figure 41).
If the engine fails to start after 10 seconds, wait approximately 30 seconds and repeat steps 2-3.

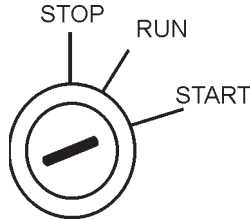


Figure 43. Ignition Switch (Start Position)

- Let the engine idle for 3-5 minutes, listen and check for any abnormal sounds or smells. Check for fuel leaks, and noises that would associate with a loose cover or hardware.

Check the electric motor fan cooling the radiator for abnormal speed, sound or vibration conditions.

If any of the above mentioned conditions exists, shut-down the engine and correct the problem before operating the generator.

- The generator's frequency meter (Figure 44) displays the 60 cycle output frequency in **HERTZ**.

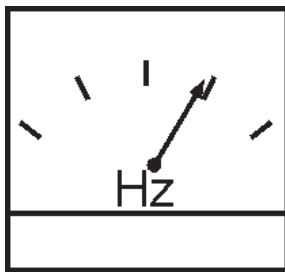


Figure 44. Frequency Meter (Hz)

- The generator's AC-voltmeter (Figure 45) displays the output voltage in **VOLTS**. If the voltage is not within the specified frequency tolerance, use the voltage adjustment control knob (Figure 46) to increase or decrease the desired voltage.

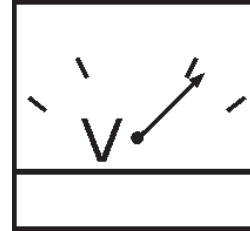


Figure 45. AC Voltmeter



Figure 46. Voltage Adjust Control Knob

- The ammeter (Figure 47) will indicate zero amps with no load applied. When a load is applied, this meter will indicate the amount of current that the load is drawing from the generator.

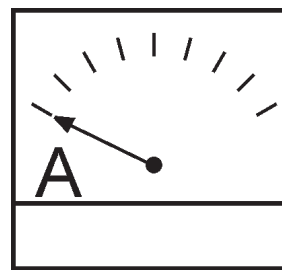


Figure 47. Ammeter (No Load)

8. The engine oil pressure gauge (Figure 48) will indicate the oil pressure of the engine. Under normal operating conditions the oil pressure is approximately 28~71 psi (193~490 kPa).

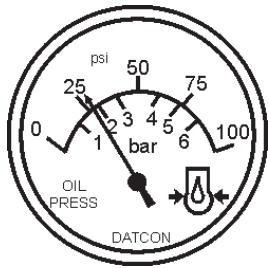


Figure 48. Oil Pressure Gauge

9. The coolant temperature gauge (Figure 49) will indicate the coolant temperature. Under normal operating conditions the coolant temperature is between 165°~203° F. (74°~95° C).

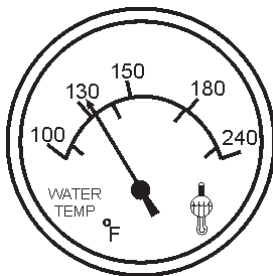


Figure 49. Coolant Temperature Gauge

10. The tachometer (Figure 50) will indicate the speed of the engine when the generator is operating. Under normal operating conditions this speed is approximately 1800 RPM's.

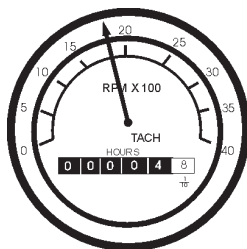


Figure 50. Engine Tachometer

11. Turn the **main**, **GFCI**, and **aux.** circuit breakers to the **ON** position (Figure 51).

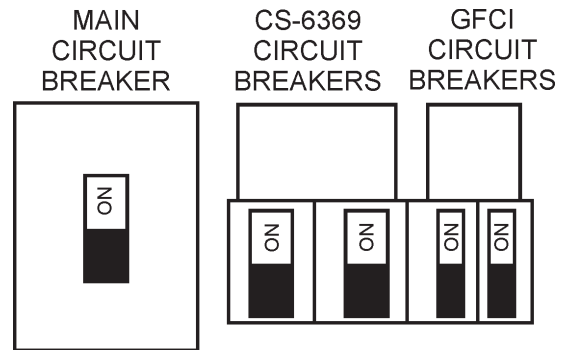


Figure 51. Main, AUX. and GFCI Circuit Breakers (ON)

12. Observe the generator's ammeter (Figure 52) and verify it reads the anticipated amount of current with respect to the load. The ammeter will only display a current reading if the load is in use.

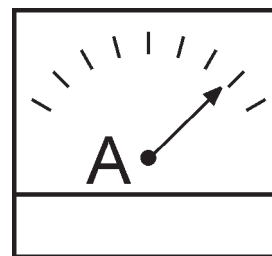


Figure 52. Ammeter (Load)

13. The generator will run until manually stopped or an abnormal condition occurs.

Normal Shut-down Procedure

To shutdown the generator, use the following procedure:

1. Switch the **MAIN**, **AUX** and **GFCI** circuit breakers (Figure 53) to the **OFF** position (no load).

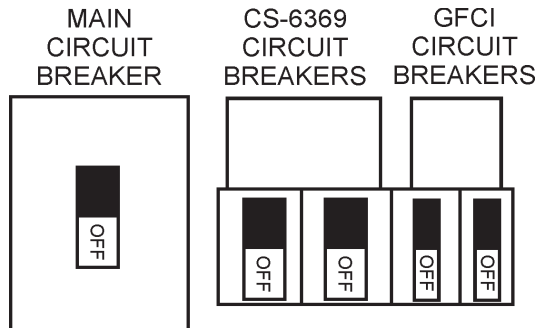


Figure 53. Main, AUX. and GFCI Circuit Breakers (OFF)

3. Let the engine cool by running it for 3-5 minutes with no load applied (circuit breakers in the **OFF** position).
4. Place the ignition switch (Figure 54) in the “**STOP**” position, remove the key and store in a safe place.

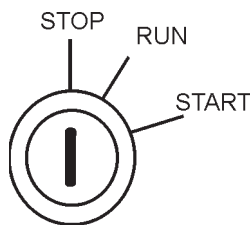


Figure 54. Ignition Switch (Off Position)

5. Remove **all** loads from the generator.
6. Allow for sufficient time for cooling and then inspect the complete unit for any damage or loosening that may have occurred during operation.
7. Check the engine oil, coolant and fuel levels. Replenish as necessary.

Emergency Shut-down Procedure

1. To shut-down the engine in the event of an emergency, switch the **MAIN**, **GFCI** and **LOAD** (Figure 53) circuit breakers to **OFF** position.
2. Turn the ignition switch key to the **STOP** position (Figure 54).

Automatic Shut-down System

This unit is equipped with safety devices to automatically stop the engine in the event of low oil pressure, approximately 14 psi (97 kPa), or high water temperature, approximately 230° F (110° C). The alarm lamps on the Engine Control Panel illuminate to signify the reason for the shutdown.

CAUTION

After automatic shut-down, **ALWAYS** inspect the unit and eliminate any problems before attempting to restart. Failure to do so can damage the unit.

Before inspecting, turn the **starter switch** to the **STOP** position, place all **Generator Circuit Breakers** in the **OFF** position and allow sufficient time for adequate cooling. When ready to restart, complete all steps in the Generator Startup Procedure section of this manual.

NOTICE

Engine protection is furnished during operation, but cannot replace normal preventive maintenance.

Regularly maintain the unit as specified in the Maintenance section of this manual to prevent damage.

TABLE 14. INSPECTION/MAINTENANCE		10 Hrs DAILY	250 Hrs	500 Hrs	1000 Hrs
ENGINE	Check Engine Fluid Levels	X			
	Check Air Cleaner	X			
	Check Battery Acid Level	X			
	Check Fan Belt Condition	X			
	Check for Leaks	X			
	Check for Loosening of Parts	X			
	Replace Engine Oil and Filter * 1		X		
	Drain Bottom of Fuel Tank		X		
	Check Fuel Filter/Water Separator Bowl		X		
	Clean Unit, Inside and Outside		X		
	Check Blowby Hose * 2		X		
	Clean Air Filter		X		
	Replace Air Filter Element * 3			X	
	Change Fuel Filter			X	
	Clean Radiator and Check Coolant Protection Level			X	
	Check all Hoses and Clamps				X
Clean Inside of Fuel Tank				X	
GENERATOR	Measure Insulation Resistance		X		
	Check Rotor Rear Support Bearing			X	

*1 Replace engine oil and filter at 100 hours, first time only.

*2 If blowby hose needs to be replaced, ensure that the slope of the blowby hose is at least a 1/2 inch per foot, with no sags or dips that could collect moisture and/or oil.

*3 Replace primary air filter element when restriction indicator shows a vacuum of 625 mm. (25 in.) H₂O

General Inspection

Prior to each use, the generator should be cleaned and inspected for deficiencies. Check for loose, missing or damaged nuts, bolts or other fasteners. Also check for fuel, oil, and coolant leaks. Use Table 14 as a general maintenance guideline. **Engine Side**, refer to the Engine Instruction Manual

Air Cleaner

Every 50 hours: Remove air cleaner element and clean the heavy duty paper element with kerosene, or foam element with liquid detergent and hot water. Wrap foam element in a cloth and squeeze dry. For heavy duty paper element, wipe excess kerosene with towel.

Air Cleaner with Dust Indicator

This indicator is attached to the air cleaner. When the air cleaner element is clogged, air intake restriction becomes greater and the dust indicator signal shows “**RED**” meaning the element needs changing. After changing the air element, press the dust indicator button to reset the indicator.

Service Daily

If the engine is operating in very **dusty** or **dry grass** conditions, a clogged air cleaner will result. This can lead to a loss of power, excessive carbon buildup in the combustion chamber and high fuel consumption. Change air cleaner more **frequently** if these conditions exist.

Fuel Addition

Add diesel fuel (the grade may vary according to season and locations). Always pour through the mesh filter.

Removing Water from the Fuel Tank

After prolonged use, water and other impurities accumulate in the bottom of the tank. Occasionally remove the drain cock and drain the contents. During cold weather, the more empty volume inside the tank, the easier it is for water to condense. This can be reduced by keeping the tank full with diesel fuel.

Air Removal

If air enters the fuel injection system of a diesel engine, starting becomes impossible. After running out of fuel, or after disassembling the fuel system, bleed the system according to the following procedure.

To restart after running out of fuel, turn the switch to the **ON** position for 15-30 seconds. Try again, if needed. This unit is equipped with an automatic air bleeding system.

Cleaning the Fuel Strainer

Clean the fuel strainer if it contains dust or water. Remove dust or water in the strainer cap and wash it in gasoline. Securely fasten the fuel strainer cap so that fuel will not leak. Check the fuel strainer every 200 hours of operation or once a month.

Check Oil Level

Check the crankcase oil level prior to each use, or when the fuel tank is filled. Insufficient oil may cause severe damage to the engine. Make sure the generator is level. The oil level must be between the two notches on the dipstick as shown in Figure 30.

Replacing Oil Filter

- Detach the oil filter by loosening center bolt and remove the element together with the filter body.
- Apply a film of oil to the gasket for the cartridge.
- Install the filter body together with the element and fix them by tightening the center bolt.
- After the oil cartridge has been replaced, the engine oil will drop slightly. Run the engine for a while and check for leaks before adding more oil if needed. Clean excessive oil from engine.

Replacing Fuel Filter

- Replace the fuel filter cartridge with new one every 400 hours or so.
- Loosen the drain plug at the lower top of the fuel filter. Drain the fuel in the fuel body together with the mixed water. **DO NOT** spill the fuel during disassembly.
- Vent any air.

Feed Pump Strainer Cleaning

The strainer is incorporated in the feed pump inlet side joint bolt. Clean the strainer with compressed air and rinse it in the fuel oil.

Flushing Out Radiator and Replacing Coolant

- Open both cocks located at the crankcase side and at the lower part of the radiator and drain coolant. Open the radiator cap while draining. Remove the overflow tank and drain.
- Check hoses for softening and kinks. Check clamps for signs of leakage.
- Flush the radiator by running clean tap water through radiator until signs of rust and dirt are removed. **DO NOT** clean radiator core with any objects, such as a screwdriver.
- Tighten both cocks and replace the overflow tank.
- Replace with coolant (Table 12 for correct mixture).
- Close radiator cap tightly.

CAUTION

Allow engine to **cool** when flushing out radiator. Flushing the radiator while hot could cause serious burns from water or steam.

Generator Storage

For long term storage of the generator the following is recommended:

- Fill the fuel tank completely. Treat with a fuel stabilizer if necessary.
- Completely drain the oil from the crankcase and refill if necessary with fresh oil.
- Clean the entire generator, internal and external.
- Cover the generating set and store in a clean, dry place.
- Disconnect the battery.
- Make sure engine coolant is at proper level.
- If generator is mounted on a trailer, jack trailer up and place on block so tires do touch the ground or remove tires.

Brakes

Trailer brakes should be inspected the **first 200 miles** of operation. This will allow the brake shoes and drums to seat properly. After the first 200 mile interval, inspect the brakes **every 3,000 miles**. If driving over rough terrain, inspect the brakes more frequently.

Figure 55 displays the major hydraulic surge brake components that will require inspection and maintenance. Please inspect these components as required using steps 1 through 8 and Table 15 as listed below:

Brake Adjustment

1. Place the trailer on jack stands. Make sure the jack stands are placed on secure level ground.
2. Check the wheel and drum for free rotation.
3. Remove the adjusting hole cover from the adjusting slot at the bottom brake backing plate.
4. With a screwdriver or standard adjusting tool, rotate the star wheel of the adjuster assembly to expand the brake shoes.
5. Adjust the brake shoes outward until the pressure of the lining against the wheel drum makes the wheel difficult to turn.
6. Adjust, rotate the star wheel in the opposite direction until the wheel rotates freely with slight lining drag.
7. Replace the adjusting hole cover and lower the trailer to the ground.
8. Repeat steps 1 through 7 on the remaining brakes.

Hydraulic Surge Brakes

Hydraulic surge brakes (Figure 53) should not require any special attention with the exception of routine maintenance such as shoe and lining replacement. Brake lines should be periodically checked for cracks, kinks, or blockage.

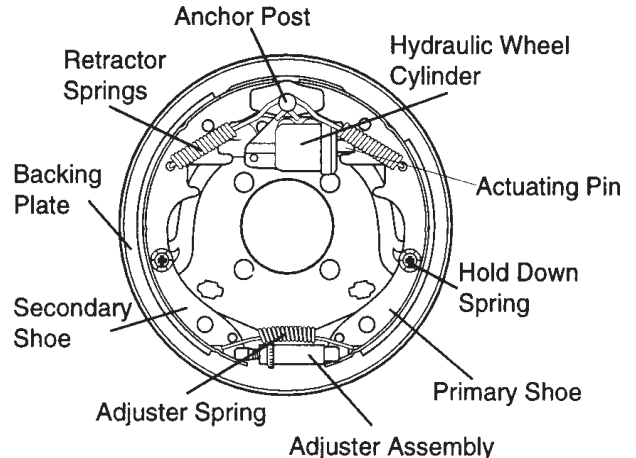


Figure 55. Hydraulic Brake Components

Actuator

Hydraulic surge braking requires the installation of an actuator at the tongue of the trailer. Remember the **surge** or **push** of the trailer toward the tow vehicle automatically synchronizes the trailer brakes with the tow vehicle brakes. As the trailer pushes against the tow vehicle the actuator telescopes together and applies force to the master cylinder, supplying hydraulic pressure to the trailer brakes.

Periodically check and test the surge “**actuator**” to make sure that it is functioning correctly. Never use an undersize actuator.

Table 15. Hydraulic Brake Troubleshooting

Symptom	Possible Cause	Solution
No Brakes	Brake line broken or kinked?	Repair or replace.
Weak Brakes or Brakes Pull to One Side	Brake lining glazed?	Reburnish or replace.
	Trailer overloaded?	Correct weight.
	Brake drums scored or grooved?	Machine or replace.
	Tire pressure correct?	Inflate all tires equally.
	Tires unmatched on the same axle?	Match tires.
Locking Brakes	Brake components loose, bent or broken?	Replace components.
	Brake drums out-of-round?	Replace.
Noisy Brakes	System lubricated?	Lubricate.
	Brake components correct?	Replace and correct.
Dragging Brakes	Brake lining thickness incorrect or not adjusted correctly?	Install new shoes and linings.
	Enough brake fluid or correct fluid?	Replace rubber parts fill with dot 4 fluid.

TRAILER MAINTENANCE

Tires/Wheels/Lug Nuts

Tires and wheels are a very important and critical components of the trailer. When specifying or replacing the trailer wheels it is important the wheels, tires, and axle are properly matched.


! CAUTION - EYESIGHT HAZARD

ALWAYS wear safety glasses when removing or installing force fitted parts. Failure to comply may result in serious injury.



! CAUTION - REPAIRING TRAILER WHEELS







DO NOT attempt to repair or modify a wheel. **DO NOT** install in inner tube to correct a leak through the rim. If the rim is cracked, the air pressure in the inner tube may cause pieces of the rim to explode (break off) with great force and cause serious eye or bodily injury.



Tire Wear/Inflation

Tire inflation pressure is the most important factor in tire life. Pressure should be checked cold before operation **DO NOT** bleed air from tires when they are **hot!** Check inflation pressure weekly during use to insure the maximum tire life and tread wear.

Table 16 (Tire Wear Troubleshooting) will help pinpoint the causes and solutions of tire wear problems.

TABLE 16. TIRE WEAR TROUBLESHOOTING		
WEAR PATTERN	CAUSE	SOLUTION
 Center Wear	Over Inflation.	Adjust pressure to particular load per tire manufacturer.
 Edge Wear	Under Inflation.	Adjust pressure to particular load per tire manufacturer.
 Side Wear	Loss of camber or overloading.	Make sure load does not exceed axle rating. Align wheels.
 Toe Wear	Incorrect toe-in.	Align wheels.
 Cupping	Out-of-balance.	Check bearing adjustment and balance tires.
 Flat Spots	Wheel lockup & tire skidding.	Avoid sudden stops when possible and adjust brakes.

Suspension

The **leaf suspension** springs and associated components (Figure 56) should be visually inspected every 6,000 miles for signs of excessive wear, elongation of bolt holes, and loosening of fasteners. Replace all damaged parts (suspension) immediately. Torqued suspension components as detailed in Table 17.

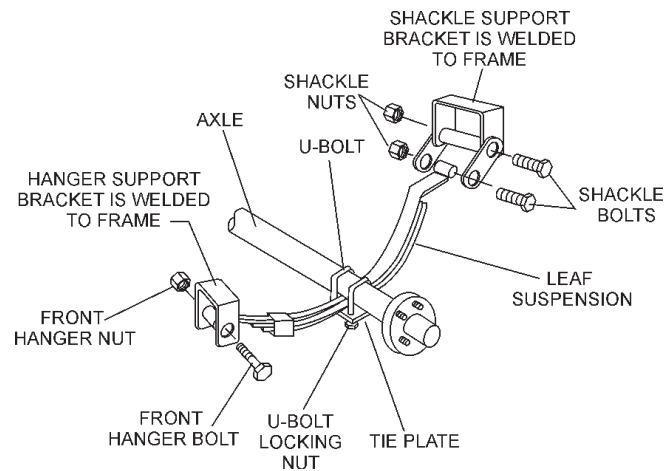


Figure 56. Major Suspension Components

Table 17. Suspension Torque Requirements

Item	Torque (Ft.-Lbs.)
3/8" U-BOLT	MIN-30 MAX-35
7/16" U-BOLT	MIN-45 MAX-60
1/2" U-BOLT	MIN-45 MAX-60
SHACKLE BOLT SPRING EYE BOLT	SNUG FIT ONLY. PARTS MUST ROTATE FREELY. LOCKING NUTS OR COTTER PINS ARE PROVIDED TO RETAIN NUT-BOLT ASSEMBLY.
SHOULDER TYPE SHACKLE BOLT	MIN-30 MAX-50

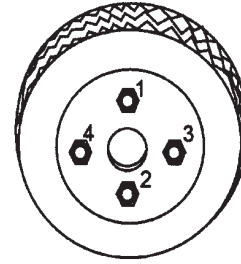
TRAILER MAINTENANCE

Lug Nut Torque Requirements

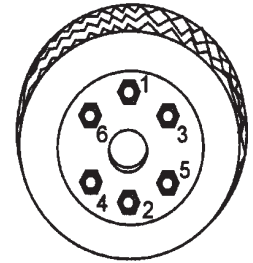
It is extremely important to apply and maintain proper wheel mounting torque on the trailer. Be sure to use only the fasteners matched to the cone angle of the wheel. Proper procedure for attachment of the wheels is as follows:

1. Start all wheel lug nuts by hand.
2. Torque all lug nuts in sequence (see Figure 57). **DO NOT** torque the wheel lug nuts all the way down. Tighten each lug nut in 3 separate passes as defined by Table 18.
3. After first road use, retorque all lug nuts in sequence. Check all wheel lug nuts periodically.

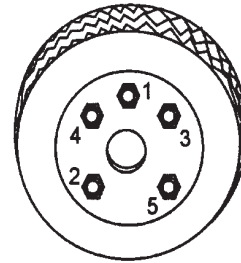
Wheel Size	First Pass FT-LBS	Second Pass FT-LBS	Third Pass FT-LBS
12"	20-25	35-40	50-65
13"	20-25	35-40	50-65
14"	20-25	50-60	90-120
15"	20-25	50-60	90-120
16"	20-25	50-60	90-120



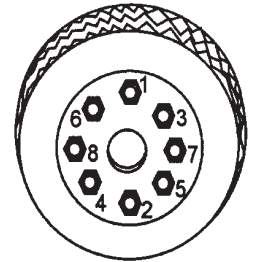
4-LUG NUTS



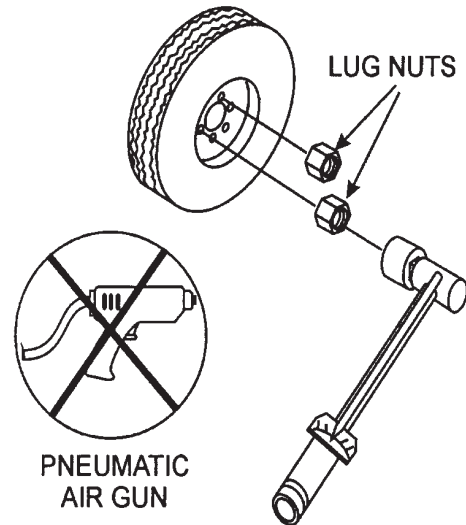
6-LUG NUTS



5-LUG NUTS



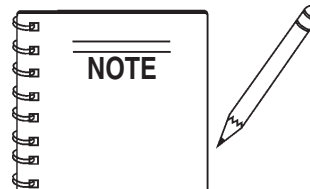
8-LUG NUTS



PNEUMATIC AIR GUN

TORQUE WRENCH

Figure 57. Wheel Lug Nuts Tightening Sequence



NEVER use an pneumatic air gun to tighten wheel lug nuts.

TRAILER WIRING DIAGRAM

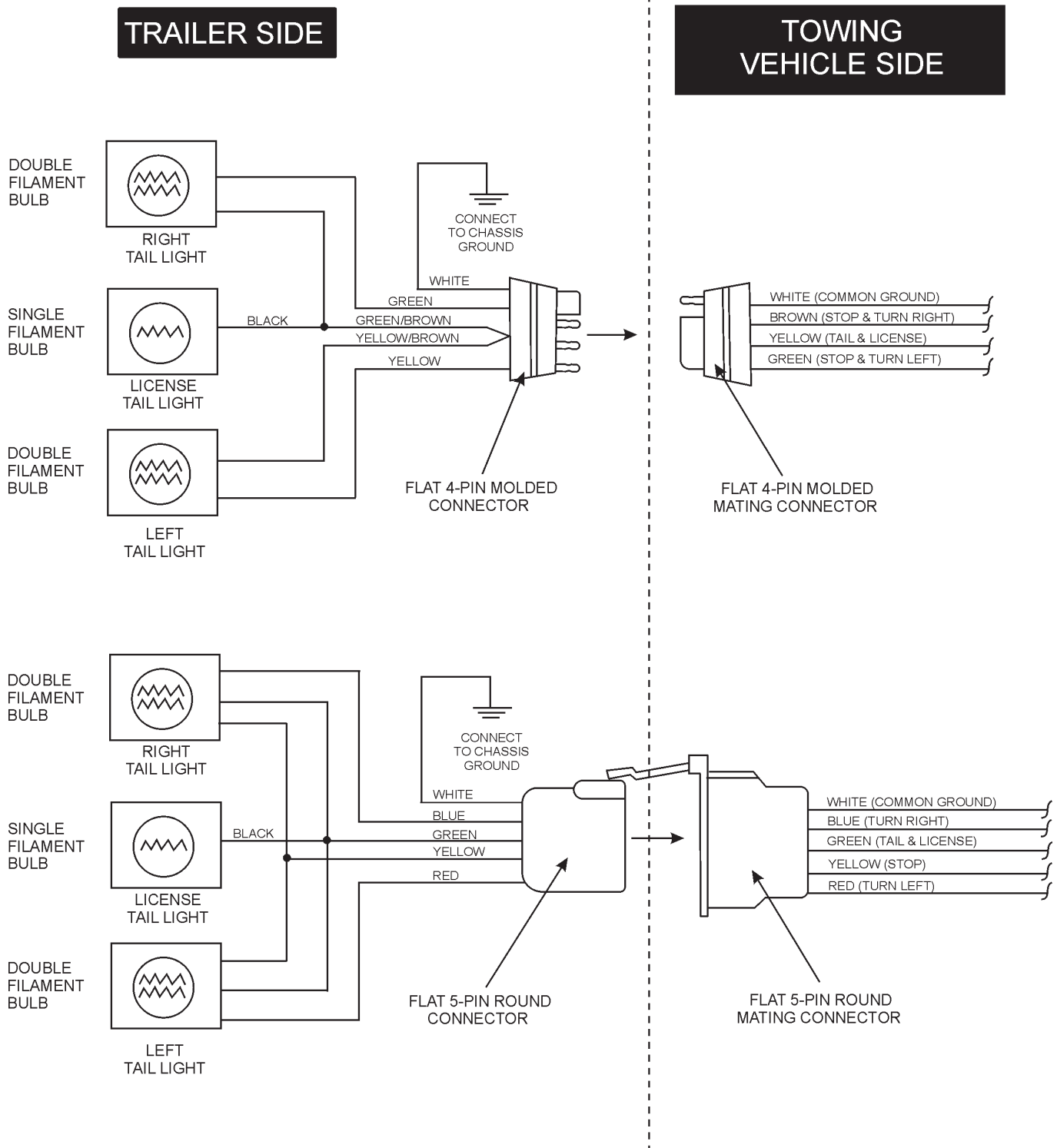
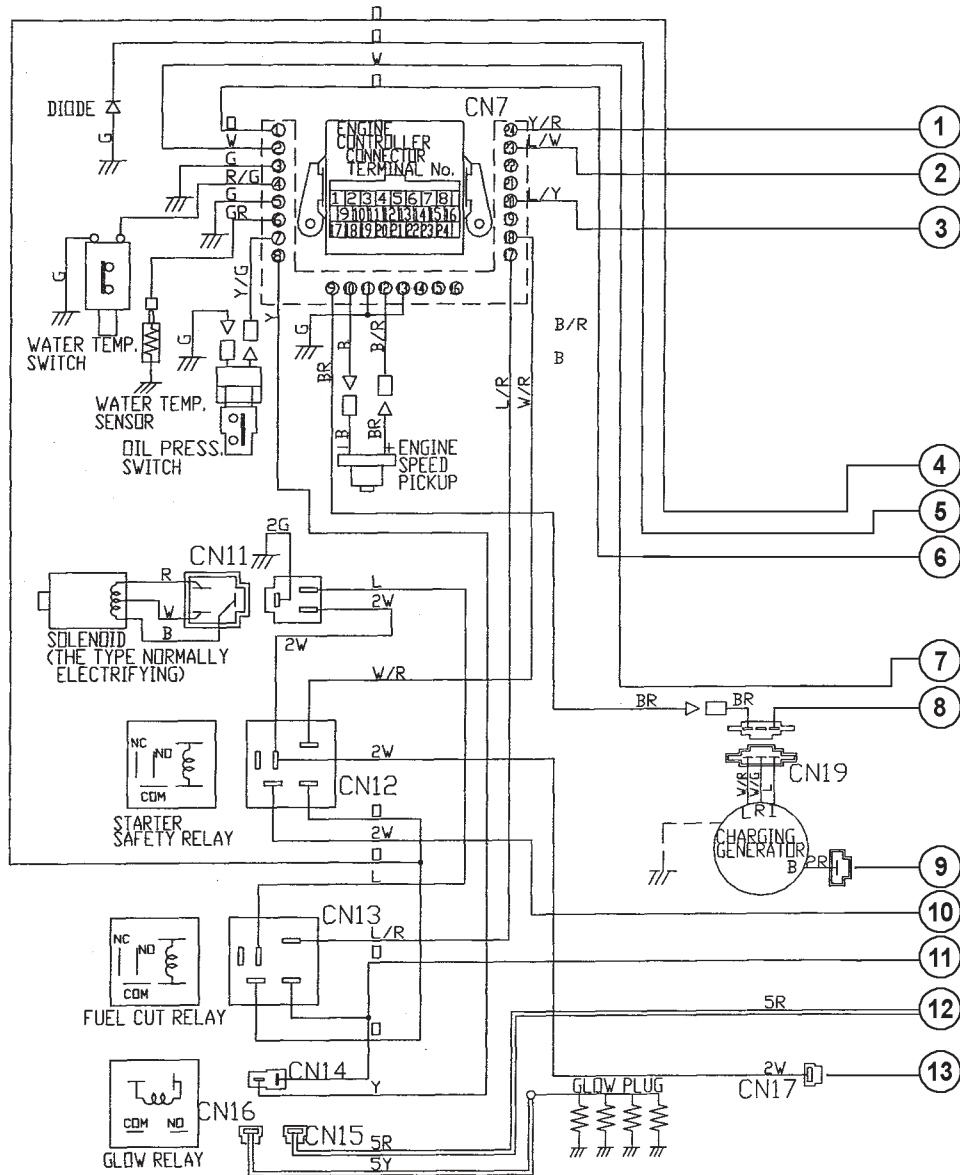


Figure 58. Trailer/Towing Vehicle Wiring Diagram

ENGINE WIRING DIAGRAM



WIRE SIZE	
60	: 50mm ²
5	: 5 mm ²
No	: 1.25mm ²

COLOR CODE			
SYM.	WIRE COLOR	SYM.	WIRE COLOR
B	BLACK	R	RED
L	BLUE	W	WHITE
BR	BROWN	Y	YELLOW
G	GREEN	LB	LIGHT BLUE
GR	GRAY	LG	LIGHT GREEN
V	VIOLET	O	ORANGE
P	PINK		

CONNECTOR
(VIEW FROM INSERTING WIRE SIDE)

KEY CONNECTION DIAGRAM						
	B	Br	R1	ACC	R2	C
OFF	○					
RUN	○	○		○		
START	○	○		○	○	○

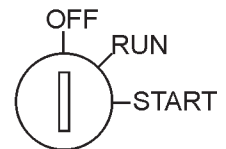
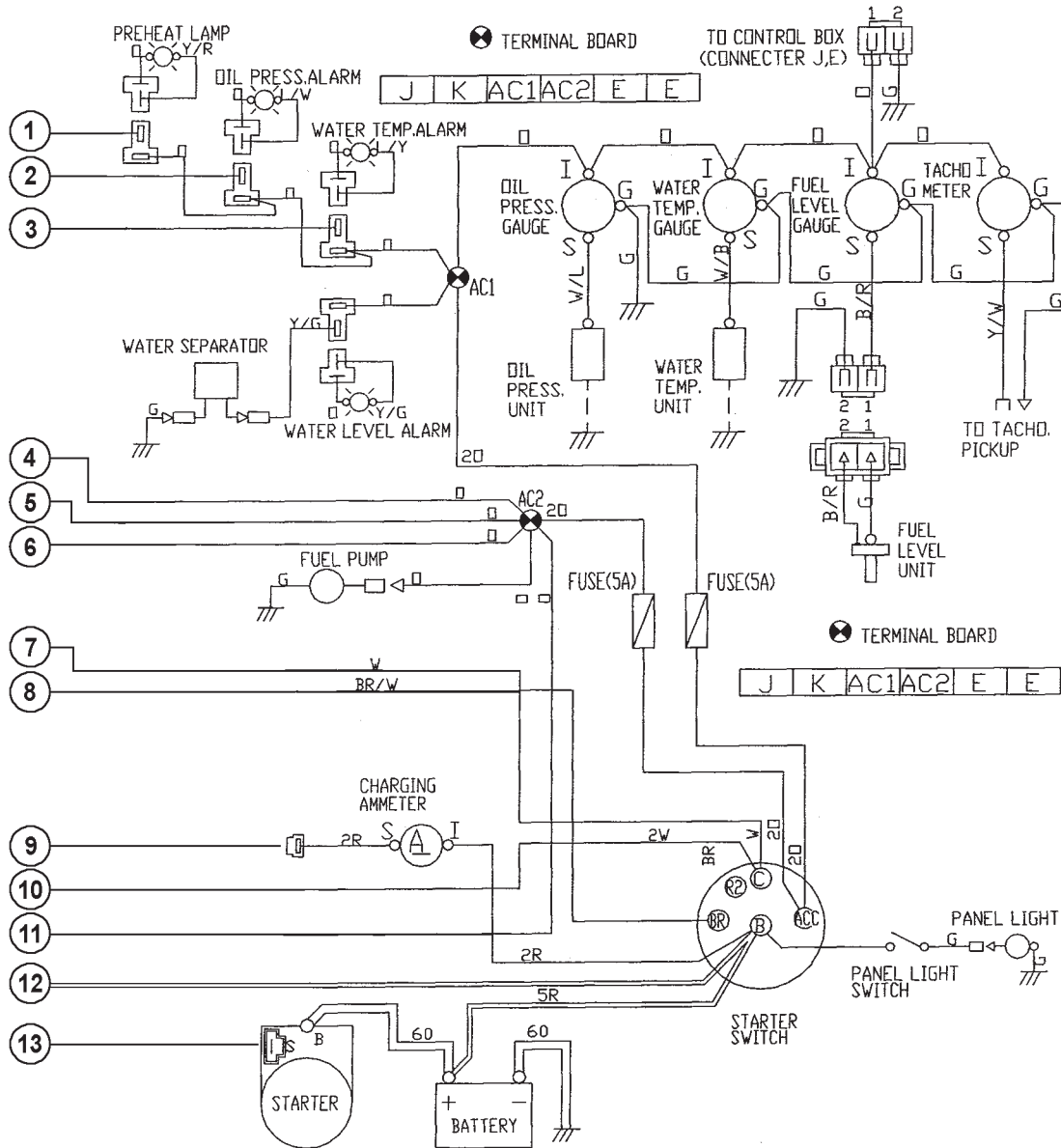


Figure 59A. Engine Wiring Diagram

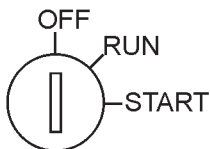
ENGINE WIRING DIAGRAM



← CONTINUED FROM PREVIOUS PAGE

WIRE SIZE	
60	: 50mm ²
5	: 5 mm ²
No	: 1.25mm ²

CONNECTOR
(VIEW FROM INSERTING WIRE SIDE)

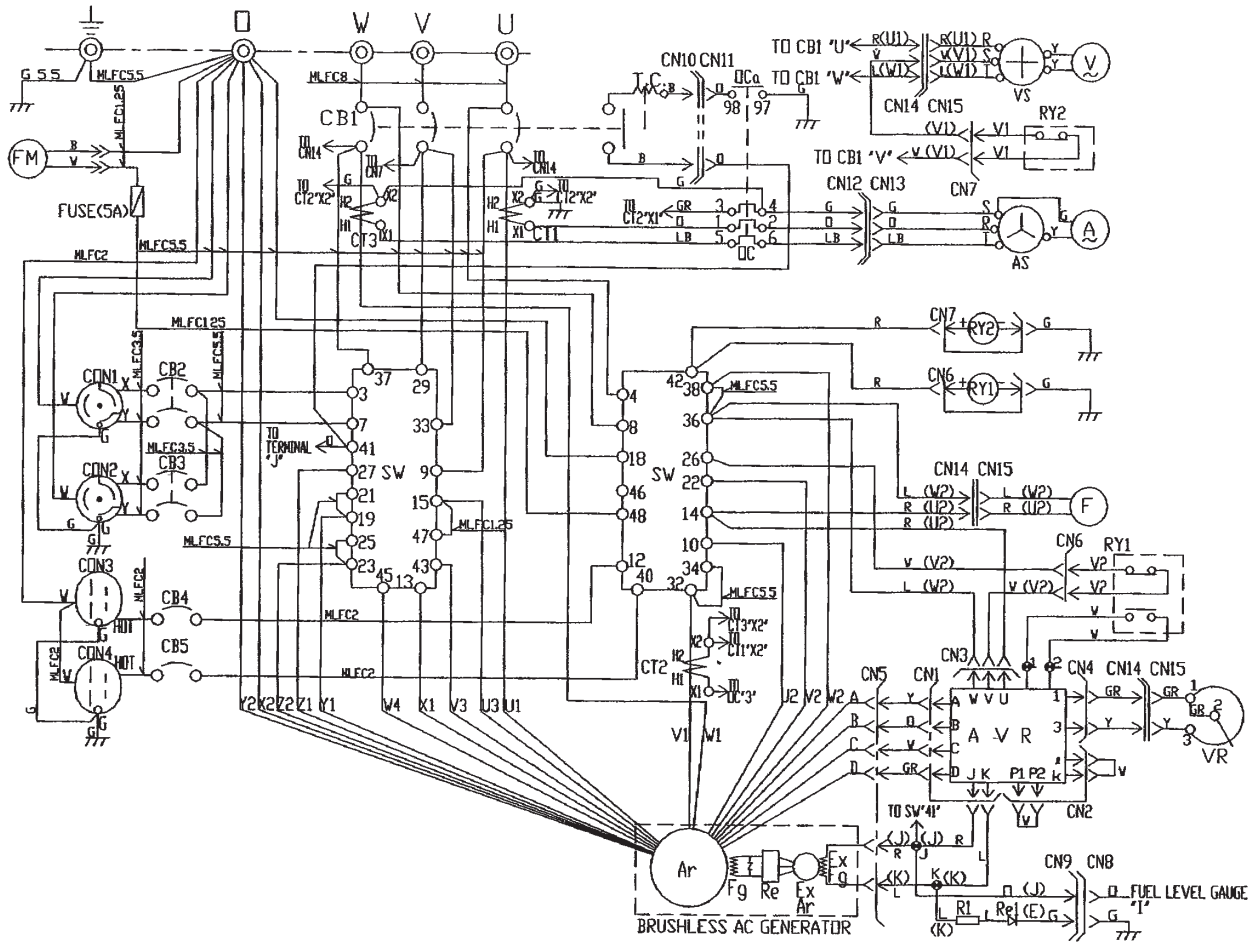


KEY CONNECTION DIAGRAM						
	B	Br	R1	ACC	R2	C
OFF	○					
RUN	○	○		○		
START	○	○		○	○	○

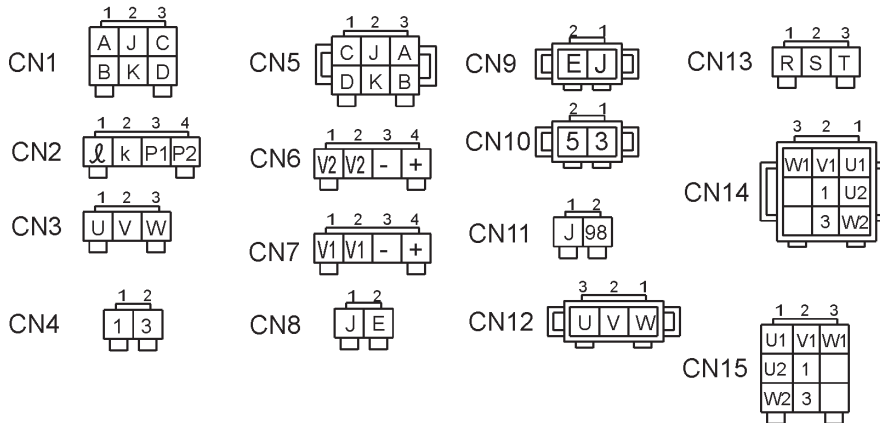
COLOR CODE			
SYM.	WIRE COLOR	SYM.	WIRE COLOR
B	BLACK	R	RED
L	BLUE	W	WHITE
BR	BROWN	Y	YELLOW
G	GREEN	LB	LIGHT BLUE
GR	GRAY	LG	LIGHT GREEN
V	VIOLET	O	ORANGE
P	PINK		

Figure 59B. Engine Wiring Diagram(Continued)

GENERATOR WIRING DIAGRAM



CONNECTOR ARRANGEMENT
(WIRING VIEW)



COLOR CODE			
SYM.	WIRE COLOR	SYM.	WIRE COLOR
B	BLACK	R	RED
L	BLUE	W	WHITE
BR	BROWN	Y	YELLOW
G	GREEN	LB	LIGHT BLUE
GR	GRAY	LG	LIGHT GREEN
V	VIOLET	O	ORANGE
P	PINK		

Notice:

1. No designation lead size : 1.25

SYMBOL	DESIGNATION
Ar	MAIN GENERATOR ARMATURE WINDING
Fg	MAIN GENERATOR FIELD WINDING
ExAr	EXCITER ARMATURE WINDING
ExFg	EXCITER FIELD WINDING
Re	RECTIFIER
AVR	AUTOMATIC VOLTAGE REGULATOR
VR	VOLTAGE REGULATOR (RHEOSTAT)
CT 1,2,3	CURRENT TRANSFORMER
AS	CHANGE-OVER SWITCH, AMMETER
A	AC AMMETER
VS	CHANGE-OVER SWITCH, VOLTMETER
V	AC VOLTMETER
F	FREQUENCY METER
CB1	CIRCUIT BREAKER 3P 60A
CB2,3	CIRCUIT BREAKER 2P 50A
CB4,5	CIRCUIT BREAKER 1P 20A
CN1,2	RECEPTACLE 250V 50A
CN3,4	RECEPTACLE 125V 20AX2
OC	OVER CURRENT RELAY
SW	SELECTOR SWITCH
RY1,2	RELAY UNIT
Re1	RELAY RECTIFIER
FM	FAN MOTOR
FUSE	5 AMPS
⊙	TERMINAL

Figure 60. Generator Wiring Diagram

TROUBLESHOOTING

Practically all breakdowns can be prevented by proper handling and maintenance inspections, but in the event of a breakdown, use Table 19 shown below for diagnosis of the engine. If the problem cannot be remedied, consult our company's business office or service plant.

TABLE 19. ENGINE TROUBLESHOOTING		
SYMPTOM	POSSIBLE PROBLEM	SOLUTION
Engine does not start.	No fuel?	Replenish fuel.
	Air in the fuel system?	Bleed system.
	Water in the fuel system?	Remove water from fuel tank.
	Fuel pipe clogged?	Clean fuel pipe.
	Fuel filter clogged?	Clean or change fuel filter.
	Excessively high viscosity of fuel or engine oil at low temperature?	Use the specified fuel or engine oil.
	Fuel with low cetane number?	Use the specified fuel.
	Fuel leak due to loose injection pipe retaining nut?	Tighten nut.
	Incorrect injection timing?	Adjust.
	Fuel cam shaft worn?	Replace.
	Injection nozzle clogged?	Clean injection nozzle.
	Injection pump malfunctioning?	Repair or replace.
	Seizure of crankshaft, camshaft, piston, cylinder liner or bearing?	Repair or replace.
	Compression leak from cylinder?	Replace head gasket, tighten cylinder head bolt, glow plug and nozzle holder.
	Improper valve timing?	Correct or replace timing gear.
Piston ring and liner worn?	Replace.	
Excessive valve clearance?	Adjust.	
Starter does not run.	Starter malfunctioning?	Repair or replace.
	Wiring disconnected?	Connect wiring.

TABLE 19. ENGINE TROUBLESHOOTING (CONTINUED)

SYMPTOM	POSSIBLE PROBLEM	SOLUTION
Engine revolution is not smooth.	Fuel filter clogged or dirty?	Clean or change.
	Air cleaner clogged?	Clean or change.
	Fuel leak due to loose injection pipe retaining nut?	Tighten nut.
	Injection pump malfunctioning?	Repair or replace.
	Incorrect nozzle opening pressure?	Adjust.
	Injection nozzle stuck or clogged?	Repair or replace.
	Fuel over flow pipe clogged?	Clean.
	Governor malfunctioning?	Repair.
Either white or blue exhaust gas is observed.	Excessive engine oil?	Reduce to the specified level.
	Piston ring and liner worn or stuck?	Repair or replace.
	Incorrect injection timing?	Adjust.
	Deficient compression?	Adjust top clearance.
Either black or dark gray exhaust gas is observed.	Overload?	Lessen the load.
	Low grade fuel used?	Use the specified fuel.
	Fuel filter clogged?	Clean or change.
	Air cleaner clogged?	Clean or change.
	Deficient nozzle injection?	Repair or replace the nozzle.
Deficient output.	Incorrect injection timing?	Adjust.
	Engine's moving parts seem to be seizing?	Repair or replace.
	Uneven fuel injection?	Repair or replace the injection pump.
	Deficient nozzle injection?	Repair or replace the nozzle.
	Compression leak?	Replace head gasket, tighten cylinder head bolt, glow plug and nozzle holder.

TROUBLESHOOTING

Practically all breakdowns can be prevented by proper handling and maintenance inspections, but in the event of a breakdown, use Table 20 shown below for diagnosis of the Generator. If the problem cannot be remedied, consult our company's business office or service plant.

TABLE 20. GENERATOR TROUBLESHOOTING

SYMPTOM	POSSIBLE PROBLEM	SOLUTION
No Voltage Output	AC Voltmeter defective?	Check output voltage using a voltmeter.
	Is wiring connection loose?	Check wiring and repair.
	Is AVR defective?	Replace if necessary.
	Defective Rotating Rectifier?	Check and replace.
	Defective Exciter Field?	Check for 17.3 ohms across J & K on CN1
Low Voltage Output	Is engine speed correct?	Turn engine throttle lever to "High".
	Is wiring connections loose?	Check wiring and repair.
	Defective AVR?	Replace if necessary.
High Voltage Output	Is wiring connections loose?	Check wiring and repair.
	Defective AVR?	Replace if necessary.
Circuit Breaker Tripped	Short Circuit in load?	Check load and repair.
	Over current?	Confirm load requirements and reduce.
	Defective circuit breaker?	Check and replace.
	Over current Relay actuated?	Confirm load requirement and replace.

EXPLANATION OF CODE IN REMARKS COLUMN

The following section explains the different symbols and remarks used in the Parts section of this manual. Use the help numbers found on the back page of the manual if there are any questions.

NOTICE

The contents and part numbers listed in the parts section are subject to change **without notice**. Multiquip does not guarantee the availability of the parts listed.

SAMPLE PARTS LIST

NO.	PART NO.	PART NAME	QTY.	REMARKS
1	12345	BOLT.....	1	INCLUDES ITEMS W/%
2%		WASHER, 1/4 IN.....		NOT SOLD SEPARATELY
2%	12347	WASHER, 3/8 IN....	1	MQ-45T ONLY
3	12348	HOSE	A/R	MAKE LOCALLY
4	12349	BEARING	1	S/N 2345B AND ABOVE

NO. Column

Unique Symbols — All items with same unique symbol

(@, #, +, %, or >) in the number column belong to the same assembly or kit, which is indicated by a note in the “Remarks” column.

Duplicate Item Numbers — Duplicate numbers indicate multiple part numbers, which are in effect for the same general item, such as different size saw blade guards in use or a part that has been updated on newer versions of the same machine.

NOTICE

When ordering a part that has more than one item number listed, check the remarks column for help in determining the proper part to order.

PART NO. Column

Numbers Used — Part numbers can be indicated by a number, a blank entry, or TBD.

TBD (To Be Determined) is generally used to show a part that has not been assigned a formal part number at the time of publication.

A blank entry generally indicates that the item is not sold separately or is not sold by Multiquip. Other entries will be clarified in the “Remarks” Column.

QTY. Column

Numbers Used — Item quantity can be indicated by a number, a blank entry, or A/R.

A/R (As Required) is generally used for hoses or other parts that are sold in bulk and cut to length.

A blank entry generally indicates that the item is not sold separately. Other entries will be clarified in the “Remarks” Column.

REMARKS Column

Some of the most common notes found in the “Remarks” Column are listed below. Other additional notes needed to describe the item can also be shown.

Assembly/Kit — All items on the parts list with the same unique symbol will be included when this item is purchased.

Indicated by:

“INCLUDES ITEMS W/(unique symbol)”

Serial Number Break — Used to list an effective serial number range where a particular part is used.

Indicated by:

“S/N XXXXX AND BELOW”

“S/N XXXX AND ABOVE”

“S/N XXXX TO S/N XXX”

Specific Model Number Use — Indicates that the part is used only with the specific model number or model number variant listed. It can also be used to show a part is NOT used on a specific model or model number variant.

Indicated by:

“XXXXX ONLY”

“NOT USED ON XXXX”

“Make/Obtain Locally” — Indicates that the part can be purchased at any hardware shop or made out of available items. Examples include battery cables, shims, and certain washers and nuts.

“Not Sold Separately” — Indicates that an item cannot be purchased as a separate item and is either part of an assembly/kit that can be purchased, or is not available for sale through Multiquip.

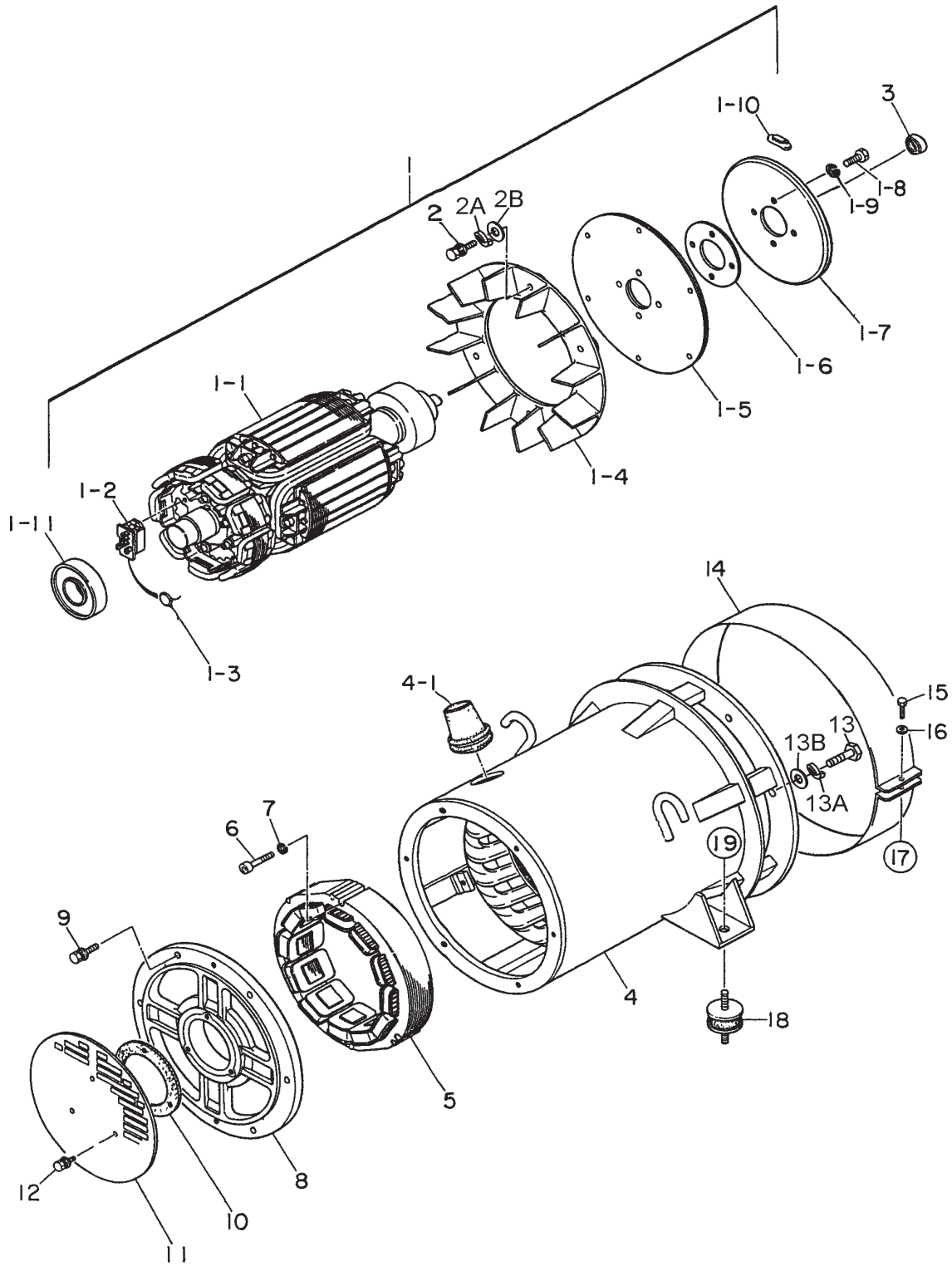
SUGGESTED SPARE PARTS

DCA-25USIXF/DCA-25USI2XF (Big Tank) W/SUZU AA-4LE2/BV-4LE2 DIESEL ENGINES 1 TO 3 UNITS

<u>Qty.</u>	<u>P/N</u>	<u>Description</u>	<u>Remarks</u>
3	8944567411	OIL FILTER, DCA-25USI	
3	8944567412	ELEMENT OIL FILTER, DCA-25USI2	
3	0602046611	AIR ELEMENT	
3	8943692993	CARTRIDGE, FUEL FILTER	
1	0602122272	UNIT, OIL PRESSURE	
1	0602123266	UNIT WATER TEMPERATURE, DCA-25USI	
1	0602123275	UNIT WATER TEMPERATURE, DCA-25USI2	
1	0605505072	FUEL CAP	
1	8972309390	FAN BELT	
1	M1312500203	HOSE, RADIATOR UPPER	
1	M1312500303	HOSE, RADIATOR LOWER	
1	0601808803	CIRCUIT BREAKER, 20A	
1	0601808804	CIRCUIT BREAKER, 50A	
1	0602103092	ALARM LAMP	
1	0601810245	BULB, ALARM LAMP/PRE-HEAT LAMP	
1	8944024980	KEY, IGNITION SWITCH	
1	0601840073	RHEOSTAT, VOLTAGE REGULATOR	
1	0601840121	KNOB RHEOSTAT	
1	0601820671	AUTOMATIC VOLTAGE REGULATOR, DCA25USI	
1	0601820602	AUTOMATIC VOLTAGE REGULATOR, DCA25USI2	
2	0601802160	FUSE, 5A, DCA-25USI	
3	8944370220	FUEL FILTER KIT	

GENERATOR ASSY.

GENERATOR ASSY.



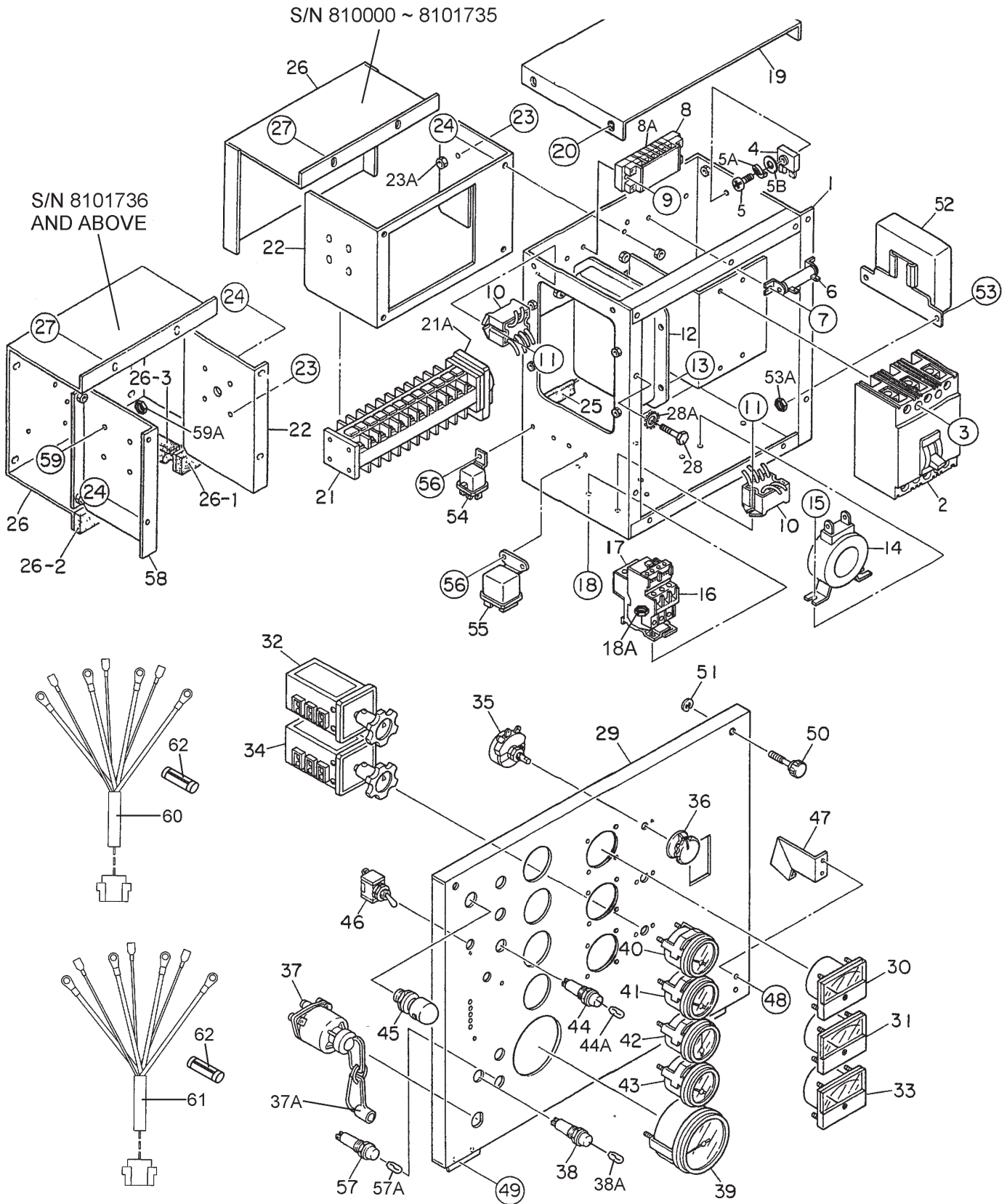
GENERATOR ASSY.

GENERATOR ASSY.

<u>NO.</u>	<u>PART NO.</u>	<u>PART NAME</u>	<u>QTY.</u>	<u>REMARKS</u>
1	B1110200602	ROTOR ASSY.	1	INCLUDES ITEMS W/*
1-1*		FIELD ASSY.	1	
1-2*	7961025004	RECTIFIER	1	
1-3*	0601822630	SURGE ABSORBER	1	
1-4*	8001070003	FAN	1	
1-5*	8351611004	COUPLING DISK	2	
1-6*	8351612004	WASHER, COUPLING HUB	1	
1-7*	B1112300003	BALANCING PLATE	1	PURCHASE ITEMS 1-10 AS A SET
1-8*	0010310025	HEX. HEAD BOLT	4	
1-9*	0042510000	WASHER, LOCK	4	
1-10*	0601000209	BALANCING WEIGHT KIT	1	
1-11*	0071906308	BEARING	1	
2	0010308035	HEX, HEAD BOLT	6	
2A	0040008000	WASHER, LOCK	6	
2B	0041208000	WASHER, FLAT	6	
3	0070506803	BEARING	1	
4	B1130201103	STATOR ASSY.	1	
4-1	0845041904	GROMMET	1	
5	B1138000003	FIELD ASSY. EXCITER	1	
6	0016008045	HEX, SOCKET HEAD CAP SCREW	2	
7	0042508000	WASHER, LOCK	3	
8	8351315003	END BRACKET	1	
9	0017108035	HEX, HEAD BOLT	6	
10	8351312004	PACKING	1	
11	8351331004	COVER, SUCTION	1	
12	0017106016	HEX, HEAD BOLT	3	
13	0010310030	HEX, HEAD BOLT	6	
13A	0040010000	WASHER, LOCK	6	
13B	0041210000	WASHER, FLAT	6	
14	B0155400204	COVER, FAN	1	
15	0010106030	HEX, HEAD BOLT	1	
16	0041206000	WASHER, FLAT	1	
17	0600815000	NUT	1	
18	M9312600004	RUBBER SUSPENSION	2	
19	0207010000	HEX, NUT	2	

DCA25USIXF — CONTROL BOX ASSY.

CONTROL BOX ASSY. (DCAUSIXF ONLY)



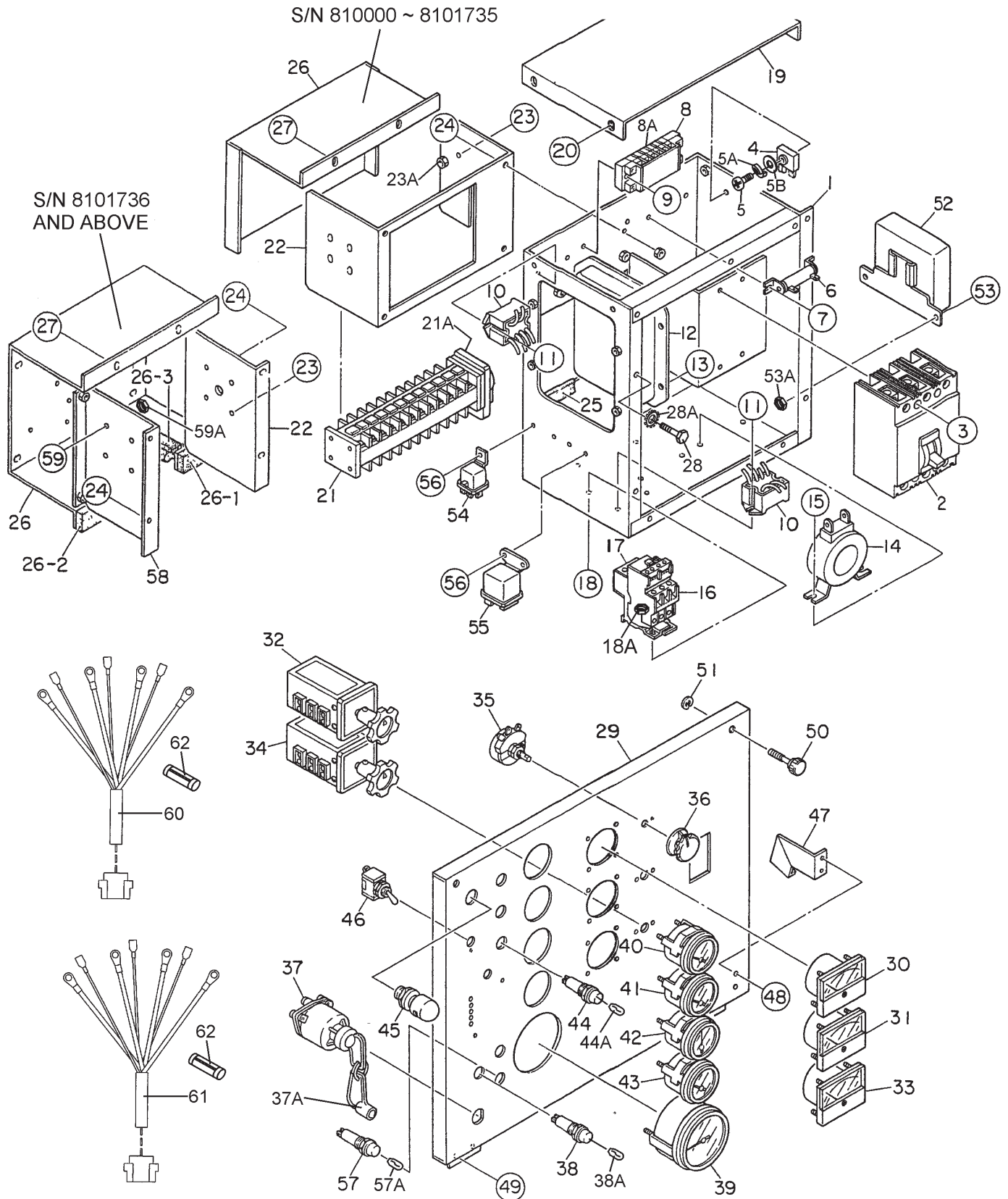
DCA25USIXF — CONTROL BOX ASSY.

CONTROL BOX ASSY. (DCAUSIXF ONLY)

<u>NO.</u>	<u>PART NO.</u>	<u>PART NAME</u>	<u>QTY.</u>	<u>REMARKS</u>
1	M1215000612	CONTROL BOX	1	
2	0601808820	CIRCUIT BREAKER, 3P 60A	1	
3	0021005080	MACHINE SCREW	4	
4	0601823240	RECTIFIER	2	
5	0021004040	MACHINE SCREW	1	
5A	0040004000	WASHER, LOCK	1	
5B	0041204000	WASHER, FLAT	1	
6	0601842384	RESISTOR, 20W 50 OHM	1	
7	0027104010	MACHINE SCREW	2	
8	0601815759	TERMINAL BOARD	1	
8A	M9521000004	DECAL; TERMINAL SYMBOL	1	
9	0027104020	MACHINE SCREW	4	
10	0601823863	RELAY UNIT	2	
11	0027104016	MACHINE SCREW	4	
12	0601820671	AUTOMATIC VOLTAGE REGULATOR	1	
13	0027105016	MACHINE SCREW	4	
14	0601806115	CURRENT TRANSFORMER, 50/5A	3	
15	0027106016	MACHINE SCREW	6	
16	0601820845	OVER CURRENT RELAY	1	S/N 8100001~8100586
16	0601820847	OVER CURRENT RELAY	1	S/N 8100587 AND ABOVE
17	0601820846	OVER CURRENT RELAY	1	S/N 8100001~8100586
17	0601820848	OVER CURRENT RELAY	1	S/N 8100587 AND ABOVE
18	0027104016	MACHINE SCREW	2	
18A	0207004000	HEX, NUT	2	
19	M1213500203	CONTROL BOX COVER	1	
20	0016906016	HEX, HEAD BOLT	4	
21		SELECTOR SWITCH	1	S/N 8100001~8101735
			ORDER ITEMS W/#
21#	M1270100104	SELECTOR SWITCH	1	S/N 8101736 AND ABOVE
21A	M1550002504	DECAL; SELECTOR SWITCH NUMBER		S/N 8100001~8101735
21A#	M1550002604	DECAL; SELECTOR SWITCH NUMBER		S/N 8101736 AND ABOVE
22	M1215601204	SWITCH BRACKET	1	S/N 8100001~8101735
22#	M1215600204	SWITCH BRACKET	1	S/N 8101736 AND ABOVE
23	0027103010	MACHINE SCREW	4	S/N 8100001~8101735
23#	0027104030	MACHINE SCREW	4	S/N 8101736 AND ABOVE
23A#	0207004000	HEX, NUT	4	S/N 8101736 AND ABOVE
24	0016906016	HEX, HEAD BOLT	4	
25	0330000160	EDGING	1	S/N 8100001~8101735
25#	0330000150	EDGING	1	S/N 8101736 AND ABOVE
26	M1215601104	SWITCH COVER	1	S/N 8100001~8101735
26#	M1213600404	SWITCH COVER	1	S/N 8101736 AND ABOVE
26-1#	0228800060	RUBBER SEAL	1	S/N 8101736 AND ABOVE
26-2#	0228800108	RUBBER SEAL	1	S/N 8101736 AND ABOVE
26-3#	0317700180	RUBBER SEAL	1	S/N 8101736 AND ABOVE
27	0016906016	HEX, HEAD BOLT	3	S/N 8100001~8101735
27#	0016906016	HEX, HEAD BOLT	6	S/N 8101736 ~AND ABOVE

DCA25USIXF — CONTROL BOX ASSY.

CONTROL BOX ASSY. (DCAUSIXF ONLY)



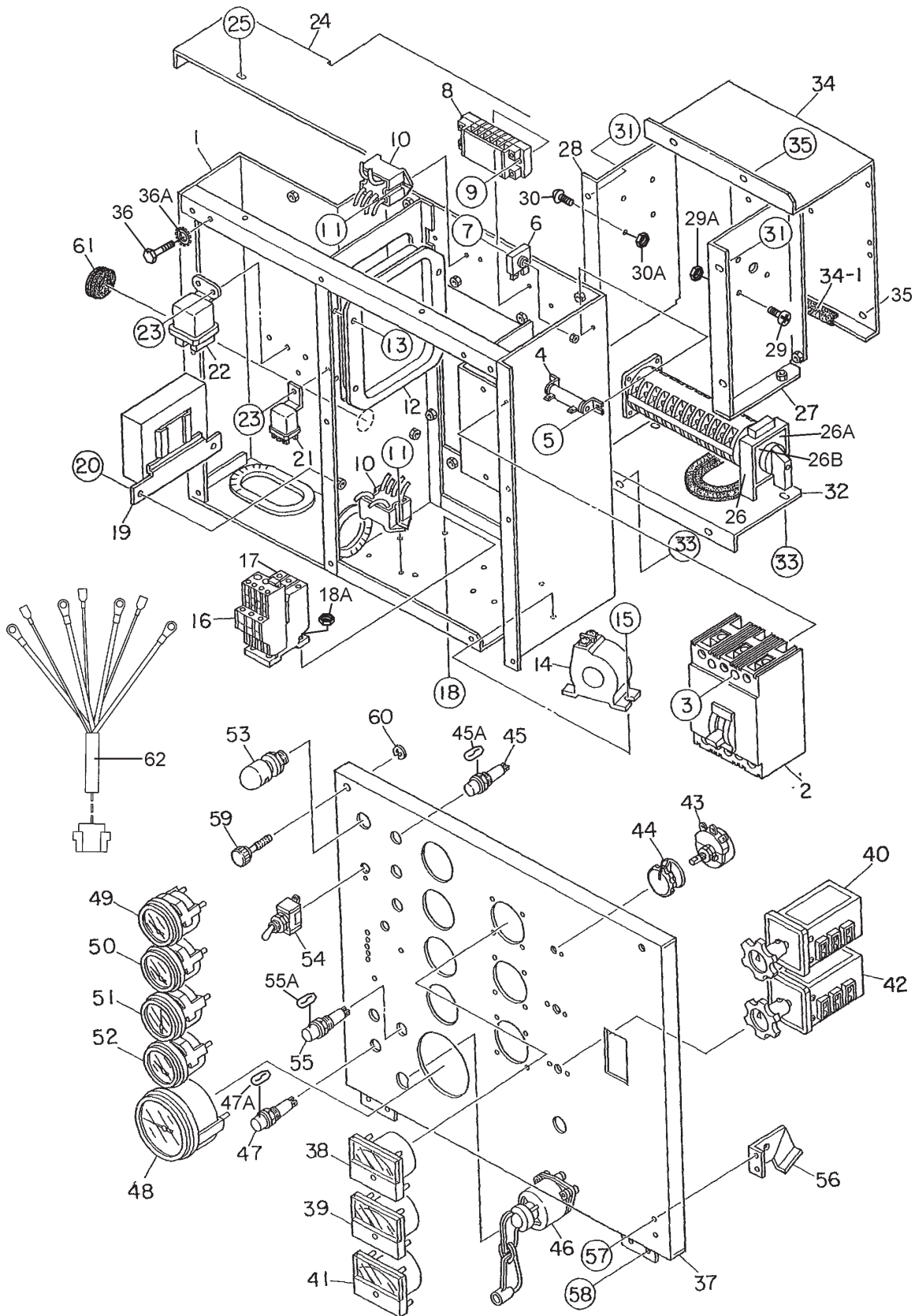
DCA25USIXF — CONTROL BOX ASSY.

CONTROL BOX ASSY. (DCAUSIXF ONLY)

<u>NO.</u>	<u>PART NO.</u>	<u>PART NAME</u>	<u>QTY.</u>	<u>REMARKS</u>
28	0016906016	HEX, HEAD BOLT	9	
28A	0040506000	TOOTHED WASHER	1	
29	M1225000323	CONTROL PANEL	1	S/N 8100001~8100586
29	M1225000333	CONTROL PANEL	1	S/N 8100587 AND ABOVE
30	0601808985	FREQUENCY METER, 45~65Hz 240V	1	
31	0601808985	AC AMMETER, 0~50A/100A:5A	1	
32	0601801040	CHANGE-OVER SWITCH, AMMETER	1	
33	0601806859	AC VOLTMETER, 0~600V	1	
34	0601801041	CHANGE-OVER SWITCH, AMMETER	1	
35	0601840073	RHEOSTAT (VR), 2W 1K OHM	1	
36	0601840121	KNOB	1	
37	8970444180	STARTER SWITCH	1	REPLACES P/N 0602100009
37A	8944024980	KEY, IGNITION SWITCH	1	
38	0602103092	PREHEAT LAMP	1	
38A	0601810245	BULB, DC18V	1	
39	0602120095	TACHOMETER	1	
40	0602122093	OIL PRESSURE GAUGE	1	
41	0602123090	WATER TEMPERATURE GAUGE	1	
42	0602121080	CHARGING AMMETER	1	
43	0602125090	FUEL GAUGE	1	
44	0602103092	ALARM LAMP	3	
44A	0601810245	BULB, DC18V	3	
45	9826800370	PANEL LIGHT	1	REPLACES P/N 0601810141
46	0601831330	SWITCH, PANEL LIGHT	1	
47	M1225100004	STOPPER	1	
48	0027105010	MACHINE SCREW	2	
49	0027105010	MACHINE SCREW	4	
50	M9220100004	SET SCREW	2	
51	0080200007	SNAP RING	2	
52	8973259120	ENGINE CONTROLLER	1	REPLACES P/N 0602202523
53	0016906016	HEX, HEAD BOLT	2	
53A	0207006000	HEX, NUT	2	
54	5825500290	RELAY	2	REPLACES P/N 0602201400
55	8942481610	GLOW RELAY	1	REPLACES P/N 0602202502
56	0027105016	MACHINE SCREW	4	
57	0602103092	ALARM LAMP	1	S/N 8100231~ AND ABOVE
57A	0601810245	BULB, DC18V	1	S/N 8100231~ AND ABOVE
58	M1213600305	SWITCH BRACKET	1	S/N 8101736 ~AND ABOVE
59	0027104016	MACHINE SCREW	4	S/N 8101736 ~AND ABOVE
59A	0207004000	HEX, NUT	4	S/N 8101736 ~AND ABOVE
60	M1248700004	WIRE HARNESS, GENERATOR	1	S/N 8100001~8101735
60	M1248700024	WIRE HARNESS, GENERATOR	1	S/N 8101736 ~AND ABOVE
61	M1359200602	WIRE HARNESS, ENGINE	1	S/N 8100001 ~8101465
61	M1359200612	WIRE HARNESS, ENGINE	1	S/N 8101466 ~ AND ABOVE
62	0601802160	FUSE, 5A	2	

DCA25USI2XF — CONTROL BOX ASSY.

CONTROL BOX ASSY. (DCAUSI2XF ONLY)



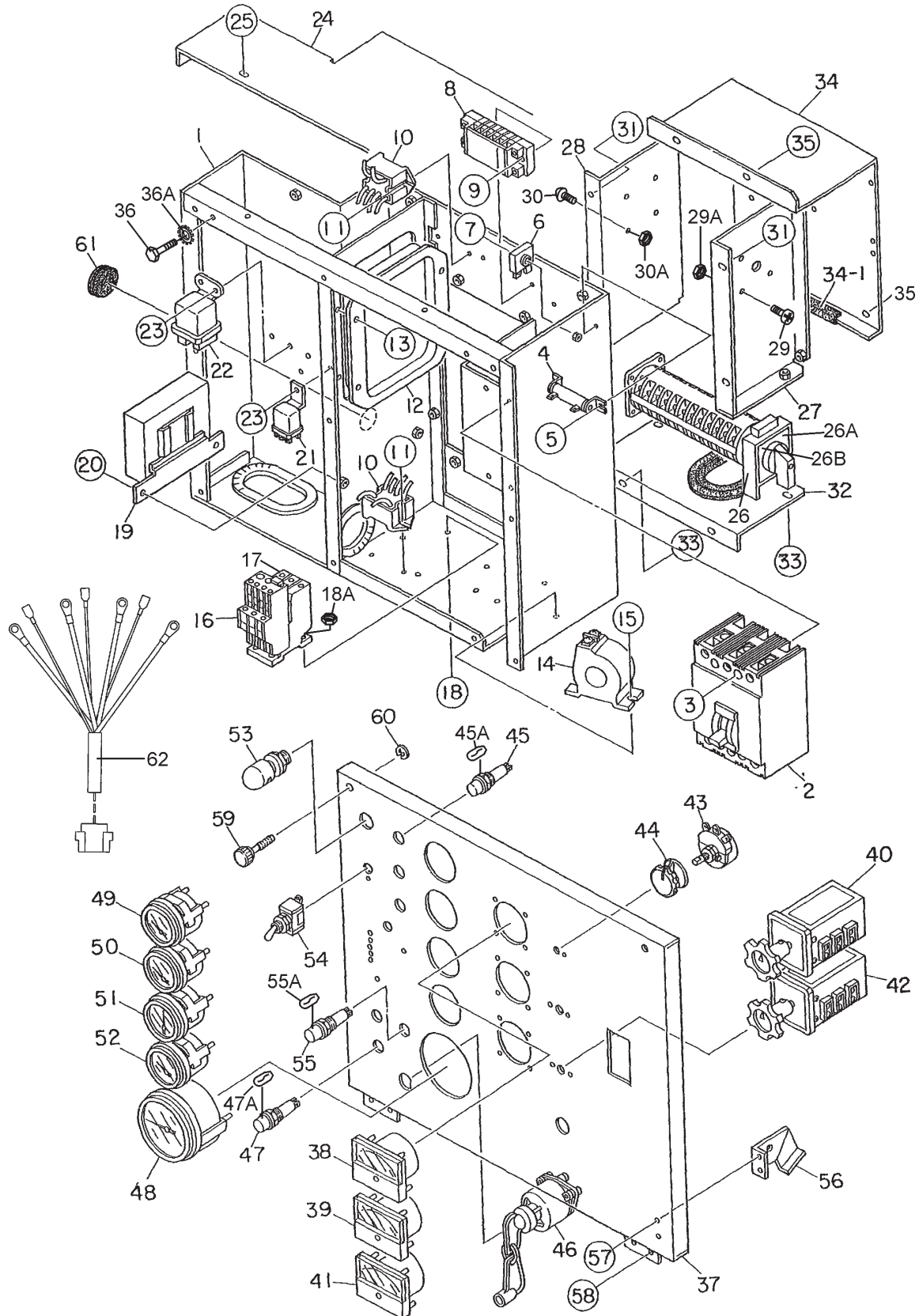
DCA25USI2XF — CONTROL BOX ASSY.

CONTROL BOX ASSY. (DCAUSIXF ONLY)

<u>NO.</u>	<u>PART NO.</u>	<u>PART NAME</u>	<u>QTY.</u>	<u>REMARKS</u>
1	M1213001002	CONTROL BOX	1	
2	0601808820	CIRCUIT BREAKER, 3P 60A	1	
3	0021005080	MACHINE SCREW	4	
4	0601842384	RESISTOR, 20W 50 OHM	1	
5	0027104010	MACHINE SCREW	2	
6	0601823240	RECTIFIER	2	
7	0027104030	MACHINE SCREW	1	
8	0601815759	TERMINAL BOARD	1	
9	0027104020	MACHINE SCREW	4	
10	0601823863	RELAY UNIT	2	
11	0027104016	MACHINE SCREW	4	
12	0601820602	AUTOMATIC VOLTAGE REGULATOR	1	
13	0027105016	MACHINE SCREW	4	
14	0601801122	CURRENT TRANSFORMER, 100/5A	3	
15	0027106020	MACHINE SCREW	6	
16	0601820847	OVER CURRENT RELAY	1	
17	0601820848	OVER CURRENT RELAY	1	
18	0027104016	MACHINE SCREW	2	
18A	0207004000	NUT, SELF-LOCKING	2	
19	M1213500203	ENGINE CONTROLLER	1	
20	0602202523	HEX, HEAD BOLT	4	
21	5825500290	RELAY	2	REPLACES P/N 0602201400
22	8942481610	GLOW RELAY	1	REPLACES P/N 0602202502
23	0027105016	MACHINE SCREW	4	
24	M1213500403	CONTROL BOX COVER	1	
25	0016906016	HEX, HEAD BOLT	4	
26	M1270100504	SELECTOR SWITCH	1	
26A	M1550002504	DECAL; SELECTOR SWITCH NUMBER	1	
26B	M1550002604	DECAL; SELECTOR SWITCH NUMBER	1	
27	M1215601204	SWITCH BRACKET	1	
28	M1215600204	SWITCH BRACKET	1	
29	0021104035	MACHINE SCREW	4	
29A	0207004000	NUT, SELF-LOCKING	4	
30	0027104016	MACHINE SCREW	4	
30A	0207004000	NUT, SELF-LOCKING	4	
31	0016906016	HEX, HEAD BOLT	4	
32	M1213601704	SWITCH COVER	1	
32-1	0317700180	RUBBER SEAL	1	
33	0016906016	HEX, HEAD BOLT	4	
34	M1213601604	SWITCH COVER	1	
34-1	0330000070	RUBBER SEAL	1	
35	0016906016	HEX, HEAD BOLT	6	
36	0016906016	HEX, HEAD BOLT	10	
36A	0040506000	TOOTHED WASHER	1	

DCA25USI2XF — CONTROL BOX ASSY.

CONTROL BOX ASSY. (DCAUSI2XF ONLY)



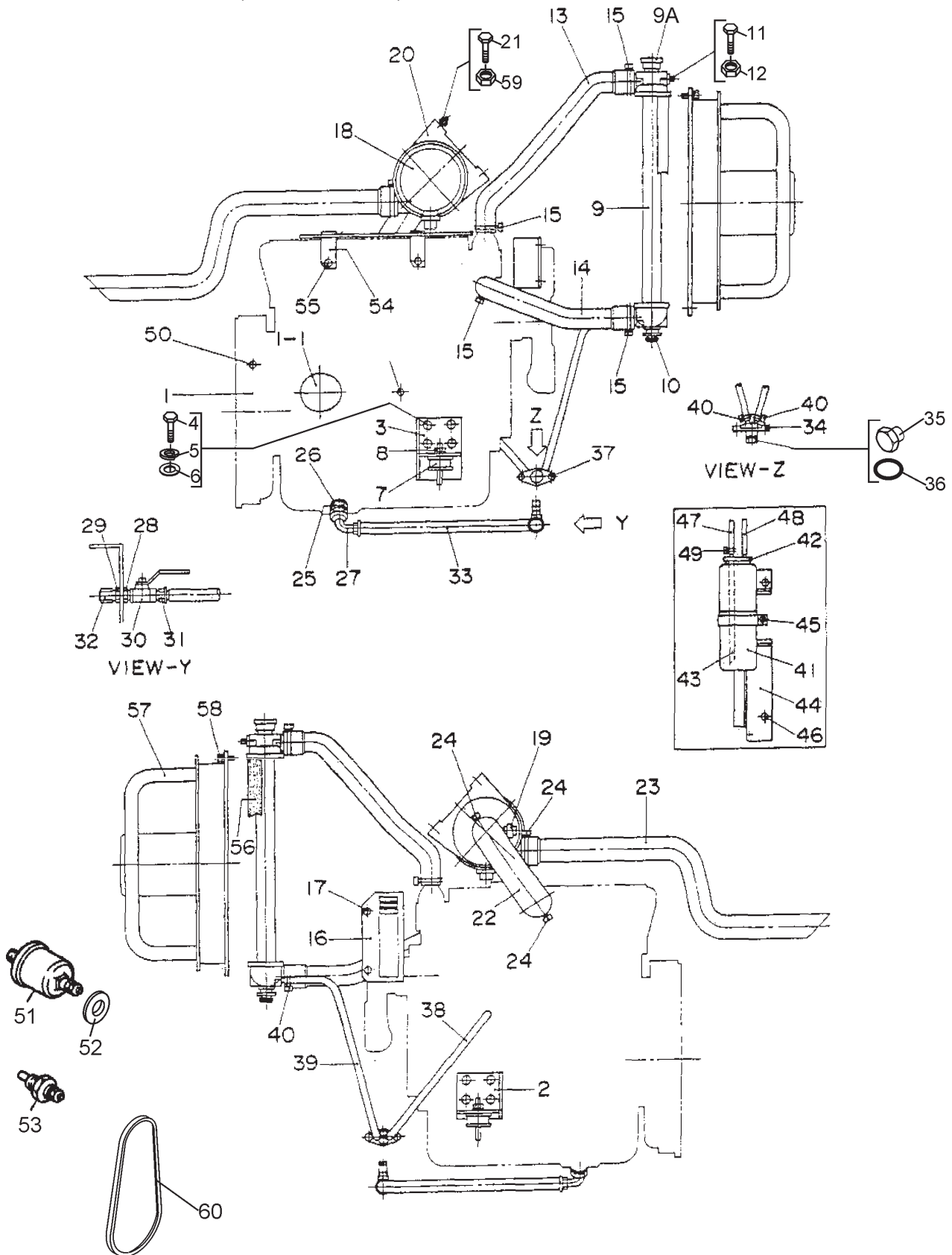
DCA25USI2XF — CONTROL BOX ASSY.

CONTROL BOX ASSY. (DCAUSI2XF ONLY)

<u>NO.</u>	<u>PART NO.</u>	<u>PART NAME</u>	<u>QTY.</u>	<u>REMARKS</u>
37	M1223000603	CONTROL PANEL	1	
38	0601807641	FREQUENCY METER, 45~65Hz 240V	1	
39	0601808985	AC AMMETER, 0~50A/100A:5A	1	
40	0601801040	CHANGE-OVER SWITCH, AMMETER	1	
41	0601806859	AC VOLTMETER, 0~600V	1	
42	0601801041	CHANGE-OVER SWITCH, AMMETER	1	
43	0601840073	RHEOSTAT(VR), 2W 1K OHM	1	
44	0601840121	KNOB	1	
45	0602103092	ALARM LAMP	3	
45A	0601810245	BULB, DC18V	3	
46	8970444180	STARTER SWITCH	1	REPLACES P/N 0602100009
46A	8944024980	KEY, IGNITION SWITCH	1	
47	0602103092	PREHEAT LAMP	1	
47A	0601810245	BULB, DC18V	1	
48	0602120095	TACHOMETER	1	
49	0602122093	OIL PRESSURE GAUGE	1	
50	0602123090	WATER TEMPERATURE GAUGE	1	
51	0602121080	CHARGING AMMETER	1	
52	0602125090	FUEL GAUGE	1	
53	9826800370	PANEL LIGHT	1	REPLACES P/N 0601810141
54	0601831330	SWITCH, PANEL LIGHT	1	
55	0602103092	ALARM LAMP	1	
55A	0601810245	BULB, DC18V	1	
56	M1225100004	STOPPER	1	
57	0027105010	MACHINE SCREW	2	
58	0027105010	MACHINE SCREW	4	
59	M9220100004	SET SCREW	2	
60	0080200007	SNAP RING	2	
61	0601851727	GROMMET	1	
62	M1246703604	WIRE HARNESS, GENERATOR	1	

DCA25USIXF — ENGINE AND RADIATOR ASSY.

ENGINE AND RADIATOR ASSY. (DCAUSIXF ONLY)



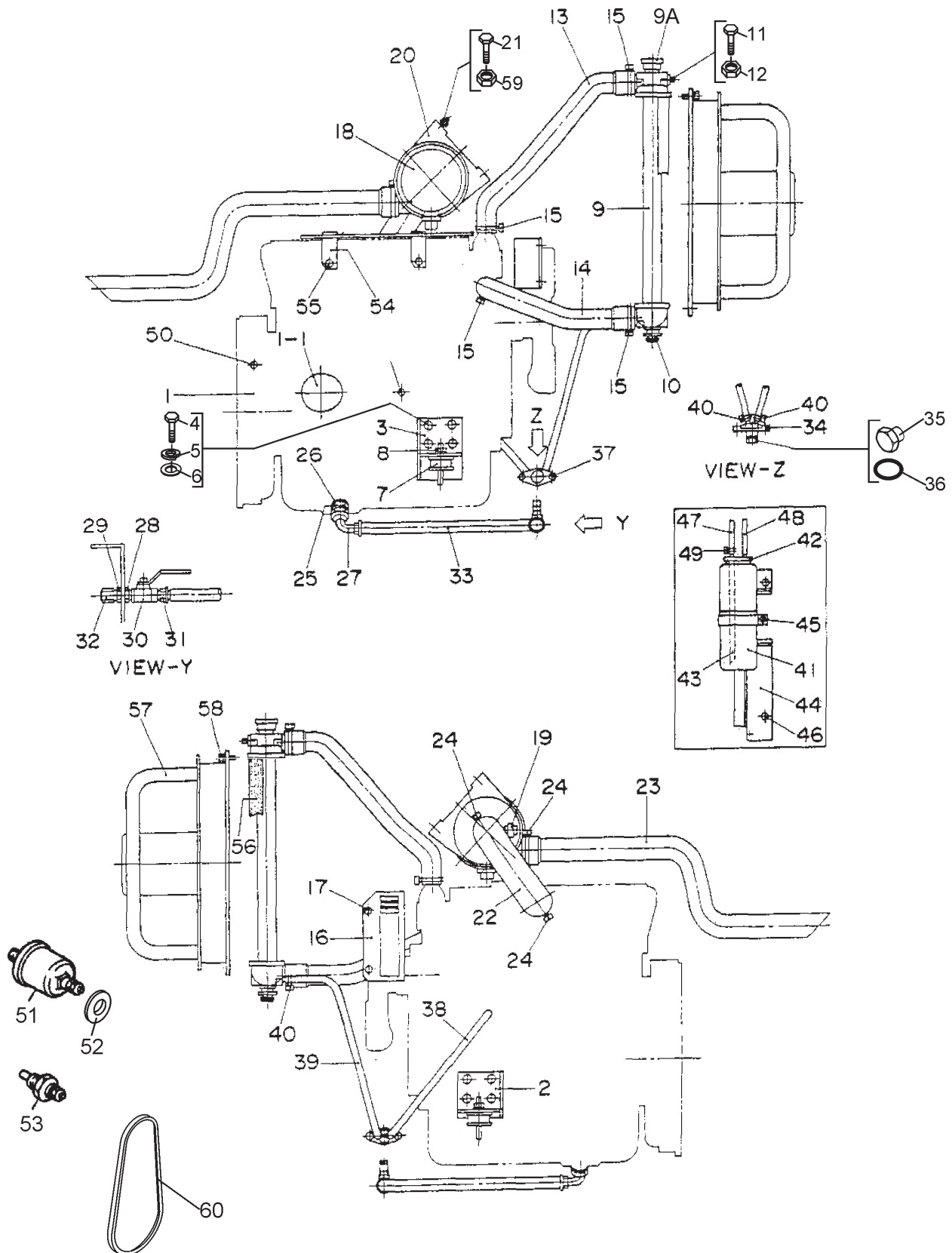
DCA25USIXF — ENGINE AND RADIATOR ASSY.

ENGINE AND RADIATOR ASSY. (DCAUSIXF ONLY)

<u>NO.</u>	<u>PART NO.</u>	<u>PART NAME</u>	<u>QTY.</u>	<u>REMARKS</u>
1	B1925200254	ENGINE, ISUZU AA-4LE2	1	
1-1	8944567411	CARTRIDGE, OIL FILTER	1	REPLACES P/N 0602041210
2	M1305200304	ENGINE FOOT	1	
3	M1305200204	ENGINE FOOT	1	
4	0010310025	HEX, HEAD BOLT	8	
5	0040010000	WASHER, LOCK	8	
6	0041210000	WASHER, FLAT	8	
7	060500066	RUBBER SUSPENSION	2	
8	0207010000	HEX, NUT	2	
9	M1923200074	RADIATOR	1	
9A	0602011079	CAP, RADIATOR	1	
10	M9312200104	MOUNT RUBBER	2	
11	0016908040	HEX, HEAD BOLT	2	
12	0207008000	HEX, NUT	2	
13	M1312500203	RADIATOR HOSE	1	
14	M1312500303	RADIATOR HOSE	1	
15	0605515149	HOSE BAND	4	
16	M1312300103	FAN COVER	1	
17	0016906020	HEX, HEAD BOLT	4	
18	0602046531	AIR CLEANER	1	
18A	0602046611	ELEMENT, AIR CLEANER	1	
19	0602040650	INDICATOR, AIR CLEANER	1	
20	0602040552	BRACKET, AIR CLEANER	1	
21	0016908030	HEX, HEAD BOLT	2	
22	M1375100303	HOSE, AIR CLEANER	1	
23	M1375100203	HOSE, AIR CLEANER	1	
24	0605515147	HOSE BAND	3	
25	0602022560	ADAPTER	1	
26	M1320300304	PACKING	1	
27	0602022561	90 DEG. ELBOW	1	
28	0603306590	CONNECTOR	1	
29	0603300285	LOCKNUT	1	
30	0605511395	VALVE	1	
31	0603306395	HOSE JOINT	1	
32	0602021070	CAP	1	
33	0269200380	DRAIN HOSE	1	

DCA25USIXF — ENGINE AND RADIATOR ASSY.

ENGINE AND RADIATOR ASSY. (DCAUSIXF ONLY)



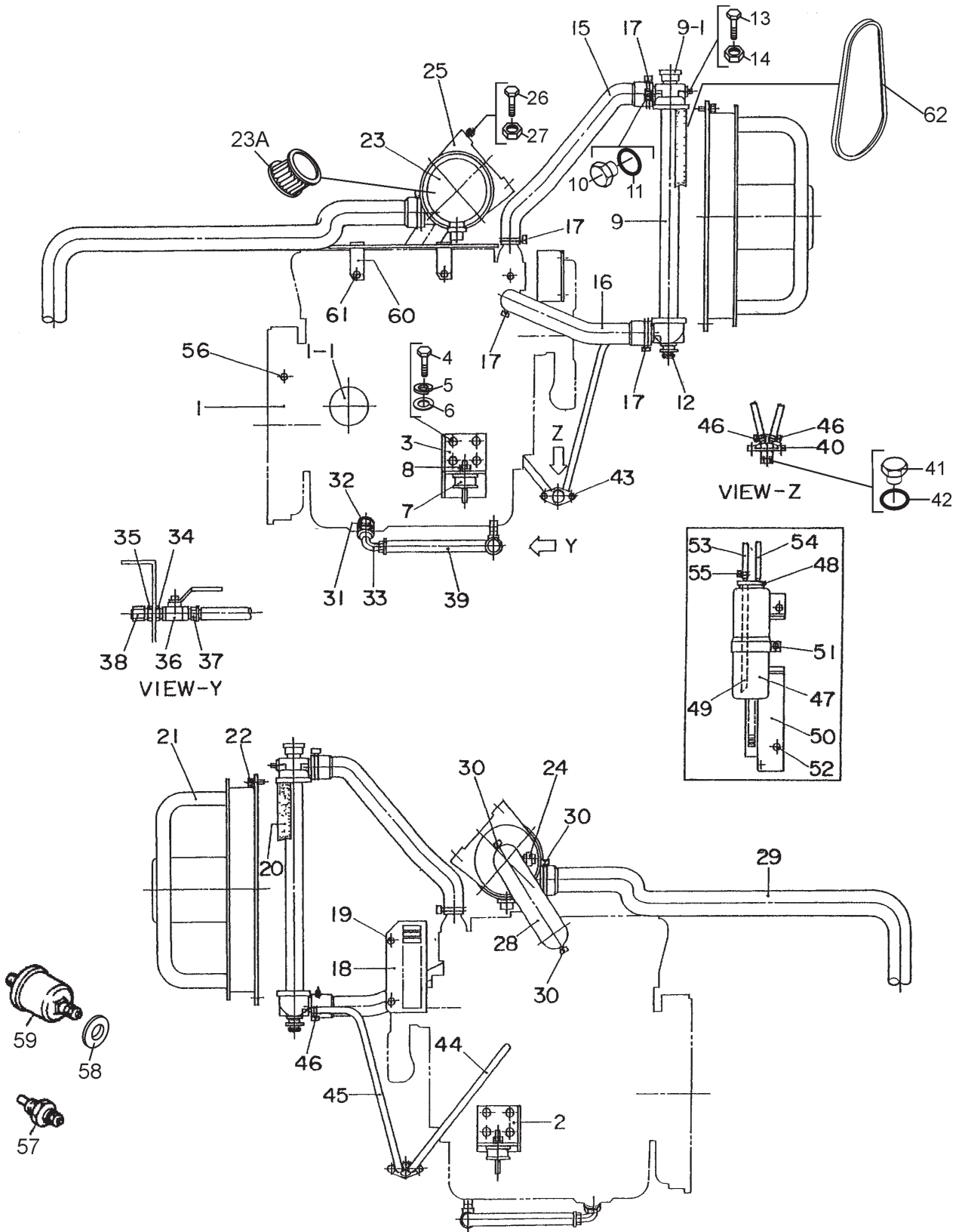
DCA25USIXF — ENGINE AND RADIATOR ASSY.

ENGINE AND RADIATOR ASSY. (DCAUSIXF ONLY)

<u>NO.</u>	<u>PART NO.</u>	<u>PART NAME</u>	<u>QTY.</u>	<u>REMARKS</u>
34	M9602000003	DRAIN JOINT	1	
35	M9200200004	PLUG	1	
36	0150000018	O RING	1	
38	0199901600	DRAIN HOSE	1	
39	0199900800	DRAIN HOSE	1	
40	0605515106	HOSE BAND	4	
41	M9300000003	RESERVE TANK	1	
42	M9300100003	CAP, RESERVE TANK	1	
43	0199100215	HOSE	1	
44	M1318100103	BRACKET, RESERVE TANK	1	
45	0016906025	HEX, HEAD BOLT	1	
46	0016906020	HEX, HEAD BOLT	2	
47	0199100700	HOSE	1	
48	0193600850	HOSE	1	
49	0605515106	HOSE BAND	3	
50	0602120481	PICK UP, TACHOMETER	1	
51	0602122272	UNIT, OIL PRESSURE	1	
52	M9200100004	ADAPTER	1	
53	0602123266	UNIT, WATER TEMPERATURE	1	
54	M1353800004	CLAMPER ROD	1	
55	0016908020	HEX, HEAD BOLT	2	
56	0220300425	SEAL RUBBER	2	
57	0601822794	MOTOR FAN	1	
58	0016908025	HEX, HEAD BOLT	4	
59	0207008000	HEX, NUT	4	
60	8972309390	FAN BELT	1 REPLACES P/N 0602011431

DCA25USI2XF — ENGINE AND RADIATOR ASSY.

ENGINE AND RADIATOR ASSY. (DCAUSI2XF ONLY)



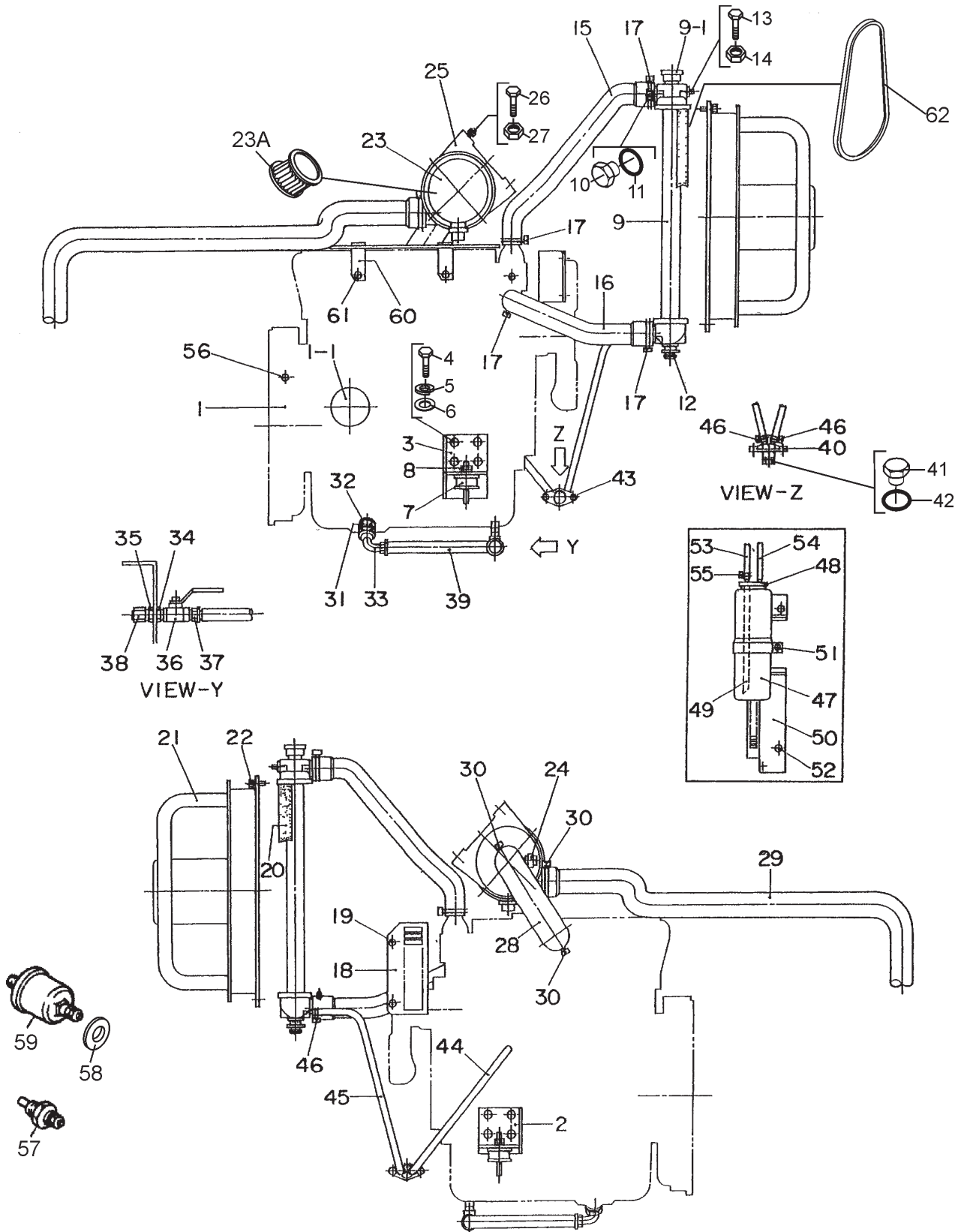
DCA25USI2XF — ENGINE AND RADIATOR ASSY.

ENGINE AND RADIATOR ASSY. (DCAUSI2XF ONLY)

<u>NO.</u>	<u>PART NO.</u>	<u>PART NAME</u>	<u>QTY.</u>	<u>REMARKS</u>
1	M1923200124	ENGINE, ISUZU BV-4LE2	1	
1-1	8944567412	CARTRIDGE, OIL FILTER	1	REPLACES P/N 0602041210
2	M1305200304	ENGINE FOOT	1	
3	M1305200204	ENGINE FOOT	1	
4	0010310025	HEX, HEAD BOLT	8	
5	0040010000	WASHER, LOCK	8	
6	0041210000	WASHER, FLAT	8	
7	060500066	RUBBER SUSPENSION	2	
8	0207010000	HEX, NUT	2	
9	M1923200074	RADIATOR	1	
9-1	0602011079	CAP, RADIATOR	1	
10	M9200100904	PLUG	1	
11	0150000016	O-RING	1	
12	M9312200104	MOUNT RUBBER	2	
13	0016908035	HEX, HEAD BOLT	2	
14	0207008000	HEX, NUT	2	
15	M1312500203	RADIATOR HOSE	1	
16	M1312500303	RADIATOR HOSE	1	
17	0605515149	HOSE BAND	4	
18	M1312300103	FAN COVER	1	
19	0016906020	HEX, HEAD BOLT	4	
20	0220300425	SEAL RUBBER	2	
21	0601822794	MOTOR FAN	1	
22	0016908025	HEX, HEAD BOLT	4	
23	0602046531	AIR CLEANER	1	
23A	0602046611	ELEMENT, AIR CLEANER	1	
24	0602040650	INDICATOR, AIR CLEANER	1	
25	0602040552	BRACKET, AIR CLEANER	1	
26	0016908030	HEX, HEAD BOLT	2	
27	0207008000	HEX, NUT	2	
28	M1375100303	HOSE, AIR CLEANER	1	
29	M1373101403	HOSE, AIR CLEANER	1	
30	0605515147	HOSE BAND	3	
31	0602022560	ADAPTER	1	
32	M1320300304	PACKING	1	
33	0602022561	90 DEG. ELBOW	1	
34	0603306590	CONNECTOR	1	
35	0603300285	LOCKNUT	1	
36	0605511395	VALVE	1	
37	0603306395	HOSE JOINT	1	
38	0602021070	CAP	1	
39	0269200350	DRAIN HOSE	1	

DCA25USI2XF — ENGINE AND RADIATOR ASSY.

ENGINE AND RADIATOR ASSY. (DCAUSI2XF ONLY)



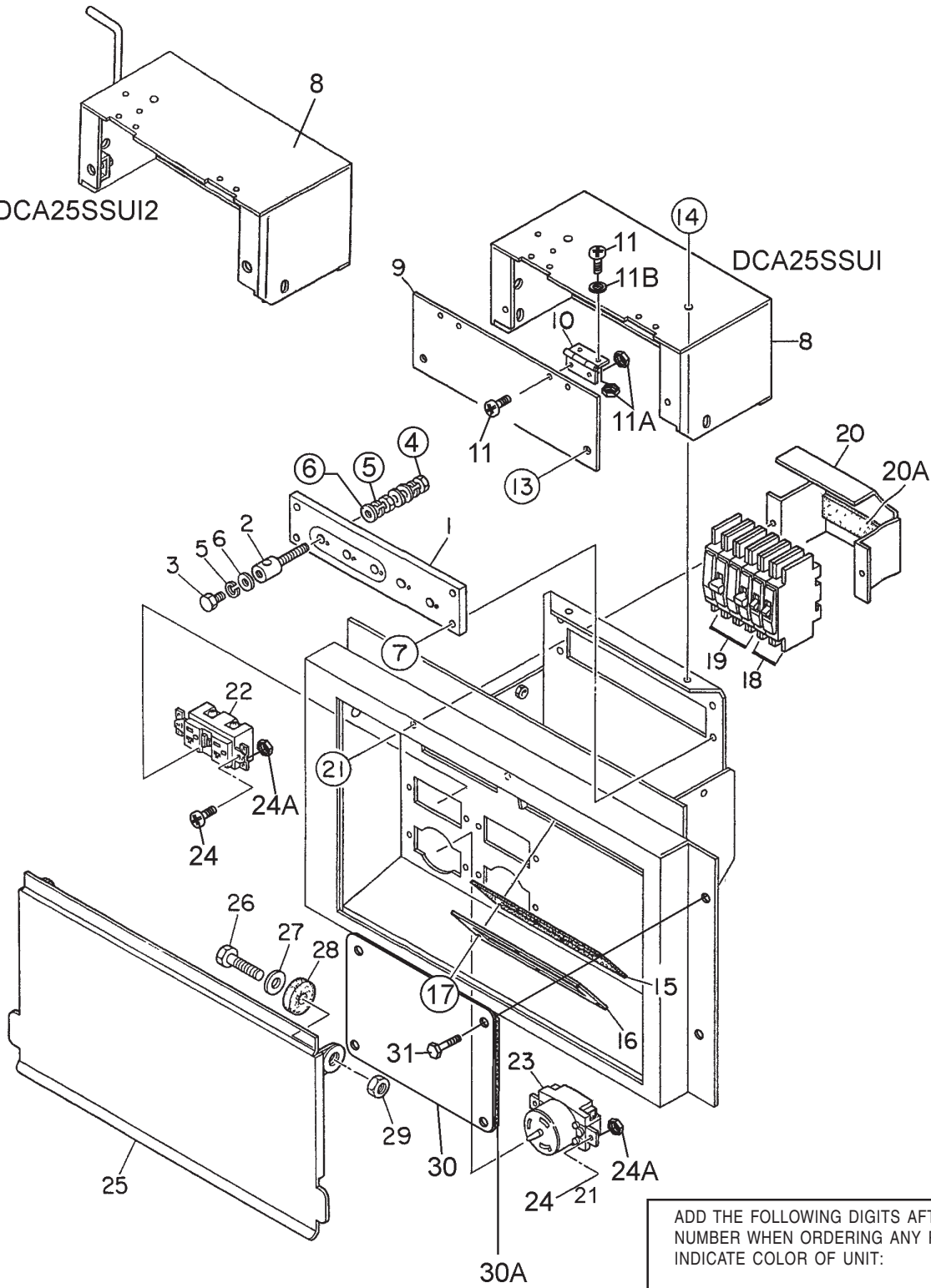
DCA25USI2XF — ENGINE AND RADIATOR ASSY.

ENGINE AND RADIATOR ASSY. (DCAUSI2XF ONLY)

<u>NO.</u>	<u>PART NO.</u>	<u>PART NAME</u>	<u>QTY.</u>	<u>REMARKS</u>
40	M9602000003	DRAIN JOINT	1	
41	M9200200004	PLUG	1	
42	0150000018	O-RING	1	
43	0016906020	HEX, HEAD BOLT	2	
44	0199901600	DRAIN HOSE	1	
45	0199900800	DRAIN HOSE	1	
46	0605515106	HOSE BAND	4	
47	M9300000003	RESERVE TANK	1	
48	M9300100003	CAP, RESERVE TANK	1	
49	0199100215	HOSE	1	
50	M1316100603	BRACKET, RESERVE TANK	1	
51	0016906025	HEX, HEAD BOLT	1	
52	0016906020	HEX, HEAD BOLT	2	
53	0199100700	HOSE	1	
54	0193600850	HOSE	1	
55	0605515106	HOSE BAND	3	
56	0602120481	PICK UP, TACHOMETER	1	
57	0602122272	UNIT, OIL PRESSURE	1	
58	M9200100004	ADAPTER	1	
59	0602123266	UNIT, WATER TEMPERATURE	1	
60	M1353800004	CLAMPER ROD	1	
61	0016908020	HEX, HEAD BOLT	2	
62	8972309390	FAN BELT	1	REPLACES P/N 0602011431

OUTPUT TERMINAL ASSY.

OUTPUT TERMINAL ASSY.



ADD THE FOLLOWING DIGITS AFTER THE PART NUMBER WHEN ORDERING ANY PAINTED PANEL TO INDICATE COLOR OF UNIT:

1-ORANGE	5-BLACK
2-WHITE	6-CATERPILLAR YELLOW
3-SPECTRUM GREY	7-CATO GOLD
4-SUNBELT GREEN	8-RED

THE SERIAL NUMBER MAY BE REQUIRED.

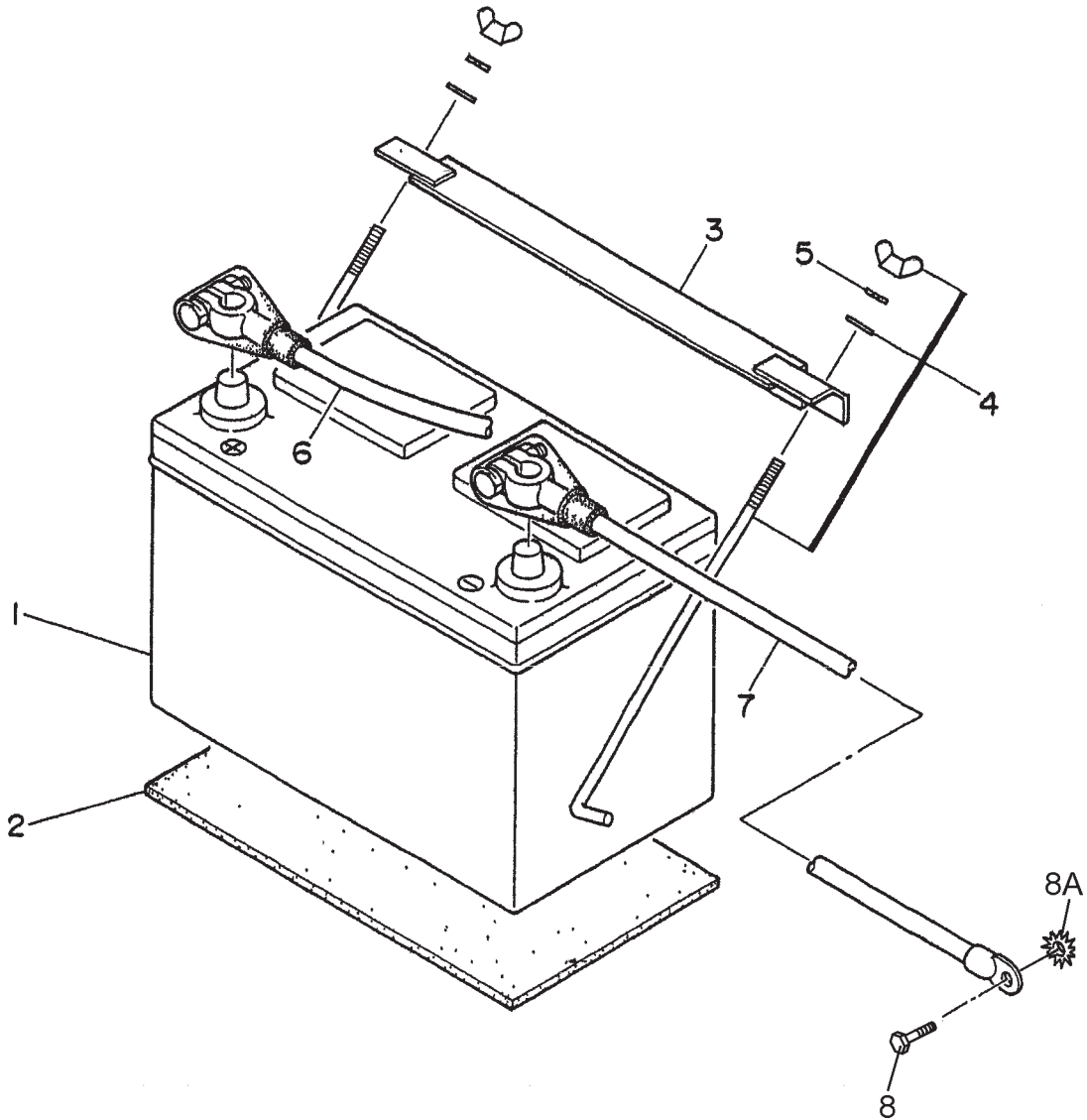
OUTPUT TERMINAL ASSY.

OUTPUT TERMINAL ASSY.

<u>NO.</u>	<u>PART NO.</u>	<u>PART NAME</u>	<u>QTY.</u>	<u>REMARKS</u>
1	M1230700003	TERMINAL PANEL	1	
2	M9220000004	OUTPUT TERMINAL BOLT	5	
3	M9220000104	TIE SCREW	5	
4	0039308000	HEX, NUT	10	
5	0040008000	WASHER, LOCK	15	
6	0041408000	WASHER, FLAT	20	
7	0016906025	HEX, HEAD BOLT	4	
8	M1238100603	TERMINAL COVER	1	DCA25USI
8	M1236101103	TERMINAL COVER	1	DCA25USI2
9	M1238100704	OUTPUT WINDOW	1	
10	0605010040	HINGE	2	
11	0027103010	MACHINE SCREW	8	
11A	0030003000	HEX, NUT	8	
11B	0041203000	WASHER, FLAT	4	
13	0016906020	HEX, HEAD BOLT	2	
14	0016906016	HEX, HEAD BOLT	4	
15	M1236400004	CABLE OUTLET COVER	1	
16	M1236300004	SUPPORTER, CABLE OUTLET COVER	1	
17	0016906020	HEX, HEAD BOLT	6	
18	0601808803	CIRCUIT BREAKER, 1P@ 20A	2	
19	0601808804	CIRCUIT BREAKER, 2P@50A	2	
20	M1260700204	BREAKER FITTING COVER	1	
20A	0222100115	CUSHION RUBBER	1	
21	0016906020	HEX, HEAD BOLT	2	
22	0601812598	RECEPTACLE, 125V 20A X 2 (GFCI)	2	
23	0601812538	RECEPTACLE ,CS6369 250V 50A	2	
24	0027104018	MACHINE SCREW	8	
24A	0207004000	HEX, NUT	8	
25	M1238100503	TERMINAL COVER	1	
26	0010112045	HEX, HEAD BOLT	2	DCA25USI
26	0010112040	HEX, HEAD BOLT	2	DCA25USI2
27	0041212000	WASHER, FLAT	2	
28	M9310200004	STAY RUBBER	2	
29	0030012000	HEX, NUT	2	
30	M1236400104	COVER	1	DCA25USI2
30A	M1493408804	ACOUSTIC SHEET	1	DCA25USI2
31	0016906016	HEX, HEAD BOLT	4	DCA25USI2

BATTERY ASSY.

BATTERY ASSY.



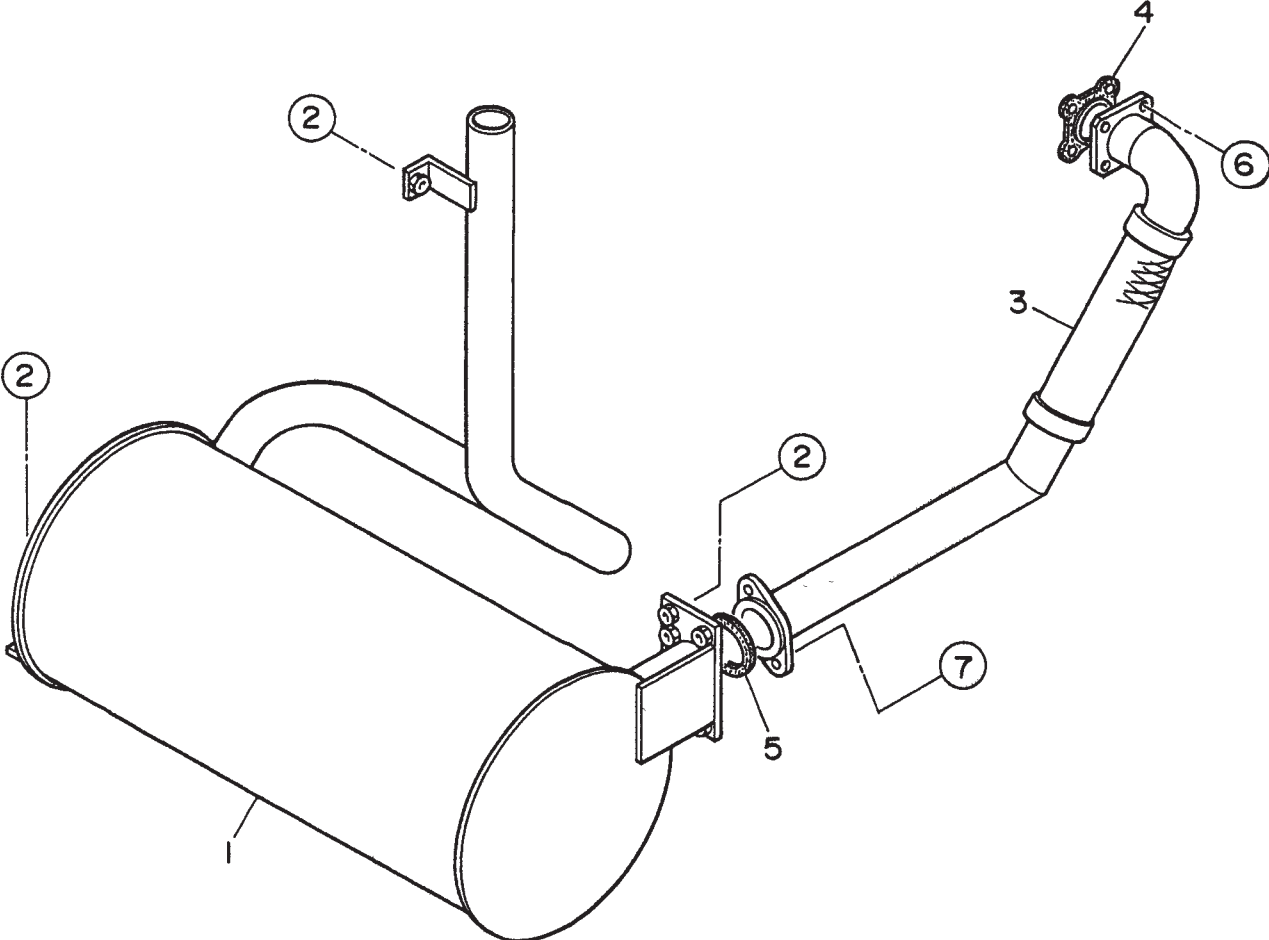
BATTERY ASSY.

BATTERY ASSY.

<u>NO.</u>	<u>PART NO.</u>	<u>PART NAME</u>	<u>QTY.</u>	<u>REMARKS</u>
1	0602220185	BATTERY	1	
2	M9310500014	BATTERY SHEET	1	
3	M9103000304	BATTERY BAND	1	
4	0602220920	BATTERY BOLT SET	2	
5	0040006000	WASHER, LOCK	2	
6	M1348400204	BATTERY CABLE	1	
7	M1348400314	BATTERY CABLE	1	
8	0016910020	HEX, HEAD BOLT	1	
8A	0040510000	TOOTHED WASHER	1	

DCA25USIXF — MUFFLER ASSY.

MUFFLER ASSY. (DCA-25USIXF ONLY)



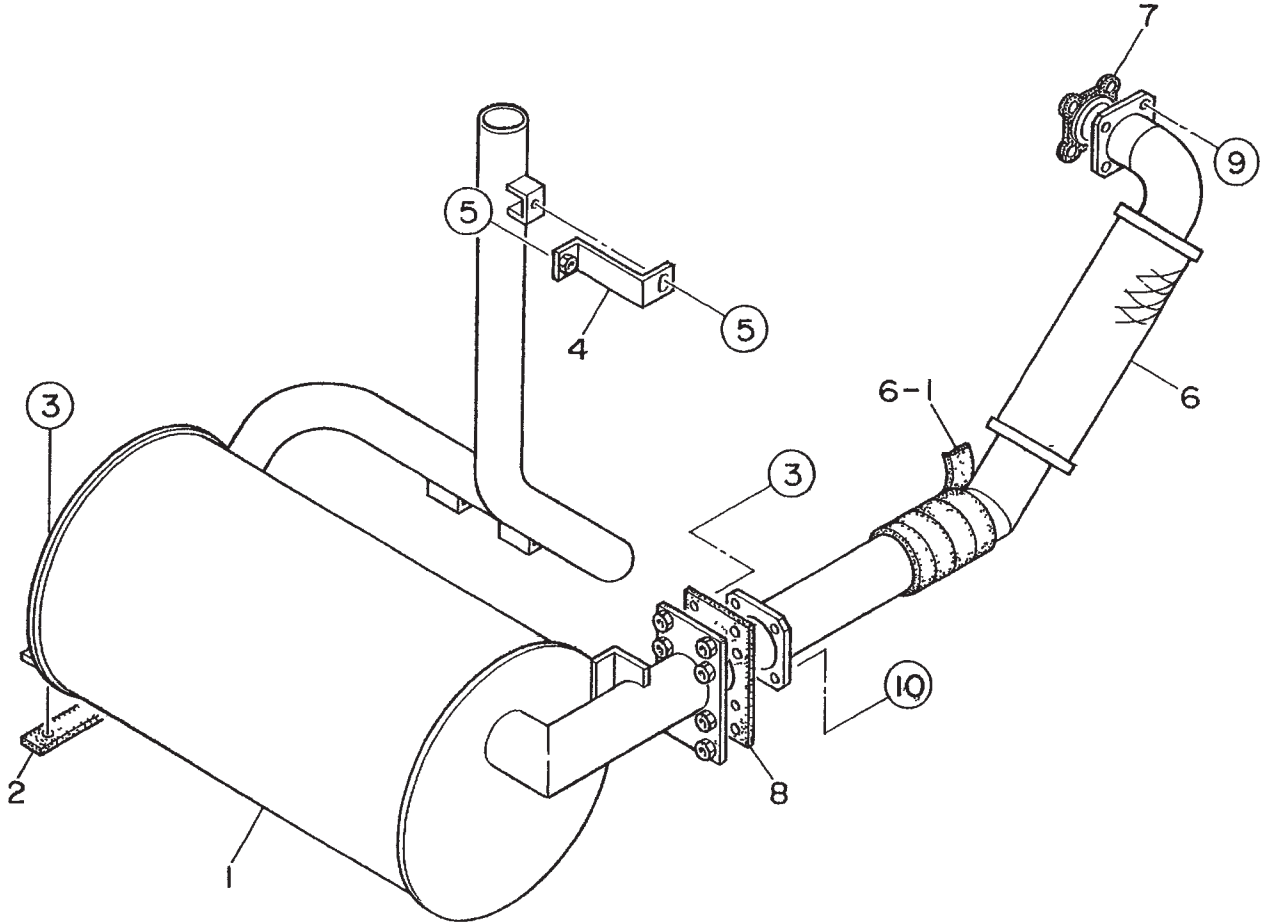
DCA25USIXF — MUFFLER ASSY.

MUFFLER ASSY. (DCA-25USIXF ONLY)

<u>NO.</u>	<u>PART NO.</u>	<u>PART NAME</u>	<u>QTY.</u>	<u>REMARKS</u>
1	M1332000002	MUFFLER.....	1	S/N 810000 ~8101465
1	M1332000012	MUFFLER.....	1	S/N 8101466 AND ABOVE
2	0016908020	HEX, HEAD BOLT	7	
3	M1335000103	EXHAUST PIPE	1	S/N 810000 ~8101465
3	M1335000113	EXHAUST PIPE	1	S/N 8101466 AND ABOVE
4	8970420280	GASKET	1	REPLACES S/N 0602320100
5	M0335200004	GASKET	1	S/N 810000 ~8101465
5	8970420280	GASKET	1	S/N 8101466 AND ABOVE
			REPLACES S/N 0602320100
6	0207008000	HEX NUT	4	
7	0016908030	HEX HEAD BOLT	2	S/N 810000 ~8101465
7	0016908030	HEX HEAD BOLT	4	S/N 8101466 AND ABOVE

DCA25USI2XF — MUFFLER ASSY.

MUFFLER ASSY. (DCA-25USI2XF ONLY)



DCA25USI2XF — MUFFLER ASSY.

MUFFLER ASSY. (DCA-25USI2XF ONLY)

<u>NO.</u>	<u>PART NO.</u>	<u>PART NAME</u>	<u>QTY.</u>	<u>REMARKS</u>
1	M1332000512	MUFFLER	1	
2	M1333200304	GASKET	1	
3	0016908035	HEX, HEAD BOLT	6	
4	M1333300204	STAY	1	
5	0016908020	HEX, HEAD BOLT	6	
6	M1333003013	EXHAUST PIPE	1	
6-1	M1490003604	HEAT INSULATOR1		
7	8970420280	GASKET	1 REPLACES P/N 0602320100
8	M1333200214	GASKET	1	
9	0207008000	HEX NUT	4	
10	0016908035	HEX HEAD BOLT	4	

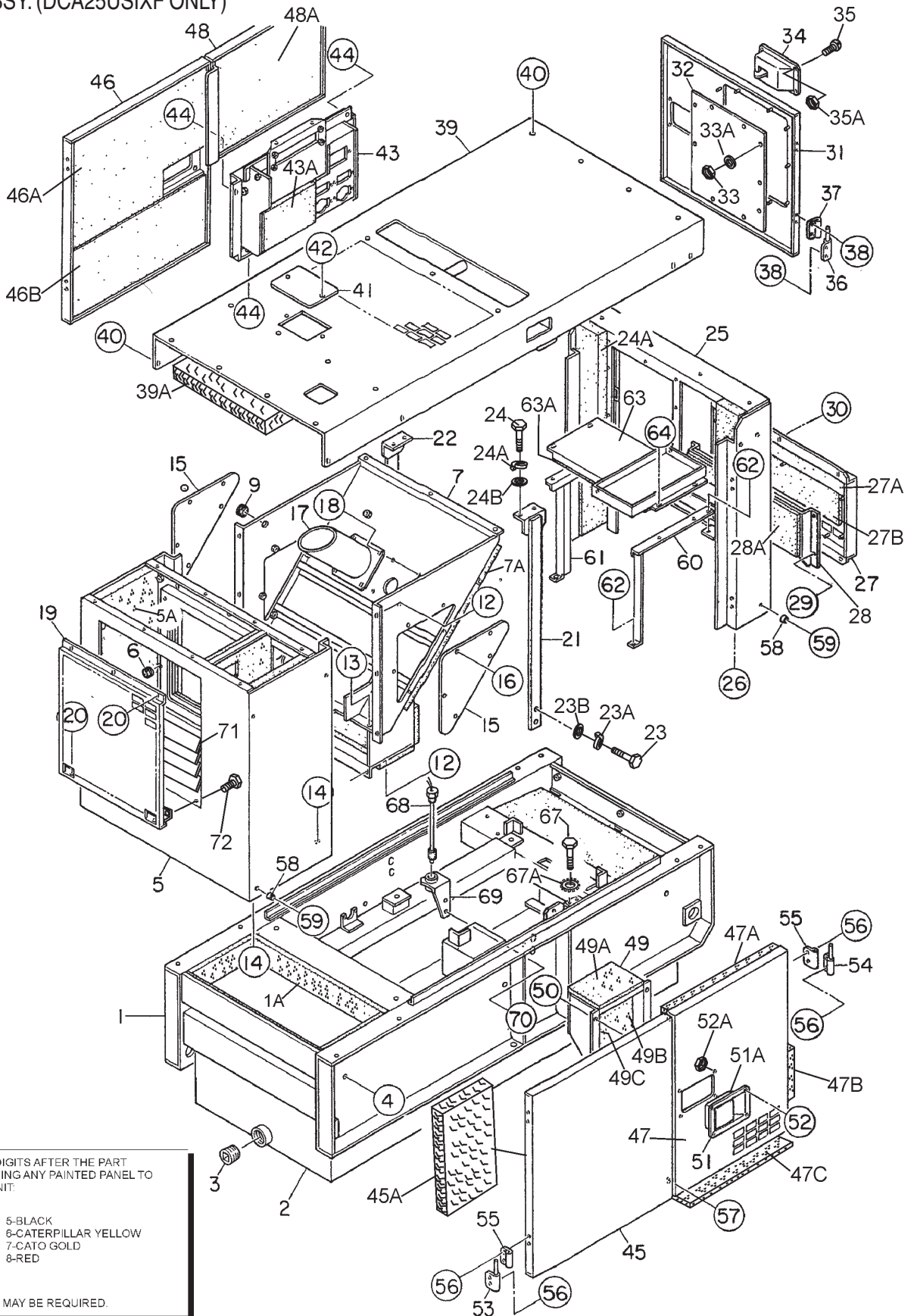
FUEL TANK ASSY.

FUEL TANK ASSY.

<u>NO.</u>	<u>PART NO.</u>	<u>PART NAME</u>	<u>QTY.</u>	<u>REMARKS</u>
1	M1363001302	FUEL TANK	1	
2	0605505072	FUEL TANK CAP	1	
3	0605501098	FUEL SENDER UNIT	1	
4	0605516090	GASKET	1	
5	0027104016	MACHINE SCREW	5	
6	M1363300314	TANK SUPPORT	2	
7	0016908035	HEX, HEAD BOLT	8	
8	0602022791	HOSE JOINT	2	
9	0191301200	VENT HOSE	1	
10	0605515109	HOSE BAND	7	
11	8943672922	FUEL FILTER ASSY.....	1	REPLACES P/N 0602042202
11A	8943692993	CARTRIDGE, FUEL FILTER	1	REPLACES P/N 0602042700
12	M1368700004	BRACKET, FUEL FILTER	1	
13	0016908020	HEX, HEAD BOLT	4	
14	8970398340	FUEL PUMP	1	REPLACES P/N 0602023177
14A	8944370220	FUEL FILTER, KIT	1	
15	0016906025	HEX, HEAD BOLT	2	
16	M1363400404	PICKUP TUBE	2	
17	0603306863	BUSHING	2	
18	0602022971	HOSE JOINT	2	
19	0191200330	SUCTION HOSE	1	
20	0191200200	SUCTION HOSE	1	
21	0191201300	SUCTION HOSE	1	
22	0191200800	RETURN HOSE	1	
23	0605515198	HOSE BAND	3	
24	0603306797	PLUG, 1-1/2	1	
25	0222100550	TANK SHEET	4	

DCA25USIXF — ECLOSURE ASSY.

ENCLOSURE ASSY. (DCA25USIXF ONLY)



ADD THE FOLLOWING DIGITS AFTER THE PART NUMBER WHEN ORDERING ANY PAINTED PANEL TO INDICATE COLOR OF UNIT:

- | | |
|-----------------|----------------------|
| 1-ORANGE | 5-BLACK |
| 2-WHITE | 6-CATERPILLAR YELLOW |
| 3-SPECTRUM GREY | 7-CATO GOLD |
| 4-SUNBELT GREEN | 8-RED |

THE SERIAL NUMBER MAY BE REQUIRED.

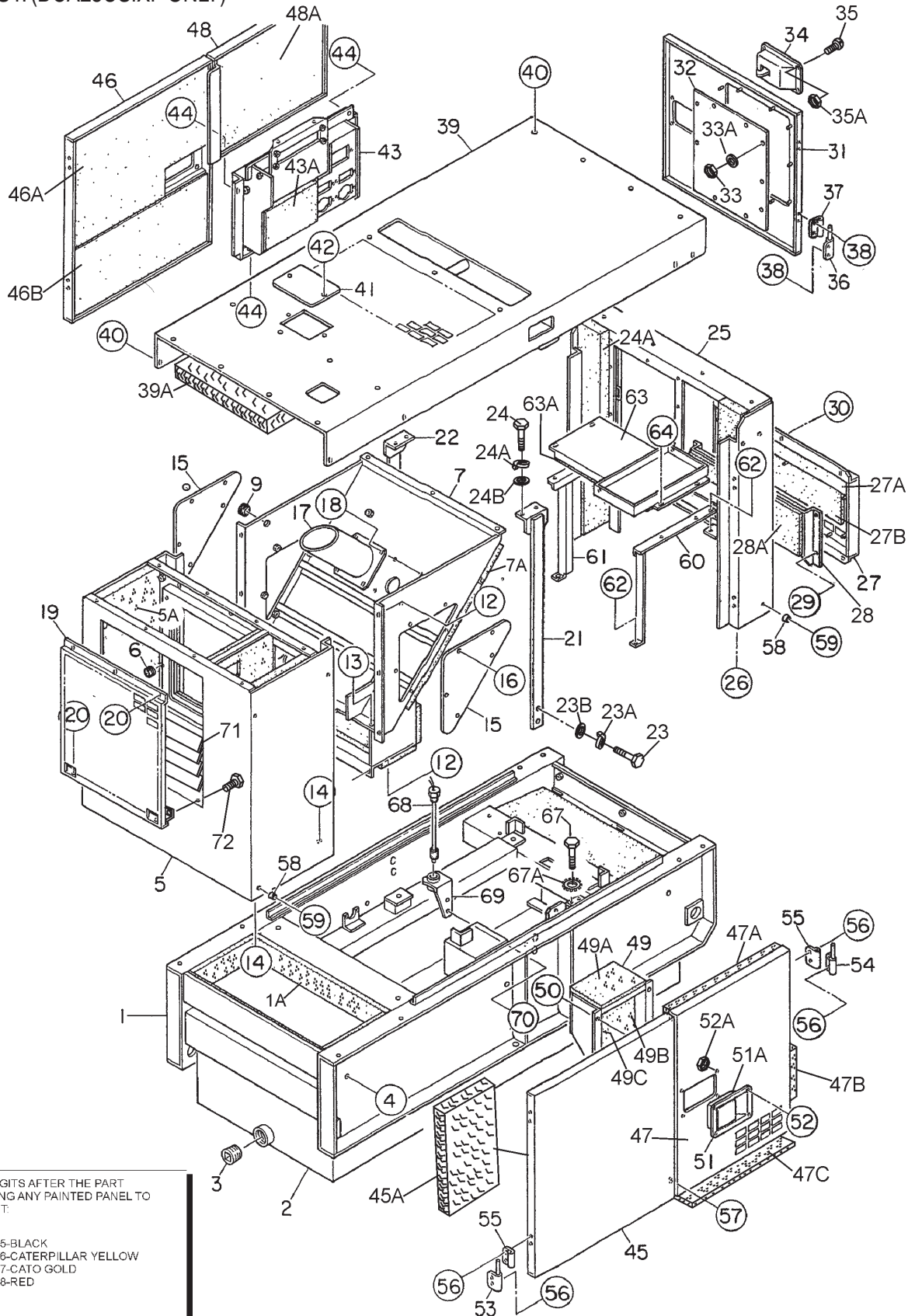
DCA25USIXF — ECLOSURE ASSY.

ENCLOSURE ASSY. (DCA25USIXF ONLY)

<u>NO.</u>	<u>PART NO.</u>	<u>PART NAME</u>	<u>QTY.</u>	<u>REMARKS</u>
1	M1413002502	BASE	1	
1A	M1493000004	ACOUSTIC SHEET	1	
2	M1413100003	ENVIRONMENTAL TANK	1	
3	0603306797	PLUG, 1-1/2	1	
4	0016910030	HEX, HEAD BOLT	6	
5	M1424000502	FRONT FRAME	1	
5A	M1495100403	ACOUSTIC SHEET	1	
6	0601850151	GROMMET	1	
7	M1424200702	FRONT DUCT	1	
7A	M1495100503	ACOUSTIC SHEET	1	
8	0601851740	GROMMET	1	
9	0601850239	GROMMET	1	
10	0601850097	STOPPER	5	
11	0027208025	MACHINE SCREW	5	
12	0016908020	HEX, HEAD BOLT	9	
13	0016906020	HEX, HEAD BOLT	4	
14	0016908020	HEX, HEAD BOLT	6	
15	M1425201204	DUCT COVER	2	
16	0016906020	HEX, HEAD BOLT	10	
17	M1424200803	HOSE COVER	1	
18	0016906020	HEX, HEAD BOLT	4	
19	M1425200903	COVER, FROM FRAME	1 S/N 8100001~8101465
19	M1423202003	COVER, FROM FRAME	1 S/N 8101466 AND ABOVE
20	0019208020	HEX, HEAD BOLT	5	
21	M1435300503	CENTER FRAME	1	
22	M1435300603	CENTER FRAME	1	
23	0013612030	HEX, HEAD BOLT	4	
23A	0040012000	WASHER, LOCK	4	
24B	0041212000	WASHER, FLAT	4	
24	0013612030	HEX, HEAD BOLT	4	
24A	0040012000	WASHER, LOCK	4	
24B	0041212000	WASHER, FLAT	4	
25	M1445000802	REAR FRAME	1	
25A	M1495300304	ACOUSTIC SHEET	1	
26	0016908020	HEX, HEAD BOLT	4	

DCA25USIXF — ECLOSURE ASSY.

ENCLOSURE ASSY. (DCA25USIXF ONLY)



ADD THE FOLLOWING DIGITS AFTER THE PART NUMBER WHEN ORDERING ANY PAINTED PANEL TO INDICATE COLOR OF UNIT:

- | | |
|-----------------|----------------------|
| 1-ORANGE | 5-BLACK |
| 2-WHITE | 6-CATERPILLAR YELLOW |
| 3-SPECTRUM GREY | 7-CATO GOLD |
| 4-SUNBELT GREEN | 8-RED |

THE SERIAL NUMBER MAY BE REQUIRED.

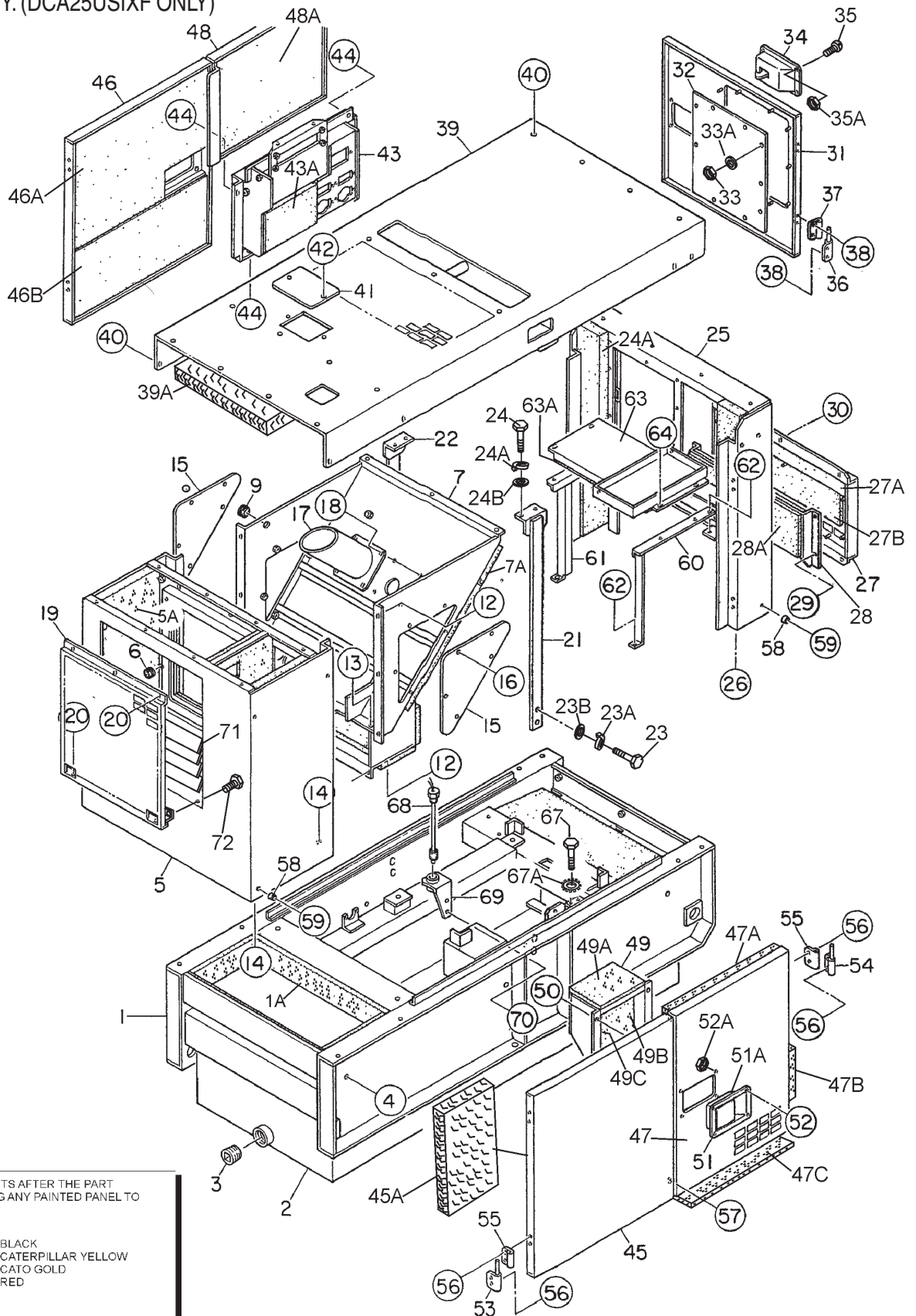
DCA25USIXF — ECLOSURE ASSY.

ENCLOSURE ASSY. (DCA25USIXF ONLY)

<u>NO.</u>	<u>PART NO.</u>	<u>PART NAME</u>	<u>QTY.</u>	<u>REMARKS</u>
27	M1445300103	REAR COVER	1	
27A	M1495300504	ACOUSTIC SHEET	1	
27B	M1495300604	ACOUSTIC SHEET	1	
28	M1445400103	DUCT	1	
28A	M1495300604	ACOUSTIC SHEET	2	
29	0207006000	HEX, NUT	7	
30	0019208020	HEX, HEAD BOLT	6	
31	M1445200303	REAR DOOR	1	
32	M1445600204	WINDOW PLATE	1	
33	0207306000	HEX, NUT	10	
33A	0041206000	WASHER, FLAT	10	
34	M9113000002	DOOR HANDLE ASSY.	1	
35	0021806016	MACHINE SCREW	4	
35A	0030006000	HEX, NUT	4	
36	M9112100404	HINGE	2	
37	M9112100604	HINGE	2	
38	0016908020	HEX, HEAD BOLT	8	
39	M1463001402	ROOF PANEL	1	
39A	M1495500213	ACOUSTIC SHEET	1	
40	0019208020	HEX, HEAD BOLT	23	
41	M1465400104	COVER	1	
42	0019208020	HEX, HEAD BOLT	2	
43	M1455200702	SPLASHER PANEL	1	
43A	M1495401004	ACOUSTIC SHEET	1	
44	0016908020	HEX, HEAD BOLT	4	
45	M1455100003	SIDE PANEL	1	
45A	M1495400904	ACOUSTIC SHEET	1	
46	M1455000903	SIDE DOOR	1	
46A	M1495500904	ACOUSTIC SHEET	1	
46B	M1495501004	ACOUSTIC SHEET	1	
47	M1455000803	SIDE DOOR	1	
47A	M1495501204	ACOUSTIC SHEET	1	
47B	M1495501304	ACOUSTIC SHEET	1	
46C	M1495401304	ACOUSTIC SHEET	1	
48	M1455000703	SIDE DOOR	1	
48A	M1495501104	ACOUSTIC SHEET	1	
49	M1455300403	DUCT	1	
49A	M1495401204	ACOUSTIC SHEET	3	
49B	M1495401304	ACOUSTIC SHEET	1	
49C	M1495401404	ACOUSTIC SHEET	1	
50	0207006000	HEX, NUT	6	

DCA25USIXF — ECLOSURE ASSY.

ENCLOSURE ASSY. (DCA25USIXF ONLY)



ADD THE FOLLOWING DIGITS AFTER THE PART NUMBER WHEN ORDERING ANY PAINTED PANEL TO INDICATE COLOR OF UNIT:

- | | |
|-----------------|----------------------|
| 1-ORANGE | 5-BLACK |
| 2-WHITE | 6-CATERPILLAR YELLOW |
| 3-SPECTRUM GREY | 7-CATO GOLD |
| 4-SUNBELT GREEN | 8-RED |

THE SERIAL NUMBER MAY BE REQUIRED.

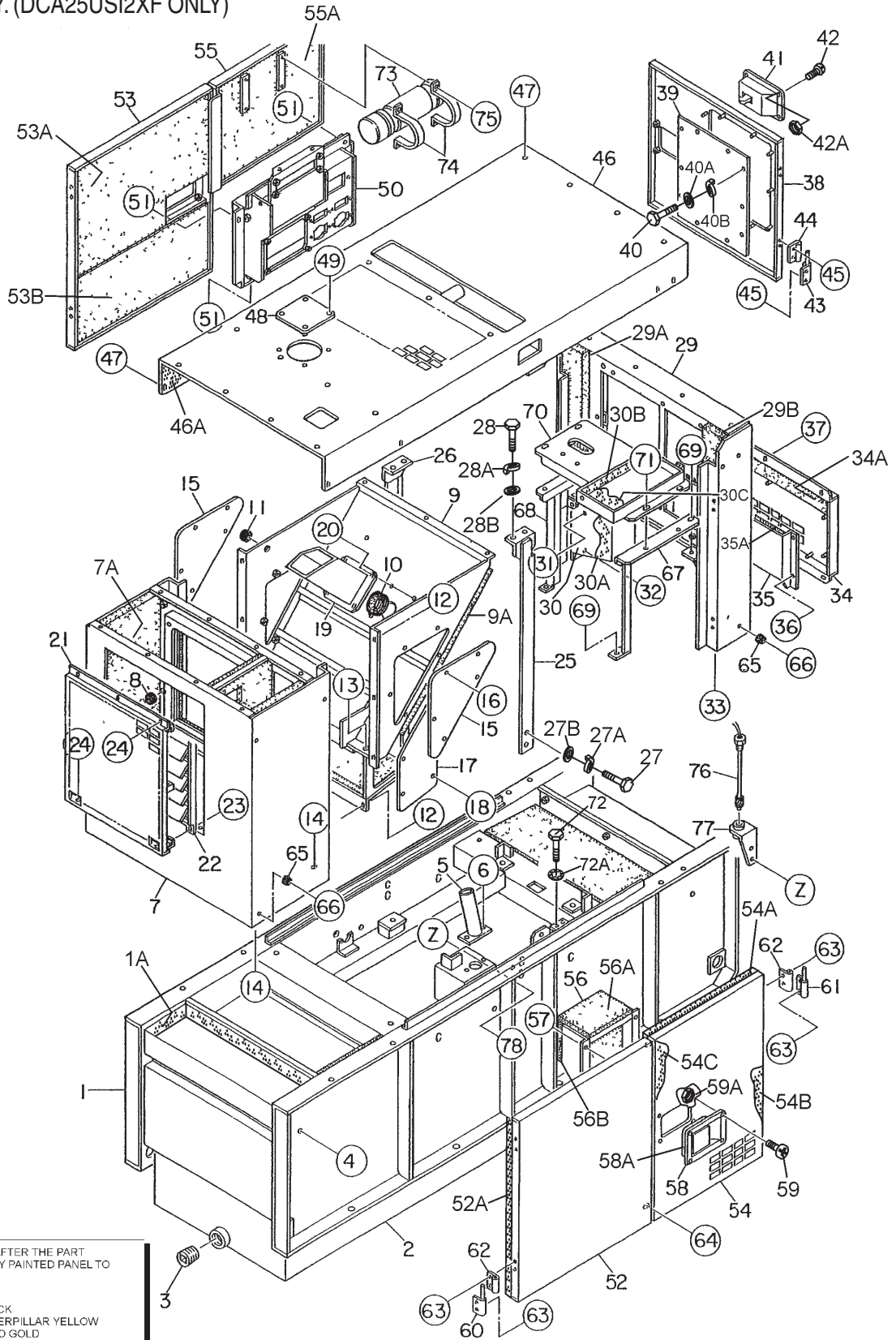
DCA25USIXF — ECLOSURE ASSY.

ENCLOSURE ASSY. (DCA25USIXF ONLY)

<u>NO.</u>	<u>PART NO.</u>	<u>PART NAME</u>	<u>QTY.</u>	<u>REMARKS</u>
51	M9113000002	DOOR HANDLE ASSY.	2	
51A	C9312500004	SEAL RUBBER	2	
52	0021806016	MACHINE SCREW	8	
52A	0030006000	HEX, NUT	8	
53	M9112100404	HINGE	4	
54	M9112100504	HINGE	4	
55	M9112100604	HINGE	8	
56	0016908020	HEX, HEAD BOLT	32	
57	0016908020	HEX, HEAD BOLT	2	
60	M1435000903	BRACKET STAY	1	
61	M1435000803	BRACKET STAY	1	
62	0016908020	HEX, HEAD BOLT	4	
63	M1435000703	SUPPORT LEG	1	
63A	M1498200004	ACOUSTIC SHEET	1	
64	0016908020	HEX, HEAD BOLT	4	
67	0016908020	HEX, HEAD BOLT	1	
67A	0040508000	TOOTHED WASHER	1	
68	0605503066	FUEL LEAK DETECTED SWITCH	1	
69	M1414800204	BRACKET	1	
70	0017108020	HEX, HEAD BOLT	2	
71	M1423202103	FRONT LOUVER	1	S/N 8101466 AND ABOVE
72	0016906016	HEX, HEAD BOLT	8	S/N 8101466 AND ABOVE

DCA25USI2XF — ECLOSURE ASSY.

ENCLOSURE ASSY. (DCA25USI2XF ONLY)



ADD THE FOLLOWING DIGITS AFTER THE PART NUMBER WHEN ORDERING ANY PAINTED PANEL TO INDICATE COLOR OF UNIT:

- | | |
|-----------------|----------------------|
| 1-ORANGE | 5-BLACK |
| 2-WHITE | 6-CATERPILLAR YELLOW |
| 3-SPECTRUM GREY | 7-CATO GOLD |
| 4-SUNBELT GREEN | 8-RED |

THE SERIAL NUMBER MAY BE REQUIRED.

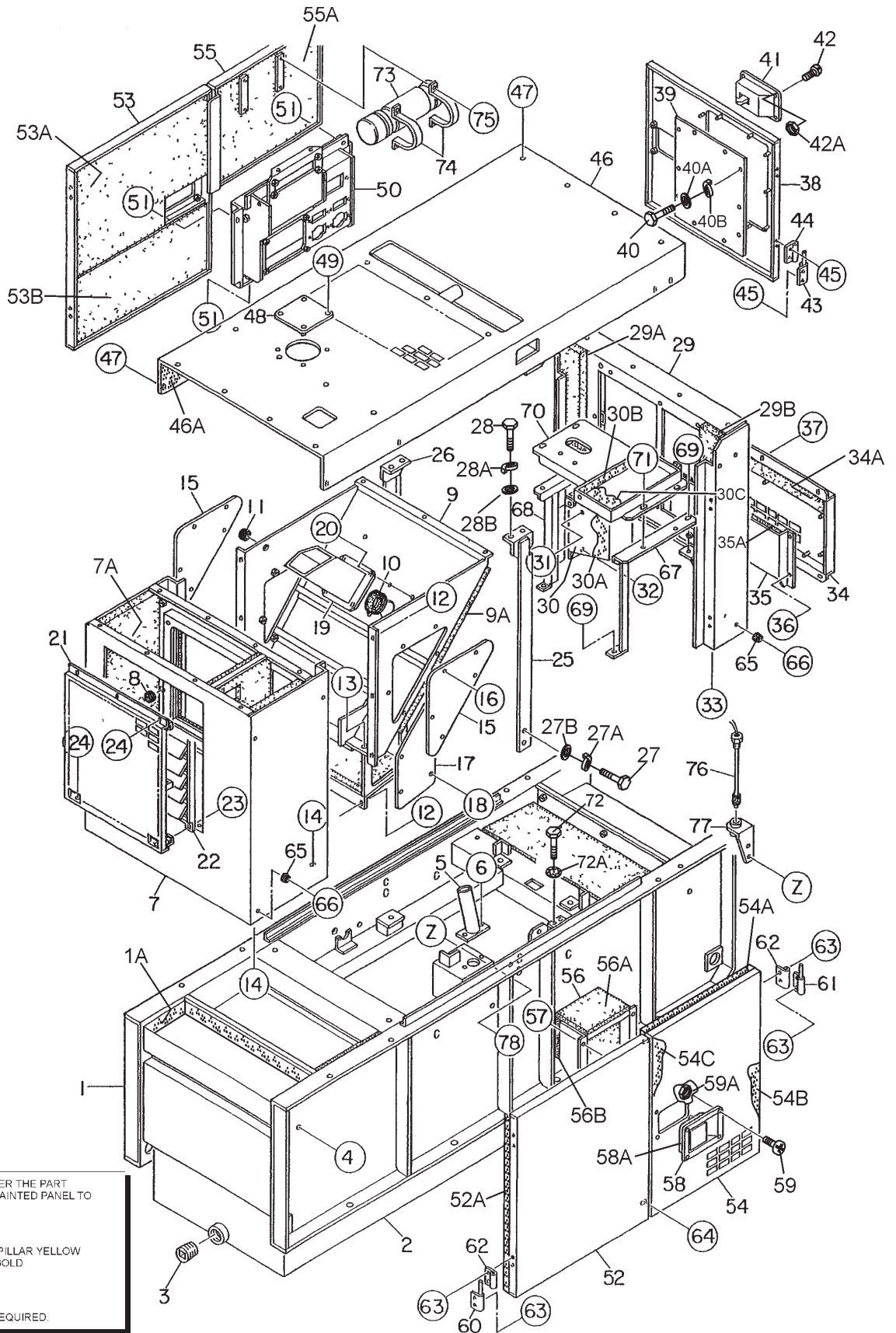
DCA25USI2XF — ECLOSURE ASSY.

ENCLOSURE ASSY. (DCA25USIXF ONLY)

<u>NO.</u>	<u>PART NO.</u>	<u>PART NAME</u>	<u>QTY.</u>	<u>REMARKS</u>
1	M1413003902	BASE	1	
1A	M1493000704	ACOUSTIC SHEET	1	
2	M1413100003	ENVIRONMENTAL TANK	1	
3	0603306797	PLUG, 1-1/2	1	
4	0016910030	HEX, HEAD BOLT	6	
5	M1424000502	FRONT FRAME	1	
5	M1413600004	DUCT	1	
6	0016908020	HEX, HEAD BOLT	6	
7	M1423002402	FRONT FRAME	1	
7A	M1493108303	ACOUSTIC SHEET	1	
8	0601850151	GROMMET	1	
9	M1423202602	FRONT DUCT	1	
9A	M1493108003	ACOUSTIC SHEET	1	
10	0601851740	GROMMET	1	
11	0601850239	GROMMET	1	
12	0016908020	HEX, HEAD BOLT	10	
13	0016906020	HEX, HEAD BOLT	1	
14	0016908020	HEX, HEAD BOLT	6	
15	M1423202704	DUCT COVER	2	
16	0016906020	HEX, HEAD BOLT	10	
17	M1423202704	DUCT COVER	1	
18	0016906020	HEX, HEAD BOLT	5	
19	M1424200803	HOSE COVER	1	
20	0016906020	HEX, HEAD BOLT	5	
21	M1423202003	COVER, FROM FRAME	1	
22	M1423202103	FRONT LOUVER	1	
23	0016906016	HEX, HEAD BOLT	8	
24	0019208020	HEX, HEAD BOLT	5	
25	M1433001403	CENTER FRAME	1	
26	M1433400003	CENTER FRAME	1	
27	0013612030	HEX, HEAD BOLT	4	
27A	0040012000	WASHER, LOCK	4	
27B	0041212000	WASHER, FLAT	4	
28	0013612030	HEX, HEAD BOLT	4	
28A	0040012000	WASHER, LOCK	4	
28B	0041212000	WASHER, FLAT	4	
29	M1443001502	REAR FRAME	1	
29A	M1493304004	ACOUSTIC SHEET	1	
29B	M1493305304	ACOUSTIC SHEET	1	
30	M1453301703	DUCT COVER	1	
30A	M1493305304	ACOUSTIC SHEET	1	
30B	M1493305404	ACOUSTIC SHEET	1	
30C	M1493305504	ACOUSTIC SHEET	1	

DCA25USI2XF — ECLOSURE ASSY.

ENCLOSURE ASSY. (DCA25USI2XF ONLY)



ADD THE FOLLOWING DIGITS AFTER THE PART NUMBER WHEN ORDERING ANY PAINTED PANEL TO INDICATE COLOR OF UNIT:

- | | |
|-----------------|----------------------|
| 1-ORANGE | 5-BLACK |
| 2-WHITE | 6-CATERPILLAR YELLOW |
| 3-SPECTRUM GREY | 7-CATO GOLD |
| 4-SUNBELT GREEN | 8-RED |

THE SERIAL NUMBER MAY BE REQUIRED.

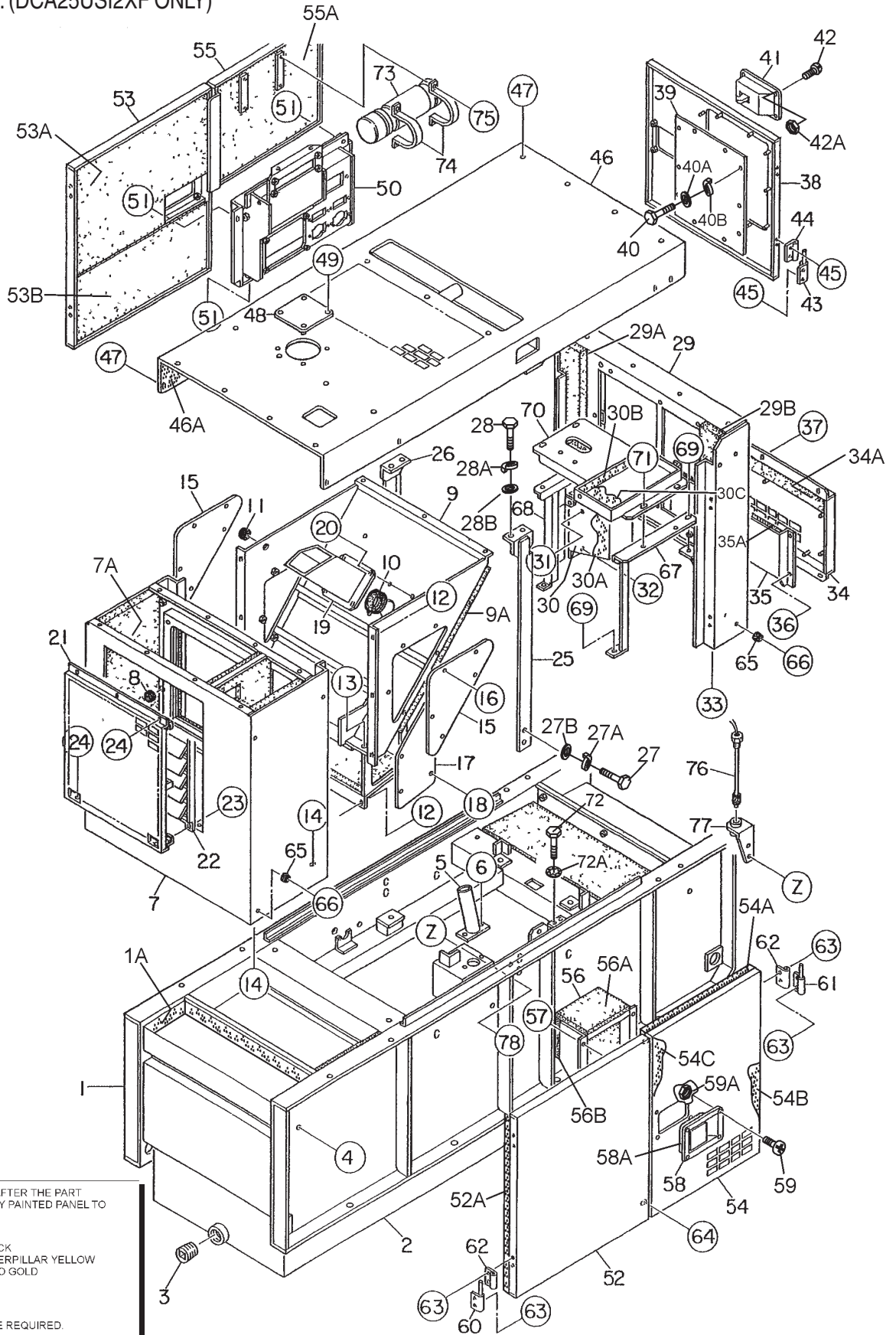
DCA25USI2XF — ECLOSURE ASSY.

ENCLOSURE ASSY. (DCA25USI2XF ONLY)

<u>NO.</u>	<u>PART NO.</u>	<u>PART NAME</u>	<u>QTY.</u>	<u>REMARKS</u>
31	0016906016	HEX, HEAD BOLT	1	
32	0207006000	HEX, NUT	2	
33	0019208020	HEX, HEAD BOLT	4	
34	M1443302203	REAR COVER	1	
34A	M1493305104	ACOUSTIC SHEET	1	
35	M1443400103	DUCT	1	
35A	M1493305204	ACOUSTIC SHEET	1	
36	0207006000	HEX, NUT	7	
37	0019208020	HEX, HEAD BOLT	6	
38	M1445200303	REAR DOOR	1	
39	M1445600204	WINDOW PLATE	1	
40	0207306000	HEX, NUT	10	
40A	0041206000	WASHER, FLAT	10	
41	M9113000002	DOOR HANDLE ASSY.	1	
42	0021806016	MACHINE SCREW	4	
42A	0030006000	HEX, NUT	4	
43	M9112100404	HINGE	2	
44	M9112100604	HINGE	2	
45	0016908020	HEX, HEAD BOLT	8	
46	M1463001902	ROOF PANEL	1	
46A	M1493505603	ACOUSTIC SHEET	1	
47	0019208020	HEX, HEAD BOLT	23	
48	M3310600004	COVER	1	
49	0019208020	HEX, HEAD BOLT	4	
50	M1453200802	SPLASHER PANEL	1	
51	0016908020	HEX, HEAD BOLT	4	
52	M1455100003	SIDE PANEL	1	
52A	M1493410104	ACOUSTIC SHEET	1	
53	M1453004903	SIDE DOOR	1	
53A	M1493409904	ACOUSTIC SHEET	1	
53B	M1495501004	ACOUSTIC SHEET	1	
54	M1455000803	SIDE DOOR	1	
54A	M1495501204	ACOUSTIC SHEET	1	
54B	M1495501304	ACOUSTIC SHEET	1	
54C	M1495401404	ACOUSTIC SHEET	1	
55	M1453005003	SIDE DOOR	1	
55A	M1493410004	ACOUSTIC SHEET	1	
56	M1455300403	DUCT	1	
56A	M1495401204	ACOUSTIC SHEET	3	
56B	M1495401404	ACOUSTIC SHEET	1	
57	0207006000	HEX, NUT	6	

DCA25USI2XF — ECLOSURE ASSY.

ENCLOSURE ASSY. (DCA25USI2XF ONLY)



ADD THE FOLLOWING DIGITS AFTER THE PART NUMBER WHEN ORDERING ANY PAINTED PANEL TO INDICATE COLOR OF UNIT:

- | | |
|-----------------|----------------------|
| 1-ORANGE | 5-BLACK |
| 2-WHITE | 6-CATERPILLAR YELLOW |
| 3-SPECTRUM GREY | 7-CATO GOLD |
| 4-SUNBELT GREEN | 8-RED |

THE SERIAL NUMBER MAY BE REQUIRED

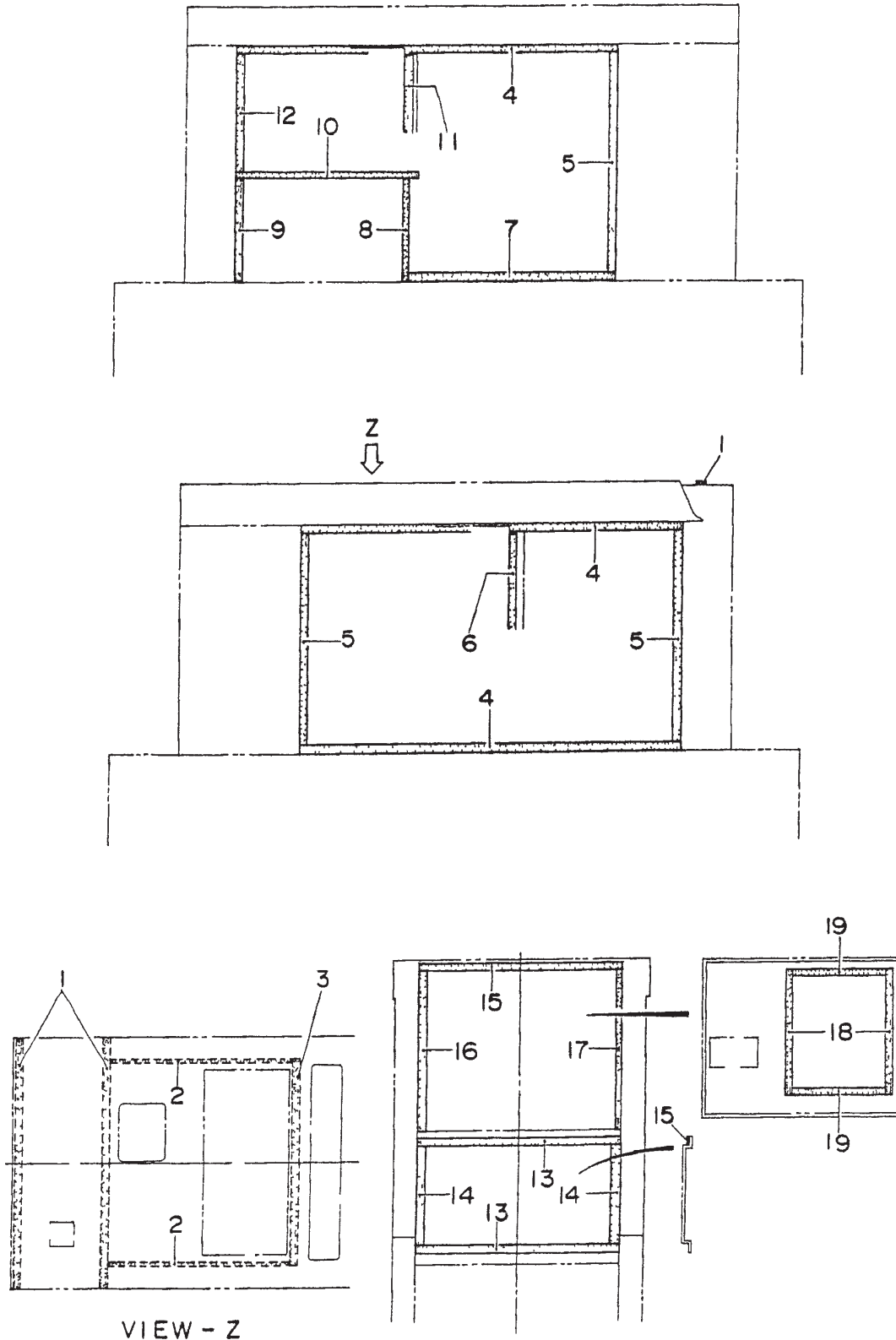
DCA25USI2XF — ECLOSURE ASSY.

ENCLOSURE ASSY. (DCA25USI2XF ONLY)

<u>NO.</u>	<u>PART NO.</u>	<u>PART NAME</u>	<u>QTY.</u>	<u>REMARKS</u>
58	M9113000002	DOOR HANDLE ASSY.	2	
58A	C9312500004	SEAL RUBBER	2	
59	0021806016	MACHINE SCREW	8	
59A	0030006000	HEX, NUT	8	
60	M9112100404	HINGE	4	
61	M9112100504	HINGE	4	
62	M9112100604	HINGE	8	
63	0016908020	HEX, HEAD BOLT	32	
64	0016908020	HEX, HEAD BOLT	2	
65	0601850097	STOPPER	5	
66	0027208025	MACHINE SCREW	5	
67	M1433300003	BRACKET STAY	1	
68	M1435000803	BRACKET STAY	1	
69	0016908020	HEX, HEAD BOLT	4	
70	M1433001103	SUPPORT LEG	1	
70A	M1493200004	ACOUSTIC SHEET	1	
71	0016908020	HEX, HEAD BOLT	4	
72	0016908020	HEX, HEAD BOLT	1	
72A	0040508000	TOOTHED WASHER	1	
73	0600800321	MANUAL HOLDER	1	
74	0605503066	CLAMP, MANUAL HOLDER	2	
75	0016906016	HEX, HEAD BOLT	4	
76	0605503066	FUEL LEAK DETECTED SWITCH	1	
77	M1414800204	BRACKET	1	
78	0017108020	HEX, HEAD BOLT	2	

RUBBER SEALS ASSY.

RUBBER SEALS ASSY.



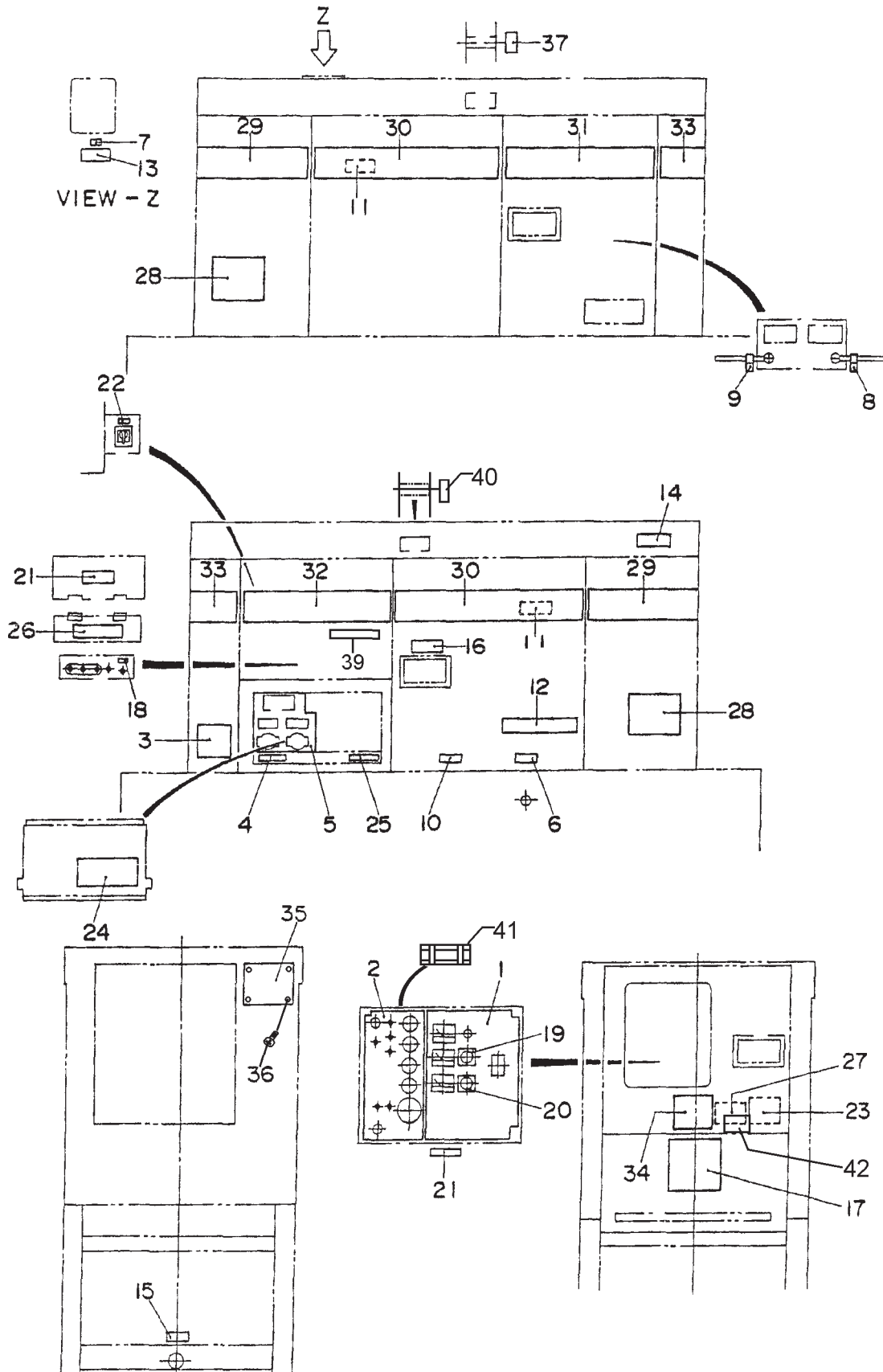
RUBBER SEALS ASSY.

RUBBER SEALS ASSY.

<u>NO.</u>	<u>PART NO.</u>	<u>PART NAME</u>	<u>QTY.</u>	<u>REMARKS</u>
1	0229200790	SEAL RUBBER	3	
2	0314500560	SEAL RUBBER	2	
3	0229200630	SEAL RUBBER	1	
4	0228901220	SEAL RUBBER	3	
5	0228900690	SEAL RUBBER	3	
6	0228800690	SEAL RUBBER	1	
7	0228900655	SEAL RUBBER	1	
8	0228900325	SEAL RUBBER	1	
9	0229200325	SEAL RUBBER	1	
10	0228800595	SEAL RUBBER	1 DCA25USI
10	0228800590	SEAL RUBBER	1 DCA25USI2
11	0228800375	SEAL RUBBER	1	
12	0228900375	SEAL RUBBER	1	
13	0229200650	SEAL RUBBER	2	
14	0229200320	SEAL RUBBER	2	
15	0228800650	SEAL RUBBER	2	
16	0228900520	SEAL RUBBER	1	
16	0228900510	SEAL RUBBER	1	
17	0228800520	SEAL RUBBER	1 DCA25USU
17	0228800510	SEAL RUBBER	1 DCA25USI2
18	0228100390	SEAL RUBBER	2	
19	0228100320	SEAL RUBBER	2	

NAMEPLATE AND DECALS ASSY.

NAME PLATE ASSY.



NAMEPLATE AND DECALS ASSY.

NAME PLATE ASSY.

<u>NO.</u>	<u>PART NO.</u>	<u>PART NAME</u>	<u>QTY.</u>	<u>REMARKS</u>
1	M1512400002	DECAL; GENERATOR CONTROL, DCAUSIXF	1	M11240000A
1	M1510300902	DECAL; GENERATOR CONTROL, DCAUSI2XF	1	M11030090
2	M1512400122	DECAL; ENGINE OPERATING, DCAUSIXF	1	M11240012
2	M1510301002	DECAL; ENGINE OPERATING, DCAUSI2XF	1	M15000010
3	M1550000104	DECAL; NOTE	1	M15000010
4	M1550000204	DECAL; NOTE	1	M15000020
5	M1552000603	DECAL; AUXILLARY OUTPUT	1	M15200060
6	M9500000004	DECAL; OIL DRAIN PLUG	1	M90000000
7	M9500100004	DECAL; WATER	1	M90010000
8	M9500300004	DECAL; -	1	M90030000
9	M9500300104	DECAL; +	1	M90030010
10	M9500500004	DECAL; DIESEL FUEL, DCA25USIXF	1	M90050000
10	M9500500304	DECAL; DIESEL FUEL, DCA25USI2XF	1	M90050030
11	M9503000004	DECAL; WARNING MOVING PARTS	2	M90300000
12	M9503000103	DECAL; WATER - OIL CHECK	1	M90300010
13	M9503100004	DECAL; WARNING HOT COOLANT	1	M90310000
14	M9503200004	DECAL; WARNING ENGINE EXHAUST	1	M90320000
15	M9510000004	DECAL; FLUID DRAIN	1	M91000000
16	M9510100004	DECAL; CAUTION HOT PARTS	1	M91010000
17	M9512200004	DECAL; MQ	1	M91220000
18	M9520000004	DECAL; GROUND	1	M92000000
19	M9520000104	DECAL; AMMETER CHANGE-OVER SW.	1	M92000010
20	M9520000204	DECAL; VOLTMETER CHANGE-OVER SW.	1	M92000020
21	M9520100004	DECAL; WARNING ELECTRIC SHOCK HAZARD .	2	M92010000
22	M9520100204	DECAL; CAUTION	1	M92010020A
23	M9520100304	DECAL; SAFETY INSTRUCTION	1	M92010030
24	M9520100404	DECAL; DANGER HIGH VOLTAGE	1	M92010040
25	M9520100503	DECAL; WARNING	1	M92010050
26	M9520200003	DECAL; CONNECTION OF OUTPUT CABLE	1	M92020000
27	M9520200104	DECAL; OVER CURRENT RELAY	1	M92020010
28	M1561000004	DECAL; MQ POWER, DCA25USI	3	S/N 8011111 TO 8100219
28	M1561000004	DECAL; MQ POWER, DCA25USI	2	S/N 8100220~
28	M1561000004	DECAL; MQ POWER, DCA25USI2	2	
29	M1562100004	STRIPE	2	
30	M1562100103	STRIPE; WHISPERWATT	2	
31	M1562100204	STRIPE; 25	1	
32	M1562100304	STRIPE; 25	1	
33	M1562100404	STRIPE	2	
34	M9510100304	DECAL; ENVIR. WARNING	1	M91010030
35	0600500092	PLATE; MQ POWER	1	
36	0021106016	MACHINE SCREW	4	
37	M1550001404	DECAL; CAUTION	1	
38	M9520000804	DECAL; AC, DCA25USIXF	1	M92000080 S/N 8101596~
38	M9520000804	DECAL; AC, DCA25USI2XF	1	
39	M9510000104	DECAL; DOCUMENT BOX, DCA25USI2XF	1	M91000010
40	M1550001404	DECAL; CAUTION, DCA25USI2XF	1	M15000120
41	M9521000004	DECAL; TERMINAL, DCA25USI2XF	1	
42	M9504200004	DECAL; WARNING START FIRES, DCA25USI2XF	1	M90420000 S/N 8103260~

TERMS AND CONDITIONS OF SALE — PARTS

PAYMENT TERMS

Terms of payment for parts are net 10 days.

FREIGHT POLICY

All parts orders will be shipped collect or prepaid with the charges added to the invoice. All shipments are F.O.B. point of origin. Multiquip's responsibility ceases when a signed manifest has been obtained from the carrier, and any claim for shortage or damage must be settled between the consignee and the carrier.

MINIMUM ORDER

The minimum charge for orders from Multiquip is \$15.00 net. Customers will be asked for instructions regarding handling of orders not meeting this requirement.

RETURNED GOODS POLICY

Return shipments will be accepted and credit will be allowed, subject to the following provisions:

1. A Returned Material Authorization must be approved by Multiquip prior to shipment.
2. To obtain a Return Material Authorization, a list must be provided to Multiquip Parts Sales that defines item numbers, quantities, and descriptions of the items to be returned.
 - a. The parts numbers and descriptions must match the current parts price list.
 - b. The list must be typed or computer generated.
 - c. The list must state the reason(s) for the return.
 - d. The list must reference the sales order(s) or invoice(s) under which the items were originally purchased.
 - e. The list must include the name and phone number of the person requesting the RMA.
3. A copy of the Return Material Authorization must accompany the return shipment.
4. Freight is at the sender's expense. All parts must be returned freight prepaid to Multiquip's designated receiving point.

5. Parts must be in new and resalable condition, in the original Multiquip package (if any), and with Multiquip part numbers clearly marked.

6. The following items are not returnable:

- a. Obsolete parts. (If an item is in the price book and shows as being replaced by another item, it is obsolete.)
- b. Any parts with a limited shelf life (such as gaskets, seals, "O" rings, and other rubber parts) that were purchased more than six months prior to the return date.
- c. Any line item with an extended dealer net price of less than \$5.00.
- d. Special order items.
- e. Electrical components.
- f. Paint, chemicals, and lubricants.
- g. Decals and paper products.
- h. Items purchased in kits.

7. The sender will be notified of any material received that is not acceptable.

8. Such material will be held for five working days from notification, pending instructions. If a reply is not received within five days, the material will be returned to the sender at his expense.

9. Credit on returned parts will be issued at dealer net price at time of the original purchase, less a 15% restocking charge.

10. In cases where an item is accepted, for which the original purchase document can not be determined, the price will be based on the list price that was effective twelve months prior to the RMA date.

11. Credit issued will be applied to future purchases only.

PRICING AND REBATES

Prices are subject to change without prior notice. Price changes are effective on a specific date and all orders received on or after that date will be billed at the revised price. Rebates

for price declines and added charges for price increases will not be made for stock on hand at the time of any price change.

Multiquip reserves the right to quote and sell direct to Government agencies, and to Original Equipment Manufacturer accounts who use our products as integral parts of their own products.

SPECIAL EXPEDITING SERVICE

A \$35.00 surcharge will be added to the invoice for special handling including bus shipments, insured parcel post or in cases where Multiquip must personally deliver the parts to the carrier.

LIMITATIONS OF SELLER'S LIABILITY

Multiquip shall not be liable here under for damages in excess of the purchase price of the item with respect to which damages are claimed, and in no event shall Multiquip be liable for loss of profit or good will or for any other special, consequential or incidental damages.

LIMITATION OF WARRANTIES

No warranties, express or implied, are made in connection with the sale of parts or trade accessories nor as to any engine not manufactured by Multiquip. Such warranties made in connection with the sale of new, complete units are made exclusively by a statement of warranty packaged with such units, and Multiquip neither assumes nor authorizes any person to assume for it any other obligation or liability whatever in connection with the sale of its products. Apart from such written statement of warranty, there are no warranties, express, implied or statutory, which extend beyond the description of the products on the face hereof.

OPERATION AND PARTS MANUAL

HERE'S HOW TO GET HELP

PLEASE HAVE THE MODEL AND SERIAL
NUMBER ON-HAND WHEN CALLING

UNITED STATES

Multiquip Corporate Office

18910 Wilmington Ave. Tel. (800) 421-1244
Carson, CA 90746 Fax (800) 537-3927
Contact: mq@multiquip.com

Service Department

800-421-1244 Fax: 310-537-4259
310-537-3700

Technical Assistance

800-478-1244 Fax: 310-943-2238

MQ Parts Department

800-427-1244 Fax: 800-672-7877
310-537-3700 Fax: 310-637-3284

Warranty Department

800-421-1244 Fax: 310-943-2249
310-537-3700

MEXICO

MQ Cipsa

Carr. Fed. Mexico-Puebla KM 126.5 Tel: (52) 222-225-9900
Momoxpan, Cholula, Puebla 72760 Mexico Fax: (52) 222-285-0420
Contact: pmastretta@cipsa.com.mx

CANADA

Multiquip

4110 Industriel Boul. Tel: (450) 625-2244
Laval, Quebec, Canada H7L 6V3 Tel: (877) 963-4411
Contact: jmartin@multiquip.com Fax: (450) 625-8664

UNITED KINGDOM

Multiquip (UK) Limited Head Office

Unit 2, Northpoint Industrial Estate, Tel: 0161 339 2223
Globe Lane, Fax: 0161 339 3226
Dukinfield, Cheshire SK16 4UJ
Contact: sales@multiquip.co.uk

© COPYRIGHT 2011, MULTQUIP INC.

Multiquip Inc, the MQ logo and the MQ Power logo are registered trademarks of Multiquip Inc. and may not be used, reproduced, or altered without written permission. All other trademarks are the property of their respective owners and used with permission.

This manual MUST accompany the equipment at all times. This manual is considered a permanent part of the equipment and should remain with the unit if resold.

The information and specifications included in this publication were in effect at the time of approval for printing. Illustrations, descriptions, references and technical data contained in this manual are for guidance only and may not be considered as binding. Multiquip Inc. reserves the right to discontinue or change specifications, design or the information published in this publication at any time without notice and without incurring any obligations.

Your Local Dealer is:

