

Glass & Stainless Canopy Hood

RH42PC60G S



Glass Canopy Design

Sophisticated style makes this ventilation unit as attractive as it is functional. Glass canopy hood has sleek curved design – making it a focal point of the kitchen.



600 CFMs / 4-Speed Fan

Features a powerful 4-speed dual centrifugal fan supplying 600 CFM of air movement. Effectively and quietly removes smoke, vapors and smells from the kitchen.



Quad Halogen Lights

Island cooking surface area is brightly lit by quad halogen lights, paired in groups of two and set at two separate levels.



Electronic Controls with LCD Display

Easy-to-operate electronic controls provide convenient access to all fan, clock and timer settings.

42" GLASS & STAINLESS CANOPY ISLAND HOOD

Features

Nominal Width	42"
Installation Type	Island/Peninsula
Style	Stainless Steel/ Glass Canopy
Air Discharge	Vertical
Air Delivery (CFM)	600
Blower Type	Dual Centrifugal
Electronic Controls with LCD Display	Yes
Fan Speeds	4
Sound Level (dBA)	73.8
Quad Halogen Lights	Yes
Washable Stainless Steel Filters	Yes
Exhaust Duct	Convertible*
Duct Required	8" Round

Accessories

Duct-Free Kit – RHDFP60GS	Optional
---------------------------	----------

Specifications

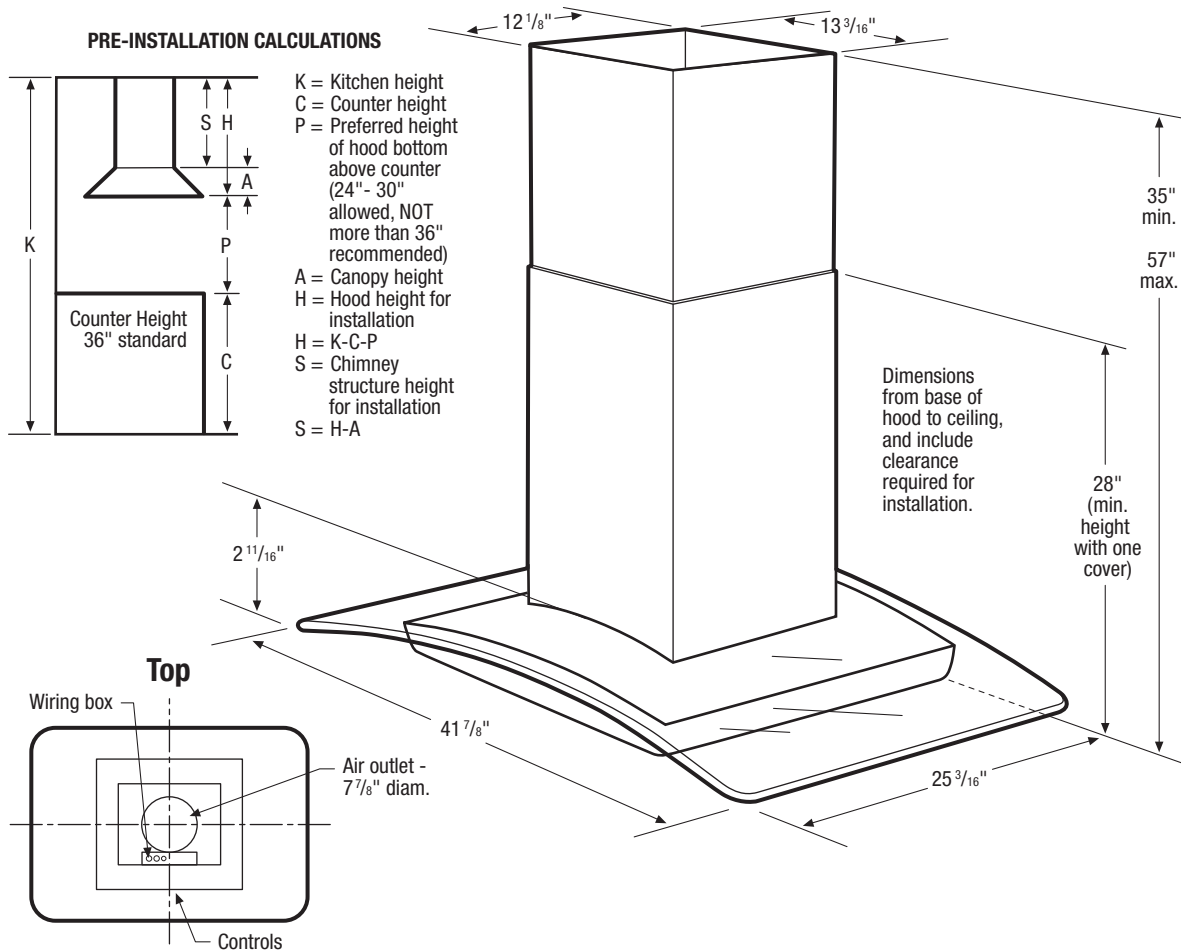
Overall Exterior Dimensions –	
Width	41-7/8"
Height (With One Cover) (With Flue Extension)	28" min. 35" min. 57" max.
Depth	25-3/16"
Voltage Rating	120V/60Hz / 15A
Connected Load (kW Rating) @ 120 Volts [‡]	0.516
Product Weight	87 Lbs.
Shipping Weight	90 Lbs.
Sones Rating	9.0

* Ventilation is convertible to be either ducted outside, or recirculated inside requiring no ducting. (Recirculated option requires use of optional Duct-Free Kit.)

† For use on adequately wired 120V, dedicated circuit having 2-wire service with a separate ground wire. Appliance must be grounded for safe operation.

NOTE: Always consult local and/or national electric codes. Check local building codes for installation requirements, as they may vary per locale. Refer to Product Installation Guide for detailed installation instructions on the web at www.electroluxappliances.com.

Specifications subject to change.



42" Glass & Stainless Canopy Island Hood Specifications

- Product Weight – 87 Lbs.
- Island / Peninsula Installation
- Ventilation is convertible to be either ducted outside, or recirculated inside requiring no ducting.
- Sones Rating – 9.0
- Voltage Rating – 120V/60 Hz/15 Amps
- Connected Load (kW Rating) @ 120 Volts = 0.516 kW (For use on adequately wired 120V, dedicated circuit having 2-wire service with a separate ground wire. Appliance must be grounded for safe operation.)
- Amps @ 120 Volts = 4.16 Amps
- Always consult local and/or national electric codes. Check local building codes for installation requirements, as they may vary per locale.
- Minimum installation height allowed from bottom of hood to cooking surface is 24" - 30" for electric and 30" for gas. (NOT more than 36" recommended.)
- To prepare mounting surface, adequate structure and support must be provided, capable of supporting 150 lbs.

Ducted Option Specifications

- For outside ventilation only.
- Exhaust Duct Required – 8" round
- For most efficient airflow exhaust, use a straight run or as few elbows as possible.
- Use metallic flex ducting only to connect rigid duct directly to transitions (if allowed by code).

- Thermal breaks such as short section of nonmetallic duct, should be used in areas of extreme cold.
- Cold weather installations should have additional backdraft damper installed.
- Refer to web for detailed duct preparation installation instructions.

Ductless (Recirculated) Option Specifications

- If ducting to outside is not an option, vent hood can be converted to ductless with use of optional Duct-Free Kit (RHDFP60GS).
- Refer to web for detailed convertible ventilation installation instructions.

Pre-Installation Calculations

- Select hood preference height (P) that is comfortable for user (24" - 30" minimum allowed, NOT more than 36" recommended).
- Calculate hood height (H) for installation (H = K - C - P).
- Confirm that (H) is within minimum to maximum range for hood. If not, adjust installation.
- Calculate chimney structure height (S). Use formulas, check dimensions of hood. Save calculation for use later in installation.

Note: For planning purposes only. Refer to Product Installation Guide on the web at electroluxappliances.com for detailed instructions.

Optional Accessories

- Duct-Free Kit – (RHDFP60GS).