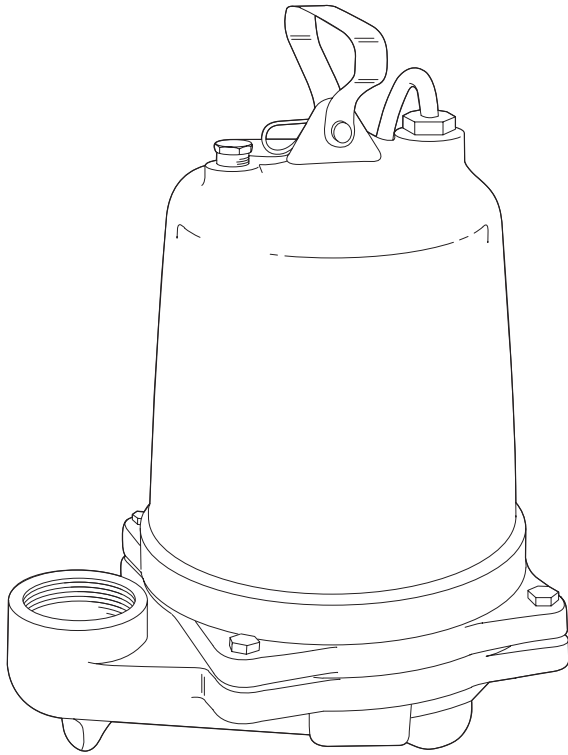


# Installation, Operation and Maintenance Instructions

# Models 3885, 3886, 3887



## Owner's Information

Model Number: \_\_\_\_\_  
 Serial Number: \_\_\_\_\_  
 Dealer: \_\_\_\_\_  
 Dealer's Phone No. \_\_\_\_\_  
 Date of Purchase: \_\_\_\_\_ Installation: \_\_\_\_\_  
 Current Readings at Startup:  
 Single Phase: \_\_\_\_\_  
 Three Phase – 1st Phase: \_\_\_\_\_  
 2nd Phase: \_\_\_\_\_ 3rd Phase: \_\_\_\_\_

## Table of Contents

SUBJECT	PAGE
Safety Instructions .....	2
Description and Specifications .....	2
Lifting of Pump .....	2
Sliderail System .....	2
Piping .....	2
Access Doors .....	3
Liquid Level Controls .....	3
Pump Motor Control Panels .....	3
Wiring and Grounding .....	3
Operation .....	4
Maintenance .....	4
Disassembly/Assembly .....	5
Mechanical Seal Replacement .....	5
Power Cable Replacement .....	5
Start Capacitor Replacement .....	6
Motor Replacement .....	6
Engineering Data .....	7
Sectional Assembly .....	8
Repair Parts and Materials of Construction .....	9, 10
Typical 2" Slide Rail Installation .....	11
Typical Plumbing and Installation .....	11
Trouble Shooting .....	12
Goulds Pumps Limited Warranty .....	12

## SAFETY INSTRUCTIONS

**TO AVOID SERIOUS OR FATAL PERSONAL INJURY OR MAJOR PROPERTY DAMAGE, READ AND FOLLOW ALL SAFETY INSTRUCTIONS IN MANUAL AND ON PUMP.**

**THIS MANUAL IS INTENDED TO ASSIST IN THE INSTALLATION AND OPERATION OF THIS UNIT AND MUST BE KEPT WITH THE PUMP.**



This is a **SAFETY ALERT SYMBOL**. When you see this symbol on the pump or in the manual, look for one of the following signal words and be alert to the potential for personal injury or property damage.



**DANGER** Warns of hazards that **WILL** cause serious personal injury, death or major property damage.



**WARNING** Warns of hazards that **CAN** cause serious personal injury, death or major property damage.

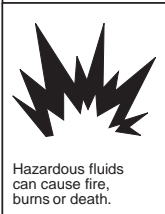


**CAUTION** Warns of hazards that **CAN** cause personal injury or property damage.

**NOTICE:** INDICATES SPECIAL INSTRUCTIONS WHICH ARE VERY IMPORTANT AND MUST BE FOLLOWED.

**THOROUGHLY REVIEW ALL INSTRUCTIONS AND WARNINGS PRIOR TO PERFORMING ANY WORK ON THIS PUMP.**

**MAINTAIN ALL SAFETY DECALS.**



Hazardous fluids can cause fire, burns or death.

**UNIT NOT DESIGNED FOR USE WITH HAZARDOUS LIQUIDS OR FLAMMABLE GASES. THESE FLUIDS MAY BE PRESENT IN CONTAINMENT AREAS.**

**NOTICE:** INSPECT UNIT FOR DAMAGE AND REPORT ALL DAMAGE TO THE CARRIER OR DEALER IMMEDIATELY.

## DESCRIPTION AND SPECIFICATIONS

The Model 3885 is a 2" NPT discharge, 3/4" (19 mm) solids handling, submersible effluent pump. The Model 3886 is a 2" (50 mm) solids handling, submersible sewage pump. The Model 3887 is a 2" flanged (standard) 3" flange (optional) discharge, 2" (50 mm) solids handling, submersible sewage pump.

### Lifting of Pump



Hazardous voltage can shock, burn or cause death.

**DO NOT LIFT, CARRY OR HANG PUMP BY THE ELECTRICAL CABLES. DAMAGE TO THE ELECTRICAL CABLES CAN CAUSE SHOCK, BURNS OR DEATH.**

- Lift the pump with an adequately sized chain or cable attached to the lifting handle (458). **DO NOT** damage electrical cables while raising and lowering unit.

### Sliderail System

- The **OPTIONAL** Goulds Model A10-20 sliderail system is recommended for proper installation.

**NOTICE:** FOLLOW THE INSTALLATION AND OPERATION INSTRUCTIONS PROVIDED WITH THE SLIDERAIL SYSTEM.

- Installation of the sliderail system should locate the pump opposite the influent opening, preventing stagnate areas where solids can settle.
- The pit floor **MUST** be flat under the sliderail base and have sufficient loading capacity to support the entire weight of the assembly, including the sliderail base, sliderail guide, pump and all assorted piping.

### Piping

- Discharge piping should be no smaller than 2" (51 mm) diameter and kept as short as possible, avoiding unnecessary fittings to minimize friction losses.
- Install an adequately sized check valve (suitable for handling 3/4" (19 mm) solids for effluent applications and 2" (50 mm) solids for sewage applications) in the discharge pipe to prevent backflow. Follow the check valve manufacturer's installation instructions.
- Install an adequately sized gate valve **ABOVE** the check valve for pump, plumbing and check valve maintenance.
- To deter air locking, drill a 3/16" (4.8 mm) hole, 2" (50.8 mm) beyond the pump discharge connection.
- All piping must be adequately supported, so as not to impart any piping strain or loads on the pump.

## Access Doors

- Access doors can be single or double leaf design. Doors should include a lifting handle and a lock provision for tamper resistant operation. Standard and heavy duty steel or aluminum doors are available.
- The pit access door must be of sufficient size to allow for inspection, maintenance and crane or hoist service.

## Liquid Level Controls

- Single float operation can be used on 1/3 and 1/2 HP models. Mounting of the float switch must be checked by the installer to insure proper turn on and turn off. The pump may be plugged directly into the piggy back style plug located on the cord of the float switch.
- The recommended float operation sequence used with a control panel requires a three or four float system. In the three float system, the floats are designated SW-1 for the bottom float, SW-2 for the middle float and SW-3 for the top float. In a four float system the fourth float is designated SW-4.
  - Simplex Control – The rising liquid level raises float SW-2, turning on the pump. When the liquid level falls sufficiently, SW-1 will turn the pump off. If the influent is excessive, or if the pump fails to operate correctly, SW-3 will activate an alarm, which will remain on until manually reset.
  - Duplex Control – The duplex control will alternate the two pumps, causing the lead pump to change at each system cycle. When equipped with three floats, the system will cycle the same as the simplex control, described above, except that the SW-1 will cause the lead pump to alternate.
  - If the influent is excessive, or if the lead pump fails to operate correctly, the rising level will activate SW-3, turning on the lag pump and the alarm. As before the alarm must be manually reset.
  - Four Float Control – The four float system operates the same as the duplex control system, except that float SW-3 will not turn on the alarm. In this system SW-4 turns on the alarm, which again must be manually reset.
- Several different float controls are available from the Goulds Catalog.

**NOTICE: POSITION THE FLOATS SO THAT THEY DO NOT SNAG OR TANGLE ON THE PUMP, DISCHARGE PIPING, OR OTHER EQUIPMENT.**

- The lower most float turns the unit off and should be set as shown in the “**TYPICAL PLUMBING and INSTALLATION**” drawing provided in this manual.
- Increasing the distance between the SW-1 and SW-2 floats lengthens the running time. One (1) minute is the minimum recommended pump cycle time.

**NOTICE: DURING PUMP OPERATION, INSURE THAT THE LIQUID LEVEL DOES NOT DROP BELOW THE PUMP MOTOR FOR EXTENDED PERIODS. THIS CAN CAUSE THE PUMP MOTOR TO OVERHEAT, CAUSING MOTOR DAMAGE AND VOIDING THE WARRANTY.**

## Pump Motor Control Panels

- Control panels shall be in accordance with local and National Electrical Code requirements.
- Single phase installations shall be equipped with a Goulds’ “SES” or “A” Series panel, or **AS A MINIMUM**, a control panel with a properly sized magnetic contactor and a disconnect switch.
- Three phase installations shall be equipped with a Goulds’ “SES” or “A” Series panel, or **AS A MINIMUM** with a 3 pole circuit breaker, an across the line magnetic starter NEMA rated for the appropriate horsepower, ambient compensated Quick Trip Class 10 overload relays.

## Wiring and Grounding

- Use only stranded copper wire to motor and ground. The ground wire must be at least as large as the wires to the motor. Wires should be color coded for ease of maintenance.



Install, ground and wire according to local and National Electrical Code requirements.



Install an all leg disconnect switch near the pump.



Disconnect and lockout electrical power before installing or servicing pump.



Electrical supply **MUST** match pump’s nameplate specifications. Incorrect voltage can cause fire, damage motor and voids warranty.



Single phase motors are equipped with automatic thermal protectors which open the motor’s electrical circuit when an overload exists. This can cause the pump to start unexpectedly and without warning.



Some models are equipped with a 3-prong grounded plug and **MUST** be used in a grounded 3-wire receptacle. **DO NOT** modify the plug or remove the ground prong.

- Where cables must be spliced or connected to the motor leads, splices **MUST** be water tight. Commercially available potting or heat shrink kits may be used, if allowed by local or federal regulations.

**NOTICE: FOLLOW THE SPLICE KIT MANUFACTURER'S INSTRUCTIONS.**

- Where wire splices are used, follow one of these procedures:
  - Butt join the wires using properly sized and correctly crimped Sta-Kon™, or equivalent, connectors. Insulate and water proof each joint using heat shrink tubing equipped with a self contained sealer. Apply heat evenly from a torch until adequately sealed.

**OR**

- Use plastic insulators and a neoprene gasket sleeve set with properly sized and correctly crimped Sta-Kon™ connectors. Place a cap and gasket on each wire end, center insulator body over splice, insert the sleeve into the body as far as possible, hand tighten caps.
- In the case of multiple conductors, stagger the joints.



**FAILURE TO PERMANENTLY GROUND THE PUMP, MOTOR AND CONTROLS BEFORE CONNECTING TO ELECTRICAL POWER CAN CAUSE SHOCK, BURNS OR DEATH.**

**Operation**

- If the unit has been stored for an extended period, check the oil level in the motor and seal chamber, to insure that they are full, using the following procedures:
  - Motor Cover – With the pump in the upright position, remove the oil fill plug (358E), being careful that nothing enters the motor. The oil level should be above the top of the motor. With the correct oil fill as required. **DO NOT** over fill.
  - Cable Gland Assemblies – Re-torque both the power and sensor cable glands to values given in step 10 of “POWER CABLE REPLACEMENT”.
- Before lowering the pump(s) into the containment area, three phase units should be jogged to insure correct rotation. See the motor rotation arrow on the motor cover (341). Check both pumps in a duplex operation.

**NOTICE: MOTOR STARTUP TORQUE, “KICKBACK”, WILL CAUSE THE MOTOR TO TWIST IN THE DIRECTION OPPOSITE ROTATION. INSURE THAT THE PUMP ASSEMBLY IS ADEQUATELY RESTRAINED.**



**DO NOT PLACE HANDS IN PUMP SUCTION WHILE CHECKING MOTOR ROTATION. TO DO SO WILL CAUSE SEVERE PERSONAL INJURY.**

**NOTICE: DO NOT SWITCH PRIMARY POWER LEADS COMING INTO A THREE PHASE DUPLEX CONTROL PANEL, THIS WILL REVERSE ROTATION OF BOTH PUMPS.**

- If the three phase motor(s) rotation is backwards, reverse any two pump power cable leads at the pump control panel.



**MOTOR OVERHEAT/OVER CURRENT SENSING DEVICES AUTOMATICALLY RESTART THE MOTOR UNEXPECTEDLY AND WITHOUT WARNING. THIS CAN CAUSE SEVERE PERSONAL INJURY.**

- After installing the pump into the containment area, with adequate submergence, open the discharge valve fully. Start the unit using manual controls. If flow is appreciably less than rated performance, pump may be air bound. To expel trapped air, jog the unit several times, using the manual controls.
- Have a qualified electrician take current measurements on the single or all three phases. Record these readings in the space provided in the “OWNER’S INFORMATION” section of this manual for future reference.
- The unit is now ready for normal operation. Place the controls in the automatic position.

**Maintenance**



**FAILURE TO DISCONNECT AND LOCKOUT ELECTRICAL POWER BEFORE ATTEMPTING ANY MAINTENANCE CAN CAUSE SHOCK, BURNS OR DEATH.**



**UNIT MUST BE FLUSHED AND DISINFECTED, INSIDE AND OUT, PRIOR TO SERVICING.**

**Periodic Maintenance**

**NOTICE: ROUTINE PERIODIC INSPECTIONS ARE REQUIRED AND SHOULD FOLLOW THE FREQUENCY AND MAINTENANCE SCHEDULE PROVIDED.**

<b>FREQUENCY</b>	<b>REQUIRED MAINTENANCE</b>
MONTHLY	<ul style="list-style-type: none"> <li>• Duplex Units – Check for even operating times. Uneven operation times indicate a defective unit, float switch or control.</li> <li>• Unimpeded float operation.</li> </ul>

## Disassembly/Assembly

### ⚠ WARNING

Hazardous voltage

**FAILURE TO DISCONNECT AND LOCKOUT ELECTRICAL POWER BEFORE ATTEMPTING ANY MAINTENANCE CAN CAUSE SHOCK, BURNS OR DEATH.**

**NOTICE:** FOLLOW ALL SAFETY AND LIFTING INSTRUCTIONS PROVIDED IN THIS MANUAL.

- Following the slide rail instructions, remove the pumping unit from the sewage containment area.

### ⚠ WARNING



Biohazard can cause serious personal injury.

**UNIT MUST BE FLUSHED AND DISINFECTED, INSIDE AND OUT, PRIOR TO SERVICING.**

## MECHANICAL SEAL REPLACEMENT

1. Follow **ALL** instructions provided in the “**DISASSEMBLY**” section of this manual.
2. To gain access to the pump impeller and mechanical seal remove the four casing hex cap screws (372D). Remove casing (100) and casing gasket (351); discard the gasket.

### ⚠ CAUTION



Hazardous pressure can cause personal injury or property damage.

**FAILURE TO REMOVE DRAIN PLUG CAREFULLY CAN CAUSE HOT OIL TO ERUPT FROM OIL RESERVOIR CAUSING PERSONAL INJURY OR PROPERTY DAMAGE**

3. Removal of the mechanical seal assembly (387) requires draining the special insulating oil from the motor cover. This is accomplished by removing the drain plug and draining the oil into an adequately sized clean receptacle. See “**ENGINEERING DATA**” section for required volume.
4. To remove the impeller (101), it may be necessary to heat the impeller and impeller locknut (304), three phase motors only, with a torch. Use no more heat that is necessary, as excess heat will damage the mechanical seal. Secure the impeller from rotation, and remove the impeller lock nut, by turning the lock nut **COUNTERCLOCKWISE**. Remove the impeller from the motor shaft by holding the motor shaft with a screw driver and turning the impeller **COUNTERCLOCKWISE**.

5. Remove and discard the mechanical seal and stationary seat assembly. **DO NOT** damage the motor shaft or the stationary seat bore.
6. Inspect and wipe clean the stationary seat bore.
7. To install the new stationary seat into the seal housing, lubricate the stationary seat bore and motor shaft with clean motor insulating oil. Using Goulds mechanical seal installation tool (A02A013), slide the stationary seat fully and squarely into the seal housing.
8. With a clean, lint free cloth, wipe the stationary face clean of all lubricating oil or debris. **DO NOT** scratch or otherwise damage the seal face.
9. Lubricate the inside of the rotary elastomer with clean motor insulating oil. Using the Goulds installation tool, slide the seal rotary assembly onto the motor shaft and seat fully against the stationary seat. Remove the seal installation tool.
10. Install the impeller onto the motor shaft by turning the impeller on **CLOCKWISE**, tighten securely. Treat the impeller with Loctite™ #271 and securely install. When provided, securely install the impeller locknut.
11. Fill the motor cover with motor special insulating oil to within ½" (13 mm) of the seal chamber housing. Tape drain plug with Teflon™ tape and install plug securely.
12. Reassemble casing and new casing gasket to pump assembly by installing the four casing hex cap screws, torquing in sequence to 35 lbs ft (47 N m).

**NOTICE:** FOLLOW THE INSTRUCTIONS PROVIDED IN THE “**WIRING AND GROUNDING**” AND “**OPERATION**” SECTIONS OF THE MANUAL AFTER UNIT DISASSEMBLY, REASSEMBLY.

## POWER CABLE REPLACEMENT

1. To gain access to the motor cover screws follow steps 1 through 6 in the “**MECHANICAL SEAL REPLACEMENT**” section of this manual.
2. Remove the power cable strain relief (484B) assembly from the motor cover and slide up the cable.
3. Remove the four bearing housing socket head screws (371C). Carefully slide the motor cover from the motor assembly. **DO NOT** damage the power cable.
4. Disconnect the power cable wires from the motor assembly (338).
5. Remove cable from motor cover, inspect and replace as required, following the procedures provided.

**NOTICE:** DISCARD STRAIN RELIEF ASSEMBLY. THEY CAN NOT BE REUSED.

6. Install new motor cable strain relief assembly onto cable, sliding the hex gland on first, then the washer and finally the packing. Insert the cables into the motor cover hole. Pull an appropriate amount of cable through the motor cover to allow for connecting the cable leads. **DO NOT** tighten the strain relief gland.

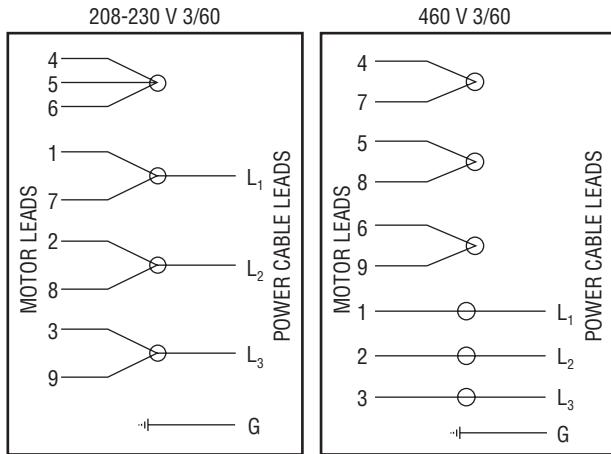


7. Connect the power cable leads to the motor assembly as follows:

- Single Phase Motors – Connect the **BLACK** wire to motor terminal L<sub>1</sub>. Connect the **WHITE** wire to motor terminal L<sub>2</sub>. Connect the **GREEN** wire to the motor ground.
- Three Phase Motors – See Figure 1.

**WARNING**  
Hazardous voltage

**FAILURE TO CONNECT POWER AND SENSOR WIRES TO DESIGNATED WIRES CAN CAUSE SHOCK, BURNS OR DEATH.**



THREE PHASE MOTOR WIRING DIAGRAM

Figure 1

- Wire tie the power cable to the motor assembly.
- Slide the motor cover onto the motor assembly, while carefully pulling the power cable out through the motor cover hole. **DO NOT** damage cables. Install the four seal housing socket head screws, torquing to 90 lbs in (10 N m).
- Install the power cable strain relief assembly torquing the nylon bushing to 75 lbs in (8.5 N m) and the steel bushing to 100 lbs in (11.3 N m).
- Continue the assembly following steps 7 through 12 of the **“MECHANICAL SEAL REPLACEMENT”** section of this manual.
- If the motor cover was replaced, it is necessary to transfer the Goulds nameplate. Using two stainless steel No. 2 round head metallic drive screws, install the Goulds nameplate.

**NOTICE:** FOLLOW THE INSTRUCTIONS PROVIDED IN THE **“WIRING AND GROUNDING”** AND **“OPERATION”** SECTIONS OF THE MANUAL AFTER UNIT DISASSEMBLY, REASSEMBLY.

## START CAPACITOR REPLACEMENT

- On single phase motors only, to gain access to the motor start capacitor (376), follow steps 1 through 5 in the **“POWER CABLE REPLACEMENT”** section of this manual.

**NOTICE:** DISCARD STRAIN RELIEF ASSEMBLY. IT CAN NOT BE REUSED.

**WARNING**  
Hazardous voltage

**FAILURE TO DRAIN CAPACITOR OF STORED ELECTRICAL CHARGE BEFORE SERVICE CAN CAUSE A SEVERE SHOCK.**

- Remove the capacitor retaining screw and retaining bracket from the motor assembly. Remove the two wires from the capacitor. Discard the capacitor.
- Connect the two motor wires to the new capacitor and reassemble with the retaining bracket and retaining screw, tightening securely.
- Reassemble unit following steps 6 through 12 in the **“POWER CABLE REPLACEMENT”** section of this manual.

**NOTICE:** FOLLOW THE INSTRUCTIONS PROVIDED IN THE **“WIRING AND GROUNDING”** AND **“OPERATION”** SECTIONS OF THE MANUAL AFTER UNIT DISASSEMBLY, REASSEMBLY.

## MOTOR REPLACEMENT

- To gain access to the motor assembly, follow steps 1 through 5 in the **“POWER CABLE REPLACEMENT”** section of this manual.

**NOTICE:** DISCARD STRAIN RELIEF ASSEMBLY. IT CAN NOT BE REUSED.

- Remove the four motor thru bolts and carefully pull motor assembly from bearing housing. Further motor service **MUST** be provided by a qualified motor repair facility.
- Insert the motor assembly into the bearing housing, visually aligning the motor thru bolts through the lower motor vent openings.
- Install the four motor thru bolts, torquing to 35 lbs in (4 N m).
- To complete the assembly follow steps 6 through 12 in the **“POWER CABLE REPLACEMENT”** section of this manual.

**NOTICE:** FOLLOW THE INSTRUCTIONS PROVIDED IN THE **“WIRING AND GROUNDING”** AND **“OPERATION”** SECTIONS OF THE MANUAL AFTER UNIT DISASSEMBLY, REASSEMBLY.

## Engineering Data

Maximum Diameter Solids 3885	3/4 in	19 mm	Minimum Pump Submergence – Below Top of Motor Dome	6 in	152 mm
3886 and 3887	2 in	50 mm	Minimum Number of Evenly Distributed Starts per Hour	6	
Minimum Casing Thickness	5/16 in	8 mm	Maximum Operating Temperature		
Casing Corrosion Allowance	1/8 in	3 mm	Continuous Operation	40° C	104° F
Minimum Working Pressure	55 psi	380 kPa	Intermittent Operation	60° C	140° F
			Motor Cover Oil Capacity	4.5 qts.	4.3 L

### ELECTRICAL DATA 3885

HP	RPM	Voltage	Phase /Hz	Amps	KVA Code	Winding Resistance Line to Line (Ohms)	Power Cable AWG	Fuse/Circuit Breaker Amps
1/3	1725	115	1/60	9.4	M	1.92	16/3	15
1/3	1725	230	1/60	4.7	N	7.58	16/3	10
1/2	3450	115	1/60	14.5	M	1.00	16/3	20
1/2	3450	230	1/60	7.3	M	4.03	16/3	10
1/2	3450	200	3/60	3.9	R	3.8	14/4	10
1/2	3450	230/460	3/60	3.4/1.7	R	5.81/23.24	14/4	10/10
3/4	3450	230	1/60	10.0	J	2.99	14/3	15
3/4	3450	200	3/60	6.2	L	5.7	14/4	10
3/4	3450	230/460	3/60	5.4/2.7	L	4.04/16.15	14/4	10/10
1	3450	230	1/60	12.5	J	2.09	14/3	20
1	3450	200	3/60	8.1	M	2.6	14/4	10
1	3450	230/460	3/60	7.0/3.5	L	4.04/16.15	14/4	10/10
1 1/2	3450	230	1/60	15.0	H	1.16	14/3	20
1 1/2	3450	200	3/60	10.6	K	1.9	14/4	15
1 1/2	3450	230/460	3/60	9.2/4.6	K	2.87/11.46	14/4	15/10
2	3450	230	1/60	18.0	F	M-1.1/S-2.2	14/3	20
2	3450	200-230/460	3/60	12.0-11.6/5.8	K	1.66/6.62	14/4	15/10

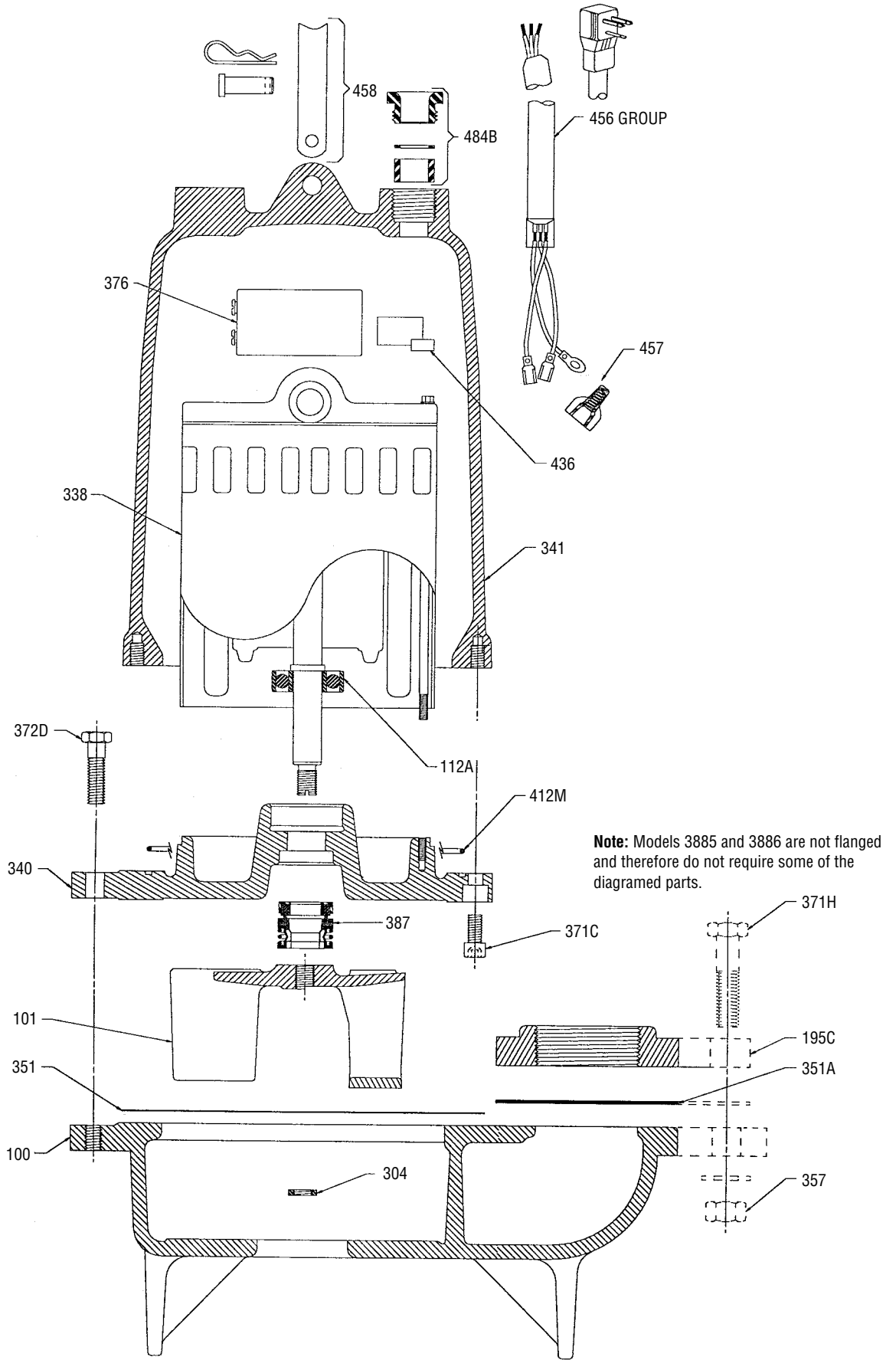
### ELECTRICAL DATA 3886 AND 3887BF

1/3	1725	115	1/60	9.8	M	1.92	16/3	15
1/3	1725	230	1/60	4.9	N	7.58	16/3	10
1/2	1725	115	1/60	14.5	N	1.6	16/3	20
1/2	1725	230	1/60	7.3	K	6.4	16/3	10
1/2	1725	200	3/60	3.8	K	6.55	14/4	10
1/2	1725	230/460	3/60	3.3/1.7	K	9.9/39.4	14/4	10/10
3/4	1725	230	1/60	9.4	J	5.9	14/3	15
3/4	1725	200	3/60	4.1	H	4.3	14/4	10
3/4	1725	230/460	3/60	3.6/1.8	J	5.6/22.4	14/4	10/10
1	1725	230	1/60	12.3	H	2.6	14/3	20
1	1725	200	3/60	6.0	H	4.3	14/4	10
1	1725	230/460	3/60	5.8/2.9	J	5.6/22.4	14/4	10/10

### ELECTRICAL DATA 3887BHF

1/3	1725	115	1/60	12.4	M	1.00	16/3	15
1/3	1725	230	1/60	6.2	M	4.03	16/3	10
1/2	3450	115	1/60	14.5	M	1.00	16/3	20
1/2	3450	230	1/60	7.6	M	4.03	16/3	10
1/2	3450	200	3/60	4.1	R	3.8	14/4	10
1/2	3450	230/460	3/60	3.6/1.8	R	5.81/23.24	14/4	10/10
3/4	3450	230	1/60	9.4	J	2.99	14/3	15
3/4	3450	200	3/60	6.2	L	5.7	14/4	10
3/4	3450	230/460	3/60	5.4/2.7	L	4.04/16.15	14/4	10/10
1	3450	230	1/60	14.5	J	2.1	14/3	20
1	3450	200	3/60	8.6	M	2.6	14/4	10
1	3450	230/460	3/60	7.5/3.8	L	4.0/16.2	14/4	10/10
1 1/2	3450	230	1/60	18.0	F	M-1.1/S-2.2	14/3	20
1 1/2	3450	200-230/460	3/60	10.0-9.6/4.8	K	1.66/6.62	14/4	15/10
2	3450	230	1/60	18.0	F	M-1.1/S-2.2	14/3	20
2	3450	200-230/460	3/60	12.0-11.6/5.8	K	1.66/6.62	14/4	15/10

**Repair Parts Diagram for Models 3885, 3886 and 3887**





## Model 3885 Repair Parts Table

Item No.	Part Name	Material	Qty. Reqd.	Repair Parts Order Number						Max. Wt. (lbs.)
				1725 RPM		3450 RPM				
				1/3 HP	1/2 HP	3/4 HP	1 HP	1 1/2 HP	2 HP	
100	Casing – 1/3 HP "L" model only	Cast Iron	1	1K171	N/A					13.0
	Casing – all others			1K170						
101	Impeller	Cast Iron	1	2K158	2K220	2K219	2K218	2K217	2K840	2.0
	Impeller	Bronze		2K271	2K272	2K273	2K274	2K275	2K841	2.5
	Impeller – high head	Cast Iron		N/A	2K225 HH	N/A	N/A	2K221HH	N/A	3.5
	Impeller – high head	Bronze		N/A	2K276 HH	N/A	N/A	2K277 HH	N/A	4.0
112A	Lower Ball Bearing	Steel	1	4K132					4K384	–
112B	Upper Ball Bearing	Steel	1	4K132						–
218	Insulating Oil (gallon) Gallons required	Turbine Oil – Sunvis 932, Convis 150		4K432 (5 gallons)						7.5 lbs./ gal.
				1.2 gallons						
304	Impeller Locknut (3 PH only)	AISI 300 series SS	1	13K6						–
338	Motor	Stainless Steel Short Ext.	1	118-121R	118-1222R	N/A	N/A	N/A	N/A	13.0 to 24.0
				118-122R	118-1223R	118-1232R	118-1233R	118-1334R	120-845R	
				N/A	118-1321R	118-1322R	118-1323R	118-1324R	120-8425R	
				N/A	118-1333R	118-1334R	118-1335R	118-1336R	120-8425R	
340	Bearing Housing	Cast Iron	1	1K167					1K332	10.0
341	Motor Cover	Cast Iron	1	1K207	1K207	1K208	1K208	1K208	1K208	23.0
				1K208						
351	Casing Gasket	Composite	1	5K170						–
358E	Plug – motor cover 3/8" NPT	Steel	1	6K3						–
371C	Skt. Hd. Screw – brg. housing to motor cover	AISI 300 series SS	2	13K210						–
372D	Hex Screw – seal housing to casing	AISI 300 series SS	4	13K186						–
376	Capacitor (1 PH only)	Varies	1	1K197	9K197	9K197	9K197	9K197	275470130	–
				N/A	N/A	N/A	N/A	N/A	279342110	
387	Mechanical Seal – standard	Silicon Carbide	1	10K63 (John Crane Type 6)					10K71	–
	Mechanical Seal – optional	Tungsten Carbide	1	10K30 (John Crane Type 21)					10K72	–
412M	O-ring – motor cover	BUNA-N, AS 568A-166	1	4K252						–
436	Solid State Switch			N/A					294811980	
456	Power cable		1	See chart below						–
457	Wire nut	Nylon Housing	4	9K145						–
	(power cable)		6	9K145						–
458	Handle Assembly	AISI 300 series SS	1	4K243						–
484B	Strain Relief Assembly (power cable)	Varies	1	5K113	5K113	5K111	5K111	5K111	5K111	–
			1	N/A	5K111					–
	Loctite #271		1	AL271121						–

Model 3885 Power and Sensor Cables Description	Type and AWG Size	Standard length*	Optional Lengths			Wt. (lbs./5 ft.)
		20'	30'	50'	100'	
<b>Power Cables</b>						
1 PH: 1/3 and 1/2 HP, 115 V; standard with plug, optional with bare leads	SJTOW – 16/3	9K165	9K214	9K215	N/A	0.5
1 PH: 1/3 and 1/2 HP, 230 V; standard with plug, optional with bare leads	SJTOW – 16/3	9K164	9K214	9K215	N/A	0.5
1 PH: 3/4 – 1 1/2 HP, 230 V with bare leads	STOW – 14/3	9K163	9K216	9K161	9K217	0.9
1 PH: 1 1/2 – 2 HP, 230 V with bare leads	STOW – 14/3	9K266	9K267	9K268	9K269	0.9
3 PH: 1/2 – 2 HP, 208–230/460 V with bare leads	STOW – 14/4	9K153	9K218	9K154	9K219	1.1

## Model 3886 and 3887 Repair Parts Table

**Note:** The 1K168 is the casing for the 3886 ½ HP. The 1K178 is the casing for the 3887 ½ – 1 HP.

Item No.	Part Name	Material	Qty.	Repair Parts Order Number							Max. Wt. (lbs.)
				1725 RPM				3450 RPM			
				⅓ HP	½ HP	¾ HP	1 HP	1 HP	1½ HP	2 HP	
100	Casing	Cast Iron	1	1K168 for NPT 3886			1K178 for flanged 3887		1K330		16.5
101	Impeller	Cast Iron	1	2K268	2K239	2K240	2K241	2K242	2K800	2K798	3.0
	Impeller	Bronze	1	2K279	2K280	2K281	2K282	2K283	2K801	2K799	3.5
112A	Lower Ball Bearing	Steel	1	4K132					4K384		–
112B	Upper Ball Bearing (Not Shown)	Steel	1	4K132							–
195C	Discharge Flange (2" NPT STD.)	Cast Iron	1	6K76							1.5
	Discharge Flange (3" NPT OPT.)	Cast Iron	1	A1-3							1.5
218	Motor Insulating Oil (Approx. 1 Gallon Required)	Turbine Oil	1	4K432							7.5 lbs./gal.
304	Impeller Locknut (3 PH only)	AISI 300 series SS	1	13K6							–
338	Motor – 1 Phase, 115V	Stainless Steel	1	118-121R	118-123R	N/A	N/A	N/A	N/A	N/A	13.0 to 24.0
	Motor – 1 Phase, 230V			118-122R	118-124R	118-1212R	118-1213R	118-1233R	120-844R	120-845R	
	Motor – 3 Phase, 230/460 V			N/A	118-132R	118-1304R	118-134R	118-1323R	N/A	N/A	
	Motor – 3 Phase, 200 V			N/A	118-1314R	118-1316R	118-1316R	118-1335R	N/A	N/A	
	Motor – 3 Phase, 200-230/460 V			N/A	N/A	N/A	N/A	N/A	120-8425R	120-8425R	
340	Bearing Housing	Cast Iron	1	1K167					1K332		10.0
341	Motor Cover – 1 Phase	Cast Iron	1	1K207	1K207	1K208	1K208	1K208	1K208	1K208	20.0
	Motor Cover – 3 Phase			1K208							
351	Casing Gasket	Composite	1	5K170							–
351A	Discharge Flange Gasket	Composite	1	5K150							–
357	Hex Nut – discharge flange	AISI 300 series SS	2	13K99							–
358E	Plug – motor cover ⅜" NPT	Steel	1	6K3							–
371C	Skt. Hd. Screw – brg. housing to motor cover	AISI 300 series SS	4	13K210							–
371H	Hex Screw – discharge flange	AISI 300 series SS	2	13K153							–
372D	Hex Screw – bearing housing to casing	AISI 300 series SS	4	13K186							–
376	Capacitor (1 PH only) Start	Varies	1	9K197	9K197	9K235	9K235	9K197	275469128	275470130	–
	Capacitor (1 PH only) Run			N/A	N/A	N/A	N/A	N/A	N/A	279342110	
387	Mechanical Seal – standard	Silicon Carbide	1	10K63 (John Crane Type 6)					10K71		–
	Mechanical Seal – optional	Tungsten Carbide	1	10K30 (John Crane Type 21)					10K72		–
412M	O-ring – motor cover	Nitrile	1	4K252							–
436	Solid State Switch (motor)	–	1	N/A					294612982	294811980	–
456	Power Cable	–	1	See chart below							–
457	Wire Nut 3 PH, 200/230 V	Nylon Housing	4	9K145							–
	Wire Nut 3 PH, 460 V		6	9K145							–
458	Handle Assembly	AISI 300 series SS	1	4K243							–
484B	Strain Relief Assembly (power cable)	Varies	1 PH	5K113	5K113	5K111	5K111	5K111	5K111	5K111	–
			3 PH	N/A							5K111
528	Washer – discharge flange	AISI 300 series SS	2	13K82							–
	Loctite #271	–	1	AL27121							–

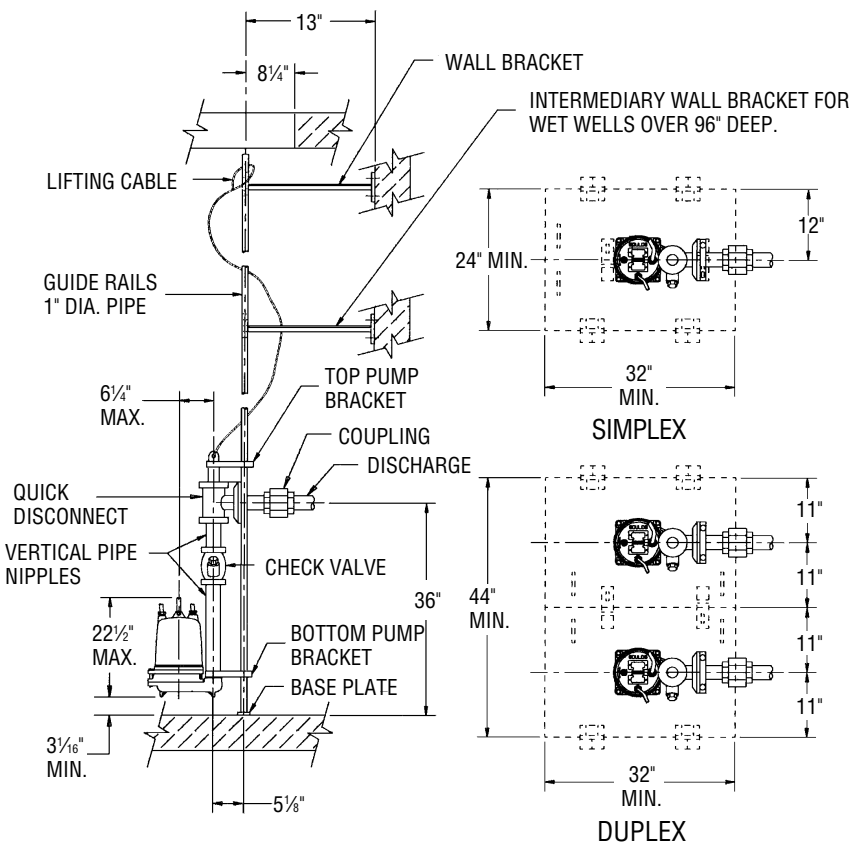
\* Consult Factory

Model 3887 Power Cables Description	Type and AWG Size	Standard length*	Optional Lengths				Wt. (lbs./5 ft.)
		20'	30'	50'	100'		
<b>Power Cables</b>							
1 PH: ⅓ and ½ HP, 115 V; standard with plug, optional length with bare leads	SJTOW – 16/3	9K165	9K214	9K215	N/A	0.5	
1 PH: ⅓ and ½ HP, 230 V; standard with plug, optional length with bare leads	SJTOW – 16/3	9K164	9K214	9K215	N/A	0.5	
1 PH: ¾ – 1HP, 230 V with bare leads	STOW – 14/3	9K163	9K216	9K161	9K217	0.9	
1 PH: 1½ – 2 HP, 230 V with bare leads	STOW – 14/3	9K266	9K267	9K268	9K269	0.9	
3 PH: ½ – 2 HP, 208–230/460 V with bare leads	STOW – 14/4	9K153	9K218	9K154	9K219	1.1	

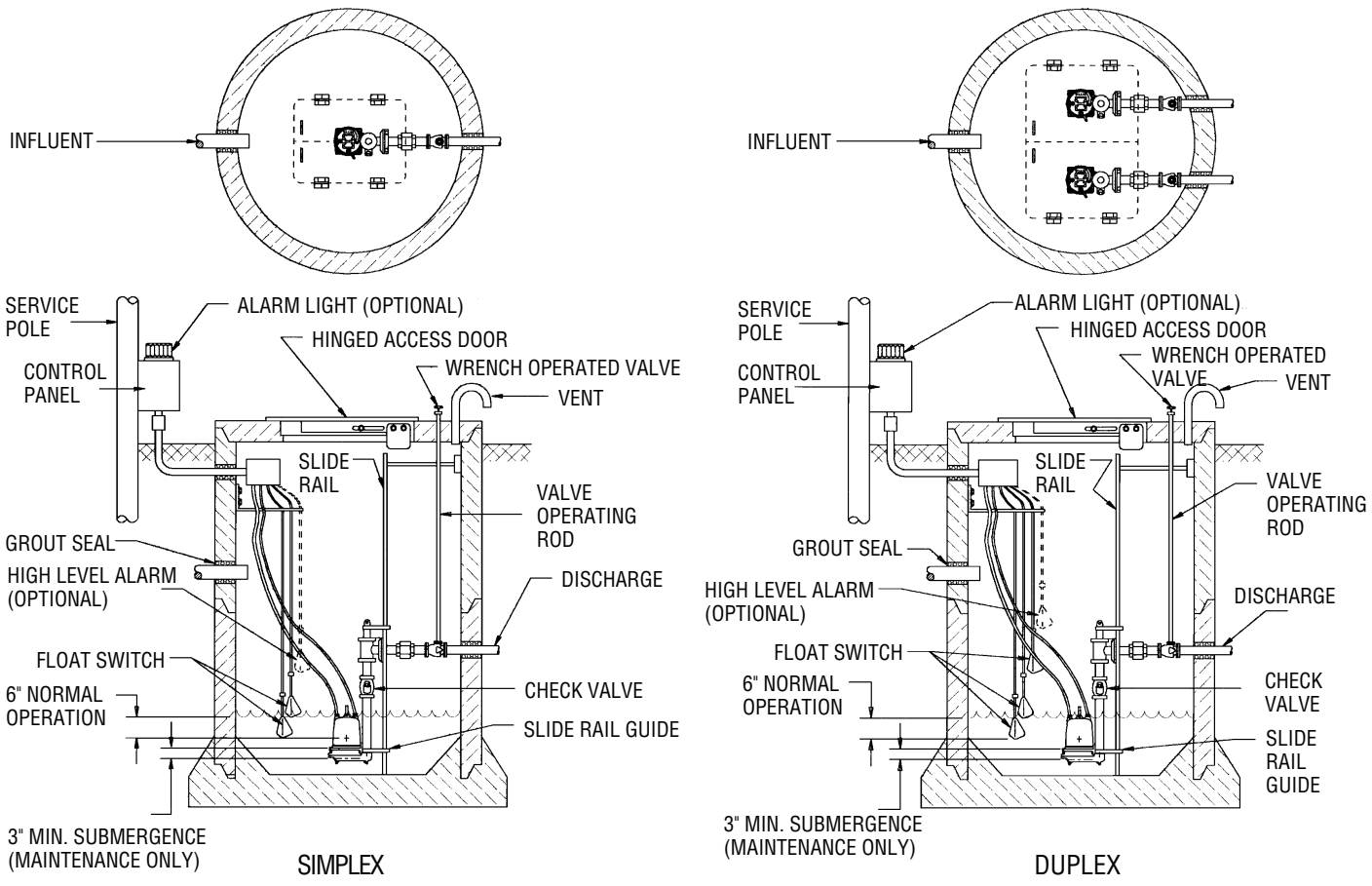
9K197 REF#615996 1 or 624751 1 MFD 110 VAC

9K235 REF#615996 2 189/227 MFD 110 VAC

# Typical 2" Slide Rail Installation



# Typical Plumbing and Installation



## Trouble Shooting

**⚠WARNING**  
Hazardous  
voltage

**FAILURE TO DISCONNECT AND LOCKOUT ELECTRICAL POWER BEFORE ATTEMPTING ANY SERVICE CAN CAUSE SHOCK, BURNS OR DEATH.**

SYMPTOM	PROBABLE CAUSE	RECOMMENDED ACTION
MOTOR NOT RUNNING	Motor thermal protector tripped.	Allow motor to cool. Insure minimum pump submergence. Clear debris from casing and impeller.
<b>NOTE:</b> If circuit breaker “OPENS” repeatedly, <b>DO NOT</b> reset. Call qualified electrician.	Open circuit breaker or blown fuse.	Determine cause, call a qualified electrician.
	Pump impeller binding or jammed.	Check motor amp draw. If two or more times higher than listed in the “ <b>DESCRIPTION AND SPECIFICATIONS</b> ” section, impeller is locked, motor bearings or shaft is damaged. Clear debris from casing and impeller, consult with dealer.
a) Manual operation	Power cable is damaged.	Resistance between power leads must read as shown in “ <b>ENGINEERING DATA</b> ”. Resistance between power leads and ground should read infinity. If any reading is incorrect, call a qualified electrician.
b) Automatic operation in control panel.	Inadequate electrical connection	Inspect control panel wiring. Call a qualified electrician.
<b>NOTE:</b> Check the pump in manual mode first to confirm operation. If pump operates, the automatic controls are at fault. If pump does not operate, see above.	Defective liquid level switch.	With switch disconnected, check continuity while activating liquid level switch. Replace switch, as required.
	Insufficient liquid level to activate controls.	Allow liquid level to rise 3” to 4” (76 mm - 101 mm) above turn-on level.
	Liquid level cords tangled.	Untangle cords and insure free operation.
PUMP WILL NOT TURN OFF	Liquid level cords tangled.	Untangle cords and insure free operation.
	Pump is air locked.	Shut off pump for approximately one minute, then restart. Repeat until air lock clears. If air locking persists in a system with a check valve pipe, a 0.188” (5 mm) hole may be drilled in the discharge pipe approximately 2” (51 mm) beyond the discharge connection.
LITTLE OR NO LIQUID DELIVERED BY PUMP	Influent flow is matching pump's discharge capacity.	Larger pump may be required.
	Check valve installed backwards, plugged or stuck closed.	Check flow arrow on valve and check valve operation.
	Excessive system head.	Consult with dealer.
	Pump inlet plugged.	Inspect and clear as required.
	Improper voltage or wired incorrectly.	Check pump rotation, voltage and wiring. Consult with qualified electrician.
	Pump is air locked.	See recommended action, above.
PUMP CYCLES CONSTANTLY	Impeller is worn or damaged.	Inspect impeller, replace as required.
	Liquid level controls defective or improperly positioned.	Inspect, readjust or replace as required.
	Discharge check valve inoperative.	Inspect, repair or replace as required.
	Sewage containment area too small.	Consult with dealer.
	Liquid level controls defective or improperly positioned.	Inspect, readjust or replace as required.
	Influent excessive for this size pump.	Consult with dealer.

### GOULDS PUMPS LIMITED WARRANTY

This warranty applies to all water systems pumps manufactured by Goulds Pumps.

Any part or parts found to be defective within the warranty period shall be replaced at no charge to the dealer during the warranty period. The warranty period shall exist for a period of twelve (12) months from date of installation or eighteen (18) months from date of manufacture, whichever period is shorter.

A dealer who believes that a warranty claim exists must contact the authorized Goulds Pumps distributor from whom the pump was purchased and furnish complete details regarding the claim. The distributor is authorized to adjust any warranty claims utilizing the Goulds Pumps Customer Service Department.

**The warranty excludes:**

- (a) Labor, transportation and related costs incurred by the dealer;
- (b) Reinstallation costs of repaired equipment;
- (c) Reinstallation costs of replacement equipment;
- (d) Consequential damages of any kind; and,
- (e) Reimbursement for loss caused by interruption of service.

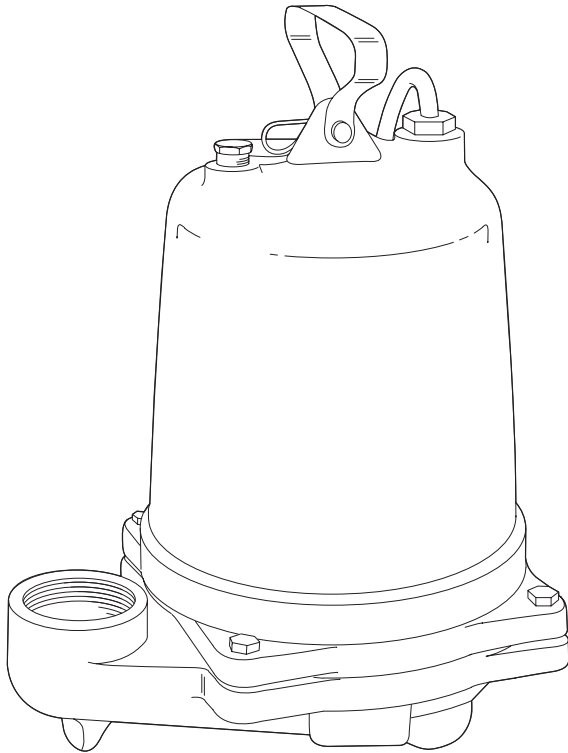
**For purposes of this warranty, the following terms have these definitions:**

- (1) “Distributor” means any individual, partnership, corporation, association, or other legal relationship that stands between Goulds Pumps and the dealer in purchases, consignments or contracts for sale of the subject pumps.
- (2) “Dealer” means any individual, partnership, corporation, association, or other legal relationship which engages in the business of selling or leasing pumps to customers.
- (3) “Customer” means any entity who buys or leases the subject pumps from a dealer. The “customer” may mean an individual, partnership, corporation, limited liability company, association or other legal entity which may engage in any type of business.

**THIS WARRANTY EXTENDS TO THE DEALER ONLY.**

# Instrucciones de instalación, operación y mantenimiento

# Modelos 3885, 3886, 3887



## Información del propietario

Número de Modelo: \_\_\_\_\_

Número de Serie: \_\_\_\_\_

Agente: \_\_\_\_\_

No. telefónico del agente \_\_\_\_\_

Fecha de compra: \_\_\_\_\_ Instalación: \_\_\_\_\_

Lecturas actuales en la puesta en marcha:

Monofásica: \_\_\_\_\_

Trifásica - primera fase: \_\_\_\_\_

Segunda fase: \_\_\_\_\_ Tercera fase: \_\_\_\_\_

## Índice

TÓPICO	PÁGINA
Instrucciones de seguridad .....	14
Descripción y especificaciones .....	14
Levantamiento de la bomba .....	14
Sistema de riel corredizo .....	14
Tuberías .....	14
Puertas de acceso .....	15
Controles de nivel de líquido .....	15
Paneles de control de motores de las bombas .....	15
Alambrado y conexión a tierra .....	15
Operación .....	16
Mantenimiento .....	16
Desmontaje/Reensamblaje .....	17
Reemplazo del sello mecánico .....	17
Reemplazo del cable de alimentación .....	17
Reemplazo del condensador de arranque .....	18
Reemplazo del motor .....	18
Datos de ingeniería .....	19
Montaje seccional .....	20
Partes de repuesto y materiales de construcción .....	21, 22
Instalación típica de riel corredizo de 2 pulg. ....	23
Plomería e instalación típica .....	23
Identificación y resolución de problemas .....	24
Garantía limitada de Goulds Pumps .....	24

## INSTRUCCIONES DE SEGURIDAD

**PARA EVITAR LESIONES PERSONALES GRAVES O AÚN FATALES Y SERIOS DAÑOS MATERIALES, LEA Y SIGA TODAS LAS INSTRUCCIONES DE SEGURIDAD EN EL MANUAL Y EN LA BOMBA.**

**ESTE MANUAL HA SIDO CREADO COMO UNA GUÍA PARA LA INSTALACIÓN Y OPERACIÓN DE LA UNIDAD Y SE DEBE CONSERVAR JUNTO A LA BOMBA.**



Este es un **SÍMBOLO DE ALERTA DE SEGURIDAD**. Cuando vea este símbolo en la bomba o en el manual, busque una de las siguientes palabras de señal y esté alerta a las lesiones corporales potenciales o daños a la propiedad.



**PELIGRO** Advierte los peligros que **CAUSARÁN** serias lesiones corporales, la muerte o daños mayores a la propiedad.



**ADVERTENCIA** Advierte los peligros que **PUEDEN** causar serias lesiones corporales, la muerte o daños mayores a la propiedad.

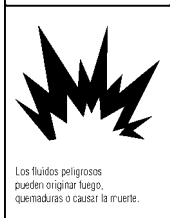


**PRECAUCIÓN** Advierte los peligros que **PUEDEN** causar lesiones corporales o daños a la propiedad.

**AVISO:** INDICA INSTRUCCIONES ESPECIALES QUE SON MUY IMPORTANTES Y QUE SE DEBEN SEGUIR.

**EXAMINE BIEN TODAS LAS INSTRUCCIONES Y ADVERTENCIAS ANTES DE REALIZAR CUALQUIER TRABAJO EN ESTA BOMBA.**

**MANTENGA TODAS LAS CALCOMANÍAS DE SEGURIDAD.**



**ESTA UNIDAD NO ESTÁ DISEÑADA PARA EL USO CON LÍQUIDOS PELIGROSOS O GASES INFLAMABLES. ESTOS FLUIDOS PODRÍAN ESTAR PRESENTES EN LAS ÁREAS DE CONTENCIÓN.**

Los fluidos peligrosos pueden originar fuego, quemaduras o causar la muerte.

**AVISO:** INSPECCIONE LA UNIDAD PARA VER SI TIENE DAÑOS Y AVISE INMEDIATAMENTE TODO DAÑO AL TRANSPORTISTA O AL AGENTE.

## DESCRIPCIÓN Y ESPECIFICACIONES

El Modelo 3885 es una bomba de efluentes sumergible de manejo de sólidos de  $\frac{3}{4}$  de pulgada (19 mm), de descarga de 2 pulgadas NPT. El Modelo 3886 es una bomba de aguas negras sumergible de manejo de sólidos de 2 pulgadas (50 mm). El Modelo 3887 es una bomba de aguas negras sumergible de manejo de sólidos de 2 pulgadas (50 mm), de descarga bridada de 2 pulgadas (estándar) y de 3 pulgadas (opcional).

### Levantamiento de la bomba



**NO LEVANTE NI TRANSPORTE NI CUELQUE LA BOMBA DE LOS CABLES ELÉCTRICOS. EL DAÑO A LOS CABLES ELÉCTRICOS PUEDE CAUSAR CHOQUES, QUEMADURAS O LA MUERTE.**

Los voltajes peligrosos pueden causar secuencias eléctricas, quemaduras u ocasionar la muerte.

- Levante la bomba con una cadena o cable de tamaño adecuado conectado a la manija de levantamiento (458). **NO** dañe los cables eléctricos al levantar o bajar la unidad.

### Sistema de riel corredizo

- Para una instalación apropiada, se recomienda el sistema de riel corredizo Goulds Modelo A10-20 **OPCIONAL**.
- AVISO:** SIGA LAS INSTRUCCIONES DE INSTALACIÓN Y OPERACIÓN SUMINISTRADAS CON EL SISTEMA DE RIEL CORREDIZO.
- La instalación del sistema de riel corredizo debe situar la bomba opuesta al orificio de entrada, evitando las áreas estancadas donde puedan asentarse sólidos.
  - El piso de la fosa **DEBE** ser plano debajo de la base del riel corredizo y tener suficiente capacidad de carga para soportar el peso completo del conjunto, incluyendo la base del riel corredizo, la guía del riel corredizo, la bomba y las diferentes tuberías.

### Tuberías

- La tubería de descarga no debe ser de menos de 2 pulgadas (51 mm) de diámetro y debe mantenerse lo más corta posible, evitando los accesorios innecesarios para reducir al mínimo las pérdidas por fricción.
- Instale una válvula de retención de tamaño adecuado (apropiada para manejar sólidos de  $\frac{3}{4}$  de pulgada (19 mm) para aplicaciones de efluentes y sólidos de 2 pulgadas (50 mm) para aplicaciones de aguas negras) en la tubería de descarga para evitar el contraflujo. Siga las instrucciones de instalación del fabricante de la válvula de retención.
- Instale una válvula de compuerta de tamaño adecuado **SOBRE** la válvula de retención para el mantenimiento de la bomba, la plomería y la válvula de retención.
- Para evitar la obturación por aire, perforo un agujero de  $\frac{3}{16}$  de pulgada (4,8 mm), a 2 pulgadas (50,8 mm) al otro lado de la conexión de descarga de la bomba.
- Todas las tuberías deben apoyarse adecuadamente, de modo de no deformar la tubería y no aplicar cargas sobre la bomba.



## Puertas de acceso

- Las puertas de acceso pueden ser de una o dos hojas. Las puertas deben incluir una manija de levantamiento y un dispositivo de traba para permitir una operación resistente a las manipulaciones indebidas. Se ofrecen puertas de acero o aluminio estándar o reforzado.
- La puerta de acceso a la fosa debe ser de tamaño suficiente para permitir la inspección y el mantenimiento y para el servicio de grúa o montacargas.

## Controles del nivel de líquido

- En los modelos de  $\frac{1}{8}$  y  $\frac{1}{2}$  HP puede utilizarse una operación de flotador único. El instalador debe revisar el montaje del interruptor de flotador para asegurar su encendido y apagado apropiados. La bomba debe enchufarse directamente al enchufe estilo “en hombros” situado sobre el cordón del interruptor de flotador.
- La secuencia de operación del flotador recomendada para usarse con un panel de control requiere un sistema de tres o cuatro flotadores. En el sistema de tres flotadores, estos se designan SW-1 para el flotador inferior, SW-2 para el flotador intermedio y SW-3 para el flotador superior. En un sistema de cuatro flotadores, el cuarto flotador se designa SW-4.
  - Control simple – El nivel de líquido ascendente levanta el flotador SW-2, encendiendo la bomba. Cuando el nivel de líquido disminuye lo suficiente, SW-1 apaga la bomba. Si el afluente es excesivo, o si la bomba no funciona correctamente, SW-3 activará una alarma, la cual se mantendrá activada hasta que sea reposicionada en forma manual.
  - Control doble – El control doble alternará las dos bombas, haciendo que la bomba principal cambie en cada ciclo del sistema. Cuando está equipado con tres flotadores, el sistema ciclará igual que el control simple, descrito arriba, excepto que SW-1 hará que la bomba principal alterne.
  - Si el afluente es excesivo, o si la bomba principal no funciona correctamente, el nivel ascendente activará SW-3, encendiendo la bomba secundaria y la alarma. Al igual que antes, la alarma debe reposicionarse en forma manual.
  - Control con cuatro flotadores – El sistema de cuatro flotadores funciona igual que el sistema de control doble, excepto que el flotador SW-3 no activará la alarma. En este sistema, SW-4 activa la alarma, la cual también debe reposicionarse en forma manual.
- Se ofrecen varios controles de flotadores diferentes en el Catálogo Goulds.

**AVISO:** POSICIONE LOS FLOTADORES DE MODO QUE NO SE ENGANCHEN NI SE ENREDEN EN LA BOMBA, LA TUBERÍA DE DESCARGA U OTRO EQUIPO.

- El flotador más inferior apaga la unidad y debe ajustarse tal como se indica en el dibujo de “**PLOMERÍA E INSTALACIÓN TÍPICA**” incluido en este manual.
- Aumentando al distancia entre los flotadores SW-1 y SW-2 alarga el tiempo de operación. Un (1) minuto es el tiempo de ciclo mínimo recomendado para la bomba.

**AVISO:** DURANTE LA OPERACIÓN DE LA BOMBA, ASEGURE QUE EL NIVEL DE LÍQUIDO NO DISMINUYA POR DEBAJO DEL MOTOR DE LA BOMBA DURANTE PERÍODOS PROLONGADOS. ESTO PUEDE CAUSAR RECALENTAMIENTO DEL MOTOR DE LA BOMBA, PRODUCIENDO DAÑO AL MOTOR Y ANULANDO LA GARANTÍA.

## Paneles de control del motor de la bomba

- Los paneles de control deben cumplir con los requerimientos del Código Eléctrico Nacional y local.
- Las instalaciones monofásicas deben estar equipadas con un panel Serie “SES” o “A” de Goulds o, **COMO MÍNIMO**, con un panel de control con un contactador magnético e interruptor de desconexión de tamaño apropiado.
- Las instalaciones trifásicas deben estar equipadas con un panel Serie “SES” o “A” de Goulds o, **COMO MÍNIMO**, con un cortacircuitos tripolar, un arrancador magnético de línea clasificado por NEMA para la potencia adecuada y relés de sobrecarga Quick Trip de Clase 10 de compensación ambiental.

## Alambrado y conexión a tierra

- Utilice solamente alambre de cobre trenzado, al motor y a tierra. El alambre a tierra debe ser por lo menos del tamaño de los alambres al motor. Los alambres deben tener los colores de código para facilitar el mantenimiento.



Instale, conecte a tierra y alambre de acuerdo con los requerimientos del Código Eléctrico Nacional y local.



Instale un desconectador de todos los circuitos, cerca de la bomba.



Desconecte y bloquee la corriente eléctrica antes de instalar o dar servicio a la bomba.



El suministro eléctrico **DEBE** ser conforme a las especificaciones de la placa del fabricante de la bomba. La tensión incorrecta puede causar incendios, daños al motor y anular la garantía.



Los motores monofásicos están equipados con protectores térmicos automáticos que abren el circuito eléctrico del motor cuando existe una sobrecarga térmica. Esto puede causar que la bomba arranque inesperadamente y sin advertencia.



Algunos modelos están equipados con un enchufe de tres clavijas conectado a tierra y **DEBE** usarse en un receptáculo de tres alambres conectado a tierra. **NO** modifique el enchufe ni quite la clavija de tierra.

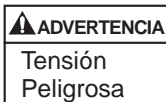
- Cuando haya que empalmar o conectar cables a los conductores del motor, los empalmes **DEBEN** ser herméticos al agua. Pueden usarse juegos de encapsulación o tubos de contracción por calor comercialmente disponibles, si los reglamentos locales o federales lo permiten.

**AVISO:** SIGA LAS INSTRUCCIONES DEL FABRICANTE DEL JUEGO DE EMPALME.

- Cuando se utilicen empalmes de alambres, siga uno de estos procedimientos:
  - Una a tope los alambres con conectores Sta-Kon™, o equivalentes, del tamaño adecuado y correctamente plegados. Aísle e impermeabilice cada junta con tubo de contracción por calor con un sellador autocontenido. Aplique calor en forma uniforme con un soplete hasta sellar adecuadamente.

## O

- Utilice aisladores plásticos y una camisa de empaquetadura de neopreno con conectores Sta-Kon™ de tamaño adecuado y plegados correctamente. Coloque una tapa y empaquetadura en cada extremo del alambre, centre la caja del aislador sobre el empalme, inserte la camisa en la caja lo más posible, apriete las tapas con la mano.
- En el caso de conductores múltiples, escalone las juntas.



**LA FALLA DE CONECTAR A TIERRA PERMANENTEMENTE LA BOMBA, EL MOTOR Y LOS CONTROLES, ANTES DE CONECTAR LA CORRIENTE ELÉCTRICA, PUEDE CAUSAR CHOQUES, QUEMADURAS O LA MUERTE.**

## Operación

- Si la unidad ha estado almacenada durante un período prolongado, verifique el nivel de aceite en el motor y en la cámara de sello para asegurar que estén llenos, utilizando los siguientes procedimientos:
  - Cubierta del motor – Con la bomba en la posición vertical, quite el tapón de llenado de aceite (358E), teniendo cuidado de que no entre nada al motor. El nivel de aceite debe estar por encima del extremo superior del motor, con el llenado de aceite correcto en la forma requerida. **NO** llene demasiado.
  - Conjuntos de casquillos para el paso de cables - Retorsione los casquillos de los cables de potencia y de los sensores a los valores dados en el paso 11 de la sección de **“REEMPLAZO DEL CABLE DE ALIMENTACIÓN”**.
- Antes de bajar la(s) bomba(s) al área de contención, las unidades trifásicas deben hacerse avanzar poco a poco para verificar la rotación correcta. Ver la flecha de rotación del motor en la cubierta del mismo (341). Revise ambas bombas en operación doble.

**AVISO:** LA TORSIÓN DE PUESTA EN MARCHA DEL MOTOR, EL “CONTRAGOLPE”, CAUSARÁ QUE EL MOTOR GIRE EN LA DIRECCIÓN OPUESTA A LA ROTACIÓN. ASEGURE QUE LA BOMBA ESTÉ ADECUADAMENTE RESTRINGIDA.



**NO PONGA LAS MANOS EN LA SUCCIÓN DE LA BOMBA MIENTRAS VERIFICA LA ROTACIÓN DEL MOTOR. EL HACERLO PODRÍA CAUSAR GRAVES LESIONES PERSONALES.**

**AVISO:** NO CAMBIE LOS CONDUCTORES DE POTENCIA PRIMARIA QUE LLEGAN A UN PANEL DE CONTROL DOBLE TRIFÁSICO. ESTO INVERTIRÁ LA ROTACIÓN DE AMBAS BOMBAS.

- Si la rotación del (de los) motor(es) trifásico(s) es al revés, invierta los dos conductores del cable de alimentación en el panel de control de la bomba.



**LOS DISPOSITIVOS DE DETECCIÓN DE RECALENTAMIENTO/SOBRECORRIENTE DEL MOTOR REARRANCAN AUTOMÁTICAMENTE EL MOTOR EN FORMA INESPERADA Y SIN ADVERTENCIA. ESTO PUEDE PRODUCIR GRAVES LESIONES PERSONALES.**

- Después de instalar la bomba en el área de contención, con inmersión adecuada, abra completamente la válvula de descarga. Arranque la unidad utilizando los controles manuales. Si el flujo es apreciablemente menor que el rendimiento nominal, la bomba podría estar obturada con aire. Para expulsar el aire atrapado, avance lentamente la unidad varias veces, empleando los controles manuales.
- Haga que un electricista calificado mida la corriente en la fase única o en las tres fases. Anote estas lecturas en el espacio incluido en la sección de **“INFORMACIÓN DEL PROPIETARIO”** de este manual para referencia futura.
- Ahora la unidad está lista para la operación normal. Coloque los controles en la posición automática.

## Mantenimiento



**LA FALLA DE DESCONECTAR Y BLOQUEAR LA CORRIENTE ELÉCTRICA ANTES DE INTENTAR CUALQUIER MANTENIMIENTO, PUEDE CAUSAR CHOQUES, QUEMADURAS O LA MUERTE.**



**LA UNIDAD DEBE LAVARSE Y DESINFECTARSE POR DENTRO Y POR FUERA, ANTES DE DARLE SERVICIO.**

## Mantenimiento periódico

**AVISO:** SE REQUIEREN INSPECCIONES PERIÓDICAS DE RUTINA Y DEBEN REALIZARSE DE ACUERDO CON LA FRECUENCIA Y EL PROGRAMA DE MANTENIMIENTO SUMINISTRADOS.

### FRECUENCIA MANTENIMIENTO REQUERIDO

FRECUENCIA	MANTENIMIENTO REQUERIDO
UNA VEZ AL MES	<ul style="list-style-type: none"><li>• Unidades dobles – Verifique los tiempos de operación uniformes. Los tiempos de operación no uniformes indican una unidad, flotador, interruptor o control defectuoso.</li><li>• Operación del flotador sin obstrucción.</li></ul>

## Desmontaje/Reensamblaje



**LA FALLA DE DESCONECTAR Y BLOQUEAR LA CORRIENTE ELÉCTRICA ANTES DE INTENTAR CUALQUIER MANTENIMIENTO, PUEDE CAUSAR CHOQUES, QUEMADURAS O LA MUERTE.**

**AVISO:** SIGA TODAS LAS INSTRUCCIONES DE SEGURIDAD Y DE LEVANTAMIENTO PRESENTADAS EN ESTE MANUAL.

- Siguiendo las instrucciones del riel corredizo, retire la unidad de bombeo del área de contención de aguas negras.



**LA UNIDAD DEBE LAVARSE Y DESINFECTARSE POR DENTRO Y POR FUERA, ANTES DE DARLE SERVICIO.**

## REEMPLAZO DEL SELLO MECÁNICO

1. Siga **TODAS** las instrucciones incluidas en la sección de “**DESMONTAJE**” de este manual.
2. Para tener acceso al impulsor y al sello mecánico de la bomba, quite los cuatro tornillos de cabeza hexagonal de la carcasa (372D). Quite la carcasa (100) y la empaquetadura de la carcasa (351); deseche la empaquetadura.



**LA FALLA DE QUITAR CUIDADOSAMENTE EL TAPÓN DE DRENAJE, PUEDE CAUSAR LA ERUPCIÓN DE ACEITE CALIENTE DEL TANQUE DE ACEITE Y CAUSAR LESIONES PERSONALES O DAÑOS A LA PROPIEDAD**

3. El retiro del conjunto del sello mecánico (387) requiere drenar el aceite aislante especial de la cubierta del motor. Esto se logra quitando el tapón de drenaje y drenando el aceite en un colector limpio de tamaño adecuado. Consulte la sección de “**DATOS DE INGENIERÍA**” para obtener información sobre el volumen requerido.

4. Para retirar el impulsor (101), podría ser necesario calentar con un soplete el impulsor y la contratuerca del impulsor (304), motores trifásicos únicamente. No use más calor que el necesario, ya que el exceso de calor dañará el sello mecánico. Bloquee el impulsor para que no gire y retire la contratuerca girándola **EN SENTIDO CONTRARIO A LAS MANECILLAS DEL RELOJ**. Retire el impulsor del eje del motor sujetando el eje con un destornillador y girando el impulsor **EN SENTIDO CONTRARIO A LAS MANECILLAS DEL RELOJ**.
5. Retire y deseche el conjunto del sello mecánico y asiento estacionario. **NO** dañe el eje del motor o el agujero del asiento.
6. Inspeccione y limpie con un paño el agujero del asiento estacionario.
7. Para instalar el nuevo asiento estacionario en la caja del sello, lubrique el agujero del sello estacionario y el eje del motor con aceite aislante para motores limpio. Empleando la herramienta de instalación de sello mecánico Goulds (A02A013), deslice el asiento estacionario en forma completa y encuadrada en la caja del sello.
8. Con un paño limpio y sin pelusas, quite todo el aceite lubricante o residuos de la cara estacionaria. **NO** raye ni dañe la cara del sello.
9. Lubrique el interior del elastómero rotatorio con aceite aislante para motores limpio. Empleando la herramienta de instalación Goulds, deslice el conjunto rotatorio del sello en el eje del motor y asíntelo totalmente contra el asiento estacionario. Retire la herramienta de instalación del sello.
10. Instale el impulsor sobre el eje del motor girando el impulsor **EN EL SENTIDO DE LAS MANECILLAS DEL RELOJ**. Apriete bien. Trate el impulsor con Loctite™ #271 e instálelo firmemente. Cuando se suministre, instale firmemente la contratuerca del impulsor.
11. Llene la cubierta del motor con aceite aislante especial para motores hasta menos de ½ pulgada (13 mm) de la caja de la cámara del sello. Encinte el tapón de drenaje con cinta Teflon™ e instale firmemente el tapón.
12. Reensamble la carcasa y la nueva empaquetadura de la carcasa en el conjunto de la bomba instalando los cuatro tornillos de cabeza hexagonal de la carcasa y apretándolos en secuencia a 35 lbs.-pies (47 N-m).

**AVISO:** SIGA LAS INSTRUCCIONES INCLUIDAS EN LAS SECCIONES DE “**ALAMBRADO Y CONEXIÓN A TIERRA**” Y “**OPERACIÓN**” DEL MANUAL DESPUÉS DE DESMONTAR O REENSAMBLAR LA UNIDAD.

## REEMPLAZO DEL CABLE DE ALIMENTACIÓN

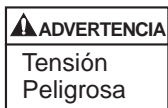
1. Para tener acceso a los tornillos de la cubierta del motor, siga los pasos 1 a 6 en la sección de “**REEMPLAZO DEL SELLO MECÁNICO**” de este manual.
2. Retire el protector contra tirones (484B) del cable de alimentación de la tapa del motor y deslice el cable hacia arriba.
3. Retire los cuatro tornillos de cabeza hueca (371C). Deslice cuidadosamente la cubierta y retírela del motor. **NO** dañe el cable de alimentación.
4. Desconecte los alambres del cable de alimentación del motor (338).

- Retire el cable de la cubierta del motor, inspecciónelo y reemplácelo, según sea requerido, siguiendo los procedimientos suministrados.

**AVISO:** DESECHE EL PROTECTOR CONTRA TIRONES, YA QUE NO PUEDE VOLVER A USARSE.

- Instale un nuevo protector contra tirones en el cable, deslizando el casquillo hexagonal primero, luego la arandela y finalmente el empaque. Inserte los cables en el agujero de la cubierta del motor. Pase una cantidad apropiada de cable por la cubierta del motor para permitir conectar los conductores del cable. NO apriete el casquillo del protector contra tirones.

- Conecte los conductores del cable de alimentación al conjunto del motor, de la siguiente manera:
  - Motores monofásicos – Conecte el alambre **NEGRO** al terminal L1 del motor. Conecte el alambre **BLANCO** al terminal L2 del motor. Conecte el alambre **VERDE** a la conexión a tierra del motor.
  - Motores trifásicos – Ver la Figura 1.



**LA FALLA DE CONECTAR LOS ALAMBRES DE ALIMENTACIÓN Y DE LOS SENSORES A LOS ALAMBRES INDICADOS, PUEDE CAUSAR CHOQUES, QUEMADURAS O LA MUERTE.**

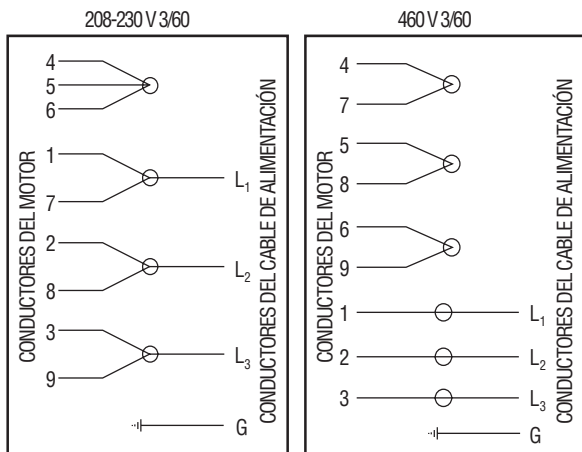


DIAGRAMA DE CABLEADO DE MOTOR TRIFÁSICO

**Figura 1**

- Amarre el cable de alimentación al motor.
- Deslice la cubierta sobre el motor, mientras hala cuidadosamente el cable de alimentación hacia afuera por el agujero de la cubierta del motor. NO dañe los cables. Instale los cuatro tornillos de cabeza hueca de la caja del sello, apretándolos a 90 lbs.-pulg. (10 N-m).
- Instale el protector contra tirones en el cable de alimentación, apretando el manguito de nilón a 75 lbs.-pulg. (8.5 N-m) y el manguito de acero a 100 lbs.-pulg. (11.3 N-m).
- Continúe el reensamblaje siguiendo los pasos 7 a 13 de la sección de **“REEMPLAZO DEL SELLO MECÁNICO”** de este manual.
- Si se reemplazó la cubierta del motor, es necesario transferir la placa de identificación Goulds. Instale la placa de identificación Goulds con dos tornillos metálicos de cabeza redonda No. 2 de acero inoxidable.

**AVISO:** SIGA LAS INSTRUCCIONES INCLUIDAS EN LAS SECCIONES DE “ALAMBRADO Y CONEXIÓN A TIERRA” Y “OPERACIÓN” DEL MANUAL DESPUÉS DE DESMONTAR O REENSAMBLAR LA UNIDAD.

### REEMPLAZO DEL CONDENSADOR DE ARRANQUE

- En los motores monofásicos únicamente, para tener acceso al condensador de arranque (376) del motor, siga los pasos 1 a 5 en la sección de **“REEMPLAZO DEL CABLE DE ALIMENTACIÓN”** de este manual.

**AVISO:** DESECHE EL PROTECTOR CONTRA TIRONES, YA QUE NO PUEDE VOLVER A USARSE.



**LA FALLA DE DRENAR LA CARGA ELÉCTRICA ALMACENADA EN EL CONDENSADOR ANTES DE DARLE SERVICIO, PUEDE PRODUCIR UN CHOQUE SERIO.**

- Retire el tornillo de retención del condensador y el soporte de retención del motor. Retire los dos alambres del condensador. Deseche el condensador.
- Conecte los dos alambres del motor al nuevo condensador y reensámblelo con el soporte de retención y el tornillo de retención, apretando firmemente.
- Reensamble la unidad siguiendo los pasos 6 a 12 en la sección **“REEMPLAZO DEL CABLE DE ALIMENTACIÓN”** de este manual.

**AVISO:** SIGA LAS INSTRUCCIONES INCLUIDAS EN LAS SECCIONES DE “ALAMBRADO Y CONEXIÓN A TIERRA” Y “OPERACIÓN” DEL MANUAL DESPUÉS DE DESMONTAR O REENSAMBLAR LA UNIDAD.

### REEMPLAZO DEL MOTOR

- Para tener acceso al conjunto del motor, siga los pasos 1 a 5 en la sección de **“REEMPLAZO DEL CABLE DE ALIMENTACIÓN”** de este manual.

**AVISO:** DESECHE EL PROTECTOR CONTRA TIRONES, YA QUE NO PUEDE VOLVER A USARSE.

- Retire los cuatro pernos pasantes del motor y quite cuidadosamente el conjunto del motor de la caja de cojinetes. El servicio adicional del motor **DEBE** ser realizado por una instalación capacitada en reparación de motores.
- Inserte el conjunto del motor en la caja de cojinetes, alineando visualmente los pernos pasantes del motor con los orificios de ventilación en la sección inferior del motor.
- Instale los cuatro pernos pasantes del motor, apretando a 35 lbs.-pulg. (4 N-m).
- Para concluir el reensamblaje, siga los pasos 6 a 12 en la sección de **“REEMPLAZO DEL CABLE DE ALIMENTACIÓN”** de este manual.

**AVISO:** SIGA LAS INSTRUCCIONES INCLUIDAS EN LAS SECCIONES DE “ALAMBRADO Y CONEXIÓN A TIERRA” Y “OPERACIÓN” DEL MANUAL DESPUÉS DE DESMONTAR O REENSAMBLAR LA UNIDAD.

## Datos de ingeniería

Sólidos de diámetro máximo			Inmersión mínima de la bomba – Por debajo del extremo superior de la cúpula del motor	6 pulg.	152 mm
3885	¾ pulg.	19 mm	Número mínimo de arranques de distribución uniforme por hora	6	
3886 y 3887	2 pulg.	50 mm	Temperatura máxima de operación		
Espesor máximo de la carcasa	⅝ pulg.	8 mm	Operación continua	40° C	104° F
Corrosión permitida de la carcasa	⅛ pulg.	3 mm	Operación intermitente	60° C	140° F
Presión mínima de trabajo	55 psi	380 kPa	Capacidad de aceite de la cubierta del motor	4,5 cuartos	4,3 L

### DATOS ELÉCTRICOS – 3885

HP	RPM	Tensión	Fase /Hz	Amperios	Código KVA	Resistencia del devanado – fase a fase (ohmios)	Cable de – alimentación AWG	Amperios fusible/cortacircuitos
⅓	1725	115	1/60	9,4	M	1,92	16/3	15
⅓	1725	230	1/60	4,7	N	7,58	16/3	10
½	3450	115	1/60	14,5	M	1,00	16/3	20
½	3450	230	1/60	7,3	M	4,03	16/3	10
½	3450	200	3/60	3,9	R	3,8	14/4	10
½	3450	230/460	3/60	3,4/1,7	R	5,81/23,24	14/4	10/10
¾	3450	230	1/60	10,0	J	2,99	14/3	15
¾	3450	200	3/60	6,2	L	5,7	14/4	10
¾	3450	230/460	3/60	5,4/2,7	L	4,04/16,15	14/4	10/10
1	3450	230	1/60	12,5	J	2,09	14/3	20
1	3450	200	3/60	8,1	M	2,6	14/4	10
1	3450	230/460	3/60	7,0/3,5	L	4,04/16,15	14/4	10/10
1½	3450	230	1/60	15,0	H	1,16	14/3	20
1½	3450	200	3/60	10,6	K	1,9	14/4	15
1½	3450	230/460	3/60	9,2/4,6	K	2,87/11,46	14/4	15/10
2	3450	230	1/60	18,0	F	M-1,1/S-2,2	14/3	15/10
2	3450	200-230/460	3/60	12,0-11,6/5,8	K	1,66/6,62	14/4	15/10

### DATOS ELÉCTRICOS 3886 Y 3887

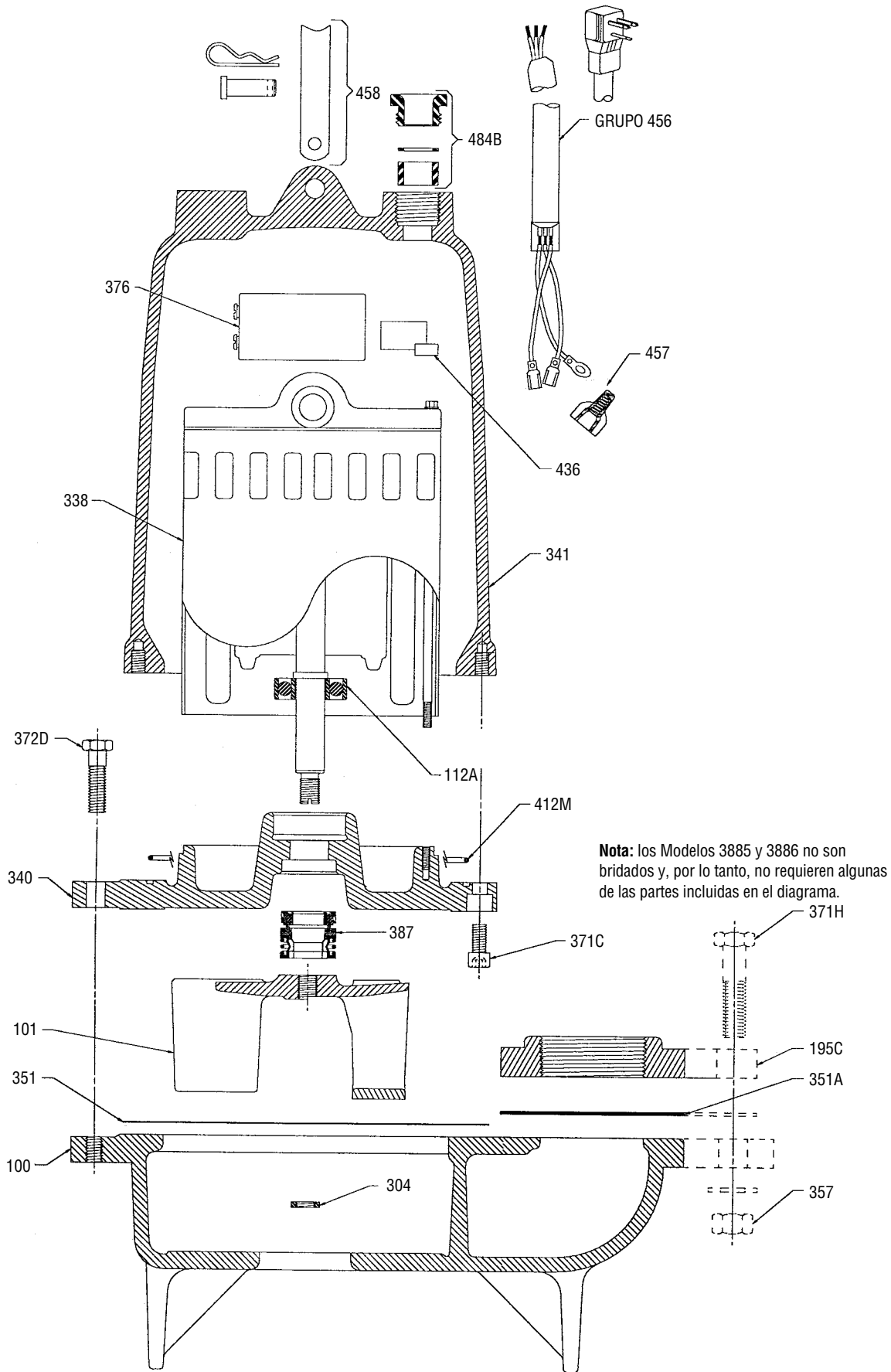
⅓	1725	115	1/60	9,8	M	1,92	16/3	15
⅓	1725	230	1/60	4,9	N	7,58	16/3	10
½	1725	115	1/60	14,5	N	1,6	16/3	20
½	1725	230	1/60	7,3	K	6,4	16/3	10
½	1725	200	3/60	3,8	K	6,55	14/4	10
½	1725	230/460	3/60	3,3/1,7	K	9,9/39,4	14/4	10/10
¾	1725	230	1/60	9,4	J	5,9	14/3	15
¾	1725	200	3/60	4,1	H	4,3	14/4	10
¾	1725	230/460	3/60	3,6/1,8	J	5,6/22,4	14/4	10/10
1	1725	230	1/60	12,3	H	2,6	14/3	20
1	1725	200	3/60	6,0	H	4,3	14/4	10
1	1725	230/460	3/60	5,8/2,9	J	5,6/22,4	14/4	10/10

### DATOS ELÉCTRICOS 38867BHF

⅓	1725	115	1/60	12,4	M	1,00	16/3	15
⅓	1725	230	1/60	6,2	M	4,03	16/3	10
½	3450	115	1/60	14,5	M	1,00	16/3	20
½	3450	230	1/60	7,6	M	4,03	16/3	10
½	3450	200	3/60	4,1	R	3,8	14/4	10
½	3450	230/460	3/60	3,6/1,8	R	5,81/23,24	14/4	10/10
¾	3450	230	1/60	9,4	J	2,99	14/3	15
¾	3450	200	3/60	6,2	L	5,7	14/4	10
¾	3450	230/460	3/60	5,4/2,7	L	4,04/16,15	14/4	10/10
1	3450	230	1/60	14,5	J	2,1	14/3	20
1	3450	200	3/60	8,6	M	2,6	14/4	10
1	3450	230/460	3/60	7,5/3,8	L	4,0/16,2	14/4	10/10
1½	3450	230	1/60	18,0	F	M-1,1/S-2,2	14/3	20
1½	3450	200-230/460	3/60	10,0-9,6/4,8	K	1,66/6,62	14/4	15/10
2	3450	230	1/60	18,0	F	M-1,1/S-2,2	14/3	20
2	3450	200-230/460	3/60	12,0-11,6/5,8	K	1,66/6,62	14/4	15/10



**Diagrama de repuestos para los Modelos 3885, 3886 y 3887**





## Tabla de repuestos para el Modelo 3885

Artículo No.	Nombre de la parte	Material	Cant.	Número de pedido de repuestos						Peso máx. (lbs.)
				1725 RPM	3450 RPM					
				1/3 HP	1/2 HP	3/4 HP	1 HP	1 1/2 HP	2 HP	
100	Carcasa – 1/3 HP, modelo "L" únicamente	Hierro fundido	1	1K171	N/A					13,0
	Carcasa – todos los demás			1K170						
101	Impulsor	Hierro fundido	1	2K158	2K220	2K219	2K218	2K217	2K840	2,0
	Impulsor	Bronce		2K271	2K272	2K273	2K274	2K275	2K841	2,5
	Impulsor – carga alta	Hierro fundido		N/A	2K225 HH	N/A	N/A	2K221HH	N/A	3,5
	Impulsor – carga alta	Bronce		N/A	2K276 HH	N/A	N/A	2K277 HH	N/A	4,0
112A	Rodamiento inferior	Acero	1	4K132					4K384	–
112B	Rodamiento superior	Acero	1	4K132						–
218	Aceite aislante (galón) – galones requeridos	Aceite para turbinas – Sunvis 932, Convis 150	1	4K432 (5 galones)						7,5 lbs./galón
				1,2 galones						
304	Contractuerca del impulsor (trifásico únicamente)	Al Serie AISI 300	1	13K6						–
338	Motor	Acero inoxidable – ext. corta.	1	118-121R	118-1222R	N/A	N/A	N/A	N/A	13,0 to 24,0
				118-122R	118-1223R	118-1232R	118-1233R	118-1334R	120-845R	
				N/A	118-1321R	118-1322R	118-1323R	118-1324R	120-8425R	
				N/A	118-1333R	118-1334R	118-1335R	118-1336R	120-8425R	
340	Caja del cojinete	Hierro fundido	1	1K167					1K332	10,0
341	Cubierta del motor	Hierro fundido	1	1K207	1K207	1K208	1K208	1K208	1K208	23,0
				1K208						
351	Empaquetadura de la carcasa	Compuesto	1	5K170						–
358E	Tapón – cubierta del motor 3/8" NPT	Acero	1	6K3						–
371C	Tornillo de cabeza hueca – caja del cojinete a la cubierta del motor	Acero inoxidable Serie AISI 300	2	13K210						–
372D	Tornillo hexagonal – caja del sello a la carcasa	Al Serie AISI 300	4	13K186						–
376	Condensador (monofásico únicamente)	varía	1	1K197	9K197	9K197	9K197	9K197	275470130	–
				N/A	N/A	N/A	N/A	N/A	279342110	
387	Sello mecánico – estándar	Carburo de silicio	1	10K63 (John Crane Tipo 6)					10K71	–
	Sello mecánico – opcional	Carburo de tungsteno	1	10K30 (John Crane Tipo 21)					10K72	–
412M	Aro tórico – cubierta del motor	BUNA-N, AS 568A-166	1	4K252						–
436	Interruptor electrónico			N/A					294811980	–
456	Cable de alimentación		1	Ver la tabla de abajo						–
457	Tuerca para alambre trifásico, 200/230 V	Caja de nilón	4	9K145						–
	(cable de alimentación) trifásico, 460 V		6	9K145						–
458	Conjunto de la manija	Acero inox. AISI 300	1	4K243						–
484B	Conjunto de protección contra tirones (cable de alimentación)	Monofásico	1	5K113	5K113	5K111	5K111	5K111	5K111	–
		Trifásico	1	N/A	5K111					–
	Loctite #271		1	AL271121						–

Modelo 3885 – descripción de cables de alimentación y de sensores	Tipo y tamaño AWG	Longitud estándar*	Longitudes opcionales			Peso (lbs./5 pies)
		20'	30'	50'	100'	
<b>Cables de alimentación</b>						
Monofásicos: 1/3 y 1/2 HP, 115 V; con enchufe estándar, con conductores expuestos opcional	SJTOW – 16/3	9K165	9K214	9K215	N/A	0,5
Monofásicos: 1/3 y 1/2 HP, 230 V; con enchufe estándar, con conductores expuestos opcional	SJTOW – 16/3	9K164	9K214	9K215	N/A	0,5
Monofásicos: 3/4 – 1 1/2 HP, 230 V con conductores expuestos	STOW – 14/3	9K163	9K216	9K161	9K217	0,9
Monofásicos: 1 1/2 – 2 HP, 230 V con conductores expuestos	STOW – 14/3	9K266	9K267	9K268	9K269	0,9
Trifásicos: 1/2 – 2 HP, 208–230/460 V con conductores expuestos	STOW – 14/4	9K153	9K218	9K154	9K219	1,1

## Tabla de repuestos para los Modelos 3886 y 3887

**Nota:** 1K168 es la carcasa para el modelo 3886 de ½ HP. 1K178 es la carcasa para el modelo 3887 de ½ - 1 HP.

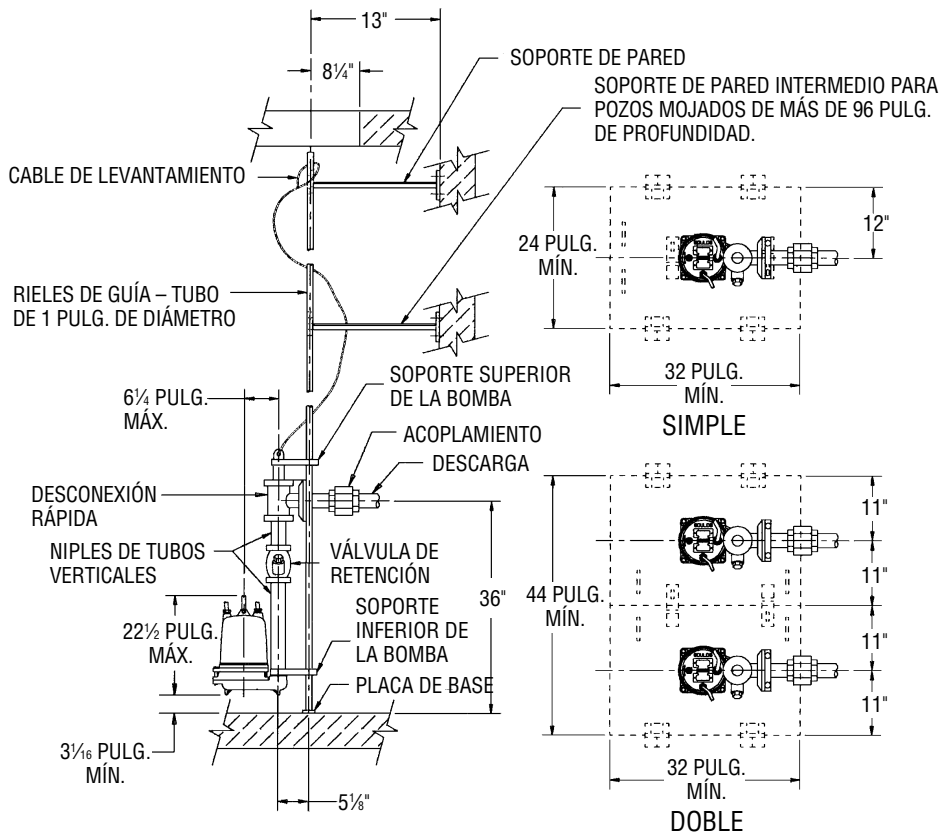
Artículo No.	Nombre de la parte	Material	Cant.	Número de pedido de repuestos						Peso máx. (lbs.)	
				1725 RPM			3450 RPM				
				½ HP	¾ HP	1 HP	1 HP	1½ HP	2 HP		
100	Carcasa	Hierro fundido	1	1K168 para 3886 NPT			1K178 para 3887 bridado			16,5	
101	Impulsor	Hierro fundido	1	2K268	2K239	2K240	2K241	2K242	2K800	2K798	3,0
	Impulsor	Bronce	1	2K279	2K280	2K281	2K282	2K283	2K801	2K799	3,5
112A	Rodamiento inferior	Acero	1	4K132				4K384		–	
112B	Rodamiento superior (no se muestra)	Acero	1	4K132						–	
195C	Brida de descarga (2 pulg. NPT est.)	Hierro fundido	1	6K76						1,5	
	Brida de descarga (3 pulg. NPT op.)	Hierro fundido	1	A1-3						1,5	
218	Aceite aislante del motor (se requiere aprox. 1 galón)	Aceite para Turbina	1	4K432						7,5 lbs./galón	
304	Contratuercas del impulsor (trifás únic.)	Al serie AISI 300	1	13K6						–	
338	Motor – monofásico, 115 V	Acero inoxidable	1	118-121R	118-123R	N/A	N/A	N/A	N/A	N/A	13,0 a 24,0
	Motor – monofásico, 230 V			118-122R	118-124R	118-1212R	118-1213R	118-1233R	120-844R	120-845R	
	Motor – trifásico, 230/460 V			N/A	118-132R	118-1304R	118-134R	118-1323R	N/A	N/A	
	Motor – trifásico, 200 V			N/A	118-1314R	118-1316R	118-1316R	118-1335R	N/A	N/A	
	Motor – trifásico, 200-230/460 V			N/A	N/A	N/A	N/A	N/A	120-8425R	120-8425R	
340	Caja del cojinete	Hierro fundido	1	1K167				1K332		10,0	
341	Cubierta del motor – monofásico	Hierro fundido	1	1K207	1K207	1K208	1K208	1K208	1K208	1K208	20,0
	Cubierta del motor – trifásico			1K208							
351	Empaquetadura de la carcasa	Compuesto	1	5K170						–	
351A	Empaquetadura de la brida de descarga	Compuesto	1	5K150						–	
357	Tuerca hex. – brida de descarga	Al Serie AISI 300	2	13K99						–	
358E	Tapón – cubierta del motor ¾ pulg. NPT	Acero	1	6K3						–	
371C	Tornillo de cabeza hueca – caja del cojinete a la cubierta del motor	Al serie AISI 300	4	13K210						–	
371H	Tornillo hex. – brida de descarga	Al serie AISI 300	2	13K153						–	
372D	Tornilla hex. – caja del cojinete a la carcasa	Al serie AISI 300	4	13K186						–	
376	Condensador (monofásico únicamente) – arrangue	Varía	1	9K197	9K197	9K235	9K235	9K197	275469128	275470130	–
	– operación			N/A	N/A	N/A	N/A	N/A	N/A	279342110	
387	Sello mecánico – estándar	Carburo de silicio	1	10K63 (John Crane Tipo 6)				10K71		–	
	Sello mecánico – opcional	Carburo de tungsteno	1	10K30 (John Crane Tipo 21)				10K72		–	
412M	Aro tórico – cubierta del motor	Nitrilo	1	4K252						–	
436	Interruptor electrónico (motor)	–	1	N/A				294612982	294811980	–	
456	Cable de alimentación	–	1	Ver la tabla de abajo						–	
457	Tuerca para alambre – trifás, 200/230 V	Caja de nilón	4	9K145						–	
	Tuerca para alambre – trifás, 460 V		6	9K145						–	
458	Conjunto de la manija	Al serie AISI 300	1	4K243						–	
484B	Conjunto de protección contra tirones (cable de alimentación)	Varía	1	5K113	5K113	5K111	5K111	5K111	5K111	5K111	–
			1	N/A	5K111				–		
528	Arandela – brida de descarga	Al serie AISI 300	2	13K82						–	
	Loctite #271	–	1	AL27121						–	

\* Consultar con la fábrica

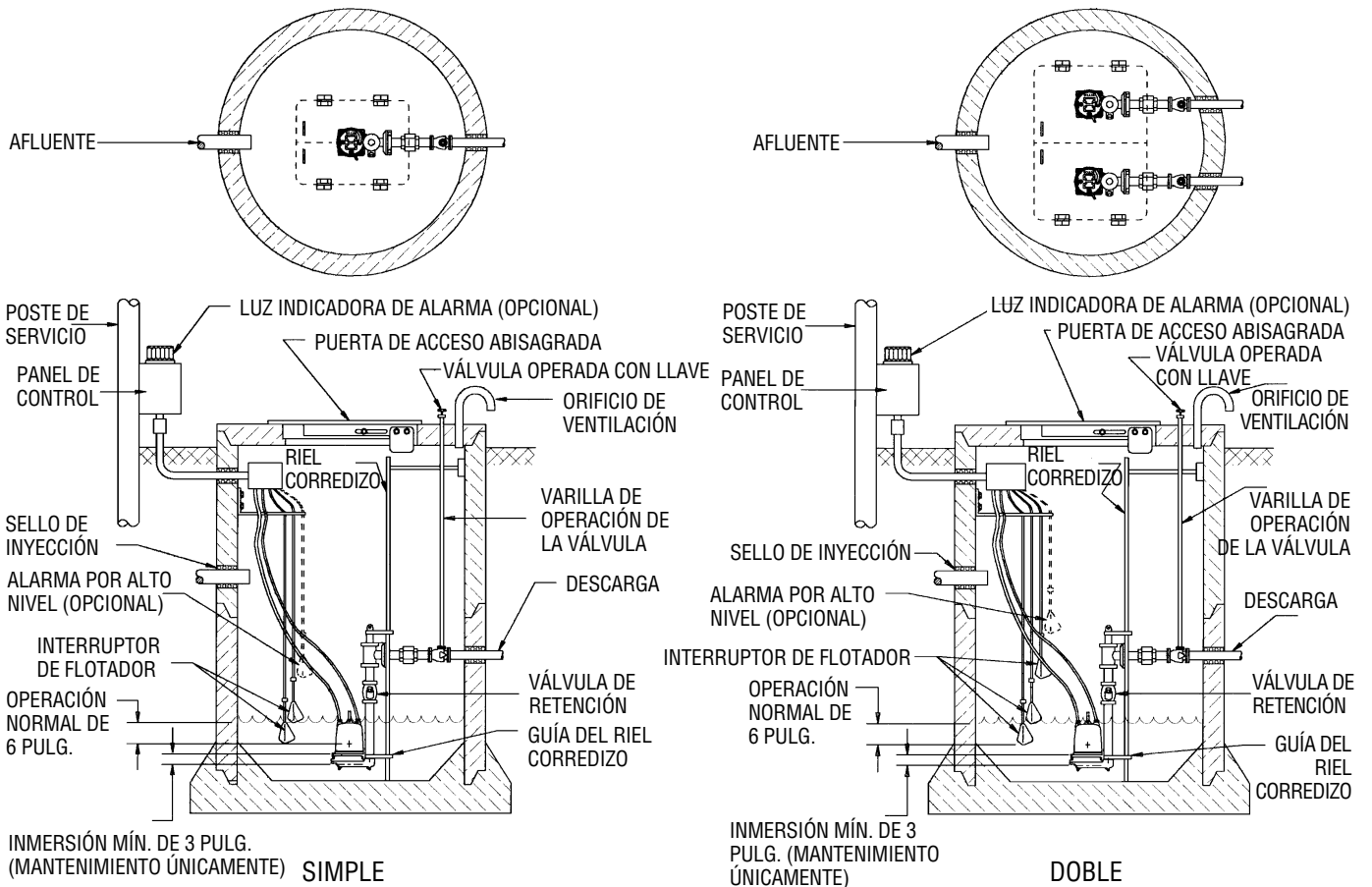
Modelo 3887 – descripción de los cables de alimentación	Tipo y tamaño AWG	Longitud estándar*	Longitudes opcionales			Peso (lbs./5 pies)
		20'	30'	50'	100'	
<b>Cables de alimentación</b>						
Monofásicos: ½ y ¾ HP, 115 V; con enchufe estándar, longitud opcional con conductores expuestos	SJTOW – 16/3	9K165	9K214	9K215	N/A	0,5
Monofásicos: ½ y ¾ HP, 230 V; con enchufe estándar, longitud opcional con conductores expuestos	SJTOW – 16/3	9K164	9K214	9K215	N/A	0,5
Monofásicos: ¾ – 1HP, 230 V con conductores expuestos	STOW – 14/3	9K163	9K216	9K161	9K217	0,9
Monofásicos: 1½ – 2 HP, 230 V con conductores expuestos	STOW – 14/3	9K266	9K267	9K268	9K269	0,9
Trifásicos: ½ – 2 HP, 208–230/460 V con conductores expuestos	STOW – 14/4	9K153	9K218	9K154	9K219	1,1

9K197 REF#615996 1 OR 624751 1 MFD 110 VAC  
 9K235 REF#615996 2 189/227 MFD 110 VAC

## Instalación típica del riel corredizo de 2 pulg.



## Plomería e instalación típicas





### LA FALLA DE DESCONECTAR Y BLOQUEAR LA CORRIENTE ELÉCTRICA ANTES DE INTENTAR CUALQUIER MANTENIMIENTO, PUEDE CAUSAR CHOQUES, QUEMADURAS O LA MUERTE.

SÍNTOMA	CAUSA PROBABLE	ACCIÓN RECOMENDADA
<p>EL MOTOR NO ESTA FUNCIONANDO</p> <p><b>NOTA:</b> Si el cortacircuitos se ABRE en forma repetida, <b>NO</b> lo reposicione. Llame a un electricista competente.</p>	<p>El protector térmico del motor está disparado.</p> <p>Cortacircuitos abierto o fusible quemado.</p> <p>El impulsor de la bomba está rozando o está atascado.</p>	<p>Deje enfriar el motor. Asegure una inmersión mínima de la bomba. Limpie los residuos de la carcasa y el impulsor.</p> <p>Determine la causa, llame a un electricista competente.</p> <p>Mida el consumo de corriente del motor. Si es dos o más veces más alto que lo especificado en la sección de "DESCRIPCIÓN Y ESPECIFICACIONES", el impulsor está trabado, o los cojinetes o el eje del motor están dañados. Limpie los residuos de la carcasa y el impulsor; consulte con el comerciante.</p>
<p>a) Operación manual</p>	<p>El cable de alimentación está dañado.</p>	<p>La resistencia entre los conductores de alimentación debe ser igual a la especificada en los "DATOS DE INGENIERÍA". La resistencia entre los conductores de alimentación y tierra debe ser infinita. Si alguna lectura es incorrecta, llame a un electricista competente.</p>
<p>b) Operación automática</p> <p><b>NOTA:</b> Verifique el funcionamiento de la bomba en modo manual primero para confirmar la operación. Si la bomba funciona, los controles automáticos están defectuosos. Si la bomba no funciona, consulte arriba.</p>	<p>Conexión eléctrica inadecuada en el panel de control.</p> <p>Interruptor de nivel de líquido defectuoso.</p> <p>Nivel de líquido insuficiente para activar los controles.</p> <p>Los cables de nivel de líquido están enredados.</p>	<p>Inspeccione el cableado del panel de control. Llame a un electricista competente.</p> <p>Con el interruptor desconectado, verifique la continuidad mientras activa el interruptor de nivel de líquido. Reemplace el interruptor, según sea requerido.</p> <p>Deje que el nivel de líquido suba de 3 a 4 pulg. (76 mm - 101 mm) por encima del nivel de encendido.</p> <p>Desenrede los cables y asegure un funcionamiento sin restricciones.</p>
<p>NO PUEDE APAGARSE LA BOMBA</p>	<p>Los cables de nivel de líquido están enredados.</p> <p>La bomba está atascada con aire.</p> <p>El flujo de afluente está muy próximo a la capacidad de descarga de la bomba.</p>	<p>Desenrede los cables y asegure un funcionamiento sin restricciones.</p> <p>Apague la bomba durante aproximadamente un minuto, luego arránquela nuevamente. Repita hasta que el atascamiento con aire desaparezca. Si el atascamiento con aire persiste en un sistema con un tubo de válvula de retención, se puede taladrar un agujero de 0,188 pulg. (5 mm) en el tubo de descarga aproximadamente a 2" (51 mm) detrás de la conexión de descarga.</p> <p>Podría requerirse una bomba de mayor capacidad.</p>
<p>LA BOMBA ENTREGA POCO O NADA DE LÍQUIDO</p>	<p>Válvula de retención instalada en sentido inverso, tapada o atascada en posición cerrada.</p> <p>Carga excesiva del sistema.</p> <p>Entrada de la bomba tapada.</p> <p>Tensión inadecuada o cableado incorrecto.</p> <p>La bomba está atascada con aire.</p> <p>El impulsor está gastado o dañado.</p> <p>Los controles de nivel de líquido están defectuosos o posicionados incorrectamente.</p>	<p>Revise la dirección de la flecha de flujo en la válvula y verifique el funcionamiento de la válvula.</p> <p>Consulte con el comerciante.</p> <p>Inspeccione y despeje, según sea requerido.</p> <p>Verifique la rotación, la tensión y el cableado de la bomba.</p> <p>Consulte con un electricista competente</p> <p>Consulte la acción recomendada arriba.</p> <p>Inspeccione el impulsor, reemplácelo si así se requiere.</p> <p>Inspeccione, reajuste o reemplace, según sea requerido.</p>
<p>LA BOMBA CICLA EN FORMA CONSTANTE</p>	<p>La válvula de retención de descarga no funciona.</p> <p>El área de contención de aguas negras es demasiado pequeña.</p> <p>Los controles de nivel de líquido están defectuosos o posicionados incorrectamente.</p> <p>Afluente excesivo para una bomba de este tamaño.</p>	<p>Inspeccione, repare o reemplace, según sea requerido.</p> <p>Consulte con el comerciante.</p> <p>Inspeccione, reajuste o reemplace, según sea requerido.</p> <p>Consulte con el comerciante.</p>

### GARANTÍA LIMITADA DE GOULDS PUMPS

Esta garantía es aplicable a todas las bombas para sistemas de agua fabricadas por Goulds Pumps. Toda parte o partes que resultaren defectuosas dentro del período de garantía serán reemplazadas, sin cargo para el comerciante, durante dicho período de garantía. Tal período de garantía se extiende por doce (12) meses a partir de la fecha de instalación, o dieciocho (18) meses a partir de la fecha de fabricación, cualquiera se cumpla primero.

Todo comerciante que considere que existe lugar a un reclamo de garantía deberá ponerse en contacto con el distribuidor autorizado de Goulds Pumps del cual adquiriera la bomba y ofrecer información detallada con respecto al reclamo. El distribuidor está autorizado a liquidar todos los reclamos por garantía a través del Departamento de Servicios a Clientes de Goulds Pumps.

**La presente garantía excluye:**

- (a) La mano de obra, el transporte y los costos relacionados en los que incurra el comerciante;
- (b) los costos de reinstalación del equipo reparado;
- (c) los costos de reinstalación del equipo reemplazado;
- (d) daños emergentes de cualquier naturaleza; y
- (e) el reembolso de cualquier pérdida causada por la interrupción del servicio

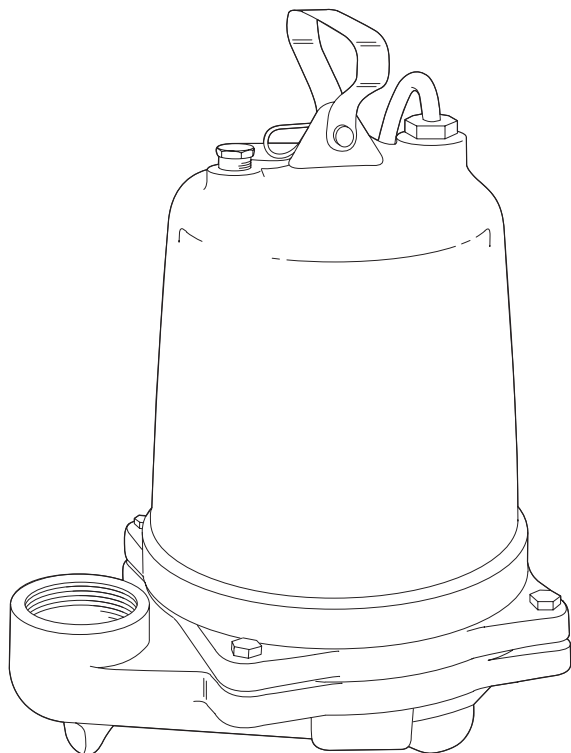
**A los fines de esta garantía, los términos "Distribuidor", "Comerciante" y "Cliente" se definen como sigue:**

- (1) "Distribuidor" es aquel individuo, sociedad, corporación, asociación u otra persona jurídica que opera en relación legal entre Goulds Pumps y el comerciante para la compra, consignación o contratos de venta de las bombas en cuestión.
- (2) "Comerciante" es todo individuo, sociedad, corporación, asociación u otra persona jurídica que en el marco de una relación legal realiza negocios de venta o alquiler-venta (leasing) de bombas a clientes.
- (3) "Cliente" es toda entidad que compra o que adquiere bajo la modalidad de leasing las bombas en cuestión de un comerciante. El término "cliente" puede significar un individuo, sociedad, corporación, sociedad de responsabilidad limitada, asociación o cualquier otra persona jurídica con actividades en cualquier tipo de negocios.

**LA PRESENTE GARANTÍA SE EXTIENDE AL COMERCIANTE ÚNICAMENTE.**

# Directives d'installation, d'utilisation et d'entretien

# Modèles 3885, 3886, 3887



## Informations pour le propriétaire

Numéro de modèle : \_\_\_\_\_  
 Numéro de série : \_\_\_\_\_  
 Détaillant : \_\_\_\_\_  
 N° de téléphone du détaillant : \_\_\_\_\_  
 Date d'achat : \_\_\_\_\_ Installation : \_\_\_\_\_  
 Intensité de courant au démarrage  
 Moteur monophasé : \_\_\_\_\_  
 Moteur triphasé – 1<sup>re</sup> phase : \_\_\_\_\_  
 2<sup>e</sup> phase : \_\_\_\_\_ 3<sup>e</sup> phase : \_\_\_\_\_

## Table des matières

SUJET	PAGE
Consignes de sécurité .....	26
Description et caractéristiques .....	26
Levage de la pompe .....	26
Système à rail de guidage (glissière) .....	26
Tuyauterie .....	26
Trappes de visite .....	27
Régulateurs de niveau .....	27
Tableaux de commande des moteurs de pompe .....	27
Câblage et mise à la terre .....	27
Utilisation .....	28
Entretien .....	28
Entretien périodique .....	28
Démontage et remontage .....	29
Remplacement de la garniture (joint) mécanique .....	29
Remplacement du câble d'alimentation .....	29
Remplacement du condensateur de démarrage .....	30
Remplacement du moteur .....	30
Données techniques .....	31
Dessin en coupe – modèles 3885, 3886 et 3887 .....	32
Pièces de rechange et matériaux – modèles 3885, 3886 et 3887 .....	33, 34
Système à rail de guidage type de 2 po .....	35
Installations types .....	35
Diagnostic des anomalies .....	36
Garantie limitée de Goulds .....	36

## CONSIGNES DE SÉCURITÉ

**AFIN DE PRÉVENIR LES BLESSURES GRAVES OU MORTELLES ET LES DOMMAGES MATÉRIELS IMPORTANTS, LIRE ET SUIVRE TOUTES LES CONSIGNES DE SÉCURITÉ FIGURANT DANS LE MANUEL ET SUR LA POMPE.**

**LE PRÉSENT MANUEL A POUR BUT DE FACILITER L'INSTALLATION ET L'UTILISATION DE LA POMPE ET DOIT ÊTRE CONSERVÉ PRÈS DE CELLE-CI.**



Le symbole ci-contre est un **SYMBOLE DE SÉCURITÉ** employé pour signaler les mots-indicateurs dont on trouvera la description ci-dessous. Sa présence sert à attirer l'attention afin d'éviter les blessures et les dommages matériels.



**DANGER** Prévient des risques qui **VONT** causer des blessures graves, la mort ou des dommages matériels importants.



**AVERTISSEMENT** Prévient des risques qui **PEUVENT** causer des blessures graves, la mort ou des dommages matériels importants.



**ATTENTION** Prévient des risques qui **PEUVENT** causer des blessures ou des dommages matériels.

**AVIS :** SERT À ÉNONCER LES DIRECTIVES SPÉCIALES DE GRANDE IMPORTANCE QUE L'ON DOIT SUIVRE.

**LIRE SOIGNEUSEMENT CHAQUE DIRECTIVE ET AVERTISSEMENT AVANT D'EFFECTUER TOUT TRAVAIL SUR LA POMPE.**

**N'ENLEVER AUCUNE DÉCALCOMANIE DE SÉCURITÉ.**



Les fluides dangereux peuvent causer un incendie, des brûlures ou la mort.

**APPAREIL NON CONÇU POUR LES LIQUIDES DANGEREUX NI POUR LES GAZ INFLAMMABLES. CES FLUIDES PEUVENT ÊTRE PRÉSENTS DANS LES INSTALLATIONS DE CONFINEMENT (PUITS COLLECTEURS).**

**AVIS :** INSPECTER L'APPAREIL ET SIGNALER IMMÉDIATEMENT TOUT DOMMAGE AU TRANSPORTEUR OU AU DÉTAILLANT.

## DESCRIPTION ET CARACTÉRISTIQUES

Le modèle 3885 est une pompe à effluents submersible, à orifice de refoulement de 2 po NPT, permettant le passage des solides de 19 mm (3/4 po). Le 3886 est une pompe à eaux d'égout submersible laissant passer les solides de 50 mm (2 po). Le 3887 est une pompe à eaux d'égout submersible, à orifice de refoulement à bride de 2 po (standard) ou de 3 po (en option), pouvant pomper des solides de 50 mm (2 po).

### Levage de la pompe



Les tensions dangereuses peuvent causer un choc électrique, des brûlures ou la mort.

**NE PAS LEVER, TRANSPORTER NI SUSPENDRE LA POMPE PAR LE CÂBLE ÉLECTRIQUE, CAR L'ENDOMMAGEMENT DE CELUI-CI PEUT CAUSER UN CHOC ÉLECTRIQUE, DES BRÛLURES OU LA MORT.**

- Déplacer la pompe à l'aide d'un filin ou d'une chaîne de grosseur appropriée fixés à la poignée de levage (458). Veiller à **NE PAS** endommager le câble électrique pendant la manutention de la pompe.

### Système à rail de guidage (glissière)

- Pour une bonne installation, il est recommandé d'employer le système à rail de guidage **OPTIONNEL** A10-20 de Goulds.

**AVIS :** SUIVRE LES DIRECTIVES D'INSTALLATION ET D'UTILISATION FOURNIES AVEC LE SYSTÈME À RAIL.

- Il est préférable d'installer le système à rail de façon à ce que la pompe soit face à l'orifice d'arrivée de l'influent pour empêcher la formation de zones de stagnation et, ainsi, de dépôts.
- Le fond du puits collecteur **DOIT** être plat sous la plaque de base du rail et être suffisamment résistant pour supporter tout le poids de l'ensemble : plaque de base, rail de guidage, pompe et tuyauterie.

### Tuyauterie

- Afin de réduire les pertes de charge (par frottement) au minimum, on devrait maintenir la tuyauterie de refoulement aussi courte que possible, ne pas employer un calibre de tuyau inférieur à 51 mm (2 po) ni utiliser d'accessoires ou de raccords de tuyauterie superflus.
- Poser sur le tuyau de refoulement un clapet de non-retour laissant passer les solides de 19 mm (3/4 po) ou de 50 mm (2 po), selon qu'il s'agit d'une pompe à effluents ou à eaux d'égout. Suivre les directives du fabricant du clapet pour l'installation.
- Installer **EN AVAL** (après) du clapet de non-retour un robinet-vanne de calibre approprié permettant l'entretien de la pompe, de la tuyauterie et du clapet.
- Afin de prévenir les poches d'air, percer un trou de 4,8 mm (3/16 po) à 50,8 mm (2 po) en aval du raccord de refoulement de la pompe.
- La tuyauterie doit être supportée correctement pour n'appliquer aucune charge pouvant causer la déformation de la pompe.



## Trappes de visite

- Les trappes de visite peuvent être du type à abattant simple ou double. Elles devraient être munies d'une poignée de levage et d'un verrou intraficable. Elles sont offertes en aluminium ou en acier pour un service ordinaire ou dur.
- Les trappes doivent être assez grandes pour permettre l'inspection et l'entretien de la pompe ainsi que l'emploi d'un dispositif de levage.

## Régulateurs de niveau

- Un régulateur de niveau à simple contacteur à flotteur peut servir pour les pompes de  $\frac{1}{3}$  et  $\frac{1}{2}$  hp. L'installateur(trice) doit vérifier le fonctionnement du contacteur pour s'assurer que la pompe démarre et s'arrête au bon moment. On peut brancher la pompe directement sur la fiche-prise du contacteur.
- La séquence d'opérations recommandée pour la régulation de niveau par tableau de commande exige un système à trois ou à quatre contacteurs à flotteur. Dans le système à triple contacteur, le flotteur inférieur est appelé SW-1, l'intermédiaire, SW-2, et le supérieur, SW-3. Dans le système à quatre contacteurs, le quatrième flotteur se nomme SW-4.
- Régulateur pour système à pompe simple – Le liquide lève le flotteur SW-2, qui met la pompe en marche. Lorsque le niveau du liquide baisse suffisamment, le flotteur SW-1 arrête la pompe. En cas d'écoulement excessif de l'influent ou de mauvais fonctionnement de la pompe, le flotteur SW-3 actionne un dispositif d'alarme qui reste en fonction jusqu'à ce qu'on le réenclenche manuellement.
- Régulateur pour système à pompe double – S'il s'agit d'un système à trois contacteurs à flotteur, ceux-ci remplissent la même fonction que dans le système à pompe simple, sauf que le flotteur SW-1 commande en outre l'alternance des pompes à chaque cycle de fonctionnement.
- En cas d'écoulement excessif de l'influent ou de mauvais fonctionnement de la pompe en service, le flotteur SW-3 met la seconde pompe en marche et déclenche l'alarme, dont le dispositif reste en fonction jusqu'à ce qu'on le réenclenche manuellement.
- Régulateur à quatre contacteurs à flotteur – Ce régulateur fonctionne de la même manière que le régulateur pour système à pompe double, sauf que c'est le flotteur SW-4 qui déclenche le dispositif d'alarme, que l'on doit réenclencher manuellement.
- Le catalogue Goulds offre une gamme variée de régulateurs de niveau à flotteurs.

**AVIS :** PLACER LES CÂBLES ET LES FLOTTEURS DE FAÇON À EMPÊCHER TOUT ENCHEVÊTREMENT ET ACCROCHAGE CONTRE LA POMPE, LA TUYAUTERIE DE REFOULEMENT OU LES AUTRES ÉLÉMENTS DU SYSTÈME.

- Le flotteur inférieur sert à l'arrêt de la pompe et devrait être placé de la manière illustrée dans la section « **INSTALLATIONS TYPES** » du présent manuel.
- L'augmentation de la hauteur entre les flotteurs SW-1 et SW-2 allonge le cycle de fonctionnement de la pompe, dont la durée minimale recommandée est de une (1) minute.

**AVIS :** DURANT LE FONCTIONNEMENT DE LA POMPE, LE NIVEAU DU LIQUIDE NE DOIT PAS DESCENDRE PLUS BAS QUE LE MOTEUR PENDANT UNE DURÉE PROLONGÉE. CELA PEUT CAUSER LA SURCHAUFFE ET L'ENDOMMAGEMENT DU MOTEUR ET ANNULE LA GARANTIE.

## Tableaux de commande des moteurs de pompe

- Les tableaux de commande doivent être conformes aux prescriptions du code provincial ou national de l'électricité.
- Les tableaux pour moteurs monophasés doivent être de série SES ou A de Goulds ou, **AU MOINS**, être munis d'un sectionneur et d'un contacteur magnétique convenant à la charge électrique.
- Les tableaux pour moteurs triphasés doivent être de série SES ou A de Goulds ou, **AU MOINS**, être munis d'un disjoncteur tripolaire, d'un démarreur magnétique à branchement direct convenant à la puissance nominale NEMA appropriée, ainsi que de relais de surcharge rapides de classe 10 compensés en fonction des conditions ambiantes.

## Câblage et mise à la terre

- N'utiliser que du fil torsadé en cuivre pour la mise à la terre et l'alimentation du moteur. Le calibre du fil de terre doit être au moins égal à celui des fils d'alimentation du moteur, et les fils devraient tous être chromocodés pour faciliter l'entretien.



Poser le fil de terre et les autres fils suivant les prescriptions du code provincial ou national de l'électricité.



Monter un sectionneur tout conducteur près de la pompe.



Verrouiller la source d'alimentation électrique du moteur en position ouverte avant de procéder à l'installation ou à l'entretien de la pompe.



L'alimentation électrique **DOIT** être conforme aux spécifications de la plaque signalétique. Une tension inappropriée peut causer un incendie ou des dommages au moteur et annule la garantie.



Le protecteur thermique des moteurs monophasés coupe le courant lorsqu'il y a surcharge et le rétablit automatiquement, redémarrant ainsi le moteur de façon imprévue.



Les modèles munis d'une fiche à trois broches **DOIVENT** être branchés sur une prise à trois fils. **NE PAS** modifier la fiche ni enlever la broche de terre.

- Chaque joint ou connexion reliant les câbles aux fils du moteur **DOIT** être étanche. On peut employer des gaines thermorétractibles ou un produit d'enrobage s'ils sont permis par le code national ou provincial de l'électricité.

**AVIS :** SUIVRE LES DIRECTIVES DU FABRICANT DU NÉCESSAIRE À JOINTS.

- Si l'on a recours aux joints, suivre les directives ci-dessous :
  - Joindre les fils bout à bout au moyen de connecteurs Sta-Kon<sup>MC</sup> ou l'équivalent, sertis correctement et de grosseur appropriée. Isoler et étancher chaque connexion avec une gaine thermorétractible contenant un produit d'étanchéité. Chauffer la gaine uniformément avec un chalumeau jusqu'à ce que la connexion soit bien étanche.

**OU**

- Utiliser des isolants en plastique et un manchon d'étanchéité en néoprène ainsi que des connecteurs Sta-Kon<sup>MC</sup>, sertis correctement et de grosseur appropriée. Poser un capuchon et un joint d'étanchéité à l'extrémité de chaque fil, centrer l'isolant sur le joint, insérer le manchon aussi loin que possible dans l'isolant, puis serrer les capuchons à la main.
- Lorsque l'on doit connecter plusieurs conducteurs, échelonner les connexions.



**OMETTRE LA MISE À LA TERRE PERMANENTE DE LA POMPE, DU MOTEUR OU DES COMMANDES AVANT LE BRANCHEMENT À LA SOURCE DE COURANT PEUT CAUSER UN CHOC ÉLECTRIQUE, DES BRÛLURES OU LA MORT.**

### Utilisation

- Dans le cas d'un entreposage de longue durée, vérifier le niveau d'huile du compartiment moteur comme suit avant d'utiliser l'appareil :
  - Compartiment moteur – Placer la pompe debout et enlever le bouchon de remplissage (358E) du compartiment. Ne rien laisser tomber dans ce dernier. Le niveau de l'huile devrait dépasser le dessus du moteur. Au besoin, remplir avec l'huile appropriée. **NE PAS** en mettre trop.
  - Presse-garniture du câble – Vérifier si le fouloir de presse-garniture du câble d'alimentation est serré au couple indiqué à l'étape 10 de la section « **REMPLACEMENT DU CÂBLE D'ALIMENTATION** ».
- Avant de descendre une pompe à moteur triphasé dans un puits collecteur, on devrait la mettre en marche, puis l'arrêter immédiatement tout en l'observant pour s'assurer qu'elle tourne dans le sens indiqué par la flèche sur l'enveloppe de moteur (341). S'il s'agit d'un système à double pompe, vérifier le sens de rotation de chacune.

**AVIS :** AU DÉMARRAGE, LE COUPLE MOTEUR IMPRIME À LA POMPE UN MOUVEMENT DE TORSION DANS LE SENS OPPOSÉ À CELUI DE LA ROUE (IMPULSEUR). S'ASSURER QUE LA POMPE EST ASSUJETTIE CORRECTEMENT.



**ÉVITER LES BLESSURES GRAVES : NE PAS S'INTRODUIRE LA MAIN DANS L'ORIFICE D'ASPIRATION DE LA POMPE PENDANT LA VÉRIFICATION DU SENS DE ROTATION.**

**AVIS :** NE PAS INTERVERTIR LES FILS DU PRIMAIRE DANS LE TABLEAU DE COMMANDE DES SYSTÈMES À POMPE DOUBLE À MOTEURS TRIPHASÉS AFIN DE NE PAS INVERSER LE SENS DE ROTATION DES DEUX POMPES.

- Si le ou les moteurs triphasés tournent dans le mauvais sens, intervertir deux des fils d'alimentation du moteur dans le tableau de commande.



**LES DÉTECTEURS DE SURCHAUFFE ET DE SURINTENSITÉ DU MOTEUR PEUVENT PROVOQUER LE REDÉMARRAGE AUTOMATIQUE ET IMPRÉVU DU MOTEUR ET CAUSER AINSI DES BLESSURES GRAVES.**

- Après avoir posé la pompe dans l'installation de confinement et s'être assuré(e) que la hauteur d'immersion était suffisante, ouvrir le robinet de refoulement au complet. Commander le démarrage de l'appareil manuellement. Un débit sensiblement inférieur au débit nominal peut être dû à la présence de poches d'air, que l'on éliminera par la mise en marche manuelle du moteur par à-coups répétés.
- Faire mesurer l'intensité de courant par un électricien pour les moteurs monophasés ou pour chaque phase (PH) des moteurs triphasés. Inscrire ensuite ces valeurs dans la section « **INFORMATIONS POUR LE PROPRIÉTAIRE** » pour référence ultérieure.
- L'appareil est maintenant prêt à fonctionner dans des conditions normales. Placer les commandes en mode automatique.

### Entretien



**OMETTRE LE VERROUILLAGE DE LA SOURCE D'ALIMENTATION ÉLECTRIQUE EN POSITION OUVERTE AVANT D'EFFECTUER UN TRAVAIL D'ENTRETIEN SUR LA POMPE PEUT CAUSER UN CHOC ÉLECTRIQUE, DES BRÛLURES OU LA MORT.**



**ON DOIT RINCER ET DÉSINFECTER L'INTÉRIEUR ET L'EXTÉRIEUR DE LA POMPE AVANT D'EFFECTUER L'ENTRETIEN.**

### Entretien périodique

**AVIS :** LES INSPECTIONS PÉRIODIQUES SONT NÉCESSAIRES ET DEVRAIENT ÊTRE EXÉCUTÉES CONFORMÉMENT À LA FRÉQUENCE ET AU PROGRAMME D'ENTRETIEN CI-DESSOUS.

## FRÉQUENCE

## ENTRETIEN NÉCESSAIRE

TOUS LES MOIS

- Systèmes à pompe double – Vérifier si les pompes ont le même temps de fonctionnement. Des temps différents indiquent une pompe, une commande ou un contacteur à flotteur défectueux.
- S'assurer que les flotteurs se déplacent librement.

### Démontage et remontage

#### AVERTISSEMENT

Tension  
dangereuse

**OMETTRE LE VERROUILLAGE DE LA SOURCE D'ALIMENTATION ÉLECTRIQUE EN POSITION OUVERTE AVANT D'EFFECTUER UN TRAVAIL D'ENTRETIEN SUR LA POMPE PEUT CAUSER UN CHOC ÉLECTRIQUE, DES BRÛLURES OU LA MORT.**

**AVIS :** SUIVRE TOUTES LES CONSIGNES DE SÉCURITÉ ET DE LEVAGE FIGURANT DANS LE PRÉSENT MANUEL.

- Sortir la pompe du puits collecteur d'eaux d'égout conformément aux directives sur le système à rail de guidage.

#### AVERTISSEMENT



Les produits biologiques dangereux peuvent avoir de graves conséquences pour la santé.

**ON DOIT RINCER ET DÉSINFECTER L'INTÉRIEUR ET L'EXTÉRIEUR DE LA POMPE AVANT D'EFFECTUER L'ENTRETIEN.**

### REPLACEMENT DE LA GARNITURE (JOINT) MÉCANIQUE

1. Suivre **TOUTES** les directives de cette section (« **DÉMONTAGE ET REMONTAGE** »).
2. Pour atteindre la roue et la garniture mécanique, ôter les 4 vis de fixation à tête hexagonale (372D) du corps de pompe (100), enlever ce dernier et jeter le joint d'étanchéité (351).

#### ATTENTION



Les pressions dangereuses peuvent causer des blessures et des dommages matériels.

**OMETTRE D'ENLEVER LE BOUCHON DE VIDANGE AVEC PRÉCAUTION PEUT CAUSER UN JAILLISSEMENT D'HUILE CHAUDE ET, AINSI, DES BLESSURES ET DES DOMMAGES MATÉRIELS.**

3. Il faut vidanger l'huile isolante spéciale du compartiment moteur avant d'enlever la garniture mécanique (387) : dévisser le bouchon de vidange et vider l'huile dans un récipient propre de capacité appropriée (voir le volume d'huile dans les « **DONNÉES TECHNIQUES** »).
4. Pour enlever la roue (101), il est parfois nécessaire de la chauffer ainsi que son contre-écrou (304) – moteurs triphasés seulement – avec un chalumeau. Ne pas trop chauffer la roue pour ne pas endommager la garniture mécanique. Empêcher la roue de tourner, puis dévisser le contre-écrou (**SENS ANTIHORAIRE**). Insérer un tournevis dans le bout d'arbre pour bloquer l'arbre, puis dévisser la roue dans le **SENS ANTIHORAIRE**.

5. Enlever et jeter la garniture mécanique, y compris son élément fixe. **NE PAS** endommager l'arbre de moteur ni le siège de l'élément fixe.
6. Inspecter et nettoyer le siège de l'élément fixe.
7. Pour poser un élément fixe neuf dans le logement de garniture, enduire le siège de l'élément et l'arbre d'huile isolante propre. Avec le mandrin de mise en place (outil Goulds n° A02A013) de la garniture mécanique, pousser l'élément fixe à angle droit et à fond dans le logement.
8. Au moyen d'un linge propre non pelucheux, essuyer l'huile isolante et les débris de la surface de l'élément fixe. **NE PAS** érafler ni endommager celle-ci.
9. Enduire d'huile isolante propre la surface intérieure en élastomère de l'élément mobile de la garniture. À l'aide du mandrin Goulds précité, pousser l'élément mobile à fond contre l'élément fixe. Enlever le mandrin.
10. Visser (**SENS HORAIRE**) la roue à fond sur l'arbre après avoir appliqué du Loctite<sup>MC</sup> n° 271 sur les filets de la roue. S'il y a un contre-écrou, le visser à fond sur l'arbre.
11. Remplir le compartiment moteur avec de l'huile isolante spéciale jusqu'à ce que le niveau soit à 13 mm (½ po) du logement. Enrouler de ruban de Téflon<sup>MC</sup> les filets du bouchon de vidange, puis visser celui-ci à fond.
12. Mettre le corps de pompe et son joint d'étanchéité neuf en place et les fixer avec les quatre vis de fixation à tête hexagonale du corps de pompe, serrées tour à tour à 47 N·m (35 lbf·pi).

**AVIS :** UNE FOIS LE DÉMONTAGE OU LE REMONTAGE ACHEVÉ, SUIVRE LES DIRECTIVES DES SECTIONS « **CÂBLAGE ET MISE À LA TERRE** » ET « **UTILISATION** » DU MANUEL.

### REPLACEMENT DU CÂBLE D'ALIMENTATION

1. Pour atteindre les vis de fixation de l'enveloppe de moteur, suivre les étapes 1 à 6 de la section précédente (« **REPLACEMENT DE LA GARNITURE MÉCANIQUE** »).
  2. Enlever de l'enveloppe de moteur le presse-garniture (484B) du câble d'alimentation et tirer le câble.
  3. Enlever les quatre vis à tête cylindrique à six pans creux (371C) assujettissant l'enveloppe de moteur et retirer celle-ci avec soin. **NE PAS** endommager le câble d'alimentation.
  4. Déconnecter les fils du câble d'alimentation des bornes du moteur (338).
  5. Sortir le câble de l'enveloppe de moteur, l'inspecter et le changer au besoin selon les directives fournies.
- AVIS :** JETER LE PRESSE-GARNITURE DU CÂBLE, CAR ON NE PEUT LE RÉUTILISER.
6. Poser un presse-garniture neuf au câble d'alimentation en plaçant d'abord le fouloir à tête hexagonale, puis la rondelle et la garniture. Insérer le câble dans son orifice, sur l'enveloppe. Faire pénétrer dans l'enveloppe la longueur de câble nécessaire à la connexion des fils. **NE PAS** serrer le fouloir.

7. Brancher les conducteurs au moteur comme suit :

- Moteurs monophasés – Connecter le conducteur **NOIR** à la borne L1 du moteur, le **BLANC**, à la borne L2 et le **VERT**, à la borne de terre.
- Moteurs triphasés – Voir la figure 1.



**LA CONNEXION DES CONDUCTEURS AUX MAUVAISES BORNES PEUT ENTRAÎNER UN CHOC ÉLECTRIQUE, DES BRÛLURES OU LA MORT.**

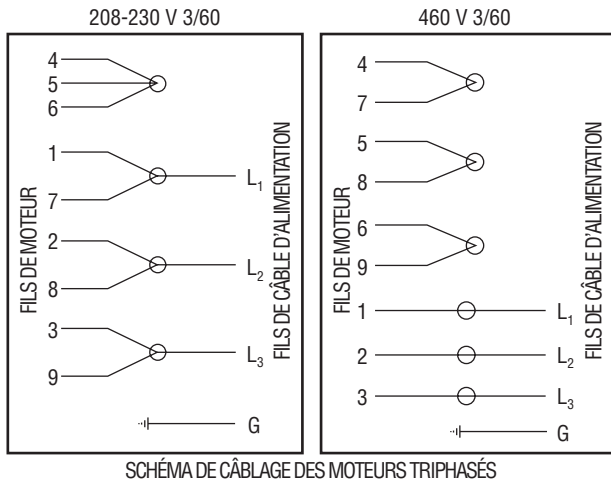


Figure 1

- Fixer le câble d'alimentation au moteur avec un fil.
- Remettre l'enveloppe de moteur en place tout en tirant la longueur excédentaire du câble d'alimentation avec soin hors de l'enveloppe. **NE PAS** endommager le câble. Poser et serrer à 10 N·m (90 lbf·po) les quatre vis à tête à six pans creux assujettissant l'enveloppe au logement de roulement.
- Poser le presse-garniture du câble d'alimentation : serrer la bague en nylon à 8,5 N·m (75 lbf·po) et celle en acier à 11,3 N·m (100 lbf·po).
- Continuer le remontage en suivant les étapes 7 à 12 de la section précédente, « **REMPLACEMENT DE LA GARNITURE MÉCANIQUE** ».
- Si l'on a remplacé l'enveloppe de moteur, on doit poser la plaque signalétique Goulds sur la nouvelle enveloppe à l'aide de deux vis à chasser à tête ronde en inox n° 2.

**AVIS :** UNE FOIS LE DÉMONTAGE OU LE REMONTAGE ACHÉVÉ, SUIVRE LES DIRECTIVES DES SECTIONS « **CÂBLAGE ET MISE À LA TERRE** » ET « **UTILISATION** » CI-DESSUS.

## REMPLACEMENT DU CONDENSATEUR DE DÉMARRAGE

- Pour atteindre le condensateur de démarrage (moteurs monophasés), suivre les étapes 1 à 5 de la section précédente, « **REMPLACEMENT DU CÂBLE D'ALIMENTATION** ».

**AVIS :** JETER LE PRESSE-GARNITURE DU CÂBLE D'ALIMENTATION, CAR ON NE PEUT LE RÉUTILISER.



**OMETTRE DE DÉCHARGER LE CONDENSATEUR AVANT D'EFFECTUER L'ENTRETIEN PEUT CAUSER UN CHOC ÉLECTRIQUE GRAVE.**

- Déposer la vis et la ferrure de fixation du condensateur au moteur. Déconnecter les deux fils du condensateur, puis jeter ce dernier.
- Connecter les deux fils au condensateur neuf, puis assujettir celui-ci au moteur avec la ferrure et la vis, serrée à fond.
- Remonter l'appareil en suivant les étapes 6 à 12 de la section précédente, « **REMPLACEMENT DU CÂBLE D'ALIMENTATION** ».

**AVIS :** UNE FOIS LE DÉMONTAGE OU LE REMONTAGE ACHÉVÉ, SUIVRE LES DIRECTIVES DES SECTIONS « **CÂBLAGE ET MISE À LA TERRE** » ET « **UTILISATION** » CI-DESSUS.

## REMPLACEMENT DU MOTEUR

- Pour atteindre le moteur, suivre les étapes 1 à 5 de la section précédente, « **REMPLACEMENT DU CÂBLE D'ALIMENTATION** ».

**AVIS :** JETER LE PRESSE-GARNITURE DU CÂBLE D'ALIMENTATION, CAR ON NE PEUT LE RÉUTILISER.

- Enlever les quatre boulons traversants du moteur et séparer le moteur du logement de roulement avec soin. On **DOIT** faire effectuer les entretiens de moteur plus poussés dans un atelier spécialisé dans la réparation de moteurs.
- Insérer l'arbre du moteur dans le logement de roulement et, par les orifices de ventilation inférieurs du moteur, aligner les trous de passage des boulons traversants.
- Poser et serrer les quatre boulons traversants du moteur à 4 N·m (35 lbf·po).
- Pour achever le remontage, suivre les étapes 6 à 12 de la section précédente, « **REMPLACEMENT DU CÂBLE D'ALIMENTATION** ».

**AVIS :** UNE FOIS LE DÉMONTAGE OU LE REMONTAGE ACHÉVÉ, SUIVRE LES DIRECTIVES DES SECTIONS « **CÂBLAGE ET MISE À LA TERRE** » ET « **UTILISATION** » CI-DESSUS.

## Données techniques

Grosseur maximale des solides			Immersion min., sous le dessus de l'envel. moteur	152 mm	6 po
3885	19 mm	¾ po	N <sup>bre</sup> min. de démarrages/h, répartis uniformément		6
3886 et 3887	50 mm	2 po	Température de service max.		
Épaisseur min. du corps de pompe	8 mm	5/16 po	Service continu	40 °C	104 °F
Surépaisseur pour corrosion, corps de pompe	3 mm	1/8 po	Service intermittent	60 °C	140 °F
Pression de service min.	380 kPa	55 lb/po <sup>2</sup>	Volume d'huile du compartiment moteur	4,3 L	4,5 pte US

### DONNÉES ÉLECTRIQUES – 3885

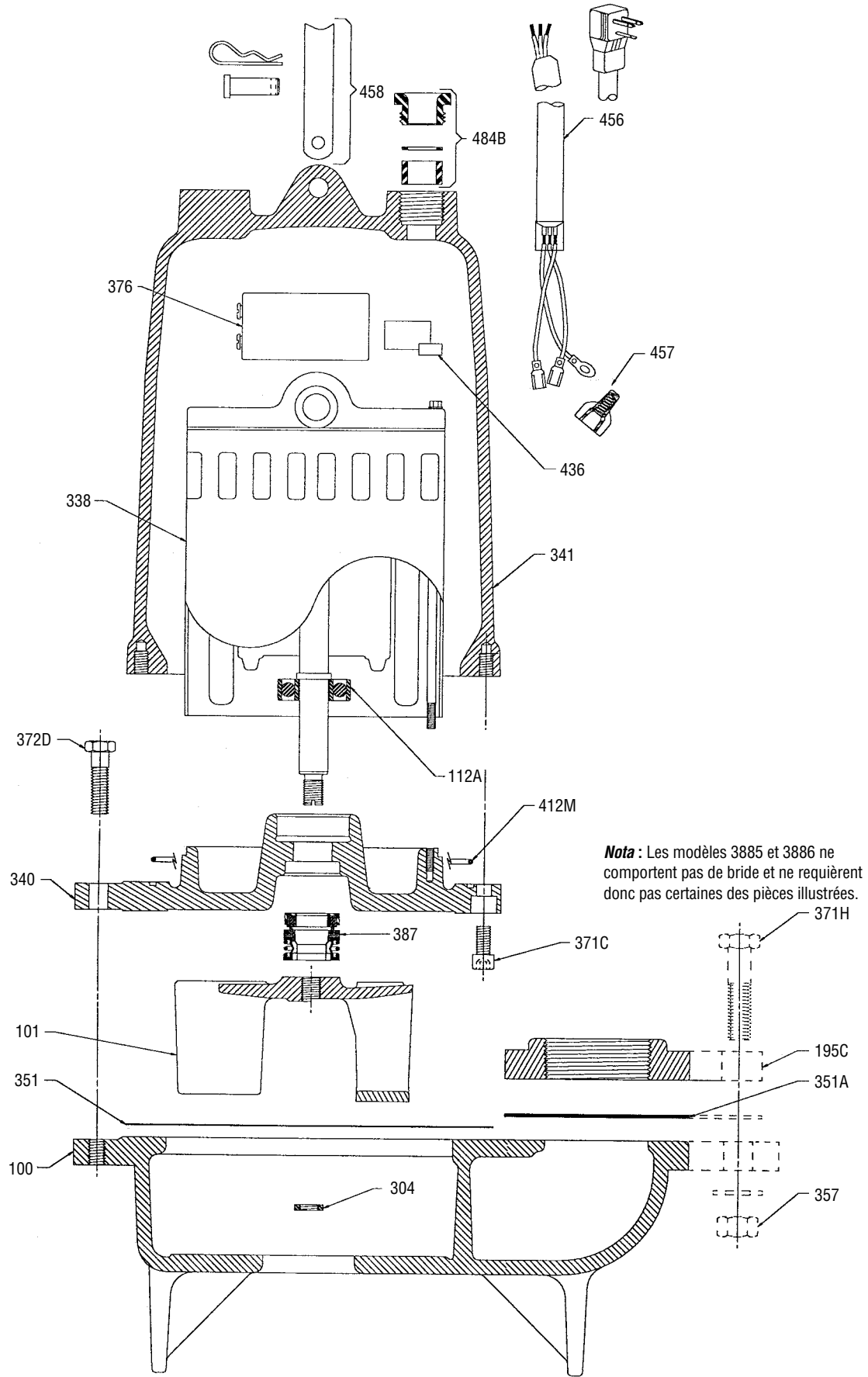
hp	tr/min	Tension	PH/Hz	Intensité (A)	Code kVA	Résist. ligne à ligne, enroulements (ohms)	Câble d'alim. (AWG)	Fusible ou disjoncteur (A)
1/3	1 725	115	1/60	9,4	M	1,92	16/3	15
1/3	1 725	230	1/60	4,7	N	7,58	16/3	10
1/2	3 450	115	1/60	14,5	M	1,00	16/3	20
1/2	3 450	230	1/60	7,3	M	4,03	16/3	10
1/2	3 450	200	3/60	3,9	R	3,8	14/4	10
1/2	3 450	230/460	3/60	3,4/1,7	R	5,81/23,24	14/4	10/10
3/4	3 450	230	1/60	10,0	J	2,99	14/3	15
3/4	3 450	200	3/60	6,2	L	5,7	14/4	10
3/4	3 450	230/460	3/60	5,4/2,7	L	4,04/16,15	14/4	10/10
1	3 450	230	1/60	12,5	J	2,09	14/3	20
1	3 450	200	3/60	8,1	M	2,6	14/4	10
1	3 450	230/460	3/60	7,0/3,5	L	4,04/16,15	14/4	10/10
1 1/2	3 450	230	1/60	15,0	H	1,16	14/3	20
1 1/2	3 450	200	3/60	10,6	K	1,9	14/4	15
1 1/2	3 450	230/460	3/60	9,2/4,6	K	2,87/11,46	14/4	15/10
2	3 450	230	1/60	18,0	F	M-1,1/S-2,2	14/3	20
2	3 450	200-230/460	3/60	12,0-11,6/5,8	K	1,66/6,62	14/4	15/10

### DONNÉES ÉLECTRIQUES – 3886 ET 3887

1/3	1 725	115	1/60	9,8	M	1,92	16/3	15
1/3	1 725	230	1/60	4,9	N	7,58	16/3	10
1/2	1 725	115	1/60	14,5	N	1,6	16/3	20
1/2	1 725	230	1/60	7,3	K	6,4	16/3	10
1/2	1 725	200	3/60	3,8	K	6,55	14/4	10
1/2	1 725	230/460	3/60	3,3/1,7	K	9,9/39,4	14/4	10/10
3/4	1 725	230	1/60	9,4	J	5,9	14/3	15
3/4	1 725	200	3/60	4,1	H	4,3	14/4	10
3/4	1 725	230/460	3/60	3,6/1,8	J	5,6/22,4	14/4	10/10
1	1 725	230	1/60	12,3	H	2,6	14/3	20
1	1 725	200	3/60	6,0	H	4,3	14/4	10
1	1 725	230/460	3/60	5,8/2,9	J	5,6/22,4	14/4	10/10

### DONNÉES ÉLECTRIQUES – 3887BHF

1/3	1 725	115	1/60	12,4	M	1,00	16/3	15
1/3	1 725	230	1/60	6,2	M	4,03	16/3	10
1/2	3 450	115	1/60	14,5	M	1,00	16/3	20
1/2	3 450	230	1/60	7,6	M	4,03	16/3	10
1/2	3 450	200	3/60	4,1	R	3,8	14/4	10
1/2	3 450	230/460	3/60	3,6/1,8	R	5,81/23,24	14/4	10/10
3/4	3 450	230	1/60	9,4	J	2,99	14/3	15
3/4	3 450	200	3/60	6,2	L	5,7	14/4	10
3/4	3 450	230/460	3/60	5,4/2,7	L	4,04/16,15	14/4	10/10
1	3 450	230	1/60	14,5	J	2,1	14/3	20
1	3 450	200	3/60	8,6	M	2,6	14/4	10
1	3 450	230/460	3/60	7,5/3,8	L	4,0/16,2	14/4	10/10
1 1/2	3 450	230	1/60	18,0	F	M-1,1/S-2,2	14/3	20
1 1/2	3 450	200-230/460	3/60	10,0-9,6/4,8	K	1,66/6,62	14/4	15/10
2	3 450	230	1/60	18,0	F	M-1,1/S-2,2	14/3	20
2	3 450	200-230/460	3/60	12,0-11,6/5,8	K	1,66/6,62	14/4	15/10





## Pièces de rechange et matériaux – modèle 3885

N° d'art.	Article	Matériau	Nbre	N° de pièce de rechange						Poids max. (lb)
				1 725 tr/min		3 450 tr/min				
				1/3 hp	1/2 hp	3/4 hp	1 hp	1 1/2 hp	2 hp	
100	Corps de pompe – 1/3 hp, modèle L seulement	Fonte	1	1K171	s.o.					13,0
	Corps de pompe – tous les autres modèles			1K170						
101	Roue	Fonte	1	2K158	2K220	2K219	2K218	2K217	2K840	2,0
	Roue	Bronze		2K271	2K272	2K273	2K274	2K275	2K841	2,5
	Roue – hauteur de charge élevée	Fonte		s.o.	2K225 HH	s.o.	s.o.	2K221HH	s.o.	3,5
	Roue – hauteur de charge élevée	Bronze		s.o.	2K276 HH	s.o.	s.o.	2K277 HH	s.o.	4,0
112A	Roulement à billes inférieur	Acier	1	4K132				4K384	–	
112B	Roulement à billes supérieur	Acier	1	4K132						–
218	Huile isolante, quantité requise (gallons US)	Huile pour turbines Sunvis 932, Convis 150	1	4K432 (5 gallons)						7,5 lb/gal US
				1,2 gallons						
304	Contre-écrou – roue (3 PH seulement)	inox AISI, série 300	1	13K6						–
338	Moteur	Inox, rallonge courte	1	118-121R	118-1222R	s.o.	s.o.	s.o.	s.o.	13,0 to 24,0
				118-122R	118-1223R	118-1232R	118-1233R	118-1334R	120-845R	
				s.o.	118-1321R	118-1322R	118-1323R	118-1324R	120-8425R	
				s.o.	118-1333R	118-1334R	118-1335R	118-1336R	120-8425R	
340	Logement de roulement	Fonte	1	1K167				1K332	10,0	
341	Enveloppe de moteur (compartiment)	Fonte	1	1K207	1K207	1K208	1K208	1K208	1K208	23,0
				1K208						
351	Joint d'étanchéité – corps de pompe	Composite	1	5K170						–
358E	Bouchon, 3/8 po NPT – enveloppe de moteur	Acier	1	6K3						–
371C	Vis à pans creux – logem. roulem.-envel. moteur	Inox AISI, série 300	2	13K210						–
372D	Vis, tête hexag. – logem. garnit.-corps pompe	Inox AISI, série 300	4	13K186						–
376	Condensateur (1 PH seulement)	Varie	1	1K197	9K197	9K197	9K197	9K197	275470130	–
				s.o.	s.o.	s.o.	s.o.	s.o.	279342110	
387	Garniture mécanique standard	Carbure de silicium	1	10K63 (John Crane, Type 6)				10K71	–	
	Garniture mécanique en option	Carbure de tungstène	1	10K30 (John Crane, Type 21)				10K72	–	
412M	Joint torique – enveloppe de moteur	BUNA-N, AS 568A-166	1	4K252						–
436	Contacteur transistorisé			s.o.					294811980	
456	Câble d'alimentation		1	V. tableau ci-dessous						–
457	Raccord de fils écrou (câble d'alim.)	Corps en nylon	4	9K145						–
			6	9K145						–
458	Ensemble poignée de levage	Inox AISI, série 300	1	4K243						–
484B	Presse-garniture (Câble d'alim.)	Varia	1	5K113	5K113	5K111	5K111	5K111	5K111	–
			1	s.o.	5K111					–
	Loctite n° 271		1	AL271121						–

s.o. = sans objet

Description des câbles d'alimentation – modèle 3885	Type et calibre AWG	Long. standard*	Long. en option			Poids (lb/5 pi)
		20 pi	30 pi	50 pi	100 pi	
<b>Câbles d'alimentation</b>						
1 PH: 1/3 and 1/2 hp, 115 V; câble standard avec fiche et en option avec bouts dénudés	SJTOW – 16/3	9K165	9K214	9K215	s.o.	0,5
1PH: 1/3 and 1/2 hp, 230 V; câble standard avec fiche et en option avec bouts dénudés	SJTOW – 16/3	9K164	9K214	9K215	s.o.	0,5
1 PH: 3/4 – 1 1/2 hp, 230 V câble à bouts dénudés	STOW – 14/3	9K163	9K216	9K161	9K217	0,9
1 PH: 1 1/2 – 2 hp, 230 V câble à bouts dénudés	STOW – 14/3	9K266	9K267	9K268	9K269	0,9
3 PH: 1/2 – 2 hp, 208–230/460 V câble à bouts dénudés	STOW – 14/4	9K153	9K218	9K154	9K219	1,1

## Pièces de rechange et matériaux – modèles 3886 et 3887

**Nota :** Celui du 3886 (½ hp) est 1K168. Celui du 3887 (½–1 hp) est 1K178.

N° d'art.	Article	Matériau	N <sup>bre</sup>	N° de pièce de rechange						Poids max. (lb)	
				1 725 tr/min				3 450 tr/min			
				⅓ hp	½ hp	¾ hp	1 hp	1 hp	1½ hp		2 hp
100	Corps de pompe	Fonte	1	1K168 : 3886, filets NPT 1K178 : 3887, bride				1K330	16,5		
101	Roue	Fonte	1	2K268	2K239	2K240	2K241	2K242	2K800	2K798	3,0
	Roue	Bronze	1	2K279	2K280	2K281	2K282	2K283	2K801	2K799	3,5
112A	Roulem. à billes infér.	Acier	1	4K132				4K384	–		
112B	Roul. à billes supér. (non montré)	Acier	1	4K132					–		
195C	Bride, refoulem. (2 po NPT stand.)	Fonte	1	6K76					1,5		
	Bride, refoulem. (3 po NPT opt.)	Fonte	1	A1-3					1,5		
218	Huile isolante pour moteur, environ 1 gal US requis	Huile, turbines	1	4K432					7,5 lb/gal US		
304	Contre-écrou – roue (3 PH seulem.)	Inox AISI, sér. 300	1	13K6					–		
338	Moteur – 1 PH, 115 V	Inox	1	118-121R	118-123R	s. o.	s. o.	s. o.	s. o.	s. o.	13,0 à 24,0
	Moteur – 1 PH, 230 V			118-122R	118-124R	118-1212R	118-1213R	118-1233R	120-844R	120-845R	
	Moteur – 3 PH, 230/460 V			s. o.	118-132R	118-1304R	118-134R	118-1323R	s. o.	s. o.	
	Moteur – 3 PH, 200 V			s. o.	118-1314R	118-1316R	118-1316R	118-1335R	s. o.	s. o.	
	Moteur – 3 PH, 200-230/460 V			s. o.	s. o.	s. o.	s. o.	s. o.	120-8425R	120-8425R	
340	Logement de roulement	Fonte	1	1K167				1K332	10,0		
341	Enveloppe de moteur – 1 PH	Fonte	1	1K207	1K207	1K208	1K208	1K208	1K208	1K208	20,0
	Enveloppe de moteur – 3 PH			1K208							
351	Joint d'étanch. – corps de pompe	Composite	1	5K170					–		
351A	Joint d'étanch. – bride refoulem.	Composite	1	5K150					–		
357	Écrou hexagonal – bride refoulem.	Inox AISI, sér. 300	2	13K99					–		
358E	Bouchon, ⅜ po NPT – env. moteur	Acier	1	6K3					–		
371C	Vis à six pans creux – logem. roulem.–envel. moteur	Inox AISI, sér. 300	4	13K210					–		
371H	Vis, tête hexag. – bride refoulem.	Inox AISI, sér. 300	2	13K153					–		
372D	Vis, hex. – log. roul.–corps pompe	Inox AISI, sér. 300	4	13K186					–		
376	Condensateur, 1 PH seul., démarr.	Varie	1	9K197	9K197	9K235	9K235	9K197	275469128	275470130	–
	Condensateur, 1 PH seul., marche			s. o.	s. o.	s. o.	s. o.	s. o.	s. o.	279342110	
387	Garniture mécanique standard	Carbure de silicium	1	10K63 (John Crane, type 6)				10K71	–		
	Garniture mécanique en option	Carb. de tungstène	1	10K30 (John Crane, type 21)				10K72	–		
412M	Joint torique – envel. de moteur	Nitrile	1	4K252					–		
436	Contacteur transistorisé – moteur	–	1	s. o.				294612982	294811980	–	
456	Câble d'alimentation	–	1	V. tableau ci-dessous					–		
457	Racc. fils écrou, 3 PH, 200/230 V	Corps en nylon	4	9K145					–		
	Racc. fils écrou, 3 PH, 460 V		6	9K145					–		
458	Ensemble poignée de levage	Inox AISI, sér. 300	1	4K243					–		
484B	Presse-garniture (câble d'alim.)	Varie	1 PH	5K113	5K113	5K111	5K111	5K111	5K111	5K111	–
			3 PH	s. o.	5K111					–	
528	Rondelle – bride de refoulement	Inox AISI, sér. 300	2	13K82					–		
	Loctite n° 271	–	1	AL27121					–		

\*S'adresser au personnel de l'usine.

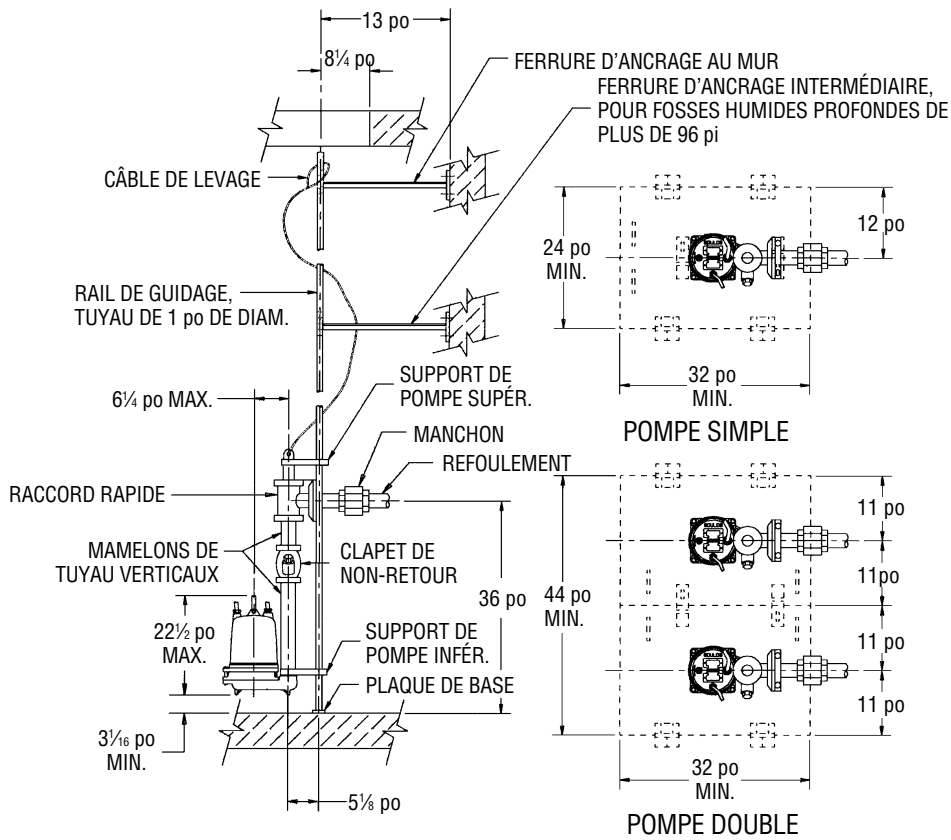
s. o. = sans objet

Description des câbles d'alimentation – modèle 3887	Type et calibre AWG	Long. standard*		Long. en option*			Poids (lb/5 pi)
		20 pi	30 pi	50 pi	100 pi		
<b>Câbles d'alimentation</b>							
1 PH : ⅓ et ½ hp, 115 V ; câble standard avec fiche ou de longueur en option avec bouts dénudés	SJTOW – 16/3	9K165	9K214	9K215	s. o.	0,5	
1 PH : ⅓ et ½ hp, 230 V ; câble standard avec fiche ou de longueur en option avec bouts dénudés	SJTOW – 16/3	9K164	9K214	9K215	s. o.	0,5	
1 PH : ¾–1 hp, 230 V ; câble à bouts dénudés	STOW – 14/3	9K163	9K216	9K161	9K217	0,9	
1 PH : 1½–2 hp, 230 V ; câble à bouts dénudés	STOW – 14/3	9K266	9K267	9K268	9K269	0,9	
3 PH : ½–2 hp, 208-230/460 V ; câble à bouts dénudés	STOW – 14/4	9K153	9K218	9K154	9K219	1,1	

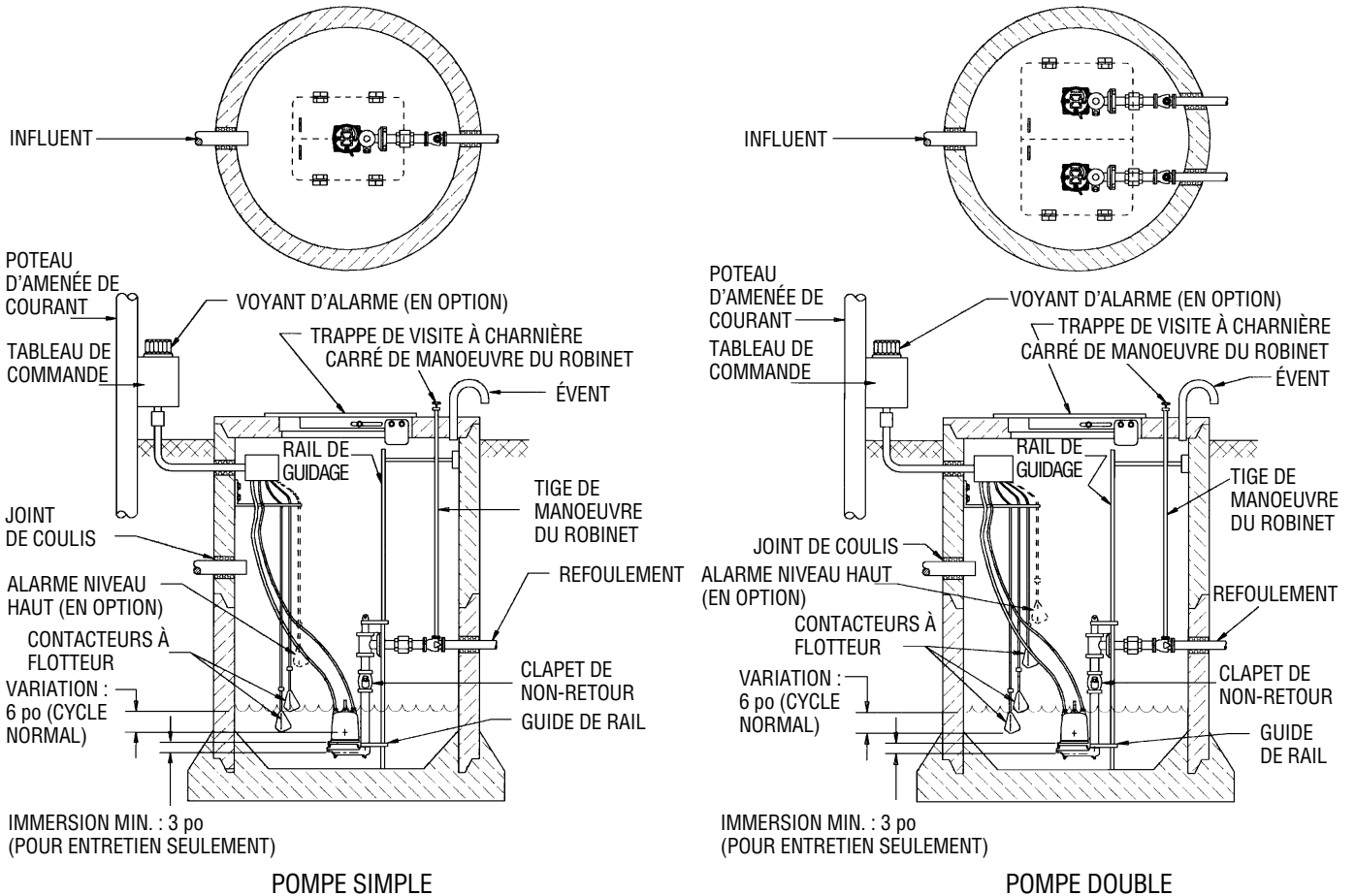
9K197 REF#G15996 1 or 624751 1 MFD 110 VAC

9K235 REF#G15996 2 189/227 MFD 110 VAC

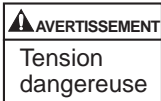
## Système à rail de guidage type de 2 po



## Installations types



## Diagnostic des anomalies



**OMETTRE LE VERROUILLAGE DE LA SOURCE D'ALIMENTATION ÉLECTRIQUE EN POSITION OUVERTE AVANT D'EFFECTUER UN TRAVAIL D'ENTRETIEN SUR LA POMPE PEUT CAUSER UN CHOC ÉLECTRIQUE, DES BRÛLURES OU LA MORT.**

ANOMALIES	CAUSES PROBABLES	CORRECTIFS RECOMMANDÉS
<b>NON-FONCTIONNEMENT DU MOTEUR</b> <b>NOTA</b> : Si le disjoncteur ne cesse de s'« OUVRIR », <b>NE PLUS</b> le réenclencher. S'adresser à un électricien.	Protecteur thermique du moteur déclenché Disjoncteur ouvert ou fusible sauté Roue grippée	Laisser le moteur refroidir. Vérifier si la hauteur d'immersion est suffisante. Enlever les débris du corps de pompe et de la roue. En déterminer la cause et s'adresser à un technicien. Mesurer le courant consommé par le moteur. Si l'intensité est d'au moins deux fois supérieure à la valeur pertinente indiquée à la section « <b>DESCRIPTION ET CARACTÉRISTIQUES</b> », la roue est grippée, ou bien les roulements ou l'arbre du moteur sont endommagés. Enlever les débris du corps de pompe et de la roue. Consulter le détaillant.
a) Commande manuelle	Câble d'alimentation endommagé	La résistance entre les fils d'alimentation doit être égale à la valeur pertinente des « <b>DONNÉES TECHNIQUES</b> », et celle entre les fils d'alimentation et la terre, infinie. Si la valeur mesurée n'est pas appropriée, appeler un électricien.
b) Commande automatique	Mauvaise connexion dans le tableau de commande Régulateur de niveau défectueux	Inspecter le câblage du tableau de commande. Appeler un électricien.  Débrancher le régulateur de niveau et en vérifier la continuité tout en actionnant son contacteur. Remplacer la pièce défectueuse au besoin.
<b>NOTA</b> : Vérifier si la pompe peut être mise en marche à la main d'abord. Si oui, la commande automatique est défectueuse. Dans la négative, voir les indications ci-dessus.	Liquide trop bas pour actionner les commandes Câbles de flotteur enchevêtrés	Laisser le liquide monter de 76 à 101 mm (3 à 4 po) au-dessus du niveau de démarrage. Démêler les câbles et s'assurer que les flotteurs se déplacent librement.
<b>NON-ARRÊT DE LA POMPE</b>	Câbles de flotteur enchevêtrés  Poche d'air dans la pompe	Démêler les câbles et s'assurer que les flotteurs se déplacent librement.  Arrêter la pompe pendant environ une minute, puis la remettre en marche. Répéter l'opération jusqu'à ce que la poche d'air s'élimine. Si le problème persiste et que le système comporte un clapet de non-retour, on peut percer un trou de 5 mm (0,188 po) dans le tuyau de refoulement à environ 51 mm (2 po) en aval du raccord de la pompe.
	Débit de l'influent égal à celui de la pompe	Il faut peut-être une pompe plus puissante.
<b>DÉBIT DE REFOULEMENT FAIBLE OU NUL</b>	Clapet de non-retour posé à l'envers, obstrué ou coincé en position fermée Hauteur de charge trop élevée du système Entrée de pompe obstruée Connexions ou tension inappropriées. Poche d'air dans la pompe Roue usée ou endommagée Régulateurs de niveau défectueux ou mal placés	Vérifier l'orientation de la flèche sur le clapet de non-retour et le fonctionnement de ce dernier. Consulter le détaillant. Inspecter et dégager l'entrée au besoin. Vérifier le sens de rotation de la pompe, la tension et le câblage. Consulter un électricien. Voir le correctif recommandé pertinent ci-dessus. Inspecter la roue et la remplacer au besoin. Inspecter, régler ou remplacer les régulateurs au besoin.
<b>CYCLE DE FONCTIONNEMENT RÉPÉTÉ SANS ARRÊT</b>	Clapet de non-retour du tuyau de refoulement défectueux Installation de confinement des eaux d'égout trop petite Régulateurs de niveau défectueux ou mal placés Débit de l'influent supérieur à celui de la pompe	Inspecter, réparer ou remplacer le clapet au besoin.  Consulter le détaillant.  Inspecter, régler ou remplacer les régulateurs au besoin. Consulter le détaillant.

### GARANTIE LIMITÉE DE GOULDS PUMPS

La présente garantie s'applique à chaque pompe de système d'alimentation en eau fabriquée par Goulds Pumps.

Toute pièce se révélant défectueuse sera remplacée sans frais pour le détaillant durant la période de garantie suivante expirant la première : douze (12) mois à compter de la date d'installation ou dix-huit (18) mois à partir de la date de fabrication.

Le détaillant qui, aux termes de cette garantie, désire effectuer une demande de règlement doit s'adresser au distributeur Goulds Pumps agréé chez lequel la pompe a été achetée et fournir tous les détails à l'appui de sa demande. Le distributeur est autorisé à régler toute demande par le biais du service à la clientèle de Goulds Pumps.

#### La garantie ne couvre pas :

- les frais de main-d'œuvre ou de transport ni les frais connexes encourus par le détaillant ;
- les frais de réinstallation de l'équipement réparé ;
- les frais de réinstallation de l'équipement de remplacement ;
- les dommages indirects de quelque nature que ce soit ;
- ni les pertes découlant de la panne.

#### Aux fins de la présente garantie, les termes ci-dessous sont définis comme suit :

- « Distributeur » signifie une personne, une société de personnes, une association ou autre entité juridique servant d'intermédiaire entre Goulds Pumps et le détaillant pour les achats, les consignations ou les contrats de vente des pompes en question.
- « Détaillant » veut dire une personne, une société de personnes, une société de capitaux, une association ou autre entité juridique dont les activités commerciales sont la vente ou la location de pompes à des clients.
- « Client » signifie une entité qui achète ou loue les pompes en question chez un détaillant. Un « client » peut être une personne, une société de personnes, une société de capitaux, une société à responsabilité limitée, une association ou autre entité juridique se livrant à quelque activité que ce soit.

**CETTE GARANTIE SE RAPPORTE AU DÉTAILLANT SEULEMENT.**

Goulds Pumps

