

FEATURED MODEL

501-308 8-1/2" & 5-1/4" bowl depths

FEATURES

- 18 gauge, 304 series stainless steel
- 18/8 chrome/nickel content
- Long-lasting, easy-to-clean, satin finish
- Rear drain placement in large bowl

OPTIONAL ACCESSORIES

Sink Grid: 221-033 (Formerly 501-914)
 Colander: 215-651

WARRANTY

Blanco America's BLANCOSPEX PLUS™ Series sinks feature a "NO HASSLE" LIMITED LIFETIME WARRANTY to be free of all manufacturing defects under normal use. See our complete warranty for details.

While Blanco America endeavors to provide accurate information, all dimensions are nominal, cannot be guaranteed, and are subject to change or cancellation. Blanco America assumes no responsibility for use of superseded or voided specifications.

PRODUCT SPECIFICATION

Undermount sink to be 1-1/2 bowl design, 32" in length and 18" in front-to-back depth. Sink to be made from 18 gauge, 304 series stainless steel, with 18/8 chrome/nickel content and satin finish. Sink to feature rear drain placement in large bowl. Sink to be Blanco Model 501-308, with large bowl depth of 8-1/2" and small bowl depth of 5-1/4".

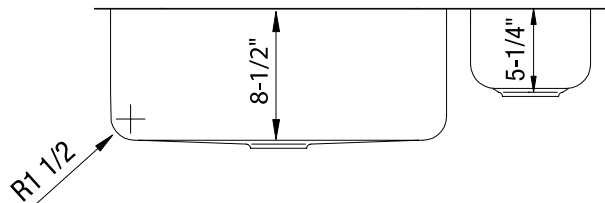
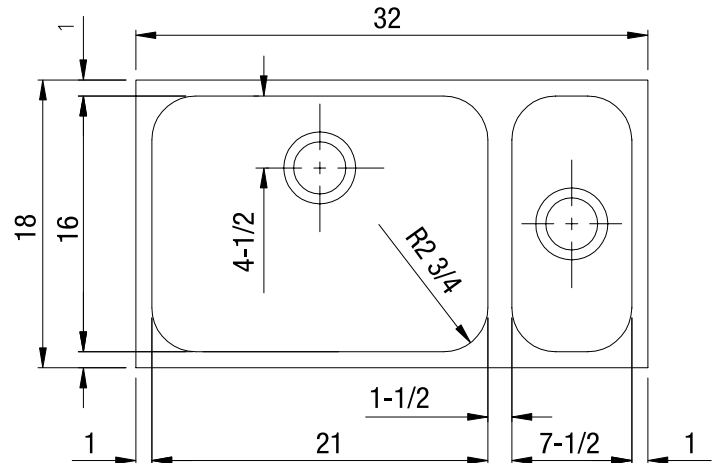


MODEL 501-308

NOMINAL DIMENSIONS

MODEL	OVERALL	CUTOUT SIZE	BOWL DEPTH LEFT	BOWL DEPTH RIGHT	DRAIN DIAMETER
501-308	32 x 18	Template provided with approximate 1/8" reveal	8-1/2	5-1/4	3-1/2

DXF cutout templates available on our web site.



JOB INFORMATION

Job Name: _____
 Contact: _____
 Date Specified: _____
 Specifier: _____
 Contractor: _____