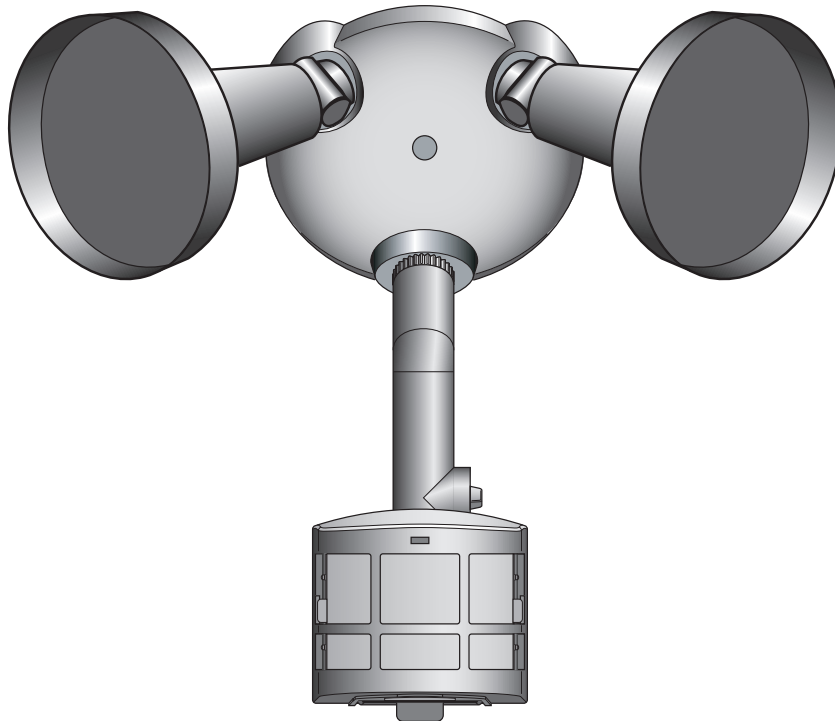


Heath/Zenith **Secure Home™**

MOTION SENSING SECURITY LIGHT

Models
SH-9250-BZ
SH-9250-WH



Contents

Introduction.....	3
Package Contents.....	4
Installation	5
Wall Mount.....	5
Eave Mount	5
Crossbar Mounting Bracket.....	6
Standard Wiring	6
Controlling Non-Motion Sensing Fixtures.....	7
Finish Mounting	8
Specifications	8
Test and Adjustment.....	9
Expected Coverage	10
Operation	12
Troubleshooting Guide.....	13
Lifetime Warranty	14

Introduction

Dear Consumer:



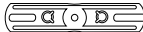

We would like to thank you for purchasing this product. You have purchased the most durable motion sensing security light available today. This product will give you many years of reliable service. We are so confident with the durability of this product that it is backed with a lifetime warranty.

Enhanced Performance Features

- ☞ Rugged gripping teeth and thumbscrews provide full three-dimension adjustment of sensor head.
- ☞ Five silicon rubber gaskets seal internal components and controls from severe environmental conditions.
- ☞ Stainless steel screws to prevent rust and corrosion.
- ☞ Built in 1.25 Mega Watt surge protection.
- ☞ A.S.I.C. (Application Specific Integrated Circuit) design allows more reliable performance.
- ☞ Range Boost option to extend range for those hard to cover areas.
- ☞ Extremely wide angle coverage (up to 270°). Adjustable with built-in lens shields.
- ☞ Easy to control other lights with your fixture (up to 1000 Watts total load).
- ☞ Expanded lens area receives more infrared light improving detection sensitivity.
- ☞ Pulse count technology reduces false sensing from wind and rain for professional reliability.
- ☞ Automatic photocell deactivates unit in daylight to save energy.
- ☞ Power outage reset. Turns light off automatically if turned on by power interruption or electrical storm.
- ☞ Selectable light timer to set the time lights stay on after motion has been detected.
- ☞ Range control allows adjustment of coverage range.
- ☞ Manual override to turn lights on/off at your convenience with existing indoor wall switch.

Package Contents

- Motion Sensor Light Fixture
- Manual
- Hardware Pack

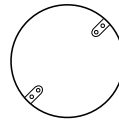
- 1 Gasket 
- 1 Hanger 
- 1 Crossbar Mounting Bracket 
- 4 Wire nuts 
- 2 #6-32 X 3/4" Screws
(for small rectangular boxes)
- 2 #8-32 X 3/8" Screws
(for circular or octagon boxes)
- 2 #10-24 X 1/2" Screws
(for water tight boxes)
- 1 M5 X 0.8 X 40 mm Screw
(fixture to mounting bracket)
- 1 Rubber Plug

Estimated Installation Time: 30 minutes

Items needed for installation (not included):

- Phillips and flathead screwdrivers
- Pliers
- Wire strippers/cutters
- Ladder
- 2 Flood lamps, 150 Watts Maximum per lamp
- Safety glasses
- Silicone caulk

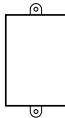
Fits All Junction Box Configurations



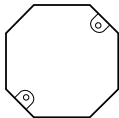
Circular



Horizontal rectangular



Vertical rectangular



Octagon

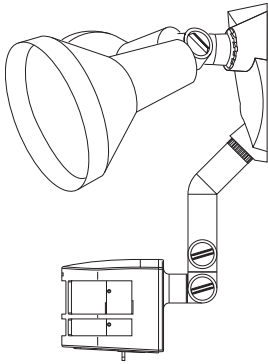
Installation

CAUTION: BEFORE STARTING THE INSTALLATION, TURN THE POWER OFF AT THE CIRCUIT BREAKER.

If you want to use the Manual Override feature you will need to install the fixture on a circuit controlled by a switch.

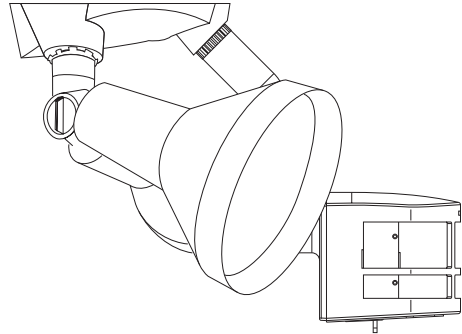
Wall Mount

- Loosen the thumbscrews holding the sensor head and lampheads.
- Adjust the various parts so that the fixture looks similar to this illustration.
- Finger tighten the thumbscrews at this time.



Eave Mount

- Loosen the thumbscrews holding the sensor head and lampheads.
- Adjust the various parts so that the fixture looks similar to this illustration.
- Finger tighten the thumbscrews at this time.



Mount Fixture with Crossbar Mounting Bracket

- ❑ Turn power off at the fuse or circuit breaker.
- ❑ Remove the existing light fixture (if applicable).
- ❑ Install the mounting bracket as shown using two screws supplied in hardware pack that fit your junction box:

Rectangular Junction Box - Use two #6-32 x 3/4" screws.

Circular or Octagonal Junction Box - Use two #8-32 x 3/8" screws.

Watertight Junction Box - Use two #10-24 x 1/2" screws.

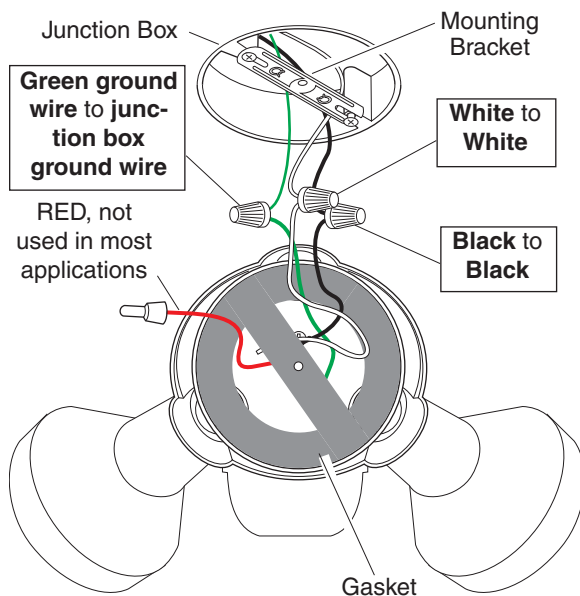
- ❑ The plastic hanger can be used to hold the fixture while wiring. The small end of the plastic hanger can be threaded through the hole in the center of the cover plate. The small end then goes into one of the slots on the mounting bracket.
- ❑ Route the Light Control's wires through the large gasket holes.

Standard Wiring

CAUTION: If you have not already turned the power off at the breaker or fuse, do so now.

Connect the junction box wires to the fixture wires. Twist together and secure with wire connectors.

CAUTION: If you are not controlling additional fixtures from your security light fixture, DO NOT connect the RED wire or remove wire connector.

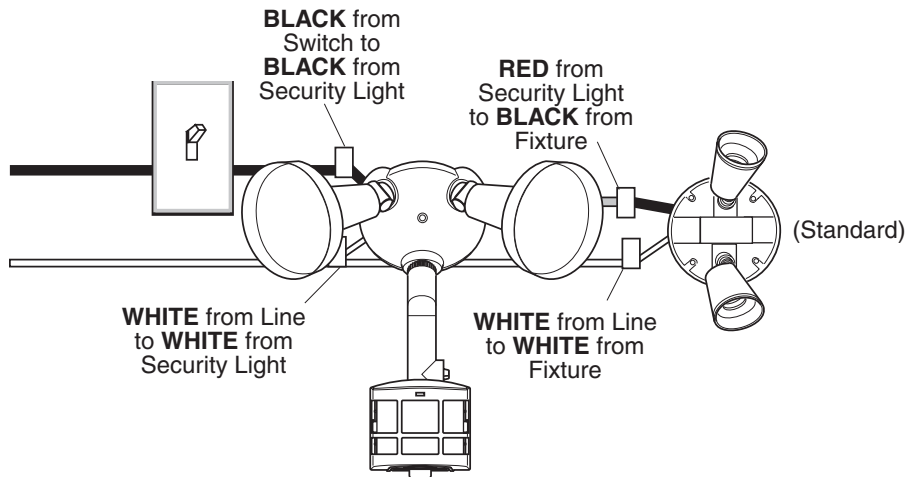


Controlling Non-Motion Sensing Fixtures

- ❑ **When wiring to additional standard fixture only:** Strip the motion sensor's **red** wire and connect to the standard light's **black** wire. Connect all white wires together. Total fixture ratings must not exceed 1000 Watts (8.3 A).

NOTE: All wiring between fixtures should be run in accordance with the National Electrical Code (Canadian Electrical Code in Canada) through conduit or another acceptable means. **Contact a qualified electrician if there is any question as to the suitability of the system.**

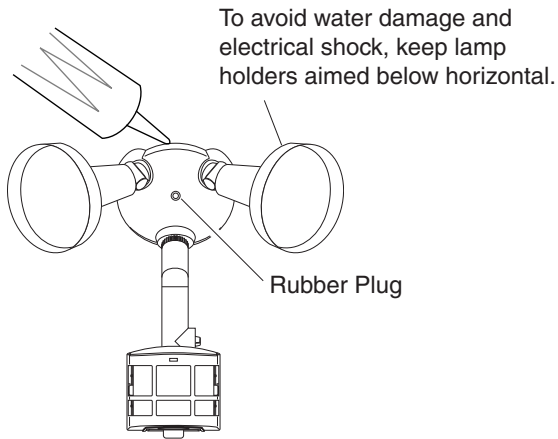
- ❑ This fixture is provided with a sensor rated for 1000 Watts. Since the fixture is only rated 300 Watts, 700 Watts of additional load may be controlled by this sensor.
- ❑ When determining what a fixture is rated for, do not simply look at the rating on the lamp in the fixture. Look at the marking which specifies the maximum lamp wattage for which the fixture is suitable.
- ❑ Once you have selected the fixtures to be connected and determined their maximum ratings, add these ratings up. For instance, if you have 3 fixtures rated 100 Watts, 150 Watts, and 75 Watts respectively, you have a total load of 325 Watts.



Wiring to a Motion Light & Standard Fixture

Finish Mounting

- ❑ Align the cover plate, gasket, and the mounting bracket hole. Secure with M5 x 0.8 x 40 mm mounting screw supplied.
- ❑ Push the rubber plug firmly into place.
- ❑ If not installed on a weatherproof box, **caulk between the cover plate and mounting surface** with silicone weather sealant.
- ❑ Adjust the lamp holders by loosening the thumb screws but do not rotate the lamp holders more than 180° from the factory setting. When screwing in the floodlamps, do not overtighten.



Specifications

Range 70 feet (21.0 m); 100 feet (30.5 m) with Range Boost. Varies with surrounding temperature.

Sensing Angle Up to 270° (Adjustable)

Fixture Load Up to 300 Watts Maximum Tungsten Incandescent [Up to 150 Watts maximum each lamp holder.]

Sensor Load Capacity . . . Up to 1000 Watts (8.3 amps) Maximum Tungsten Incandescent

Power Requirements . . . 120 VAC, 60 Hz

Operating Modes TEST, AUTO, and MANUAL OVERRIDE

Time Delay 1, 5, 20 minutes

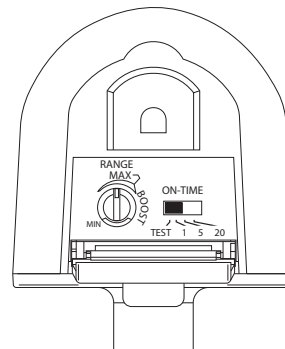
HeathCo LLC reserves the right to discontinue products and to change specifications at any time without incurring any obligation to incorporate new features in products previously sold.

Test and Adjustment

NOTES: When first turned on wait about 1 1/2 minutes for the circuitry to calibrate.

Testing with Range Boost on during day-light may result in abnormal operation.

- Turn on the circuit breaker and light switch.
- Open the control access cover (on bottom of unit) by pulling down on the tab of the metal door.
- Turn the Range control to the center of its adjustment and the ON-TIME to TEST position.



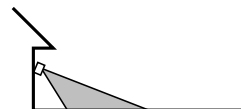
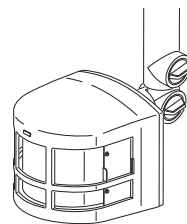
Sensor Bottom

Do not aim the sensor at:

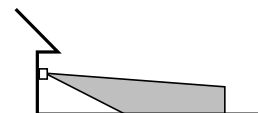
- Objects that change temperature rapidly, such as **heating vents and air conditioners**, to help avoid false triggering.
- Where **pets or traffic** may trigger the control.
- **Nearby large, light-colored objects** reflecting light may trigger the shut-off feature. Do not point other lights at the sensor.

Adjustments Continued . . .

- Loosen the two thumb screws. Estimate the direction to aim the sensor and tighten the thumbscrews just enough to hold the sensor in place.
NOTE: The top screw allows the sensor to rotate side to side. The bottom screw allows the sensor to rotate up and down.
- Walk through the coverage area noting where you are when the lights turn on (also, the LED will flash several times when motion is detected). Loosen the thumbscrews and readjust the sensor as necessary. Tighten the thumbscrews (finger tight) when you are satisfied with the coverage direction. **Keep the sensor at least 1 inch (25 mm) from lamps and keep the controls facing downward.**
- Adjust RANGE as needed to increase or decrease the range. Too much sensitivity may cause false triggering in some environments.
- For maximum range, the sensor must be aiming straight out.
- Set the amount of TIME (1, 5, or 20 minutes) you want the lights to stay on after motion is detected at night.
- Release the tab on metal door to allow door to close.



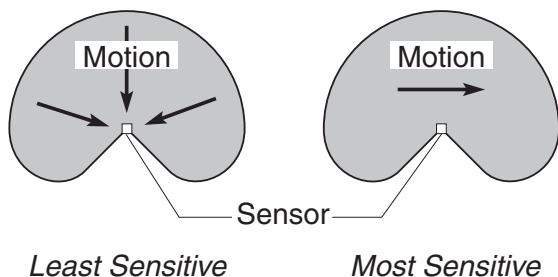
Aim Sensor Down for Short Coverage



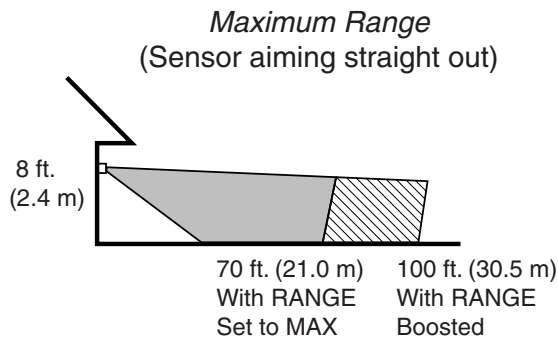
Aim Sensor Out for Long Coverage

Expected Coverage

The sensor is less sensitive to motion directly towards it, most sensitive to motion across its field of view.

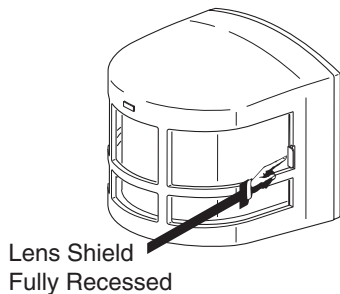
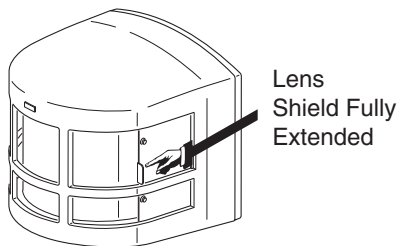


When mounted 8 feet (2.4 m) from the ground, you may expect the range shown below. If mounted much higher the sensor may miss objects near the ground. If mounted much lower the sensor range may be reduced.

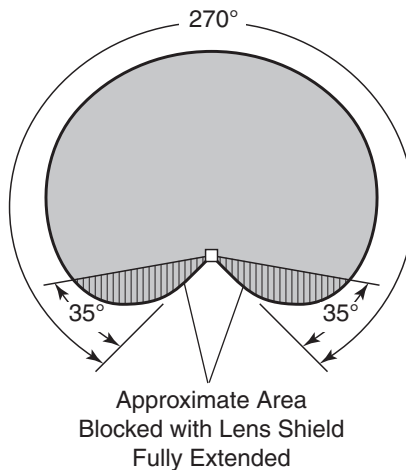


If the wide angle (270°) coverage is too wide for your application, you may need to use one or both shields to reduce the coverage angle.

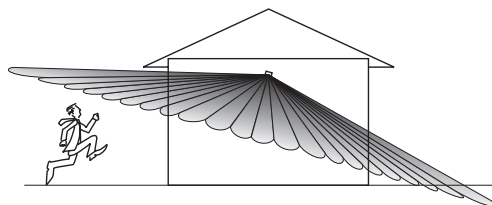
- Decide which side of the lens you want to cover.
- Pull the lens shield out to block a portion of the lens. Each lens shield will reduce the coverage area by approximately 35° when fully extended.



Maximum Coverage Angle (Without Lens Shield)



If the sensor is not kept level you may experience an apparent decrease in range because objects may pass under the detection zone without being detected.



Operation

Mode:	On-Time:	Works:	Day	Night
Test	5 Sec		x	x
Auto	1, 5, or 20 min.			x
Manual	Until Dawn*			x

* resets to Auto Mode at dawn.

RANGE

Turn Range control to the desired setting.



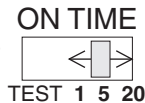
TEST MODE

Slide the ON-TIME switch to TEST and turn the Range control to the center of its adjustment.



AUTO MODE

Put the ON-TIME switch in the 1, 5, or 20 minute position.

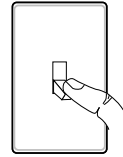


MANUAL MODE

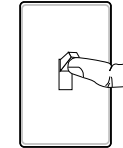
Manual Mode only works at night because daylight returns the sensor to AUTO.

Flip the light switch off for one second then back on to toggle between AUTO and MANUAL MODE.

Manual Mode only works with the ON-TIME switch in the 1, 5, or 20 minute position.



1 Second OFF
then...



... back on.

TEST

AUTO

MANUAL MODE

Move ON-TIME Switch to 1, 5, or 20 minutes

*Flip light switch off for one second then back on**

* If you get confused while switching modes, turn the power off for one minute, then back on. After the calibration time, the control will be in the AUTO mode.

Troubleshooting Guide

SYMPTOM	POSSIBLE CAUSE
Lights will not come on.	<ol style="list-style-type: none"> 1. Light switch is turned off. 2. Flood light is loose or burned out. 3. Fuse is blown or circuit breaker is turned off. 4. Daylight turnoff is in effect. (<i>Re-check after dark</i>). 5. Incorrect circuit wiring, if this is a new installation. 6. Re-aim the sensor to cover desired area.
Lights come on in day-light.	<ol style="list-style-type: none"> 1. Control may be installed in a relatively dark location. 2. Control is in Test. (<i>Set control switch to an ON-TIME position</i>).
Lights come on for no apparent reason.	<ol style="list-style-type: none"> 1. Control may be sensing small animals or automobile traffic. (<i>Re-aim sensor or use lens shield</i>). 2. Range is set too high. (<i>Reduce Range setting</i>).

SYMPTOM	POSSIBLE CAUSE
Lights stay on continuously.	<ol style="list-style-type: none"> 1. A lamp is positioned too close to the sensor or pointed at objects that causes the sensor to trigger. (<i>Aim the lamp away from the sensor or objects</i>). 2. Control is pointed at a heat source like an air vent, dryer vent, or brightly-painted heat-reflective surface. (<i>Re-aim sensor or use lens shield</i>).
Lights flash on and off.	<ol style="list-style-type: none"> 1. Heat or light from the lamps may be turning the Light Control on and off. (<i>Aim lamps away from the sensor. Turn Boost off</i>). 2. Reflected heat from other objects are triggering the sensor. (<i>Re-aim sensor. Turn Boost off</i>). 3. Control is warming up. (<i>Flashing is normal under these conditions. Wait 1 minute for sensor to warm up</i>). 4. Control is in Test. (<i>Set control switch to an ON-TIME position</i>).

Technical Service

Please call 1-800-858-8501 (English speaking only) for assistance before returning product to store.

If you experience a problem, follow this guide. You may also want to visit our Web site at: www.hzsupport.com. If the problem persists, call* for assistance at **1-800-858-8501** (English speaking only), 7:30 AM to 4:30 PM CST (M-F). You may also write* to:

HeathCo LLC
 P.O. Box 90045, Bowling Green, KY 42102-9045
 ATTN: Technical Service

* If contacting Technical Service, please have the following information available: Model Number, Date of Purchase, and Place of Purchase.

No Service Parts Available for this Product

Lifetime Warranty

This is a "Limited Warranty" which gives you specific legal rights. You may also have other rights which vary from state to state or province to province.

For as long as you (the original purchaser) own this product, any malfunction caused by factory defective parts or workmanship will be corrected at no charge to you.

Not Covered - Repair service, adjustment and calibration due to misuse, abuse or negligence, light bulbs, batteries, and other expendable items are not covered by this warranty. Unauthorized service or modification of the product or of any furnished component will void this warranty in its entirety. This warranty does not include reimbursement for inconvenience, installation, setup time, loss of use, unauthorized service, or return shipping charges.

This warranty covers only this product and is not extended to other equipment and components that a customer uses in conjunction with our products.

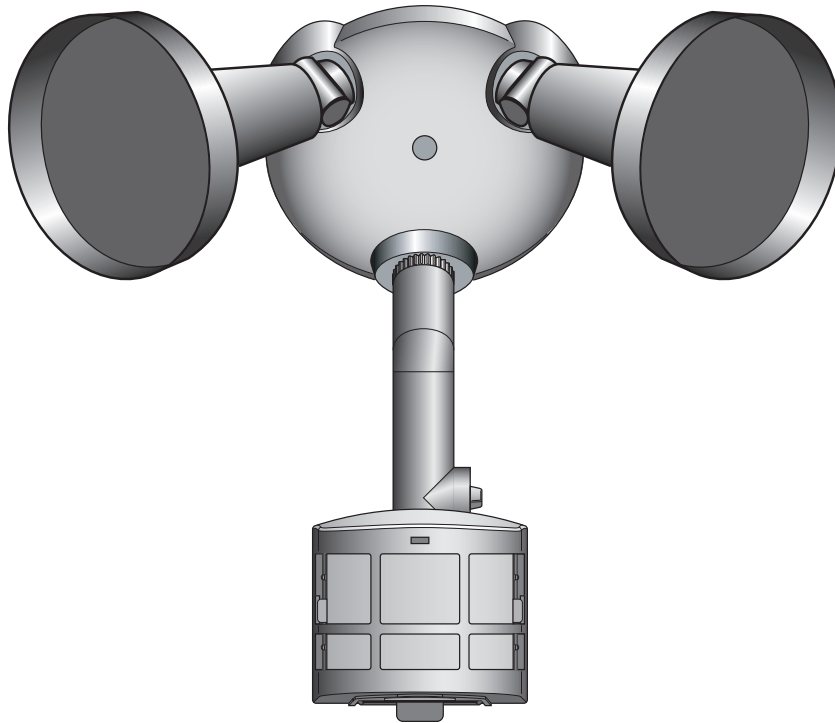
THIS WARRANTY IS EXPRESSLY IN LIEU OF ALL OTHER WARRANTIES, EXPRESS OR IMPLIED, INCLUDING ANY WARRANTY, REPRESENTATION OR CONDITION OF MERCHANT ABILITY OR THAT THE PRODUCTS ARE FIT FOR ANY PARTICULAR PURPOSE OR USE, AND SPECIFICALLY IN LIEU OF ALL SPECIAL, INDIRECT, INCIDENTAL, OR CONSEQUENTIAL DAMAGES.

REPAIR OR REPLACEMENT SHALL BE THE SOLE REMEDY OF THE CUSTOMER AND THERE SHALL BE NO LIABILITY ON THE PART OF HEATHCO LLC FOR ANY SPECIAL, INDIRECT, INCIDENTAL, OR CONSEQUENTIAL DAMAGES, INCLUDING BUT NOT LIMITED TO ANY LOSS OF BUSINESS OR PROFITS, WHETHER OR NOT FORESEEABLE. Some states or provinces do not allow the exclusion or limitation of incidental or consequential damages, so the above limitation or exclusion may not apply to you. Please keep your dated sales receipt, it is required for all warranty requests.

Heath/Zenith **Secure Home™**

LÁMPARA DE SEGURIDAD CON DETECCIÓN DE MOVIMIENTO

Modelos
SH-9250-BZ
SH-9250-WH



Indice

Introducción	17
Contenidos del Paquete	18
Instalación.....	19
Montaje en pared	19
Montaje en alero.....	19
Soporte de montaje de la barra de cruce	20
Cableado Estándar.....	20
Control de los aparatos que no detectan movimiento	21
Fin del Montaje.....	22
Especificaciones	22
Prueba y Ajuste.....	23
Cobertura Esperada.....	24
Funcionamiento.....	26
Guía de Investigación de Averías	27
Garantía ilimitada	28

Introducción

Querido consumidor:





Nos gustaría agradecerle por su compra de este producto. Ha comprado la lámpara de seguridad con detección de movimiento más durable hoy en día. Este producto le brindará muchos años de servicio confiable. Tenemos tanta confianza en la durabilidad de este producto que está respaldado con una garantía ilimitada.

Características Mejoradas de Rendimiento

- ☞ Los dientes fuertes de sujeción y el tornillos de mano ofrecen un ajuste completo de las tres dimensiones de la cabeza del detector.
- ☞ Los cinco empaques de caucho de silicona sellan los componentes y controles internos protegiéndolos contra las condiciones ambientales severas.
- ☞ Tornillos de acero inoxidable para evitar el enmohecimiento y la corrosión.
- ☞ Protección incorporada de 1,25 mega vatios contra sobrecargas momentáneas.
- ☞ El diseño A.S.I.C. (Circuito Integrado de Aplicación Específica) permite un rendimiento más confiable.
- ☞ Opción de aumento de alcance para ampliar el alcance a aquellas áreas que son difíciles de cubrir.
- ☞ Cobertura de ángulo extremadamente grande (hasta 270°). Ajustable con protectores de placa translúcida incorporados.
- ☞ Fácil de controlar otras lámparas con su artefacto de luz (hasta 1000 vatios de carga total).
- ☞ El área ampliada de la placa translúcida recibe más luz infrarroja mejorando así su sensibilidad de detección.
- ☞ La tecnología de cómputo de impulsos reduce una falsa detección, causada por el viento y la lluvia, para obtener una confiabilidad profesional.
- ☞ La fotocélula automática desactiva la unidad durante el día para ahorrar energía.
- ☞ Restauración después de que se cortó la corriente. Apaga automáticamente las luces si se prenden por interrupción de corriente o por una tormenta eléctrica.
- ☞ Temporizador de luz seleccionable para fijar el tiempo que la luz se quede prendida después de detectar movimiento.
- ☞ El control de alcance permite hacer un ajuste del alcance de la cobertura.
- ☞ Sobrecontrol manual para prender/apagar las luces, a su conveniencia, con el interruptor de pared

Contenidos del Paquete

- Aparato de luz y detector de movimiento
- Manual
- Paquete de ferretería

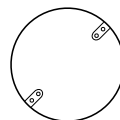
- 1 empaquetadura 
- 1 gancho 
- 1 Soporte de montaje de la barra de cruce 
- 4 conectores de cable 
- 2 tornillos #6-32 x 3/4 pulgada.
(para cajas pequeñas rectangulares)
- 2 tornillos #8-32 x 3/8 pulgada.
(para cajas circulares u octagonales)
- 2 tornillos #10-24 x 1/2 pulgada.
(para cajas impermeables al agua)
- 1 tornillos M5 x 0.8 x 40 mm.
(desde el aparato al soporte de montaje)
- 1 Enchufe de caucho

Tiempo estimado de instalación: 30 minutos

Artículos que se necesitan para la instalación (no incluidos):

- Tornillos Phillips y de cabeza plana
- Alicates
- Desforrador/cortador de alambre
- Escalera
- 2 reflectores, 150 vatios máximo por lámpara
- Lentes de seguridad
- Calafateo de silicona

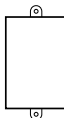
Queda bien con todas las configuraciones de cajas de empalmes



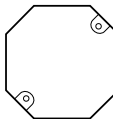
Circular



Rectangular horizontal



Rectangular vertical



Octagonal

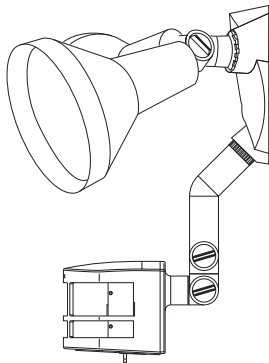
Instalación

CUIDADO: ANTES DE COMENZAR LA INSTALACION , APAGUE LA CORRIENTE EN EL CORTACIRCUITOS.

Si usted desea usar el sobrecontrol manual usted deberá instalar el aparato en un circuito controlado por un interruptor.

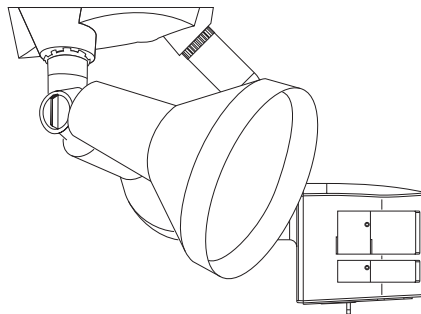
Montaje en pared

- Afloje los tornillos de mano que sostienen el cabezal del detector y los cabezales de lámpara.
- Ajuste las diferentes partes para que el aparato se vea similar a esta ilustración.
- Ahora ajuste los tornillos de mano sólo con los dedos.



Montaje en alero

- Afloje los tornillos de mano que sostienen el cabezal del detector y los cabezales de lámpara.
- Ajuste las diferentes partes para que el aparato se vea similar a esta ilustración.
- Ahora ajuste los tornillos de mano sólo con los dedos.



Instale el aparato con el soporte de montaje de la barra de cruce

- ❑ Apague la energía en el fusible o cortacircuitos.
- ❑ Quite el aparato de luz existente. (si es aplicable).
- ❑ Instale el soporte de montaje como se demuestra usando los dos tornillos provistos en su paquete de ferretería y que es apropiado para su caja de empalme:

Caja de Empalme Rectangular - Use dos tornillos #6-32 x 3/4 pulgada.

Caja de Empalme Circular o Rectangular - Use dos tornillos #8-32 x 3/8 pulgada.

Caja de Empalme impermeable - Use dos tornillos #10-24 x 1/2 pulgada.

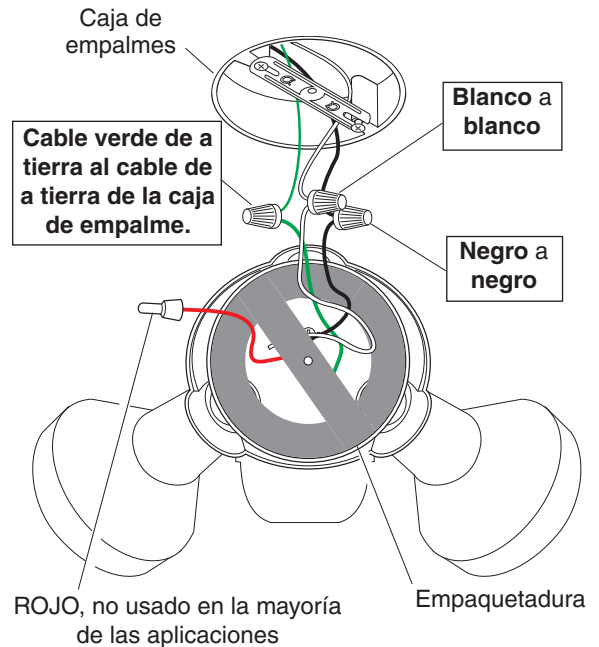
- ❑ Se puede usar el colgador plástico para sostener el aparato mientras se instala el cableado. El extremo pequeño del colgador se puede pasar por el agujero en el centro de la placa cubertora. El extremo pequeño va luego dentro de las ranuras de la lámina de montaje.
- ❑ Pase todos los cables del aparato por los agujeros grandes del empaque, como se muestra.

Cableado Estándar

CUIDADO: Si todavía no ha desconectado la alimentación en el cortacircuito o fusible, hágalo ahora.

Conecte los cables de la caja de empalmes a los cables del aparato. Tuérzalos juntos y asegúrelos con conectores de cable.

CUIDADO: Si no va a controlar lámparas adicionales desde su lámpara de seguridad, NO conecte el conductor ROJO ni retire el conector de cables.

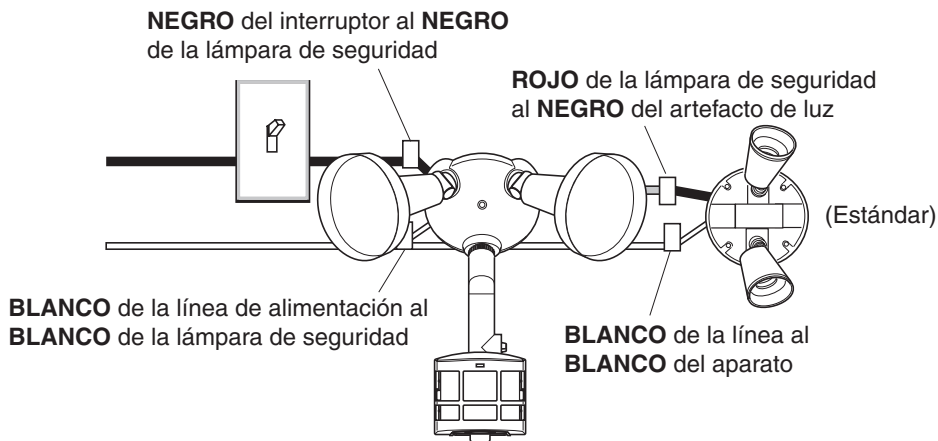


Control de los aparatos que no detectan movimiento

- ❑ **En caso de conectar al aparato estándar solamente:** Pele el alambre **rojo** del detector de movimiento y conéctelo al alambre **negro** de la luz estándar. Conecte todos los alambres blancos. La capacidad total no debe exceder los 1000 Vatios (8,3 A).

NOTA: Todo el cableado de los aparatos debe ser hecho de acuerdo al Código Eléctrico Nacional (Código Eléctrico Canadiense en Canadá) por medio de conductos para cables u otras formas aceptables. **Póngase en contacto con un electricista calificado si existe duda sobre la aptitud del sistema.**

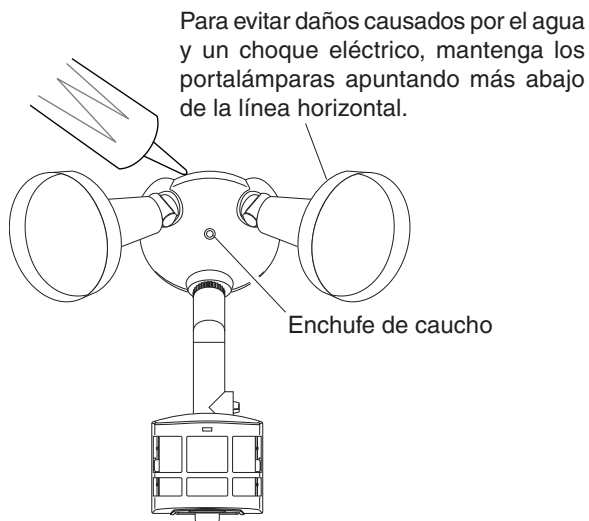
- ❑ Este aparato viene con un detector con una potencia de 1000 Vatios. Puesto que el aparato tiene sólo una potencia de 300 Vatios, la carga adicional de 700 Vatios puede ser controlada por el detector.
- ❑ Cuando desee determinar la clasificación de un aparato no vea tan sólo la potencia de la lámpara. Mire la indicación que especifique el voltaje máximo de la lámpara que el aparato puede aceptar.
- ❑ Una vez que ha escogido los aparatos que se conectarán y ha determinado sus máximas potencias, súmelas. Por ejemplo, si tiene 3 aparatos de 100 , 150 y 75 Vatios respectivamente, usted tendrá un total de 325 Vatios.



Conexión a la luz de movimiento y al aparato estándar

Fin del Montaje

- Alinee la placa cubertora, el empaque y el agujero de la consola de montaje. Asegúrelo con el tornillo de montaje provisto M5 x 0.8 x 40 mm.
- Empuje el tapón de caucho firmemente hasta que encaje.
- Si no lo instala sobre una caja protegida contra la intemperie, **calafatee entre la placa cubertora y la superficie de montaje** con un sellador de silicona contra la intemperie.
- Ajuste los portalámparas aflojando las tornillos de mano, pero no los gire más de 180° de la calibración hecha en fábrica. Cuando atornille los proyectores no los apriete demasiado.



Especificaciones

Alcance 70 pies (21,0 m);
100 pies (30,5 m) con
aumento de distancia.
Varía de acuerdo a la
temperatura que le
rodea.

Angulo de detección Hasta 270° (Ajusta-
ble)

Carga del Aparato Hasta un máxi-
mo de 300 Vatios
de tungsteno incan-
descente [hasta 150
Vatios máximo por
cada portalámparas].

Capacidad de Carga
del Detector. Hasta un máximo de
1000 Vatios (8,3 A.)
de tungsteno incan-
descente

Requisitos de Alimentación . 120 VCA, 60 Hz

Fases de Funcionamiento . . PRUEBA, AUTO y
SOBRECONTROL
MANUAL

Retardo de Tiempo 1, 5, 20 minutos

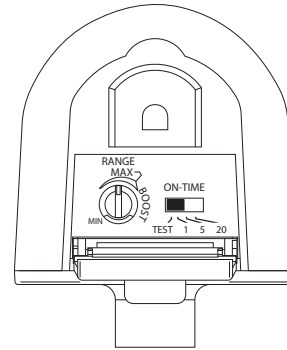
HeathCo LLC se reserva el derecho de discontinuar
productos y de cambiar especificaciones a cualquier
momento sin incurrir en ninguna obligación de
tener que incorporar nuevas características en los
productos vendidos con anterioridad.

Prueba y Ajuste

NOTAS: Cuando lo prenda por primera vez espere 1 1/2 minutos hasta que el circuito se calibre.

Las pruebas hechas durante el día con el Aumento de Alcance [Range Boost] prendido pueden resultar en un funcionamiento anormal.

- Prenda el cortacircuitos y el interruptor de luz.
- Abra la tapa de acceso del control (en el fondo de la unidad) halando hacia abajo con la lengüeta de la puerta de metal.
- Gire el control de Alcance al centro de su ajuste y el interruptor de TIEMPO (ON-TIME) a la posición de PRUEBA (TEST).



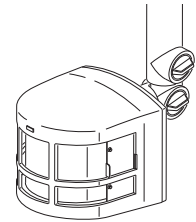
Fondo del Detector

Evite apuntar el detector hacia:

- Objetos que cambien rápidamente de temperatura tales como **ductos de calefacción y acondicionadores de aire**. Estas fuentes de calor pueden causar falsas alarmas.
- Areas donde **animales domésticos o el tráfico** puedan activar el control.
- **Los objetos grandes cercanos y de colores resplandecientes** que reflejan la luz del día pueden hacer que el detector se apague. No apunte otras luces hacia el detector.

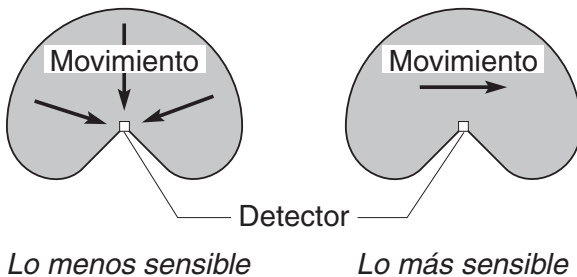
Continuación de ajustes . . .

- Afloje los dos tornillos de mano. Estime la dirección para apuntar el detector y ajuste los dos tornillos de mano tan sólo lo suficiente como para sostener el detector en su sitio.
NOTA: El tornillo de arriba hace que el detector gire de lado a lado. El tornillo de abajo hace que el detector gire de arriba abajo.
- Camine por el área de cobertura dándose cuenta dónde está cuando las luces se prenden (además, el LED destellará varias veces cuando detecte movimiento). Afloje los tornillos de mano y reajuste el detector como sea necesario. Apriete los tornillos de mano (con los dedos) cuando esté satisfecho con la dirección de la cobertura. **Mantenga al detector por lo menos a 1 pulgada (25 mm) de las lámparas y mantenga los controles mirando hacia abajo.**
- Ajuste ALCANCE (RANGE) como sea necesario para aumentar o disminuir el alcance. Demasiada sensibilidad puede causar falsa alarma en algunos ambientes.
- Para lograr el alcance máximo, el detector debe estar recto apuntando hacia afuera.
- Fije el período de TIEMPO (1, 5 ó 20 minutos) que usted quiere que las luces se queden prendidas después de detectar movimiento en la noche.
- Suelte la lengüeta de la puerta de metal para hacer que la puerta se cierre.



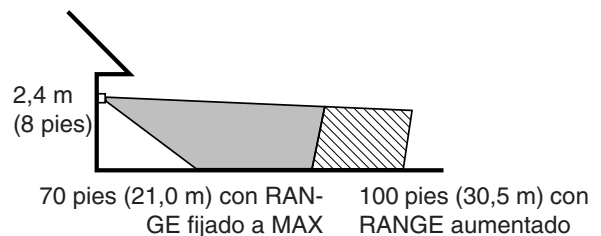
Cobertura Esperada

El detector es menos sensible del movimiento que se dirige hacia él.



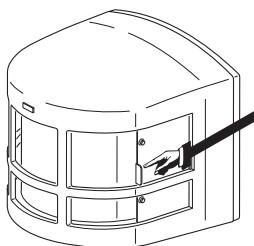
Si lo instala a 8 pies (2,4 m) del suelo, usted puede esperar el alcance que se muestra abajo. Si lo instala mucho más arriba puede darse que el aparato no detecte objetos cerca del suelo. Si lo instala mucho más abajo, el alcance del detector se puede reducir.

Alcance Máximo
(Detector recto y apuntando hacia afuera)

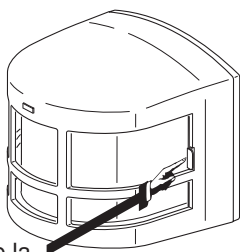


Si la cobertura panorámica (270°) es demasiado amplia para su aplicación, usted puede necesitar una o dos protecciones para reducir el ángulo de cobertura.

- Decida qué lado de la placa translúcida desea cubrir.
- Hale hacia afuera el protector de la placa translúcida para bloquear una porción de la placa translúcida. Cada placa translúcida reducirá el área de cobertura por aproximadamente 35° cuando esté extendida por completo.

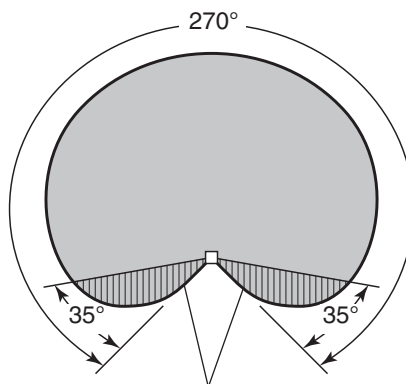


Protector de la placa translúcida extendido por completo



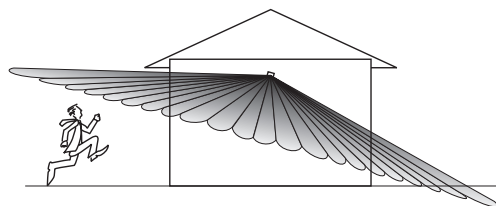
Protector de la placa translúcida empotrado por completo

Angulo de Cobertura Máxima (Sin protector de placa translúcida)



Área aproximadamente bloqueada con protector de placa translúcida extendida por completo

Si no mantiene el detector a nivel, usted puede experimentar una aparente disminución de alcance porque los objetos pueden pasar por debajo de la zona de detección sin ser detectados.



Funcionamiento

Modalidad:	A tiempo:	Trabaja: Día	Noche
Prueba	5 seg.	x	x
Autom.	1, 5 or 20 min.		x
Manual	Hasta el amanecer*		x

* Se pone en Automático al amanecer.

ALCANCE

Gire el control de Alcance al ajuste deseado.



FASE DE PRUEBA

Deslice el interruptor de TIEMPO (ON-TIME) a TEST y gire el control de Alcance al centro de su ajuste.



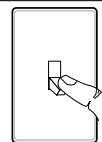
FASE AUTO

Ponga el interruptor de tiempo (ON-TIME) en la posición de 1, 5 ó 20 minutos.



Para MODO MANUAL

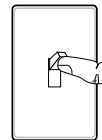
El modo manual funciona sólo por la noche porque la luz del día pone al detector en modo AUTOMATICO .



Apague el interruptor por un segundo y vuélvalo a prender.

1 segundo APAGADO luego...

La fase manual funciona sólo con el interruptor de TIEMPO (ON-TIME) en la posición de 1, 5 o 20 minutos.



...préndalo.

PRUEBA

AUTOM.

MODO MANUAL

Mueva el interruptor de tiempo (ON-TIME) a 1, 5 ó 20 minutos

*Apague el interruptor por un segundo y préndalo de nuevo**

* Si se confunde mientras cambia de fases, apague la electricidad por un minuto y préndala de nuevo. Después del tiempo de calibración el control estará en fase AUTO(MATICA).

Guía de Investigación de Averías

SINTOMA	POSIBLE CAUSA
La luz no se enciende.	<ol style="list-style-type: none"> 1. El interruptor de luz está apagado. 2. El faro está flojo o fundido. 3. El fusible está quemado o el cortacircuitos está apagado. 4. La desconexión de luz del día está en efecto. <i>(Compruébelo al anochecer).</i> 5. Alambrado incorrectamente, si ésta es una nueva instalación. 6. Apunte de nuevo el detector para cubrir las áreas deseadas.
La luz se prende durante el día.	<ol style="list-style-type: none"> 1. El Control de Luz puede estar instalado en un lugar relativamente oscuro. 2. El Control de Luz está en fase de Prueba. <i>(Fije el interruptor del control a la posición de TIEMPO).</i>
La luz se prende sin ninguna razón aparente.	<ol style="list-style-type: none"> 1. El Control de Luz puede estar detectando animales pequeños o el tránsito de automóviles. <i>(Reapunte el detector).</i> 2. Alcance fijado demasiado alto. <i>(Reduzca el ajuste de alcance).</i>

SINTOMA	POSIBLE CAUSA
La luz se queda prendida continuamente.	<ol style="list-style-type: none"> 1. Un faro está colocado demasiado cerca al detector o apunta a objetos cercanos que hace que el calor active el detector. <i>(Reposicione la lámpara lejos del detector o de los objetos cercanos).</i> 2. El Control de Luz está apuntando hacia una fuente de calor tal como un conducto de aire, de secadora o hacia una superficie con pintura brillante y que refleja el calor. <i>(Apunte de nuevo el detector o use el protector de la placa translúcida).</i>
La luz se prende y se apaga.	<ol style="list-style-type: none"> 1. El calor o la luz de las lámparas pueden estar prendiendo y apagando el Control de Luz. <i>(Apunte las lámparas lejos del detector. Apague el Boost).</i> 2. El calor reflejado de otros objetos están prendiendo la alarma del detector. <i>(Apunte de nuevo el detector. Apague el Boost).</i> 3. El Control se está calentando. <i>(El prenderse y apagarse es normal bajo estas condiciones. Espere 1 minuto para que se caliente el detector).</i> 4. El Control está en fase de Test. <i>(Fije el interruptor del control a una posición de ON-TIME).</i>

Servicio Técnico

Favor de llamar al 1-800-858-8501 (sólo para hablar en inglés) para pedir ayuda antes de devolver el producto a la tienda.

Si tiene algún problema, siga esta guía. Usted puede también visitar nuestro sitio Web: www.hzsupport.com. Si el problema continúa, llame al **1-800-858-8501** (sólo para hablar en inglés), de 7:30 AM a 4:30 PM CST (L-V). Usted puede también escribir a:

HeathCo LLC

P.O. Box 90045, Bowling Green, KY 42102-9045

ATTN: Technical Service (Servicio Técnico)

* Si se llama al Servicio Técnico, por favor tener lista la siguiente información: Número de Modelo, Fecha de compra y Lugar de compra.

No hay piezas de servicio disponibles para este producto.

Garantía ilimitada

Esta es una “garantía limitada” que le da derechos legales específicos. Ud. puede también tener otros derechos que varían de estado a estado o de provincia a provincia.

Durante todo el tiempo que sea propietario de este producto (comprador original), cualquier funcionamiento anómalo ocasionado por piezas o mano de obra defectuosas será corregido sin costo para usted.

No Cubierto - Servicio de reparación, ajuste y calibración debido al mal uso, abuso o negligencia, bombillas, baterías, u otras partes fungibles no están cubiertas por esta garantía. un servicio o modificación no autorizados del producto o de cualquier componente que se provea, invalidarán esta garantía en su totalidad. Esta garantía no incluye reembolso por inconveniencia, instalación, tiempo de instalación, pérdida de uso, servicio no autorizado, o costos de transporte de retorno.

Esta garantía cubre sólo este producto y no cubre a otros equipos y componentes que el cliente los use junto con nuestros productos.

ESTA GARANTÍA ESTÁ EXPRESAMENTE EN LUGAR DE CUALQUIER OTRA GARANTÍA, EXPRESADA O IMPLÍCITA, INCLUYENDO CUALQUIER GARANTÍA, REPRESENTACIÓN O CONDICIÓN DE COMERCIALIZACIÓN O QUE EL PRODUCTO SEA ADAPTADO PARA CUALQUIER PROPÓSITO O USO PARTICULAR, Y ESPECÍFICAMENTE EN LUGAR DE TODOS LOS DAÑOS ESPECIALES, INDIRECTOS, INCIDENTALES O CONSECUENTES.

LA REPARACIÓN O EL REEMPLAZO SERÁN LAS ÚNICAS ALTERNATIVAS DEL CLIENTE Y NO HABRÁ RESPONSABILIDAD POR PARTE DE HEATHCO LLC POR NINGÚN DAÑO ESPECIAL, INDIRECTO, INCIDENTAL O CONSECUENTE, INCLUIDOS PERO NO LIMITADOS A PÉRDIDA DEL NEGOCIO O DE LOS BENEFICIOS, SEAN O NO PREVISIBLES. Algunos estados o provincias no permiten la exclusión o limitación de daños incidentales o consecuentes, de modo que la limitación o exclusión arriba indicada pueda que no se aplique a Ud. Por favor guarde su recibo de venta fechado; se lo requiere para cualquier solicitud de garantía.

Heath/Zenith **Secure Home™**

LUMINAIRE DE SÉCURITÉ À DÉTECTION DE MOUVEMENT

Modèles
SH-9250-BZ
SH-9250-WH

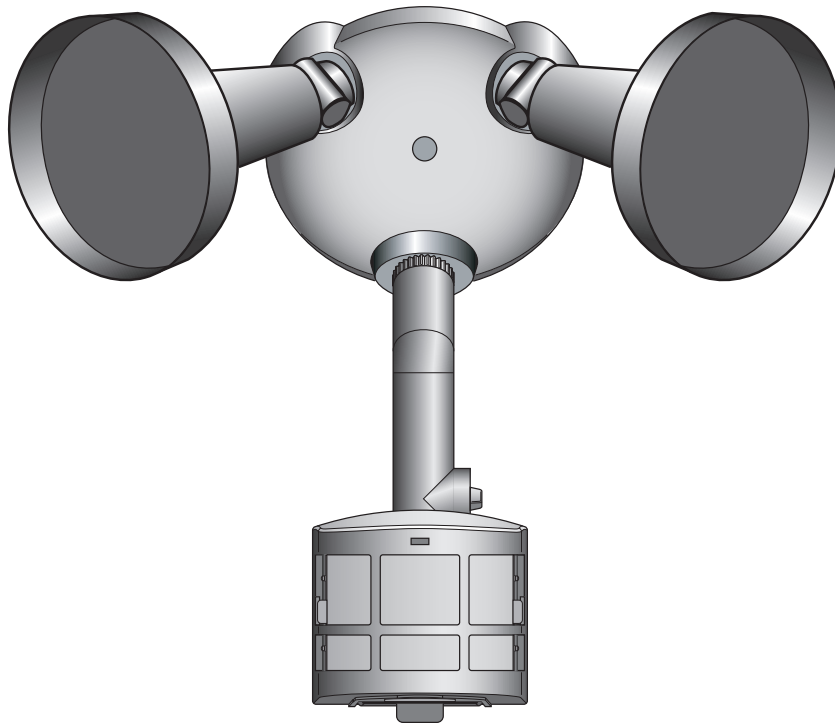


Table des matières

Introduction.....	31
Contenu de l’emballage	32
Installation	33
Montage mural	33
Montage sous avant-toit	33
Support d’installation de la barre	34
Câblage standard.....	34
Commande d’appareils de commande sans détecteur de mouvement	35
Finir le montage	36
Spécifications	36
Test et réglage	37
Couverture prévue	38
Fonctionnement.....	40
Guide de dépannage	41
Garantie à vie	42

Introduction

Cher Consommateur:

Nous souhaitons vous remercier d'avoir fait l'achat de ce produit. Vous avez acquis le luminaire de sécurité à détecteur de mouvement le plus durable qui soit actuellement sur le marché. Ce produit vous donnera de nombreuses années de service fiable. Nous avons tellement confiance dans la fiabilité de ce produit, que nous le protégeons au moyen d'une garantie à vie.



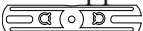
Caractéristiques de performance améliorées


- ☞ Dents de serrage et vis à ailette robustes permettant un réglage tridimensionnel de la tête du détecteur.
- ☞ Cinq garnitures d'étanchéité en caoutchouc silicone protègent les composants et les commandes internes contre les conditions climatiques sévères.
- ☞ Les vis en acier inoxydable préviennent la rouille et la corrosion.
- ☞ Protection intégrée de 1,2 MW contre les surintensités.
- ☞ Concept A.S.I.C. (Application Specific Integrated Circuit) procurant une plus grande fiabilité.
- ☞ Intensificateur de détection optionnel pour étendre la couverture aux endroits difficiles à couvrir.
- ☞ Angle de couverture extrêmement grand (jusqu'à 270°). Réglable, avec volets de lentille intégrés.
- ☞ Vous pouvez facilement commander le fonctionnement d'autres luminaires au moyen de l'appareil (jusqu'à une puissance totale de 1 000 W).
- ☞ Lentille plus grande, donc plus grande sensibilité à la lumière infrarouge.
- ☞ Technologie à compte d'impulsions pour réduire les déclenchements intempestifs causés par la pluie et le vent et assurer une fiabilité professionnelle.
- ☞ Cellule photoélectrique automatique mettant l'appareil hors tension le jour pour économiser l'énergie.
- ☞ Réenclenchement après panne de courant. Éteint l'éclairage automatiquement s'il est déclenché par une panne de courant ou un orage électrique.
- ☞ Minuterie réglable pour déterminer la durée de fonctionnement de l'appareil d'éclairage après détection d'un mouvement.
- ☞ Commande de portée qui permet de régler la zone de couverture.
- ☞ Priorité manuelle pour allumer/éteindre l'éclairage, à votre goût, au moyen d'un interrupteur mural intérieur.

Contenu de l'emballage

- Appareil d'éclairage à détecteur de mouvement
- Manuel
- Ensemble de quincaillerie



- 1 Garniture 
- 1 Crochet de suspension 
- 1 Support d'installation de la barre 

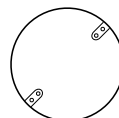
- 4 Serre-fils 
- 2 Vis #6-32 de 3/4 po
(pour petites boîtes rectangulaires)
- 2 Vis #8-32 de 3/8 po
(pour boîtes rondes ou octogonales)
- 2 Vis #10-24 de 1/2 po
(pour boîtes étanches à l'eau)
- 1 Vis M5 x 0.8 x 40 mm
(appareil à support d'installation)
- 1 Bouchon de Caoutchouc

Temps estimatif d'installation : 30 minutes.

Articles nécessaires à l'installation (non fournis) :

- Tournevis à lame droite et cruciforme (Phillips)
- Pincés
- Pincés à dénuder ou à couper
- Échelle
- 2 lampes-rélecteurs; 150 W max. par lampe
- Lunettes de protection
- Produit de calfeutrage à base de silicone

Convient à tous les types de boîte de jonction



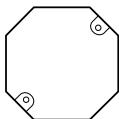
Ronde



Horizontale rectangulaire



Verticale rectangulaire



Octogonale

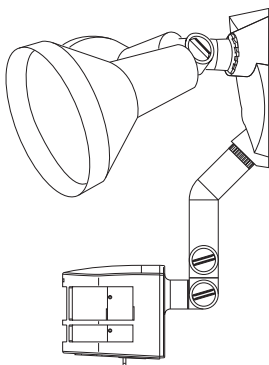
Installation

ATTENTION!: AVANT D'ENTREPRENDRE L'INSTALLATION, COUPER L'ALIMENTATION AU DISJONCTEUR.

Si vous désirez utiliser la priorité manuelle, installez l'appareil sur un circuit commandé par un interrupteur.a

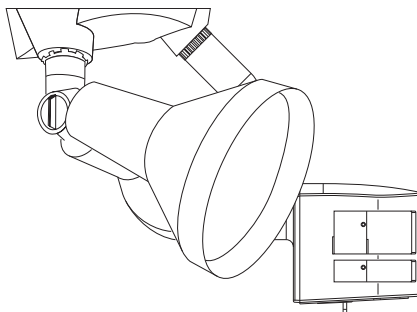
Montage mural

- Desserrer les vis à ailette tout en soutenant la tête du détecteur et les porte-lampes.
- Ajuster les différentes parties de manière que l'appareil ait une apparence similaire à celle de l'illustration.
- Serrer les vis à ailette avec les doigts à ce moment-ci.



Montage sous avant-toit

- Desserrer les vis à ailette tout en soutenant la tête du détecteur et les porte-lampes.
- Ajuster les différentes parties de manière que l'appareil ait une apparence similaire à celle de l'illustration.
- Serrer les vis à ailette avec les doigts à ce moment-ci.



Installer le luminaire au moyen du support d'installation de la barre, s'il y a lieu.

- ❑ Couper l'alimentation du circuit d'éclairage au fusible ou au disjoncteur.
- ❑ Enlever l'appareil d'éclairage existant. (le cas échéant).
- ❑ Installer le support, tel qu'illustré, au moyen des deux vis fournies avec la quincaillerie de la boîte électrique :

Boîte électrique rectangulaire - Utilisez deux vis n° 6-32 x 3/4 po.

Boîte électrique ronde ou octogonale - Utilisez deux vis n° 8-32 x 3/8 po.

Boîte de connexion étanche - Utilisez deux vis n° 10-24 x 1/2 po.

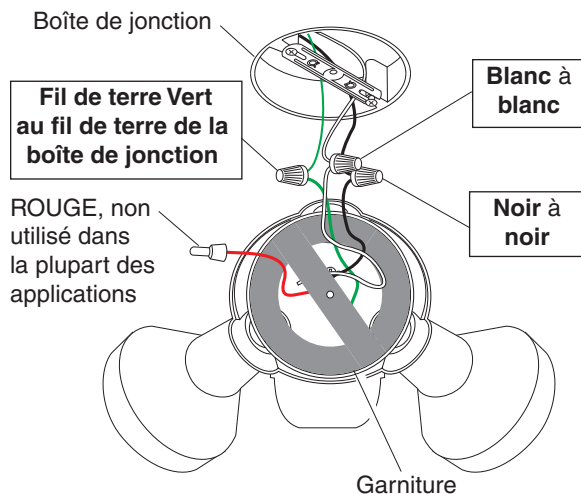
- ❑ Le crochet en plastique peut servir à supporter le luminaire pendant le câblage. Le petit bout du crochet en plastique peut être inséré dans le trou au centre de la plaque de couverture. Ensuite, le petit bout est inséré dans une des fentes de la barre de montage.
- ❑ Faire passer les fils de la commande d'éclairage par le trou de la garniture.

Câblage standard

AVERTISSEMENT: Si vous n'avez pas déjà coupé l'alimentation électrique au disjoncteur ou au fusible, faites-le maintenant.

Raccordez les fils de la boîte de jonction à ceux de l'appareil. Torsadez-les ensemble et fixez-les avec les serre-fils.

AVERTISSEMENT: Si vous n'envisagez pas de commander d'autres appareils au moyen de votre luminaire de sécurité, **NE RACCORDEZ PAS** le fil ROUGE et n'enlevez pas le connecteur électrique.

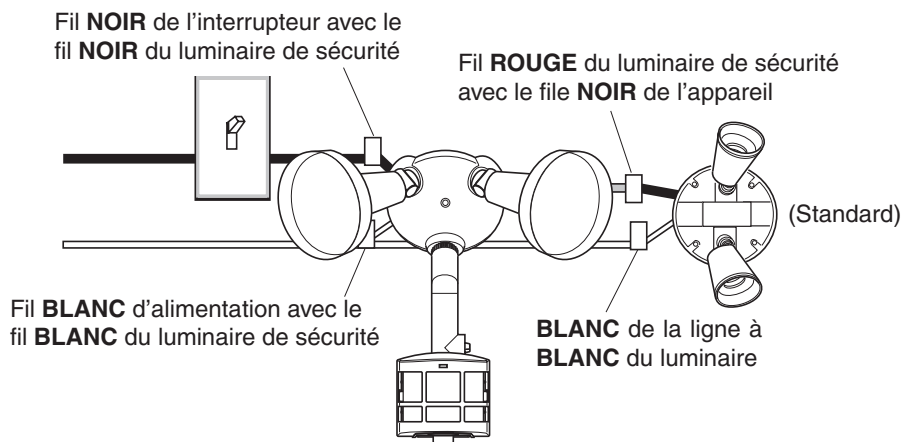


Commande d'appareils d'éclairage sans détecteur de mouvement

- ❑ **Pour le câblage à un seul appareil d'éclairage additionnel:** Dénudez le fil **rouge** du détecteur et raccordez-le au fil **noir** de l'appareil d'éclairage. La puissance totale des appareils ne doit pas dépasser 1000W (8,3 A).

NOTE: Le câblage entre les appareils doit être conforme aux exigences du Code national de l'électricité (Code Canadien de l'électricité au Canada) et monté dans un conduit ou d'une autre façon acceptable. **Si vous vous demandez si le système est approprié, consultez un électricien reconnu.**

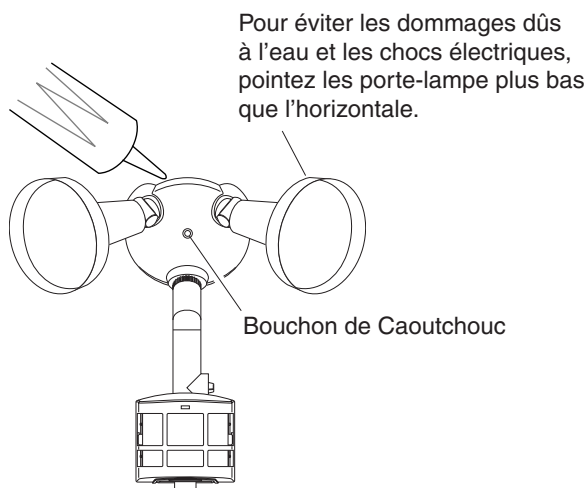
- ❑ Cet appareil est pourvu d'un détecteur d'une puissance de 1000 W. Puisque la puissance de l'appareil d'éclairage n'est que de 300 W, le détecteur peut accepter une charge additionnelle de 700 W.
- ❑ Lorsque vous voulez déterminer la capacité de puissance d'un appareil, il ne suffit pas de lire l'indication de puissance de l'ampoule. Regardez plutôt l'étiquette qui indique la puissance maximale de l'appareil d'éclairage.
- ❑ Une fois que vous avez déterminé les appareils à raccorder et leur puissance maximale, additionnez ces puissances. Par exemple, si vous utilisez 3 appareils de 100 W, 150 W et 75 W respectivement, la charge totale sera de 325 W.



Câblage à un appareil d'éclairage à détecteur de mouvement et à un appareil d'éclairage standard

Finir le montage

- Faites correspondre les orifices du couvercle, de la garniture et du support. Fixer au moyen de la vis de montage M5 x 0.8 x 40 mm fournie.
- Poussez le bouchon de caoutchouc fermement en place.
- Si l'installation n'est pas effectuée au moyen d'une boîte de connexion étanche, **appliquer un produit d'étanchéité à base de silicone entre le couvercle et la surface d'installation.**
- Ajuster les porte-lampes en desserrant les vis à oreilles, mais ne pas faire tourner les porte-lampes de plus de 180° par rapport au réglage d'usine. Ne pas trop serrer les lampes dans les porte-lampes.



Spécifications

Portée 70 pieds (21,0 m); 100 pieds (30,5m) avec un amplificateur de portée. Varie selon la température ambiante.

Angle de détection . . . Jusqu'à 270 (Réglable)

Charge de l'appareil . . . Jusqu'à 300 W maximum Tungstène à incandescence [maximum de 150 W par support].

Capacité de charge du détecteur. Jusqu'à 1000 W (8,3 A) maximum Tungstène à incandescence

Alimentation 120 VCA, 60 Hz

Modes de fonctionnement Essai, automatique et priorité manuelle

Minuteries 1, 5 et 20 minutes

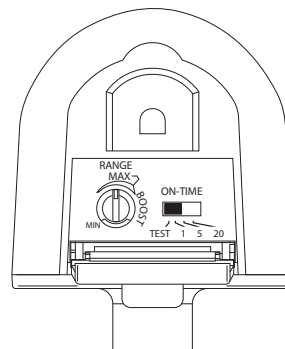
HeathCo LLC se réserve le droit d'abandonner tout produit et d'en changer les spécifications, en tout temps et sans contracter quelque obligation que ce soit quant à l'incorporation de nouvelles caractéristiques aux produits déjà vendus.

Test et réglage

NOTES: Après la mise en circuit, attendre environ 1 1/2 minute pour que les circuits complètent leur étalonnage.

S'il est testé avec l'intensificateur de détection pendant le jour, l'appareil pourrait avoir un fonctionnement anormal.

- Mettez le disjoncteur et l'interrupteur d'éclairage sous tension.
- Ouvrez la porte d'accès aux commandes (au bas de l'appareil) en tirant sur la patte de la porte métallique.
- Faites tourner la commande de portée vers le centre du réglage, puis placez le commutateur de durée de fonctionnement (ON-TIME) à la position TEST.



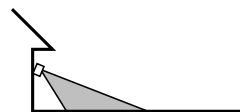
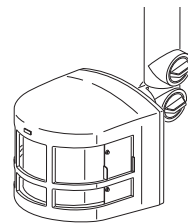
Dessous du détecteur

Ne pointez pas le détecteur en direction:

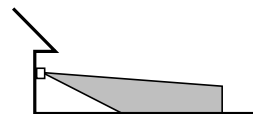
- D'objets dont la température change rapidement, comme **bouches de chaleur et climatiseurs**, pour prévenir les déclenchements intempestifs.
- D'endroits où **les animaux domestiques ou la circulation** peuvent déclencher la commande.
- **De grands objets de couleur pâle à proximité**, puisque la lumière réfléchie peut actionner le dispositif de fermeture. Ne pointez pas d'autres sources de lumière vers le détecteur.

Test et réglage (suite)

- Desserrez les deux vis à oreilles. Braquez le capteur dans la direction désirée, puis resserrez suffisamment les vis pour maintenir le capteur en position.
NOTE : La vis du haut permet d'orienter le capteur à l'horizontale alors que celle du haut permet le réglage à la verticale.
- Marchez dans la zone de couverture et notez les endroits où vous vous trouvez lorsque l'éclairage s'allume (De plus, le voyant à DEL clignote à plusieurs reprises lors de la détection d'un mouvement.) Desserrez les vis à oreilles, puis modifiez l'orientation du capteur au besoin. Serrez les vis à oreilles (à la main seulement) lorsque vous êtes satisfait de la zone de couverture définie. **Assurez-vous que le capteur est situé à au moins 1 po (25 mm) des ampoules et que les commandes pointent vers le bas.**
- Réglez la PORTÉE, au besoin, de façon à augmenter ou à réduire la zone de couverture. Une sensibilité trop élevée peut entraîner de fréquents déclenchements à certains endroits.
- Pour une portée maximum, le détecteur doit être orienté presque parallèle au sol.
- Réglez le temps d'éclairage (ON-TIME) à 1, 5 ou 20 minutes après détection de mouvement la nuit.



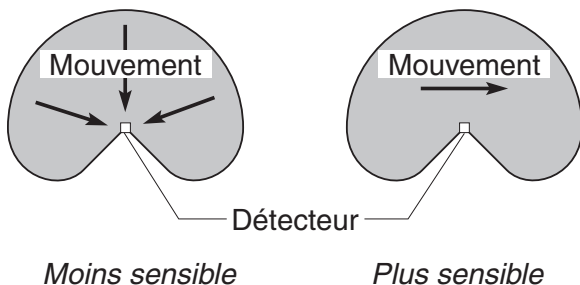
Pointez le détecteur vers le bas pour une couverture rapprochée



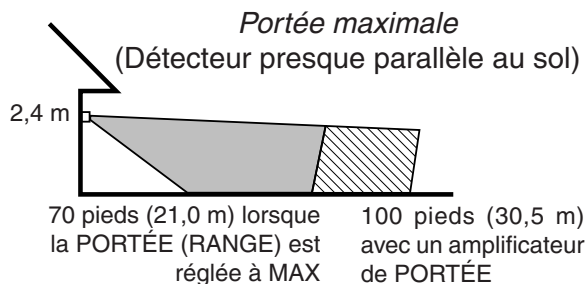
Pointez le détecteur plus haut pour une couverture éloignée

Couverture prévue

Le détecteur est moins sensible au mouvement dans sa direction qu'au mouvement croisant son champ de vision.

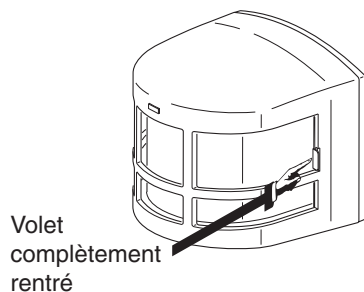
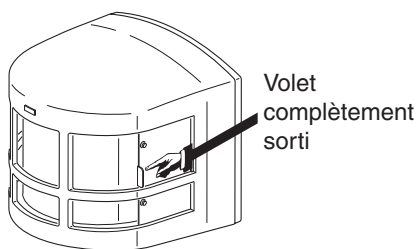


Lorsque l'appareil est monté 2,4 m au-dessus du niveau du sol, vous pouvez espérer la couverture illustrée ci-dessous. S'il est monté beaucoup plus haut, le détecteur peut manquer des objets situés près du sol. Monté beaucoup plus bas, la portée du détecteur pourrait être réduite.

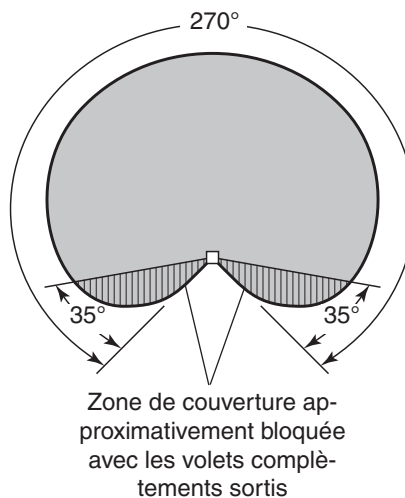


Lorsque l'orientation à grand angle (270 degrés) ne convient pas à vos besoins, vous pouvez utiliser un ou deux volets de façon à réduire l'angle de la zone de couverture.

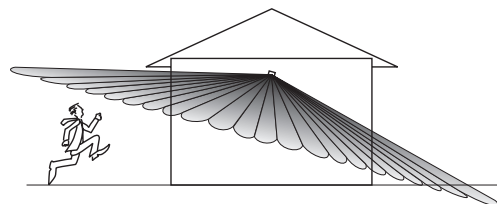
- Décidez de quel côté de la lentille vous installerez l'écran.
- Faites sortir le volet pour bloquer une partie de la lentille du capteur. Chaque volet permet de l'angle de couverture d'environ 35 degrés lorsqu'il est complètement sorti.



Angle de couverture maximum (Sans volet)



Si le détecteur n'est pas conservé de niveau, vous pourriez remarquer une diminution de la portée puisque les objets pourraient passer sous la zone de détection sans être détectés.



Fonctionnement

Mode:	Temps en circuit:	Fonctionne: Jour	Nuit
Essai	5 secondes	X	X
Auto	1, 5 or 20 min.		X
Manuel	Jusqu'à l'aube*		X

* Se remet en mode Auto à l'aube.

PORTÉE

Placez la commande de portée (Range) à la position souhaitée.



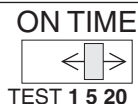
MODE ESSAI

Placez le commutateur ON-TIME en position TEST, puis la commande de portée (Range) au centre de la plage de réglage.



MODE AUTOMATIQUE

Placez l'interrupteur ON-TIME à la position 1, 5 ou 20 minutes.

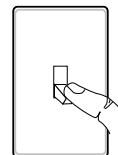


PRIORITÉ MANUELLE

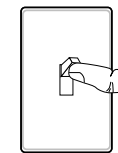
Le mode manuel ne fonctionne que la nuit parce que la lumière du jour remet le capteur en mode AUTO.

Mettez l'interrupteur hors circuit pendant une seconde, plus en circuit pour alterner entre les modes AUTO et MANUEL.

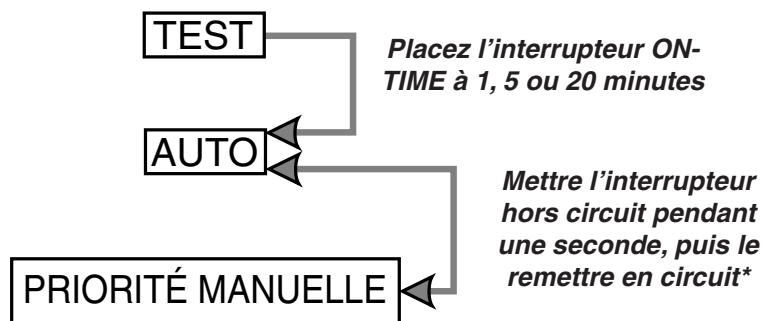
Le mode manuel (Manual) fonctionne seulement lorsque le commutateur ON-TIME est en position 1, 5 or 20 minutes.



1 seconde hors tension puis...



...remise sous tension.



* Si vous ne savez plus dans quel mode se trouve l'appareil, coupez l'alimentation pendant une minute puis la rétablir. Après le temps d'étalonnage, la commande reviendra au mode AUTO.

Guide de dépannage

SYMPTÔME	CAUSE POSSIBLE
L'éclairage ne s'allume pas.	<ol style="list-style-type: none">1. L'interrupteur d'éclairage est hors tension.2. Le projecteur es dévissé ou brûlé.3. Le fusible a sauté ou le disjoncteur a été déclenché4. Le dispositif de coupure pendant le jour fonctionne. (<i>Vérifiez à nouveau à la noirceur</i>).5. Mauvais câblage du circuit, dans le cas d'une nouvelle installation.6. Réorientez le détecteur pour couvrir l'aire désirée.
L'éclairage s'allume en plein jour.	<ol style="list-style-type: none">1. La commande peut être installée dans un endroit relativement sombre.2. La commande est en mode test. (<i>Placez l'interrupteur de la commande à une position ON-TIME</i>).
L'éclairage s'allume sans raison apparente.	<ol style="list-style-type: none">1. La commande peut détecter de petits animaux ou la circulation automobile. (<i>Réorientez le détecteur ou utilisez l'écran de lentille</i>).2. Portée trop élevée (<i>réduisez le réglage de la portée (Range)</i>).

SYMPTÔME	CAUSE POSSIBLE
L'éclairage demeure allumé continuellement.	<ol style="list-style-type: none">1. Une lampe est située trop près du détecteur ou pointée vers des objets qui déclenchent le détecteur. (<i>Réorientez la lampe loin du détecteur ou des objets</i>).2. La commande est pointée vers une source de chaleur comme un évent, une sortie de sècheuse, ou une surface claire qui réfléchit la chaleur. (<i>Réorientez le capteur ou utilisez les volets de lentille</i>.)
L'éclairage clignote	<ol style="list-style-type: none">1. La chaleur ou l'éclairage des lampes peut éteindre et allumer la commande d'éclairage. (<i>Orientez les lampes loin du détecteur ou des objets. Mettez l'intensificateur de détection hors tension</i>).2. La chaleur réfléchi par les objets environnants déclenche le détecteur. (<i>Réorientez le détecteur ou utilisez l'écran de lentille</i>).3. La commande se réchauffe. (<i>Le clignotement est normal dans ces conditions. Laissez le détecteur se réchauffer pendant 1 minute</i>).4. La commande est en mode Test. (<i>Placez l'interrupteur de la commande à une position ON-TIME</i>).

Service Technique

Veillez faire le 1 800 858-8501 (service en anglais seulement) pour obtenir de l'aide avant de retourner l'article au magasin.

En cas de problème, suivez ce guide. Vous pouvez aussi visiter notre site Web à www.hzsupport.com. Si le problème persiste, composez* le **1 800 858-8501** (service en anglais seulement), entre 7 h 30 et 16 h 30, HNC, du lundi au vendredi. Vous pouvez aussi écrire au :

HeathCo LLC

P.O. Box 90045, Bowling Green, KY 42102-9045

ATTN: Technical Service (Service technique)

* Lors d'un appel au service technique, veuillez avoir les renseignements suivants à portée de main : numéro du modèle, date d'achat et endroit de l'achat.

Aucune pièce de rechange n'est disponible pour ce produit.

Garantie à vie

Il s'agit d'une « Garantie limitée » qui vous confère des droits juridiques spécifiques. Vous pouvez également jouir d'autres droits, variables d'une province à l'autre.

Tant que vous (l'acheteur original) serez propriétaire de ce produit, nous corrigerons sans aucuns frais les défaillances attribuables à un défaut de pièce ou de fabrication.

Exclusions de la garantie - Réparations, réglage et calibrage dus à une mauvaise utilisation, un mauvais traitement ou à la négligence. Les ampoules, les piles et des autres articles non durables ne sont pas couverts par cette garantie. Le service non autorisé ou la modification du produit ou d'un ou l'autre de ses composants fournira invalidera totalement la présente garantie. Cette garantie n'inclut pas le remboursement pour le dérangement, l'installation, le réglage, la perte d'utilisation, le service non autorisé ou les frais d'expédition pour le renvoi de la marchandise.

La présente garantie vise exclusivement ce produit et ne protège pas les autres éléments ou appareils utilisés conjointement avec ce produit.

CETTE GARANTIE TIENT EXPRESSÉMENT LIEU DE TOUTES AUTRES GARANTIES, EXPLICITES OU IMPLICITES, Y COMPRIS DE TOUTE GARANTIE DE REPRÉSENTATION OU DE CONDITION DE CONVENANCE À LA COMMERCIALISATION OU À L'EFFET QUE LES PRODUITS CONVIENNENT À UN BUT OU À UNE UTILISATION PARTICULIÈRE, ET SPÉCIFIQUEMENT DE TOUS DOMMAGES SPÉCIAUX, DIRECTS, INDIRECTS OU SECONDAIRES.

LE REMPLACEMENT OU LA RÉPARATION CONSTITUENT LE SEUL RECOURS DU CLIENT ET HEATHCO LLC NE POURRA ÊTRE TENUE RESPONSABLE DE TOUS DOMMAGES SPÉCIAUX, DIRECTS, INDIRECTS OU SECONDAIRES, Y COMPRIS, SANS S'Y LIMITER, LES PERTES COMMERCIALES ET PERTES DE PROFIT, QU'ELLES SOIENT PRÉVISIBLES OU NON. Certaines provinces n'autorisent pas l'exclusion ou la limitation des dommages indirects ou secondaires, et la limitation ou l'exclusion ci-dessus pourrait ne pas s'appliquer à vous. Veuillez conserver le reçu portant la date d'achat; vous en aurez besoin pour toutes vos demandes liées à la garantie.