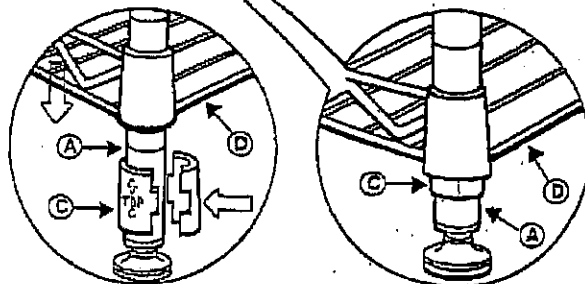
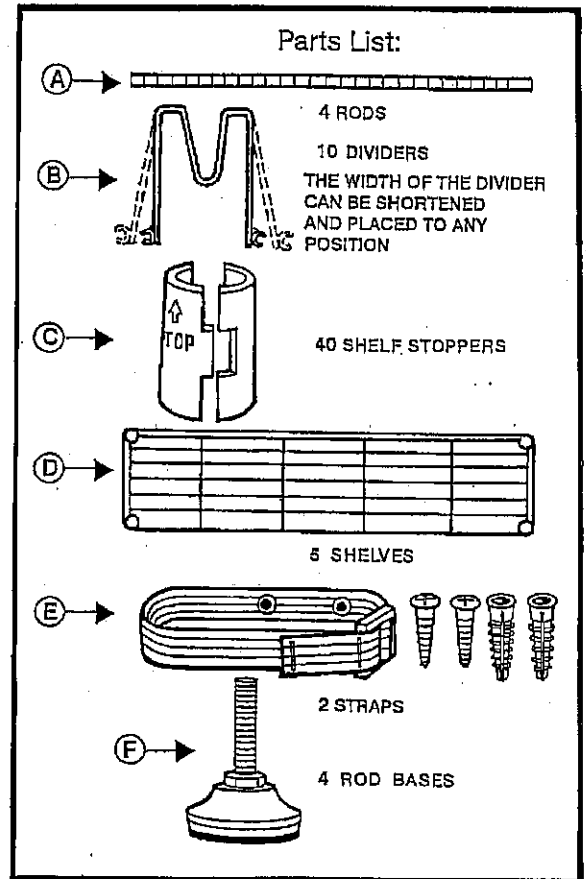
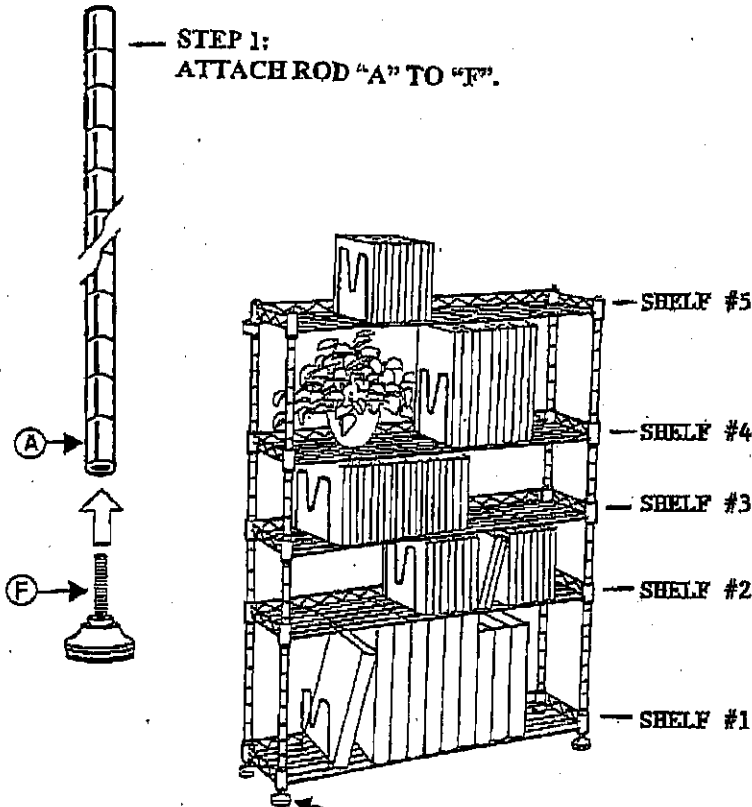


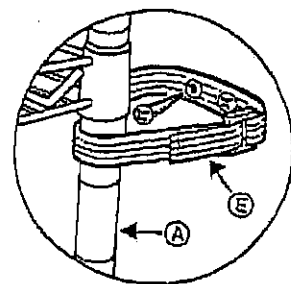
ATLANTIC® MULTI-MEDIA STORAGE

MODELS 3010-4010



STEP 2:
PLACE A STOPPER, "C" ON ALL ASSEMBLED RODS, AT THE DESIRED HEIGHT. ALL 4 STOPPERS, MUST BE AT THE SAME LEVEL.

STEP 3:
FOLLOW STEP 2 FOR THE OTHER SHELVES (SHELVES 2, 3, 4 AND 5).



STEP 4:
TO SECURE THE STORAGE UNIT TO THE WALL, USE THE STRAP PROVIDED AND SCREW TO THE WALL.

