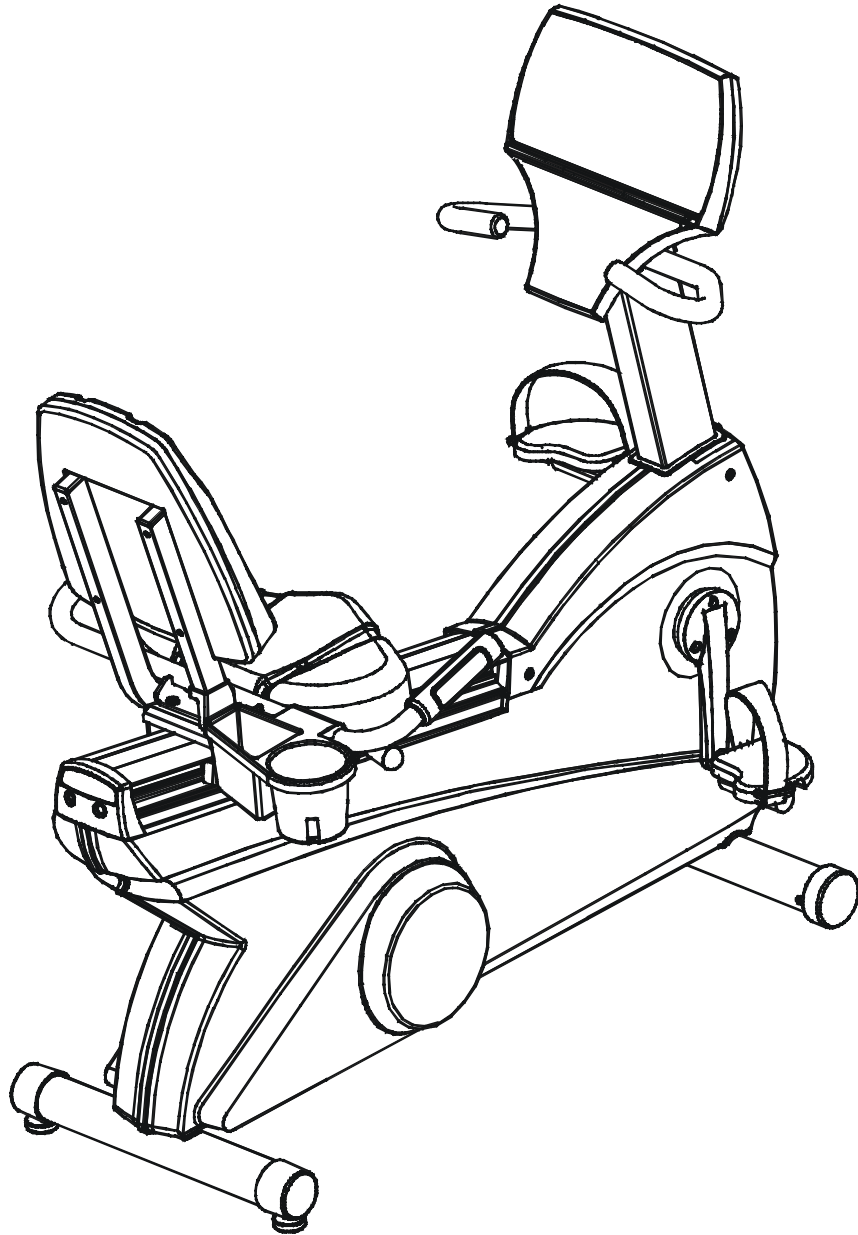


LifeFitness

Arctic Silver 93RW Recumbent Bike



Customer Support Services
PARTS MANUAL revised 29 Apr 2008

ARCTIC SILVER 93RW
REFERENCES

93RW-0XXX-02
S/N CCO100000 and UP

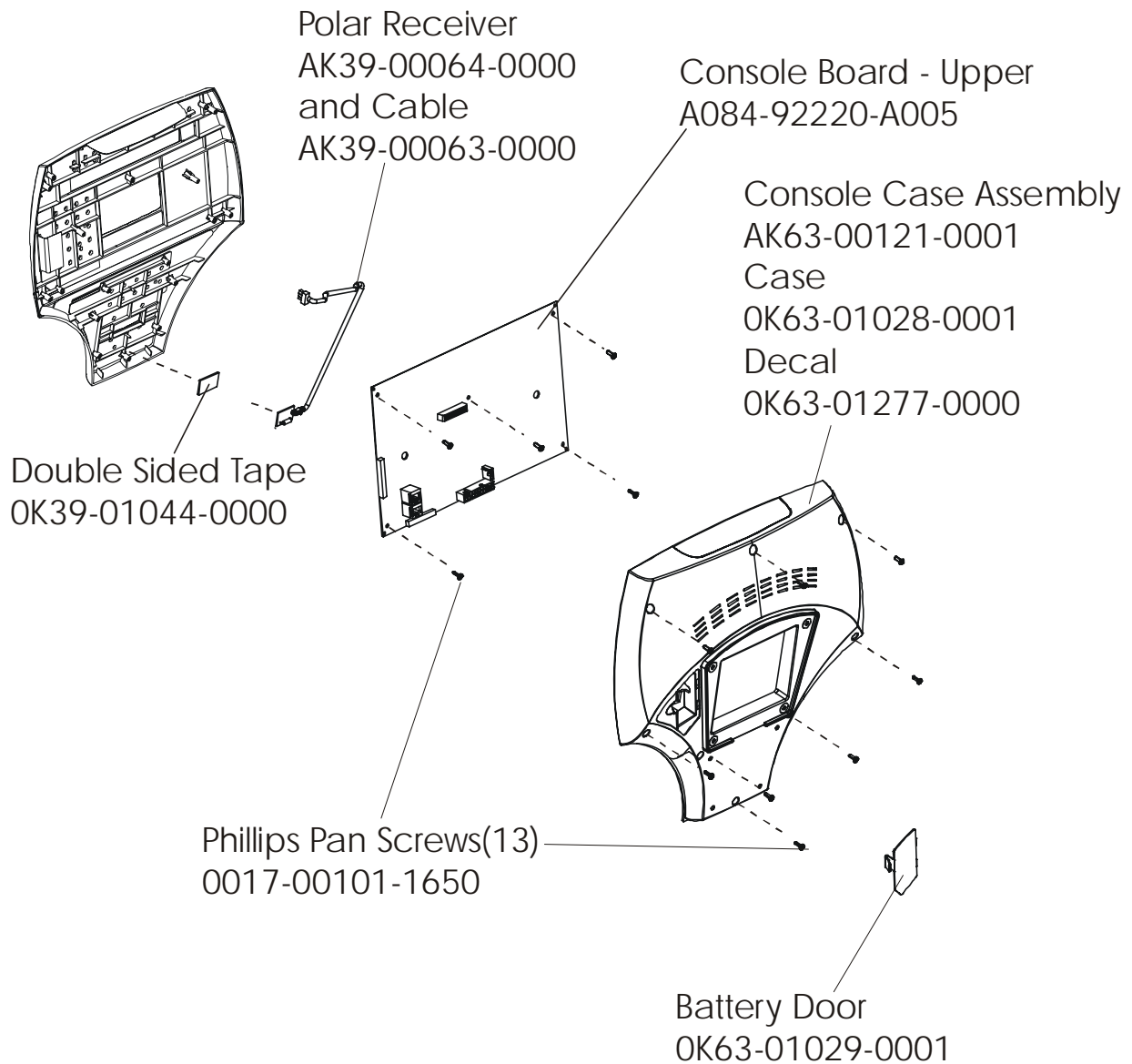
| | |
|---|---|
| OPERATION MANUAL | M051-00K39-A020 |
| NETWORK C-SAFE KIT | GK63-00002-0003 |
| HARDWARE BAG | GK39-00002-0008 |
| CONNECTION BRACKET ASSEMBLY ASSEMBLY CONSISTS OF: 1) COAX CABLE 2) POWER CABLE 3) POWER/COAX INPUT BRACKET 4) F TYPE CONNECTOR | AK39-00093-0000 AK32-00020-0001 AK32-00078-0001 OK39-01087-0000 0017-00021-2846 |
| TOUCH UP PAINT: SPRAY CAN .5 OZ BOTTLE W/APPLICATOR .33 OZ PEN | 0017-00008-0204 0017-00008-0205 0017-00008-0206 |
| SERVICE MANUAL | M051-00K39-A012 |

**NOTE: ADDING THE BOLT ON LCD SCREEN TO THE
93RW-0XXX-02 MAKES THE UNIT 93RER-0XXX-02.**

| | Page |
|---|------|
| CONSOLE COMPONENTS | 4 |
| CONSOLE SUPPORT ASSEMBLY | 5 |
| SHROUDS, END CAP, CRANKARMS AND PEDALS | 6 |
| BELTS AND 6V BATTERY | 7 |
| RESISTOR ASSEMBLY | 8 |
| POWER CONTROL BOARD | 9 |
| ALTERNATOR W/PULLEY | 10 |
| CRANKSHAFT AND BEARING ASSEMBLY | 11 |
| INTERMEDIATE SHAFT AND BEARING ASSEMBLY | 12 |
| IDLER BRACKET ASSEMBLY | 13 |
| SEAT ASSEMBLY | 14 |
| SEAT BOTTOM ASSEMBLY | 15 |
| SEAT FRAME ASSEMBLY | 16 |
| SEAT PADS AND ACCESSORY TRAY | 17 |
| EXTRUSION ASSEMBLY | 18 |
| SEAT LOCKING ASSEMBLY | 19 |
| WHEEL AND LEVELER | 20 |
| CABLES | 21 |

ARCTIC SILVER 93RW
Console Components

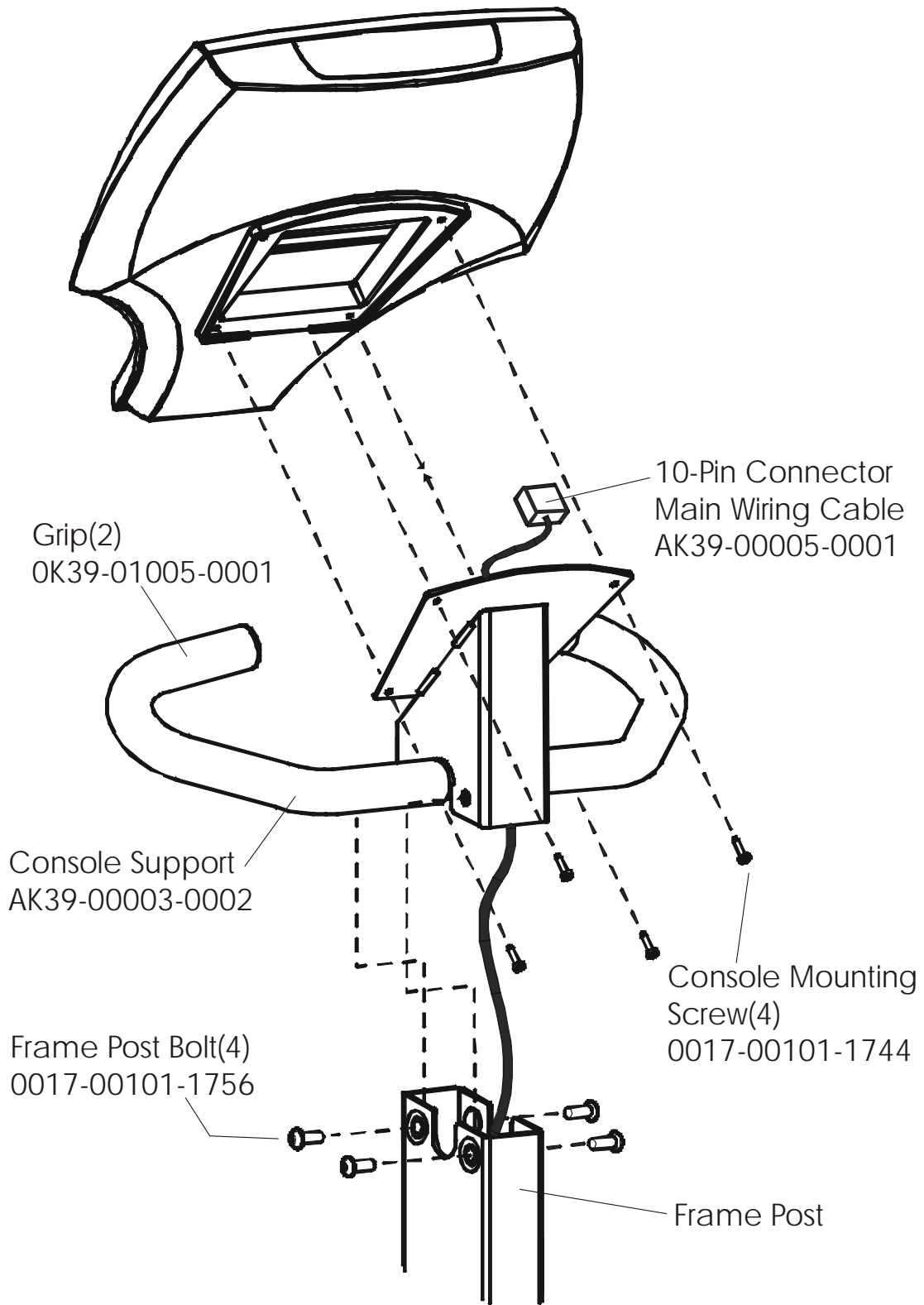
93RW-0XXX-02
S/N CCO100000 and UP



| Console Assembly | Overlay/Bezel/Switch Assy. |
|-------------------------|----------------------------|
| AK39-00071-0001 Eng Met | AK63-00166-0001 Eng Met |
| AK39-00071-0003 Ger Met | AK63-00166-0003 Ger Met |
| AK39-00071-0004 Spn Met | AK63-00166-0004 Spn Met |
| AK39-00071-0006 Jap Met | AK63-00166-0006 Jap Met |
| AK39-00071-0007 Frn Met | AK63-00166-0007 Frn Met |
| AK39-00071-0008 Itl Met | AK63-00166-0008 Itl Met |
| AK39-00071-0009 Dut Met | AK63-00166-0009 Dut Met |
| AK39-00071-0010 Por Met | AK63-00166-0010 Por Met |

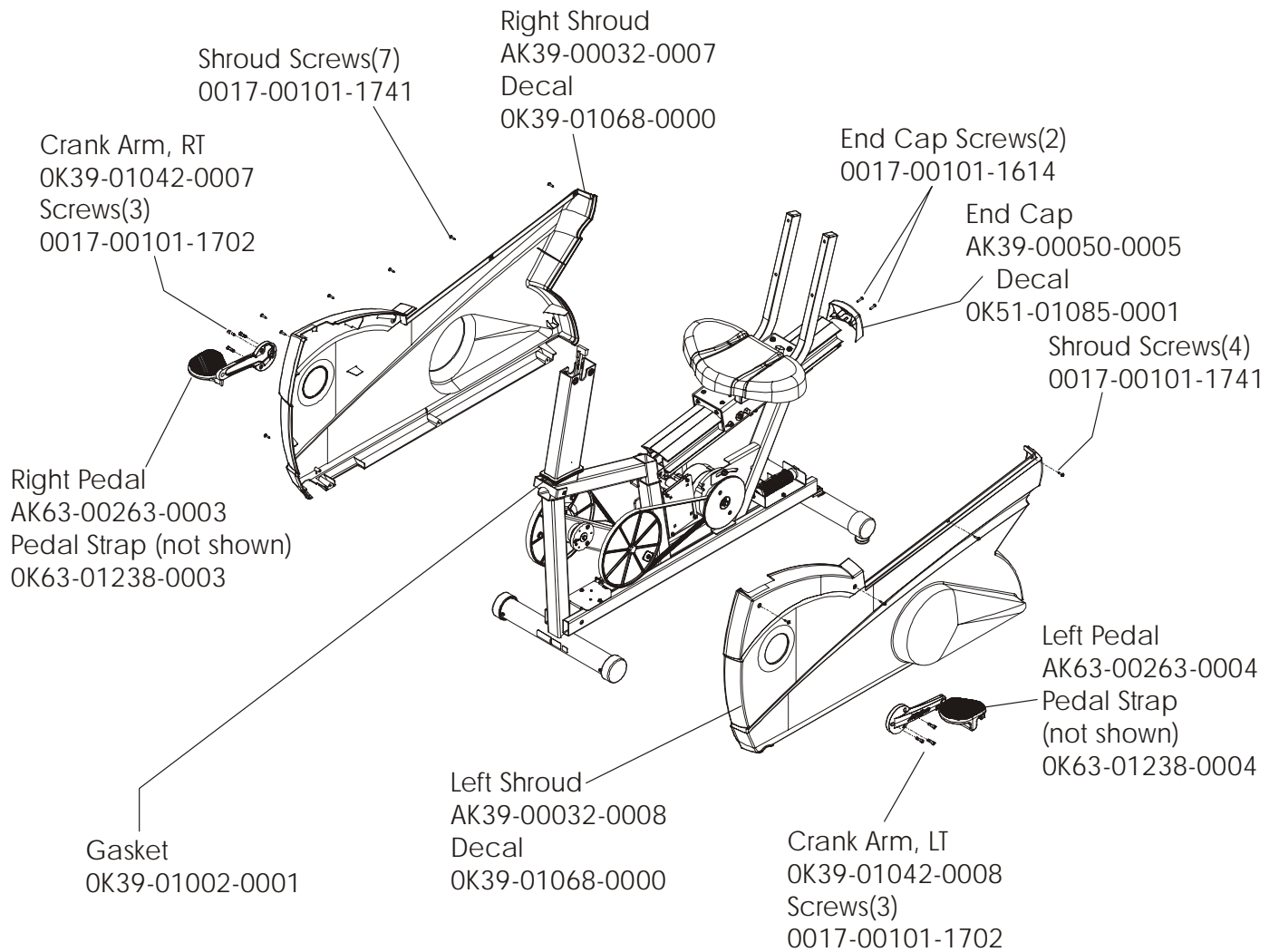
ARCTIC SILVER 93RW
Console Support Assembly

93RW-0XXX-02
S/N CCO100000 and UP



ARCTIC SILVER 93RW
Shrouds, End cap and Pedals

93RW-0XXX-02
S/N CCO100000 and UP

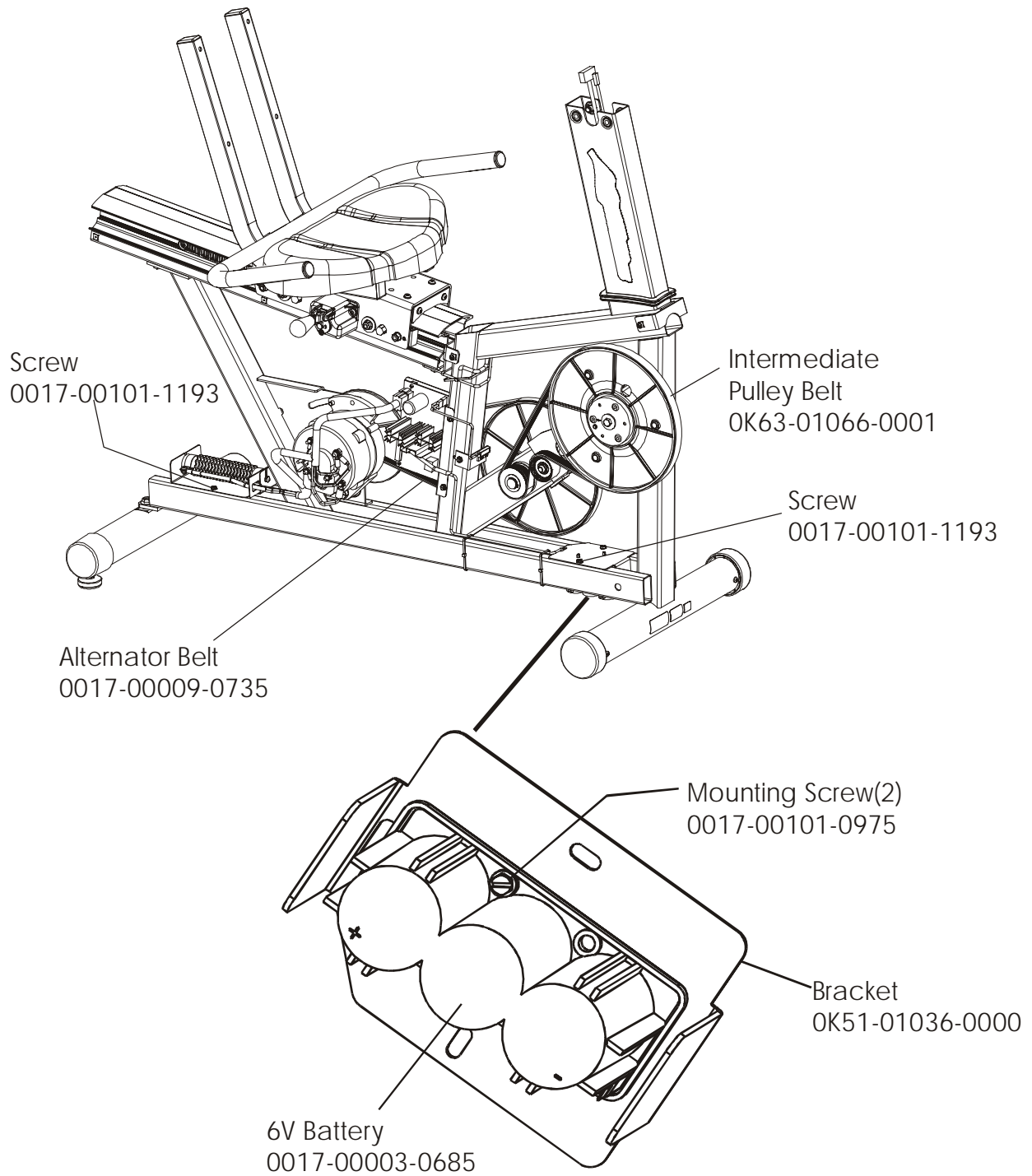


ARCTIC SILVER 93RW

Belts

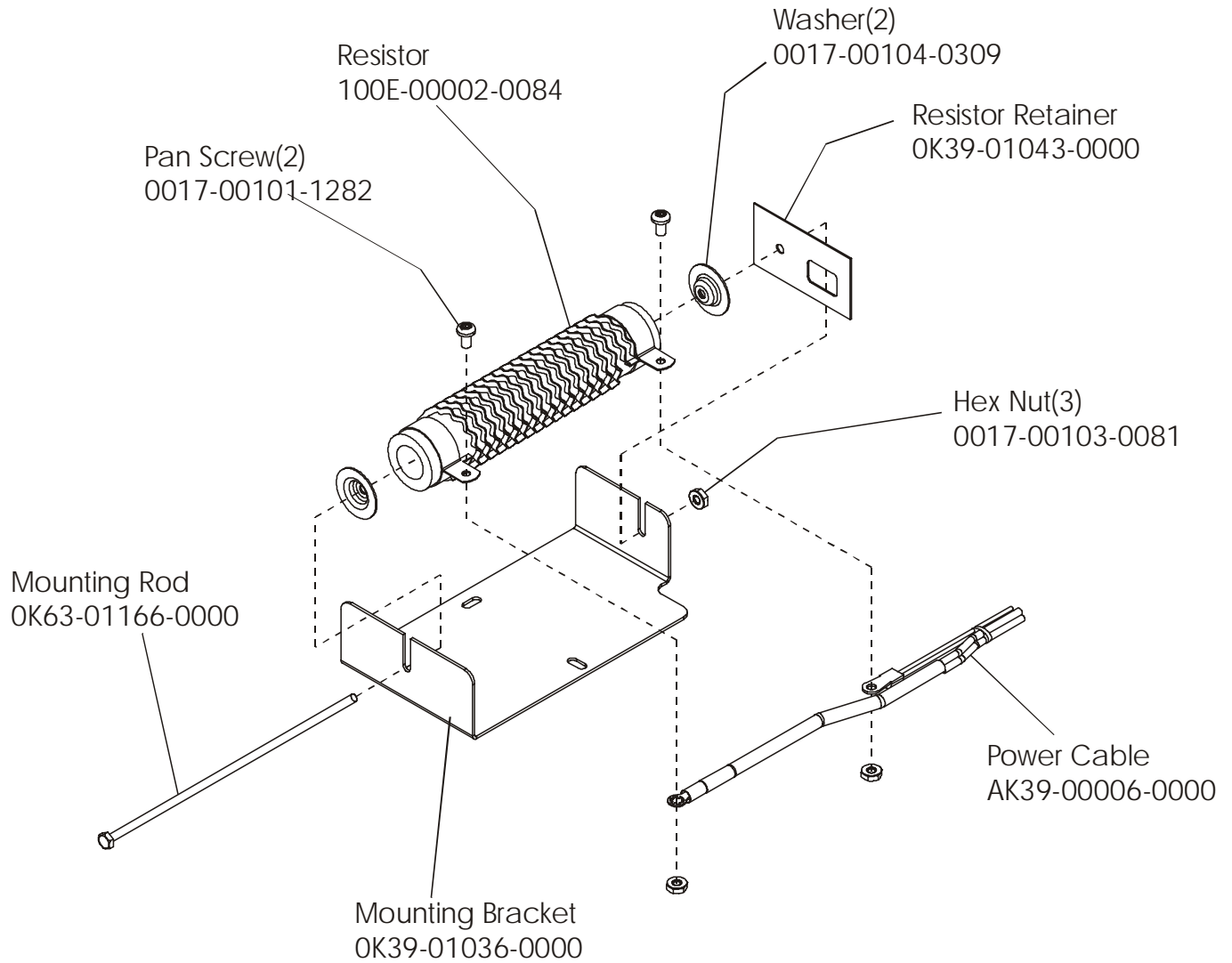
93RW-0XXX-02

S/N CCO100000 and UP



ARCTIC SILVER 93RW
Resistor Assembly

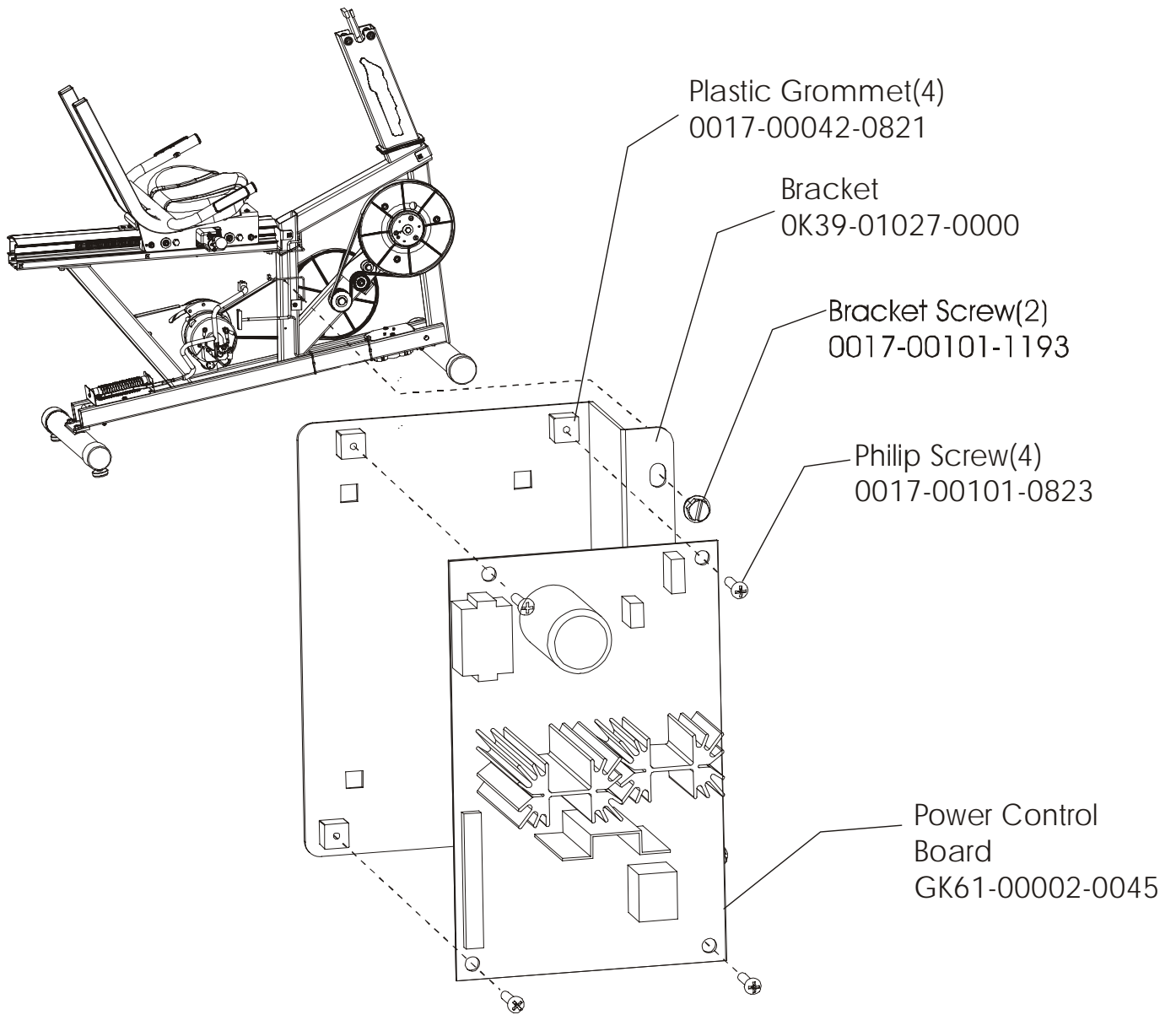
93RW-0XXX-02
S/N CCO100000 and UP



ARCTIC SILVER 93RW
Power Control Board

93RW-0XXX-02
S/N CCO100000 and UP

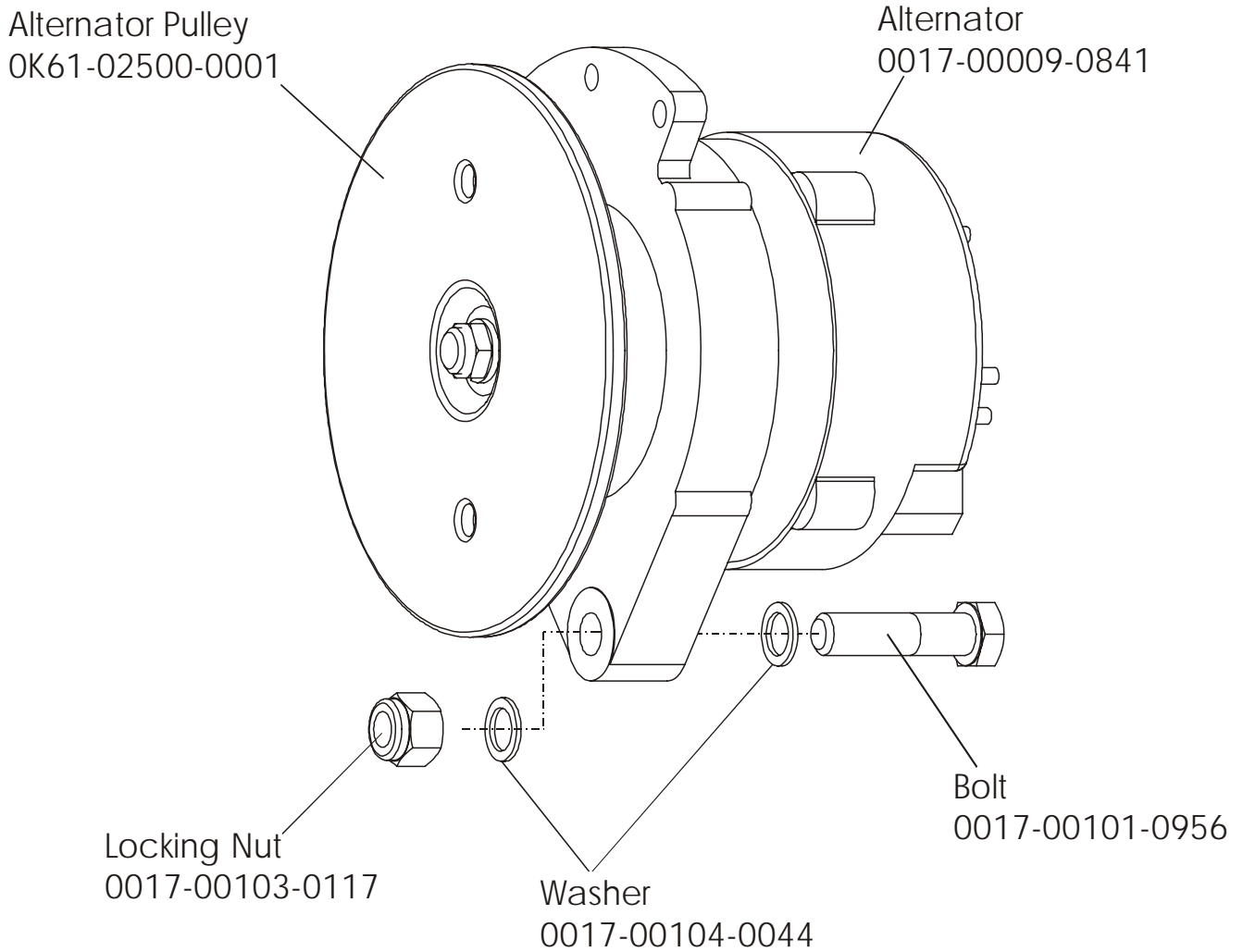
Assembly Number - AK39-00022-0001



ARCTIC SILVER 93RW
Alternator w/Pulley Assembly

93RW-0XXX-02
S/N CCO100000 and UP

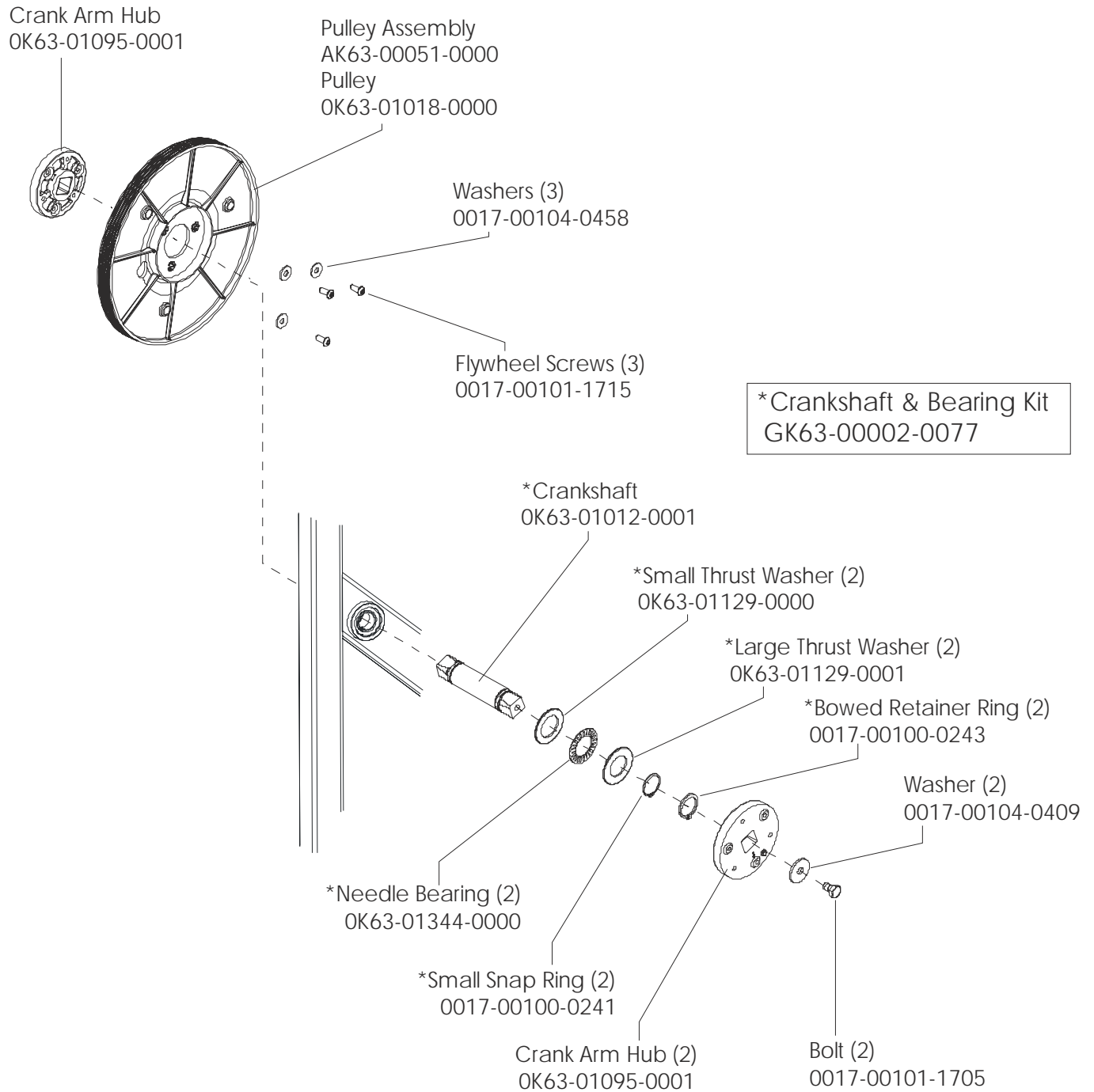
Assembly Number – AK63-00093-0000



ARCTIC SILVER 93RW

Crank Shaft and Bearing Assembly

93RW-0XXX-02
S/N CCO100000 and UP



ARCTIC SILVER 93RW

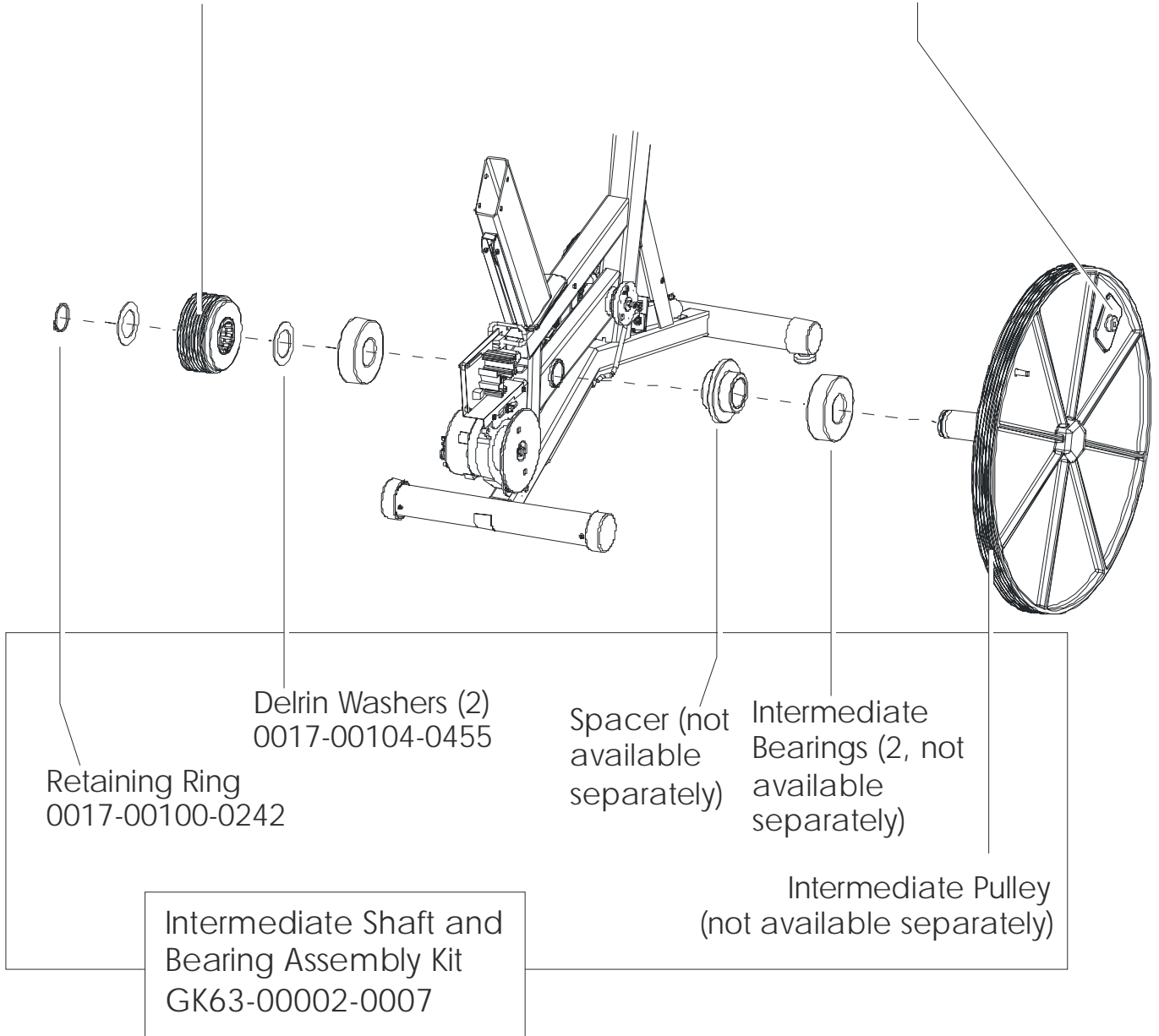
Intermediate Shaft and Bearing Assembly

93RW-0XXX-02

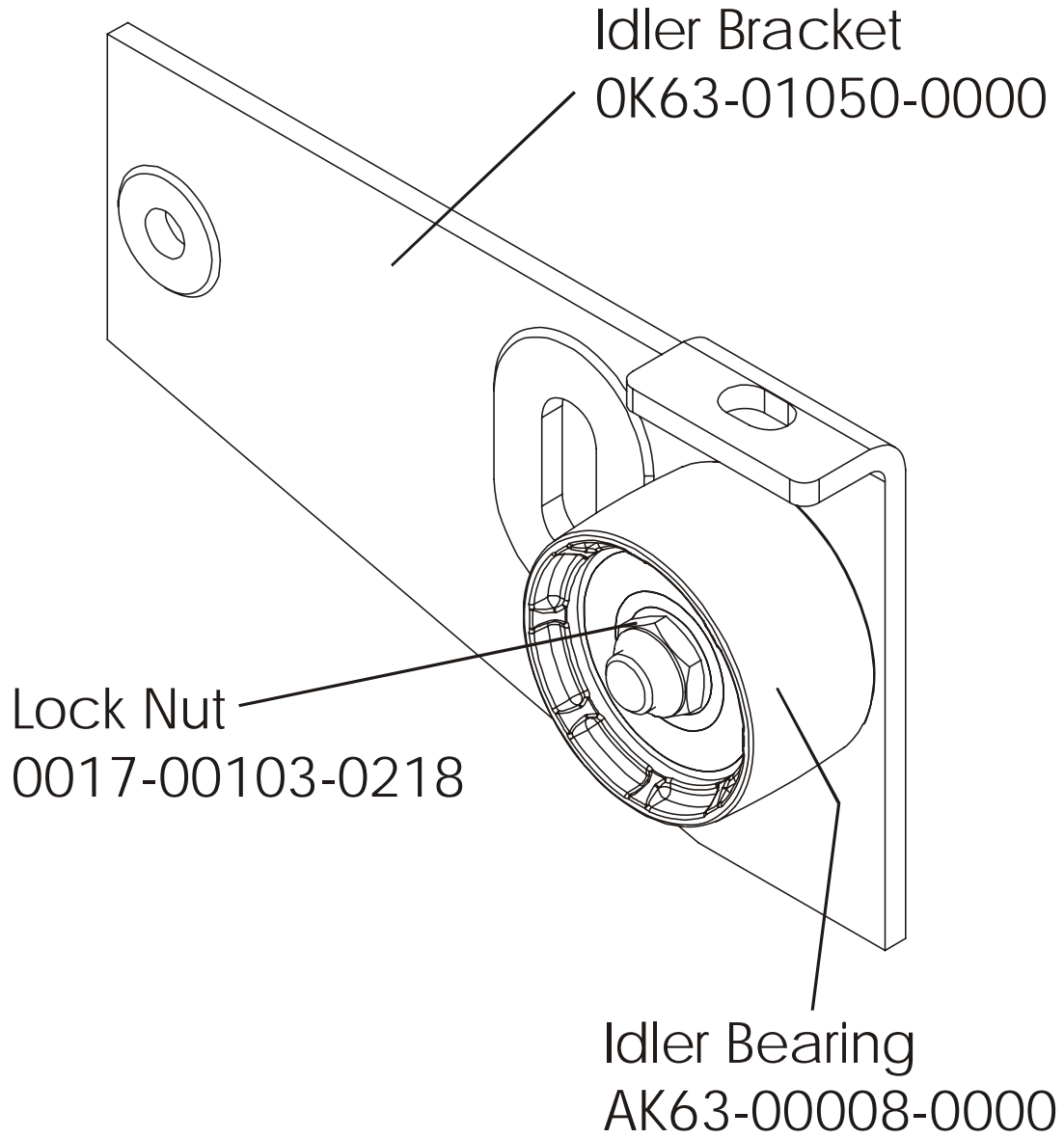
S/N CCO100000 and UP

Clutch Assembly
AK63-00026-0000
(not included in kit)

Magnet
118E-00001-0124
(not included in kit)

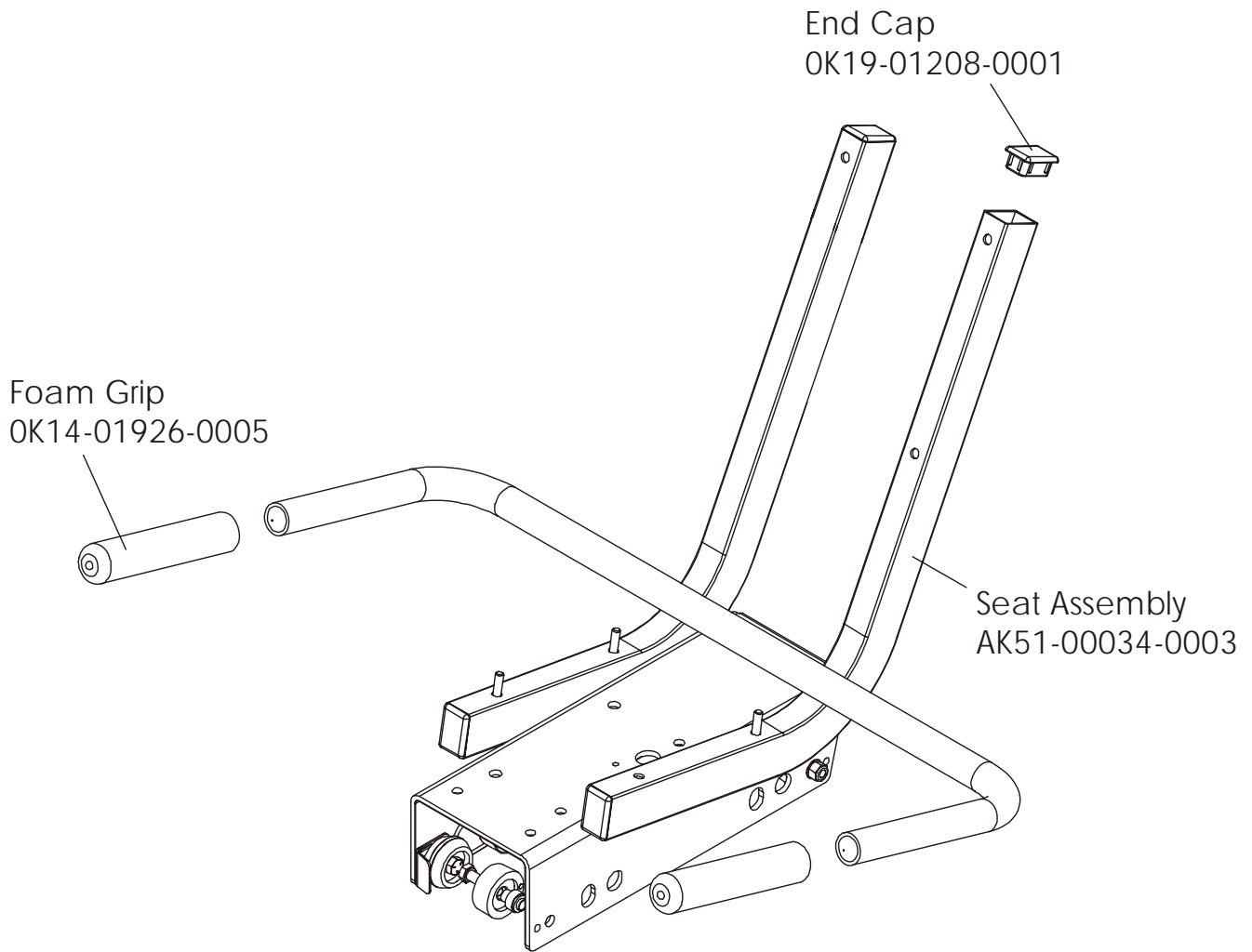


Idler Bracket Assembly – AK63-00021-0000



ARCTIC SILVER 93RW
Seat Assembly

93RW-0XXX-02
S/N CCO10000 and UP

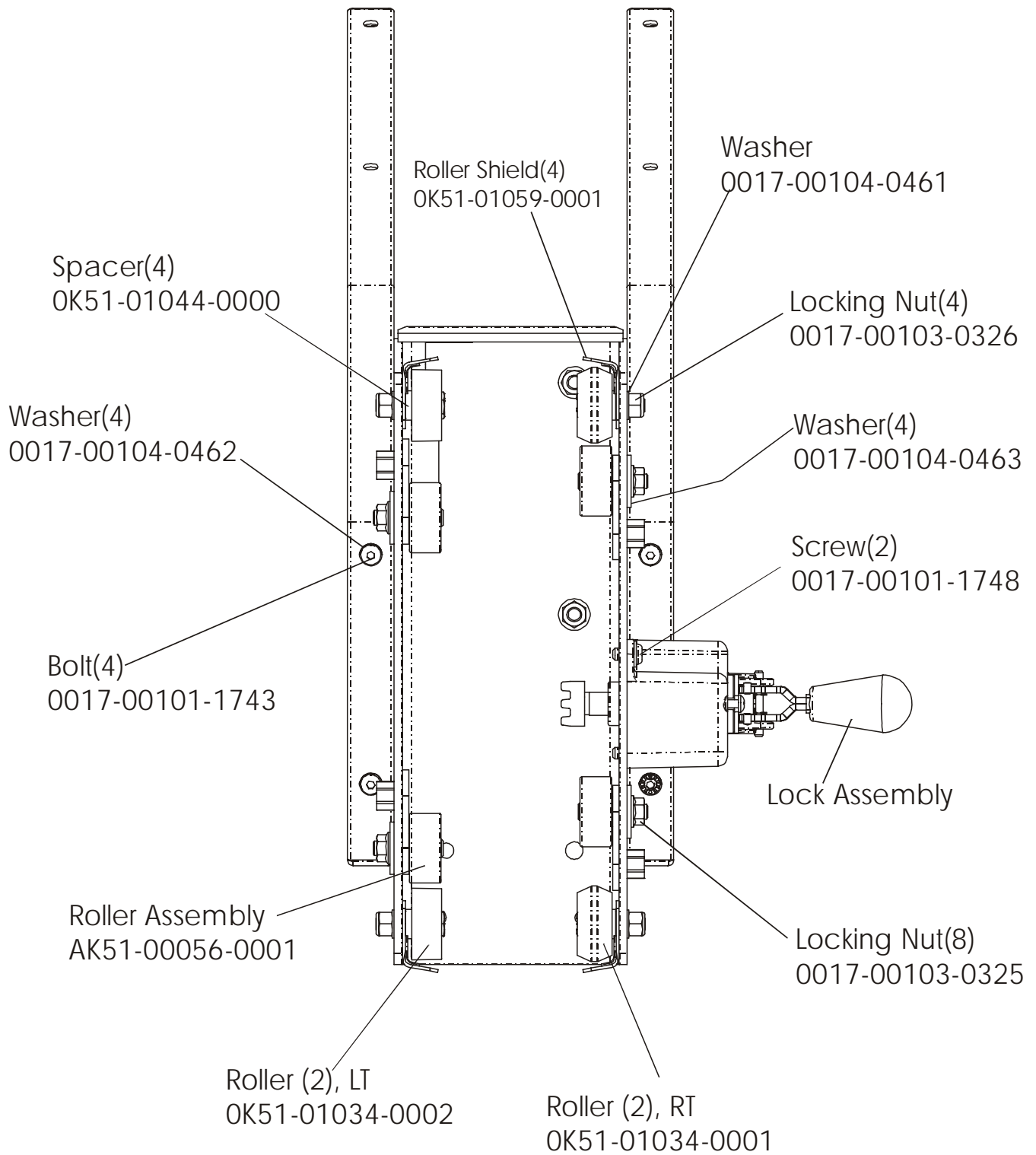


ARCTIC SILVER 93RW

Seat Assembly - Bottom

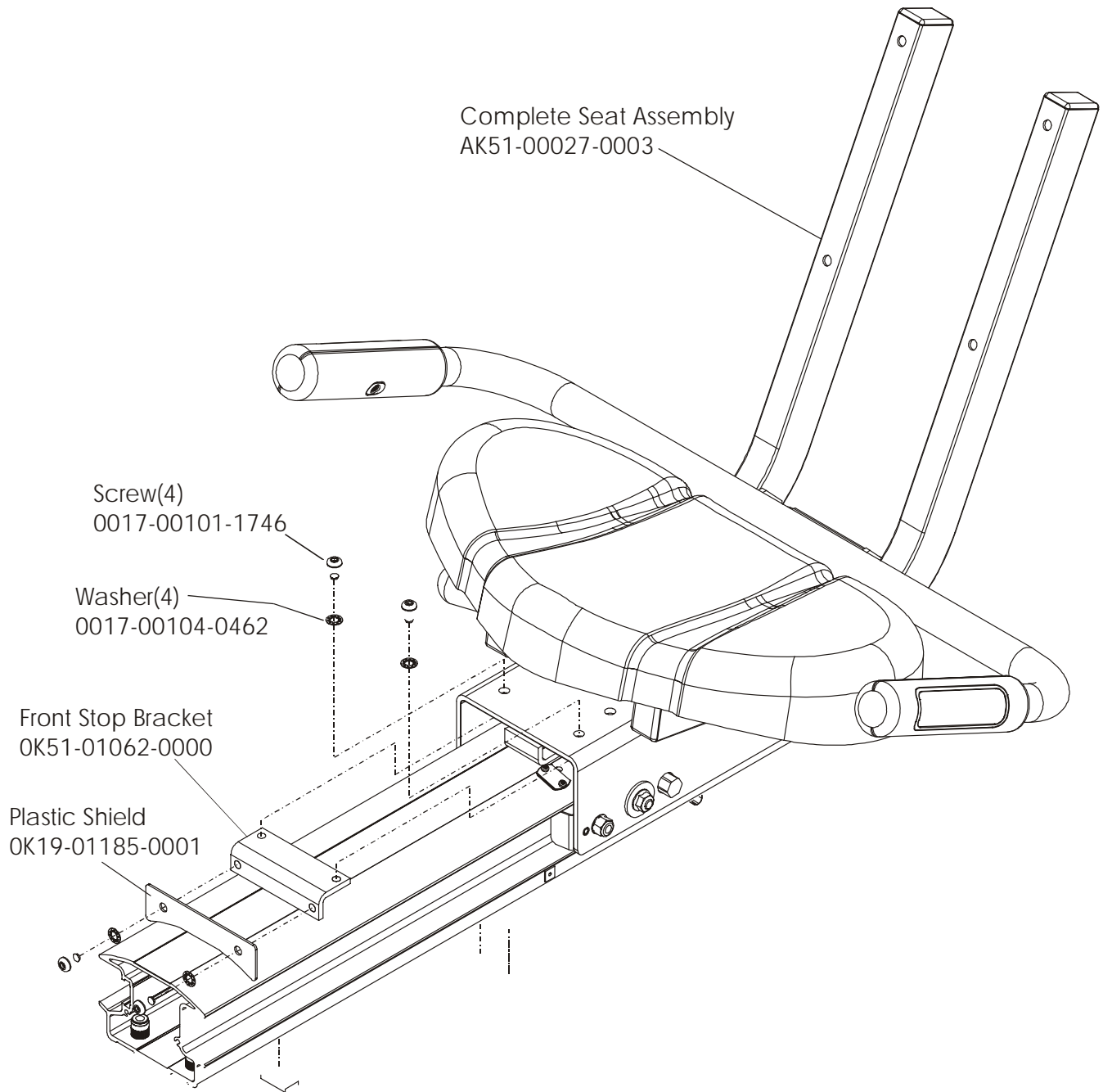
93RW-0XXX-02

S/N CCO10000 and UP



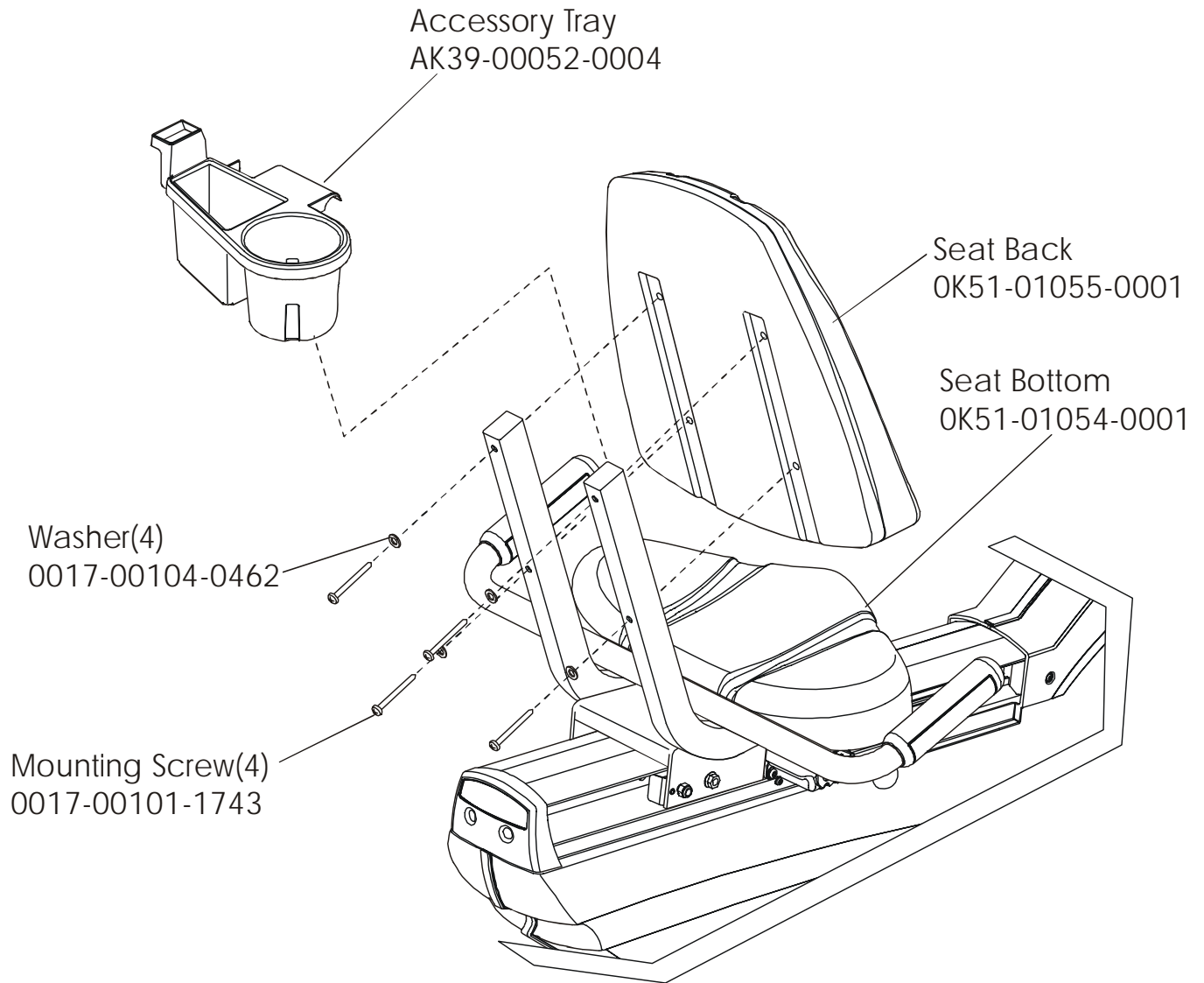
ARCTIC SILVER 93RW
Seat Frame Assembly

93RW-0XXX-02
S/N CCO100000 and UP



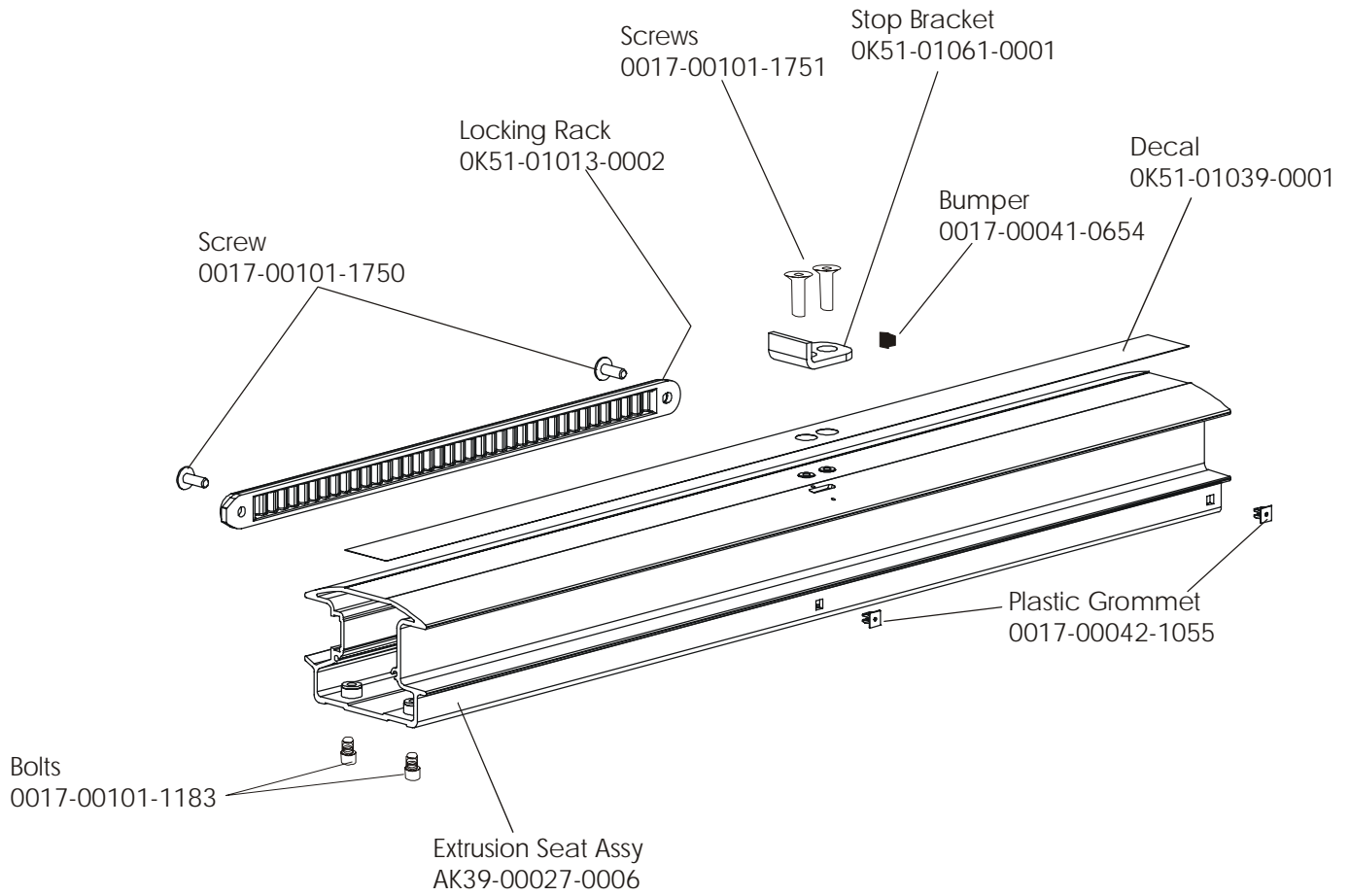
ARCTIC SILVER 93RW
Seat Pads and Accessory Tray

93RW-0XXX-02
S/N CCO100000 and UP



ARCTIC SILVER 93RW
Extrusion Assy. – AK39-00027-0006

93RW-0XXX-02
S/N CCO100000 and UP

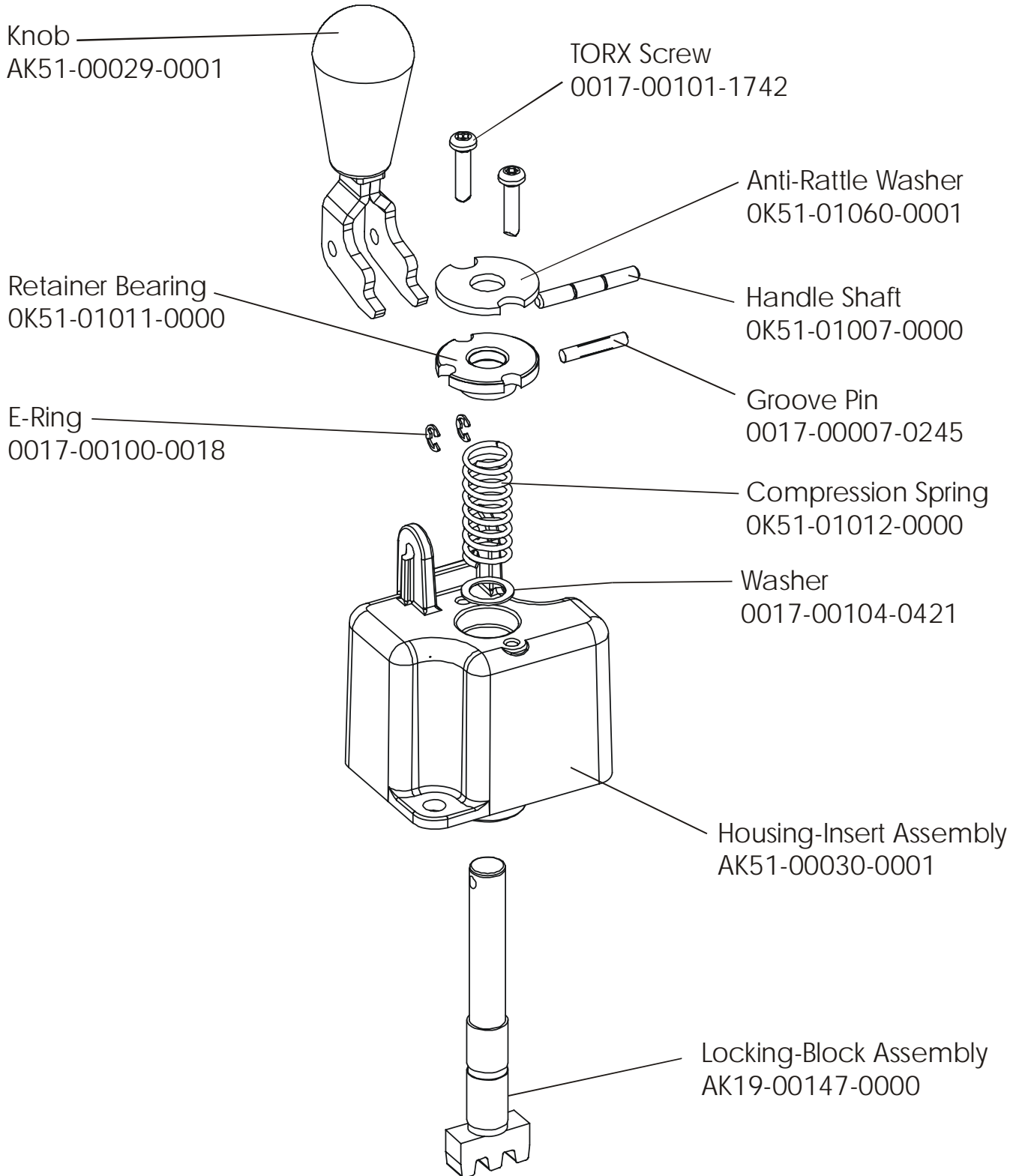


ARCTIC SILVER 93RW

Locking Assembly – AK51-00053-0001

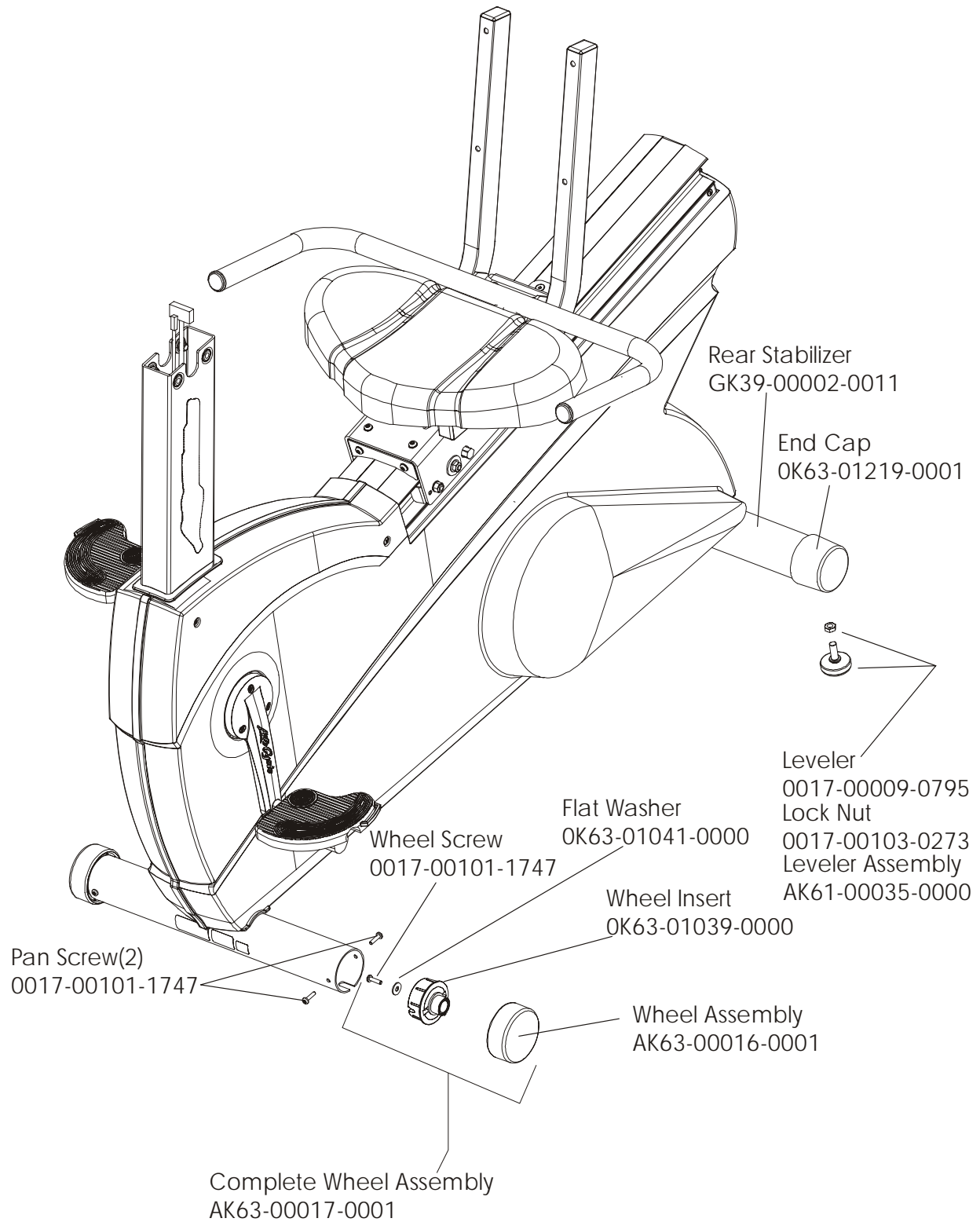
93RW-0XXX-02

S/N CCO100000 and UP



ARCTIC SILVER 93RW
Wheel and Leveler

93RW-0XXX-02
S/N CCO100000 and UP



ARCTIC SILVER 93RW

Cables

93RW-0XXX-02
S/N CCO100000 and UP

