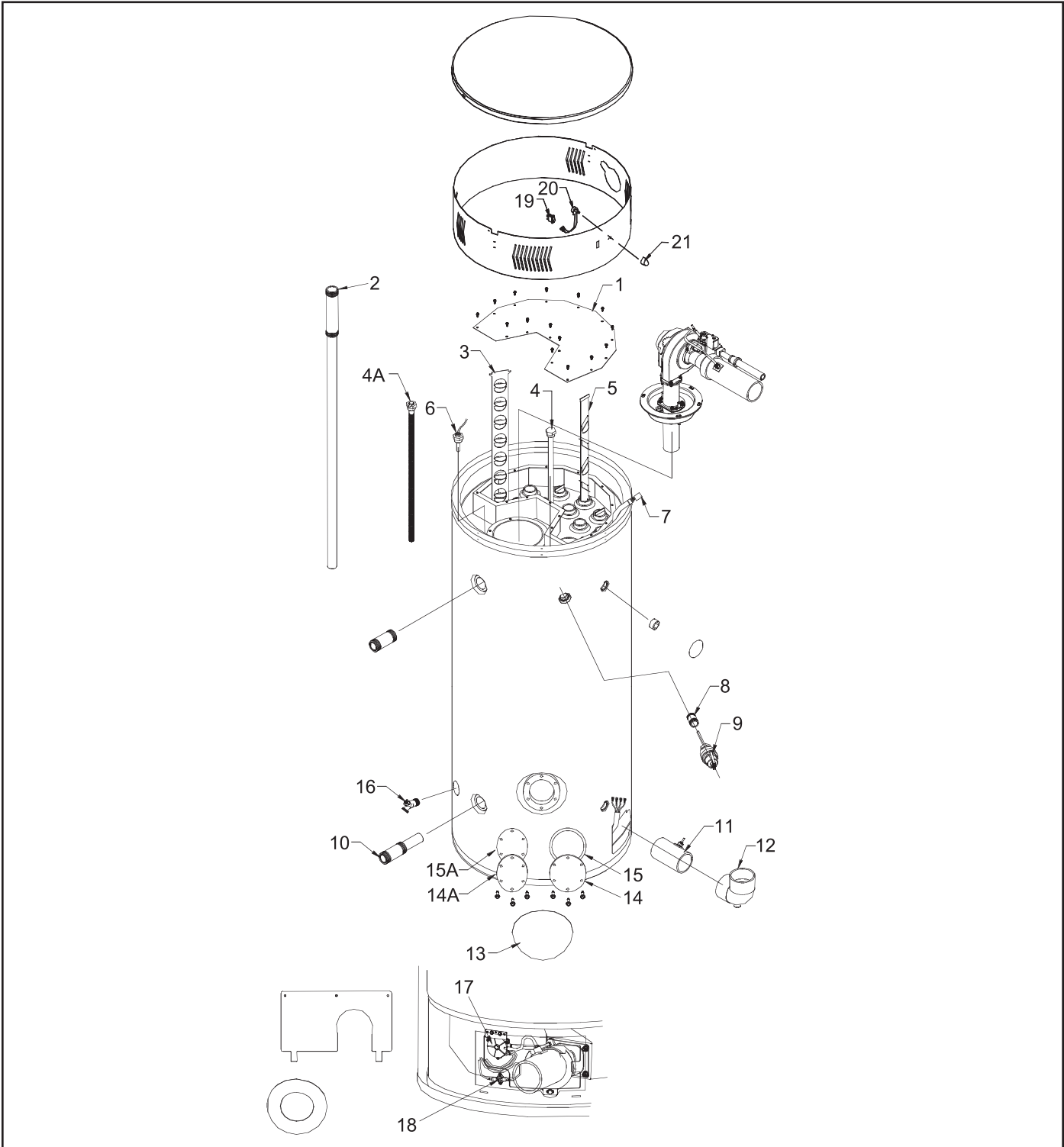




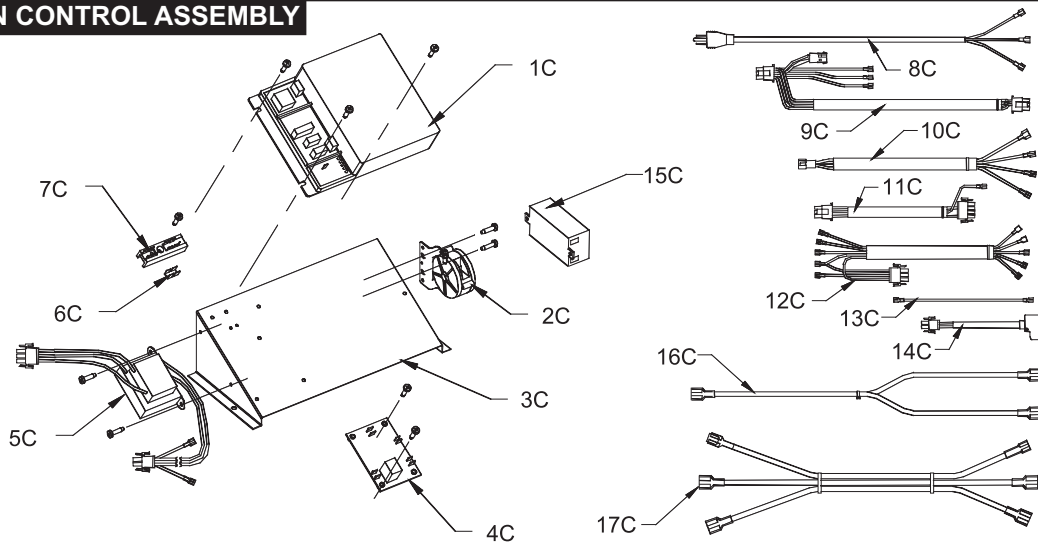
PARTS & SERVICE DEPARTMENT
Nashville, Tennessee
615-889-8900 • Fax: 615-547-1000
www.Lochinvar.com

Replacement Parts List

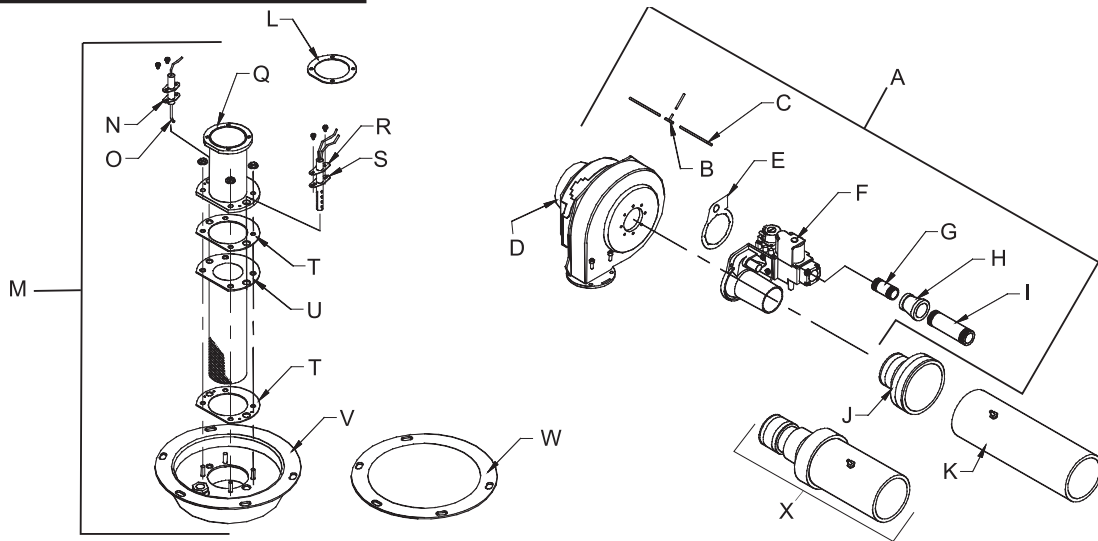
TurboCharger® Water Heater



IGNITION CONTROL ASSEMBLY



COMBUSTION SYSTEM ASSEMBLY



ITEM	DESCRIPTION	MODEL NUMBERS / PART NUMBERS			
		T (N,L)R125-060	T(N,L)R150-060	T(N,L)R150-100	T(N,L)R200-060
1	Second Pass Top Collector Cover	JKT1014	JKT1014	JKT1014	JKT1014
2	Cold Water Inlet Dip Tube, Stainless (Before AB)	-	-	WTR1122	-
3	Baffle 4" Flue (2 Req'd)	JKT1207	JKT1207	-	JKT1207
4	Magnesium Anode (4 Req'd)	WTR1001	WTR1001	WTR1123	WTR1001
5	Baffle 2" Flue (8 Req'd)	JKT1204	JKT1204	JKT1208	JKT1204
6	Thermostat Sensor Probe	TST1188	TST1188	TST1188	TST1188
7	Wire Harness - Service Panel	WRE1068	WRE1068	WRE1059	WRE1068
8	Nipple 3/4" NPT	MSC1060	MSC1060	MSC1060	MSC1060
8	Nipple 1" NPT	-	-	-	-
9	3/4" T&P Relief Valve	RLV1014	RLV1014	RLV1014	RLV1014
9	1" T&P Relief Valve	-	-	-	-
10	Side Inlet Tube, Nipple 1 1/2" NPT (After AB)	WTR1026	WTR1026	WTR1026	WTR1026
11	Exhaust Pipe (PVC) with Barb/Tap	DRH1200	DRH1200	DRH1200	DRH1200
12	Condensate Trap Elbow	DRH1201	DRH1201	DRH1201	DRH1201
13	Cleanout Jacket Cover	WTR1024	WTR1024	WTR1024	WTR1024
14	Cleanout Cover	WTR1022	WTR1022	WTR1022	WTR1022
14A	Cleanout Cover ASME	WTR1039	WTR1039	WTR1039	WTR1039
15	Cleanout Gasket	GKT1010	GKT1010	GKT1010	GKT1010
15A	Cleanout Gasket ASME	GKT2101	GKT2101	GKT2101	GKT2101
16	No Handle Brass Drain Valve	DRV1007	DRV1007	DRV1007	DRV1007
17	Pressure Switch (CE & AFTER)	PRS1034	PRS1034	PRS1034	PRS1034
17	Pressure Switch (AA thru CE)	PRS1026	PRS1019	PRS1016	PRS1016
17	Pressure Switch (Before AA)	PRS1036	PRS1037	PRS1025	PRS1025
18	Collector Limit Switch	SWT1002	SWT1002	SWT1002	SWT1002
19	Switch Main Power	SWT1000	SWT1000	SWT1000	SWT1000
20	Potentiometer	TST1091	TST1091	TST1091	TST1091
21	Potentiometer Knob	TST1096	TST1096	TST1096	TST1096

ITEM	DESCRIPTION	MODEL NUMBERS / PART NUMBERS			
		T (N,L)R200-100	T(N,L)R250-100	T(N,L)R300-100	T(N,L)R400-100
1	Second Pass Top Collector Cover	JKT1014	JKT1014	JKT1014	JKT1014
2	Cold Water Inlet Dip Tube, Stainless (Before AB)	WTR1122	WTR1122	WTR1122	-
3	Baffle 4" Flue (2 Req'd)	JKT1207	JKT1207	JKT1207	JKT1213
4	Magnesium Anode (4 Req'd)	WTR1123	WTR1123	WTR1123	WTR1123*
4A	Power Anode (2 Req'd)	-	-	-	WTR1211
5	Baffle 2" Flue (8 Req'd)	JKT1208	JKT1208	JKT1208	JKT1208
6	Thermostat Sensor Probe	TST1188	TST1188	TST1188	TST1188
7	Wire Harness - Service Panel	WRE1059	WRE1059	WRE1059	WRE1059
8	Nipple 3/4" NPT	MSC1060	-	-	-
8	Nipple 1" NPT	-	GLV2849	GLV2849	GLV2849
9	3/4" T&P Relief Valve	RLV1014	-	-	-
9	1" T&P Relief Valve	-	RLV1015	RLV1015	RLV1015
10	Side Inlet Tube, Nipple 1 1/2" NPT (After AB)	WTR1026	WTR1026	WTR1026	WTR1026
11	Exhaust Pipe (PVC) with Barb/Tap	DRH1200	DRH1200	DRH1200	-
12	Condensate Trap Elbow	DRH1201	DRH1201	DRH1201	DRH1202
13	Cleanout Jacket Cover	WTR1024	WTR1024	WTR1024	WTR1024
14	Cleanout Cover	WTR1022	WTR1022	WTR1022	WTR1022
14A	Cleanout Cover ASME	WTR1039	WTR1039	WTR1039	WTR1039
15	Cleanout Gasket	GKT1010	GKT1010	GKT1010	GKT1010
15A	Cleanout Gasket ASME	GKT2101	GKT2101	GKT2101	GKT2101
16	No Handle Brass Drain Valve	DRV1007	DRV1007	DRV1007	DRV1007
17	Pressure Switch (CE & AFTER)	PRS1034	PRS1034	PRS1034	PRS1034
17	Pressure Switch (AA thru CE)	PRS1016	PRS1028	PRS1028	-
17	Pressure Switch (Before AA)	PRS1025	PRS1028	PRS1028	-
18	Collector Limit Switch	SWT1002	SWT1002	SWT1002	SWT1002
19	Switch Main Power	SWT1000	SWT1000	SWT1000	SWT1000
20	Potentiometer	TST1091	TST1091	TST1091	TST1091
21	Potentiometer Knob	TST1096	TST1096	TST1096	TST1096
IGNITION CONTROL ASSEMBLY					
		T(N,L)R125-060	T(N,L)R200-060		
		T(N,L)R150-060	T(N,L)R250-100	T(N,L)R300-100	T(N,L)R400-100
		T(N,L)R150-100	T(N,L)A251-100	T(N,L)A301-100	T(N,L)A401-100
1C	Electronics Control Module	RLY1141	RLY1141	RLY1141	RLY1141
2C	Vacuum Switch (PRIOR TO CE ONLY)	PRS1015	PRS1015	PRS1015	-
3C	Control Mounting Panel	PAN1006	PAN1006	PAN1006	PAN1006
4C	Thermostat PC board	TST1291	TST1291	TST1291	TST1291
5C	Transformer -120V	TRF1043	TRF1043	TRF1043	TRF1043
6C	Terminal	MSC1115	MSC1115	MSC1115	MSC1115
7C	Terminal Strip	MSC1116	MSC1116	MSC1116	MSC1116
8C	Power Cord	WRE1060	WRE1060	WRE1060	WRE1060
9C	Controller Wire Harness	WRE1061	WRE1061	WRE1061	WRE1061
10C	Thermostat Wire Harness	WRE1062	WRE1062	WRE1062	WRE1062
11C	Blower Wire Harness	WRE1064	WRE1064	WRE1064	WRE1064
12C	Power switch Wire Harness	WRE1065	WRE1065	WRE1065	WRE1065
13C	Flame Sensor wire	WRE1066	WRE1066	WRE1066	WRE1066
14C	Rectifier Harness	WRE1067	WRE1067	WRE1067	WRE1031
15C	Potentiostat for Power Anode	-	-	-	TST1086
16C	Harness, Power Anode	-	-	-	WRE1032
17C	Harness, Power Control	-	-	-	WRE1033
COMBUSTION SYSTEM ASSEMBLY					
		T(N,L)R125-060	T(N,L)R150-060	T(N,L)R150-100	T(N,L)R200-060
A	Blower/Gas Valve Assembly NAT (CJ & AFTER)	PVT1034	PVT1035	PVT1035	-
A	Blower/Gas Valve Assembly NAT (BEFORE CJ)	PVT1029	PVT1029	-	-
A	Blower/Gas Valve Assembly LPG (CJ & AFTER)	PVT1036	PVT1037	PVT1037	PVT1039
A	Blower/Gas Valve Assembly LPG (BEFORE CJ)	PVT1028	PVT1028	-	PVT1009
A	Blower/Gas Valve Assembly NAT (AH THRU CJ)	-	-	PVT1029	-
A	Blower/Gas Valve Assembly NAT (BEFORE AH)	-	-	PVT1025	-
A	Blower/Gas Valve Assembly LPG (AH THRU CJ)	-	-	PVT1028	-
A	Blower/Gas Valve Assembly LPG (BEFORE AH)	-	-	PVT1009	-
A	Blower/Gas Valve Assembly NAT (CH & AFTER)	-	-	-	PVT1038
A	Blower/Gas Valve Assembly NAT (BEFORE CH)	-	-	-	PVT1025
B	Tee Hose Connector	MSC1111	MSC1111	MSC1111	MSC1111
C	Hose Silicone	TUB1000	TUB1000	TUB1000	TUB1000
D	Blower w/ Gasket	FAN1011	FAN1011	-	FAN1010

PLEASE HAVE MODEL NUMBER AND SERIAL NUMBER WHEN ORDERING PARTS.

COMBUSTION SYSTEM ASSEMBLY CONTINUED

ITEM	DESCRIPTION	MODEL NUMBERS / PART NUMBERS			
		T(N,L)R125-060	T(N,L)R150-060	T(N,L)R150-100	T(N,L)R200-060
D	Blower w/ Gasket (AH & AFTER)	-	-	FAN1011	-
D	Blower w/ Gasket (BEFORE AH)	-	-	FAN1010	-
E	Gasket Venturi to Blower	GKT1035	GKT1035	GKT1035	GKT1035
F	Gas valve assembly NAT (CJ & AFTER)	VAL1074	VAL1075	VAL1075	-
F	Gas valve assembly NAT (BEFORE CJ)	VAL1005	VAL1005	VAL1005	-
F	Gas valve assembly LPG (CJ & AFTER)	VAL1068	VAL1069	VAL1069	VAL1069
F	Gas valve assembly LPG (BEFORE CJ)	VAL1008	VAL1008	VAL1008	VAL1008
F	Gas valve assembly NAT (CH & AFTER)	-	-	-	VAL1075
F	Gas valve assembly NAT (BEFORE CH)	-	-	-	VAL1005
G	Nipple 1/2 NPT x 3"	GLV1001	GLV1001	GLV1001	GLV1001
H	Reducer 3/4 x 1/2 NPT	GLV2813	GLV2813	GLV2813	GLV2813
I	Nipple 3/4 NPT x 6"	MSC1112	MSC1112	MSC1112	MSC1112
J	2" Diameter Flex Reducer	MSC1007	MSC1007	MSC1007	MSC1007
K	Inlet (PVC)	MSC1114	MSC1114	MSC1114	MSC1114
L	Gasket Blower Transition	GKT1111	GKT1111	GKT1111	GKT1111
M	Burner Assembly	BNR1283	BNR1283	BNR1283	BNR1283
N	Gasket Flame Sensor	GKT1112	GKT1112	GKT1112	GKT1112
O	Flame Sensor with gasket	PLT1150	PLT1150	PLT1150	PLT1150
Q	Weldment - blower transition	MSC1125	MSC1125	MSC1125	MSC1125
R	Hot Surface Ignitor with Gasket	PLT1151	PLT1151	PLT1151	PLT1151
S	Gasket Hot Surface Ignitor	GKT1113	GKT1113	GKT1113	GKT1113
T	Burner Mounting Gasket	GKT1114	GKT1114	GKT1114	GKT1114
U	Burner Tube	BNR1285	BNR1285	BNR1285	BNR1285
V	Burner Mounting Insert	BNR1281	BNR1281	BNR1281	BNR1281
W	Burner Mounting Insert Gasket	GKT1115	GKT1115	GKT1115	GKT1115
W	Burner Mounting Insert Gasket	GKT1115	GKT1115	GKT1115	GKT1115

ITEM	DESCRIPTION	MODEL NUMBERS / PART NUMBERS			
		T(N,L)R200-100	T(N,L)R250-100	T(N,L)R300-100	T(N,L)R400-100
		T(N,L)A251-100	T(N,L)A301-100	T(N,L)A401-100	
A	Blower/Gas Valve Assembly NAT (CH & AFTER)	PVT1038	PVT1041	-	-
A	Blower/Gas Valve Assembly NAT (BEFORE CH)	PVT1025	PVT1005	-	-
A	Blower/Gas Valve Assembly LPG (CH & AFTER)	PVT1039	PVT1043	-	-
A	Blower/Gas Valve Assembly LPG (BEFORE CH)	PVT1009	PVT1019	-	-
A	Blower/Gas Valve Assembly NAT (CJ & AFTER)	-	-	PVT1042	-
A	Blower/Gas Valve Assembly NAT (BEFORE CJ)	-	-	PVT1005	-
A	Blower/Gas Valve Assembly LPG (CJ & AFTER)	-	-	PVT1044	-
A	Blower/Gas Valve Assembly LPG (BEFORE CJ)	-	-	PVT1019	-
A	Blower/Gas Valve Assembly NAT	-	-	-	PVT1045
A	Blower/Gas Valve Assembly LPG	-	-	-	PVT1046
B	Tee Hose Connector	MSC1111	MSC1111	MSC1111	-
C	Hose Silicone	TUB1000	TUB1000	TUB1000	TUB1000
D	Blower w/ Gasket	FAN1010	FAN1010	FAN1010	FAN1009
E	Gasket Venturi to Blower	GKT1035	GKT1035	GKT1035	GKT1036
F	Gas valve assembly NAT (CJ & AFTER)	-	-	VAL1077	-
F	Gas valve assembly NAT (BEFORE CJ)	-	-	VAL1006	-
F	Gas valve assembly LPG (CJ & AFTER)	-	-	VAL1071	-
F	Gas valve assembly LPG (BEFORE CJ)	-	-	VAL1009	-
F	Gas valve assembly LPG (CH & AFTER)	VAL1069	VAL1070	-	-
F	Gas valve assembly LPG (BEFORE CH)	VAL1008	VAL1009	-	-
F	Gas valve assembly NAT (CH & AFTER)	VAL1075	VAL1076	-	-
F	Gas valve assembly NAT (BEFORE CH)	VAL1005	VAL1006	-	-
F	Gas valve assembly NAT	-	-	-	VAL1072
F	Gas valve assembly LPG	-	-	-	VAL1073
G	Nipple 1/2 NPT x 3"	GLV1001	GLV1001	GLV1001	-
G	Nipple 3/4 NPT x 3"	-	-	-	GLV2844
H	Reducer 3/4 x 1/2 NPT	GLV2813	GLV2813	GLV2813	-
H	Reducer 1 x 3/4 NPT	-	-	-	GLV2816
I	Nipple 3/4 NPT x 6"	MSC1112	MSC1112	MSC1112	-
I	Nipple 1" NPT x 3 1/2"	-	-	-	MSC1312
J	2" Diameter Flex Reducer	MSC1007	MSC1007	MSC1007	-
K	Inlet (PVC)	MSC1114	MSC1114	MSC1114	-
L	Gasket Blower Transition	GKT1111	GKT1111	GKT1111	GKT1111
M	Burner Assembly	BNR1283	BNR1284	BNR1284	BNR1284
N	Gasket Flame Sensor	GKT1112	GKT1112	GKT1112	GKT1112
O	Flame Sensor with gasket	PLT1150	PLT1150	PLT1150	PLT1150
Q	Weldment - blower transition	MSC1125	MSC1125	MSC1125	MSC1125
R	Hot Surface Ignitor with Gasket	PLT1151	PLT1151	PLT1151	PLT1151
S	Gasket Hot Surface Ignitor	GKT1113	GKT1113	GKT1113	GKT1113
T	Burner Mounting Gasket	GKT1114	GKT1114	GKT1114	GKT1114
U	Burner Tube	BNR1285	BNR1286	BNR1286	BNR1286
V	Burner Mounting Insert	BNR1281	BNR1281	BNR1281	BNR1281
W	Burner Mounting Insert Gasket	GKT1115	GKT1115	GKT1115	GKT1115
X	Assembly Air Inlet Piping	-	-	-	MSC1313

PLEASE HAVE MODEL NUMBER AND SERIAL NUMBER WHEN ORDERING PARTS.