

PARTS LIST

for



COMMERCIAL GAS DRYER

MODEL
GCGM2991TQ0



FOR CUSTOMER SATISFACTION ALWAYS USE
FACTORY SPECIFICATION PARTS

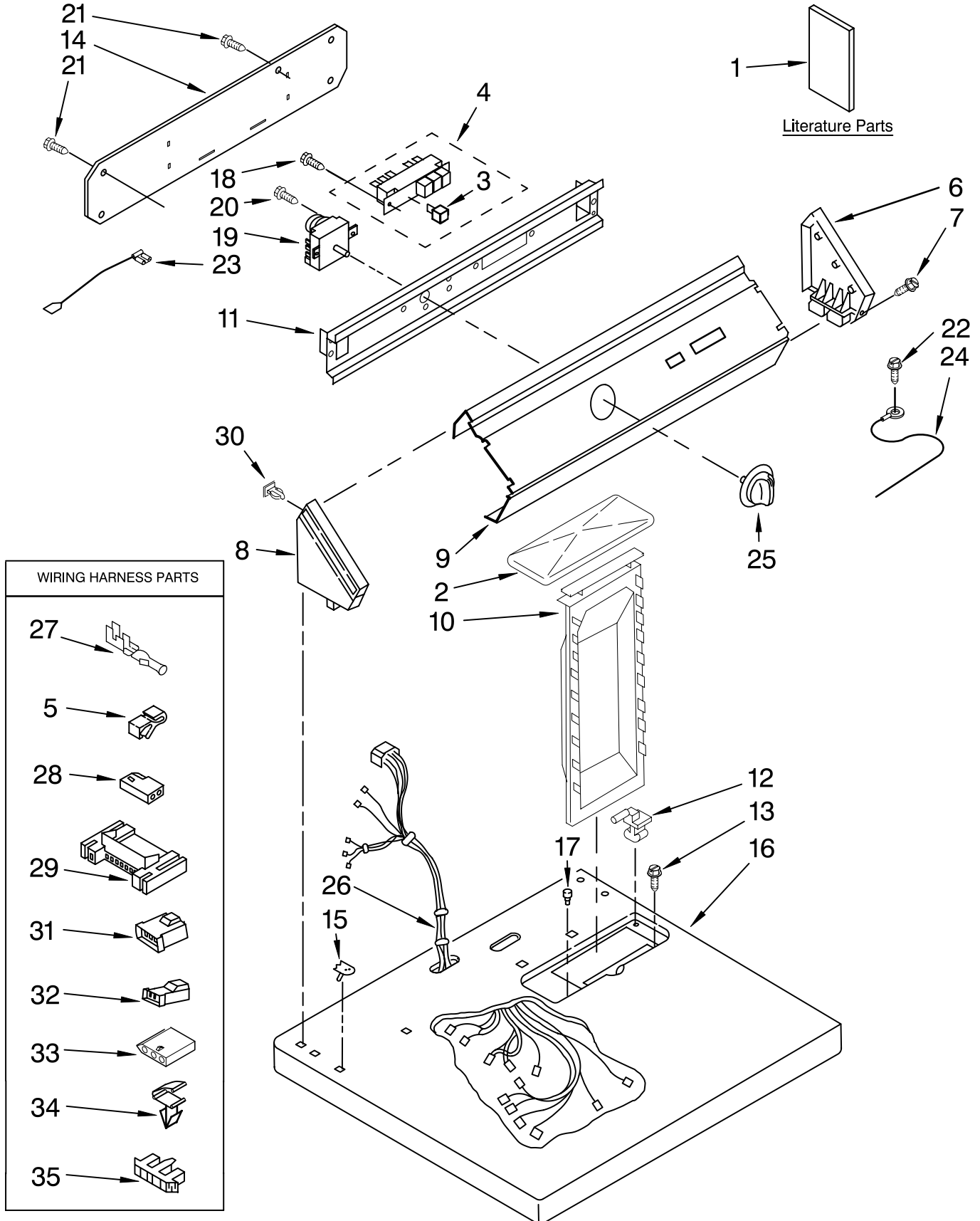


Whirlpool CORPORATION

Benton Harbor, Michigan.

TOP AND CONSOLE PARTS

For Model: GCGM2991TQ0
(White)



FOR ORDERING INFORMATION REFER TO PARTS PRICE LIST

TOP AND CONSOLE PARTS

For Model: GCGM2991TQ0
(White)

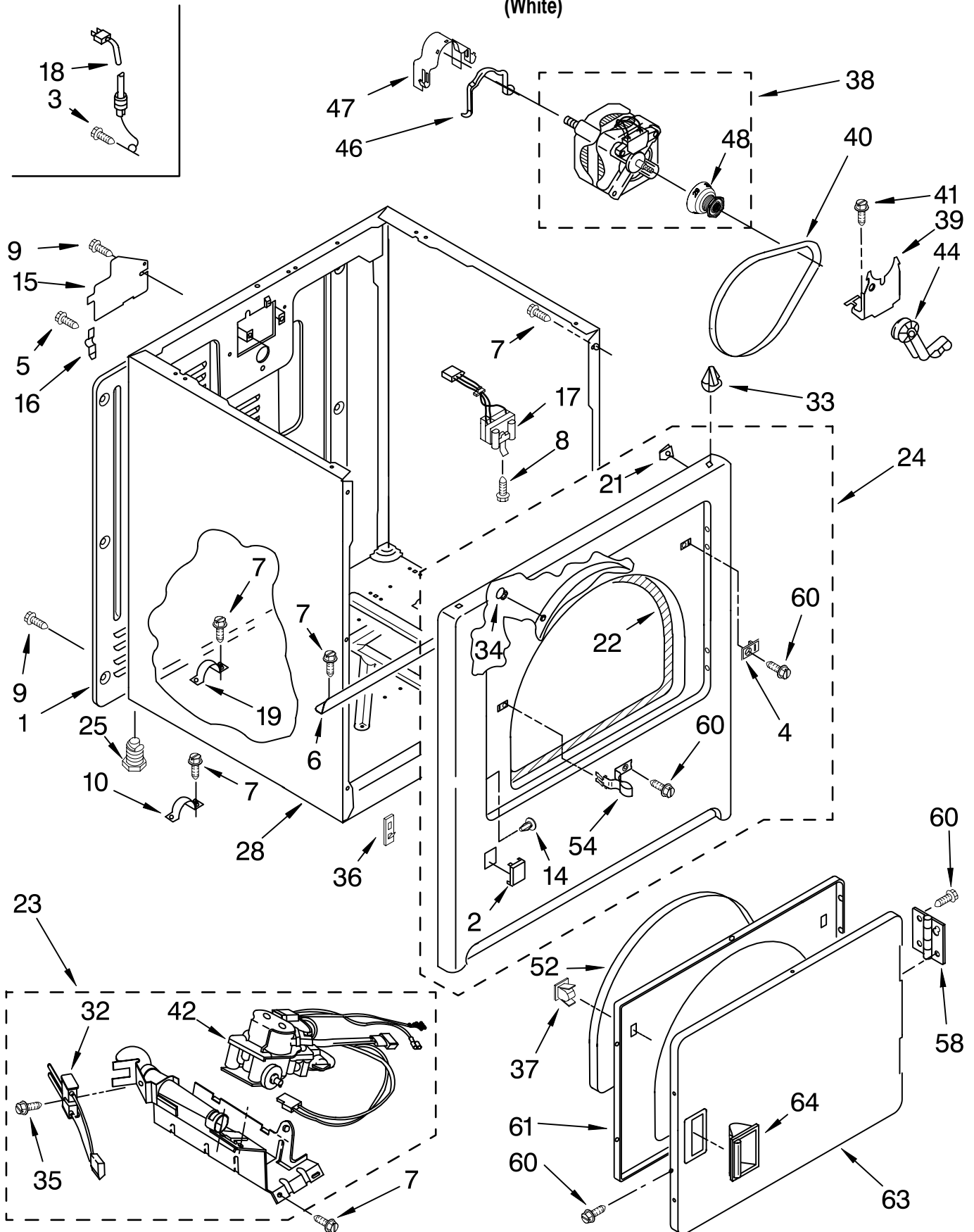
Illus. No.	Part No.	DESCRIPTION
1		Literature Parts
	8527907	Use & Care Guide
	8576818	Wiring Diagram
	8577213	Instructions, Installation
	W10119636	Repair Parts List
2	8283378	Cover, Lint Screen
3	8316433	Pushbutton
4	8316437	Switch, Pushbutton
5	357572	Clip, Ground
6	3949737	End Cap (R.H.)
7	97787	Screw, 11-16 x 3/4
8	3949734	End Cap (L.H.)
9	8527826	Control Panel
10	349639	Handle & Lint Screen Assembly
11	8527828	Bracket, Control
12	3978606	Hinge, L.H.
	3978605	Hinge, R.H.
13	688983	Screw, 8-18 x 5/8
14	8066156	Panel, Rear
15	357213	Nut, Push-In (2)
16	8316630	Top
17	297535	Bumper, Lint Lid
18	303921	Screw, 8-32 x 3/8
19	3979596	Timer
20	8533971	Screw, 8-18 x 5/16
21	693995	Screw, Hex Head
22	339554	Screw 10-16 x 5/16
23		Wire, Jumper
	3393811	Violet
	3393812	Blue
24	3398893	Wire, Ground
25	8529317	Knob, Timer
26	8299876	Harness, Wiring (Complete)
27	94614	Terminal
28	717252	Receptacle, 2-Way
29	3395683	Connector (Motor)
30	689559	Nut, Push In
31	3403498	Connector, 3-Position
32	3403499	Connector, 2-Position
33	3936144	Connector
34	3394427	Clip, Harness
35	3397269	Connector, Timer

FOR ORDERING INFORMATION REFER TO PARTS PRICE LIST

CABINET PARTS

For Model: GCGM2991TQ0

(White)



FOR ORDERING INFORMATION REFER TO PARTS PRICE LIST

CABINET PARTS

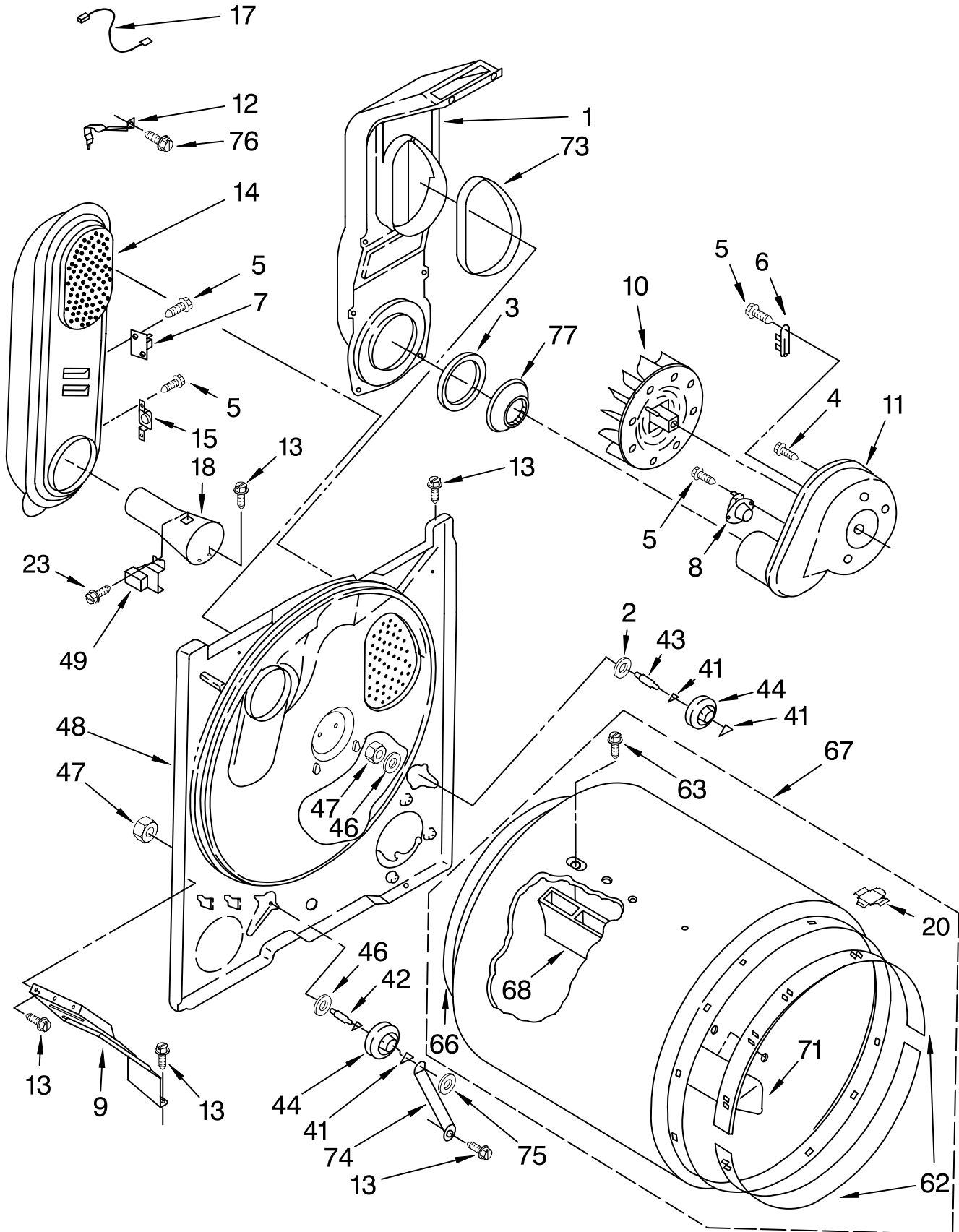
For Model: GCGM2991TQ0
(White)

Illus. No.	Part No.	DESCRIPTION	Illus. No.	Part No.	DESCRIPTION	Illus. No.	Part No.	DESCRIPTION
1	3396805	Panel, Rear	22	3406129	Seal & Bearing Assembly	37	3389441	Catch, Door Assembly
2	3394975	Plug, Front Panel	23	3401771	Burner Assembly (60 Hz.)	38	8066206	Motor Assembly, 60 Hz.
3	697776	Screw, Ground 10-32 x 5/8			(Refer to Pages 8 & 9 For Further Breakdown)	39	348780	Base, Motor
4	3403630	Plug, Strike	24	3403447	Front Panel Assembly	40	8066065	Belt, Drive
5	388326	Screw, 8-18 x 1-1/4	25	3392100	Foot, Plastic	41	3400500	Bolt, 5/16-18 x 3/4
6	8541400	Bracket, Cabinet		279810	Foot - Optional (Extended Length Package Of 2) (Not Included)	42	8281908	Valve, Gas (Complete) 60 Hz.
7	343641	Screw, 10-16 x 1/2	28	8530603	Cabinet (Includes Illus. 6)	44	691366	Idler & Pulley Assembly
8	697773	Screw, 6-20 x 7/8	32	686590	Ignitor	46	660658	Clip, Motor
9	693995	Screw, Hex Head 8-18 x 3/8	33	690363	Lock, Front Top	47	3404162	Clamp, Motor
10	3980175	Clamp-Elbow	34	685203	Clip, Felt Pad (2)	48	8066184	Pulley, 60 Hz.
14	3404413	Plug, Hinge Hole	35	3393909	Screw & Washer	52	3405246	Seal, Door
15	3396795	Cover, Block	36	3394083	Clip, Front Panel	54	3403431	Strike, Door
16	238088	Hinge, Top (2)				58	3405514	Hinge, Door
17	3406109	Door Switch Assembly				60	342055	Screw, 8-18 x 1/2
18	3401401	Cord, Power				61	3402341	Door, Rear
19	341029	Clamp, Pipe (Rear)				63	3402335	Door, Front
21	98234	Clip, Ground (2)				64	3405184	Handle, Door

FOR ORDERING INFORMATION REFER TO PARTS PRICE LIST

BULKHEAD PARTS

For Model: GCGM2991TQ0
(White)



FOR ORDERING INFORMATION REFER TO PARTS PRICE LIST

BULKHEAD PARTS

For Model: GCGM2991TQ0
(White)

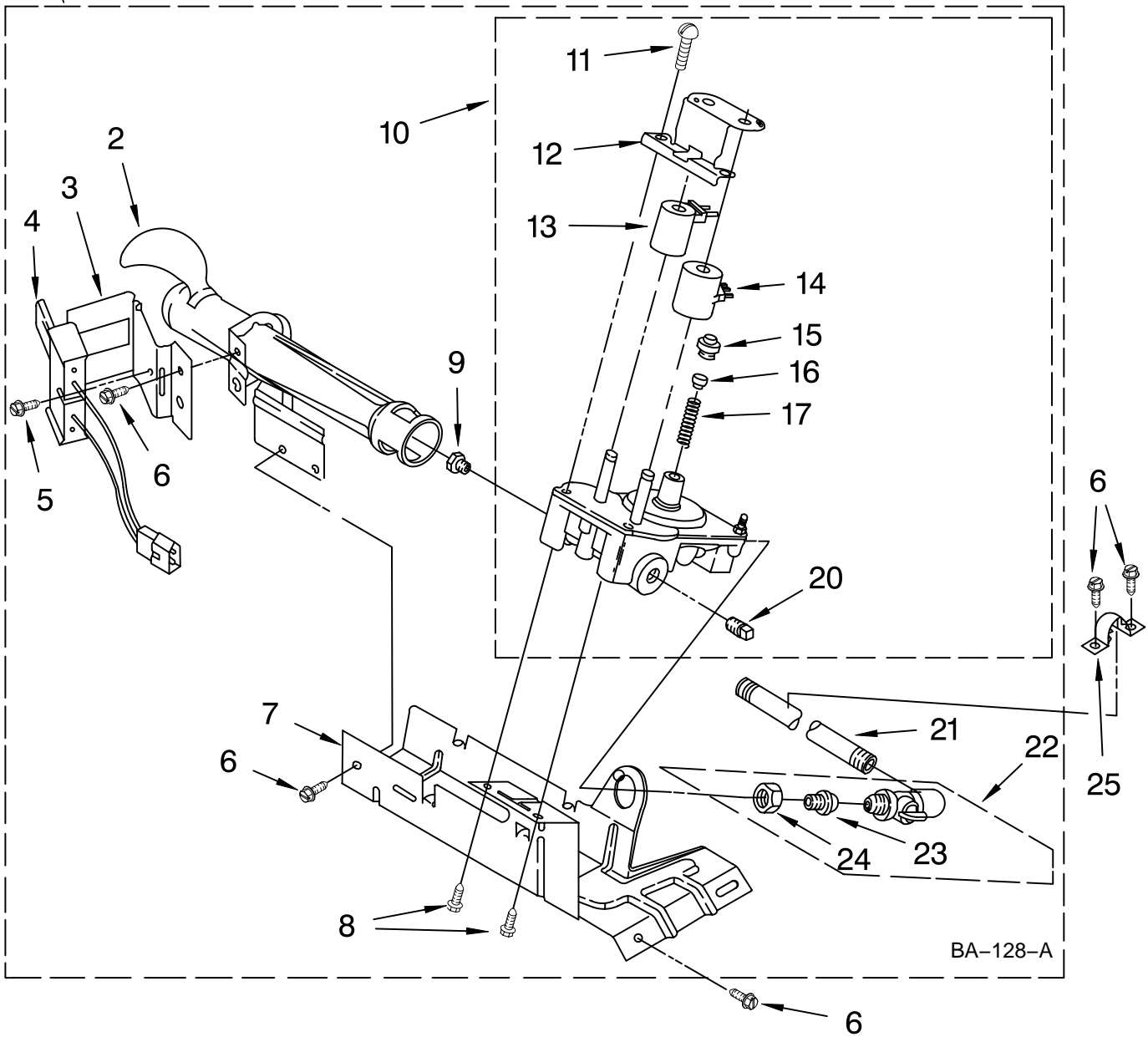
Illus. No.	Part No.	DESCRIPTION	Illus. No.	Part No.	DESCRIPTION	Illus. No.	Part No.	DESCRIPTION
1	348368	Lint Chute Assembly	12	3398161	Clip	46	348197	Washer, Support
2	3388703	Washer-Support	13	343641	Screw, 10-16 x 1/2	47	3359452	Nut, 3/8-16
3	347139	Seal, Lint Chute	14	8530285	Box, Heater	48	3403410	Bulkhead
4	3390647	Screw, 8-18 x 1/2	15	3403140	Thermostat, High Limit	49	338906	Sensor, Radiant
5	90767	Screw, 8-18 x 3/8			205°F (96°C)	62	692526	Ring, Bearing
6	3392519	Fuse, Thermal	17	3401707	Wire, Jumper	63	W10109200	Screw, 11-16 x 3/4
7	280010	Kit, Thermal Cut-Off (Includes Illus. 15)	18	8066049	Funnel, Burner	66	3406130	Seal, Rear
8	3387134	Thermostat, Internal Bias	20	8066086	Drum Hole Plug	67	695587	Drum Assembly
9	3406022	Bracket, Bulkhead	23	339554	Screw, Sensor To Funnel	68	692490	Baffle, Drum (Wide)
10	694089	Wheel, Blower (Includes Illus. 19)	41	690997	Ring, Tri	71	3403636	Baffle, Drum (Narrow)
11	8577230	Housing, Blower	42	3399506	Shaft, L.H.	73	339956	Seal
			43	3399507	Shaft, R.H.	74	3976434	Bracket, Support Shaft
			44	3397590	Roller, Support	75	90296	Clip
						76	489463	Screw, 8-18 x 5/8
						77	696302	Shield, Exhaust

FOR ORDERING INFORMATION REFER TO PARTS PRICE LIST

3401771 BURNER ASSEMBLY

For Model: GCGM2991TQ0
(White)

1 USE WITH TYPE 1 – NATURAL, TYPE 2 – MIXED, TYPE 3 – MANUFACTURED
AND TYPE 4 – LIQUEFIED PROPANE AND BUTANE GASES



FOR ORDERING INFORMATION REFER TO PARTS PRICE LIST

3401771 BURNER ASSEMBLY

For Model: GCGM2991TQ0
(White)

USE WITH TYPE 1 – NATURAL, TYPE 2 – MIXED, TYPE 3 – MANUFACTURED
AND TYPE 4 – LIQUEFIED PROPANE AND BUTANE GASES

Illus. No.	Part No.	DESCRIPTION
1	3401771	Burner Assembly 60 Hz. (Type 1, 2 & 3) (White Rodgers)
2	688617	Tube, Burner
3	694298	Bracket, Ignitor
4	686590	Ignitor
5	3393909	Screw & Washer (8–32 x 5/8)
6	343641	Screw, 10–16 x 1/2
7	693986	Base, Burner
8	3387057	Screw, 8–18 x 3/8 (2)
9		Orifice, Burner
	234826	Type 1
	15775	Type 2
	15419	Type 3
	229742	Type 4 (Butane)
	234868	Type 4 (Propane)
10	3401775	Valve, 60 Hz.
11	694421	Screw, 8–32 x 1/2 (2)
12	694538	Bracket, Coil
13	694540	Coil, 60 Hz. (2 Terminal) (Main)
14	694539	Coil, 60 Hz. (Split) (3 Terminal) (Pilot Position)
15	694424	Leak Limiter
16	694423	Screw, Regulator Adjustment
17	694422	Spring, Regulator
20	239822	Plug, Pipe
21	233273	Pipe, Gas Supply
22	3393658	Valve & Union, Shut–Off
23	3393767	Pipe, Tail
24	233076	Nut, Compression
25	341029	Clamp, Pipe

Following Parts Not Illustrated

694572 Conversion Kit
(Type 1, 2 & 3)
to Type (4) L.P.G.

BA-128-A

FOR ORDERING INFORMATION REFER TO PARTS PRICE LIST

OPTIONAL PARTS (NOT INCLUDED)

For Model: GCGM2991TQ0
(White)

Illus. No.	Part No.	DESCRIPTION
-------------------	-----------------	--------------------

ACCESSORY PARTS

	279948	Kit, Dryer Repair
	8522199	Kit, Dryer Vent Testing

PAINT, TOUCH-UP (1/2oz.)

	72017	White
--	-------	-------

PAINT, PRESSURIZED SPRAY (12 oz.)

	350930	White
	350938	Primer, Gray

PAINT, TOUCH-UP (1 qt.)

	799344	White (Uncut)
--	--------	---------------

FOR ORDERING INFORMATION REFER TO PARTS PRICE LIST