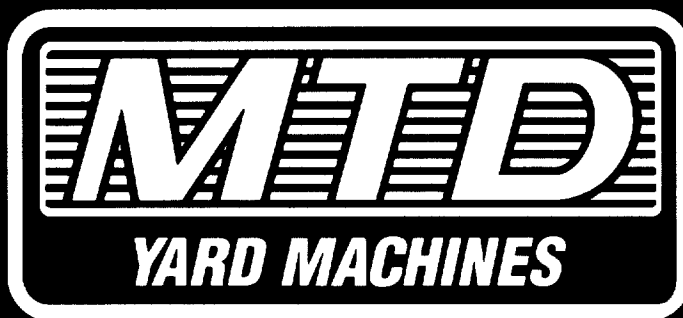


ILLUSTRATED PARTS

AMERICAN  AMERICAN
M A D E O W N E D
OUTDOOR POWER EQUIPMENT

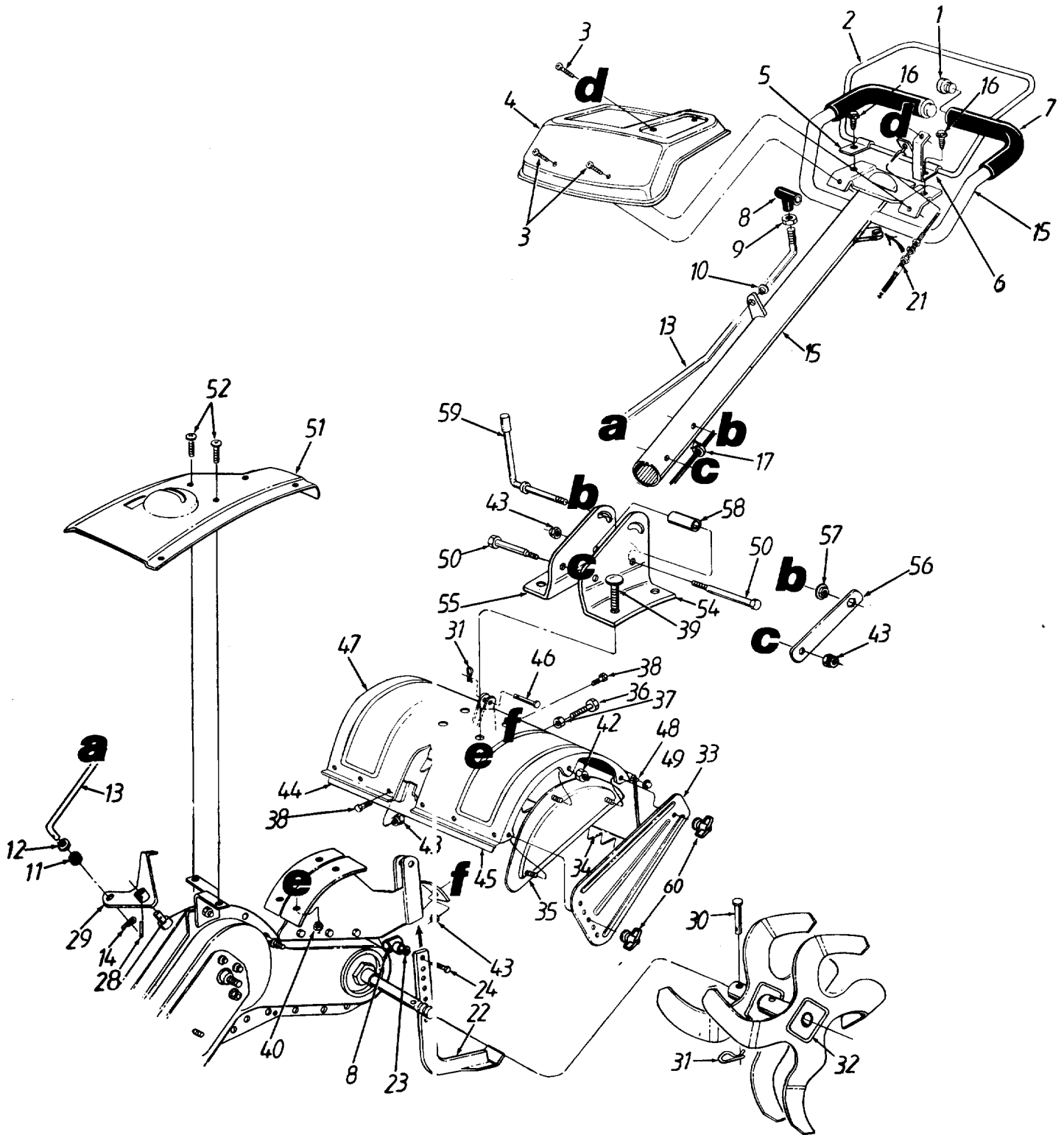


1996

REAR TINE TILLERS

Model Number	Pages
216-410-000.....	2 - 5
216-420-000.....	4 - 7
216-430-000.....	8 - 12
216-447-401.....	12 - 16

Model 410

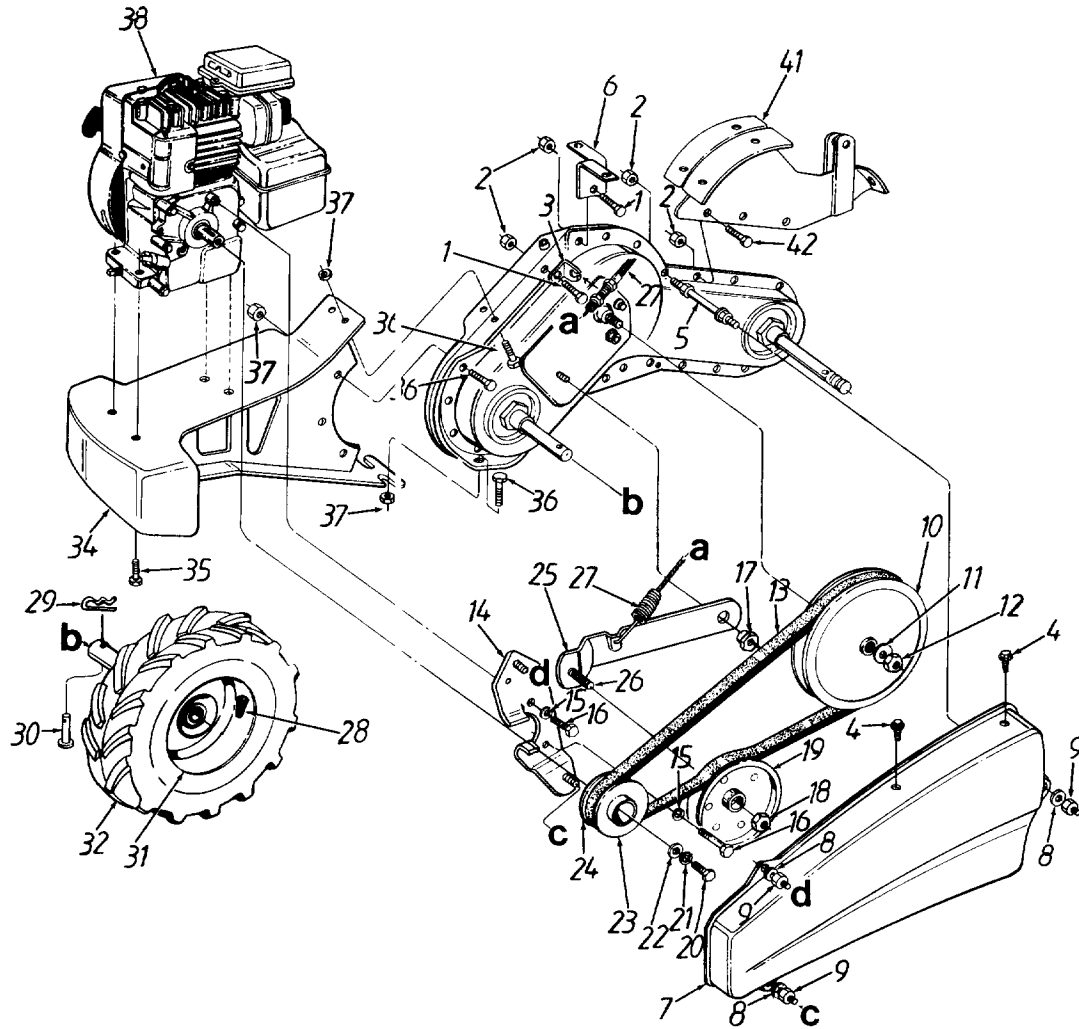


Model 410

PARTS LIST FOR MODEL 410 REAR TINE TILLER

REF. NO.	PART NO.	CODE	DESCRIPTION	REF. NO.	PART NO.	CODE	DESCRIPTION
1	735-0246		Vinyl End Plug	33	786-0090		Side Shield
2	647-0014		Clutch Control Ass'y.	34	786-0113		Rear Tine Shield
3	710-1017		Torx Mach. AB-Tap Scr. 1/4 x .62" Lg.	35	686-0044A	N	End Cover Ass'y.
4	786-0131		Handle Cover	36	710-0528		Hex Cap Bolt 5/16-18 x 1.25" Lg.
5	786-0098		Retaining Brkt.—R.H.	37	712-0267		Hex Nut 5/16-18 Thd.
6	786-0118		Retaining Brkt.—L.H.	38	710-0118		Hex Bolt 5/16-18 x .75" Lg.
7	720-0278		Grip (2 Req'd.)	39	710-3097		Carriage Bolt 3/8-16 x 1" Lg.
8	720-0210A		Knob	40	712-0130		Hex Ins. L-Nut 3/8-16 Thd.
9	712-3008		Hex Jam Nut 3/8-16 Thd.	41	736-0242		Bell-Wash. .345" I.D. x .88" O.D.
10	735-0228		Bushing 3/8" I.D.	42	712-0419		Hex Cap L-Nut 5/16-18 Thd.
11	735-0127		Rubber Washer	43	712-3004A		Hex Flange Top L-Nut 5/16-18 Thd.
12	736-0204		Fl-Wash. .344" I.D. x .6" O.D.	44	786-0076		Tine Shield Brkt.—R.H.
13	747-0902		Gear Shift Rod	45	786-0077		Tine Shield Brkt.—L.H.
14	714-0104		Hairpin Clip	46	711-0415		Clevis Pin .375" Dia.
15	649-0006		Handle Ass'y.	47	786-0085		Tine Shield
16	710-0599		Hex Wash. Hd. TT-Tap Scr. 1/4-20 x .5" Lg.	48	747-0432		Tiller Flap Rod
17	726-0330		Cable Clip	49	726-0106		Cap Speed Nut
21	746-0916		Clutch Cable	50	710-0189		Hex Bolt 5/16-18 x 3" Lg.
22	786-0120		Depth Bar	51	786-0101A	N	Shift Cover
23	736-0117		Fl-Wash. 3/8" I.D. x 5/8" O.D.	52	710-1017		Torx Mach. AB-Tap Scr. 1/4 x .6"
24	710-0253		Hex Bolt 3/8-16 x 1" Lg.*	54	786-0109		Handle Brkt.—L.H.
28	715-0120		Spiral Pin 3/16" x 1"	55	786-0108		Handle Brkt.—R.H.
29	686-0095		Shift Crank Ass'y.	56	784-0191		Hex Nut Retainer Brkt.
30	711-0415		Clevis Pin	57	712-0379		Hex Flange Nut 3/8-24 Thd.
31	714-0149B		Hairpin Clip	58	750-0885		Spacer .322 Dia.
32	642-0015		Tine Ass'y.—L.H.	59	784-0190		Handle Adjustment Crank
	642-0016		Tine Ass'y.—R.H. (Not Shown)	60	712-0421		Knob 5/16-18 Thd.

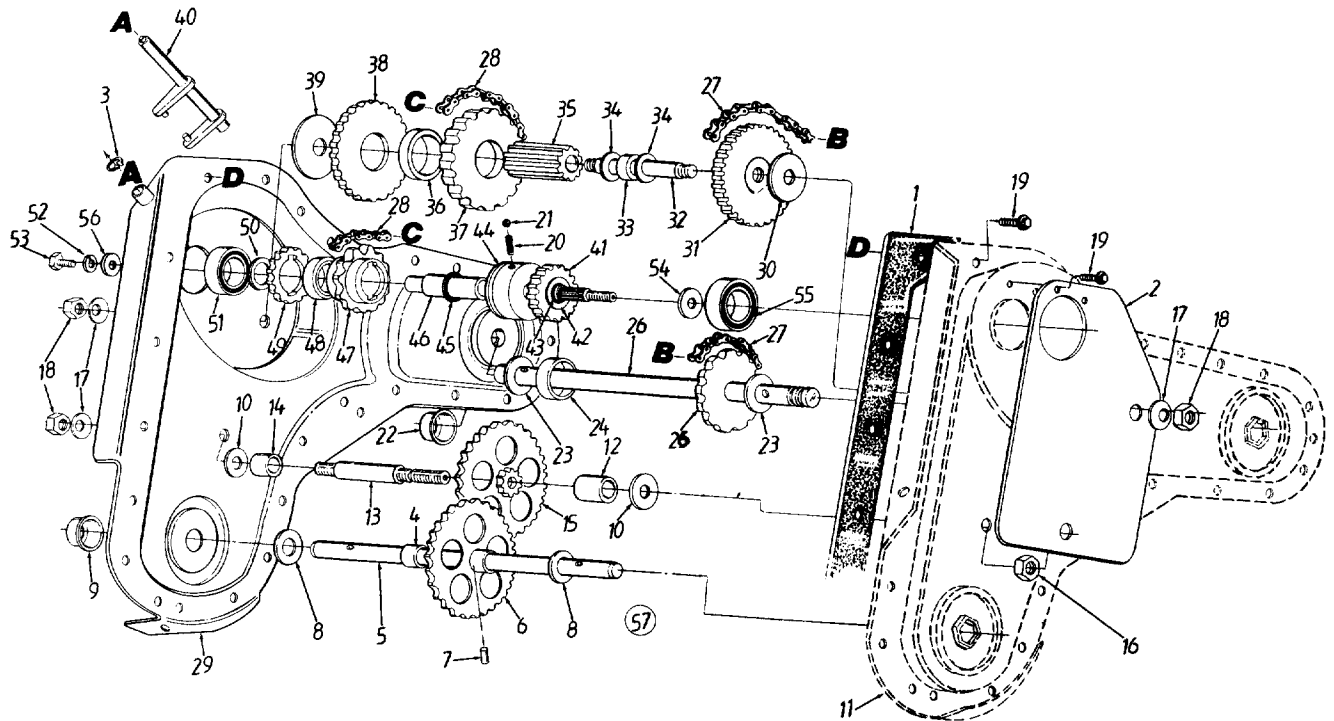
Models 410 and 420



PARTS LIST FOR MODELS 410 AND 420 REAR TINE TILLERS

REF. NO.	PART NO.	CODE	DESCRIPTION	REF. NO.	PART NO.	CODE	DESCRIPTION
1	710-0118		Hex Bolt 5/16-18 x .75" Lg.	23	756-0972		Outer Engine Pulley Half
2	712-3004A		Hex Top L-Nut 5/16-18 Thd.	24	756-0971		Inner Engine Pulley Half
3	786-0107		Cable Mtg. Bracket	25	786-0080		Idler Bracket
4	710-1017		Torx Mach. AB-Tap Scr. 1/4 x .6" Lg.	26	710-0723		Hex Bolt 3/8-16 x 1.25" Lg.
5	738-0899		Belt Cover Bolt	27	746-0916		Clutch Cable
6	786-0117		Shift Cover Bracket	28	734-0255		Air Valve
7	786-0100		Belt Cover	29	714-0104		Hairpin Clip
8	736-0142		FI-Wash. .281" I.D. x .5" O.D.	30	711-1017		Clevis Pin
9	712-0392		Hex Cap Nut 1/4-28 Thd.	31	634-0112		Rim Only (410)
10	756-0634		Flat Pulley 8" O.D.	32	634-0108		Rim Only (420)
11	736-0105		Bell-Wash. .38" I.D. x .118" O.D.	32	634-0110		Wheel Ass'y. Comp.—R.H. (410)
12	712-0130		Hex Ins. L-Nut 3/8-16 Thd.	32	634-0111		Wheel Ass'y. Comp.—L.H. (410)
13	754-0438		"V"-Belt	32	634-0106		Wheel Ass'y. Comp.—R.H. (420)
14	686-0031		Belt Keeper Brkt.	32	634-0107		Wheel Ass'y. Comp.—L.H. (420)
15	736-0119		L-Wash. 5/16" I.D.	34	734-1796		Tire Only (410)
16	710-0237		Hex Bolt 5/16-24 x .62" Lg.	34	734-0808		Tire Only (420)
17	738-0876		Shld. Nut	34	619-0009		Frame Counterweight
18	712-0266		Hex Jam L-Nut 3/8-16 Thd.	35	710-1007		Hex TT-Tap Scr. 3/8-16 Thd.
19	756-0405		FI-Idler w/Flanges	36	710-3002		Hex Bolt 5/16-18 x 1" Lg. (Gr. 5)
20	710-0152		Hex Bolt 3/8-24 x 1" Lg.	37	712-3004A		Hex Flange L-Nut 5/16-18 Thd.
21	736-0217		L-Wash. 3/8" I.D.	38	—		Engine
22	736-0258		FI-Wash. 3/8" I.D. x 1" O.D.	41	686-0043		Tine Shield Brkt. Ass'y.
				42	710-3038		Hex Bolt 5/16-18 x 7/8" Lg.

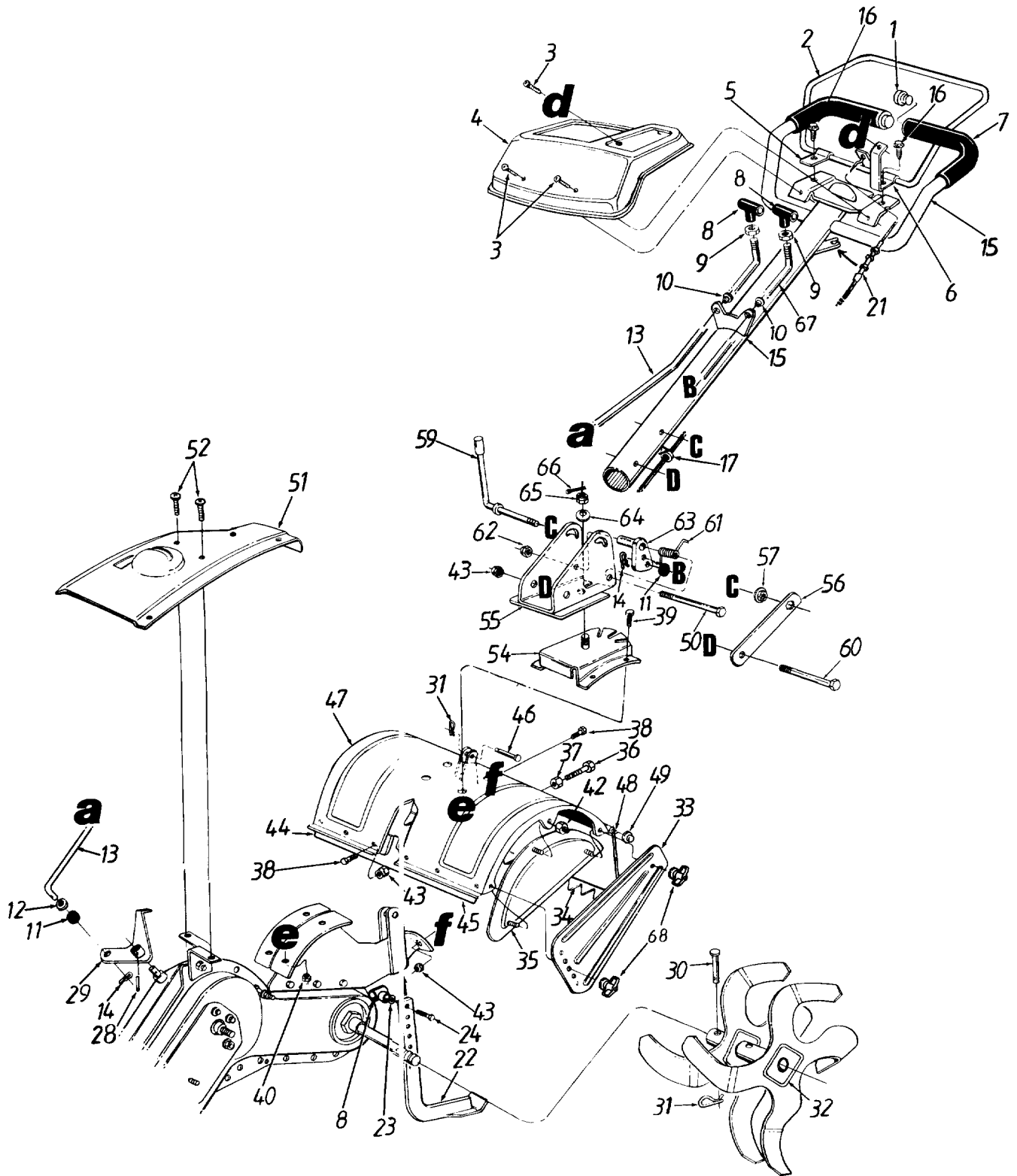
Models 410 and 420



PARTS LIST FOR MODELS 410 AND 420 REAR TINE TILLERS

REF. NO.	PART NO.	CODE	DESCRIPTION	REF. NO.	PART NO.	CODE	DESCRIPTION
1	721-0295		Chain Case Gasket	29	686-0038		Gear Case Ass'y. Half—R.H.
2	786-0086		Reinforcement Plate	30	736-0406		FI-Wash. 7/16" I.D. x 1-3/8" O.D.
3	716-0865		Snap Ring	31	617-0002		Gear and Sprocket Ass'y.
4	750-0938		Spacer .735" I.D. x .886" O.D.	32	738-0884		Jack Shaft 5" Lg.
5	711-1015		Wheel Shaft	33	750-0931		Spacer .636" I.D. x .86" O.D.
6	717-1406		Spur Gear 46T	34	736-0302		FI-Wash. .63" I.D. x .94" O.D.
7	715-0215		Pin Type "E" Grooved	35	717-1411		Spur Gear 10T
8	736-0351		FI-Wash. .76" I.D. x 1.5" O.D.	36	750-0930		Spacer 1.5" I.D. x 1.76" O.D.
9	784-0166		Dust Cover Ass'y. .75" Shaft	37	713-0436		Sprocket—#41 Chain
10	736-0406		FI-Wash. 7/16" I.D. x 1-3/8" O.D.	38	717-1405		Reverse Gear 46T
11	686-0039		Gear Case Ass'y. Half—L.H.	39	736-0518		Thrust Wash. .445" I.D. x 1.92" O.D.
12	750-0935		Spacer .635" I.D. x 1" O.D. x .78 Thk.	40	618-0245	N	Shifter Ass'y.
13	738-0885		Jack Shaft 2.06" Lg.	41	717-1409		Spur Gear 17T
14	750-0936		Spacer .635" I.D. x 1" O.D. x .37" Thk.	42	736-0442		FI-Wash. .69" I.D. x 1.06" O.D.
15	617-0004		Gear Idler Ass'y.	43	716-0234		Retaining Ring .669" Shaft
16	712-3067		Hex Patch L-Nut 7/16-20 Thd.	44	718-0234		Clutch Collar
17	736-0407		Bell-Wash. .45" I.D. x 1" O.D.	45	716-0235		Retaining Ring .875" Shaft
18	712-0378		Hex Nut 7/16-20 Thd.	46	711-0952		Drive Shaft
19	710-0599		Hex Wash. Hd. TT-Tap Scr. 1/4-20 x .5" Lg.	47	713-0435		Sprocket 11T
20	732-0863		Spring Detent	48	750-0928		Neutral Spacer
21	741-0862		Ball Detent	49	717-1408		Spur Gear 16T
22	784-0167		Dust Cover Ass'y. 1" Shaft	50	736-0336		FI-Wash. 5/8" I.D. x 1" O.D.
23	736-0163		Thrust Wash. 1.03" I.D. x 1.62" O.D.	51	741-0124		Ball Bearing .669" I.D.
24	750-0570		Spacer 1" I.D. x 2" O.D. x .5" Thk.	52	736-0329		L-Wash. 1/4" I.D.
26	611-0021		Tine Shaft Ass'y.	53	710-0258		Hex Bolt 1/4-20 x .62" Lg.
27	713-0226		Chain #50 5/8" Pitch x 52 Links—Endless	54	736-0511		FI-Wash. .635" I.D. x 1" O.D.
28	713-0223		Chain—#41 1/2" Pitch x 30 Links—Endless	55	741-0563		Ball Bearing
				56	736-0512		FI-Wash. .281" I.D. x .875" O.D.
				57	686-0040		Gear Case Ass'y. Comp.
				58	718-0227		Key—Drive Shaft (Not Shown)

Model 420

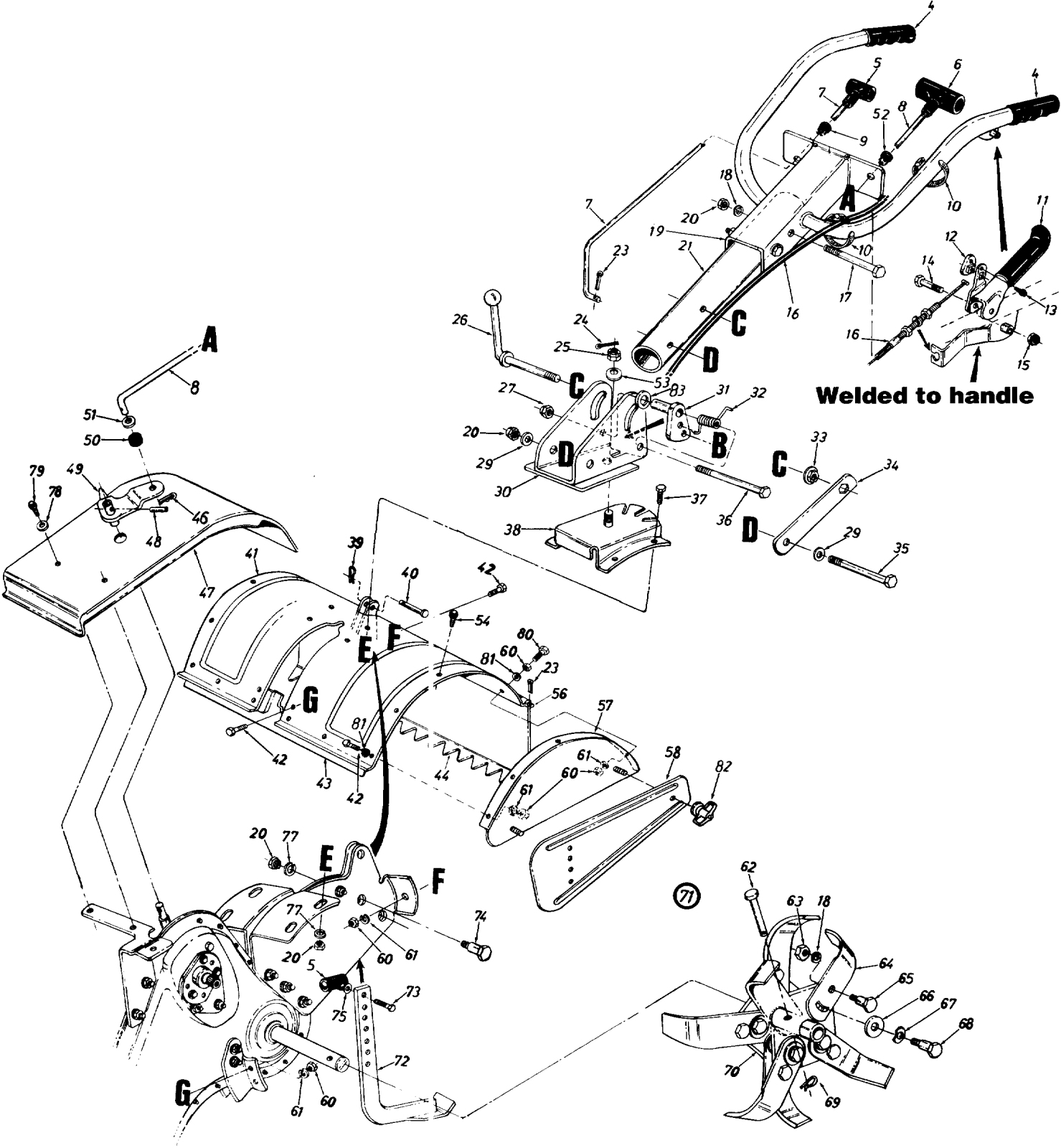


Model 420

PARTS LIST FOR MODEL 420 REAR TINE TILLER

REF. NO.	PART NO.	CODE	DESCRIPTION	REF. NO.	PART NO.	CODE	DESCRIPTION
1	735-0246		Vinyl End Plug	36	710-0528		Hex Cap Bolt 5/16-18 x 1.25" Lg.
2	647-0014		Clutch Control Ass'y.	37	712-0267		Hex Nut 5/16-18 Thd.
3	710-1017		Torx Mach. AB-Tap Scr. 1/4 x .62" Lg.	38	710-0118		Hex Bolt 5/16-18 x .75" Lg.
4	786-0131		Handle Cover	39	710-3097		Carriage Bolt 3/8-16 x 1" Lg.
5	786-0098		Retaining Brkt.—R.H.	40	712-0130		Hex Ins. L-Nut 3/8-16 Thd.
6	786-0118		Retaining Brkt.—L.H.	41	736-0242		Bell-Wash. .345" I.D. x .88" O.D.
7	720-0278		Grip (2 Req'd.)	42	712-0419		Hex Cap L-Nut 5/16-18 Thd.
8	720-0210A		Knob	43	712-3004A		Hex Flange Top L-Nut 5/16-18 Thd.
9	712-3008		Hex Jam Nut 3/8-16 Thd.	44	786-0076		Tine Shield Brkt.—R.H.
10	735-0228		Bushing 3/8" I.D.	45	786-0077		Tine Shield Brkt.—L.H.
11	735-0127		Rubber Washer	46	711-0415		Clevis Pin .375" Dia.
12	736-0204		Fl-Wash. .344" I.D. x .6" O.D.	47	786-0085		Tine Shield
13	747-0902		Gear Shift Rod	48	747-0432		Tiller Flap Rod
14	714-0104		Hairpin Clip	49	726-0106		Cap Speed Nut
15	649-0004		Handle Ass'y.	50	710-0521		Hex Bolt 3/8-16 x 3" Lg.
16	710-0599		Hex Wash. Hd. TT-Tap Scr. 1/4-20 x .5" Lg.	51	786-0101A	N	Shift Cover
17	726-0330		Cable Clip	52	710-1017		Torx Mach. AB-Tap Scr. 1/4 x .6"
21	746-0916		Clutch Cable	54	784-0181A		Handle Positioner Brkt. Ass'y.
22	786-0120		Depth Bar	55	686-0048		Handle Pivot Brkt. Ass'y.
23	736-0117		Fl-Wash. 3/8" I.D. x 5/8" O.D.	56	784-0191		Hex Nut Retainer Brkt.
24	710-0253		Hex Bolt 3/8-16 x 1" Lg.*	57	712-0379		Hex Flange Nut 3/8-24 Thd.
28	715-0120		Spiral Pin 3/16" x 1"	59	784-0190		Handle Adjustment Crank
29	686-0095	N	Shift Crank Ass'y.	60	710-0189		Hex Bolt 5/16-18 x 3" Lg.
30	711-0415		Clevis Pin	61	732-0493		Torsion Spring
31	714-0149B		Hairpin Clip	62	712-0375		Hex L-Nut 3/8-16 Thd.
32	642-0015		Tine Ass'y.—L.H.	63	748-0375		Handle Swing Link
	642-0016		Tine Ass'y.—R.H. (Not Shown)	64	736-0317		Bell-Wash. 5/8" I.D.
33	786-0090		Side Shield	65	712-0386A		Hex Slotted Nut 5/8-18 Thd.
34	786-0113		Rear Tine Shield	66	714-3021		Cotter Pin 1/8" x 1-5/8"
35	686-0044A	N	End Cover Ass'y.	67	747-0901		Handle Adjustment Rod
				68	712-0421		Knob 5/16-18 Thd.

Model 430



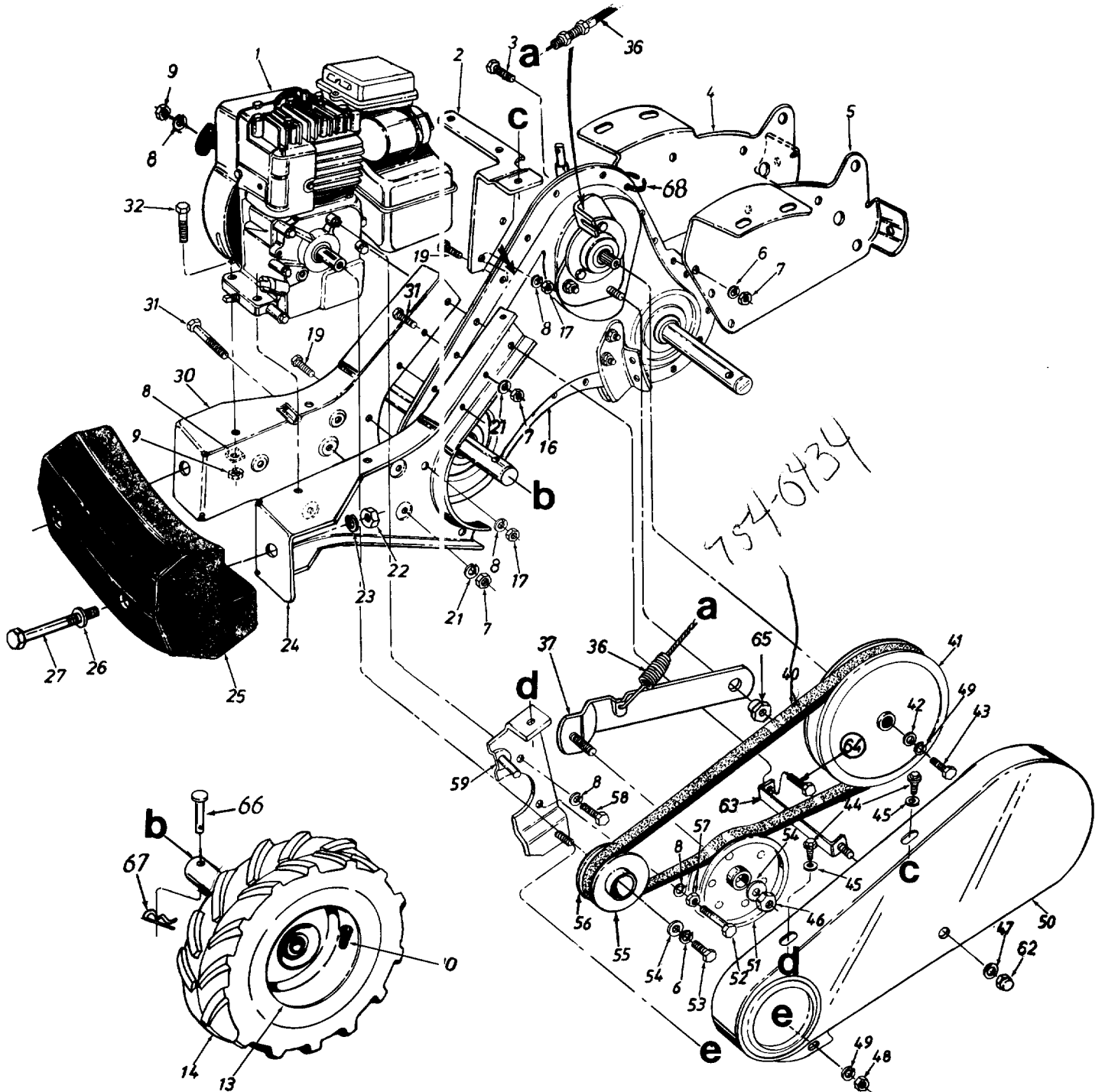
Model 430

PARTS LIST FOR MODEL 430 REAR TINE TILLER

REF. NO.	PART NO.	CODE	DESCRIPTION	REF. NO.	PART NO.	CODE	DESCRIPTION
4	720-0180		Handle Grip	42	710-0118		Hex Bolt 5/16-18 x .75" Lg.*
5	720-0210A		Small "T" Knob	43	784-0210		Bracket Reinforcement—18"
6	720-0209		Large "T" Knob	44	786-0113	N	Tine Shield Hinge Flap
7	747-0666		Clutch Rod	46	714-0104		Intern. Cotter Pin 5/16" Dia.
8	747-0664		Control Rod 37" Lg.	47	784-0208A		Shift Cover
9	735-0228		Snap On Bushing 3/8" Dia.	48	715-0120		Spring Roll Pin 3/16" Dia.
10	725-0157		Cable Tie-Self Clinching	49	784-0173		Shifting Crank Ass'y.
11	784-0202B		Clutch Grip Ass'y.—L.H.	50	735-0127		Rubber Washer .33" I.D.
12	746-0605		Barrel Cable Hold Down	51	736-0133		Fl-Wash. .4" I.D. x 1.25" O.D.
13	710-0919		Hex B-Tap Scr. #10 x .44" Lg.	52	735-0227		Snap On Bushing 1/2" Dia.
14	710-0331		Hex Bolt 3/8-24 x 2.25" Lg.*	53	736-0317		Bell-Wash. .63" I.D. x 1.25"
15	712-0262		Hex Jam L-Nut 3/8-24 Thd.	54	710-0607		Hex Wash. Tap Scr.
16	746-0908		Clutch Control Cable 46" Lg.	56	747-0432		Tiller Flap Rod
17	710-0194		Hex Bolt 3/8-16 x 3.00" Lg.*	57	784-0179A	N	End Cover Ass'y.
18	736-0217		L-Wash. 3/8" I.D.—H.D.	58	15390		Side Shield
19	686-0075		Handle Ass'y.	59	736-0242		Bell-Wash. .345" I.D. x .88"
20	712-0798		Hex Nut 3/8-16 Thd.*	60	712-0267		Hex Nut 5/16-18 Thd.*
21	784-0189		Handle Tubing Ass'y.	61	736-0119		L-Wash. 5/16" I.D.*
23	714-0507		Cotter Pin 3/32" Dia. x .75" Lg.*	62	711-0415		Clevis Pin .375" Dia.
24	714-3021		Cotter Pin 3/32" Dia. x 1.25" Lg.*	63	712-0241		Hex Nut 3/8-24 Thd.*
25	712-0386A		Hex Slotted Nut 5/8-18 Thd.	64	742-0305		13" Dia. Articulating Tine
26	784-0190		Handle Adj. Crank	65	738-0689		Shld. Bolt 1/2" Dia. x .175
27	712-0375		Hex Cent. L-Nut 3/8-16 Thd.	66	736-0208		Fl-Wash. .51" I.D. x 1.50"
29	736-0105		Bell-Wash. .4" I.D. x .87" O.D.	67	736-0255		Bell-Wash. .515" I.D. x 1.14"
30	784-0263		Handle Pivot Bracket	68	738-0688		Shld. Bolt 1/2" Dia. x .320
31	784-0375		Handle Link	69	714-0149B		Intern. Cotter Pin
32	732-0493		Spring Handle Adj. (Torsion)	70	784-0160		Tine Adapter Ass'y. 18"
33	712-0379		Hex Flange Nut 3/8-24 Thd.	71	784-0205		Tine Ass'y. Comp. 18"
34	784-0191		Bracket Hex Nut Retainer	72	14992		Depth Bar Ass'y.
35	710-0644		Hex Bolt 3/8-16 x 3.25" Lg.*	73	710-0253		Hex Bolt 3/8-16 x 1" Lg.*
36	710-0521		Hex Bolt 3/8-16 x 3.00" Lg.—Gr. 8	74	738-0148		Shld. Bolt 1/2" I.D. x .62" Lg.
37	710-0253		Hex Bolt 3/8-16 x 1" Lg.*	75	736-0117		Fl-Wash. 3/8" I.D. x 5/8" O.D.
38	784-0181A		Handle Positioner Brkt. Ass'y.	77	736-0169		L-Wash. 3/8" I.D.*
39	714-0149B		Intern. Cotter Pin	78	736-0463		Fl-Wash. .281" I.D. x .62"
40	711-0415		Clevis Pin .375" Dia.	79	710-0599		Hex Wash. Self-Tap Scr. 1/4-20 x .50" Lg.
41	784-0156		Tine Shield 18"	80	710-0528		Hex Bolt 5/16-18 x 11/4" Lg.*
				81	712-0419		Cap L-Nut 5/16-18 Thd.
				82	712-0421		Plastic Knob 5/16-18 Thd.
				83	736-3004		Fl-Wash. .406" I.D. x .875" O.D.

*For faster service obtain standard nuts, bolts and washers locally. If these items cannot be obtained locally, order by part number and size as shown on parts list.

Model 430



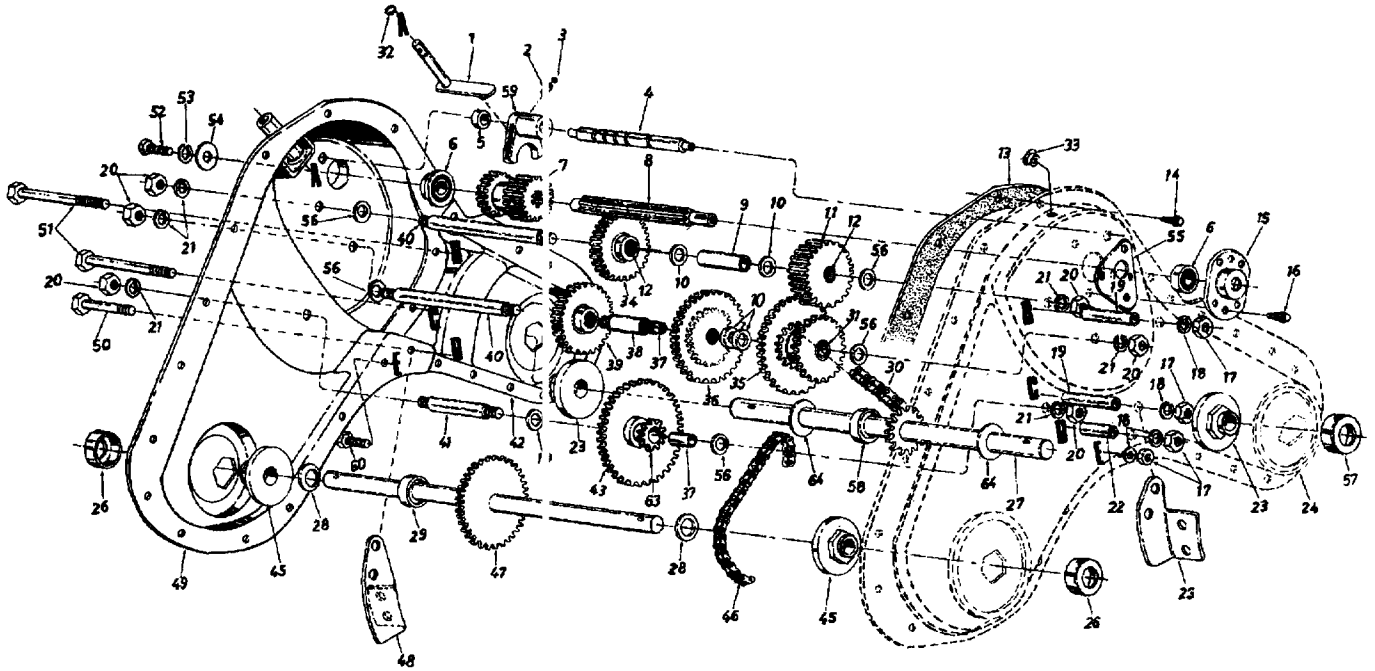
Model 430

PARTS LIST FOR MODEL 430 REAR TINE TILLER

REF. NO.	PART NO.	CODE	DESCRIPTION	REF. NO.	PART NO.	CODE	DESCRIPTION
1	—		Engine	40	754-0207		"V"-Belt
2	784-0199A		Belt Cover Mounting Brkt.	41	756-0634		FI-Pulley 8" O.D.
3	710-0253		Hex Bolt 3/8-16 x 1.00" Lg.*	42	736-0176		FI-Wash. 1/4" I.D. x .93" O.D.
4	784-0178		Tine Shield Mtg. Brkt.—R.H.	43	710-0412		Hex Bolt 1/4-28 x .75" Lg.
5	784-0177		Tine Shield Mtg. Brkt.—L.H.	44	710-0599		Hex Wash. Hd. S-Tap Scr. 1/4-20 x .50" Lg.
6	736-0169		L-Wash. 3/8" I.D.*				FI-Wash. .281" I.D. x .625"
7	712-0798		Hex Nut 3/8-16 Thd.*	45	736-0463		Hex Cent. L-Nut 3/8-24 Thd.
8	736-0119		L-Wash. 5/16" I.D.*	46	712-0262		FI-Wash. .266" I.D. x .625" O.D.
9	712-0267		Hex Nut 5/16-18" Thd.*	47	736-3020		Hex Nut 1/4-20 Thd.*
10	734-0255		Air Valve	48	712-0287		L-Wash. 1/4" I.D.*
13	634-0112		Wheel Rim Ass'y. Only	49	736-0329		Belt Cover
14	634-0111		L.H. Wheel Ass'y. Comp.	50	784-0158		FI-Idler w/Flanges 3.75" O.D.
	634-0110		R.H. Wheel Ass'y. Comp.	51	756-0405		Hex Bolt 5/16-24 x 1.75"*
	734-1796		Tire Only	52	710-0409		Hex Bolt 3/8-24 x 1.00" Lg.*
16	686-0058		Gear Case Ass'y. Comp.	53	710-0152		FI-Wash. 3/8" I.D. x 1.00"
17	712-0267		Hex Nut 5/16-18 Thd.*	54	736-0258		Outer Engine Pulley Half
19	710-0118		Hex Bolt 5/16-18 x .75" Lg.*	55	756-0972		Inner Engine Pulley Half
21	736-0217		L-Wash. 3/8" I.D.—H.D.	56	756-0971		Hex Nut 5/16-24 Thd.*
22	712-0206		Hex Nut 1/2-13 Thd.*	57	712-0123		Hex Bolt 5/16-24 x .62" Lg.*
23	736-0921		L-Wash. 1/2" I.D.*	58	710-0237		Belt Keeper Ass'y.
24	784-0155 686-0079		Engine Mounting Rail—R.H.	59	784-0197		Hex Cap Nut 1/4-28 Thd.
25	723-0381		#40 Counter Weight	62	712-0392		Belt Cover Brkt. Ass'y.
26	736-0326		FI-Wash. .510" I.D. x 1.0"	63	686-0027		Hex Bolt 5/16-18 x 1" Lg. (Gr. 5)
27	710-0382		Hex Bolt 1/2-13 x 5.00" Lg.*	64	710-0376		Shld. Nut
30	784-0154 686-0080		Engine Mounting Rail—L.H.	65	738-0876		Clevis Pin
31	710-0216		Hex Bolt 3/8-16 x .75" Lg.*	66	711-1017		Hairpin Clip
32	710-0442		Hex Bolt 5/16-18 x 1.50"*	67	714-0104		Cable Tie—Self Clinching
36	746-0908		Clutch Control Cable 46" Lg.	68	725-0157		
37	686-0026		Idler Bracket Ass'y.				

*For faster service obtain standard nuts, bolts and washers locally.
If these items cannot be obtained locally, order by part number
and size as shown on parts list.

Models 430 and 447



PARTS LIST FOR MODEL 430 REAR TINE TILLER

REF. NO.	PART NO.	CODE	DESCRIPTION	REF. NO.	PART NO.	CODE	DESCRIPTION
1	784-0171A		Shifting Bracket Ass'y.	34	717-0854		Spur Gear 30T 12/16" I.D.
2	732-0496		Compression Spring .10" Lg.	35	717-0874		30/44T Gear Ass'y. Comp.
3	741-0862		Ball Detent .250" Dia.	36	717-0863		Spur Gear 44T
4	738-0645		Detent Shaft 1/2" Dia.	37	741-0181		Sleeve Bearing
5	750-0664		Spacer .505" I.D. x .88" O.D.	38	717-0835		Gear Hub 3/4" I.D. x 3" Lg.
6	741-0155		Ball Brg. .62" I.D. x 1.38"	39	717-0855		Spur Gear 30T 1.0" I.D. x 1/2" W
7	717-0851		Spur Gear 16T (Input)	40	738-0647		Jack Shaft 5/8" Dia. x 5"
8	717-0852		Input Spline Shaft 7/8"	41	738-0648		Jack Shaft 5/8" Dia. x 2.38"
9	750-0651		Spacer .657" I.D. x 2.85" Lg.	42	784-0215		Trans. Housing Ass'y.—R.H.
10	736-0187		Fl-Wash. .640" I.D. x 1.24"	43	717-0858		Spur Gear 55T
11	717-0857		Spur Gear 30T 7/8" I.D.	45	741-0421		Wheel Brg. .752" x 2.5"
12	741-0478		Needle Bearing 5/8" I.D.	46	713-0367		#420 Chain 1/2 Pitch x 50 Links—Endless
13	721-0211		Gasket—Trans. Hsg.	47	611-0020		Wheel Shaft Ass'y. 15.6"
14	710-0599		Hex S-Tap Scr. 1/4-20 x .5"	48	784-0192		Bracket Gear Case—R.H.
15	784-0211		1-3/8" Dia. Bearing Housing	49	784-0195		R.H. Housing Ass'y.
16	710-0642		Hex TT-Tap Scr. 1/4-20 x .75"	50	710-0116		Hex Bolt 5/16-18 x 2"
17	712-0267		Hex Nut 5/16-18 Thd.	51	710-0378		Hex Bolt 5/16-18 x 2.5"
18	736-0119		L-Wash. 5/16" I.D.*	52	710-0513		Hex Bolt 1/4-20 x .62" Lg.
19	750-0662		Spacer 1.56" Lg.	53	736-0169		L-Wash. 3/8" I.D.*
20	712-0378		Hex Nut 7/16-20 Thd.	54	736-0176		Fl-Wash. 1/4" I.D. x .93" O.D.
21	736-0407		Bell-Wash. .45" I.D. x 1.0"	55	786-0065		Gear Positioner Bracket
22	750-0661		Spacer 1.015" Lg.	56	736-0406		Fl-Wash. 7/16" I.D. x 1-3/8"
23	741-0420		Tine Shaft Brg. 1.002 x 2.50	57	784-0167		Dust Cover Ass'y. 1" Shaft
24	784-0214		Trans. Housing Ass'y.—L.H.	58	750-0570		Spacer 1" I.D. x 2" O.D.
25	784-0193		Bracket Gear Case—L.H.	59	717-0853		Shifting Fork
26	784-0166		Dust Cover Ass'y. .75" Shaft	60	710-0118		Hex Bolt 5/16-18 x .75" Lg.*
27	611-0021		Tine Shaft Ass'y. 1" O.D.	63	784-0162		10T Sprocket Ass'y.
28	736-0351		Fl-Wash. .76" I.D. x 1.5" O.D.	64	736-0163		Thrust Wash. 1.03" I.D. x 1.62" O.D.
29	750-0671		Spacer .75" I.D. x .50" Lg.				16 oz. Bottle #00EP Grease (27 oz. Req'd.)
30	713-0226		Chain #50 5/8 Pitch x 52 Links—Endless				Gear Case Assembly Complete
31	741-0488		Needle Bearing 5/8" I.D.		737-0223		
32	716-0865		Snap Ring				
33	726-0277		Taper Cap Plug		686-0058		

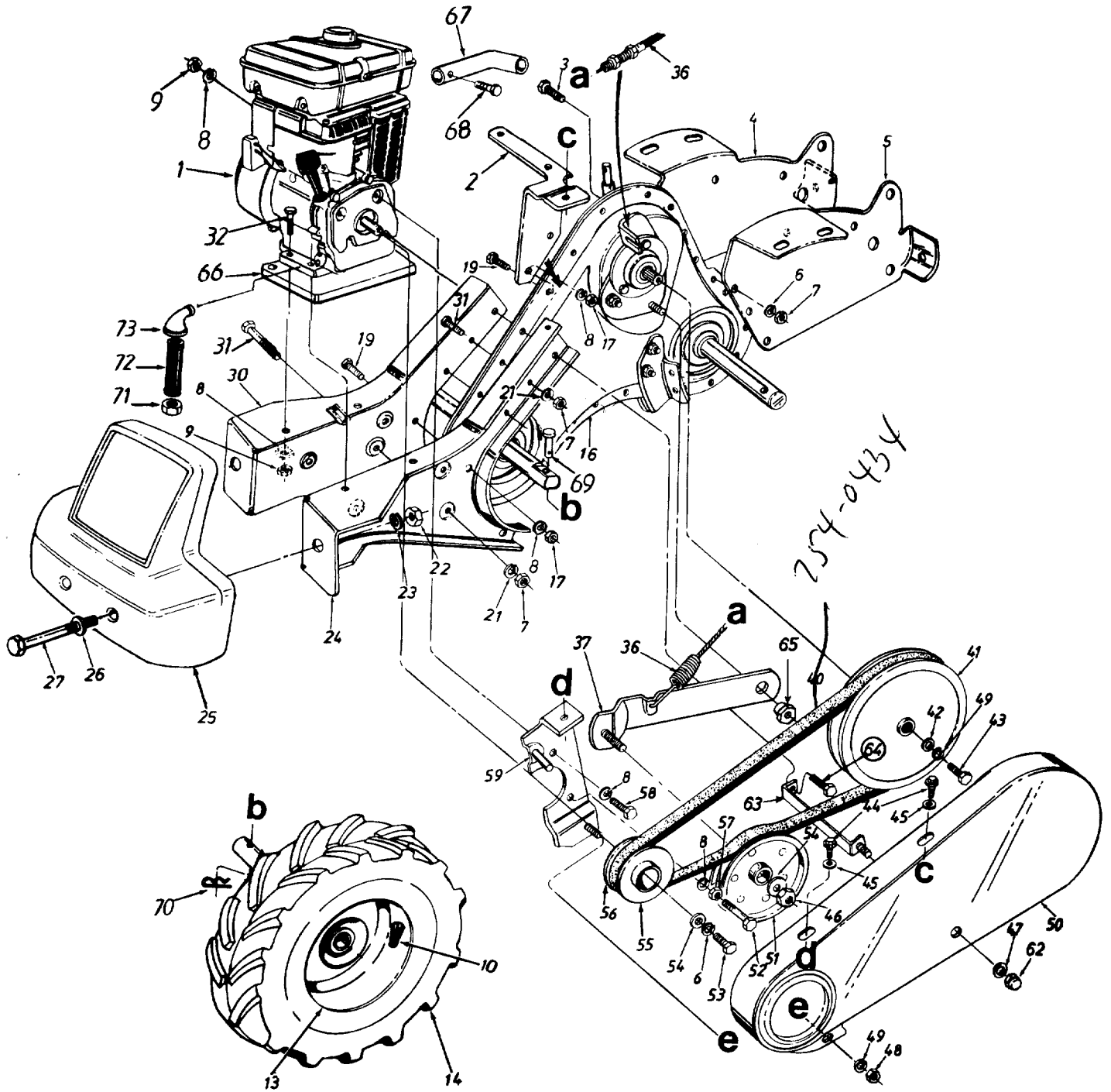
Model 447

PARTS LIST FOR MODEL 447 REAR TINE TILLER

REF. NO.	PART NO.	CODE	DESCRIPTION	REF. NO.	PART NO.	CODE	DESCRIPTION
4	720-0180		Handle Grip	42	710-0118		Hex Bolt 5/16-18 x .75" Lg.*
5	720-0210A		Small "T" Knob	43	784-0210		Bracket Reinforcement—18"
6	720-0209		Large "T" Knob	44	786-0113	N	Tine Shield Hinge Flap
7	747-0666		Clutch Rod	46	714-0104		Intern. Cotter Pin 5/16" Dia.
8	747-0664		Control Rod 37" Lg.	47	784-0208A		Shift Cover
9	735-0228		Snap On Bushing 3/8" Dia.	48	715-0120		Spring Roll Pin 3/16" Dia.
10	725-0157		Cable Tie-Self Clinching	49	784-0173		Shifting Crank Ass'y.
11	784-0202B		Clutch Grip Ass'y.—L. 1.	50	735-0127		Rubber Washer .33" I.D.
12	746-0605		Barrel Cable Hold Down	51	736-0133		Fl-Wash. .4" I.D. x 1.25" O.D.
13	710-0919		Hex B-Tap Scr. #10 x .44" Lg.	52	735-0227		Snap On Bushing 1/2" Dia.
14	710-0331		Hex Bolt 3/8-24 x 2.25" Lg.*	53	736-0317		Bell-Wash. .63" I.D. x 1.25"
15	712-0262		Hex Jam L-Nut 3/8-24 Thd.	54	710-0607		Hex Wash. Tap Scr.
16	746-0908		Clutch Control Cable .6" Lg.	56	747-0432		Tiller Flap Rod
17	710-0194		Hex Bolt 3/8-16 x 3.00" Lg.*	57	784-0179A	N	End Cover Ass'y.
18	736-0217		L-Wash. 3/8" I.D.—H.I.D.	58	15390		Side Shield
19	686-0075		Handle Ass'y.	59	736-0242		Bell-Wash. .345" I.D. x .88"
20	712-0798		Hex Nut 3/8-16 Thd.*	60	712-0267		Hex Nut 5/16-18 Thd.*
21	784-0189		Handle Tubing Ass'y.	61	736-0119		L-Wash. 5/16" I.D.*
23	714-0507		Cotter Pin 3/32" Dia. x .75" Lg.*	62	711-0415		Clevis Pin .375" Dia.
24	714-3021		Cotter Pin 3/32" Dia. x 1.25" Lg.*	63	712-0241		Hex Nut 3/8-24 Thd.*
25	712-0386A		Hex Slotted Nut 5/8-13 Thd.	64	742-0305		13" Dia. Articulating Tine
26	784-0190		Handle Adj. Crank	65	738-0689		Shld. Bolt 1/2" Dia. x .175
27	712-0375		Hex Cent. L-Nut 3/8-13 Thd.	66	736-0208		Fl-Wash. .51" I.D. x 1.50"
29	736-0105		Bell-Wash. .4" I.D. x 1.17" O.D.	67	736-0255		Bell-Wash. .515" I.D. x 1.14"
30	784-0263		Handle Pivot Bracket	68	738-0688		Shld. Bolt 1/2" Dia. x .320
31	748-0375		Handle Link	69	714-0149B		Intern. Cotter Pin
32	732-0493		Spring Handle Adj. (Torsion)	70	784-0160		Tine Adapter Ass'y. 18"
33	712-0379		Hex Flange Nut 3/8-24 Thd.	71	784-0205		Tine Ass'y. Comp. 18"
34	784-0191		Bracket Hex Nut Retainer	72	786-0120		Depth Bar
35	710-0644		Hex Bolt 3/8-16 x 3.25" Lg.*	73	710-0253		Hex Bolt 3/8-16 x 1" Lg.*
36	710-0521		Hex Bolt 3/8-16 x 3.00" Lg.—Gr. 8	74	738-0148		Shld. Bolt 1/2" I.D. x .62" Lg.
37	710-0253		Hex Bolt 3/8-16 x 1" Lg.*	75	736-0117		Fl-Wash. 3/8" I.D. x 5/8" O.D.
38	784-0181A		Handle Positioner Brk. Ass'y.	77	736-0169		L-Wash. 3/8" I.D.*
39	714-0149B		Intern. Cotter Pin	78	736-0463		Fl-Wash. .281" I.D. x .62"
40	711-0415		Clevis Pin .375" Dia.	79	710-0599		Hex Wash. Self-Tap Scr. 1/4-20 x .50" Lg.
41	784-0156		Tine Shield 18"	80	710-0528		Hex Bolt 5/16-18 x 11/4" Lg.*
				81	712-0419		Cap L-Nut 5/16-18 Thd.
				82	712-0421		Plastic Knob 5/16-18 Thd.
				83	736-3004		Fl-Wash. .406" I.D. x .875" O.D.

*For faster service obtain standard nuts, bolts and washers locally. If these items cannot be obtained locally, order by part number and size as shown on parts list.

Model 447



Model 447

PARTS LIST FOR MODEL 447 REAR TINE TILLER

REF. NO.	PART NO.	CODE	DESCRIPTION	REF. NO.	PART NO.	CODE	DESCRIPTION
1	—		Engine	43	710-0412		Hex Bolt 1/4-28 x .75" Lg.
2	786-0123		Shift Cover Mounting Brkt.	44	710-0599		Hex Wash. Hd. S-Tap Scr. 1/4-20 x .50" Lg.
3	710-0253		Hex Bolt 3/8-16 x 1.00" Lg.*	45	736-0463		FI-Wash. .281" I.D. x .625"
4	784-0178		Tine Shield Mtg. Brkt.—R.H.	46	712-0262		Hex Cent. L-Nut 3/8-24 Thd.
5	784-0177		Tine Shield Mtg. Brkt.—L.H.	47	736-3020		FI-Wash. .266" I.D. x .625" O.D.
6	736-0169		L-Wash. 3/8" I.D.*	48	712-0287		Hex Nut 1/4-20 Thd.*
7	712-0798		Hex Nut 3/8-16 Thd.*	49	736-0329		L-Wash. 1/4" I.D.*
8	736-0119		L-Wash. 5/16" I.D.*	50	784-0158		Belt Cover
9	712-0267		Hex Nut 5/16-18" Thd *	51	756-0405		FI-Idler w/Flanges 3.75" O.D.
10	734-0255		Air Valve	52	710-0409		Hex Bolt 5/16-24 x 1.75"
13	634-0108		Wheel Rim Ass'y. Only	53	710-0152		Hex Bolt 3/8-24 x 1.00" Lg.*
14	634-0107		L.H. Wheel Ass'y. Comp.	54	736-0258		FI-Wash. 3/8" I.D. x 1.00"
	634-0106		R.H. Wheel Ass'y. Comp.	55	756-0971		Outer Engine Pulley Half
	734-0808		Tire Only	56	756-0972		Inner Engine Pulley Half
16	686-0058		Gear Case Ass'y. Comp.	57	712-0123		Hex Nut 5/16-24 Thd.*
17	712-0267		Hex Nut 5/16-18 Thd.*	58	710-0237		Hex Bolt 5/16-24 x .62" Lg.*
19	710-0118		Hex Bolt 5/16-18 x .75" Lg.*	59	686-0065		Belt Keeper Ass'y.
21	736-0217		L-Wash. 3/8" I.D.—H.D.	62	712-0392		Hex Cap Nut 1/4-28 Thd.
22	712-0206		Hex Nut 1/2-13 Thd.*	63	686-0064		Belt Cover Brkt. Ass'y.
23	736-0921		L-Wash. 1/2" I.D.*	64	710-0376		Hex Bolt 5/16-18 x 1" Lg. (Gr. 5)
24	784-0155		Engine Mounting Rail—R.H.	65	738-0876		Shld. Nut
25	731-1595		Counter Weight	66	717-0522		Engine Spacer Block
26	736-0326		FI-Wash. .510" I.D. x 1.0"	67	751-0596		Outlet Pipe
27	710-0382		Hex Bolt 1/2-13 x 5.00" Lg.*	68	710-0227		Hex Wash. Hd. AB-Tap Scr. #8 x .5" Lg.
30	784-0154		Engine Mounting Rail—L.H.	69	711-1017		Clevis Pin
31	710-0216		Hex Bolt 3/8-16 x .75" Lg.*	70	714-0104		Hairpin Clip
32	710-0176		Hex Bolt 5/16-18 x 2.75"	71	737-0132		Oil Cap 1/4" NPT
36	746-0908		Clutch Control Cable 46" Lg.	72	737-0195		Drain Pipe 1/4" NPT
37	686-0026		Idler Bracket Ass'y.	73			Street Elbow 1/4" NPT
40	736-0267		"V"-Belt				
41	756-0634		FI-Pulley 8" O.D.				
42	736-0176		FI-Wash. 1/4" I.D. x .513" O.D.				

*For faster service obtain standard nuts, bolts and washers locally.
If these items cannot be obtained locally, order by part number
and size as shown on parts list.