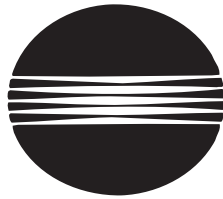


# MINOLTA FAX5600

---

## PARTS MANUAL

---



MINOLTA

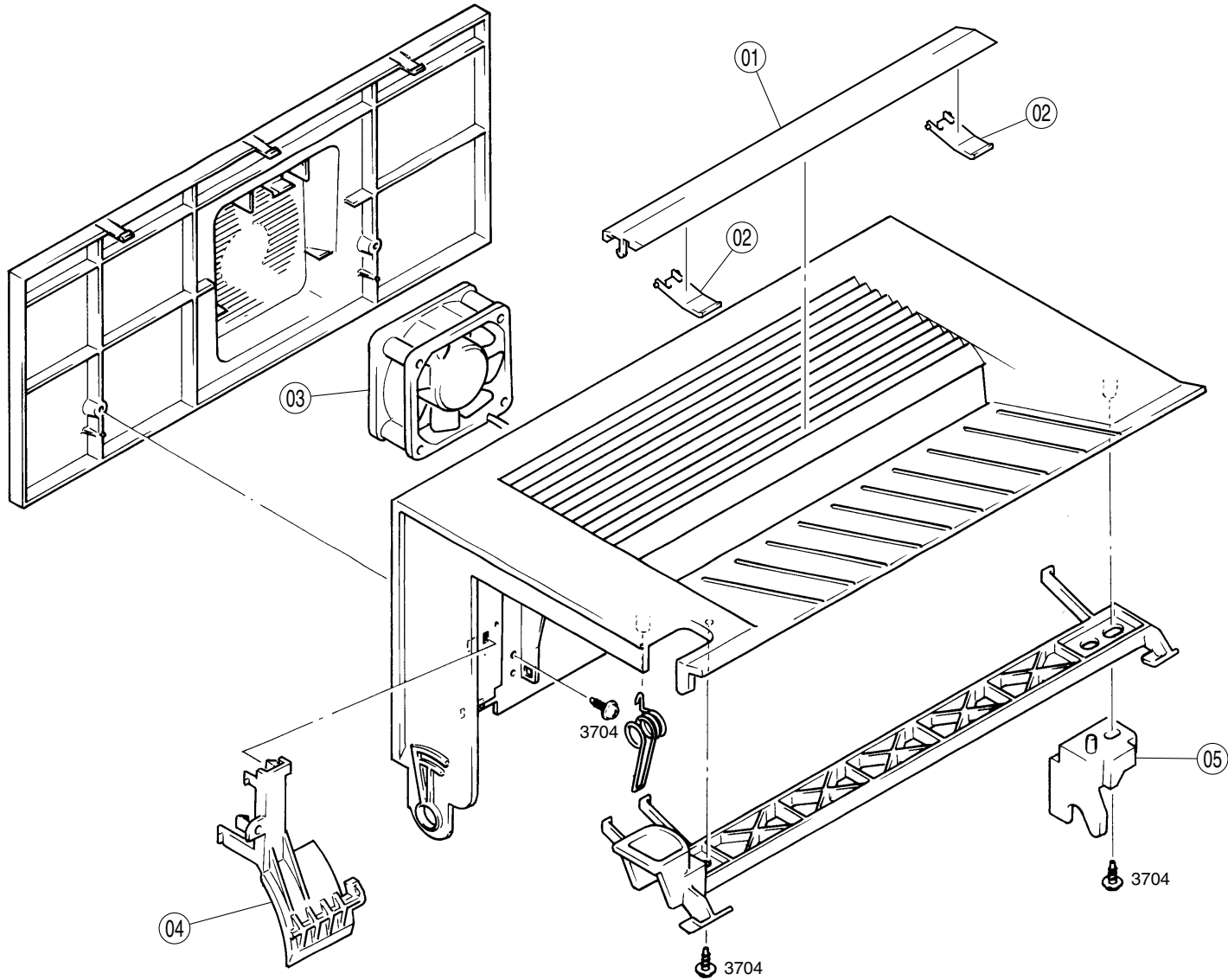
## PREFACE

1. The part numbers listed in Parts Manual are those which were assigned to the parts making up the machine at the time machine was originally introduced onto the market.
2. Parts whose INDEX numbers are shown white against a black background in the illustration are those to be used in only certain market areas. These part numbers are given in the lower half part of the list section. Check the SFIX No. listed in SFIX CHART on page II to find which part number is applicable to your own area.
3. Parts whose INDEX numbers are shown black against a white background in the illustration are those to be used in all market areas. These parts are listed on the upper half part of the list section.
4. If "NS" follows a part number given in the list section, it indicates that we do not keep a stock of the part. The part is not required for ordinary service jobs, either.
5. If "RP" is shown in the REC column of the list section, it indicates that the part is functionally important.
6. In the exploded views in this Parts Manual the parts (Screws & Washes, etc...) which are indicated with a "four-digit" numbers are listed in numerical order in the section "SCREWS AND WASHERS". Please check these "four-digit" numbers with the part numbers ("ten-digit" numbers) which should be used for ordering the part.
7. All part numbers consist of "ten-digit" which should all be quoted when ordering a part. The price of parts can be obtained by referring to the "Parts Price List" which is separately issued.
8. All information contained in this parts manual is subject to change.

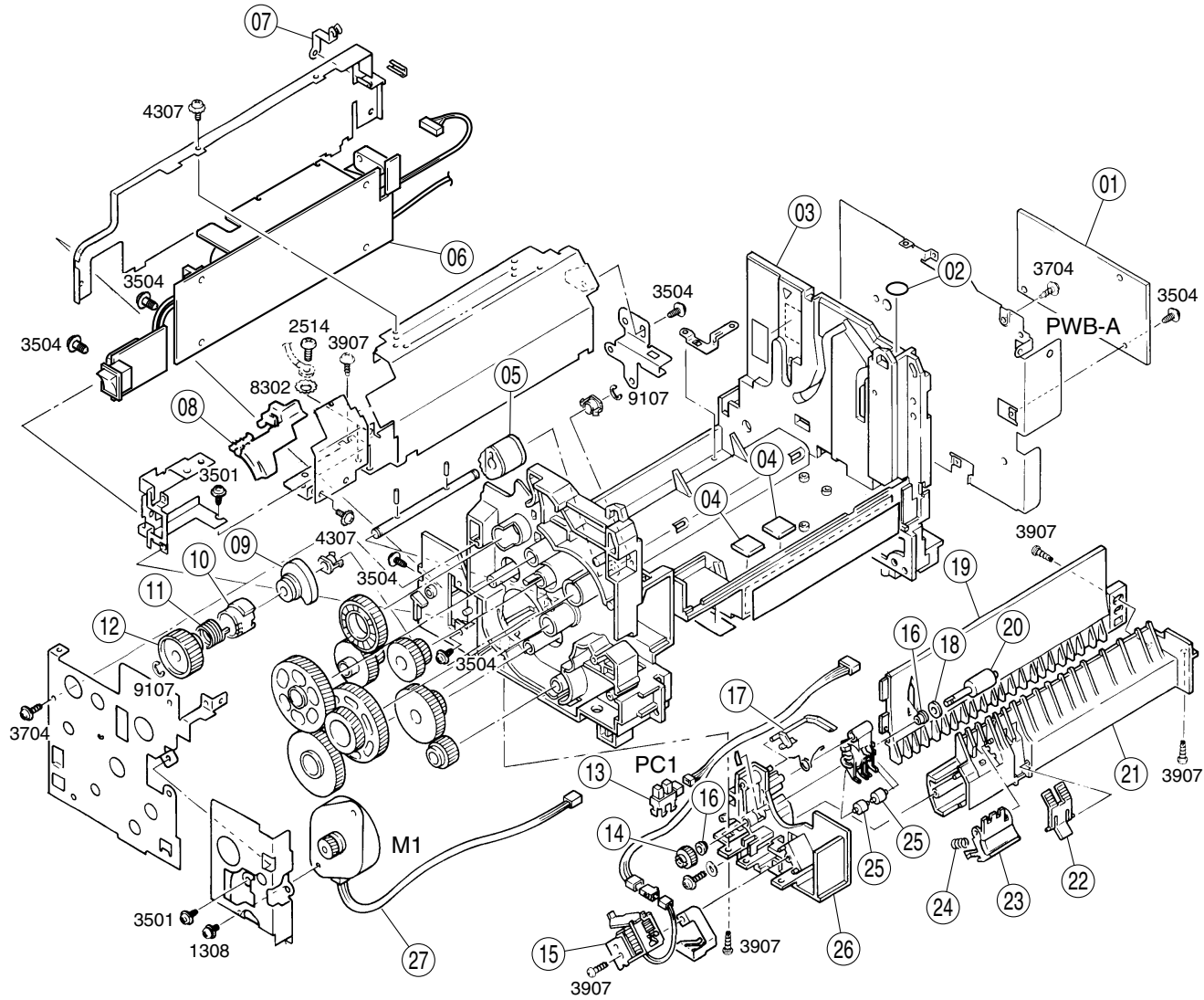
CONTENTS

1. HOUSING ..... 1  
2. DRIVE/PAPER TAKE-UP SECTION (A) ..... 3  
3. DRIVE/PAPER TAKE-UP SECTION (B) ..... 5  
4. TRANSFER UNIT ..... 7  
5. FUSING UNIT ..... 9  
6. HOUSING/PANEL ..... 11  
7. TRANSMIT SECTION (A) ..... 13  
8. TRANSMIT SECTION (B) ..... 15  
9. TRANSMIT SECTION (C) ..... 17  
10. SCANNER SECTION ..... 19  
11. FRAMES ..... 21  
12. CASSETTE ..... 23  
13. HANDSET/ACCESSORIES ..... 25  
14. SCREWS AND WASHERS ..... 27  
15. NUMERICAL INDEX ..... 28

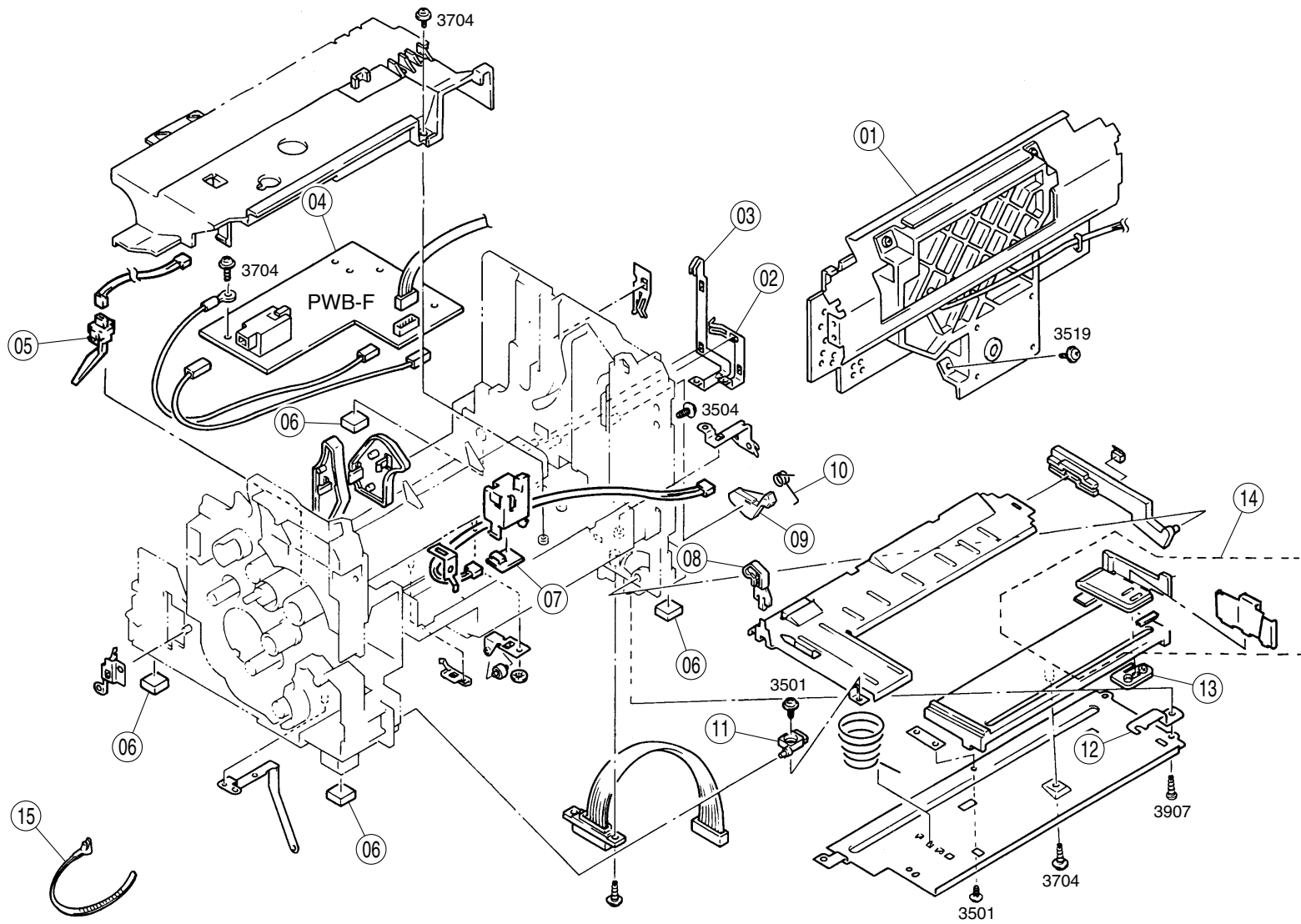
NOVEMBER 1999



INDEX	PART NO.	PART NAME	REC	QTY	INDEX	PART NO.	PART NAME	REC	QTY
01	4283-1027-01	HOLDER		1					
02	4283-1028-01	HOLDER		2					
03	0997-6102-01	FAN MOTOR	RP	1					
04	0992-2304-13	COVER		1					
05	0992-1006-01	ACTUATOR		1					
INDEX	PART NO.	PART NAME	REC	QTY	SFX				

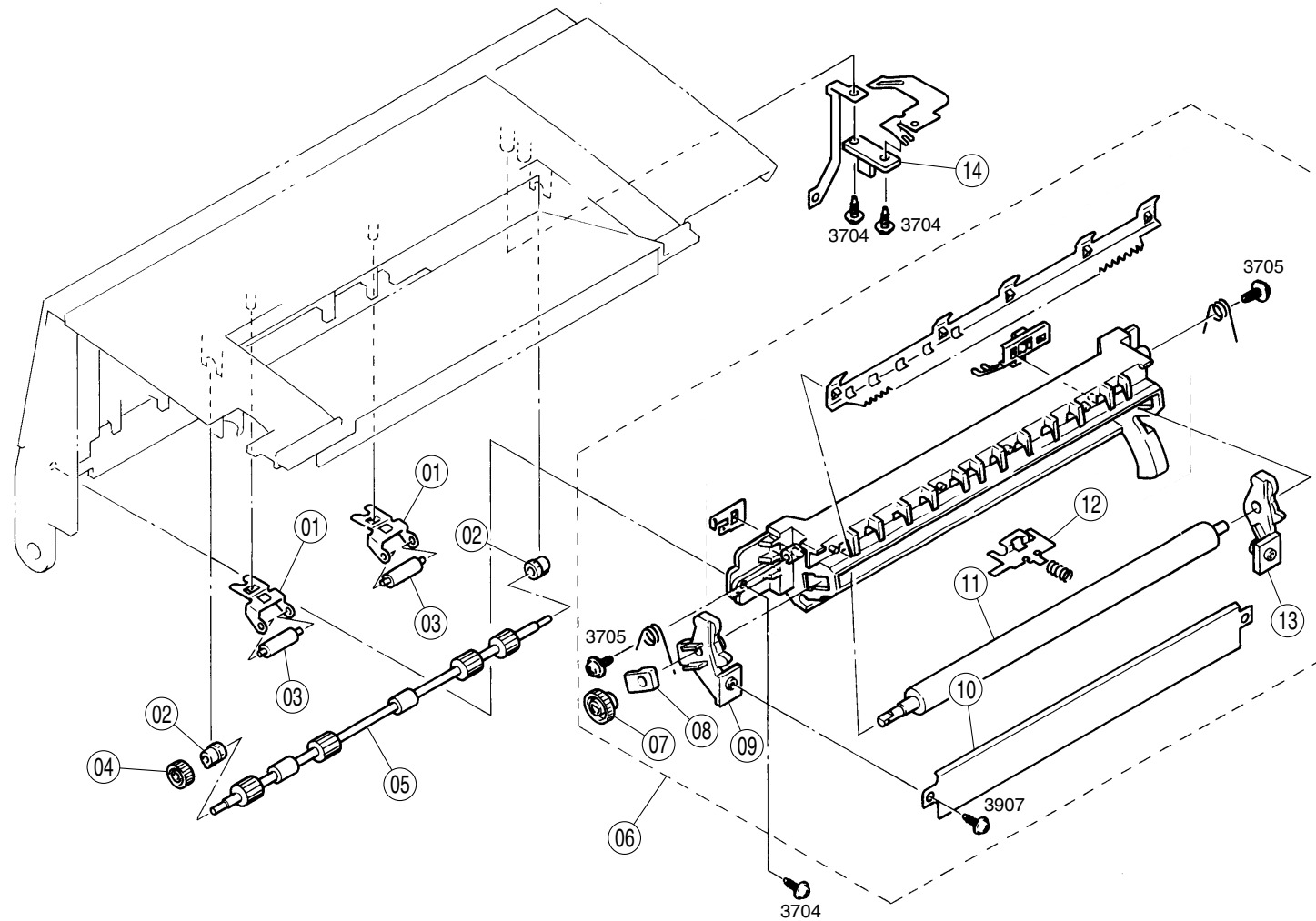


INDEX	PART NO.	PART NAME	REC	QTY	INDEX	PART NO.	PART NAME	REC	QTY
01	0992-0134-02	PW BOARD (PWB-A)	RP	1	19	0992-4101-12	GUIDE		1
02	4283-1031-01	LABEL		1	20	0992-3002-02	ROLLER	RP	1
03	0992-2001-17	HOLDER		1	21	0992-3501-02	GUIDE		1
04	0956-2027-01	RUBBER STRIP		2	22	0992-3022-02	STOPPER		1
05	0992-3001-24	ROLLER	RP	1	23	0992-0751-01	SEPARATOR	RP	1
06	4275-1022-01	PWB-PU	RP	1	24	0992-3041-01	PRESSURE SPRING		1
07	0992-2414-02	GROUND PLATE		1	25	0992-3006-01	ROLL		2
08	0992-2308-25	COVER		1	26	0992-3502-05	HOLDER		1
09	0992-3008-02	CAM		1	27	0992-6108-01	MOTOR (M1)	RP	1
10	0992-3015-02	HOLDER		1					
11	0992-3019-01	CLUTCH SPRING		1					
12	0992-3010-12	GEAR 40T		1					
13	9335-1410-31	PHOTO INTERRUPTER (PC1)	RP	1					
14	0992-3011-02	GEAR 16T		1					
15	0992-6212-13	SOLENOID	RP	1					
16	0992-3014-01	BUSHING		2					
17	0992-3021-14	ACTUATOR		1					
18	1200-1236-02	WASHER		1					
INDEX	PART NO.	PART NAME	REC	QTY	SFIX				

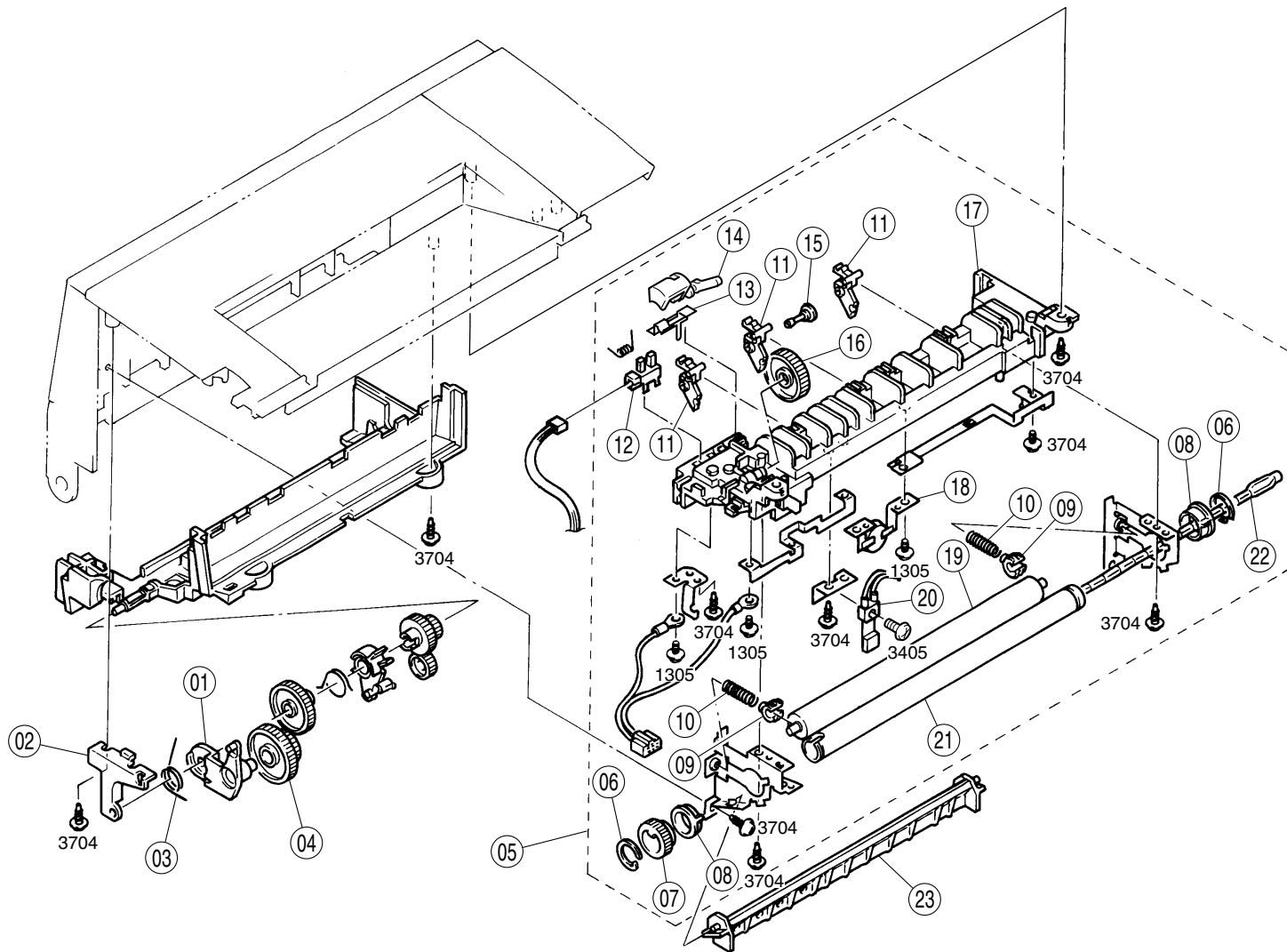




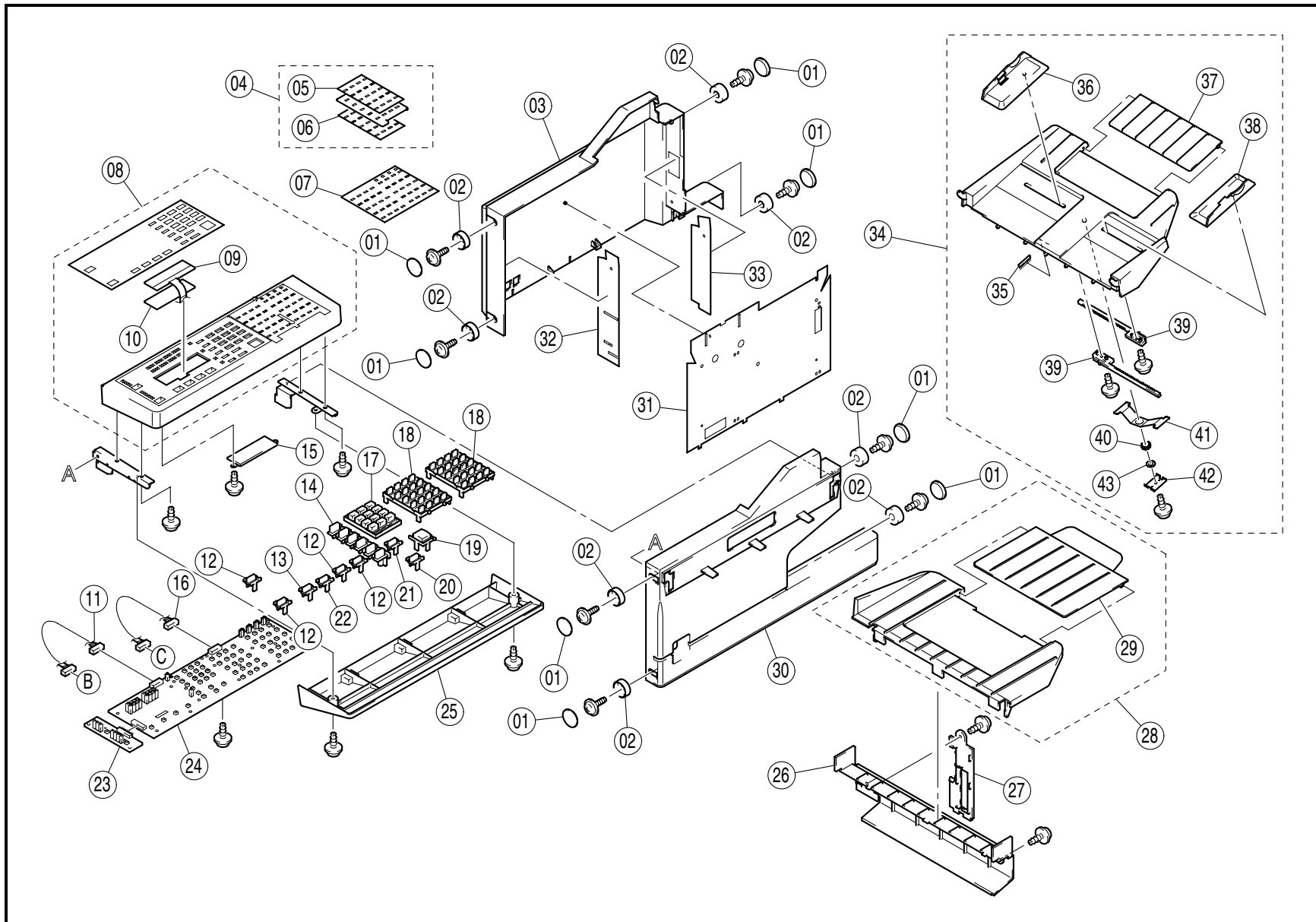
INDEX	PART NO.	PART NAME	REC	QTY	INDEX	PART NO.	PART NAME	REC	QTY
01	0992-0543-01	PRINT HEAD UNIT	RP	1					
02	0992-2007-01	TERMINAL		1					
03	0992-2006-03	TERMINAL		1					
04	0992-6225-01	PWB-HV (PWB-F)	RP	1					
05	0997-6301-01	SWITCH	RP	1					
06	0956-2015-01	RUBBER FOOT		4					
07	0957-0101-01	PW BOARD-G	RP	1					
08	0992-3025-01	CAM		1					
09	0992-2016-01	GUIDE		1					
10	0992-2015-01	TORSION SPRING		1					
11	0992-3007-01	SUPPORT		1					
12	0992-2024-01	GROUND PLATE		1					
13	0992-3105-01	SPACER		1					
14	0992-0761-03	REGULATING PLATE ASSY		1					
15	9384-1311-11	CABLE TIE 104L		1					
INDEX	PART NO.	PART NAME	REC	QTY	SFIX				



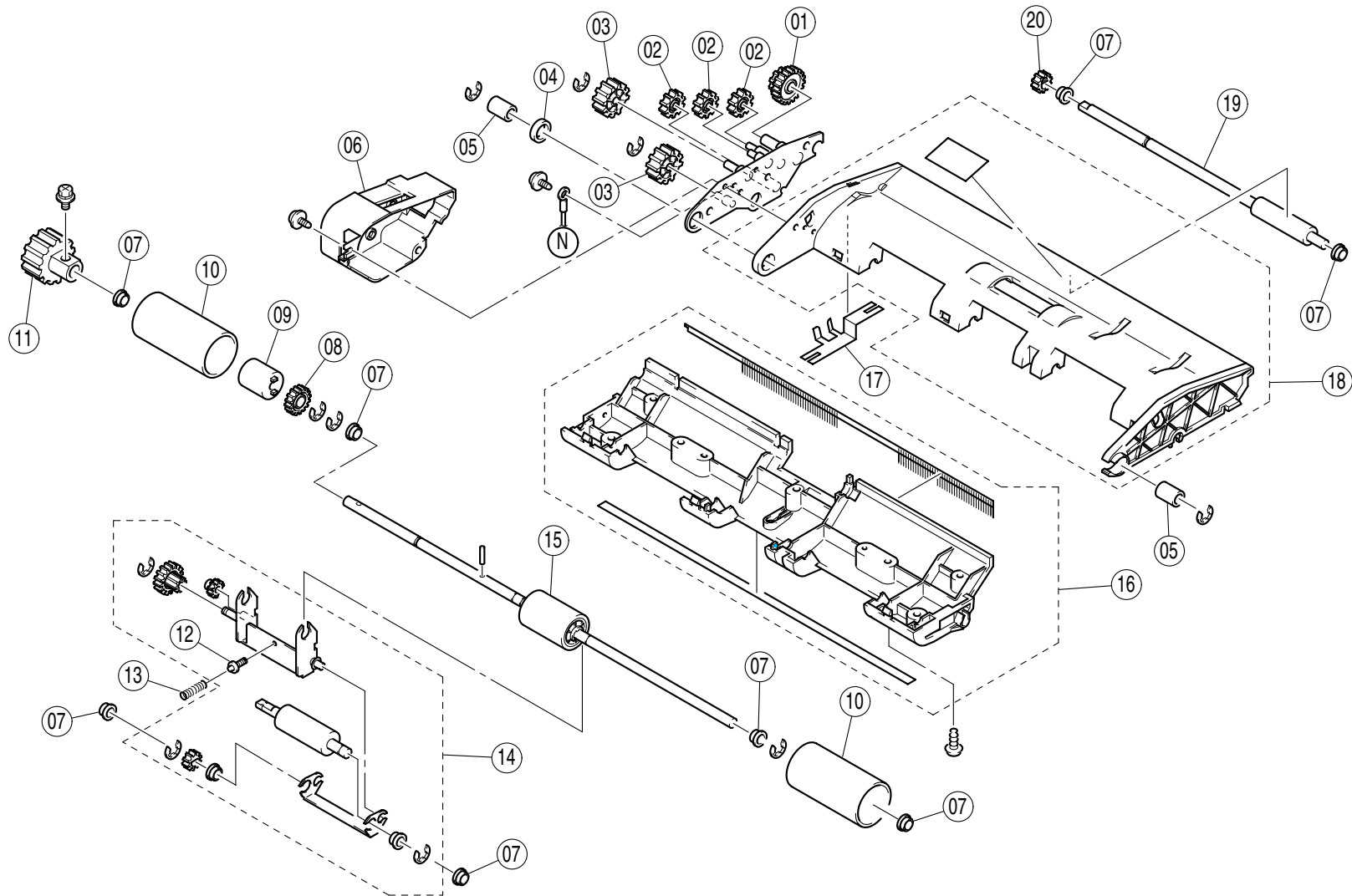
INDEX	PART NO.	PART NAME	REC	QTY	INDEX	PART NO.	PART NAME	REC	QTY
01	0992-3709-01	HOLDER		2					
02	0957-3215-01	BUSHING		2					
03	0992-3707-01	ROLL		2					
04	0957-3208-01	GEAR 15T		1					
05	0992-3720-01	ROLLER		1					
06	0992-0391-08	TRANSFER UNIT	RP	1					
07	0992-4206-01	GEAR 21T		1					
08	0992-4210-01	RING		1					
09	0992-4205-12	BUSHING		1					
10	0992-4203-01	GUIDE PLATE		1					
11	0992-4201-01	ROLLER	RP	1					
12	0992-4213-01	PLATE		1					
13	0992-4204-12	BUSHING		1					
14	0992-0102-24	PW BOARD-R(NO IC)	RP	1					
INDEX	PART NO.	PART NAME	REC	QTY	SFIX				



INDEX	PART NO.	PART NAME	REC	QTY	INDEX	PART NO.	PART NAME	REC	QTY
01	0992-2550-01	ARM		1	19	0992-5541-01	FUSING ROLLER-LWR	RP	1
02	0992-2552-02	HOLDER		1	20	0992-6715-01	THERMISTOR	RP	1
03	0992-2551-01	TORSION SPRING		1	21	0992-5540-01	FUSING ROLLER-UPR	RP	1
04	0992-2508-13	GEAR 25/50T		1	22	0992-6505-01	TUBE LAMP	RP	1
05	0992-0484-01	FUSING UNIT	RP	1	23	0992-4015-03	GUIDE		1
06	0972-5531-01	C-RING		2					
07	0992-5512-01	GEAR 30T		1					
08	0992-5521-01	BUSHING		2					
09	0957-5511-01	BUSHING		2					
10	0992-5517-13	PRESSURE SPRING		2					
11	0992-5533-03	SEPARATOR		3					
12	9335-1410-31	PHOTO INTERRUPTER	RP	1					
13	0992-7841-01	STOPPER		1					
14	0992-5553-01	ACTUATOR		1					
15	0957-5527-02	SEPARATOR ROLL		1					
16	0992-3706-01	GEAR 40T		1					
17	0992-0156-13	HOLDER		1					
18	0992-6713-01	THERMOSTAT	RP	1					
INDEX	PART NO.	PART NAME	REC	QTY	SFIX				

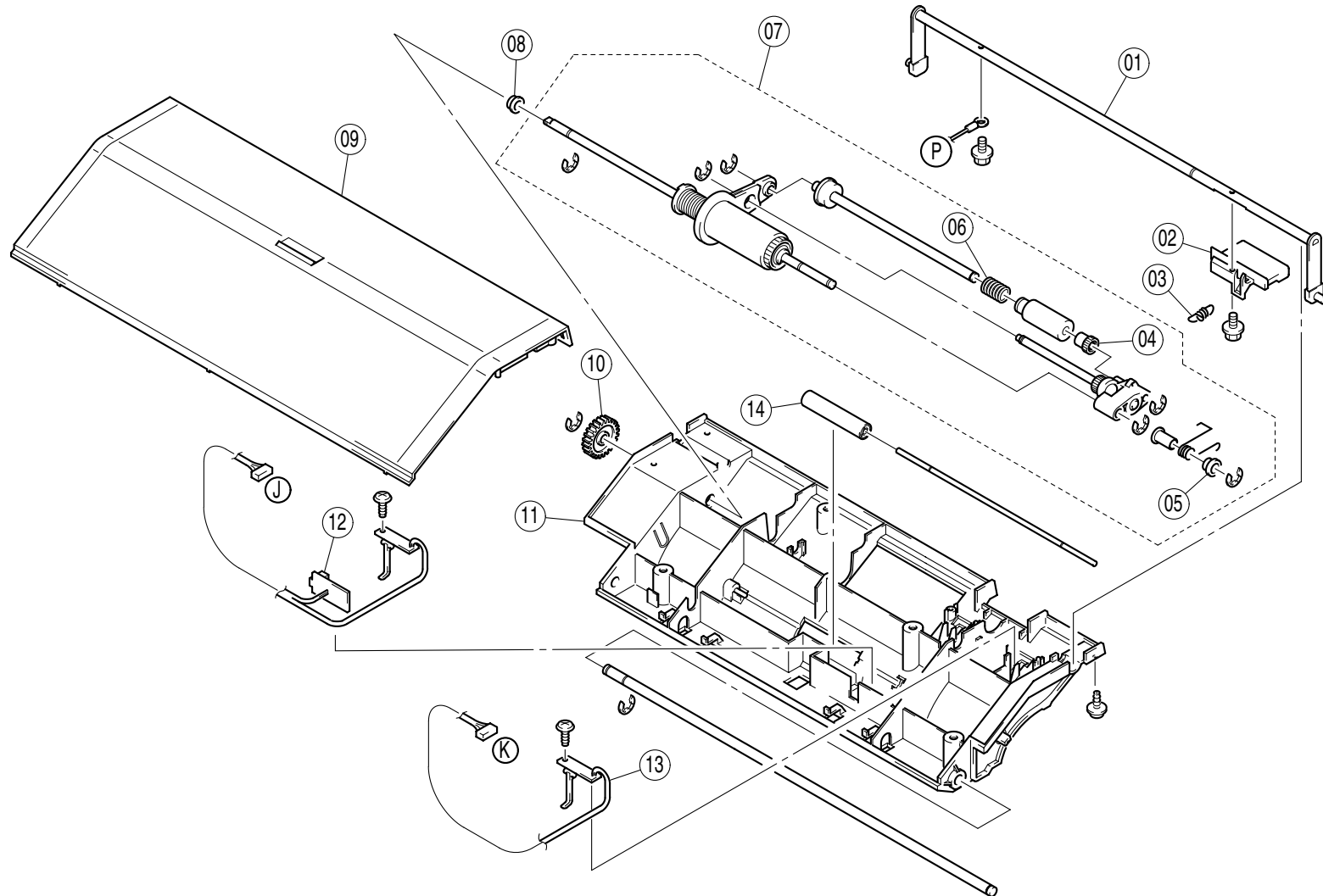


INDEX	PART NO.	PART NAME	REC	QTY	INDEX	PART NO.	PART NAME	REC	QTY
01	4283-1013-01	CAP		8	23	4283-1002-01	PWB	RP	1
02	4283-1014-01	CAP		8	24	4283-1001-01	PWB	RP	1
03	4283-1056-01	REAR COVER		1	25	4283-1011-01	COVER		1
04	4283-1006-01	PANEL ASSY		1	26	4283-1058-01	COVER		1
05	4283-1036-01	LABEL		1	27	4283-1057-01	COVER		1
06	4283-1053-01	LABEL		1	28	4283-1075-01	TRAY ASSY		1
07	4283-1054-01	ONE-TOUCH SHEET		1	29	4283-1078-01	TRAY		1
08	4283-1005-01	COVER ASSY		1	30	4283-1055-01	FRONT COVER		1
09	4275-1001-01	LCD DISPLAY	RP	1	31	4283-1015-01	SHEET		1
10	4278-1184-01	SPACER		1	32	4283-1016-01	SHEET		1
11	4275-1144-01	HARNES		1	33	4283-1017-01	SHEET		1
12	4283-1012-01	BUTTON		4	34	4283-1074-01	TRAY ASSY		1
13	4283-1007-01	BUTTON		1	35	4283-1052-01	BRUSH		1
14	4279-1001-01	KEY TOP		1	36	4278-1087-01	GUIDE		1
15	4278-1189-01	SUPPORT		1	37	4283-1077-01	TRAY		1
16	4275-1149-01	HARNES		1	38	4278-1086-01	GUIDE		1
17	4278-1058-01	KEY TOP		1	39	4282-1003-01	RACK GEAR		2
18	4279-1042-01	KEY TOP		2	40	4283-1050-01	GEAR		1
19	4278-1078-01	KEY TOP		1	41	4275-1111-01	PLATE SPRING		1
20	4278-1077-01	KEY TOP		1	42	4283-1051-01	COVER		1
21	4278-1076-01	KEY TOP		1	43	4256-1081-01	WASHER		1
22	4283-1008-01	BUTTON		1					
INDEX	PART NO.	PART NAME	REC	QTY	SFIX				

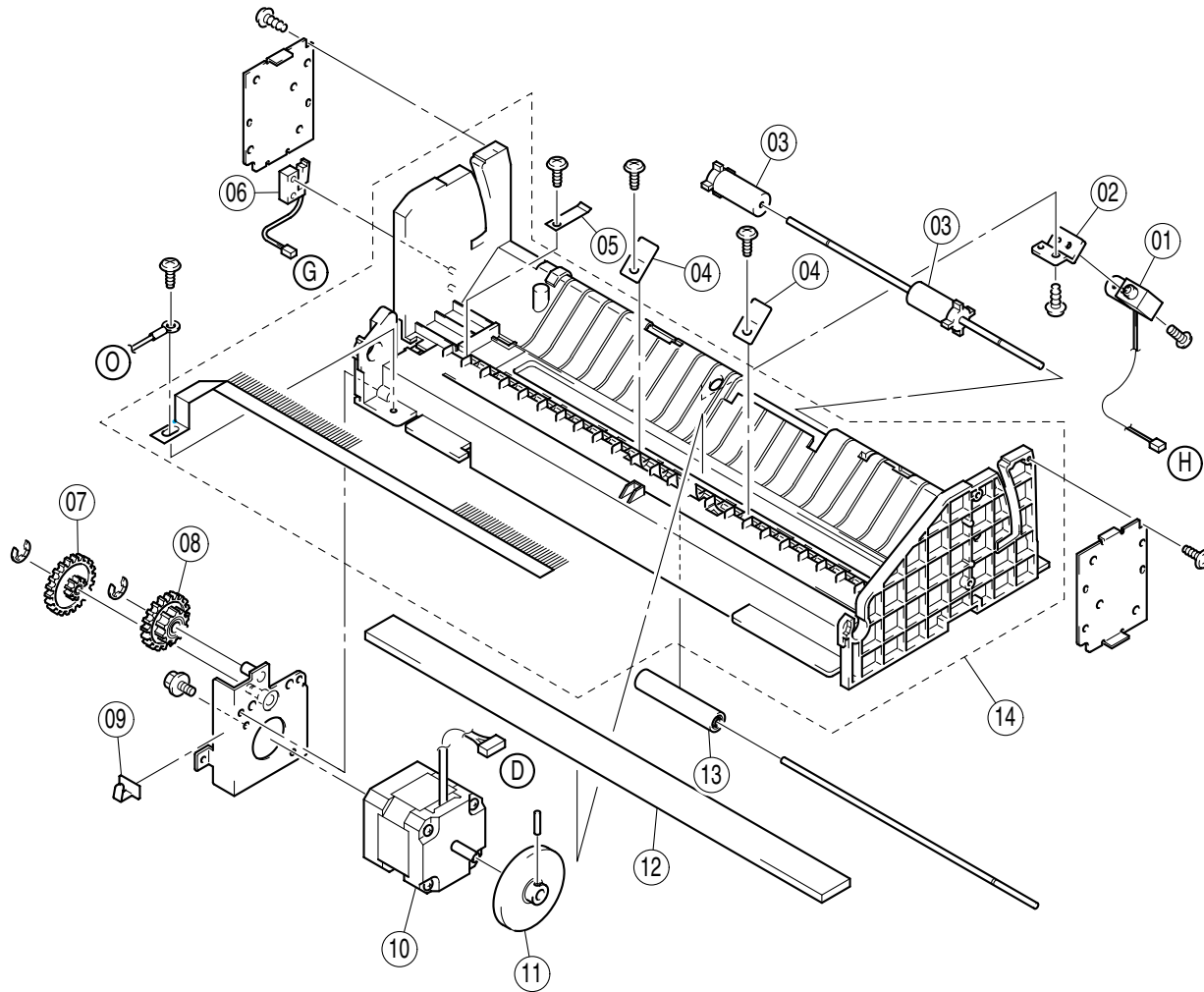




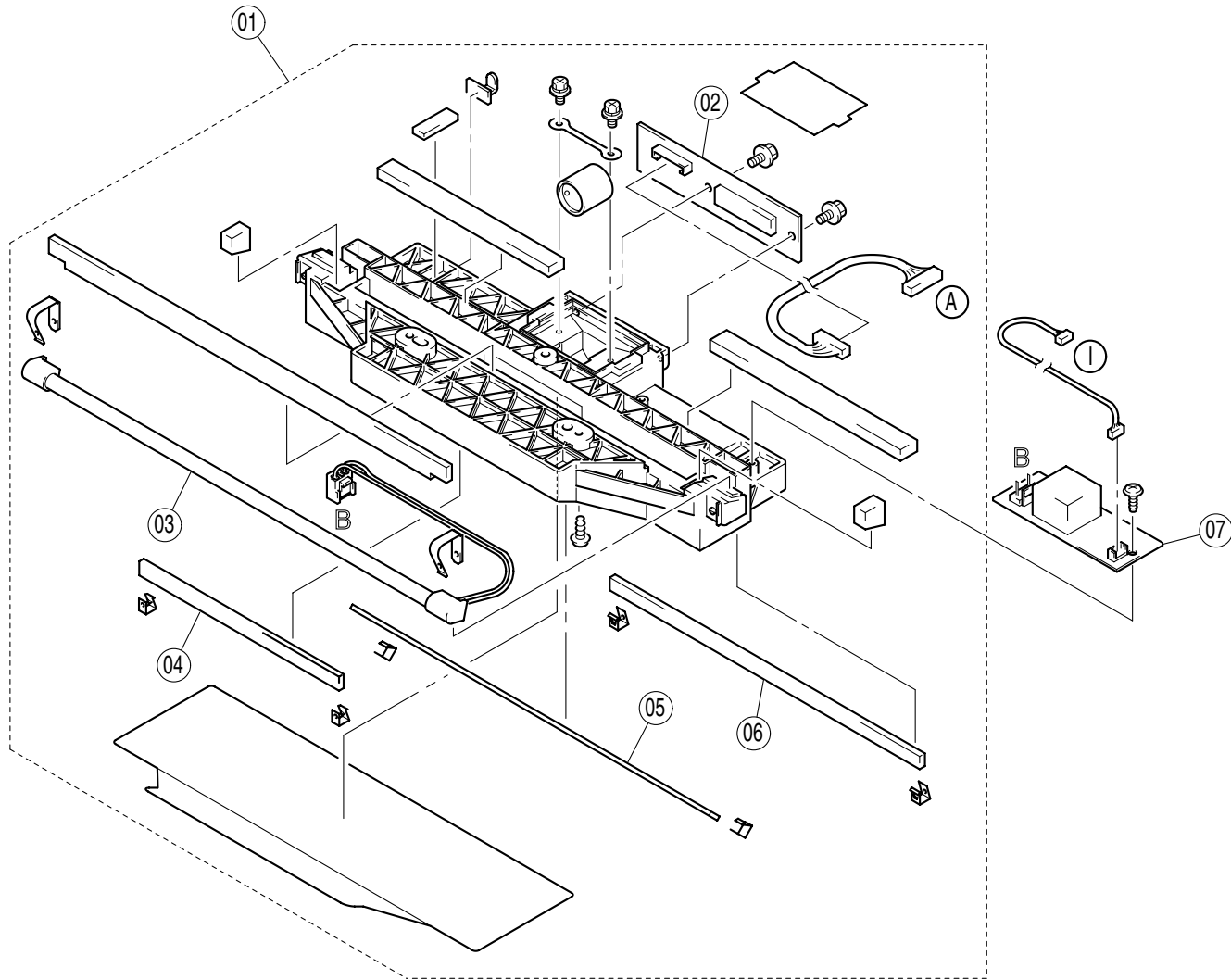
INDEX	PART NO.	PART NAME	REC	QTY	INDEX	PART NO.	PART NAME	REC	QTY
01	4275-1050-01	GEAR 20/46T		1	19	4275-1044-01	ROLLER		1
02	4275-1049-01	GEAR 19T		3	20	4275-1051-01	GEAR		1
03	4275-1071-01	GEAR 25T		2					
04	4275-1068-01	SPACER		1					
05	4275-1066-01	BUSHING		2					
06	4283-1059-01	COVER		1					
07	4275-1175-01	BUSHING		8					
08	4275-1046-01	GEAR 32T		1					
09	4275-1183-01	TORQUE LIMITER	RP	1					
10	4275-1043-01	ROLLER		2					
11	4275-1075-01	GEAR		1					
12	4275-1078-01	SHOULDER SCREW		1					
13	4275-1045-01	PRESSURE SPRING		1					
14	4275-1165-01	ROLLER ASSY	RP	1					
15	4283-1018-01	ROLLER ASSY		1					
16	4275-1164-01	GUIDE ASSY		1					
17	4275-1062-01	GROUND PLATE		1					
18	4275-1163-01	GUIDE ASSY		1					
INDEX	PART NO.	PART NAME	REC	QTY	SFIX				



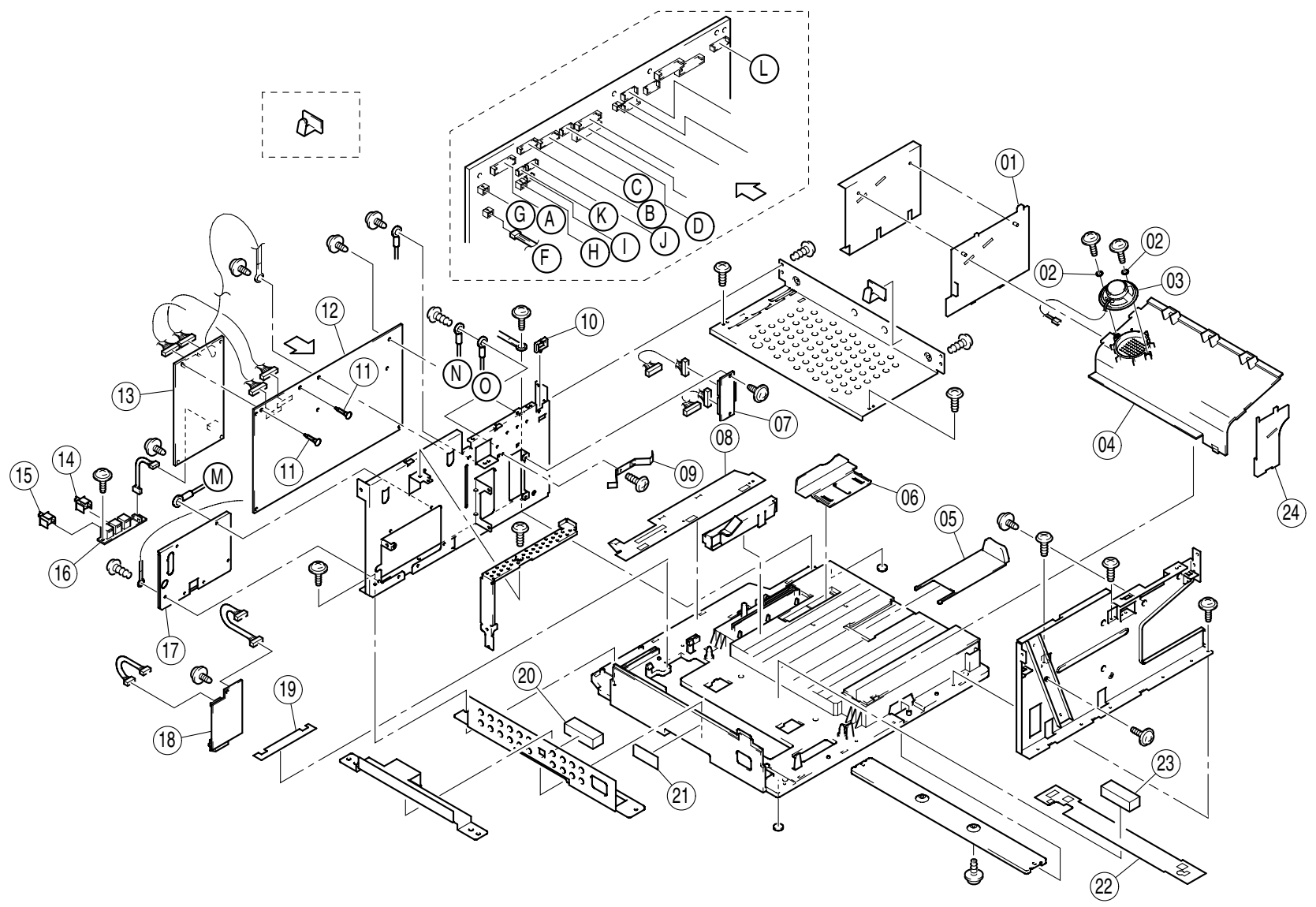
INDEX	PART NO.	PART NAME	REC	QTY	INDEX	PART NO.	PART NAME	REC	QTY
01	4275-1060-01	LEVER		1					
02	4283-1062-01	KNOB		1					
03	4275-1032-01	TENSION SPRING		1					
04	4278-1125-01	GEAR		1					
05	4275-1033-01	BUSHING		1					
06	4278-1124-01	CLUTCH SPRING		1					
07	4283-1033-01	ROLLER ASSY	RP	1					
08	4275-1033-01	BUSHING		1					
09	4283-1061-01	COVER		1					
10	4275-1058-01	GEAR		1					
11	4283-1060-01	GUIDE		1					
12	4275-1004-01	PWB-SWITCH	RP	1					
13	4275-1005-01	PWB-SWITCH	RP	1					
14	4279-1033-01	ROLLER		1					
INDEX	PART NO.	PART NAME	REC	QTY	SFIX				



INDEX	PART NO.	PART NAME	REC	QTY	INDEX	PART NO.	PART NAME	REC	QTY
01	4253-1027-01	STAMP	RP	1					
02	4275-1061-01	BRACKET		1					
03	4275-1034-01	ROLLER		2					
04	4275-1074-01	GUIDE		2					
05	4275-1070-01	SET PLATE		1					
06	4275-1007-01	MICROSWITCH	RP	1					
07	4275-1072-01	GEAR 21/59T		1					
08	4275-1073-01	GEAR 19/53T		1					
09	4220-1085-01	CORD CLAMP		1					
10	4275-1185-01	MOTOR	RP	1					
11	4275-1182-01	DAMPER ROLL		1					
12	4275-1055-01	GLASS		1					
13	4279-1033-01	ROLLER		1					
14	4275-1166-01	GUIDE ASSY		1					
INDEX	PART NO.	PART NAME	REC	QTY	SFX				

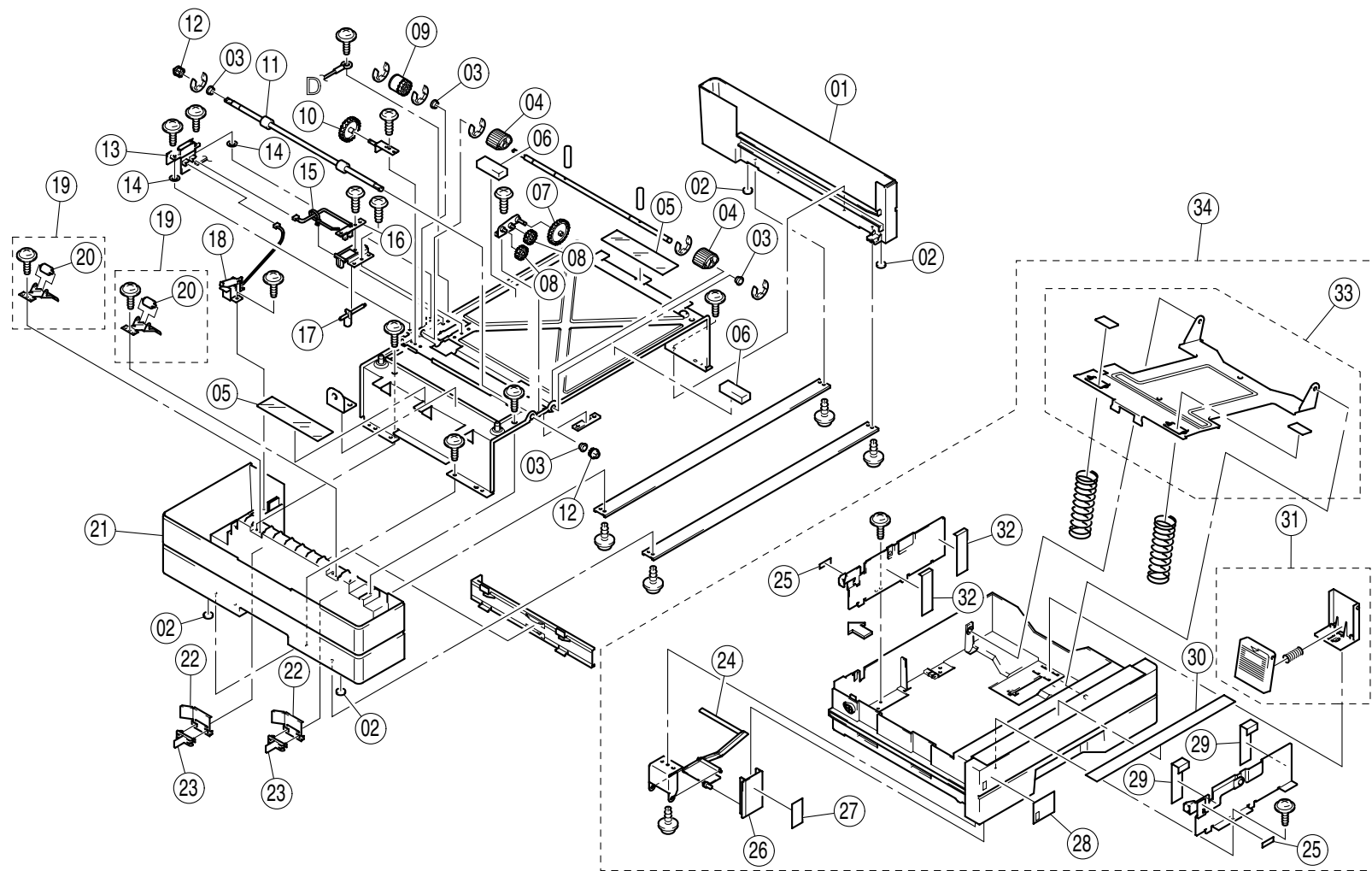


INDEX	PART NO.	PART NAME	REC	QTY	INDEX	PART NO.	PART NAME	REC	QTY
01	4283-1003-01	UNIT PARTS	RP	1					
02	4283-1021-01	PWB		1					
03	4283-1020-01	LAMP	RP	1					
04	4275-1027-01	MIRROR		1					
05	4275-1036-01	MIRROR		1					
06	4275-1035-01	MIRROR		1					
07	4275-1010-01	PWB-INVERTER	RP	1					
INDEX	PART NO.	PART NAME	REC	QTY	SFIX				

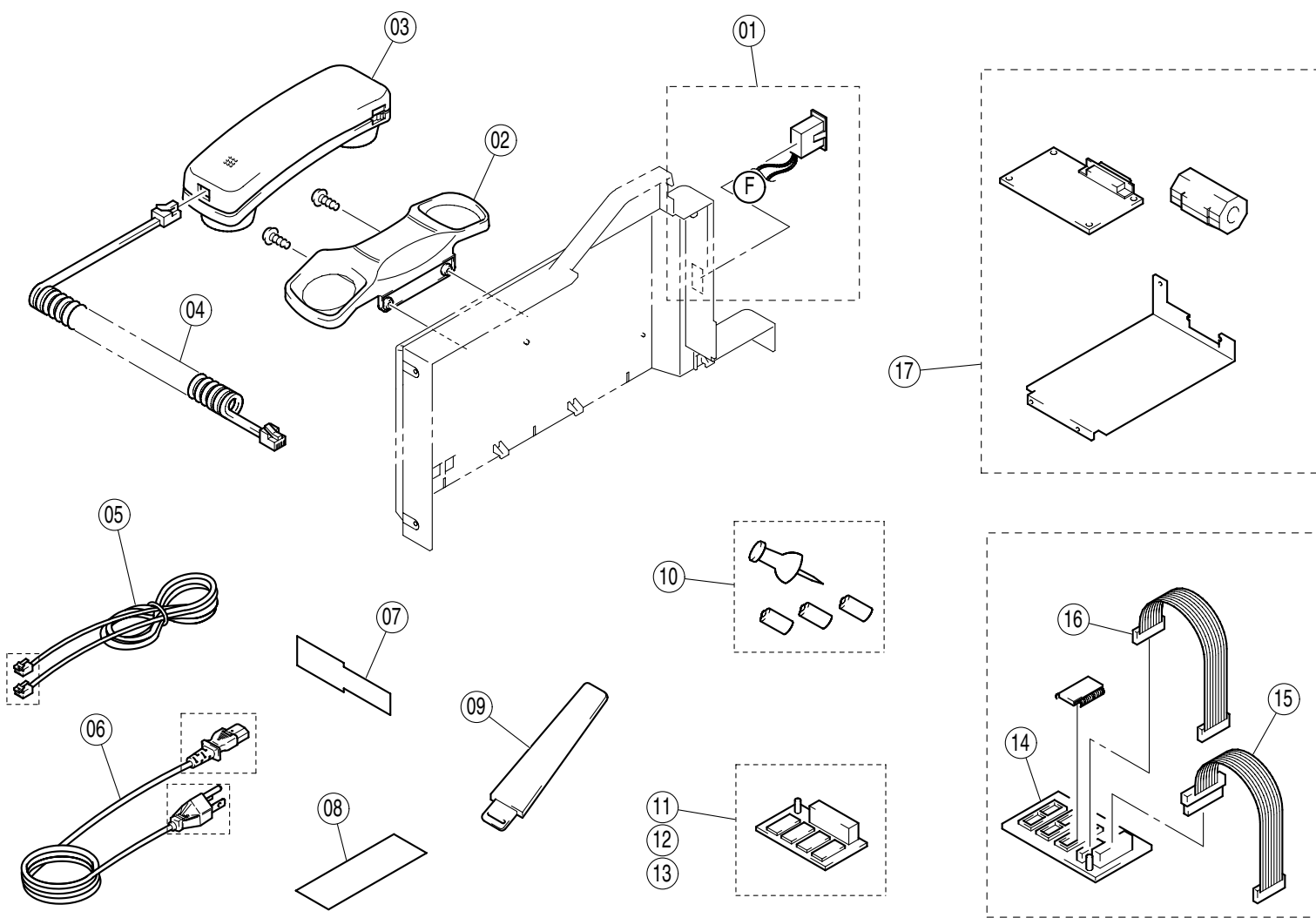




INDEX	PART NO.	PART NAME	REC	QTY	INDEX	PART NO.	PART NAME	REC	QTY
01	4283-1067-01	COVER		1	19	4275-1107-01	SHEET		1
02	4256-1081-01	WASHER		2	20	4283-1030-01	SPONGE		1
03	4275-1157-01	SPEAKER	RP	1	21	4283-1035-01	LABEL		1
04	4283-1066-01	COVER		1	22	4283-1029-01	SHEET		1
05	4283-1064-01	GUIDE		1	23	4283-1030-01	SPONGE		1
06	4283-1065-01	GUIDE		1	24	4283-1068-01	COVER		1
07	4275-1143-01	PWB-CONNECT		1					
08	4283-1032-01	SHEET		1					
09	4275-1042-01	GROUND PLATE		1					
10	4275-1179-01	CORD CLAMP		1					
11	4275-1178-01	SPACER		2					
12	4283-1004-01	PWB	RP	1					
13	4275-1011-01	PWB-NCU	RP	1					
14	4242-1046-01	COVER		1					
15	4278-1479-01	COVER		1					
16	4275-1012-01	PWB-MODULAR	RP	1					
17	4275-1041-01	COVER		1					
18	4275-1024-01	PWB-PRINTER I/F	RP	1					
INDEX	PART NO.	PART NAME	REC	QTY	SFIX				



INDEX	PART NO.	PART NAME	REC	QTY	INDEX	PART NO.	PART NAME	REC	QTY
01	4283-1071-01	RIGHT COVER		1	19	4275-1174-01	ROLL ASSY		2
02	4275-1026-01	FOOT		4	20	4278-1088-01	ROLL		2
03	4275-1175-01	BUSHING		4	21	4283-1072-01	LEFT COVER		1
04	4275-1017-01	TAKE-UP ROLLER	RP	2	22	4275-1130-01	PLATE SPRING		2
05	4275-1116-01	SHEET		2	23	4275-1131-01	HOLDER		2
06	4283-1042-01	SPONGE		2	24	4275-1138-01	LEVER		1
07	4275-1122-01	GEAR 13/45T		1	25	4283-1044-01	SPACER		2
08	4275-1123-01	GEAR 23T		2	26	4275-1137-01	INDICATOR		1
09	4275-1126-01	GEAR		1	27	4275-1140-01	SHEET		1
10	4275-1124-01	GEAR 41T		1	28	4283-1073-01	COVER		1
11	4275-1118-01	ROLLER		1	29	4275-1134-01	SPACER		2
12	4275-1125-01	GEAR		2	30	4275-1142-01	LABEL		1
13	4283-1041-01	PWB	RP	1	31	4283-1070-01	GUIDE ASSY		1
14	4275-1135-01	SPACER		2	32	4275-1133-01	SPACER		2
15	4254-1099-01	CABLE TIE		1	33	4275-1172-01	LIFTING PLATE		1
16	4275-1019-01	PWB-SWITCH	RP	1	34	4283-1069-01	CASSETTE ASSY		1
17	4275-1018-01	ACTUATOR		1					
18	4275-1021-01	SOLENOID	RP	1					
INDEX	PART NO.	PART NAME	REC	QTY	SFIX				



INDEX	PART NO.	PART NAME	REC	QTY	INDEX	PART NO.	PART NAME	REC	QTY
01	4283-1046-02	COUNTER		1					
02	4253-1138-01	HOLDER		1					
03	4283-1079-01	HANDSET		1					
04	4271-1014-01	SPIRAL CORD		1					
05	4256-1127-01	MODULAR CORD		1					
06	4275-1186-01	POWER CORD		1					
07	4283-1049-01	LABEL		1					
08	4283-1048-01	SHEET		1					
09	4283-1076-01	TRAY		1					
10	4282-1080-01	STAMP		1					
11	4283-1080-01	MEMORY 2MB		1					
12	4283-1081-01	MEMORY 4MB		1					
13	4283-1082-01	MEMORY 8MB		1					
14	4278-1496-01	JIG		1					
15	4278-1497-01	HARNESS		1					
16	4278-1498-01	HARNESS		1					
17	4283-1045-01	UNIT PARTS		1					
INDEX	PART NO.	PART NAME	REC	QTY	SFIX				



PART NO.	FIG.	INDEX	QTY		PART NO.	FIG.	INDEX	QTY		PART NO.	FIG.	INDEX	QTY		PART NO.	FIG.	INDEX	QTY	
0956-2015-01	03	06	4		0992-6505-01	05	22	1		4275-1131-01	12	23	2		4283-1031-01	02	02	1	
0956-2027-01	02	04	2		0992-6713-01	05	18	1		4275-1133-01	12	32	2		4283-1032-01	11	08	1	
0957-0101-01	03	07	1		0992-6715-01	05	20	1		4275-1134-01	12	29	2		4283-1033-01	08	07	1	
0957-3208-01	04	04	1		0992-7841-01	05	13	1		4275-1135-01	12	14	2		4283-1035-01	11	21	1	
0957-3215-01	04	02	2		0997-6102-01	01	03	1		4275-1137-01	12	26	1		4283-1036-01	06	05	1	
0957-5511-01	05	09	2		0997-6301-01	03	05	1		4275-1138-01	12	24	1		4283-1041-01	12	13	1	
0957-5527-02	05	15	1		1200-1236-02	02	18	1		4275-1140-01	12	27	1		4283-1042-01	12	06	2	
0972-5531-01	05	06	2		4220-1085-01	09	09	1		4275-1142-01	12	30	1		4283-1044-01	12	25	2	
0992-0102-24	04	14	1		4242-1046-01	11	14	1		4275-1143-01	11	07	1		4283-1045-01	13	17	1	
0992-0134-02	02	01	1		4253-1027-01	09	01	1		4275-1144-01	06	11	1		4283-1046-02	13	01	1	
0992-0156-13	05	17	1		4253-1138-01	13	02	1		4275-1149-01	06	16	1		4283-1048-01	13	08	1	
0992-0391-08	04	06	1		4254-1099-01	12	15	1		4275-1157-01	11	03	1		4283-1049-01	13	07	1	
0992-0484-01	05	05	1		4256-1081-01	06	43	1		4275-1163-01	07	18	1		4283-1050-01	06	40	1	
0992-0543-01	03	01	1		4256-1081-01	11	02	2		4275-1164-01	07	16	1		4283-1051-01	06	42	1	
0992-0751-01	02	23	1		4256-1127-01	13	05	1		4275-1165-01	07	14	1		4283-1052-01	06	35	1	
0992-0761-03	03	14	1		4271-1014-01	13	04	1		4275-1166-01	09	14	1		4283-1053-01	06	06	1	
0992-1006-01	01	05	1		4275-1001-01	06	09	1		4275-1172-01	12	33	1		4283-1054-01	06	07	1	
0992-2001-17	02	03	1		4275-1004-01	08	12	1		4275-1174-01	12	19	2		4283-1055-01	06	30	1	
0992-2006-03	03	03	1		4275-1005-01	08	13	1		4275-1175-01	07	07	8		4283-1056-01	06	03	1	
0992-2007-01	03	02	1		4275-1007-01	09	06	1		4275-1175-01	12	03	4		4283-1057-01	06	27	1	
0992-2015-01	03	10	1		4275-1010-01	10	07	1		4275-1178-01	11	11	2		4283-1058-01	06	26	1	
0992-2016-01	03	09	1		4275-1011-01	11	13	1		4275-1179-01	11	10	1		4283-1059-01	07	06	1	
0992-2024-01	03	12	1		4275-1012-01	11	16	1		4275-1182-01	09	11	1		4283-1060-01	08	11	1	
0992-2304-13	01	04	1		4275-1017-01	12	04	2		4275-1183-01	07	09	1		4283-1061-01	08	09	1	
0992-2308-25	02	08	1		4275-1018-01	12	17	1		4275-1185-01	09	10	1		4283-1062-01	08	02	1	
0992-2414-02	02	07	1		4275-1019-01	12	16	1		4275-1186-01	13	06	1		4283-1064-01	11	05	1	
0992-2508-13	05	04	1		4275-1021-01	12	18	1		4278-1058-01	06	17	1		4283-1065-01	11	06	1	
0992-2550-01	05	01	1		4275-1022-01	02	06	1		4278-1076-01	06	21	1		4283-1066-01	11	04	1	
0992-2551-01	05	03	1		4275-1024-01	11	18	1		4278-1077-01	06	20	1		4283-1067-01	11	01	1	
0992-2552-02	05	02	1		4275-1026-01	12	02	4		4278-1078-01	06	19	1		4283-1068-01	11	24	1	
0992-3001-24	02	05	1		4275-1027-01	10	04	1		4278-1086-01	06	38	1		4283-1069-01	12	34	1	
0992-3002-02	02	20	1		4275-1032-01	08	03	1		4278-1087-01	06	36	1		4283-1070-01	12	31	1	
0992-3006-01	02	25	2		4275-1033-01	08	05	1		4278-1088-01	12	20	2		4283-1071-01	12	01	1	
0992-3007-01	03	11	1		4275-1033-01	08	08	1		4278-1124-01	08	06	1		4283-1072-01	12	21	1	
0992-3008-02	02	09	1		4275-1034-01	09	03	2		4278-1125-01	08	04	1		4283-1073-01	12	28	1	
0992-3010-12	02	12	1		4275-1035-01	10	06	1		4278-1184-01	06	10	1		4283-1074-01	06	34	1	
0992-3011-02	02	14	1		4275-1036-01	10	05	1		4278-1189-01	06	15	1		4283-1075-01	06	28	1	
0992-3014-01	02	16	2		4275-1041-01	11	17	1		4278-1479-01	11	15	1		4283-1076-01	13	09	1	
0992-3015-02	02	10	1		4275-1042-01	11	09	1		4278-1496-01	13	14	1		4283-1077-01	06	37	1	
0992-3019-01	02	11	1		4275-1043-01	07	10	2		4278-1497-01	13	15	1		4283-1078-01	06	29	1	
0992-3021-14	02	17	1		4275-1044-01	07	19	1		4278-1498-01	13	16	1		4283-1079-01	13	03	1	
0992-3022-02	02	22	1		4275-1045-01	07	13	1		4279-1001-01	06	14	1		4283-1080-01	13	11	1	
0992-3025-01	03	08	1		4275-1046-01	07	08	1		4279-1033-01	08	14	1		4283-1081-01	13	12	1	
0992-3041-01	02	24	1		4275-1049-01	07	02	3		4279-1033-01	09	13	1		4283-1082-01	13	13	1	
0992-3105-01	03	13	1		4275-1050-01	07	01	1		4279-1042-01	06	18	2		9335-1410-31	02	13	1	
0992-3501-02	02	21	1		4275-1051-01	07	20	1		4282-1003-01	06	39	2		9335-1410-31	05	12	1	
0992-3502-05	02	26	1		4275-1055-01	09	12	1		4282-1080-01	13	10	1		9384-1311-11	03	15	1	
0992-3706-01	05	16	1		4275-1058-01	08	10	1		4283-1001-01	06	24	1						
0992-3707-01	04	03	2		4275-1060-01	08	01	1		4283-1002-01	06	23	1						
0992-3709-01	04	01	2		4275-1061-01	09	02	1		4283-1003-01	10	01	1						
0992-3720-01	04	05	1		4275-1062-01	07	17	1		4283-1004-01	11	12	1						
0992-4015-03	05	23	1		4275-1066-01	07	05	2		4283-1005-01	06	08	1						
0992-4101-12	02	19	1		4275-1068-01	07	04	1		4283-1006-01	06	04	1						
0992-4201-01	04	11	1		4275-1070-01	09	05	1		4283-1007-01	06	13	1						
0992-4203-01	04	10	1		4275-1071-01	07	03	2		4283-1008-01	06	22	1						
0992-4204-12	04	13	1		4275-1072-01	09	07	1		4283-1011-01	06	25	1						
0992-4205-12	04	09	1		4275-1073-01	09	08	1		4283-1012-01	06	12	4						
0992-4206-01	04	07	1		4275-1074-01	09	04	2		4283-1013-01	06	01	8						
0992-4210-01	04	08	1		4275-1075-01	07	11	1		4283-1014-01	06	02	8						
0992-4213-01	04	12	1		4275-1078-01	07	12	1		4283-1015-01	06	31	1						
0992-5512-01	05	07	1		4275-1107-01	11	19	1		4283-1016-01	06	32	1						
0992-5517-13	05	10	2		4275-1111-01	06	41	1		4283-1017-01	06	33	1						
0992-5521-01	05	08	2		4275-1116-01	12	05	2		4283-1018-01	07	15	1						
0992-5533-03	05	11	3		4275-1118-01	12	11	1		4283-1020-01	10	03	1						
0992-5540-01	05	21	1		4275-1122-01	12	07	1		4283-1021-01	10	02	1						
0992-5541-01	05	19	1		4275-1123-01	12	08	2		4283-1027-01	01	01	1						
0992-5553-01	05	14	1		4275-1124-01	12	10	1		4283-1028-01	01	02	2						
0992-6108-01	02	27	1		4275-1125-01	12	12	2		4283-1029-01	11	22	1						
0992-6212-13	02	15	1		4275-1126-01	12	09	1		4283-1030-01	11	20	1						
0992-6225-01	03	04	1		4275-1130-01	12	22	2		4283-1030-01	11	23	1						



*Copyright*  
*1999 MINOLTA Co., Ltd.*  
*Printed in Japan*

4283-7995-21 99110000