

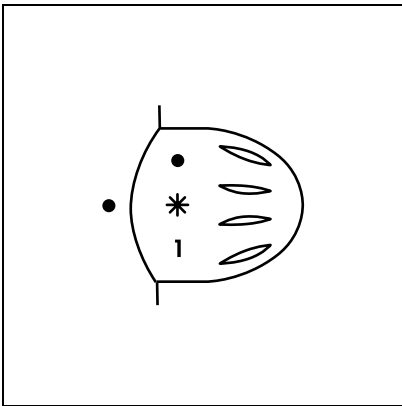
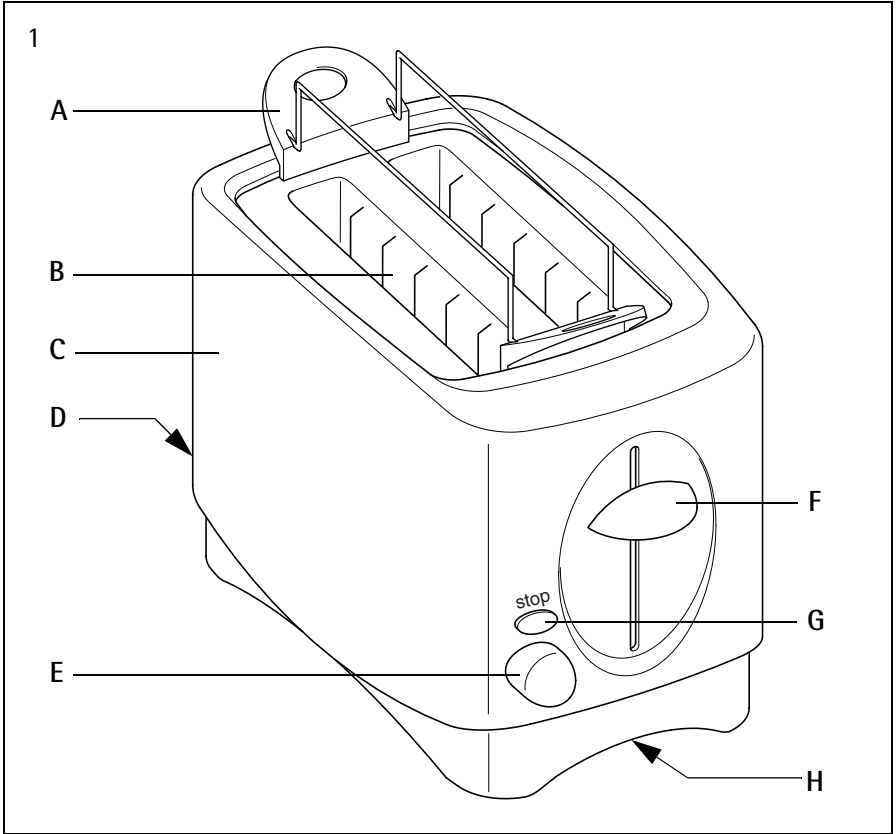
AEG

AT 230

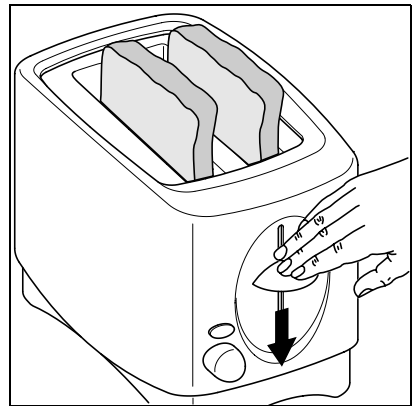
Automatic-Toaster
Automatic Toaster
Grille tous pains automatique
Torradeira automática
Automaattinen leivänpaahdin
Automatický opékač topinek
Automata kenyérsíró
Automatyczny toster

AUS ERFAHRUNG GUT

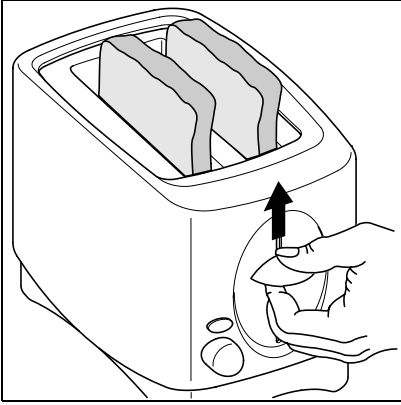
Gebrauchsanweisung
Operating instructions
Mode d'emploi
Instruções de utilização
Käyttöohje
Návod k použití
Használati útmutató
Instrukcja obsługi



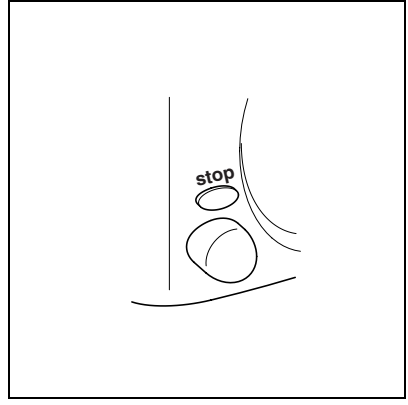
2



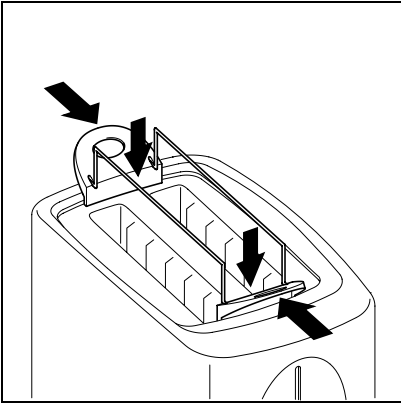
3



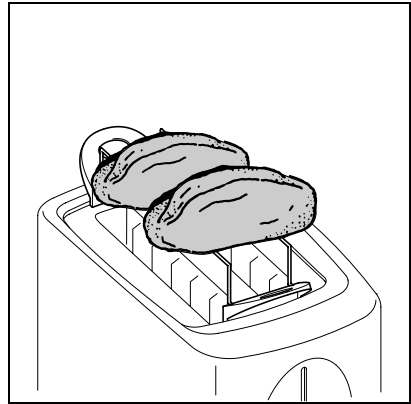
4



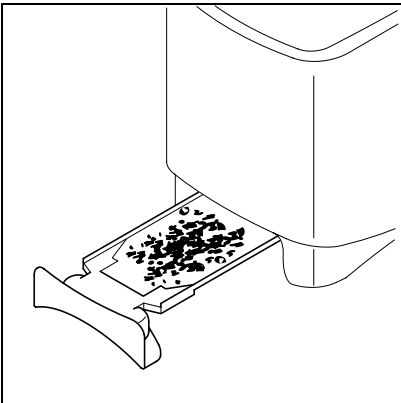
5



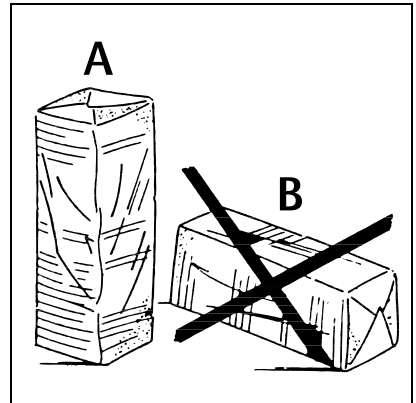
6



7



8



9

Dear Customer,

Please read these operating instructions through carefully.

Above all please observe the safety instructions on the first few pages of these operating instructions! Please keep these operating instructions for later reference. Pass them on to any subsequent owner of the appliance.



Using the warning triangle and/or the key words (**Danger!**, **Caution!**, **Important!**), information that is important for your safety or the correct functioning of the appliance is highlighted. It is essential that this information is observed.



This symbol guides you step by step through the operation of the appliance.



Next to this symbol you will find additional information and practical tips on using the appliance.



Tips and information about the economical and ecological use of the appliance are marked with a cloverleaf.

Appliance Description (Figure 1)

- A Roll rack for crisping up bread rolls
- B Toasting slot
- C Thermally insulated outer housing
- D Crumb drawer
- E Browning control with OFF position
- F Start lever and bread lift*
- G Stop button
- H Rating plate (on the underside of the appliance)



Safety Instructions

The safety standards of AEG electric appliances are in keeping with the recognised rules of technology and the law governing the safety of appliances. Nevertheless, as a manufacturer we consider it our obligation to make you aware of the following safety information.

General Safety

- The operating voltage of the appliance and the mains voltage as well as the type of current must match (see the rating plate on the underside of the appliance).
- Only plug into a correctly installed earthed mains socket.
- Never pull the plug from the socket by means of the mains lead!
- Prior to cleaning or in the event of a malfunction, **unplug the appliance first!** Loosen jammed pieces of toast with a blunt wooden implement (e.g. the handle of a cooking spoon). Ensure that you do not touch the heater elements during this process.
- Do not reach into the toasting slot with your fingers or metal implements – there is a risk of injury and damage to the appliance.
- The outer housing of the toaster is thermally insulated. However the metal parts in the toasting slot and on the base of the appliance will become hot – there is a risk of burns!
- Do not use the appliance if the mains cable is damaged or the housing is visibly damaged.
- The mains cable is of a special type and is only to be replaced by an AEG customer service centre since special tools are required for its replacement.
- **Repairs to electrical equipment may only be performed by qualified service engineers. Improper repairs may lead to serious hazards for the user.**

- In the case of a malfunction, please therefore contact your dealer or AEG customer service direct.
- If the appliance is used for purposes other than those intended or used incorrectly, no liability can be accepted for any damage that may be caused.

Child Safety

- Do not leave the toaster switched on unsupervised.
- **Keep children away from electrical appliances.**

You should take note of the following when using your toaster

- Do not place the appliance on hot surfaces.
- Do not use near naked flames.
- Bread can burn. Do not use the toaster underneath or near inflammable objects (e.g. curtains). The toaster must not be left unattended.
- Do not cover the toasting slot when toasting.
- **Do not immerse the appliance in water!**
- Do not kink the mains lead or bring it into contact with hot parts of the appliance.
- To move the appliance when warm after use, only pick it up by the thermally insulated outer housing.



Disposal

Disposing of the Packaging Material!

Do not simply throw away the packaging material. Please observe the following instructions:

Packaging made from cardboard can be put in the waste paper collection. Deposit polyethylene plastic bags (PE) at a PE collection point for recycling. Padding materials made from foam polystyrene (PS) are CFC-free and can be deposited at the appropriate collection point (recycling depot). Please inquire with your local authority about your local recycling centre.

Disposing of your old appliance!

When you eventually stop using your appliance please take it to the nearest recycling centre or to your dealer who will take it back for a small fee.

Operating Instructions



Prior to Using for the First Time

To avoid the build up of unpleasant odours, the appliance should be placed near an open window and operated a few times at the maximum browning setting **without any bread**. Leave the toaster to cool to room temperature between the heating phases.

Switching On (Figure 3)



Plug the mains plug into the mains socket.



Insert bread for toasting.



Select the browning setting and press down the start lever.



When the required degree of browning has been reached, the toaster switches off automatically; the slices of toast are lifted up ready for removal. By lifting the start lever (**bread lift function**) the toasted bread can be lifted sufficiently such that it is easy to remove (Figure 4).

Adjusting the Browning Setting (Figure 2)

Using the rotary knob you can continuously adjust the browning setting from 1–6 as required. Setting 1 for lightest browning. Setting 6 for darkest browning.

Use a setting between 1 and 3 when you first start toasting. If the toast is not browned to your liking, set the adjuster lower or higher, higher for example when toasting rye or dark bread. When toasting only 1 slice and also when toasting bread that is no longer fresh, use a slightly lower browning setting.

i The electronic toasting time regulator ensures that once a browning setting has been chosen, the results are always the same for the same type of bread.

i Once you have finished toasting we recommend **always** turning the rotary knob for the browning setting to **•**. This prevents the appliance being switched on accidentally.

Stop Button

If you want to interrupt toasting, press the stop button. The appliance switches off.

Once chosen, the browning setting remains unchanged.

Defrosting

When using frozen bread or rolls, set the browning control to ***** and depress the start lever. The toaster defrosts the bread and then automatically switches off.

Once the bread has defrosted, turn the browning control to the browning setting of your preference, as described above, and depress the start lever again.

Roll Rack (Figure 6/7)

☞ Due to the nature of the function of the appliance, the roll rack will become hot during toasting, therefore never touch the metal parts.

☞ First, make sure the toaster is switched off.

Gently squeeze the roll rack by the hand grips, and push it onto the toasting slot until it clicks in place.

☞ Place rolls or other bread for crisping on the rack, turn the browning control to the required browning setting.

☞ Switch on the toaster using the start lever.

☞ When the toaster has switched off, turn the bread. Repeat the process.

i Never place rolls or bread directly on the toasting slot. Do not use the roll rack as a carrying handle.

☞ To remove the roll rack, first allow it to cool down. Gently squeeze the roll rack by the hand grips, and pull upwards to remove.

Cleaning and Care (Figure 8)

☞ Before cleaning, always unplug and leave the toaster to cool down.

i Crumbs dropping from the bread during toasting collect in the crumb drawer.

☞ Pull out to the side and remove the crumbs.

i Do not use caustic or abrasive cleaners to clean the thermally insulated outer housing. Only clean the housing with a dry or slightly moist cloth.

i Liquid must not be applied to the toaster, the toaster must also never be immersed in liquid.

Thermally Insulated Outer Housing

The appliance is enclosed in a thermally insulating outer housing that makes it possible to move the appliance even when it is still warm after use.

Storage of Bread for Toasting (Figure 9)



In order to always obtain evenly browned toast, opened packets of bread should be resealed and stored with the end that has been started downwards.

A = right

B = wrong

Technical Data

Mains voltage:	230 V/50 Hz
Power consumption:	1000 W

- CE** This appliance complies with the following EC directives:
- 73/23/EEG dated 19.2.1973
– Low Voltage Directive
 - 89/336/EEG dated 3.5.1989
(including Directive Amendment 92/31/EEG) – EMC Directive.

Customer Service

The highest quality requirements are placed on our appliances. Should, nevertheless, a malfunction occur on which you can find no information in the operating instructions, please contact your dealer or AEG Customer Service.

AEG Kundendienst in Deutschland

Sollte dieses AEG Gerät wider Erwarten nicht funktionieren, senden Sie es bitte an folgende Adresse:

Beginnt die Postleitzahl Ihres Wohnortes mit 2 - 3 - 4 - 5

**AEG Kleingeräte-Zentralwerkstatt
Firma Elektro Stefan Irsen
Sachtlebenstraße 1, 41541 Dormagen**

Beginnt die Postleitzahl Ihres Wohnortes mit 0 - 1 - 6 - 7 - 8 - 9

**AEG Kleingeräte-Zentralwerkstatt
Firma Trepesch GmbH
Steinstraße 500, 90419 Nürnberg**

In **Deutschland** stehen wir Ihnen für Fragen, Anregungen oder bei Problemen rund um unsere Kleingeräte und Raumpflegegeräte montags bis freitags von 8 bis 18 Uhr zur Verfügung.

AEG Serviceline unter **01805-30 60 80***

Fax: 0911/ 3 23-49 19 30

E-Mail: service.kleingeraete@aeg-hausgeraete.de

*(Deutsche Telekom 0,12 Euro/min.)

AEG Kundendienst in Europa

In diesen Ländern gelten die Garantiebedingungen der örtlichen Vertriebsorganisationen. Diese können dort eingesehen werden.

In these countries our AEG sales organisations own guarantee conditions are applicable. Please obtain further details direct.

Österreich, 4010 Linz, 0732 / 770101 - 30

Belgique/België, 1502 Lembeek, 02/363.04.44

Czech Republic, Hanusova ul., Praha 4, 02/6112 6112

Danmark, 7000 Fredericia, 70 11 74 00

España, Madrid, 1-885-2700

France, 60307 Senlis, 03-44 62 24 24

Great Britain, Service Force 08705 929 929

Hellas, 18346 ΜΟΣΧΑΤΟ, 01/4822646

Island, Reykjavik (Bræðurnir Ormsson hf), 91-3 88 20

Italia, 33080 Porcia (PN), 0434 39 41

Kroatien, 10000 Zagreb, 385 1 6323 333

Luxembourg, 1273 Luxembourg-Hamm, 4 24 31-443

Magyarország, 1142 Budapest, 36-1-252-1773

Niederland, 2400 AC Alphen aan den Rijn, 0172-468 300

Norge, 0516 Oslo, 22 72 58 00

Poland, 02-034 Warszawa, 022 874 33 33

Portugal, 2635-445 Rio de Mouro, (21) 926 75 75

Romania, 713421 Bucaresti, 01-230-8730

Russia, 129090 Moscow, +7 095 956 2917, 937 7893

Slovakia, 81105 Bratislava, 07/4333 9757

Slovenija, Tražaška 132, 1000 Ljubljana, 01 24 25 730

Schweiz/Svizzera, 5506 Mägenwil, 062/889 93 00

Suomi, Porissa, puh. (02) 622 3300

Sverige, 10545 Stockholm, 08-672 53 60

Turkey, Tarlabasi cad no:35 Taksim/Istanbul-0, 262-7249420

Garantiebedingungen

Der Endabnehmer dieses Geräts (Verbraucher) hat bei einem Kauf dieses Geräts von einem Unternehmer (Händler) in Deutschland im Rahmen der Vorschriften über den Verbrauchsgüterkauf gesetzliche Rechte, die durch diese Garantie nicht eingeschränkt werden. Diese Garantie räumt dem Verbraucher also zusätzliche Rechte ein. Dies vorausgeschickt, leisten wir, AEG Hausgeräte GmbH, gegenüber dem Verbraucher **Garantie für dieses Gerät für den Zeitraum von 24 Monaten ab Übergabe** zu den folgenden Bedingungen:

1. Mit dieser Garantie haften wir dafür, dass dieses neu hergestellte Gerät im Zeitpunkt der Übergabe vom Händler an den Verbraucher die in unserer Produktbeschreibung für dieses Gerät aufgeführten Eigenschaften aufweist. Ein Mangel liegt nur dann vor, wenn der Wert oder die Gebrauchstauglichkeit dieses Geräts erheblich gemindert ist. Zeigt sich der Mangel nach Ablauf von sechs (6) Monaten ab dem Übergabezeitpunkt, so hat der Verbraucher nachzuweisen, dass das Gerät bereits im Übergabezeitpunkt mangelhaft war. Nicht unter diese Garantie fallen Schäden oder Mängel aus nicht vorschriftsmäßiger Handhabung sowie Nichtbeachtung der Gebrauchsanweisungen.
2. Dieses Gerät fällt nur dann unter diese Garantie, wenn es in einem der Mitgliedsstaaten der Europäischen Union gekauft wurde, es bei Auftreten des Mangels in Deutschland betrieben wird und Garantieleistungen auch in Deutschland erbracht werden können. Mängel müssen uns inner-

halb von zwei (2) Monaten nach dessen Kenntnis angezeigt werden.

3. Mängel dieses Geräts werden wir innerhalb angemessener Frist nach Mitteilung des Mangels unentgeltlich beseitigen; die zu diesem Zweck erforderlichen Aufwendungen, insbesondere Arbeits- und Materialkosten werden von uns getragen. Über diese Nachbesserung hinausgehende Ansprüche werden durch diese Garantie dem Verbraucher nicht eingeräumt.
4. Im Garantiefall ist das Gerät vom Verbraucher an die für seinen Wohnort zuständige AEG-Zentralwerkstatt zu versenden, wobei das Gerät gut zu verpacken ist und die vollständige Anschrift des Verbrauchers zusammen mit einer kurzen Fehlerbeschreibung in das Paket zu legen ist. Zum Nachweis des Garantie-Anspruchs ist der Sendung der Original-Kaufbeleg (Kassenzettel, Rechnung) beizufügen.
5. Garantieleistungen bewirken weder eine Verlängerung noch einen Neubeginn der Garantiezeit für dieses Gerät; ausgewechselte Teile gehen in unser Eigentum über.
6. Mängelansprüche aus dieser Garantie verjähren in zwei (2) Jahren ab dem Zeitpunkt der Übergabe des Geräts vom Händler an den Verbraucher, der durch den Original-Kaufbeleg (Kassenzettel, Rechnung) zu belegen ist; wenn dieses Gerät gewerblich genutzt wird, beträgt die Verjährungsfrist sechs (6) Monate.

AEG Hausgeräte GmbH
Postfach 1036
D-90327 Nürnberg

<http://www.aeg.hausgeraete.de>

© Copyright by AEG

822 949 207 - 0103