

Haier

Domestic Dishwasher

DW12-EBM 4S

DW12-EBM 3S

DW12-EBM 1S



GB

0120503977

Safety Is Very Important

NOTICE

Carefully read the instructions contained in this manual, as they provide important information which is essential to safe and proper installation, use and maintenance of the appliance.

CE This appliance complies with the following EEC directives:

-73/23/EEC of 19 February 1973 (Low Voltage) and subsequent modifications;

- 89/336/EEC of 3 May 1989 (Electromagnetic Compatibility) and subsequent modifications.

- Carefully dispose of the packing material.

- After removing the packing, check to make sure that the appliance is not damaged. If in doubt, contact a qualified professional.

- The dishwasher must only be used by adults for the washing of household dishes and cooking utensils.

- The appliance is not intended for use by young children or inform persons without supervision.

- Young children should be supervised to ensure that they do not play with the appliance.

- Keep detergents out of the reach of children, who must also be kept away from the dishwasher when it is open.

- This appliance cannot be installed outdoors, not even if the area in which it is installed is covered by a roof; it is also very dangerous to leave it exposed to the rain and elements.

- Do not touch the heating element during or after a wash cycle.

- Do not lean or sit on the door when it is open as this could over turn the dishwasher.

- If the appliance malfunctions, turn off water supply to the appliance and disconnect the plug from the wall socket. Then, consult the section entitled, "Troubleshooting". If you cannot solve the problem, contact a service centre.

- Only specialised personnel are authorised to make repairs.

- Appliances which are no longer being used must be made inoperable by cutting the power supply cord and removing the door lock.

- If the supply cord is damaged, it must be replaced by a special cord or assembly available from the manufacturer or its service agent.

- After installation, the power plug must be accessible.

- Fundamental rules to follow when using the appliance:

* Never touch the dishwasher when barefoot or with wet hands or feet;

* We discourage the use of extension cords and multiple sockets;

* During installation, the power supply cord must not be excessively or dangerously bent or flattened;

* If the appliance is not operating properly or maintenance must be performed, disconnect the appliance from the power supply.

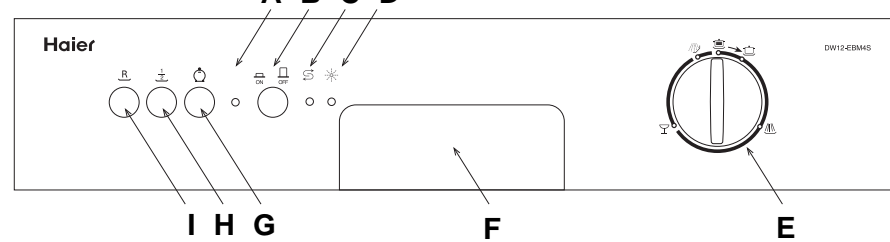
To maintain the EFFICIENCY and SAFETY of this appliance, we recommend:

- call only the Service Centers authorized by the manufacturer.

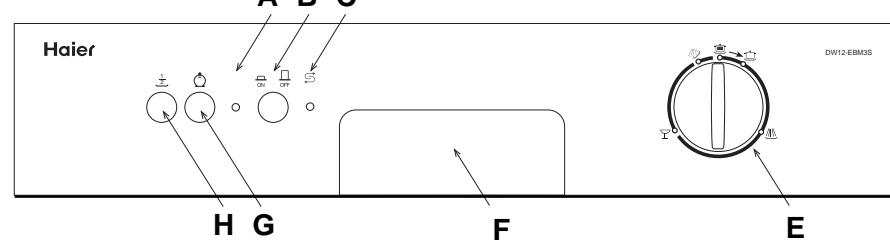
- always use original Spare Parts

Close-up View (Control Panel)

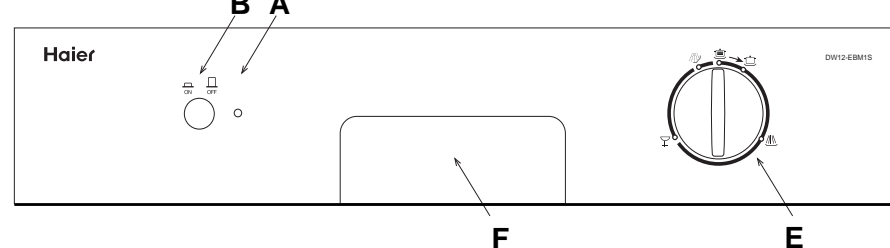
1>. DW12-EBM4S



2>. DW12-EBM3S



3>. DW12-EBM1S

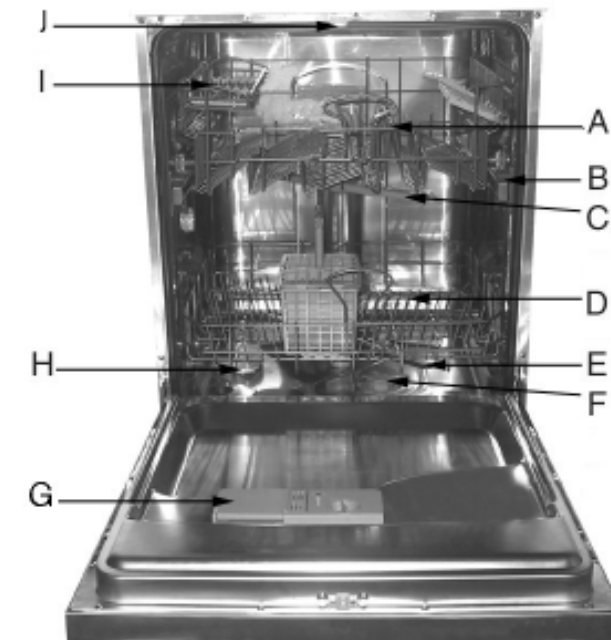


- A ON-OFF Light
- B ON-OFF Button
- C Low Salt Indicator Light
- D Low Rinse Aid Indicator Light
- E Knob For Selecting Cycle
- F Handle For Opening Door
- G "Eco" Button
- H "HALF LOAD" Button
- I "RAPID" Button

.1.

GB

Close-up View (Interior)



- A Upper Rack
- B Rack Height Adjustor
- C Top Sprayer Arm
- D Lower Rack
- E Bottom Sprayer Arm
- F Washing Filter
- G Detergent and Rinse Aid Dispenser
- H Salt Container Cap
- I Knife rack (DW12-EBM4S)
- J Third Sprayer (DW12-EBM4S)

Technical Characteristics

Width	60 cm
Depth	58 cm
Height	82 cm
Capacity	12 standard place settings
Mains water pressure	0.03-0.6 MPa
Power voltage	220-240V~ 50Hz
Total absorber power	2100W

.2.

GB

Salt

Salt

The hardness of the water varies from place to place. If hard water is used in the dishwasher, deposits will form on the dishes and utensils.

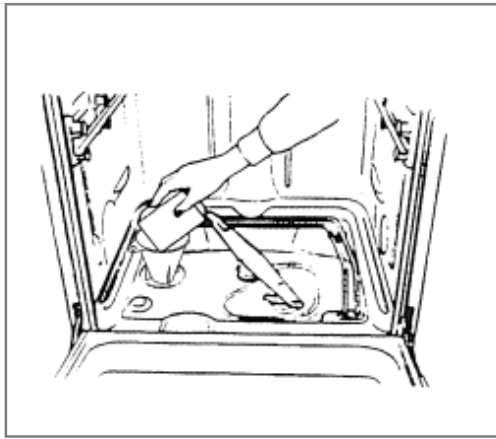
The appliance is equipped with a special softener that uses a salt specifically designed to eliminate lime and minerals from the water.

Loading the Salt into the Softener

Always use salt intended for use with dishwashers.

The salt container is located beneath the lower rack and should be filled as follows:

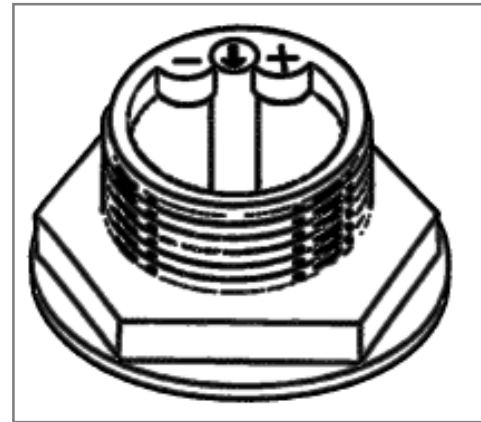
- Remove the lower rack and then unscrew and remove the cap from the salt container;
- If you are filling the container for the first time, fill it with water;
- Place the end of the funnel (supplied) into the hole and introduce about 2 kg of salt. It is normal for a small amount of water to come out of the salt container.
- Carefully screw the cap back on.



Adjusting Salt Consumption

The dishwasher is designed to allow for adjusting the amount of salt consumed based on the hardness of the water used. This is intended to optimise and customise the level of salt consumption so that it remains at a minimum.

To adjust salt consumption, proceed as follows:



- Unscrew the cap from the salt container;
- There is a ring on the container with an arrow on it (see figure).
- If necessary, rotate the ring in the anticlockwise direction from the "-" setting towards the "+" sign, based on the hardness of the water being used.

It is recommended that adjustments be made in accordance with the following scheme:

Water Hardness						
Level	Clarke degrees	°dH	mmol/l	Selector position	Salt consumption (Grams/cycle)	Autonomy (cycles/2kg)
1	0 ÷ 14	0 ÷ 17	0 ÷ 1,7	/	0	/
2	14 ÷ 36	18 ÷ 44	1,8 ÷ 4,4	"-"	20	60
3	36 ÷ 71	45 ÷ 89	4,5 ÷ 8,9	MED	40	40
4	>71	>89	>8,9	"+"	60	25

The salt container must be filled when the "low salt" indicator light appears on the control panel.

To prevent the formation of rust, load the salt just before beginning a wash cycle.

Detergent and Rinse Aid

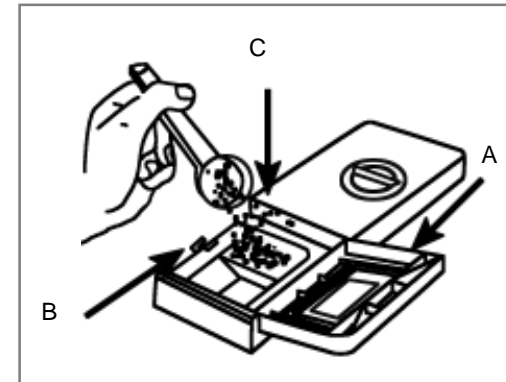
Detergent

Detergent specifically intended for use with dishwashers must be used. The dispenser must be refilled before the start of each wash cycle following the instructions provided in the "Wash Cycle Table". The detergent dispenser is located on the inside panel of the door.

Loading the detergent

To open the "A" cover on the dispenser, press the "B" button. The detergent for the wash cycle should be poured into the "C" compartment.

After the detergent has been placed in the dispenser, close the cover and press down until it clicks in place.



NOTE: To facilitate closing the cover, remove any excess detergent on the edges of the dispenser.

Rinse Aid

This product makes dishes sparkle and helps them to dry without spotting. The dispenser is located on the inside panel of the door and should be filled after every 80 wash cycle (or when the rinse aid indicator light comes on for models with this feature).

Loading the Rinse Aid

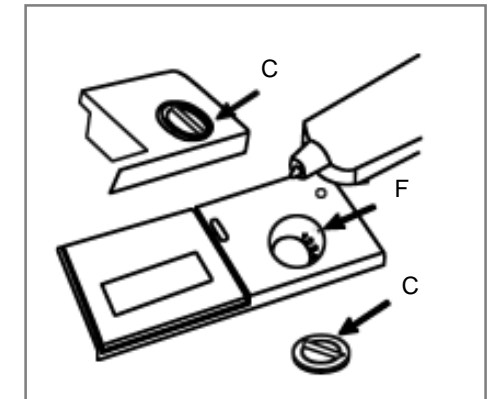
To open the dispenser, turn the "C" cap in an anti-clockwise direction and then pour in the rinse aid, making sure not to overflow. The amount of rinse aid used for each cycle can be regulated by turning the "F" dosage adjuster, located beneath the "C" cap, with a screwdriver. There are 6 different settings; the normal dosage setting is 3.

Important

Proper dosage of the rinse aid improves drying.

If drops of water remain on the dishes or spotting occurs, the dosage adjuster should be turned to a higher setting.

If the dishes have white streaks, turn the dosage adjuster to a lower setting.



Loading the Dishwasher

Before placing the dishes in the dishwasher, remove larger food particles to prevent the filter from becoming clogged, which results in reduced performance.

If the pots and pans have baked-on food that is extremely hard to remove, we recommend that they are soaked before washed. This will eliminate the need for extra wash cycles.

Pull out the rack to load the dishwasher.

How to use the lower rack

We recommend that you place the most difficult to clean items on the bottom rack: pots, pans, lids, serving dishes and bowls, as shown in the figure to the right.

It is preferable to place serving dishes and lids on the sides of the racks in order to avoid blocking the rotation of the top spray arm.

- Pots, serving bowls, etc. must always be placed face down.
- Deep pots should be slanted to allow the water to flow out.
- The lower rack features fold down tine rows (see fig.A) so that larger or more pots and pans can be loaded.(for DW12-EBM4S)
- Silverware should be placed in the silverware basket with the handles at the bottom; if the rack has side baskets, the spoons should be located individually into the appropriate slots. Especially long utensils should be placed in the horizontal position at the front of the upper rack.(figB1,figB2)

- The silverware basket can be doubled (see fig.B1) so that only one section may be used when the silverware load is light. This also makes space for additional pots and pans and it can also be placed in the upper rack.(for DW12-EBM4S)

How to use the upper rack

The upper rack is designed to hold more delicate and lighter dishware, such as glasses, cups and saucers, plates, small bowls and shallow pans (as long as they are not too dirty).

- Position the dishes and cookware so that they do not get moved by the spray of water.

The upper rack can be adjusted for height by using the knobs located on both sides of the rack itself (see fig.C).

Adjust the upper basket to the higher level and you have more space to accommodate those taller pans and trays in the bottom basket.

Shelf

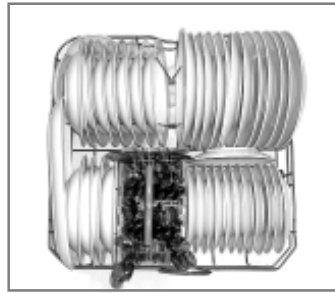
Lean tall glasses and those with long stems against the shelf-not against other items to be washed.

Place glasses, cups and small bowls on the additional cup rack. The additional cup rack can be swivelled in or out as required(see fig.D).

Knife rack (for DW12-EBM4S)

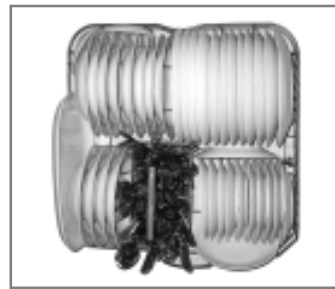
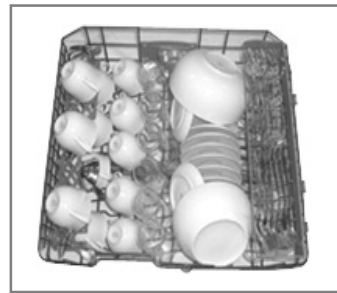
The knife rack clips onto the side of the top basket, giving you the freedom to wash your large sharp knives separately and out of harm's way (see fig.E).

Lower Rack



Load for 12 Standard Settings (for DW12-EBM4S)

Upper Rack



Load for 12 Standard Settings (for DW12-EBM3S/1S)

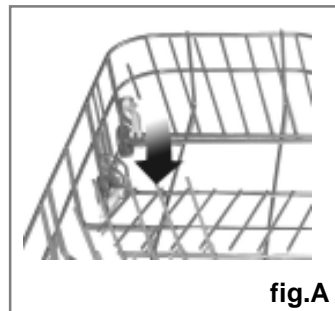
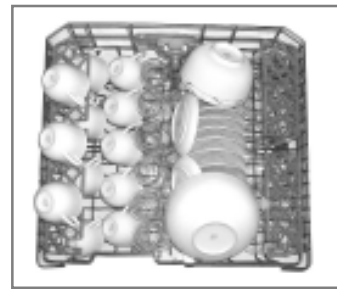


fig.A

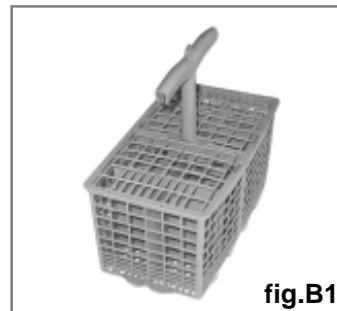


fig.B1

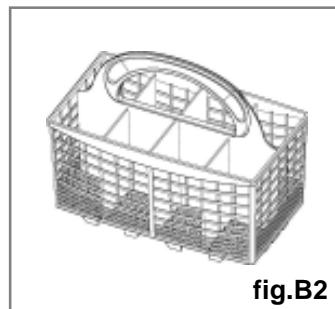


fig.B2

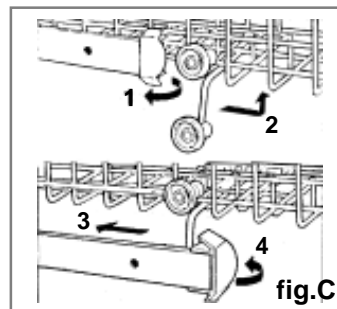


fig.C

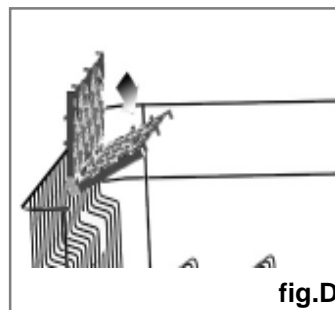


fig.D

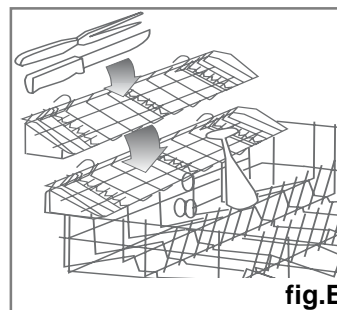


fig.E

Turning on the Appliance

Starting a wash cycle...

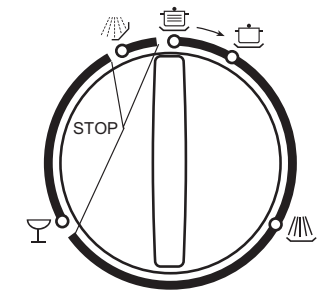
- Make sure that the plug for the appliance is inserted into the wall socket.
- Make sure that the water supply is turned on to full pressure.
- Load the dishwasher (see the section entitled, "Loading the Dishwasher").
- Pour in the detergent (see the section entitled, "Salt, Detergent and Rinse Aid").
- Turn the knob located on the right of the control panel in clockwise direction until the number or symbol for the cycle setting is aligned with the reference mark (see the section entitled, "Wash Cycle Table").
- Press the ON-OFF button, and the ON-OFF light will turn on. At this point, the wash cycle will begin.

If you forget to load some of the dishes...

The wash cycle can be interrupted by pressing the ON-OFF button. You can then load additional dishes and turn the appliance back on. The cycle will start where it left off.

At the end of the wash cycle...

When the knob stops turning and is aligned with a STOP mark (see figure), the cycle has finished. Turn off the appliance using the ON-OFF button, turn off the water supply and open the door of the dishwasher.



Wait a few minutes before unloading the dishwasher to avoid handling the dishes and utensils while they are still hot and more susceptible to breakage. They will also dry better.

Cancelling or modifying a wash cycle setting...

A cycle that is underway can only be modified if it has been running for a short time. Otherwise, the detergent may have already been used, and the appliance may have already drained the wash water. If this is the case, the detergent dispenser must be refilled (see the paragraph entitled, "Loading the Detergent"). Press the ON-OFF button, and the ON-OFF light will turn off. Rotate the knob in clockwise direction to the desired cycle setting (see the section entitled: "Starting a wash cycle..."). Then, turn the dishwasher back on using the ON-OFF button.

Wash Cycle Adjustment Buttons

"ECO" Button

This button (see "Close-up View - Control Panel", letter "G") is used for normal dirty dishes, pots and pans. It is a standard daily cycle.

Half load Button

This button (see "Close-up View - Control Panel", letter "H") makes it possible to wash dishes using only the upper rack if there are not enough dishes for a full load. This will allow you to save on water and electricity.

It can be used before setting any of the wash cycles. Please keep in mind that the amount of detergent should also be cut in half.

Rapid Button

This button (see "Close-up View - Control Panel", letter "I") , when pressed with glassware wash cycle make it possible to run the wash cycle at a lower temperature and eliminates the drying phase.

Energy Saving Tips

- It is important to try and run the dishwasher when it is fully loaded to save on energy. In order to prevent odors from forming and food from caking onto the dishes, you can run the hold cycle.

- Choose the right wash cycle: the choice of cycle depends on the type of dishware, cookware and utensils being washed and how dirty they are.

- Use the right amount of detergent: if you use too much detergent, the result will not be cleaner dishes, but, rather, a greater negative impact on the environment.

-There is no advantage in rinsing dishes, cookware and utensils before placing them in the dishwasher.

How to Keep Your Dishwasher in Shape

After Every Wash

After every wash, turn off the water supply to the appliance and leave the door slightly ajar so that moisture and odors are not trapped inside.

Remove the Plug

Before cleaning or performing maintenance, always remove the plug from the socket.

No Solvents or Abrasive Cleaning Products

To clean the exterior and rubber parts of the dishwasher, do not use solvents or abrasive cleaning products. Use only a cloth and warm soapy water.

To remove spots or stains from the surface of the interior, use a cloth dampened with water and a little white vinegar, or a cleaning product made specifically for dishwasher.

Moving the Appliance

If the appliance must be moved, try to keep it in the vertical position. If absolutely necessary, it can be positioned on its back.

Seals









One of the factors that cause odors to form in the dishwasher is food that remains trapped in the seals. Periodic cleaning with a sponge will prevent this from occurring.

When You Go on Holiday

When you go on holiday, it is recommended that you run a wash cycle with the dishwasher empty and then remove the plug from the socket, turn off the water supply and leave the door of the appliance slightly ajar. This will help the seals last longer and prevent odors from forming within the appliance.








Wash Cycle Table

1>. DW12-EBM 4S

Cycle	Eco Button	Rapid Button	Cycle Selection Information	Description of Cycle	Deter-gent	Rinse Aid
 Intensive Wash			Very dirty dishes, pots and pans (not to be used with delicate items).	Pre-wash with cold water. Rinse with cold water. Extended wash at 60°C. Rinse with hot water. Drying.	30g	★
 Intensive Wash	★		Very dirty dishes, pots and pans. (Not to be used with delicate items)	Pre-wash with cold water. Rinse with cold water. Extended wash at 50°C. Rinse with hot water. Drying.	30g	★
 Normal Wash			Normally dirty dishes, pots and pans. Standard daily cycle.	Rinse with cold water. Extended wash at 60°C. Rinse with hot water. Drying.	25g	★
 Normal Wash (IEC-EN50242)	★		Normally dirty dishes, pots and pans. Standard daily cycle.	Rinse with cold water. Extended wash at 50°C. Rinse with hot water. Drying.	25+5g	★ (5)
 Rinse			For dishes that need to be rinsed and dried only.	Rinse with hot water. Drying.		★
 Glassware	★		Economic, fast cycle to be used for items which are sensitive to higher. Run immediately after dishes are used.	Wash at 50°C . Hot Rinse, Drying.	15g	★
 Glassware	★	★	Economic, fast cycle to be used for items which are sensitive to higher. Run immediately after dishes are used.	Wash at 50°C. Rinse with cold water.	15g	
 Soak			Pre-wash of dishes, pots and pans while waiting for the load to be completed after the subsequent meal.	Short cold wash to prevent food residue from drying on the dishes .		






Wash Cycle Table

2>. DW12-EBM 3S

Cycle	Eco Button	Cycle Selection Information	Description of Cycle	Deter-gent	Rinse Aid
 Intensive Wash		Very dirty dishes, pots and pans (not to be used with delicate items).	Pre-wash with cold water. Rinse with cold water. Extended wash at 60°C. Rinse with hot water. Drying.	30g	★
 Intensive Wash	★	Very dirty dishes, pots and pans. (Not to be used with delicate items)	Pre-wash with cold water. Rinse with cold water. Extended wash at 50°C. Rinse with hot water. Drying.	30g	★
 Normal Wash		Normally dirty dishes, pots and pans. Standard daily cycle.	Rinse with cold water. Extended wash at 60°C. Rinse with hot water. Drying.	25g	★
 Normal Wash (IEC-EN50242)	★	Normally dirty dishes, pots and pans. Standard daily cycle.	Rinse with cold water. Extended wash at 50°C. Rinse with hot water. Drying.	25+5g	★ (5)
 Rinse		For dishes that need to be rinsed and dried only.	Rinse with hot water. Drying.		★
 Glassware	★	Economic, fast cycle to be used for items which are sensitive to higher. Run immediately after dishes are used.	Wash at 50°C . Hot Rinse, Drying.	15g	★
 Soak		Pre-wash of dishes, pots and pans while waiting for the load to be completed after the subsequent meal.	Short cold wash to prevent food residue from drying on the dishes .		

Wash Cycle Table

3>. DW12-EBM1S

Cycle	Cycle Selection Information	Description of Cycle	Deter-gent	Rinse Aid
 Intensive Wash	Very dirty dishes, pots and pans (not to be used with delicate items).	Pre-wash with cold water. Rinse with cold water. Extended wash at 50°C. Rinse with hot water. Drying.	30g	★
 Normal Wash (IEC-EN50242)	Normally dirty dishes, pots and pans. Standard daily cycle.	Rinse with cold water. Extended wash at 50°C. Rinse with hot water. Drying.	25+5g	★ (5)
 Rinse	For dishes that need to be rinsed and dried only.	Rinse with hot water. Drying.		★
 Glassware	Economic, fast cycle to be used for items which are sensitive to higher. Run immediately after dishes are used.	Wash at 50°C . Hot Rinse, Drying.	15g	★
 Soak	Pre-wash of dishes, pots and pans while waiting for the load to be completed after the subsequent meal.	Short cold wash to prevent food residue from drying on the dishes .		

Cleaning and Special Maintenance

Filter Assembly

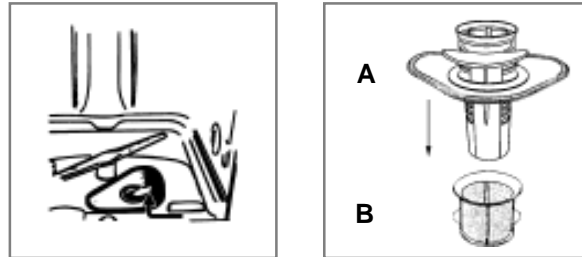
For best performance and results, the filter assembly must be cleaned.

The filter efficiently removes food particles from the wash water, allowing it to be recirculated during the cycle. For this reason, it is a good idea to remove the larger food particles trapped in the filter after each wash cycle by rinsing the "A" semi-circular filter and cup under running water. To remove the filter assembly, pull on the cup handle in an upward direction. The entire filter assembly (made up of the "A" semicircular filter and the "B" fine filter) should be cleaned at least once a month. To clean the filter and the fine filter, use a cleaning brush. Then, reassemble the filter parts as shown in the figures below and inset the entire assembly in the dishwasher, positioning in its seat and pressing downward.

The dishwasher must never be used without the filters. Improper replacement of the filters may reduce performance of the appliance and damage dishes and utensils.

Cleaning the Spray Arms

It may happen that food particles become encrusted on the sprayer arms and block the hole (see "Close up view [interior]" , letters C-E). Check the sprayer arms periodically and clean them when needed.



Cleaning the Water Inlet Filter

Periodically clean the water inlet filter located on the outlet of the water supply tap.

After turning off the water tap, unscrew the end of the water supply hose, remove the filter and clean it carefully under running water. Then, return the filter to its place and tighten the water supply hose back into position.

Troubleshooting

It may occur that the dishwasher does not function properly or at all. Before calling for assistance, let us see what can be done first: Have you forgotten to press one of the buttons or to perform an essential operation?

The Dishwasher Does Not Start

Have you checked whether:

- the plug is pushed into the socket correctly;
- the power is on in the house;
- the door is closed properly;
- the ON-OFF switch is on "ON";
- the water supply is turned on.

The Dishwasher Does Not Load Water

Have you checked whether:

- the water is turned on and the hose is connected properly;
- the water supply to the houses on and has sufficient pressure;
- the water supply hose is crimped or bent;
- the filter for the water supply hose is clogged.

The Dishes Are Not Clean

Have you checked whether:

- the water is turned on and the hose is connected properly;
- the water supply to the house is on and has sufficient pressure;
- the water supply hose is crimped or bent;
- the filter for the water supply hose is clogged.

The Dishwasher Does Not Drain

Have you checked whether:

- the drain hose is crimped or bent.

Lime Deposits or a White Film Form on the Dishes

Have you checked whether:

- the lid to the salt container is closed properly;
- the rinse aid dosage is correct.

If, despite all these checks, the dishwasher still does not function and/or the problem persists, contact the nearest authorised service agent and provide them with the following information:

- the nature of the problem;
- the model type number (Mod...) and the serial number (S/N...), which are indicated on the plate located on the side of the inner part of the door.

Never call on unauthorised technicians and refuse to allow parts to be installed that are not original spare parts.

Installation

Positioning the Appliance

Position the appliance in the desired location. The back should rest against the wall behind it, and the sides, along the adjacent cabinets or wall. The dishwasher is equipped with water supply and drain hoses that can be positioned to the right or the left to ensure correct installation.

Levelling the Appliance

Once the appliance is positioned, adjust the feet (screwing them in or out) to adjust the dishwasher, making it level. The appliance should not be inclined more than 2°. If the appliance is level, it will help ensure proper performance.

Cold Water Connection

Connect the cold water supply hose to a threaded 3/4 (gas) connector and make sure that it is fastened tightly in place (see fig. 1/A). Some models have an "Acqua stop block" water supply pipe (see fig. 1/B) with filter in the threaded inlet.

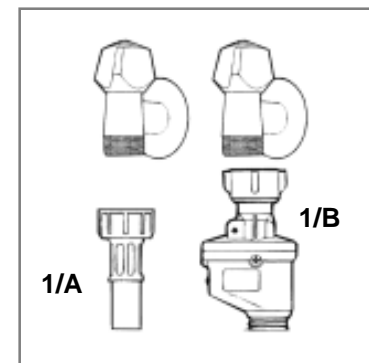
If the water pipes are new or have not been used for an extended period of time, let the water run to make sure that the water is clear and free of impurities. If this precaution is not taken, there is a risk that the water inlet can get blocked and damage the appliance.

Hot Water Connection

The water supply to the appliance can also be connected to the house's hot water line (centralised system, heating system), as long as it does not exceed a temperature of 60°C.

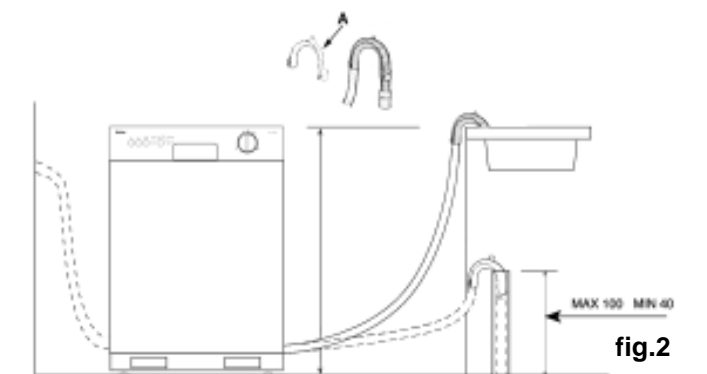
In this case, the wash cycle time will be shortened by about 15 minutes and the wash efficiency slightly reduced.

The connection must be made to the hot water line following the same procedures as those for the connection to the cold water line.



Drain Hose Connection

Insert the drain hose into a drain pipe with a minimum diameter of 4cm, or let it run into the sink, making sure to avoid bending or crimping it. Use the special plastic support that comes with the appliance (see fig.2). The free end of the hose must be at a height between 40 and 100 cm and must not be immersed in water.



Attention:

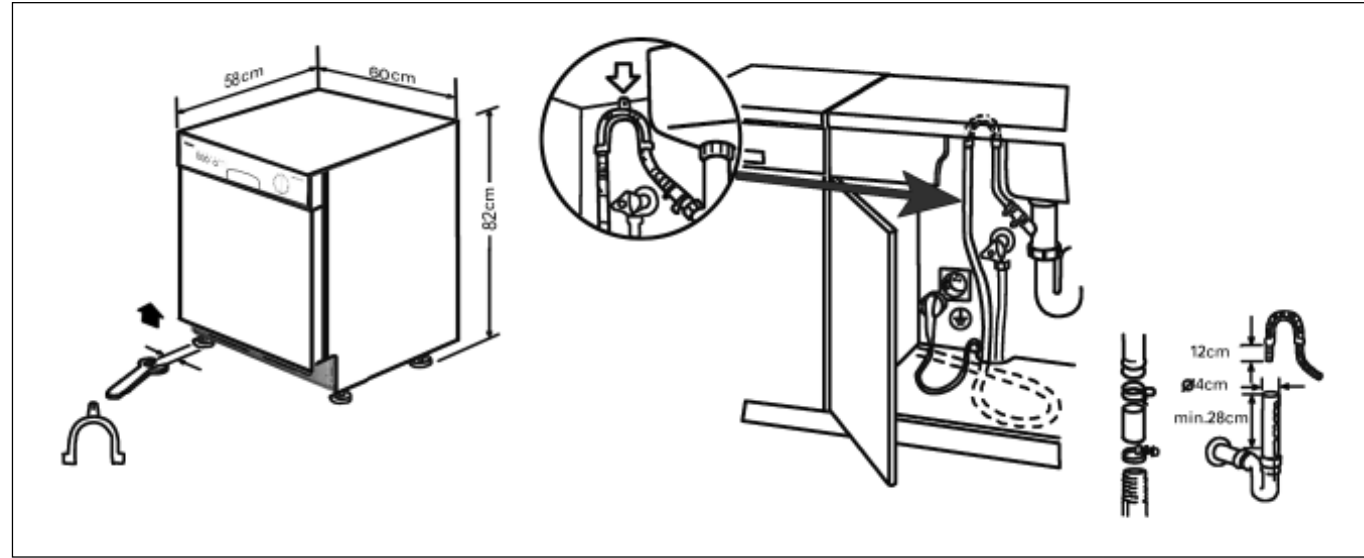
The special plastic hose support must be solidly fastened to the wall to prevent the drain hose from moving and allowing water to spill outside the drain.

Electrical Connection

After making sure that the voltage and frequency values for the current in the home correspond to those on the rating plate (located on the stainless steel inner door of the appliance) and that the electrical system is sized for the maximum voltage on the rating plate, insert the plug into an electrical socket which is earthed properly (the earthing of the appliance is a safety requirement mandated by law).

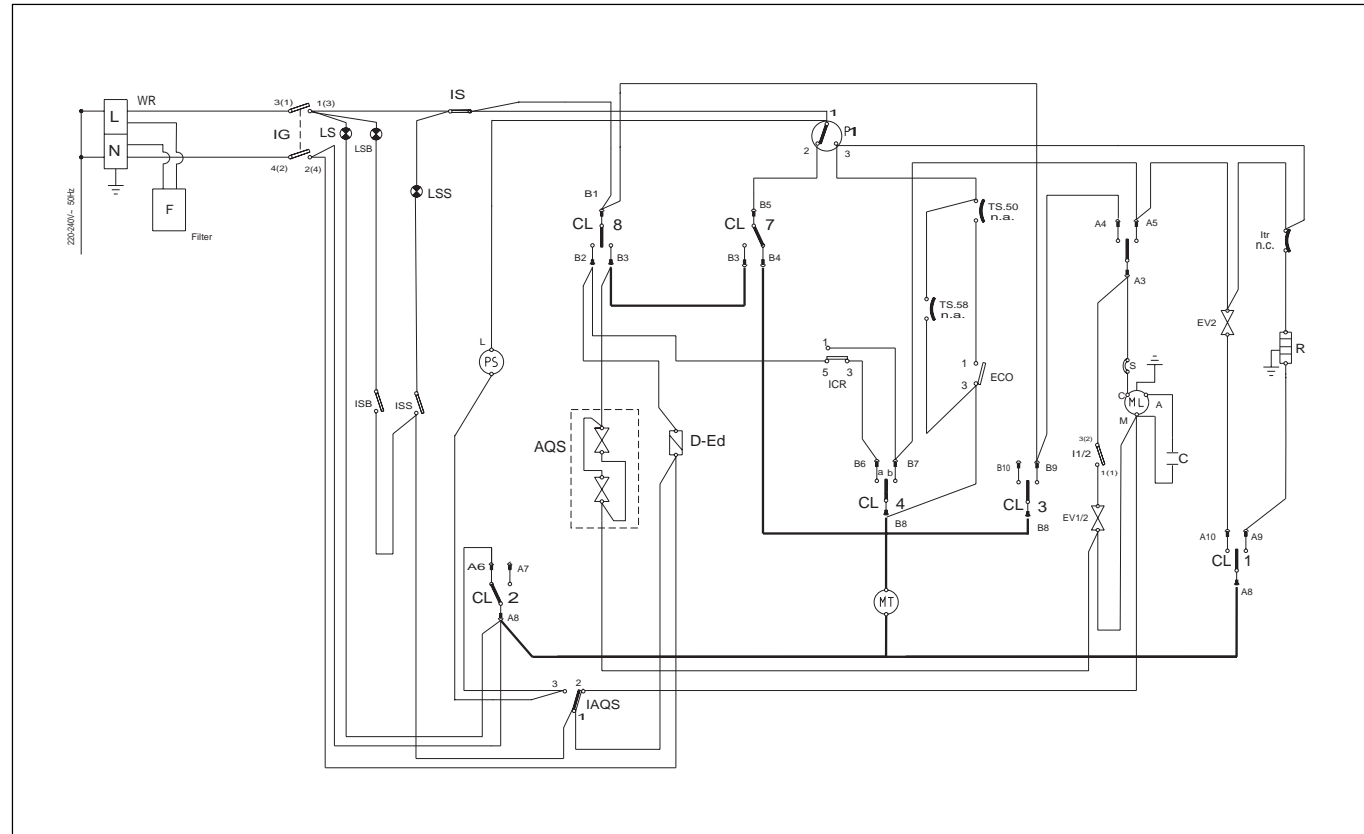
If the electrical socket to which the appliance must be connected is not appropriate for the plug, replace the plug, rather than using adaptors or the like as they could cause overheating and burns.

Installation



Diagram

1>. DW12-EBM 4S

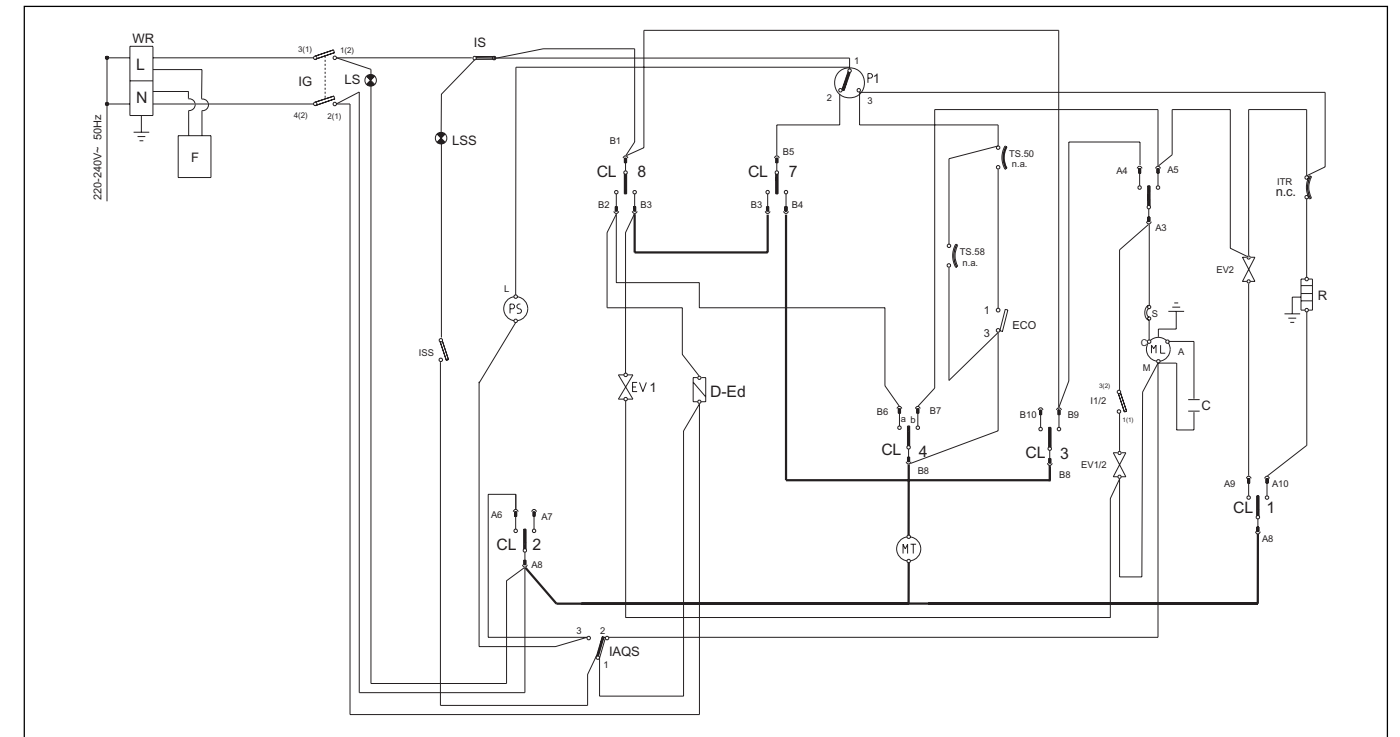


.13.

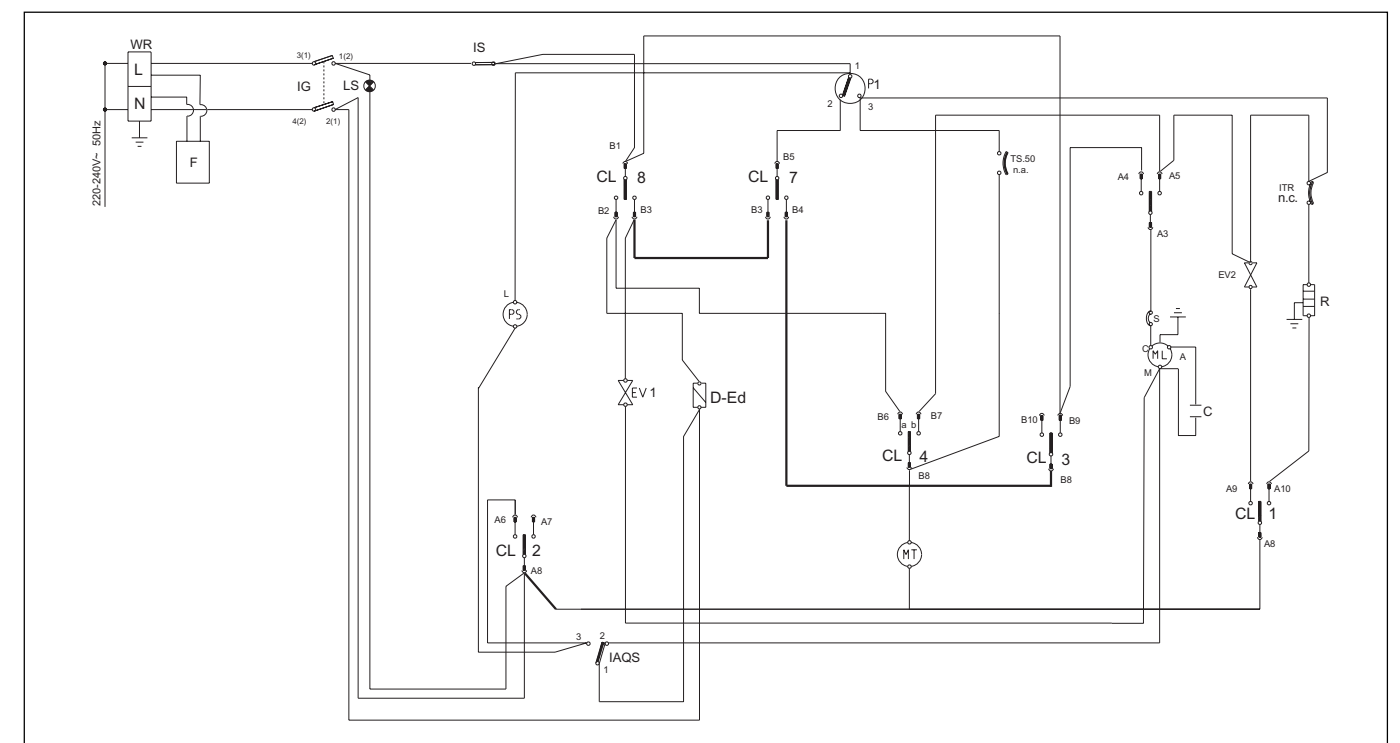
GB

Diagram

2>. DW12-EBM 3S



3>. DW12-EBM1S



WR: Wiring box IG: Power switch IS: Door switch P1: Water level switch LS: Power indicator
 LSS: Salt missing switch LSB: Rinsing agent missing indicator ISS: Softener switch ISB: Dispenser switch
 PS: Drain pump EV1: Inlet valve D/ED: Dispenser ICR: Rapid wash switch ECO: Economic wash switch
 I1/2: Half wash switch TS.58: 58°C temperature controller TS.50: 50°C temperature controller
 ITR: Temperature limiter R: Heater EV2: Softener valve EV1/2: Half wash valve ML: Washing motor
 MT: Timer motor IAQS: Overflow switch AQS: Acquastop block

.14.

GB