

**BLOOMFIELD INDUSTRIES**

2 ERIK CIRCLE, P. O. Box 280  
Verdi, NV 89439

Customer Service (775) 345-0444 Ext.502  
fax: (775) 345-0569  
[www.wellsbloomfield.com](http://www.wellsbloomfield.com)

**OWNERS MANUAL**  
**For**

# Koffee-King<sup>TM</sup>

**MODULAR**  
**BREWING SYSTEMS**

**MODELS**

| POUR OVER<br>UNITS | AUTOMATIC<br>UNITS | AUTOMATIC<br>UNITS<br>WITH FAUCET |
|--------------------|--------------------|-----------------------------------|
| 8542               | 8541               | 8540                              |
| 8543               | 8573               | 8572                              |
| 8571               |                    | 8574                              |

**Includes:**

**Installation**  
**Use & Care**  
**Servicing Instructions**



*Model 8573 Brewers  
with optional  
8900-Series Glass Decanters*

## WARRANTY STATEMENT

All electrical equipment manufactured by BLOOMFIELD INDUSTRIES is warranted against defects in materials and workmanship for a period of one year from the date of original installation or eighteen (18) months from the date of shipment from our factory, whichever comes first, and is for the benefit of the original purchaser, except that:

- a. airpots carry a 30 day parts warranty only.
- b. dispensers; i.e., tea and coffee carry a 90 days parts warranty only, excludes decanters.

THE FOREGOING OBLIGATION IS EXPRESSLY GIVEN IN LIEU OF ANY OTHER WARRANTIES, EXPRESSED OR IMPLIED, INCLUDING ANY IMPLIED WARRANTY OF MERCHANTABILITY OR FITNESS FOR A PARTICULAR PURPOSE, WHICH ARE HEREBY EXCLUDED.

BLOOMFIELD INDUSTRIES DIVISION / SPECIALTY EQUIPMENT MANUFACTURING CORPORATION SHALL NOT BE LIABLE FOR INDIRECT, INCIDENTAL OR CONSEQUENTIAL DAMAGES OR LOSSES FROM ANY CAUSE WHATSOEVER.

This warranty is void if it is determined that upon inspection by an Authorized Service Agency that the equipment has been modified, misused, misapplied, improperly installed, or damaged in transit or by fire, flood or act of God.

It also does not apply if the serial nameplate has been removed or unauthorized service personnel perform service. The prices charged by Bloomfield Industries for its products are based upon the limitations in this warranty. Seller's obligation under this warranty is limited to the repair of defects without charge by a Bloomfield Industries Authorized Service Agency or one of its sub-agencies. This service will be provided on customer's premises for non-portable models. Portable models (a device with a cord and plug) must be taken or shipped to the closest Authorized Service Agency, transportation charges prepaid, for services.

In addition to restrictions contained in this warranty, specific limitations are shown below (Additional Warranty Exclusions). Bloomfield Industries Authorized Service Agencies are located in principal cities.

This warranty is valid in the United States and void elsewhere. Please consult your classified telephone directory or your food service equipment dealer; or, for information and other details concerning warranty, write to:

**Service Parts Department  
Bloomfield Industries  
P.O. Box 280  
Verdi, NV 89439**

**Phone: (775) 345-0444 Fax: (775) 345-0569**

## SERVICE POLICY AND PROCEDURE GUIDE ADDITIONAL WARRANTY EXCLUSIONS

1. Resetting of safety thermostats, circuit breakers, overload protectors, or fuse replacements unless warranted conditions are the cause.
2. All problems due to operation at voltages other than specified on equipment nameplates; conversion to correct voltage must be the customer's responsibility.
3. All problems due to electrical connections not made in accordance with electrical code requirements and wiring diagrams supplied with the equipment.
4. Replacement of items subject to normal wear, to include such items as knobs and light bulbs. Normal maintenance functions including adjustment of thermostats, microswitches, and replacement of fuses and indicating lights are not covered under warranty.
5. All problems due to inadequate water supply, such as fluctuating, or high or low water pressure.
6. All problems due to mineral/calcium deposits, or contamination from chlorides/chlorines. De-liming is considered a preventative maintenance function and is not covered by warranty.
7. Full use, care and maintenance instructions are supplied with each machine. Those miscellaneous adjustments noted are customer responsibility. Proper attention will prolong the life of the machine.
8. Travel mileage is limited to sixty (60) miles from an authorized Service Agency or one of its sub-agencies.
9. All labor shall be performed during normal working hours. Overtime premium shall be charged to the customer.
10. All genuine Bloomfield replacement parts are warranted for ninety (90) days from date of purchase on non-warranted equipment. **Any use of non-genuine Bloomfield parts completely voids any warranty.**
11. Installation, labor and job check-out are not considered warranty.
12. Charges incurred by delays, waiting time or operating restrictions that hinder the service technicians ability to perform services are not covered by warranty. This includes institutional and correctional facilities.

## SHIPPING DAMAGE CLAIMS PROCEDURE

**NOTE:** For your protection, please note that equipment in this shipment was carefully inspected and packaged by skilled personnel before leaving the factory. Upon acceptance of this shipment, the transportation company assumes full responsibility for its safe delivery.

### IF SHIPMENT ARRIVES DAMAGED:

1. **VISIBLE LOSS OR DAMAGE:** Be certain that any visible loss or damage is noted on the freight bill or express receipt, and that the note of loss or damage is signed by the delivery person.
2. **FILE CLAIM FOR DAMAGE IMMEDIATELY:** Regardless of the extent of the damage.

3. **CONCEALED LOSS OR DAMAGE:** if damage is unnoticed until the merchandise is unpacked, notify the transportation company or carrier immediately, and file "CONCEALED DAMAGE" claim with them. This must be done within fifteen (15) days from the date the delivery was made to you. Be sure to retain the container for inspection.

Bloomfield Industries cannot assume liability for damage or loss incurred in transit. We will, however, at your request, supply you with the necessary documents to support your claim.

## TABLE OF CONTENTS

|                                   |    |  |
|-----------------------------------|----|--|
| WARRANTY STATEMENT                | xi | Thank You for purchasing this Bloomfield Industries appliance.   |
| SPECIFICATIONS                    | 1  |  |
| FEATURES & OPERATING CONTROLS     | 2  |  |
| PRECAUTIONS & GENERAL INFORMATION | 3  | Proper installation, professional operation and consistent maintenance of this appliance will ensure that it gives you the very best performance and a long, economical service life.            |
| AGENCY APPROVAL INFORMATION       | 3  |  |
| INSTALLATION INSTRUCTIONS         | 4  |  |
| OPERATION                         | 6  |  |
| BREWING COFFEE                    | 8  |  |
| CLEANING INSTRUCTIONS             | 9  |  |
| TROUBLESHOOTING SUGGESTIONS       | 10 | This manual contains the information needed to properly install this appliance, and to use, care for and maintain or repair the appliance in a manner which will ensure its optimum performance. |
| SERVICING INSTRUCTIONS            | 11 |  |
| Delimiting Instructions           | 16 |  |
| EXPLODED VIEWS & PARTS LISTS      | 18 |  |
| WIRING DIAGRAMS                   | 22 |  |

### SPECIFICATIONS

| MODEL | TYPE                             | WARMERS | FAUCET | VOLTS                       | AMPS  | WATTS           | POWER CORD   |
|-------|----------------------------------|---------|--------|-----------------------------|-------|-----------------|--------------|
| 8540  | In-Line, Automatic, Plumbed-In   | 2       | YES    | 120VAC 1 $\emptyset$        | 14.1A | 1700W<br>1400W* | NEMA 5-15P   |
| 8541  | In-Line, Automatic, Plumbed-In   | 2       | NO     | 120VAC 1 $\emptyset$        | 14.1A | 1700W<br>1400W* | NEMA 5-15P   |
| 8542  | In-Line, Pour-Over               | 1       | NO     | 120VAC 1 $\emptyset$        | 13.3A | 1600W<br>1300W* | NEMA 5-15P   |
| 8543  | In-Lin, Pour-Over                | 2       | NO     | 120VAC 1 $\emptyset$        | 14.1A | 1700W<br>1400W* | NEMA 5-15P   |
| 8571  | 3-Station, Pour-Over             | 3       | NO     | 120VAC 1 $\emptyset$        | 15.0A | 1800W<br>1500W* | NEMA 5-15P   |
| 8572  | 3-Station, Automatic, Plumbed-In | 3       | YES    | 120VAC 1 $\emptyset$        | 15.0A | 1800W<br>1500W* | NEMA 5-15P   |
| 8573  | 3-Station, Automatic, Plumbed-In | 3       | NO     | 120VAC 1 $\emptyset$        | 15.0A | 1800W<br>1500W* | NEMA 5-15P   |
| 8574  | 3-Station, Automatic, Plumbed-In | 3       | YES    | 115/230VAC<br>1 $\emptyset$ | 17.0A | 3700W           | not provided |

\* Canadian brewers are 1500W maximum.

**NOTE:** Beginning in late 2001, a new solenoid was introduced into this family of brewers. Early units were fitted with a metal solenoid, which may be rebuilt if required. Later units are fitted with a sealed nylon solenoid which is replaced as a unit. In this manual, units built prior to the changeover are designated as "old-style". Units built after the changeover are designated as "new-style".

# FEATURES AND OPERATING CONTROLS

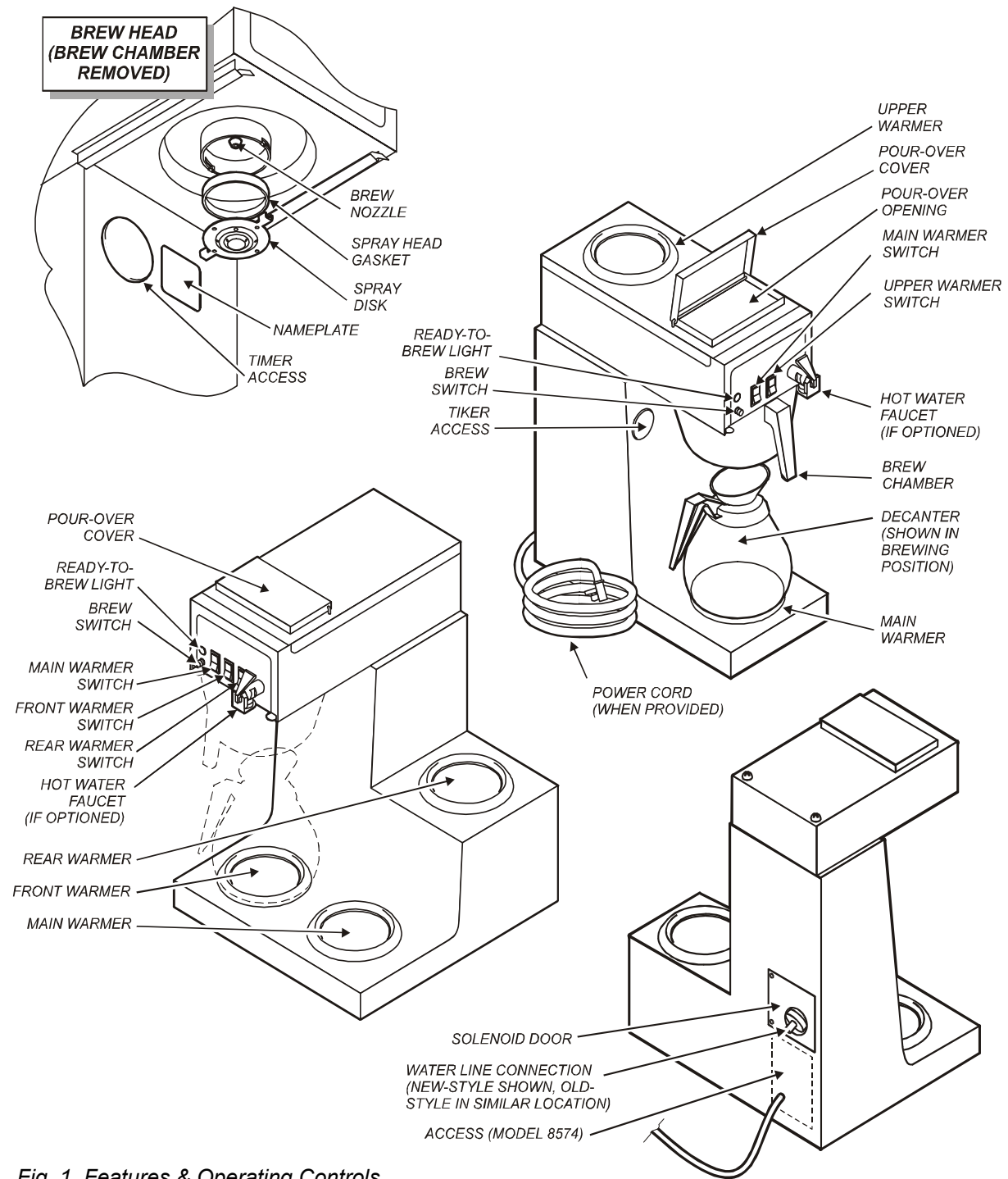


Fig. 1 Features & Operating Controls

## PRECAUTIONS AND GENERAL INFORMATION



### **WARNING:** Electric Shock Hazard

All servicing requiring access to non-insulated components must be performed by qualified service personnel. Do not open any access panels which require the use of tools. Failure to heed this warning can result in electrical shock.



### **WARNING:** Injury Hazard

All installation procedures must be performed by qualified personnel with full knowledge of all applicable electrical and plumbing codes. Failure could result in property damage and personal injury.



### **WARNING Electric Shock Hazard**

Brewer must be properly grounded to prevent possible shock hazard. DO NOT assume a plumbing line will provide such a ground. Electrical shock will cause death or serious injury.



### **WARNING:** Burn Hazard

This appliance dispenses very hot liquid. Serious bodily injury from scalding can occur from contact with dispensed liquids.

This appliance is intended for commercial use only.

This appliance is intended for use to brew beverage products for human consumption. No other use is recommended or authorized by the manufacturer or its agents.

This appliance is intended for use in commercial establishments, where all operators are familiar with the appliance use, limitations and associated hazards. Operating instructions and warnings must be read and understood by all operators and users.

Except as noted, this piece of equipment is made in the USA and has American sizes on hardware. All metric conversions are approximate and can vary in size.

The following trouble shooting, component views and parts lists are included for general reference, and are intended for use by qualified service personnel.

This manual should be considered a permanent part of this appliance. The manual must remain with the appliance if it is sold or moved to another location.



### **CAUTION: Equipment Electrical Damage**

DO NOT plug in or energize this appliance until all *Installation Instructions* are read and followed. Damage to the Brewer will occur if these instructions are not followed.



### **CAUTION: Burn Hazard**

Exposed surfaces of the appliance, brew chamber and decanter may be HOT to the touch, and can cause serious burns.

## AGENCY APPROVAL INFORMATION

These brewer are  listed under UL file E9253, and

 listed under LR21315.

This brewer meets  Standard 4 only when installed, operated and maintained in accordance with the enclosed instructions.



## INSTALLATION INSTRUCTIONS

### READ THIS CAREFULLY BEFORE STARTING THE INSTALLATION

#### IMPORTANT:

To enable the installer to make a quality installation and to minimize installation time, the following suggestions and tests should be done before the actual unit installation is started:



#### CAUTION: Equipment Electrical Damage

DO NOT plug in or energize this appliance until all Installation Instructions are read and followed. Damage to the Brewer will occur if these instructions are not followed.



#### CAUTION: Unstable Equipment Hazard

It is very important for safety and for proper operation that the brewer is level and stable when standing in its final operating position. Provided adjustable, non-skid legs must be installed at each corner of the unit. Failure to do so will result in movement of the brewer which can cause personal injury and/or damage to brewer.

**NOTE:** Water supply inlet line must meet certain minimum criteria to insure successful operation of the brewer. Bloomfield recommends 1/4" copper tubing for installation of less than 25 feet and 3/8" for more than 25 feet from a 1/2" water supply line.

REFER TO EXPLODED VIEWS PAGES 18 thru 22 FOR COMPONENT NAMES/NUMBERS

Unpack the unit. Inspect all components for completeness and condition. Ensure that all packing materials have been removed from the unit.

Verify that the Spray Head Gasket (#33) and Spray Disk (#34) are properly installed.

#### LEVELING THE UNIT

Verify that an adjustable leg is installed at each corner of the brewer.

Set Brewer in its operating location. Level the Brewer. A spirit level should be placed on the top of the unit, at the edge, as a guide when making level adjustments.

Level the unit from left to right and front to back by turning the adjustable feet. Be sure all four feet touch the counter to prevent tipping.

#### PLUMBER'S INSTALLATION INSTRUCTIONS

Brewer should be connected to a **POTABLE WATER, COLD WATER** line. Flush water line before connecting to Brewer.

DO NOT use a saddle valve with a self-piercing tap for the water line connection. Such a tap can become restricted by waterline debris. For systems that must use a saddle tap, shut off the main water supply and drill a 3/16" (minimum) tap for the saddle connection, in order to insure an ample water supply. Remember to flush the line prior to installing the saddle.

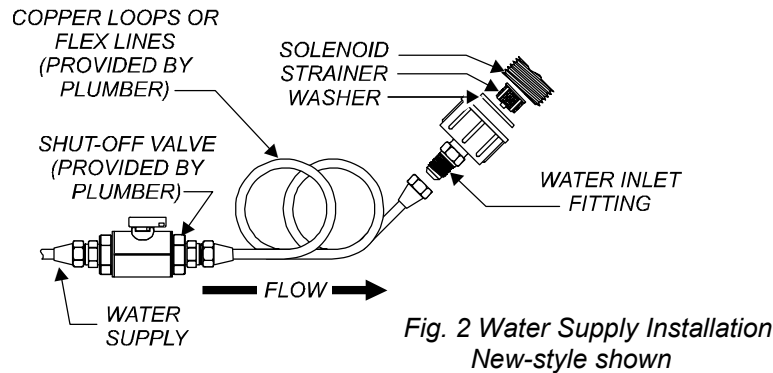
The brewer must be installed on a water line with average pressure between 20 PSI and 90 PSI. If your water pressure exceeds 90 PSI at anytime, a pressure regulator must be installed in the water supply line to limit the pressure to not more than 90 PSI in order to avoid damage to lines and solenoid.

A water shut-off valve should be installed on the incoming water line in a convenient location (Use a low restriction type valve, such as a 1/4-turn ball valve, to avoid loss of water flow thru the valve.

The provided water line strainer must be installed in the supply line, between the shutoff valve and inlet fitting. Note FLOW arrow marking on strainer body.

## INSTALLATION INSTRUCTIONS (continued)

NSF requires that the brewer be able to be moved for cleaning underneath. A flex line or loops of copper tubing will satisfy this requirement. See Figure 2 below.



In some areas, local codes require a backflow preventer (check valve) to be installed on the inlet water line. If a backflow preventer is used, you must install a **water hammer arrester** in the incoming line, between the backflow preventer and the brewer inlet, as far away from the brewer as space will allow. This will relieve the excessive back pressures that can cause faucet leaks and solenoid malfunctions.

### ELECTRICIAN'S INSTALLATION INSTRUCTIONS

REFER TO ELECTRICAL SPECIFICATIONS - Page 1  
Check the nameplate to determine correct electrical service required for the Brewer to be installed.

**IMPORTANT:** Before connecting to electricity, make sure automatic brewers are connected to the water supply.

**All models (except 8574)** are equipped with a cord and plug. They require a 115 - 125 volt 20 amp circuit (50/60 Hz, 2 wire plus ground, with NEMA 5-15R or 5-20R Receptacle).

**IMPORTANT:** The ground prong of the plug is part of a system designed to protect you from electrical shock in the event of internal damage. Never cut off the ground prong nor twist a blade to fit an existing receptacle. Contact a licensed electrician to install the proper circuit and receptacle.

**Model 8574** must be wired by an electrician, and requires a 115/230V 20A circuit (50/60 Hz, 2 hot legs / 1 neutral leg, plus ground). Remove rear panel to gain access to terminal block. Green terminal must be connected to a suitable building ground. Circuit must be capable of 3800 Watts. See figure 3 at right.

**IMPORTANT:** Wiring must be installed in approved solid or flexible conduit, and must be secured to the brewer with a strain relief (to be provided by the installer).

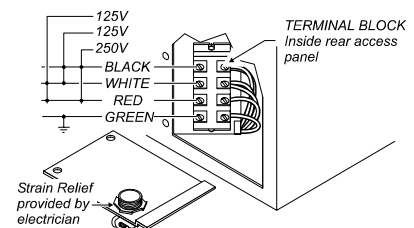
**NOTE:** This equipment must be installed to comply with applicable federal, state and local plumbing codes and ordinances.

**WARNING** **ELECTRIC SHOCK HAZARD:**

Brewer must be properly grounded to prevent possible shock hazard. **DO NOT** assume a plumbing line will provide such a ground. Electrical shock will cause death or serious injury.

**IMPORTANT:** Do not connect brewer to electrical power until the tank is filled with water. Pour water into the pour-over opening until water flows from the brew head.

**IMPORTANT:** Supply power must match nameplate for voltage and phase. Connecting to the wrong voltage will damage the brewer or result in decreased performance. Such damage is not covered by warranty.



*Fig. 3 115/240 Volt Terminal Block*

## OPERATION

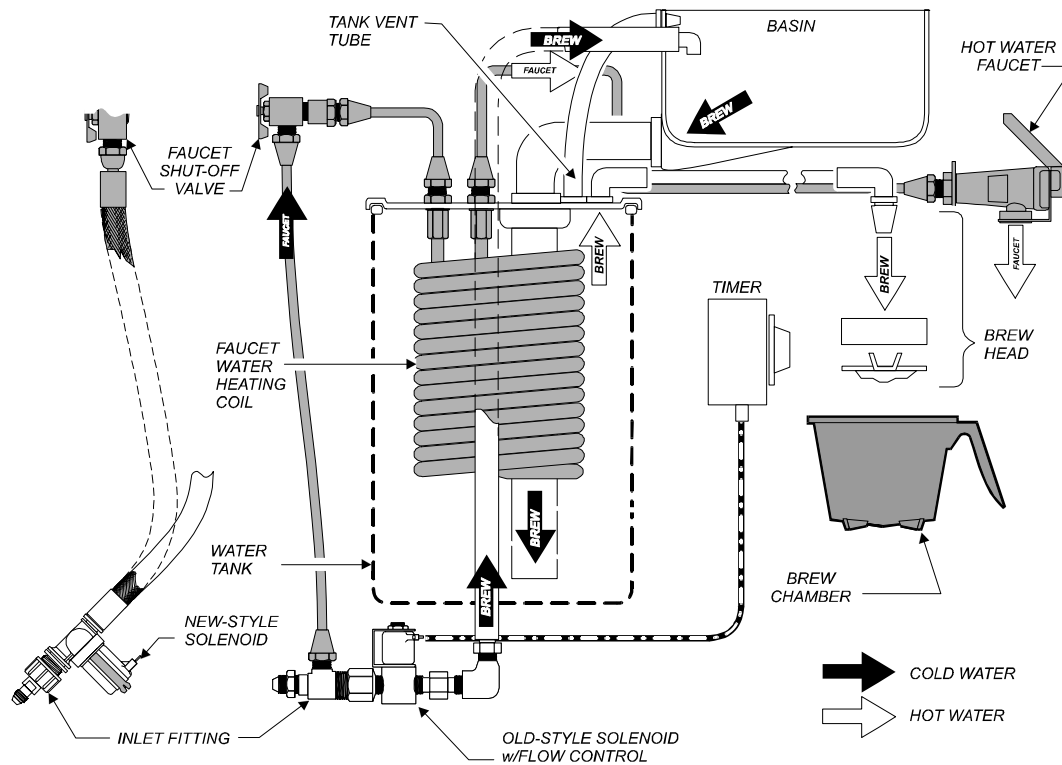


Fig. 4 Brewer Operation Diagram

### IMPORTANT:

Tank must be full of water before connecting brewer to electrical power. Heating elements will be damaged if allowed to operate without being fully submerged in water. Damage caused by operating the brewer without water in the tank is **NOT COVERED BY WARRANTY**.



### A. START-UP

For initial start-up, or if the brewer has not been used for an extended period of time:

- ◆ Be sure spray disk and brew gasket are properly installed in the brew head.
- ◆ Be sure the water supply is properly connected and the water supply valve is turned ON.
- ◆ Be sure the WATER TANK IS FILLED

*BEFORE* plugging the brewer into a receptacle, or otherwise connecting brewer to electrical power **THE WATER TANK MUST BE FILLED**. Place an empty decanter under the brew head. Lift the pour-over cover then pour warm tap water into the pour-over opening until water flows from the brew head. When water stops dripping from the brew head, empty the container.

Once the tank is full of water, connect the brewer to electrical power. The heating elements will begin heating the water in the tank. When the water has reached the proper temperature, the "HEAT" light will go out.



## WATER HEATER

Water temperature is sensed by a thermobulb inserted into the water tank. This temperature signal is fed to the thermostat, which controls line power to the heating element.

The setpoint temperature is adjustable at the thermostat.

The element is protected from over-temperature by a hi-limit thermostat.

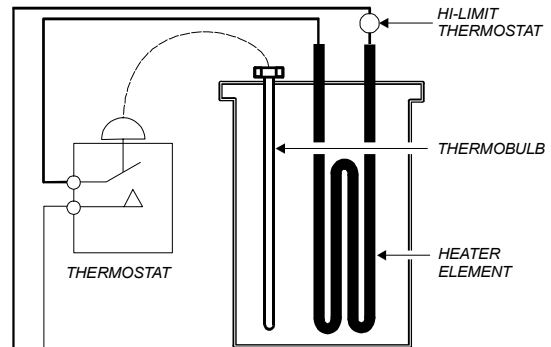


Fig. 5 Heat Control Diagram

## WATER FLOW

### POUR-OVER FEATURE

Pouring any amount of cold water into the pour-over opening and into the basin pan forces an identical amount of hot water out of the tank and through the spray head into the brew chamber.

### AUTOMATIC OPERATION

Pressing BREW button energizes the solenoid valve, allowing water from an external water supply to flow into the basin pan and then into the hot water tank. This forces an identical amount of hot water out of the tank and through the spray head into the brew chamber.

The solenoid uses a flow control device so that flow is consistent between 20 p.s.i. and 90 p.s.i.

Length of time the solenoid is open is controlled by the timer.

### HOT WATER FAUCET

The faucet water coil is submerged in the hot water tank and draws heat from the brew water. Water going to the water coil is not controlled by the solenoid valve.

The faucet is at supply water pressure any time the faucet shut-off valve is OPEN.

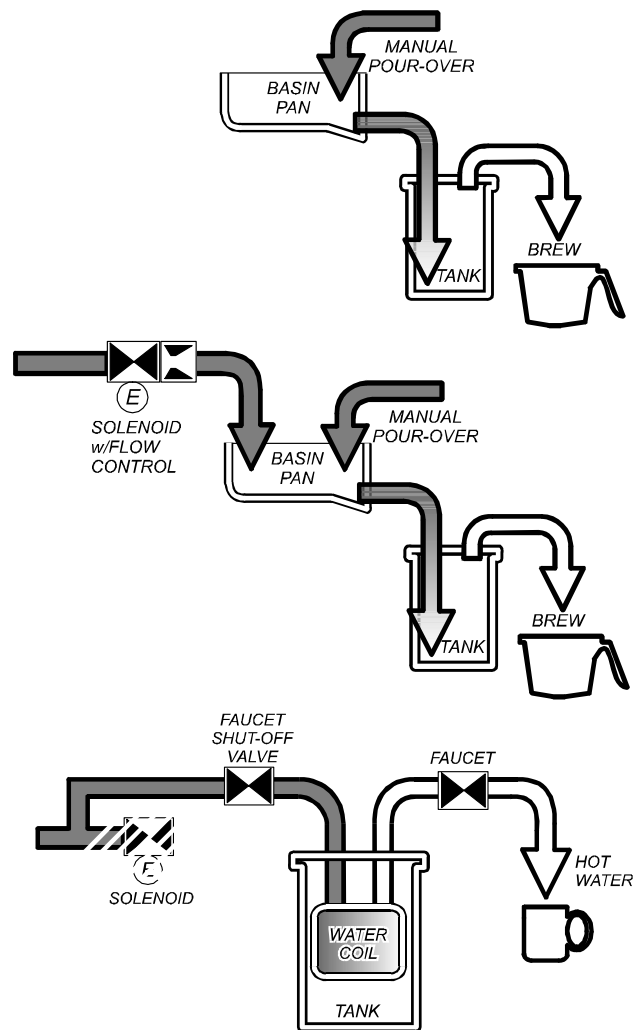


Fig. 6 Water Flow Diagram

## BREWING COFFEE



### CAUTION: Burn Hazard

Exposed surfaces of the brewer, brew chamber and decanter may be HOT to the touch, and can cause serious burns.



### CAUTION: Burn Hazard

To avoid splashing or overflowing hot liquids, ALWAYS place an empty decanter under the brew chamber before starting the brew cycle. Failure to comply can cause serious burns.



### CAUTION: Burn Hazard

After a brew cycle, brew chamber contents are HOT. Remove the brew chamber and dispose of used grounds with care. Failure to comply can cause serious burns.

NOTE: Water for the hot water faucet is heated in a coil inside of the water tank. Use of the faucet will not affect the volume of water delivered for a brew. However, overuse of the faucet during a brew may lower the temperature of the brew water.

## B. PREPARATION

Place one (1) genuine Bloomfield paper filter in the brew chamber. Add a pre-measured amount of fresh coffee grounds. Gently shake the brew chamber to level the bed of grounds. Slide the brew chamber into place under the brew head.

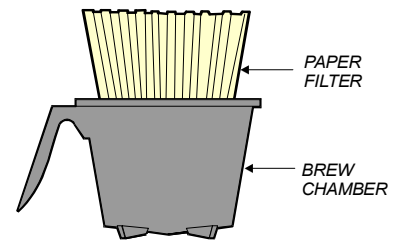


Fig. 7 Brew Chamber

## C. POUR-OVER OPERATION

**NOTE:** Any Integrity™ brewer can be used in the pour-over mode.

BE sure "READY TO BREW" light is lit.

Place the appropriate *EMPTY* decanter in place under the brew chamber.

Fill a decanter with tap water. Lift the pour-over cover and pour the entire contents of the decanter into the pour-over opening, which will fill the basin.

Water from the basin will displace a like amount of heated water from the tank. The hot water will be forced into the brew head where it will spray over the bed of grounds. Freshly brewed coffee will begin to fill the container under the brew chamber. When the flow and all dripping stops, the coffee is ready to serve.

Discard the contents of the brew chamber. Rinse the brew chamber in a sink. When the "HEAT" light goes out, the brewer is ready for another brew cycle.

## C. AUTOMATIC OPERATION

BE sure "READY TO BREW" light is lit.

Place an *EMPTY* decanter in place under the brew chamber.

Press the "BREW" switch. The solenoid will open for an amount of time determined by the timer setting, admitting a measured quantity of water into the basin.

Water from the basin will displace a like amount of heated water from the tank. The hot water will be forced into the brew head where it will spray over the bed of grounds. Freshly brewed coffee will begin to fill the decanter under the brew chamber. At the end of the brew cycle, plus an amount of time set to allow all water to drip out of the brew chamber, two beeps will sound. When the flow and all dripping stops, the coffee is ready to serve.

Discard the contents of the brew chamber and rinse it in a sink. When the "READY TO BREW" light comes on, the brewer is ready for another brew cycle.

## CLEANING INSTRUCTIONS

### PROCEDURE: Clean Coffee Brewer

PRECAUTIONS: Disconnect brewer from electric power.  
Allow brewer to cool.

FREQUENCY: Daily

TOOLS: Mild Detergent, Clean Soft Cloth or Sponge  
Bristle Brush.

1. Disconnect brewer from electric power.  
Allow brewer to cool before cleaning.
2. Remove and empty decanters.
3. Remove and empty brew chamber.
4. Remove the spray disk from the brew head (See figure 8):  
Press up on the spray disk ears, then turn the disk to the left to unlatch. Remove the gasket from inside the brew head.
5. Wipe inside of brew head and area around the brew head with a soft clean cloth or sponge moistened with clean water.
6. Wash the spray disk in a sink using warm water and a mild detergent. A bristle brush may be used to clear clogged spray holes. Rinse the spray disk with clean water and allow to air dry.
7. Wash the brew chamber in a sink using warm water and a mild detergent. A bristle brush may be used to clean the inside. Rinse with clean water and allow to air dry. For stainless steel brew chambers, be sure the wire rack is properly reinstalled.
8. Wipe the exterior of the brewer with a soft clean cloth or sponge moistened with clean water.
10. Reinstall the gasket *INSIDE* the brew head, then reinstall the spray disk.
11. Reinstall the brew chamber.
12. Decanters may be washed in a dishwasher or sink.

Procedure is complete



**CAUTION:**  
Burn Hazard

Brewing and serving temperatures of coffee are extremely hot.  
Hot coffee will cause serious skin burns.



**CAUTION:**  
Electric Shock Hazard

Do not submerge or immerse brewer in water.

### IMPORTANT:

DO NOT use steel wool, sharp objects, or caustic, abrasive or chlorinated cleansers to clean the brewer.

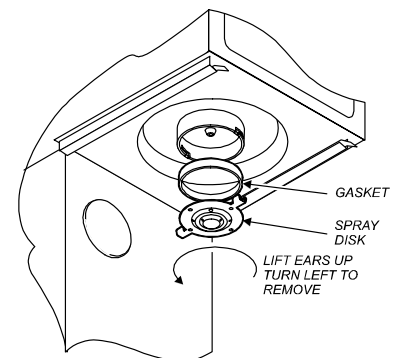


Fig. 8 Cleaning

## TROUBLESHOOTING SUGGESTIONS

| SYMPTOM                                  | POSSIBLE CAUSE  | SUGGESTED REMEDY  |
|--|---|---|
| Water won't heat                         | Brewer unplugged or circuit breaker tripped   | Check power supply cord<br>Check / reset circuit breaker                                |
|  | Thermostat set too low  | Set for desired temperature   |
|  | Hi-Limit thermostat tripped   | Allow to cool<br>Reset hi-limit (8786, 8788)  |
|  | Damaged internal component or wiring  | Examine wiring & connectors, thermostat and heating element<br>Repair/replace as needed |
|  | Pourover - no water or too little water added at startup  | Be sure to add sufficient water   |
| Coffee level low (pour-over)             | Not enough water poured in  | Increase water amount   |
|  | Too much coffee grounds   | Adjust amount of grounds  |
| Coffee level too high or low (automatic) | Timer out of adjustment   | Adjust timer  |
| Brew chamber overflows                   | Too many filter papers or wrong filter paper  | Use one (1) genuine Bloomfield filter per brew  |
|  | Brew chamber dispense hole plugged  | Thoroughly clean brew chamber   |
|  | Too much coffee or too fine a grind   | Adjust coffee amount and grind  |
| Sprays water from brew head              | Spray gasket improperly installed   | Check/reinstall gasket on INSIDE of brew head   |
|  | Spray disk plugged  | Clean spray disk  |
| No brew (automatic)                      | Water supply OFF  | Turn water supply ON  |
|  | Water line strainer plugged   | Clean strainer (see pg. 14)   |
|  | Water filter (if used) plugged  | Replace filter element  |
|  | Bad BREW switch   | Replace switch  |
|  | Damaged internal component or wiring  | Examine wiring & connectors, brew switch and solenoid<br>Repair/replace as needed       |
| No flow from hot water faucet            | Faucet valve turned OFF   | Turn faucet valve ON  |
|  | Faucet plugged  | Disassemble faucet, clean   |
| Poor coffee quality                      | Water not hot enough  | Adjust water temp 195-205°F   |
|  | Keep brewer, airpots and servers clean. Install a taste and odor filter in water supply, and replace cartridges regularly.<br>Use a quality coffee with a consistent roast. Use proper grind and amount of coffee per brew. |   |

**ACCESS PANELS**

Each warmer plate has a center stud which screws into a bracket. Remove warmer plates by turning counter-clockwise.

Solenoid door is held by two screws and a retaining lip.

Front Panel (In-Line Models) and Top / Rear Panel (3-Station Models):

- a. Remove warmer plate by turning counter-clockwise until it unscrews.
- b. Remove screws from two retaining clips under warmer plate.
- c. Lift off panel.

Front Panel (3-Station Models):

- a. Remove warmer plates by turning counter-clockwise until they unscrew.
- b. Remove screws from two retaining clips under each warmer plate.
- c. Remove three screws from bottom-side of front lip.
- d. Pull bottom of panel forward until it clears.

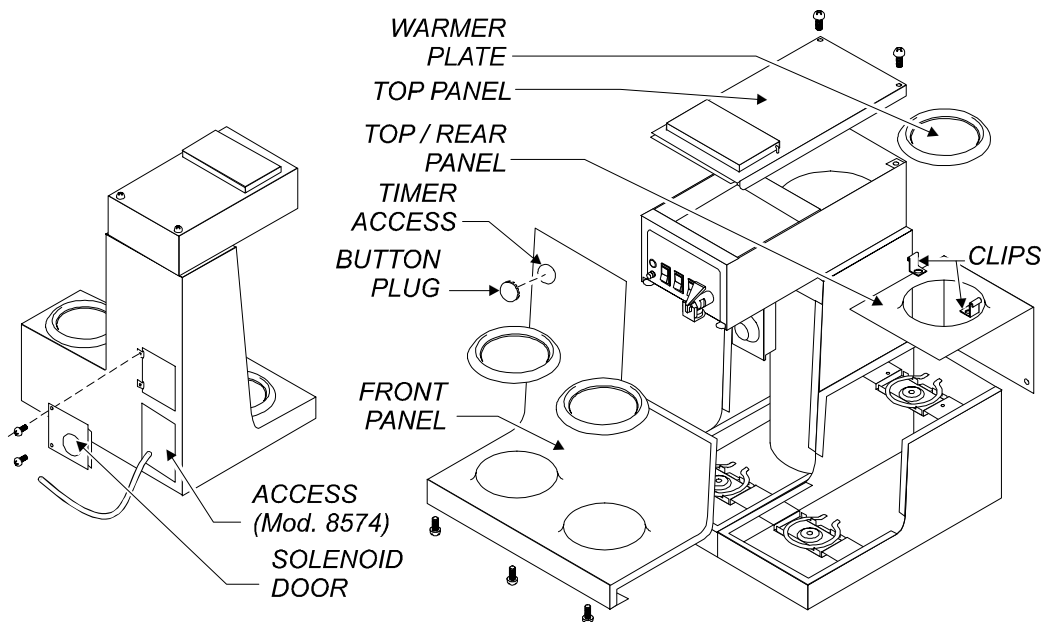
Top Panel (All Models):

- a. Remove two screws from rear of top panel.
- b. Lift rear of panel, remove to rear.



**CAUTION**  
Electric Shock  
Hazard

Opening access panels or removing warmer plates on this brew may expose uninsulated electrical components. Disconnect brewer from electrical power before removing any panel or warmer plate.



*Fig. 9 Access Panels*

## SERVICING INSTRUCTIONS (continued)



**CAUTION**  
Electric Shock  
Hazard

These procedures involve exposed electrical circuits. These procedures are to be performed by qualified technical personnel only.

### TEMPERATURE ADJUSTMENT

Unplug power cord or turn circuit breaker OFF. Remove top panel.

Pull vent tube out of tank lid and insert a thermometer of known accuracy in vent hole. Reconnect brewer to electrical power.

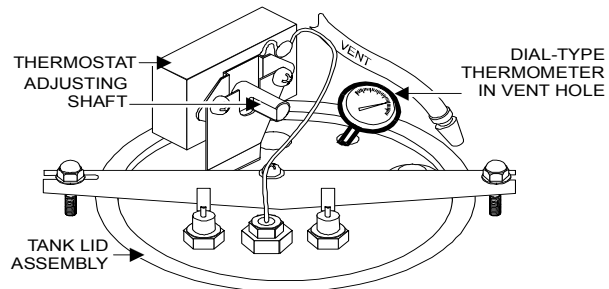


Fig. 10 Checking and Adjusting Brew Temperature

#### NOTE:

Optimum brewing temperature range is 195°F to 205°F (90°C to 96°C).

#### IMPORTANT:

A mechanical thermostat will maintain temperature within  $\pm 10^\circ\text{F}$ . To prevent boiling water in the brewer, thermostat should be adjusted to a maximum temperature equal to the local boiling temperature minus  $10^\circ\text{F}$ .

Place an empty decanter under brew chamber. Energize brewer and pour one decanter (64 oz.) of cold water into pour-over opening. When READY TO BREW light comes on, read temperature displayed on thermometer.

Adjust thermostat by turning shaft; clockwise increases temperature.  $1/8$  turn = approximately  $10^\circ\text{F}$ . Refer to Table 1 below for proper brewing temperature based on altitude.

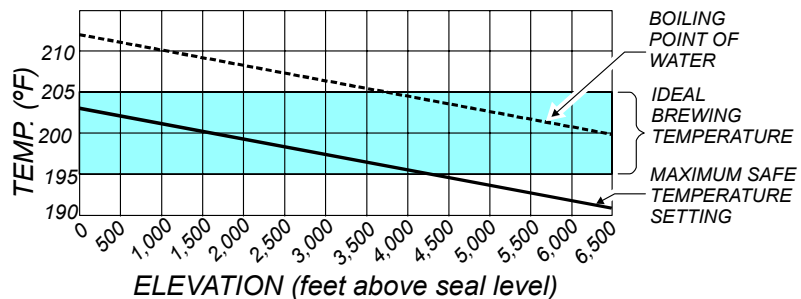


Table 1 Boiling Temperature by Altitude

Upon completion, remove thermometer and reinstall vent tube.

**TIMER ADJUSTMENT**

The amount of water dispensed automatically during a brew cycle is controlled by the timer.

Place empty decanter under brew chamber. Press BREW button. Brewer should dispense one decanter of water. To adjust amount:

Remove brew chamber and button plug. Adjust knob on timer; clockwise increases time. Run several cycles to check amount of water delivered. Replace button plug.

**REMOVE TANK LID ASSEMBLY**

Unplug brewer or turn circuit breaker *OFF*. Turn *OFF* water supply. Remove top panel. Pull vent tube and inlet elbow out of basin pan.

Pull water inlet tube out of basin pan. Remove basin pan.

On models with faucet, disconnect inlet pipe at faucet shut-off valve and outlet pipe at faucet.

Disconnect all wiring from thermostat, hi-limit, and heating element.

Loosen center screw on tank hold-down bracket. Remove hold-down bracket by sliding short slotted end off of locking stud and lifting it off. Remove cover assembly by lifting it straight up.

Reassemble in reverse order.

**REPLACE THERMOSTAT**

Unplug brewer or turn circuit breaker *OFF*. Turn *OFF* water supply. Remove top panel.

Disconnect all wiring from thermostat only. Loosen and free jam nut from pass-thru fitting securing temperature sensing bulb. Remove two screws holding thermostat to bracket.

Lift out thermostat, sensing bulb and thermostat gasket.

Reassemble in reverse order.

**REPLACE HEATING ELEMENT**

Remove tank lid assembly per above.

Remove two hex nuts holding element to cover. Pull element from mounting holes.

Reassemble in reverse order.

**IMPORTANT:** Water pressure must be between 20 p.s.i and 90 p.s.i. flowing pressure. If water pressure exceeds this value, or if water pressure varies greatly, a pressure regulator must be installed in the water supply line.

**IMPORTANT:** Before setting assembly into tank, make sure tank lid gasket is properly seated on flange of lid. *DO NOT OVER-TIGHTEN.*

**IMPORTANT:** When mounting thermostat, be sure a new seal washer is placed below the fitting on the capillary line. Push sensing bulb thru tank lid until fitting seats. Tighten capillary lock nut only enough to ensure no water leakage. Excessive tightening is not necessary.

**IMPORTANT:** When replacing heating element, also replace seal gaskets.

## SERVICING INSTRUCTIONS (continued)

### REPLACE SOLENOID

Symptom: Automatic brewer will not flow water; or, automatic brewer drips continuously from brew head.

Unplug power cord or turn circuit breaker *OFF*. Turn *OFF* and disconnect water supply from brewer inlet fitting.

#### A. (OLD-STYLE)

Remove hex nut holding inlet fitting into back of brewer. Remove two screws holding access door in place. Remove access door. Remove front panel.

On faucet models, remove flare connection from "tee" inlet fitting.

Push solenoid forward slightly and lift to release it from bracket.

Disconnect wiring and remove rubber tubing from solenoid.

Remove fittings from old solenoid and transfer to new solenoid. If necessary, replace flow control at this time.

#### B. (NEW-STYLE)

Unscrew water inlet fitting from solenoid.

Remove two screws holding access door in place. Remove two screws holding solenoid to door.

Remove brew water tube from solenoid. On faucet models, remove faucet water tube from bypass side of solenoid by pressing the white ring portion of the tube fitting tightly against the metal portion while pulling the tube off of the solenoid.

Disconnect wiring from solenoid.

Transfer solenoid bracket to new solenoid.

Reassemble in reverse order.

### CLEAN SOLENOID SCREEN (NEW-STYLE)

Symptom: Automatic brewer will not flow water.

Unplug power cord or turn circuit breaker *OFF*. Turn *OFF* and disconnect water supply from brewer inlet fitting.

Unscrew water inlet fitting from solenoid.

Using needle-nose pliers, withdraw strainer screen from solenoid. Clean screen under faucet. A stiff bristle brush may be used if necessary.

Reinsert screen in solenoid. Be careful to maintain correct orientation. (The *OPEN END* of the screen goes in *FIRST*.)

Reassemble in reverse order.

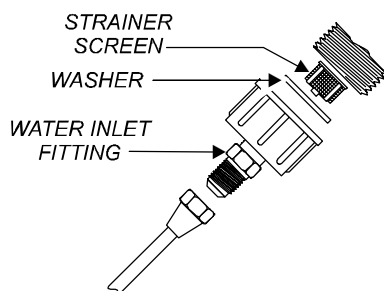


Fig. 11 Clean Strainer Screen



**REPLACE TIMER ASSEMBLY**

Unplug power cord or turn circuit breaker OFF.

Remove front panel. Remove knob and three screws holding timer to bracket. Disconnect wiring to timer.

Reassemble in reverse order.

Adjust timer as described on page 13

**REPLACE HOT WATER FAUCET COIL**

Symptom: Brewer drips continuously from brew head, except when faucet valve is turned OFF.

Remove tank lid assembly per above.

Remove two hex nuts hot water coil to cover. Pull coil from mounting holes.

Reassemble in reverse order.

**REPAIR HOT WATER FAUCET**

Remove top panel and turn faucet valve OFF.

Unscrew aerator cap from faucet and remove handle retaining clip. Do not let faucet body turn.

Pull bonnet assembly from faucet body.

Examine the interior of the faucet body and the surface of the seat cup. Clean out any debris in the faucet body, using a stiff bristle brush if necessary.

Examine the aerator. Clean any debris from the screen or flow straightener, using a stiff bristle brush if necessary.

Reassemble in reverse order.

**REPLACE BREW READY LIGHT or BREW BUTTON**

Unplug power cord or turn circuit breaker OFF.

Using Switch Removal Tool (p/n 83209) or a thin screwdriver, pry light or switch from mounting hole. Disconnect leads.

Reassemble in reverse order.

**IMPORTANT:** When replacing water faucet coil, also replace seal gaskets.

**NOTE:** Any abrasion or roughness on the flat end of the seat cup will require replacing the seat cup:

Work the seat cup out of the bonnet and off of the end of the stem.

Install a new seat cup, making sure the knob on the stem is fully inserted into the pocket of the seat cup, and the skirt of the seat cup is fully inserted into the bonnet.

## SERVICING INSTRUCTIONS (continued)



### CAUTION - CHEMICAL BURN HAZARD

Deliming chemicals are caustic. Wear appropriate protective gloves and goggles during this procedure.

Never siphon deliming chemicals or solutions by mouth.

This operation should only be performed by qualified and experienced service personnel.

---

**IMPORTANT:** DO NOT spill, splash or pour water or deliming solution into or over any internal component other than the inside of the water tank.

---

**IMPORTANT:** DO NOT allow any internal components to come into contact with the deliming solution. Take care to keep all internal components dry.

**NOTE:** Repeat steps 4 thru 5 as required to remove all scale and lime build-up.

### PROCEDURE: Delime the Water Tank

**PRECAUTIONS:** Disconnect brewer from electric power. Allow brewer to cool.

**FREQUENCY:** As required (Brewer slow to heat)

**TOOLS:** Deliming Solution  
Protective Gloves, Goggles & Apron  
Mild Detergent, Clean Soft Cloth or Sponge  
Bristle Brush, Bottle Brush  
Large Sink (or other appropriate work area)

- 
1. Disconnect brewer from the electrical supply. Turn off the water shut-off valve and disconnect the water supply line from the brewer inlet fitting.
  2. Remove the tank lid assembly as described on page 13.
  3. Remove the water tank from the brewer body by lifting straight up. Empty all water from the tank. Set the tank back into the brewer.
  4. Mix 2 quarts of deliming solution according to the manufacturer's directions. Carefully pour the deliming solution into the water tank. Lower the lid assembly back onto the tank. Allow to sit for 30 minutes, or as directed by the manufacturer.
  5. At end of soaking period, remove lid assembly from tank. Thoroughly rinse internal components of lid assembly with clear water. Using a stiff bristle brush, scrub the heating element (and faucet water coil on automatic brewers) to remove lime and calcium build-up. Rinse with clean water. Store lid assembly in a safe location .
  6. Remove the tank from the brewer and empty. Using a stiff bristle brush, scrub the interior of the water tank to remove lime and calcium build-up. Rinse with clean water.

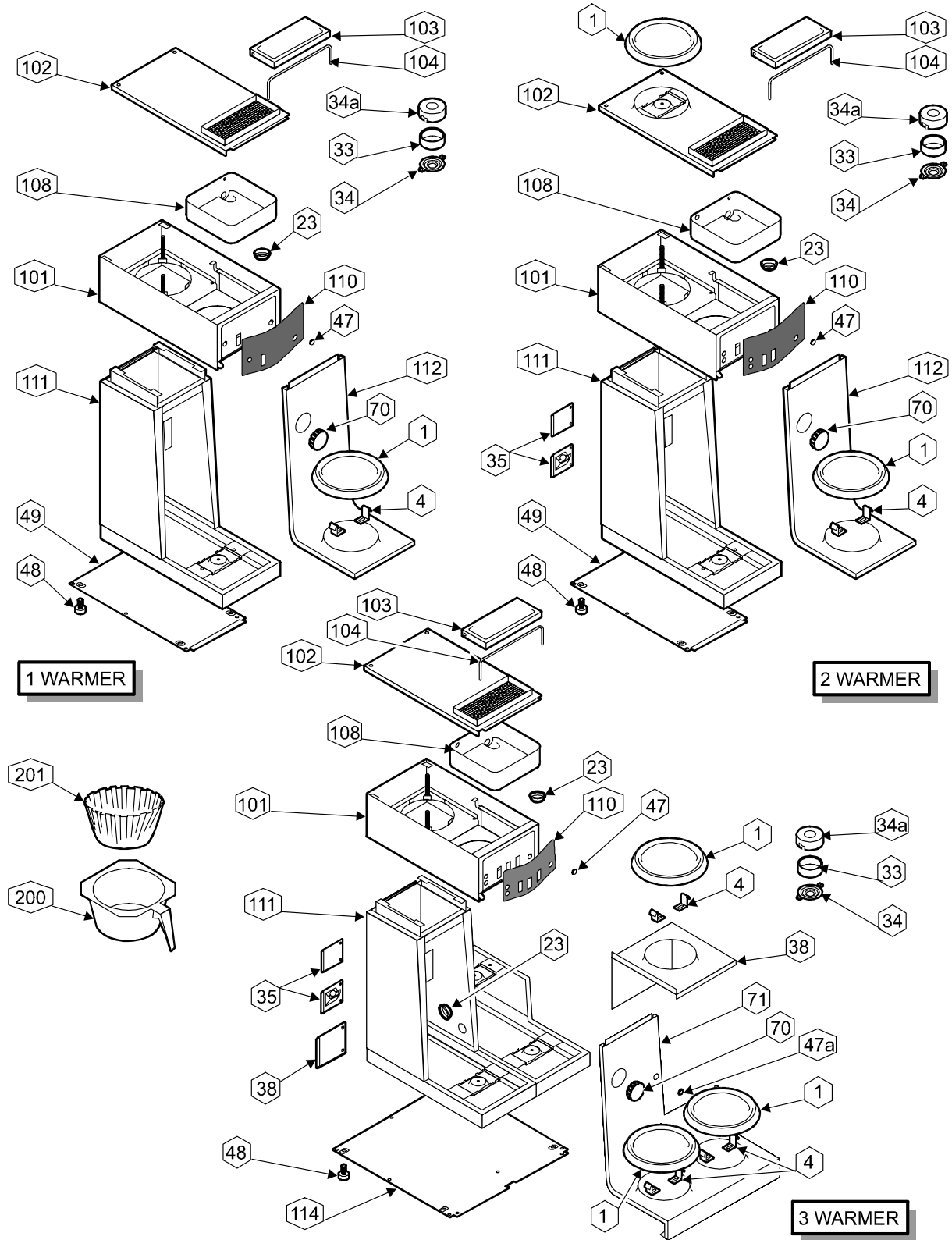
## SERVICING INSTRUCTIONS (continued)

7. Set the tank back into the brewer. Reassemble the tank lid to the water tank. Make sure the gasket is properly in place, then reinstall the hold-down strap.
8. Reinstall wiring to heating element and thermostat. Reinstall the hi-limit thermostat (if removed). For brewers with hot water faucet, reassemble faucet piping. Verify that all internal components are dry, then reinstall the top panel.
10. Reconnect brewer to electrical supply and, for automatic brewers, reconnect water supply.
11. Install the brew chamber without filter paper or grounds. Run at least three full brew cycles and discard all water generated.
12. Brewer is ready to use.

**NOTE:** Normally, silicone hoses do not need to be delimed. Should deliming hoses become necessary, Bloomfield recommends replacing the hoses.

# EXPLODED VIEW & PARTS LIST

## CABINET & RELATED COMPONENTS

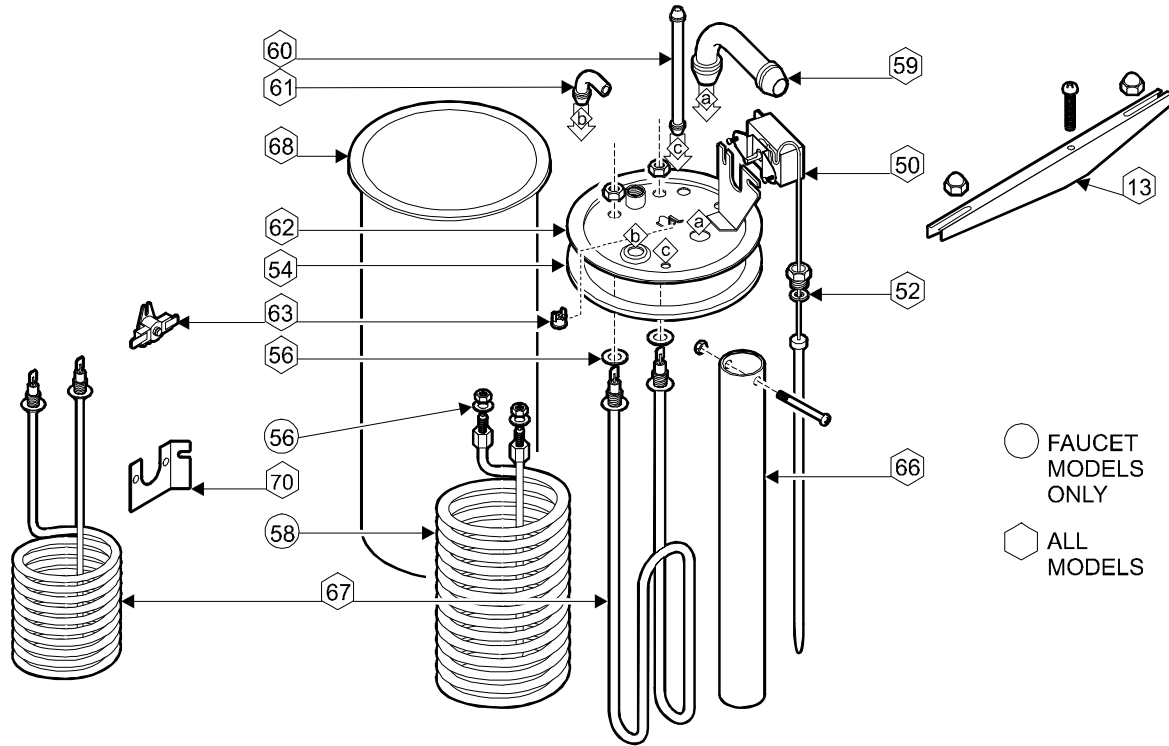


**EXPLODED VIEW & PARTS LIST (continued)**

| <b>ITEM</b> | <b>PART NO.</b> | <b>DESCRIPTION</b>                  | <b>USED ON</b>                 |
|-------------|-----------------|-------------------------------------|--------------------------------|
| 1           | 8700-16         | Warmer Cover Plate, Black           | All                            |
|             | 8875-149        | Warmer Cover Plate, Brown           | All                            |
| 4           | 8543-80         | Clip, Panel Retaining               | All                            |
| 20          | 8543-23         | Tinnerman Nut, #8 (not shown)       | All                            |
| 23          | 8543-69         | Heyco Bushing                       | All                            |
| 33          | 8543-42         | Spray Head Gasket                   | All                            |
| 34          | 82727           | Spray Disk                          | All                            |
| 34a         | 8543-45         | Spray Head Retainer                 | All                            |
| 35          | 8572-34         | Door, Solenoid Access (Old-Style)   | 8540, 8541, 8572, 8573 & 8574  |
|             | 85089           | Door, Solenoid (New-Style)          | 8540, 8541, 8572, 8573 & 8574  |
| 38          | 8574-10         | Cover, Electric                     | 8574                           |
| 47          | 8810-12         | Button Plug (Non-faucet)            | 8541, 8542, 8543, 8571, & 8573 |
| 47a         | 8033-60         | Button Plug (Hi-Limit)              | 8574                           |
| 48          | 8033-55         | Leveler, Adjustable Leg             | All                            |
|             | 8033-56         | Cap, Adjustable Leg                 | All                            |
|             | 81732           | Adjustable Leg Assembly             | All                            |
| 70          | 8706-75         | Button Plug (Timer)                 | 8540, 8541, 8572, 8573 & 8574  |
| 101         | 8572-13         | Top Assembly                        | All                            |
| 102         | 8512-56         | Basin Cover Assy (w / Warmer)       | 8540, 8541, 8543               |
|             | 8542-6          | Basin Cover Assy (no Warmer)        | 8542, 8571, 8572, 8573 & 8574  |
| 103         | 8543-46         | Reservoir Cover                     | All                            |
| 104         | 8543-49         | Reservoir Cover Hinge Wire          | All                            |
| 108         | 8541-21         | Basin Pan (Automatic)               | 8540, 8541, 8572, 8573 & 8574  |
|             | 8543-29         | Basin Pan (Pour-Over)               | 8542, 8543, 8571               |
| 110         | 8542-110        | Basin Front Label                   | 8542                           |
|             | 8543-160        | Basin Front Label                   | 8543                           |
|             | 8541-160        | Basin Front Label                   | 8540 & 8541                    |
|             | 8572-110        | Basin Front Label                   | 8572, 8573 & 8574              |
|             | 8571-20         | Basin Front Label                   | 8571                           |
| 111         | 8542-25         | Bottom Assembly (In-Line Pour-Over) | 8542 & 8543                    |
|             | 8540-25         | Bottom Assembly (In-Line Automatic) | 8540 & 8541                    |
|             | 8571-13         | Bottom Assy (3-Station Pour-Over)   | 8571                           |
|             | 8572-33         | Bottom Assy (3-Station Automatic)   | 8572 & 8573                    |
|             |                 | Bottom Assy (3-Station Automatic)   | 8574                           |
| 112         | 8541-155        | Panel, Front                        | 8540 & 8541                    |
|             | 8543-48         | Panel, Front                        | 8542 & 8543                    |
|             | 8571-3          | Panel, Front                        | 8571                           |
|             | 8572-10         | Panel, Front                        | 8572, 8573 & 8574              |
| 114         | 8718-61         | Panel, Bottom Plate (In-line)       | 8540, 8541, 8542 & 8543        |
|             | 8752-66         | Panel, Bottom Plate (3-Station)     | 8571, 8572, 8573 & 8574        |
| 200         | 8942-6B         | Brew Chamber, Black                 | All                            |
|             | 8942-6          | Brew Chamber, Brown                 | All                            |
|             | 8707-6          | Brew Chamber, Stainless             | All                            |
|             | 8766-11         | Brew Chamber, Portion Pack, Black   | All                            |
|             | 8942-6PP        | Brew Chamber, Portion Pack, Brown   | All                            |
| 201         | POF             | Filter Paper (case of 1000)         | All                            |

# EXPLODED VIEW & PARTS LIST (continued)

## HOT WATER TANK ASSEMBLY

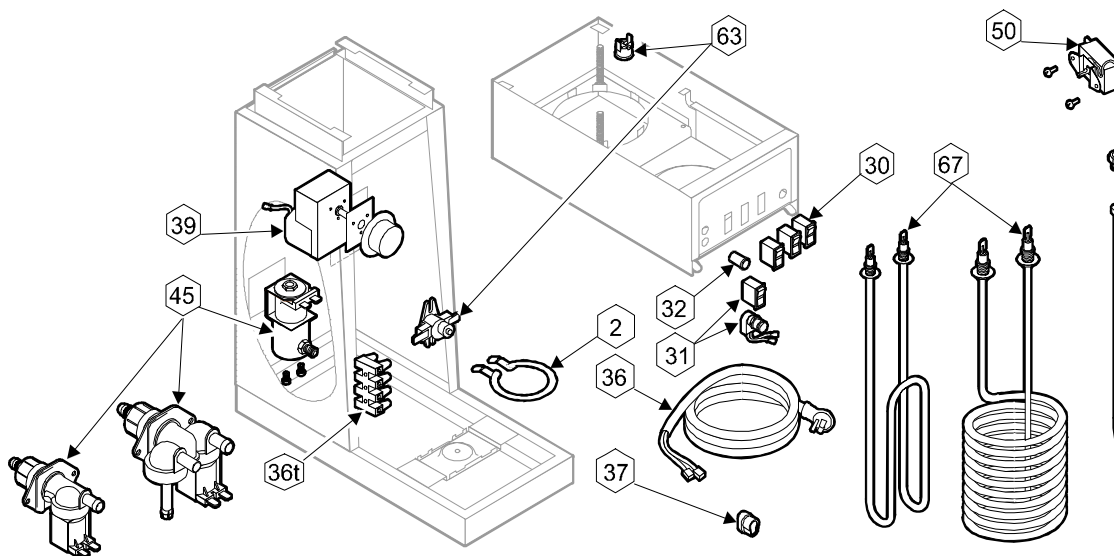


| ITEM | PART NO. | DESCRIPTION                      | USED ON                      |
|------|----------|----------------------------------|------------------------------|
| 13   | 8043-5   | Hold Down Strap                  | All                          |
| 50   | 8512-51  | Thermostat                       | All                          |
| 52   | 8512-41  | Seal Washer                      | All                          |
| 54   | 8043-12  | Tank Cover Gasket                | All                          |
| 56   | 8043-30  | Seal Gasket                      | All                          |
| 58   | 8540-6   | Hot Water Coil                   | 8540, 8572, 8574             |
| 59   | 8043-8   | Inlet Elbow                      | All                          |
| 60   | 8043-15  | Vent Tube                        | All                          |
| 61   | 8043-11  | Outlet Elbow                     | All                          |
| 62   | 8512-45  | Tank Cover (Plate Only, 6 holes) | 8541, 8542, 8543, 8571, 8573 |
|      | 8514-68  | Tank Cover (Plate Only, 8-holes) | 8540, 8572, 8574             |
| 63   | 8043-83  | Hi-Limit Thermostat (120V)       | All, except 8574             |
|      | 8552-50  | Hi-Limit Thermostat (240V)       | 8574                         |
| 66   | 8043-24  | Water inlet Tube                 | All                          |
| 67   | 8043-14  | Heating Element (120V, 1500W)    | All, except 8574             |
|      | 8716-1   | Heating Element (240V, 3500W)    | 8574                         |
| 68   | 8043-10  | Tank Body                        | All                          |
| 70   | 80625    | Bracket, Hi-Limit                | 8574                         |

8543-300 Spare Cover Assembly (120V, 1500 W  
No Coil - all parts mounted to cover)  
8541WF-300 Spare Cover Assembly (120V, 1500W  
With Coil - all parts mounted to cover)

**COMPLETE  
SPARE  
TANK COVER  
ASSEMBLY**

ELECTRICAL COMPONENTS



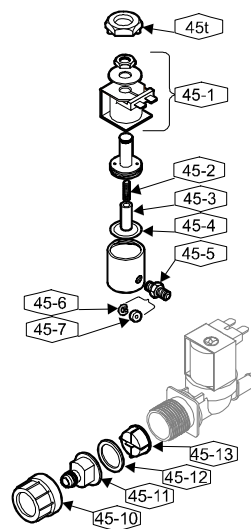
| ITEM | PART NO. | DESCRIPTION                         | USED ON                      |
|------|----------|-------------------------------------|------------------------------|
| 2    | 8572-18  | Warmer Element, 120V 100W           | All                          |
| 30   | 6710-23  | Warmer ON/OFF Switch                | All                          |
| 31   | 8572-24  | BREW Switch, push-button            | 8572, 8573, 8574             |
|      | 8707-55  | BREW SWITCH, momentary rocker       | 8540, 8541                   |
| 32   | 8718-31  | READY TO BREW Indicator Light       | All                          |
| 36   | 6407-15  | Cord & Cap Assembly, NEMA 5-15P     | All, except 8574             |
| 36t  | 8552-18  | Terminal Block, 4P                  | 8574                         |
| 37   | 35-210   | Strain Relief                       | All, except 8574             |
| 39   | 8718-1   | Timer, 2 Minute w/dial & knob       | 8540, 8541, 8572, 8573, 8574 |
| 45   | 8541-120 | Solenoid Valve (Old-Style)          | 8540, 8541, 8572, 8573, 8574 |
|      | 83612    | Solenoid Valve (new-style, single)  | 8541 & 8573                  |
|      | 84455    | Solenoid Valve (new style w/bypass) | 8540, 8572, 8574             |
| 50   | 8512-51  | Thermostat                          | All                          |
| 63   | 8043-83  | Hi-Limit Thermostat                 | All, except 8574             |
|      | 8552-50  | Hi-Limit Thermostat, Manual Reset   | 8574                         |
| 67   | 8043-14  | Heating Element, 120V 1500W         | All, except 8574             |
|      | 8716-1   | Heating Element, 240V 3500W         | 8574                         |

**SOLENOID REPAIR KITS (OLD-STYLE SOLENOID ONLY)**

|             |   |
|-------------|---|
| 8541-120CS  | Coil Assembly (item 45-1)   |
| 8541-120K   | Solenoid Repair Kit (includes items 45-2 Spring, 45-3 Plunger & x45-4 Seal Ring)  |
| 8541-120JS  | Solenoid Repair Kit (includes items 45-2 Spring, 45-3 Plunger & 45-4 Seal Ring plus 45t Service Wrench)                     |
| 8541-120KS  | Solenoid Repair Kit (includes items 45-2 Spring, 45-3 Plunger, 45-4 Seal Ring & x45-5 Flow Control plus 45t Service Wrench) |
| 8541-120F   | Flow Control (item 45-5 includes 45-6 Retainer Ring & 45-7 Flow Control Washer)   |
| 8541-120R   | Flow Control Washer Retaining Ring (item 45-6)  |
| 8541-120FW  | Flow Control Washer (item 45-7)   |
| 8541-120-WS | Service Wrench (item 45t)   |

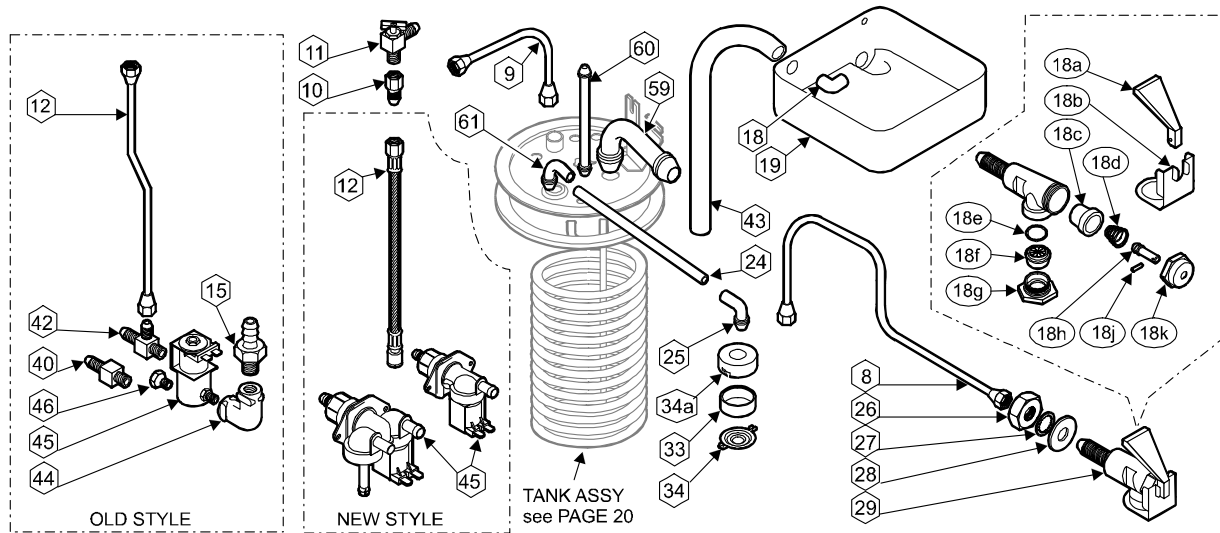
**SOLENOID REPAIR KITS (NEW-STYLE SOLENOID ONLY)**

|       |  |
|-------|--|
| 83612 | Solenoid Complete, Single                            |
| 84455 | Solenoid, Complete, with Bypass                      |
| 85218 | Inlet Fitting Kit (items 45-10, 45-11, 45-12, 45-13) |
| 85219 | Inlet Strainer (item 45-13)                          |



## EXPLODED VIEW & PARTS LIST (continued)

### INTERNAL PLUMBING COMPONENTS

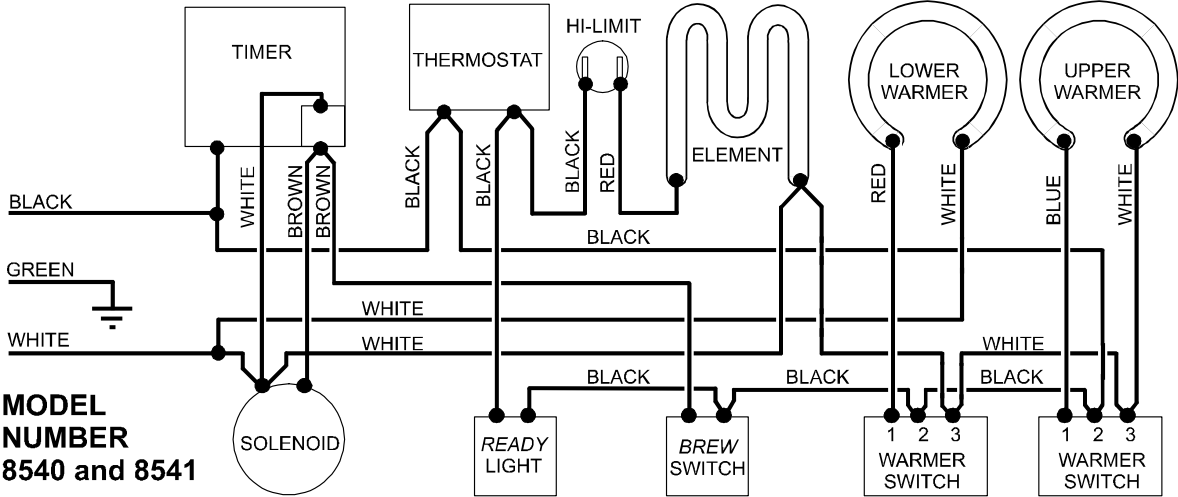


| ITEM | PART NO.  | DESCRIPTION                                  | USED ON                       |
|------|-----------|--|-------------------------------|
| 8    | 8540-3    | Faucet Outlet Tube Assembly                  | 8540, 8572 & 8574             |
| 9    | 8540-4    | Formed Inlet Tube Assembly                   | 8540, 8572 & 8574             |
| 10   | 8551-30   | 1/4" Male Flare x 1/8" FPT                   | 8540, 8572 & 8574             |
| 11   | 8514-26   | Needle Valve (Faucet Shut-Off)               | 8540, 8572 & 8574             |
| 12   | 8572-20   | Inlet Tube Assembly (old-style)              | 8540, 8572 & 8574             |
|      | 84461     | Braided Hose (new-style)                     | 8540, 8572 & 8574             |
| 15   | 8941-20   | Adapter Fitting (old-style)                  | 8540, 8541, 8572, 8573 & 8574 |
| 18   | 8540-30   | Elbow  | 8540, 8541, 8572, 8573 & 8574 |
| 19   | 8541-21   | Basin Pan (Automatic)                        | 8540, 8541, 8572, 8573 & 8574 |
|      | 8543-29   | Basin Pan (Pour-Over)                        | 8542, 8543, 8571              |
| 25   | 8043-13   | Sprayer Elbow                                | All                           |
| 26   | 82680     | Hex Lock Nut                                 | 8540, 8572 & 8574             |
| 27   | 8551-100B | 7/16" Lock Washer                            | 8540, 8572 & 8574             |
| 28   | 82681     | Washer                                       | 8540, 8572 & 8574             |
| 29   | 82556     | Faucet Assembly                              | 8540, 8572 & 8574             |
| 33   | 8543-42   | Spray Head Gasket                            | All                           |
| 34   | 82727     | Spray Disk                                   | All                           |
| 34a  | 8543-45   | Spray Head Retainer                          | All                           |
| 40   | 8541-93   | Inlet Fitting, Straight (old-style)          | 8541 & 8573                   |
| 42   | 8551-35   | Coil Inlet "Tee" Fitting (old-style)         | 8540, 8572 & 8574             |
| 43   | 8541-46   | Water Inlet Tube                             | 8540, 8541, 8572, 8573 & 8574 |
| 44   | 8541-48A  | Elbow 1/4" Male Flare x 1/4" FPT (old-style) | 8540, 8541, 8572, 8573 & 8574 |
| 45   | 8541-120  | Solenoid Valve (old-style)                   | 8540, 8541, 8572, 8573 & 8574 |
|      | 83612     | Solenoid Valve, Single (new-style)           | 8541 & 8573                   |
|      | 84455     | Solenoid Valve w/ Bypass (new-style)         | 8540, 8572 & 8574             |
| 46   | 8706-102  | Adapter Fitting (old-style)                  | 8540, 8541, 8572, 8573 & 8574 |
| 59   | 8043-8    | Inlet Elbow                                  | All                           |
| 60   | 8043-15   | Vent Tube                                    | All                           |
| 61   | 8043-11   | Outlet Elbow                                 | All                           |

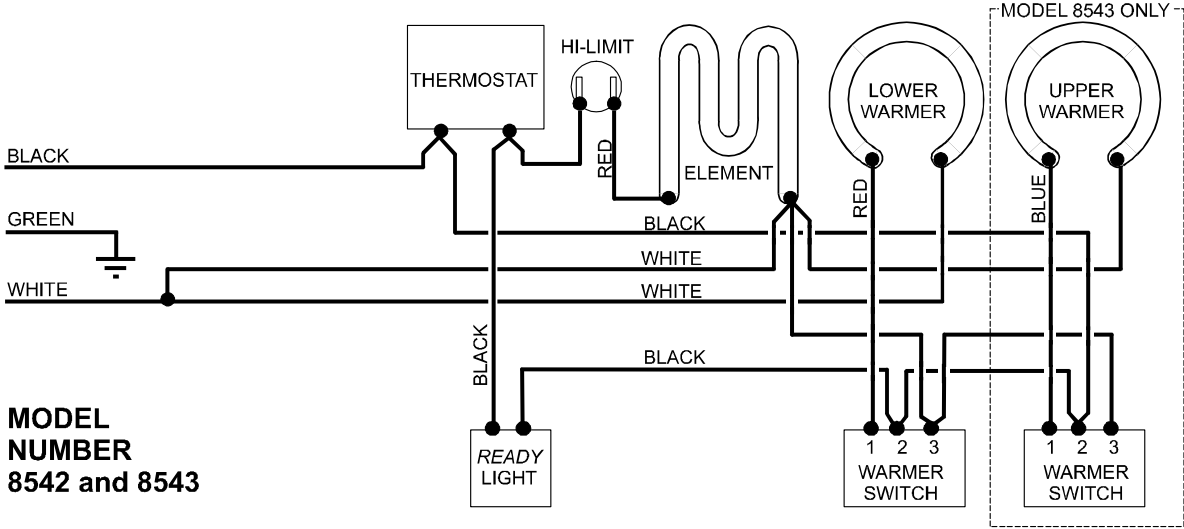
#### FAUCET REPAIR KITS

|       |   |
|-------|---|
| 82573 | Handle (item 18a)   |
| 82575 | Seat Cup (item 18c)   |
| 82576 | Faucet Repair Kit (Includes 18a Handle, 18c Seat Cup, 18d Spring, 18h Stem, 18j Pin & 18k Bonnet) |
| 82682 | Retainer Clip (item 18b)  |
| 84804 | Aerator Replacement Kit (Includes 18e O-Ring, 18f Aerator Disk & 18g Aerator Cap)                 |
| 84870 | Aerator Repair Kit (Includes 18e O-Ring & 18f Aerator Disk)                                       |



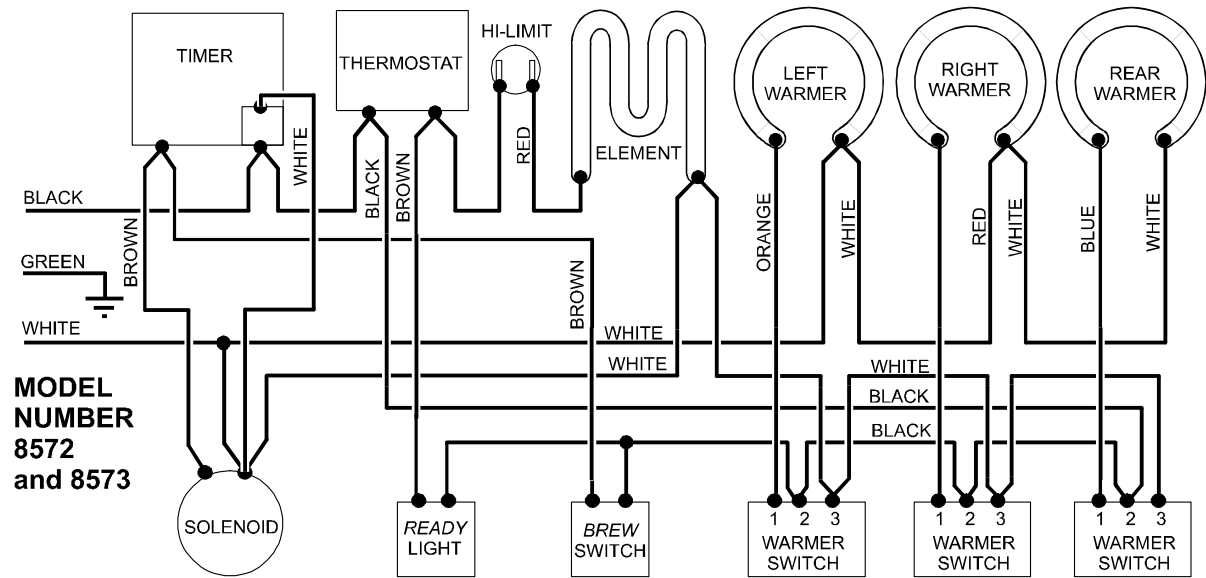
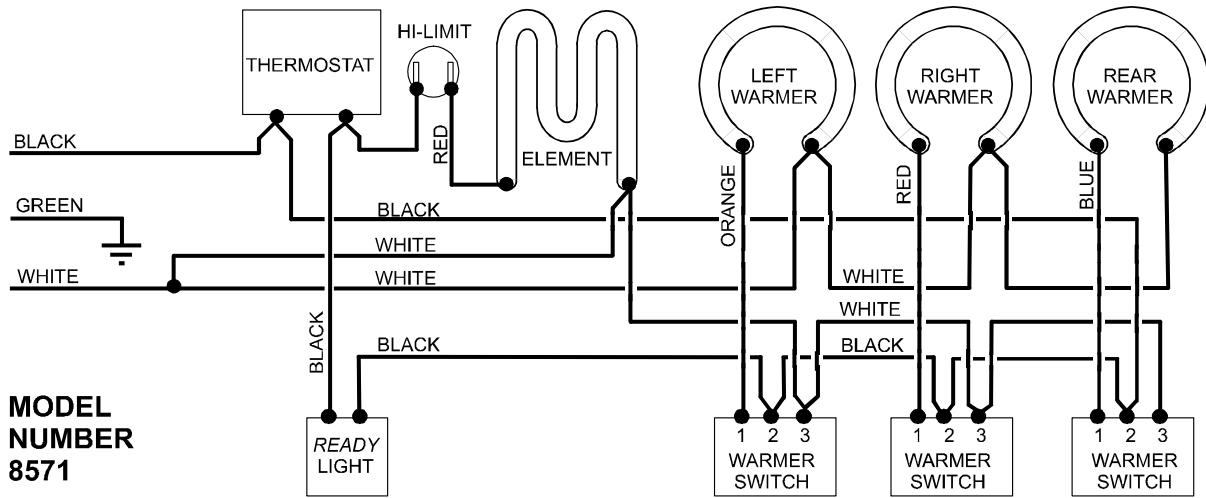


**MODEL NUMBER 8540 and 8541**

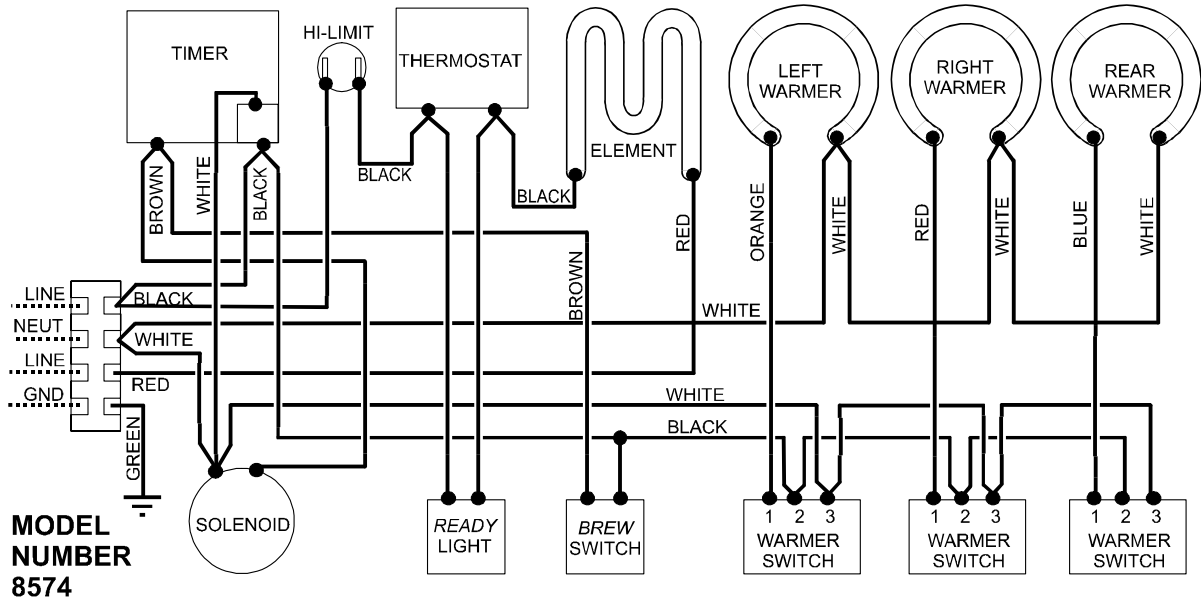


**MODEL NUMBER 8542 and 8543**

# WIRING DIAGRAM



WIRING DIAGRAM (continued)



MODEL NUMBER 8574

SERVICE TRAINING - QUALITY SERVICE



CUSTOMER SATISFACTION



**== BLOOMFIELD**

**Bloomfield Industries, Inc.**  
**Division of Carrier Refrigeration**  
PO. Box 280 Verdi, NV. 89439  
Telephone (775)345-0444 Fax (888)492-2783  
Service: (888)492-2782  
website: [www.wellsbloomfield.com](http://www.wellsbloomfield.com)

**Bloomfield Industries Canada Limited**  
**Division of Carrier Refrigeration**  
5850 Keaton Cresnet  
Mississauga, Ontario, Canada L5R 3K2  
Telephone (905)507-1700 Fax (905)507-1777  
Toll Free (877)507-1700  
website: [www.bloomcan.com](http://www.bloomcan.com)  
e-mail: [brewinfo@bloomcan.com](mailto:brewinfo@bloomcan.com)