



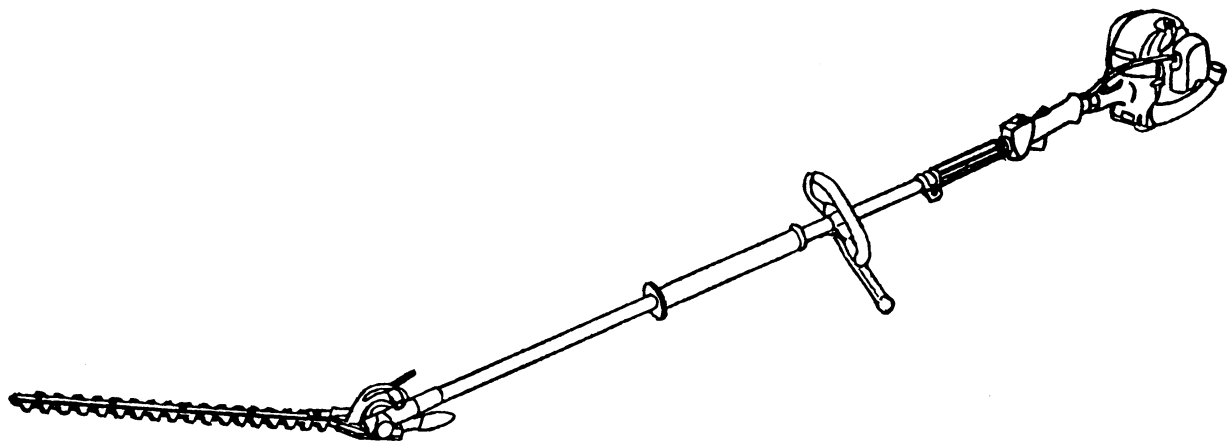
English / French / German  
Italian / Dutch / Spanish

**Pole Hedge Trimmer**  
**Taille haie à Rallonge**  
**Hock-Heckenschere**  
**Tagliasiepi Prolungato a Scoppio**  
**Stok Heggenschaar**  
**Cortasetos Articulado de Altura** **PTR2500**

---

<b>Instruction Manual</b>	<b>Manuale di istruzioni</b>
<b>Manuel d'instructions</b>	<b>Handleiding</b>
<b>Betriebsanleitung</b>	<b>Manual de instrucciones</b>

---



**Important:**

Read this instruction manual thoroughly before using the Pole Hedge Trimmer and follow the safety regulations carefully. Be sure to keep this instruction manual for future reference.

**Important:**

Lire entièrement ce manuel d'instructions avant d'utiliser la taille haie à rallonge et respecter toutes les consignes de sécurité. S'assurer de conserver ce manuel d'instructions pour toute référence ultérieure.

**Wichtig:**

Lesen Sie vor Inbetriebnahme des Hock-Heckenscheres diese Betriebsanleitung sorgfältig durch, und befolgen Sie unbedingt alle Sicherheitsvorschriften für den Gebrauch des Gerätes. Bewahren Sie diese Betriebsanleitung für späteres Nachschlagen unbedingt auf.

**Importante:**

Leggere questo manuale di istruzioni sino in fondo prima di usare il tagliasiepi prolungato a scoppio e seguire sempre attentamente le norme di sicurezza. Conservare poi questo manuale per poterne fare di nuovo uso in futuro.

**Belangrijk:**

Lees deze handleiding zorgvuldig door voor u de stok heggenschaar gaat gebruik en volg de veiligheidsinstructies nauwgezet op. Bewaar deze handleiding zodat u er later nog iets in op kunt zoeken.

**Importante:**

Lea completamente este manual de instrucciones antes de utilizar el Cortasetos Articulado de Altura y respete cuidadosamente las instrucciones para su seguridad. Guarde este manual de instrucciones en un lugar a mano para su referencia en cualquier momento.

Thank you very much for choosing the MAKITA Pole Hedge Trimmer. We are pleased to offer you a product that is the result of an extensive development program and many years of knowledge and experience.

To safely obtain the best possible results from your MAKITA Pole Hedge Trimmer, please read this manual thoroughly before using the machine, and follow all instructions given herein to assure proper operation of the MAKITA Pole Hedge Trimmer.



**Table of Contents**

Symbols	2
Safety instructions	3~6
Specifications	7
Parts Breakdown	8
Connecting the trimmer unit to the pole	9
Attaching the handle	9
Using the shoulder strap	9
Fuel/refueling	10
Precautions before starting the engine	11
Starting the engine	11
Stopping the engine	12
Checking and adjusting the idling speed	12
Operating the Pole Hedge Trimmer	13~14
Maintenance	14~16
Storage	17
Maintenance schedule	17
Troubleshooting	17

**SYMBOLS**

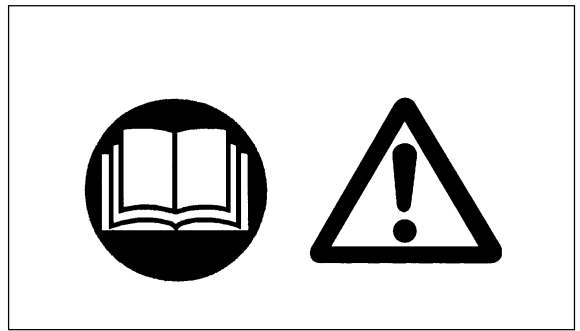
Please note the following symbols when reading this instruction manual

	WARNING/DANGER		Beware of pinching
	Before usage, carefully read and fully understand the instructions in this manual		Beware of electrical lines, risk of electrical shock
	PROHIBITION		Gasoline/oil mixture
	No smoking		Engine manual-start
	No naked flame		Emergency stop
	Wear protective shoes		First aid
	Wear protective gloves		Recyclable
	Keep working area clear of persons and pets		ON/START
	15m (50ft)		OFF/STOP
	Wear a protective helmet and eye and ear protection		CE-mark

# SAFETY INSTRUCTIONS

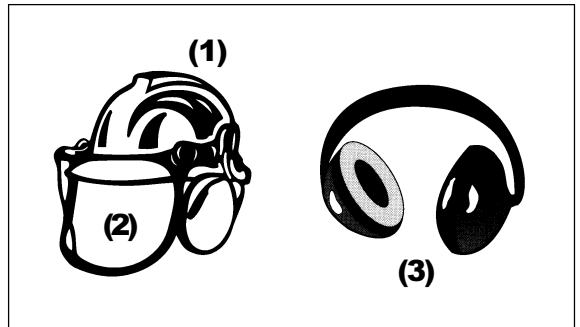
## General Instructions

- Before usage, carefully read this manual and thoroughly familiarize yourself with how to correctly handle the pole hedge trimmer. **THIS EQUIPMENT CAN CAUSE SERIOUS INJURY IF USED IMPROPERLY!**
- Always provide detailed instructions on how to correctly use the pole hedge trimmer when lending the equipment to another person. Make sure that the instruction manual is handed over together with the pole hedge trimmer.
- First-time users should ask their dealer for basic instructions on the correct handling of the pole hedge trimmer.
- Store this manual in a location where it is easily accessible for quick reference.
- Do not allow persons under the age of 18 to operate the pole hedge trimmer. Individuals over 16 years old, however, may use the pole hedge trimmer for training purposes if under the constant supervision of an adult familiar with the operation of the pole hedge trimmer.
- Always use the pole hedge trimmer with the utmost care and attention.
- Serious injury may result if the pole hedge trimmer is used in the following circumstances. Do not use the pole hedge trimmer:
  - When feeling tired or ill.
  - After consumption of alcohol and/or medication.
  - At night or in poor lighting conditions.
  - During pregnancy.



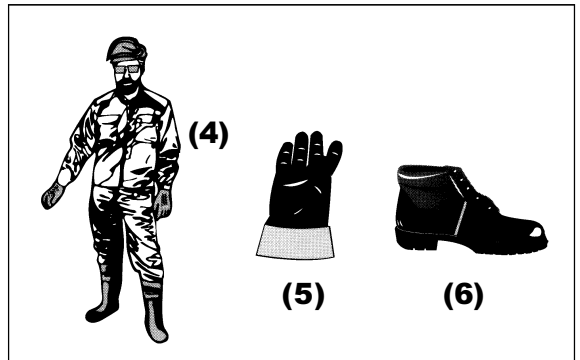
## Intended use

- This pole hedge trimmer has been designed for the sole purpose of trimming hedges and bushes with a maximum branch diameter of 6 mm. Do not use the trimmer for any other purposes.



## Personal protective equipment

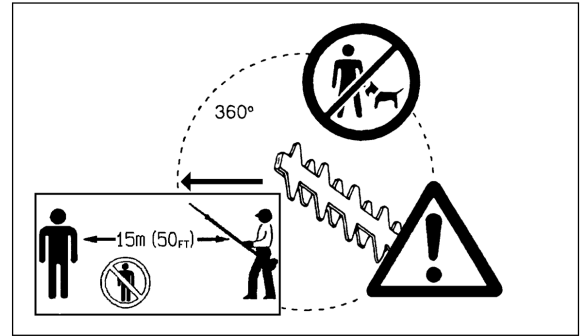
- Clothes worn should be functional and tight-fitting without restricting movement. Do not wear clothing or jewelry that could get entangled in underbrush or in the machine.
- For adequate protection against injuries to head, eyes, feet, hands, as well as hearing impairment, the following protective equipment and clothing must be used when working with the pole hedge trimmer.
- To prevent injury to the head or the eyes, always wear a protective helmet (1) with goggles or a visor (2).
- To avoid hearing impairment, wear adequate ear defenders (3) at all times.
- Use of a well-fitting work overalls (4) is strongly recommended.
- Always wear rugged, leather working gloves (5) when operating the pole hedge trimmer.
- When using the pole hedge trimmer, always wear sturdy shoes (6) with a non-slip sole. Special work shoes ensure good footing and protect against injury.



### Starting the Pole Hedge Trimmer

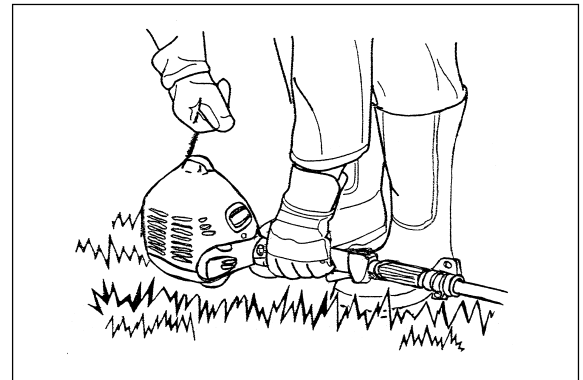
- At all times allow a 15-meter diameter safety zone around the working area. Make sure that all persons (in particular children) and/or animals remain outside this zone. In general, avoid using the hedge trimmer whenever people (in particular children) are nearby.
- Before starting the Pole Hedge Trimmer, always make sure that the machine is in safe operational condition.
- Check the operation of the throttle lever safety mechanism. The lock-off lever should have a smooth and easy action. Make sure that the lock-off lever functions properly. Check that the handles are clean and dry and test the STOP switch to ensure that it is functioning properly.

Always start the pole hedge trimmer in accordance with the directions provided in this instruction manual.



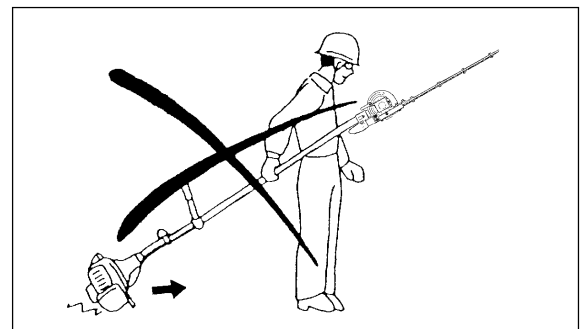
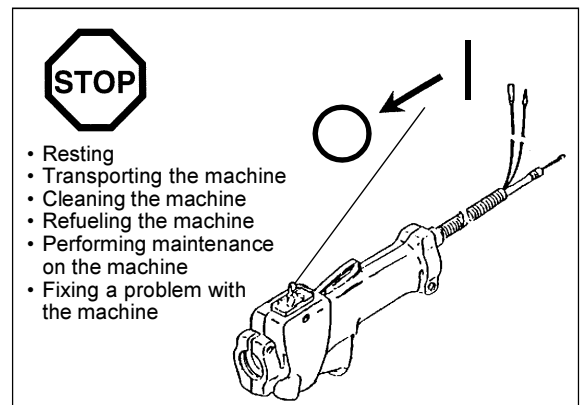
### Follow the instructions below to start the pole hedge trimmer

- Start the pole hedge trimmer only after the machine has been completely assembled and all accessory parts have been attached.
- Before starting the engine, make sure that cutter blades are not obstructed by any foreign objects such as stones, branches, etc.
- Stop the engine immediately if engine problems occur.
- When operating the pole hedge trimmer, always maintain a firm grip on both handles. Wrap your fingers tightly around each handle, cradling the handle between thumb and forefinger. To keep the pole hedge trimmer under control at all times, avoid changing your grip during operation. Make sure that the control handles are in good condition and free of moisture, mud, oil or grease.



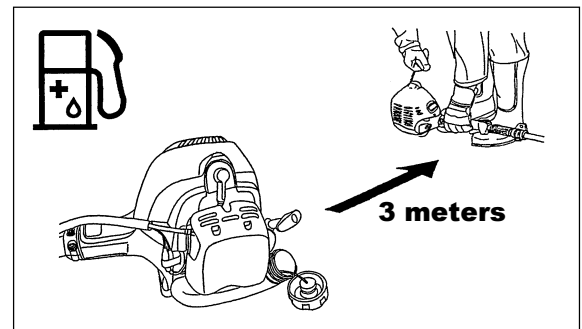
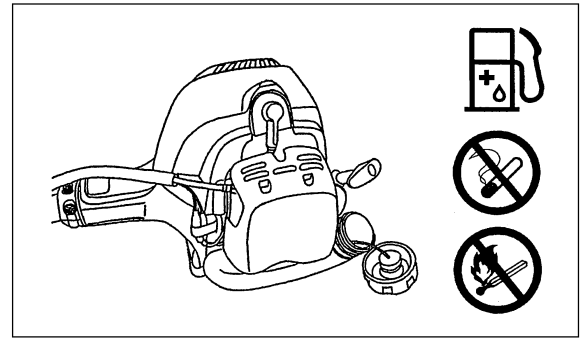
### Always ensure secure and well-balanced footing

- Only use the pole hedge trimmer outdoors.
- Always stop the engine immediately and discontinue operation if engine trouble occurs or if the machine starts making unusual noise.
- Exhaust fumes are poisonous. Never operate the machine in an enclosed room or tunnel without ventilation (risk of suffocation and gas poisoning). Note that carbon monoxide is an odorless gas. Always make sure that areas where the engine is operated are adequately ventilated.
- Stop the engine when resting, or when the pole hedge trimmer is left unattended. Place the machine in a safe location and make sure that no combustible material is nearby.
- Never place a hot hedge trimmer onto dry grass or combustible material.
- To reduce the risk of fire, keep the engine and muffler free of debris, leaves or excessive lubricant.
- Never operate the engine if the muffler is malfunctioning.
- Turn off the engine before transportation.
- Always stop the engine in the following circumstances. When:
  - Resting
  - Transporting the machine
  - Cleaning the machine
  - Refueling the machine
  - Performing maintenance on the machine
  - Fixing a problem with the machine
- When transporting the machine in a vehicle, always securely attach the pole hedge trimmer to avoid leakage of residual fuel.
- Always empty the fuel tank before transporting the pole hedge trimmer in a vehicle.
- When unloading the machine from a vehicle, take extra care not to drop the pole hedge trimmer to the ground, as this may seriously damage the fuel tank.
- Except in an emergency, never drop the pole hedge trimmer as this may seriously damage the machine.
- When transporting the pole hedge trimmer, always lift the machine completely off of the ground. Never drag the engine across the ground as this may damage the fuel tank and possibly cause a fire.
- Always use the cutter cover provided to protect and secure the cutting section of the pole hedge trimmer during transportation and storage.



## Refueling

- Before refueling, stop the engine.
- Never refuel near naked flames
- Do not smoke when refueling.
- Always allow sufficient time for the engine to cool down before refueling.
- Take care not to let your skin come into contact with petroleum products. Do not inhale gasoline fumes and always wear protective gloves when refueling. Change and clean protective wear at regular intervals.
- Take extra care to avoid spilling gasoline and oil in order to avoid contamination of the ground (environmental protection). If gasoline or oil has been spilled onto the hedge trimmer, immediately wipe the surface of the hedge trimmer with a rag. To avoid spontaneous combustion, allow wet rags to dry sufficiently before discarding them into an appropriate, covered container.
- Make sure that no fuel comes in contact with your clothing. Change fuel-contaminated clothing immediately (fire hazard).
- Close the fuel tank and tighten the fuel tank cap securely. To restart the engine, transfer the pole hedge trimmer to a location at least 3 meters away from the place of refueling.
- Check the fuel tank cap at regular intervals to make sure that the cap is securely fastened.
- Never refuel the machine in an enclosed room. Fuel vapors accumulate at ground level (risk of explosion).
- Store fuel in appropriate containers only, and make sure that stored fuel is out of the reach of children.
- To prevent damage to fuel lines and engine parts, avoid using gasoline that contains ethanol or methanol (types of alcohol) when mixing gasoline with two-stroke engine oil.



## Operation

- During operation, hold the pole hedge trimmer with both hands at all times.
- Only use the pole hedge trimmer in good light and visibility conditions. Beware of slippery and wet areas (ice and snow) during the cold season (danger of slipping), and always ensure secure footing.
- Never use the pole hedge trimmer while standing on an unstable surface or a steep slope.
- Never use the pole hedge trimmer while standing on a ladder.
- Never climb a tree to use the pole hedge trimmer from the tree.
- To avoid stumbling or falling over objects, never walk backwards when working with the pole hedge trimmer.
- Always stop the engine before cleaning or servicing the machine. Also, refrain from replacing parts before the engine has been stopped.
- Do not operate the pole hedge trimmer if the cutting unit is damaged or worn.



## Maintenance instructions

- Always do your utmost to keep pollution and noise emissions as low as possible when operating the pole hedge trimmer. Pay special attention to correct adjustment of the carburetor.
- Clean the hedge trimmer at regular intervals and periodically check whether all nuts and bolts are securely tightened.
- Never service or store the pole hedge trimmer in the vicinity of naked flames, sparks, etc.
- Empty the fuel tank before storage, and always store the pole hedge trimmer in a well-ventilated locked room. Make sure the pole hedge trimmer is out of children's reach at all times.
- To prevent further damage and/or personal injury, refrain from repairing a malfunctioning pole hedge trimmer if not qualified to do so. For repairs always contact your dealer or an authorized service agent.



Do not attempt to modify or remodel the pole hedge trimmer as this may affect operation safety.

Maintenance work that can be performed by the user is limited to the activities described in this instruction manual. Any other procedures are to be executed by an authorized service agent.

Use only genuine spare parts and accessories supplied by MAKITA via authorized service centers.

Use of unauthorized accessories and tools may increase the risk of accident and injury. MAKITA accepts no liability whatsoever for accidents or damage resulting from the use of unauthorized accessories and parts.

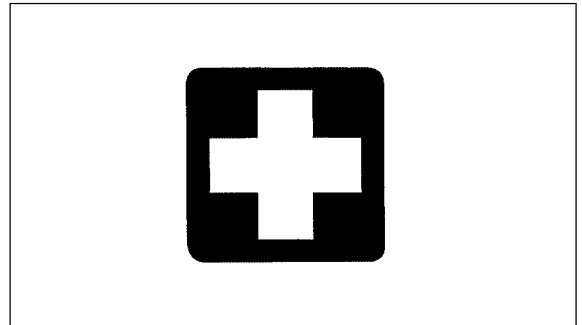
#### First aid

As a precaution for the occurrence of an accident, make sure that a fully stocked first aid kit is ready at hand.

Replace any items taken from the first aid kit as soon as possible.

#### When asking for help in the case of an emergency, give the following information:

- Place of accident
- What happened
- Number of injured people
- Extent of injuries
- Your name



#### Packaging

The pole hedge trimmer is delivered in a protective cardboard box to prevent damage during shipping. Cardboard is a basic raw material that can be reused and recycled (waste paper recycling).



## EC-DECLARATION OF CONFORMITY

#### Model; PTR2500

We declare under our sole responsibility that this product is in compliance with the following standards of standardized documents, ISO11806, EN774, ISO11680, EN55012 in accordance with Council Directives, 89/392/EEC, amended 98/37/EEC, 93/68/EEC, 89/336/EEC, amended 92/31/EEC.

Measured Sound Power: 106 dB

Guarantee Sound Power: 108 dB

These sound power levels wear measured in accordance with Council Directive, 2000/14/EC.

Conformity assessment procedure: Annex V.

CE2007

Tomoyasu Kato  
Director

Responsible Manufacturer:

**Makita Corporation.**

3-11-8, Sumiyoshi-cho, Anjo, Aichi, JAPAN

Authorized Representative in Europe:

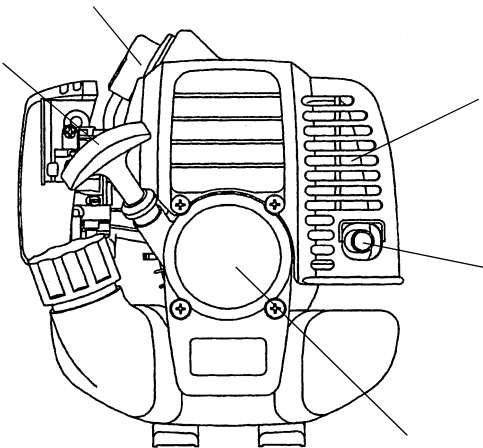
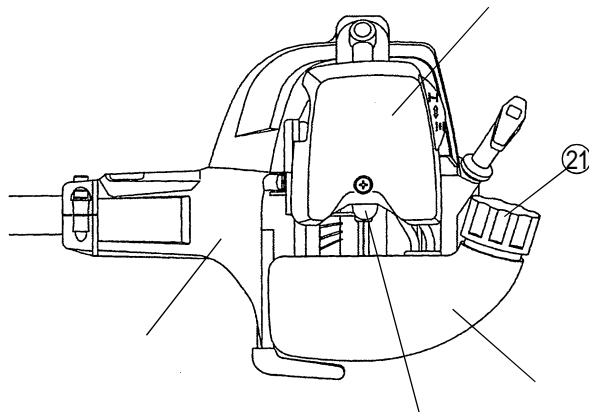
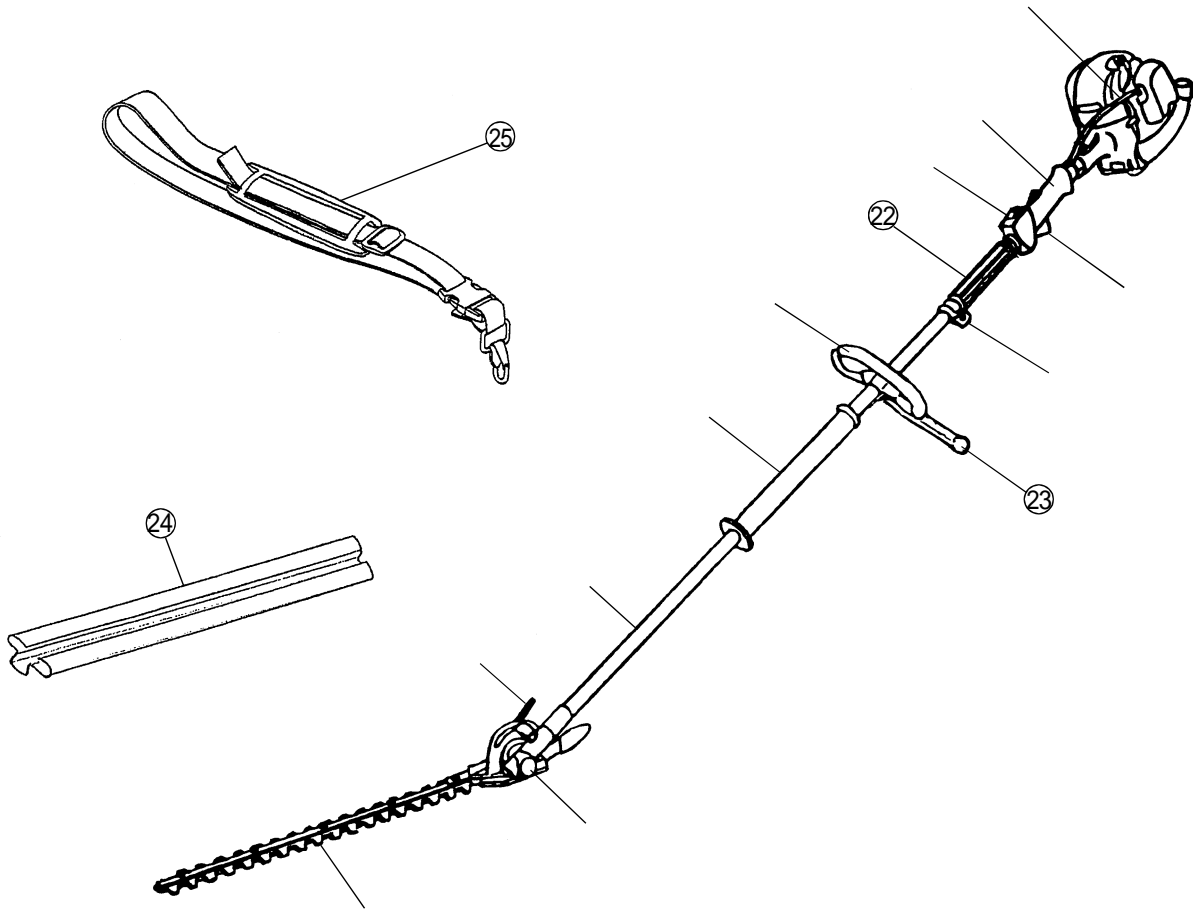
**Makita International Europe Ltd.**

Michigan Drive, Tongwell, Milton kyenes, Bucks MK15 8JD, ENGLAND

## TECHNICAL DATA : PTR2500

Model		PTR2500		
		Loop handle and Grip handle		
Dimensions (L x W x H)	mm	2400 x 350 x 220		
Mass	kg	6.1		
Volume (fuel tank)	L	0.65		
Cutting length	mm	535		
Engine displacement	cm <sup>3</sup>	24.5		
Maximum engine performance		0.75 kW at 7000 min <sup>-1</sup>		
Engine speed At recommended max, spindle speed	min <sup>-1</sup>	10,000		
Fuel consumption	kg/h	0.54		
Specific fuel consumption	g/kWh	735		
Idling speed	min <sup>-1</sup>	3000		
Clutch engagement speed	min <sup>-1</sup>	4100		
Carburetor (Diaphragm carburetor)	type	WALBRO WYJ		
Ignition system	type	Solid state ignition		
Spark plug	type	NGK BMR7A		
Electrode gap	mm	0.6-0.7		
Vibration per ISO7916	Right handle (rear grip)	Idling	m/s <sup>2</sup>	3.63
		Racing	m/s <sup>2</sup>	8.01
	Left handle (handle)	Idling	m/s <sup>2</sup>	7.24
		Racing	m/s <sup>2</sup>	12.00
	Left handle (front grip)	Idling	m/s <sup>2</sup>	4.74
		Racing	m/s <sup>2</sup>	8.44
Vibration per ISO11680	Right handle (rear grip)	Idling	m/s <sup>2</sup>	4.41
		Racing	m/s <sup>2</sup>	7.81
	Left handle (handle)	Idling	m/s <sup>2</sup>	11.76
		Racing	m/s <sup>2</sup>	13.65
	Left handle (front grip)	Idling	m/s <sup>2</sup>	4.36
		Racing	m/s <sup>2</sup>	8.23
Sound pressure level average	ISO7917	dB (A)	90.0	
Sound power level average	ISO10884	dB (A)	102.8	
Mixture ratio (Fuel: MAKITA 2-stroke oil)			50:1	
Gear ratio			1/4	

# DESIGNATION OF PARTS



	Designation of parts
1	Fuel tank
2	Recoil starter
3	Air cleaner
4	I-O switch (ON/OFF)
5	Spark plug
6	Muffler
7	Clutch case
8	Rear grip
9	Hanger
10	Handle
11	Throttle lever
12	Throttle cable
13	Shaft
14	Cutter blades
15	Front grip
16	Starter knob
17	Primer pump
18	Gear box
19	Exhaust pipe
20	Clamp lever
21	Fuel tank cap
22	Distance collar
23	Barrier
24	Blade cover
25	Shoulder strap



## CONNECTING THE TRIMMER UNIT TO THE POLE

### Important:

Make sure that the engine is turned off, and remove the spark plug cap before assembling the pole hedge trimmer.

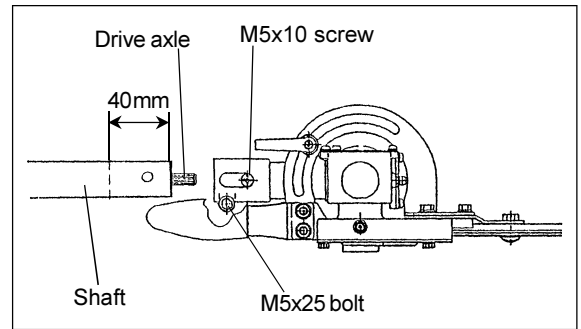
Wear protective gloves!

Secure blades with the blade cover provided when connecting the trimmer unit to the pole.

- Loosen the M5x10 screw and M5x25 bolt.
- Insert shaft into gear case

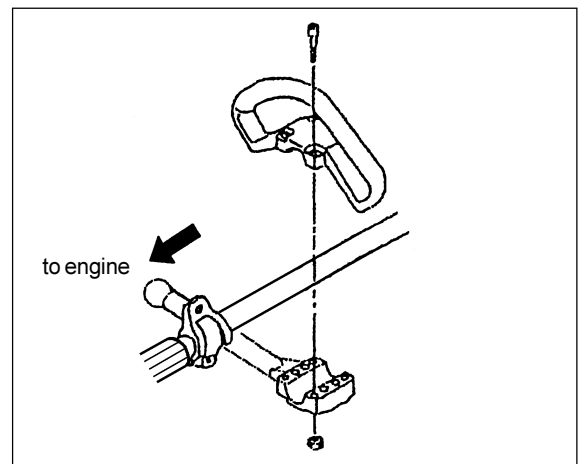
**NOTE:** Make sure that the shaft is completely inserted into the gear case (approx. 40mm/1.57").  
If you are having trouble inserting the shaft, manually rotate the drive axle a little and try again.

- Confirm that the shaft is properly inserted and then tighten the M5x10 screw and the M5x25 bolt.



## ATTACHING THE HANDLE

- Attach the protective barrier together with the handle so that the barrier juts out to the left as viewed from the operating position.
- Make sure not to set the handle too close to the control grip (use the distance collar provided for this purpose).



## USING THE SHOULDER STRAP

### How to wear the shoulder strap

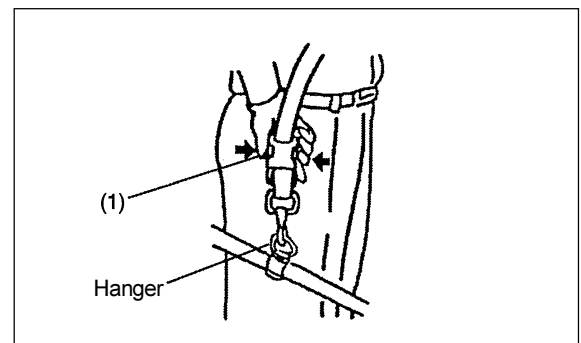
- Wear the shoulder strap over the left shoulder.
- Keep the pole hedge trimmer unit on the right hand side of the body.
- Attach the strap to the fitting provided on the pole hedge trimmer and adjust the length of the strap to attain a comfortable working position.



### Detachment

- In an emergency, push the notches (1) at both sides, and you can detach the machine from you.  
Be extremely careful to maintain control of the machine at this time. Do not allow the machine to be deflected toward you or anyone in the work vicinity.

**WARNING:** Failure to maintain complete control of the machine at all could result in serious bodily injury or DEATH.



# FUEL/REFUELING



## Gasoline/oil mixture

- The engine of the pole hedge trimmer is a highly efficient two-stroke engine that runs on a mixture of gasoline and two-stroke engine oil. The engine is designed to use regular unleaded gasoline with a min. octane value of 91 ROZ. If such gasoline is not obtainable, instead use gasoline with the highest octane value available. This will not cause any damage to the engine, but may result in poor engine performance. Similar results are to be expected when leaded gasoline is used. To obtain optimal engine performance, and for the sake of human health and the environment, where possible use unleaded fuel.
- Two-stroke engine oil (quality grade: TSC-3) must be added to the gasoline in order to lubricate the engine. The engine has been designed to use environment-friendly MAKITA 2-stroke oil, which is to be mixed at a ratio of 50:1. This specially developed oil ensures prolonged engine service life and reliable engine performance with an absolute minimum of exhaust gas emissions. It is imperative to strictly observe the 50:1 mixture (Gasoline/MAKITA 2-stroke oil), as reliable performance of the pole hedge trimmer cannot be guaranteed otherwise.
- Correct gasoline/oil mixture:  
Mix 50 parts gasoline with 1 part MAKITA 2-stroke engine oil (see also table on the right).

**NOTE:** When preparing the gasoline/oil mixture, first mix all of the amount of oil required with half the amount of gasoline required. Add the remaining gasoline and shake the mixture well before replenishing the tank. Do not add more oil than prescribed. If too much oil is added this will produce additional combustion residue, thus polluting the environment and clogging the muffler and the cylinder exhaust channel. In addition, overall fuel consumption will also increase and poorer engine performance is to be expected.

## Handling of petroleum products

Always handle fuel with the utmost care and attention. Since fuel contains substances similar to solvents, refueling must be done outdoors or in well-ventilated areas. Do not inhale gasoline fumes and avoid any skin contact with gasoline or oil. Human skin will dry out if in contact with petroleum over an extended period of time. This may result in various skin diseases and allergic reactions.

Gasoline or oil coming into contact with the eyes can cause severe eye irritation. Should gasoline or oil come into contact with your eyes, immediately rinse your eyes with large amounts of clean water. Do not hesitate to see a doctor if irritation persists.

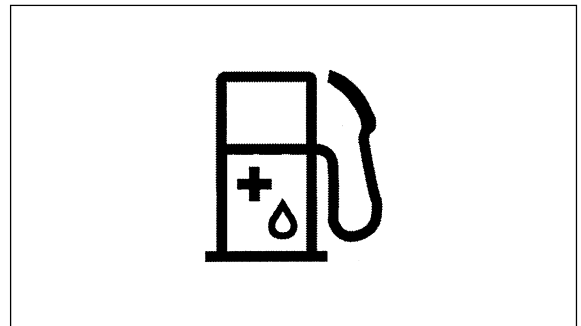
## Refueling

### The engine must be switched off.

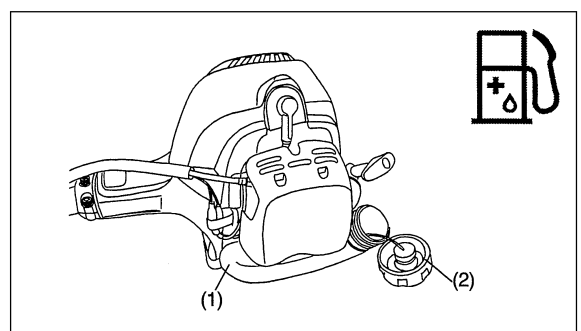
- Thoroughly clean the area around the fuel filler cap (2), to prevent dirt from getting into the fuel tank (1).
- Unscrew the fuel filler cap (2) and fill the tank with fuel.
- Tightly screw on the fuel filler cap (2).
- Clean screw fuel filler cap (2) and tank after refueling.

## Fuel storage

- Fuel deteriorates if stored over an extended period of time.
- Purchase only the amount of fuel to be used over a 4-week period.
- Use only approved petroleum-storage containers.



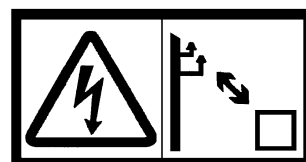
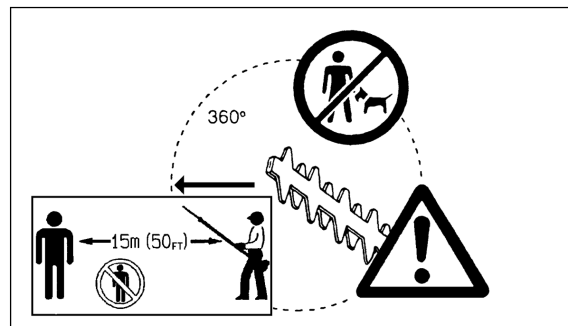
Gasoline	Oil
1000mL (1L) 5000mL (5L) 10000mL (10L)	20mL 100mL 200mL



## PRECAUTIONS BEFORE STARTING THE ENGINE



- At all times allow a 15-meter diameter safety zone around the working area. Make sure that all persons (in particular children) and/or animals remain outside this zone.
- Before using the pole hedge trimmer, make sure that the machine is in safe operational condition. Make sure that the cutter blades are not damaged, and check the throttle lever for easy action. Confirm that the cutter blades are not in motion when the engine is idling. If the machine is not operating normally, contact your dealer to have the machine adjusted. Make sure that the handles are clean and dry, and test whether the I-O switch is functioning properly. Start the engine only in accordance with the instructions given in this manual. Do not use any other methods to start the pole hedge trimmer (see , "Starting the Engine").
- Start the engine of the pole hedge trimmer only after having read and fully understood the instructions. Never attempt to start a pole hedge trimmer that has not been fully assembled. Serious injury may result otherwise.
- Before starting the engine, always make sure that the cutter blades are not obstructed by stones, branches or any other solid objects.
- Check the working area for wires, cord, glass or other foreign objects that could get caught in the cutter blades.
- Electrical shock: Be aware of all electrical lines in the vicinity. Check the entire work area for the presence of power lines and electrical fences before starting to work.



## STARTING THE ENGINE



If the machine has just been refueled, move at least 3 meters away from the location where the pole hedge trimmer was refueled. Place the pole hedge trimmer on a reasonably clean spot on level ground, and make sure that the cutter blades are not in contact with the ground or any other solid objects.

**Cold start** (cold engine / engine was stopped for more than 5 minutes / after refueling)

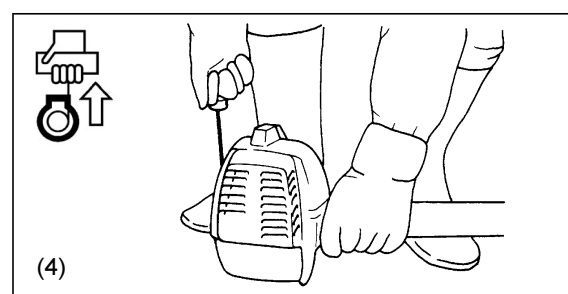
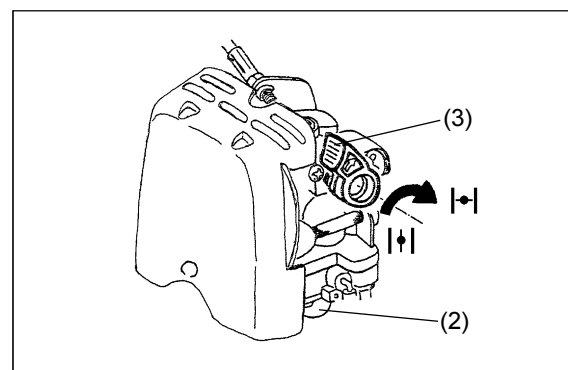
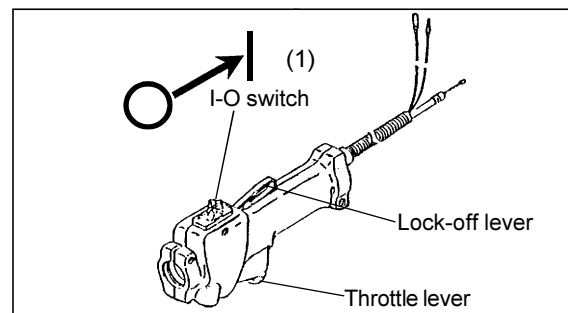
1. Move the I-O switch to the "I" position (1).
2. Push the primer pump (2) repeatedly (7 to 10 times) until fuel enters the bulb of pump.
3. Move the choke lever (3) into the "I" (vertical) position.
4. With one hand hold the engine firmly on the ground (4).
5. Pull the starter cord for approx. 10~15 cm until resistance can be felt.
6. Pull firmly (repeatedly if necessary) on the cord until the engine starts.
7. Return choke lever to position "I" after the engine has started. Note that the choke lever returns automatically when the throttle lever is operated. Squeeze the throttle lever together with the lock-off lever.
8. Warm up the engine at a moderate speed for approx. 1~2 minutes.
9. After the engine is warm the engine runs evenly and transition from low speed to high speed is smooth and without interruption.

**Note:** Pulling the starter rope repeatedly with the choke in "I" position results in excessive fuel intake, which can make it difficult for the engine to start. In the case of excessive fuel intake, remove the spark plug and pull the starter rope slowly to remove excess fuel. Dry the spark plug electrode and replace the spark plug.

**Warm start** (immediate restart after engine-stop)

Do not operate the choke (3) when restarting the engine immediately after stoppage. If the engine does not start, execute steps 1~8 as described above (cold start).

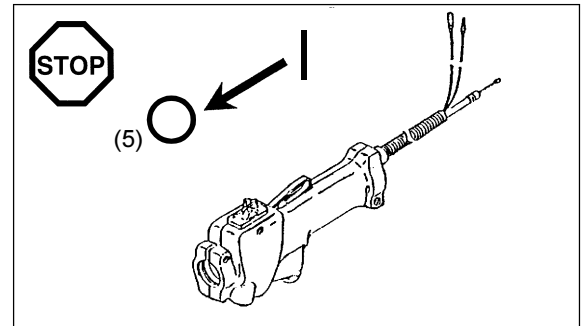
**Note:** Do not release the starter knob immediately after pulling the starter rope, but guide the knob back to its original position.



## STOPPING THE ENGINE



1. Release the throttle lever.
2. Push the I-O switch to the "O" position (5) to stop the engine.

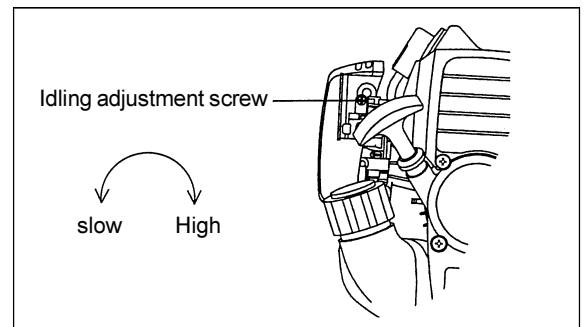


## CHECKING AND ADJUSTING THE IDLING SPEED

The cutter blades of the pole hedge trimmer should not move when the throttle lever is released.

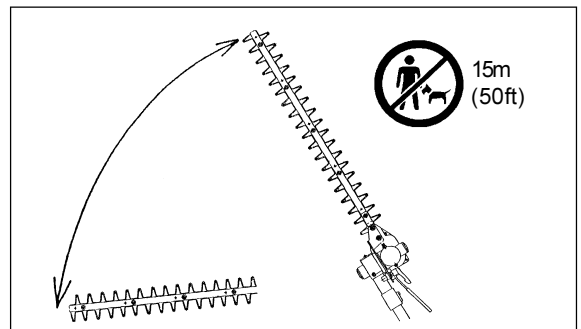
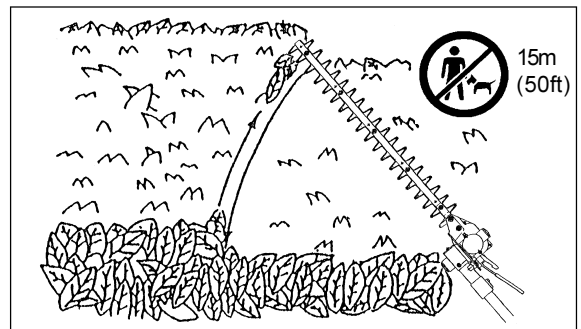
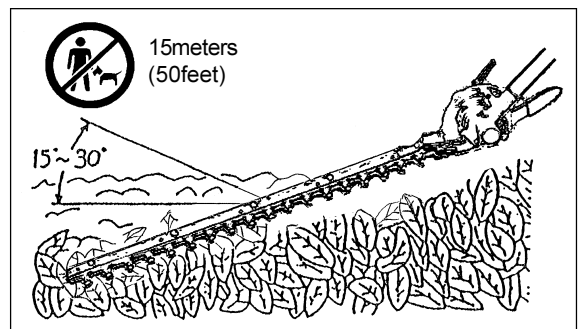
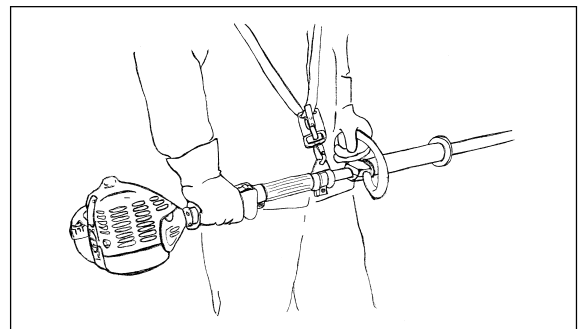
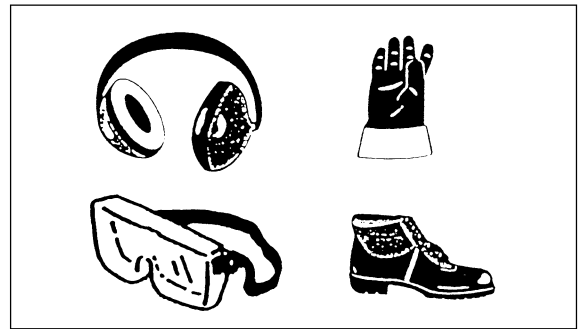
- The correct idling speed is 3000 min<sup>-1</sup>. If necessary, adjust the idling speed using the idling adjustment screw (reduce revs until the cutter blades do not move anymore).

- Turn screw clockwise: Idling speed increases
  - Turn screw counter-clockwise: Idling speed decreases.
- Allow an adequate difference between the idling rate and the rate at which the clutch engages (reduce idling speed further if necessary). Should the cutter blades still move in spite of accurate idling speed settings, consult your nearest authorized service agent.
- The clutch should engage at a minimum rate of 4000 min<sup>-1</sup>.
  - Check that the STOP switch, the lock-off lever and the throttle lever are all functioning properly.



# OPERATING THE POLE HEDGE TRIMMER

- When working with the pole hedge trimmer, firmly grasp the handles with both hands.
- Do not touch the cutter blade portion of the pole hedge trimmer during operation, or when the engine is running.
- Take extra care not to inhale exhaust gases when working with the pole hedge trimmer. Never operate the pole hedge trimmer in an enclosed room or an area with insufficient ventilation (risk of suffocation and gas poisoning). Note that carbon monoxide is an odorless gas that is, it cannot be detected by the sense of smell.
- Always wear adequate protective wear before starting to work with the pole hedge trimmer.
- Stop the engine immediately if the muffler is not functioning properly.
- Only use the pole hedge trimmer in good light and visibility conditions.
- Do not operate the pole hedge trimmer in darkness or fog. Beware of slippery and wet areas (ice and snow) during the cold season (danger of slipping), and always ensure secure footing.
- Never use the pole hedge trimmer while standing on an unstable surface or a steep slope.
- Never use the pole hedge trimmer while standing on a ladder.
- Never climb a tree to use the pole hedge trimmer from the tree.
- Continuously check the working area for wires, cord, glass or other foreign objects that could get caught in the cutter blades.
- Confirm that the cutter blades are in rapid motion before starting to cut.
- Always grip the pole hedge trimmer with both hands and maintain a firm grip when working with the machine.
- To assure optimal control over the pole hedge trimmer, always completely wrap your hands around the handles (use your thumb for counter pressure) and apply a firm grip on the handles.
- Note that the cutter blades will remain in motion for up to two seconds after the throttle lever has been released.
- Do not cut with the pole hedge trimmer at low engine speed.
- The speed of the cutter blades cannot be adjusted properly with the throttle lever when the engine is running at low speed.
- To trim the top surface of a hedge, first align the cutting tool at an angle of 15°~30° in the cutting direction and keep the pole hedge trimmer in a horizontal position. Then start trimming the hedge using a swinging movement, much like drawing circle segments with the hedge trimmer shaft.
- To trim the sides of a hedge, align the blades parallel to the surface to be cut and start trimming with semi-circular upward (down-up) movements.
- Pay attention when trimming a hedge that has grown along a fence. Be especially careful not to allow the cutter blades from coming into contact with solid matter such as a metal fence. Cutting into solid matter such as metal, stone, concrete or thick wood may damage the blades and/or cause overall breakdown of the machine.
- Do not use the pole hedge trimmer over an extended period of time. As a general rule, for every 50 minutes of operation take a 10-20 minutes rest.
- If the cutter blades come into contact with stones or other solid objects, stop the engine immediately and check the blades for damage. Replace the blades if damaged.
- If the pole hedge cutter develops a problem during operation (strange noises, vibration, etc.), immediately stop the engine. Do not use the machine again until the problem has been recognized and solved.
- Always do your utmost to keep pollution and noise emissions as low as possible when operating the pole hedge trimmer. Pay special attention to correct carburetor adjustment and accurate gasoline/oil mixture.
- If thick branches get jammed in the cutter blades, immediately stop the engine, lay the equipment on the ground and remove the obstruction. Check the blades for damage before using the machine again.

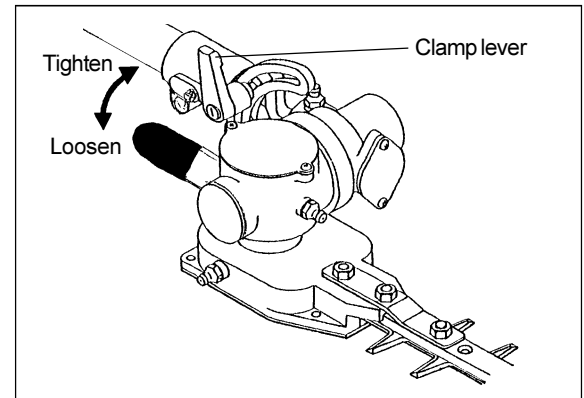
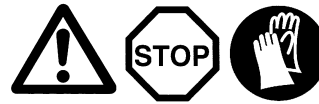


## Adjustment of cutting angle

1. Stop the pole hedge trimmer engine and lay the machine on the ground.
2. To adjust the angle of the cutter unit, loosen the clamp lever located at the top of the cutter unit by turning it counter-clockwise.
3. Adjust the angle of the cutter unit and turn the clamp lever clockwise to secure.
  - The cutter unit can be adjusted anywhere between 45° and 90°.

### Note:

- Do not adjust the cutter unit while the pole hedge trimmer is in an upright position.
- Move the I-O switch to the "O" position and lay the pole hedge trimmer flat on the ground to adjust the cutting angle.
- Always secure the blades with the blade cover provided before adjusting cutting angle.



## MAINTENANCE

- Before performing any maintenance work on the pole hedge cutter (blade cleaning, etc.), always stop the engine and wait until the engine has cooled down. As an additional safety precaution, also remove the spark plug cap.
- Do not try to straighten or weld a bent or broken cutting blade. Always replace damaged blades.
- Stop the engine at regular intervals to check the cutter blades for possible damage (perform a tapping-resonance test to detect hard-to-see hairline cracks). Always make sure that the teeth of the blades are sharp.
- Clean the pole hedge trimmer at regular intervals. During cleaning also check that all screws, nuts and bolts are well tightened.
- To reduce the risk of fire, never service or store the pole hedge trimmer in the vicinity of open fires.
- Always wear rugged protective gloves when handling the cutter blades.
- Contact your dealer for replacement cutter blades.



### Sharpening the blade

If the cutting blades have become blunt and cutting performance is poor, have the blades sharpened by an authorized service agent.

## Blade adjustments

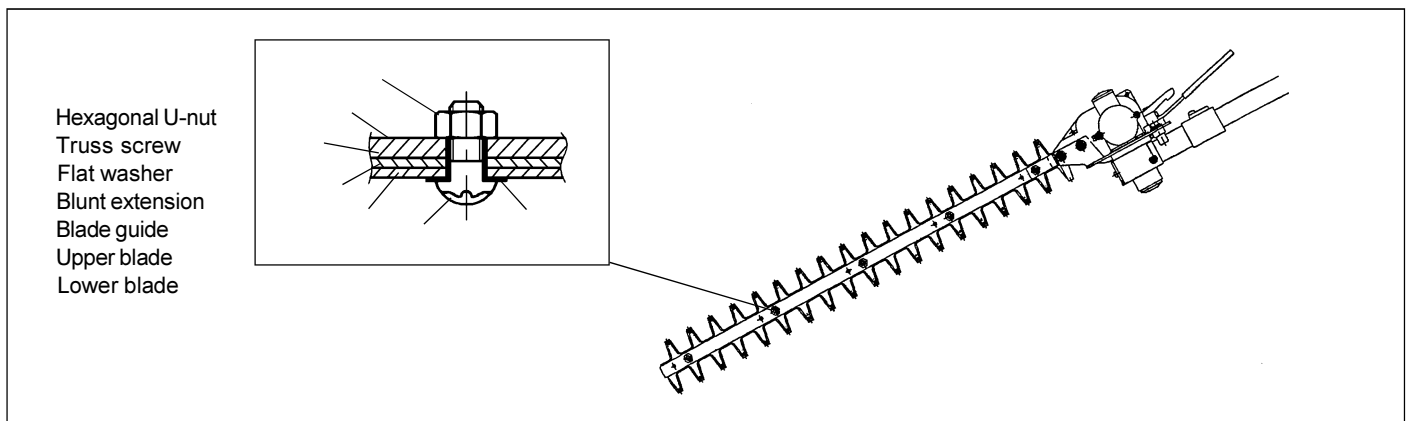


Extended use of the pole hedge trimmer will gradually wear down the blades. Readjust the blades if cutting performance deteriorates noticeably. For adjustment of the blades follow the instructions below.

1. Release nut .
2. Tighten screw lightly until resistance is felt. Then turn the screw in the opposite direction for a quarter or half turn.
3. Hold screw in place with a screwdriver and tighten nut .
4. After adjustment lubricate the blades with a thin film of light oil.
5. Start the engine and pull the throttle lever several times to set the blades in motion. Continue for approx. one minute.
6. Stop the engine and wait until the blades come to a standstill. Cautiously touch the blades with your bare hand. Adjustment is correct if the blades are warm, but not too hot to touch. If the blades are too hot to be touched, release screw for another quarter to half a turn and repeat steps 5~6 to confirm proper adjustment.

**NOTE:** Always stop the engine and remove the spark plug cap before adjusting the blades!

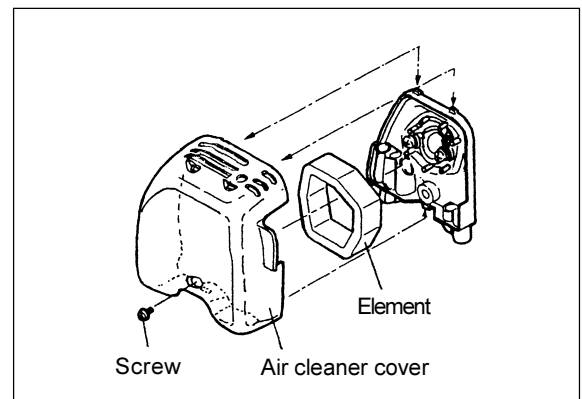
The blades have grooves around the truss screws . Always keep these grooves clean so that they can be inspected for possible damage.



## Cleaning the air cleaner - Every 8 hours (daily)

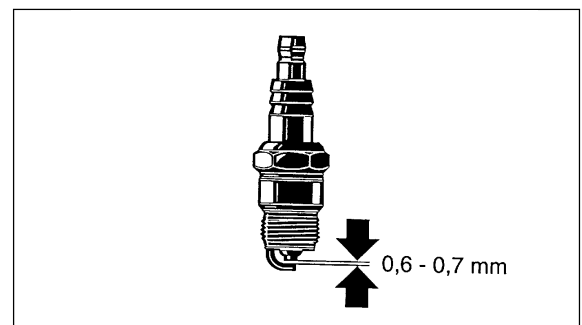
- Remove the air cleaner cover.
- Remove the sponge element. Wash the sponge element in lukewarm water and allow to dry completely.
- Replace the cleaned and dried sponge element and then replace the air cleaner cover.

**Note:** Clean the air cleaner on a daily basis. A clogged air cleaner may make it difficult or impossible to start and/or accelerate the engine.



## Checking the spark plug - Every 8 hours (daily)

- Only use the universal wrench provided to remove and replace the spark plug.
- The spark plug gap should be 0.6~0.7 mm. Adjust the spark plug gap if it is too wide or too narrow. Clean or replace the spark plug if contaminated and/or clogged with carbon residue. Always replace with the same type of spark plug.

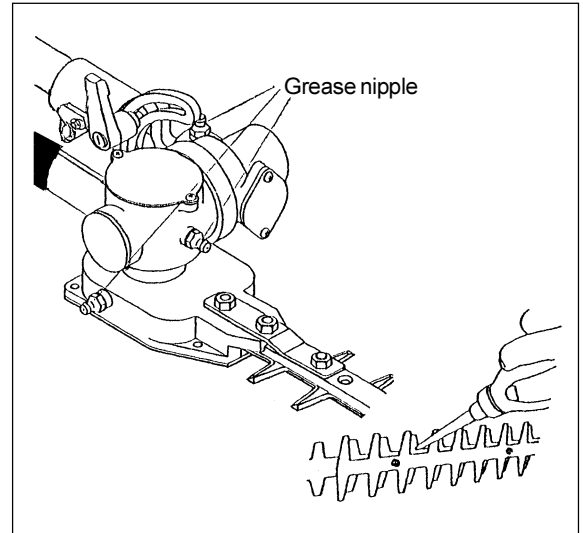




### Adding grease and lubricant

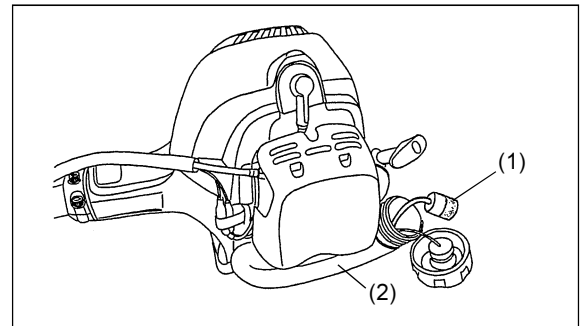
- The gearbox of the pole hedge trimmer should be greased every 20 working hours. Add approx. 10cc of lubricant (Shell Alvania No. 3 or equivalent) to the gearbox via the grease nipples. (Some grease will emerge from the head of the gearbox (located at the base of the blade) when the pole hedge trimmer is set in motion the first time after greasing. Use this as a rough indicator for the amount of grease to supply.)

**Note:** Observe greasing intervals and the amount of grease to be supplied. Mechanical parts of the pole hedge trimmer may be damaged if grease is not supplied at the prescribed intervals or if an insufficient amount of grease is added.



### Fuel tank filter

- The inside of the fuel tank is equipped with a filter (1) that cleans the fuel before it enters the carburetor.
- Visually check the filter at regular intervals. To do so, use a piece of wire formed into a hook and draw the filter out of the tank (2). Replace the filter if it is hardened, clogged up, or excessively contaminated.
- Inadequate fuel supply as a result of a deteriorated fuel filter may result in poor engine performance. In order to ensure that the required amount of fuel enters the carburetor, replace the fuel filter whenever in doubt of its condition.



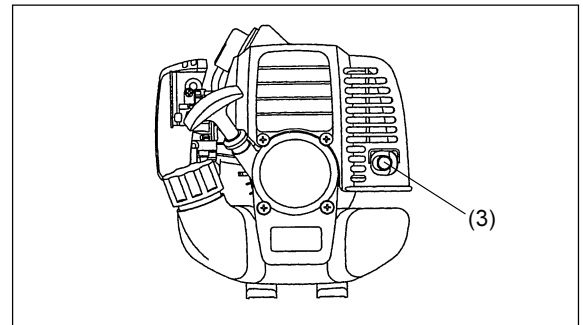
### Cleaning the muffler outlet

- Check the condition of the muffler outlet (3) at regular intervals.
- Use a suitable tool to remove excessive carbon residue that accumulates around the muffler outlet. Take special care to prevent removed carbon residue from entering engine parts.

### Cleaning the spark arrester

- The spark arrester should be cleaned every 50 working hours.
- Have the spark arrester cleaned at your dealership or by an authorized service agent.

For all maintenance work not mentioned in this instruction manual, please contact your dealership or an authorized service agent.



### Daily inspection and maintenance

To ensure a long service life of your pole hedge trimmer, perform the following inspections and maintenance on a daily basis.

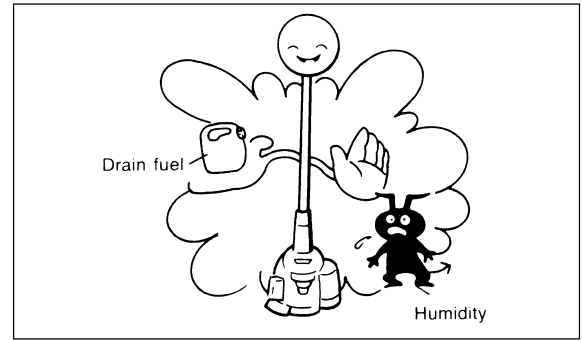
- Always check for loose or missing parts before starting operation. Pay special attention to the cutting unit and make sure that the cutter blade lock screws are well tightened.
- Check for clogging of the cooling air passages and the cooling fins of the cylinder before starting operation. Clean if necessary.
- Each day after using the pole hedge trimmer perform the following.
  - Clean the outside of the pole hedge trimmer; check for damage and loose parts.
  - Clean the air filter. Clean the filter several times a day if working in extremely dusty conditions.
  - Check the cutter blades for damage. Make sure that the blades are securely mounted.



## STORAGE

If the pole hedge trimmer is to be stored for an extended period of time, proceed as follows:

- Drain all fuel from the tank and carburetor.
- Remove the spark plug and add a few drops of two-stroke oil through the spark plug hole. Gently pull out the starter rope to ensure that the oil is evenly distributed inside the engine. Replace and tighten the spark plug.
- Clean the entire pole hedge trimmer and apply a thin layer of oil to the metallic surfaces of the machine. Secure and protect the blades with the blade cover provided. Store the pole hedge trimmer in location that is free of humidity.



## MAINTENANCE SCHEDULE

General	Engine Screws, nuts, bolts	Check general condition and safety Visually check for damage Confirm that screws, nuts and bolts are secure
After refueling	Throttle lever Lock-off lever STOP switch	Check functioning Check functioning Check functioning
Daily	Air filter Cooling air duct Cutting tool Idling	Clean Clean Check for damage, confirm sharp Confirm that the cutter blades are not in motion
Every 20 hours	Gearbox	Add grease
Weekly	Spark plug Muffler	Check, replace if necessary Check, clean outlet if necessary
Quarter annually	Fuel filter Fuel tank	Clean or replace, if necessary Clean inside
Before extended storage	Fuel tank Carburetor	Drain tank Keep engine running until fuel runs out

## TROUBLESHOOTING

Problem	System	Observation	Cause
Engine does not start or difficulty starting	Ignition	Ignition spark is present	Problem with fuel supply or compression system, mechanical defect
		No ignition spark	STOP switch in OFF-position, broken wire, defective spark plug or connector, defective ignition module
	Fuel supply	Fuel available	Wrong choke setting, defective carburetor, fuel filter contaminated, broken or bent fuel hose
	Compression	Inside engine	Defective cylinder gasket, damaged crankshaft seals, defective piston and/or cylinder rings
Outside engine		Loose spark plug	
Warm start problems	Mechanical	Starter not functional	Defective starter spring, mechanical defect inside engine
		Fuel available Ignition functioning	Carburetor contaminated (have carburetor cleaned)
Engine starts but stalls immediately	Fuel supply	Fuel available	Incorrect idling adjustment, carburetor or fuel filter contaminated  Defective fuel tank vent, broken fuel hose, defective STOP switch (loose contact, etc.)
Poor performance	Several systems may be affected simultaneously	Engine idling	Contaminated air filter, carburetor contaminated, clogged muffler, clogged cylinder exhaust duct

Nous vous remercions pour l'achat de la Taille haie à Rallonge MAKITA. Nous sommes heureux de pouvoir vous offrir un produit qui est le fruit d'un programme de développement intensif et de plusieurs années de savoir et d'expérience. Prière de lire entièrement ce manuel avant d'utiliser l'appareil et de suivre les instructions données afin d'obtenir le meilleur résultat et le bon fonctionnement de la Taille haie à Rallonge MAKITA.



**Table des matières**

Symboles	18
Consignes de sécurité	19~22
Spécifications	23
Nomenclature	24
Raccordement de la taille haie à la rallonge	25
Montage de la poignée	25
Utilisation de la bandoulière	25
Alimentation en carburant	26
Précautions avant démarrage du moteur	27
Démarrage du moteur	27
Arrêt du moteur	28
Vérification et réglage de la vitesse de marche à vide	28
Fonctionnement de la taille haie à rallonge	29~30
Entretien	30~32
Remisage	33
Programme d'entretien	33
Dépannage	33

**SYMBOLES**

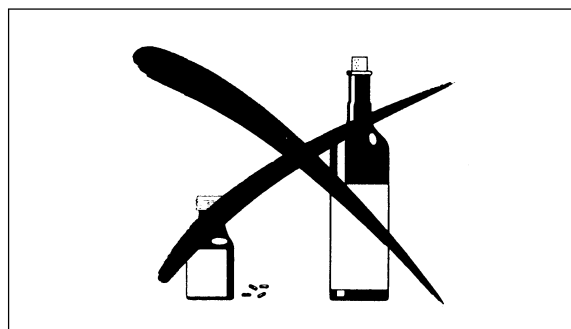
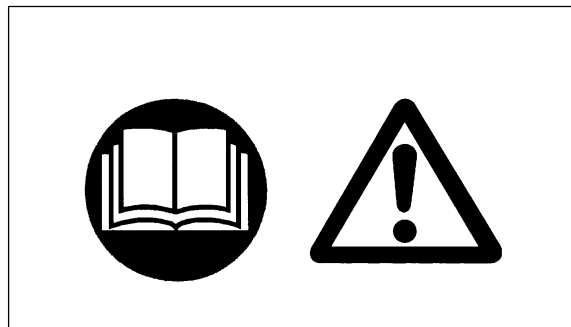
Prière de noter les symboles suivants en lisant le manuel d'instructions.

	AVERTISSEMENT/DANGER		Faire attention à ne pas se faire pincer
	Avant toute utilisation, lire attentivement et comprendre les instructions dans ce manuel.		Faire attention aux lignes électriques, risque d'électrocution
	INTERDICTION		Essence/ mélange de carburant
	Interdit de fumer		Démarrage manuel du moteur
	Pas de flamme nue		Arrêt d'urgence
	Port de chaussures de protection		Premiers secours
	Port de gants de protection		Recyclage
	Maintenir toute personne et tout animal à l'écart de la zone de travail		On/Démarrage
		○	Off/Arrêt
	Porter un casque de protection et des protections visuelles et auditives	CE	Logo CE

# CONSIGNES DE SÉCURITÉ

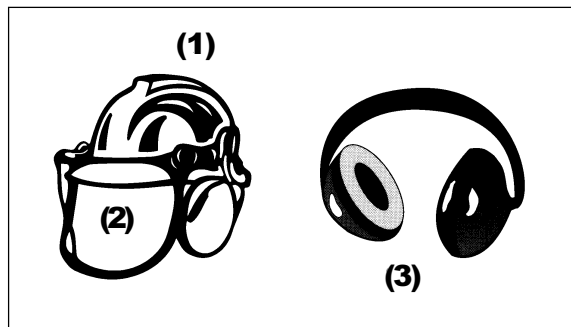
## Instructions générales

- Avant d'utiliser la machine, l'utilisateur doit lire ce manuel d'instructions afin de se familiariser avec la manipulation de la taille haie à rallonge. **CET APPAREIL PEUT CAUSER DES BLESSURES GRAVES S'IL N'EST PAS CORRECTEMENT UTILISÉ !**
- Il faut toujours donner des instructions détaillées sur l'utilisation de la taille haie à rallonge avant de la prêter à une autre personne. S'assurer de leur remettre le manuel d'instructions avec la machine.
- Les utilisateurs novices doivent demander au revendeur de leur expliquer les instructions de base pour la manipulation de la taille haie à rallonge.
- Ranger le manuel dans un endroit facilement accessible en cas de besoin.
- Les jeunes gens de moins de 18 ans ne doivent pas être autorisés à utiliser la taille haie à rallonge. Cependant, les jeunes de plus de 16 ans peuvent apprendre à utiliser la machine sous la surveillance d'un adulte expérimenté dans l'utilisation de la taille haie à rallonge.
- Utiliser la taille haie à rallonge avec le plus de soin et d'attention possibles.
- Il y a un risque de blessures graves si la taille haie à rallonge est utilisée dans les circonstances suivantes. Ne pas utiliser la taille haie à rallonge :
  - En cas de maladie ou de fatigue.
  - Après absorption d'alcool et/ou de médicaments.
  - La nuit ou dans de mauvaises conditions d'éclairage.
  - En cas de grossesse.



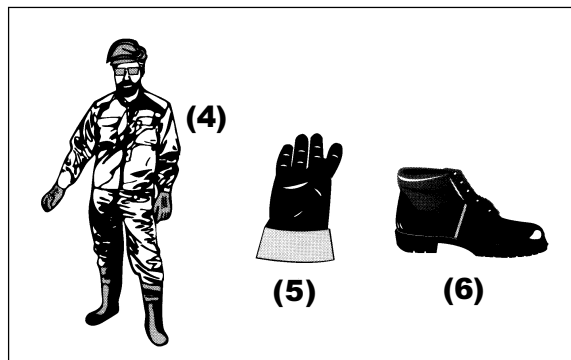
## Application

- La taille haie à rallonge est destinée uniquement à couper les haies et les buissons avec des branches d'un diamètre maximum de 6 mm. La machine ne doit jamais être utilisée pour autre chose.



## Équipement personnel de protection

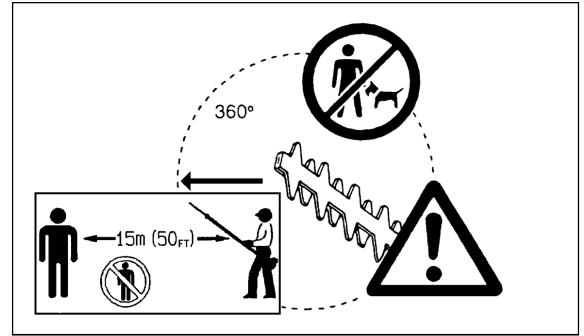
- Les vêtements doivent être fonctionnels et adaptés, ils doivent par exemple être serrés sans toutefois entraver les mouvements. Ne pas porter de bijoux ou de vêtements qui risquent de s'accrocher dans les buissons ou la machine.
- Porter l'équipement et les vêtements de protection suivants lors de l'utilisation de la taille haie à rallonge pour éviter tout risque de blessures à la tête, aux yeux, aux mains ou aux pieds et pour protéger son ouïe.
- Pour se protéger la tête et les yeux, porter toujours un casque de protection (1) avec des lunettes ou une visière (2).
- Porter toujours un équipement de protection contre le bruit approprié pour éviter une détérioration de l'ouïe (3).
- Il est vivement conseillé de porter une combinaison de travail (4).
- Porter toujours des gants de travail (5) en cuir épais lors de l'utilisation de la taille haie.
- Lors de l'utilisation de la taille haie, il faut toujours porter des chaussures solides munies d'une semelle antidérapante. Les chaussures spécial travail permettent d'éviter tout risque de blessure et de déséquilibre.



### Démarrage de la taille haie à rallonge

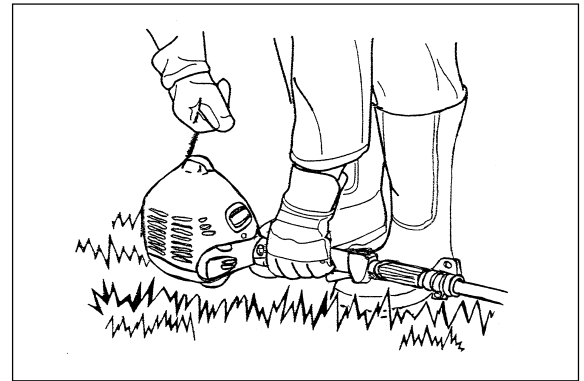
- Il faut toujours aménager une zone de sécurité de 15 mètres autour de la zone de travail. S'assurer qu'aucune autre personne (en particulier les enfants) et/ou qu'aucun animal ne se trouve dans la zone de travail. Éviter, en général, d'utiliser la taille haie si des personnes (et en particulier des enfants) se trouvent à proximité.
- Vérifier toujours que la taille haie peut fonctionner en toute sécurité avant de la démarrer.
- Vérifier le fonctionnement du mécanisme de sécurité du levier des gaz. Le levier de déverrouillage doit pouvoir être actionné facilement. Le vérifier. Vérifier que les poignées sont propres et sèches et essayer le bouton d'arrêt STOP pour voir s'il fonctionne correctement.

Mettre la taille haie en marche en appliquant strictement les instructions données dans ce manuel.



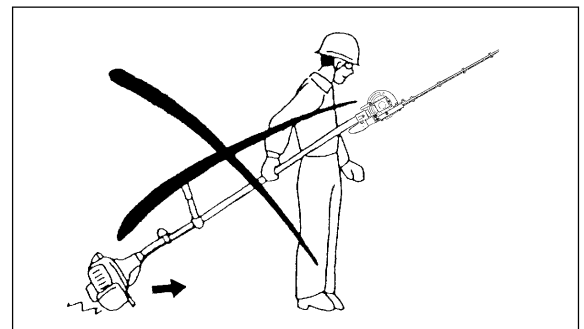
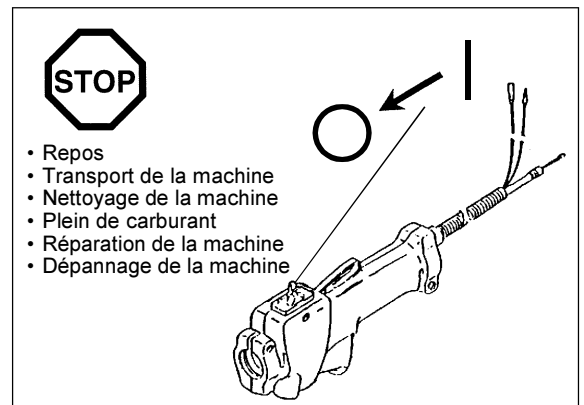
### Suivre les instructions ci-dessous pour démarrer la taille haie à rallonge

- Ne démarrer la taille haie qu'une fois entièrement montée et tous les accessoires fixés.
- Avant de démarrer le moteur, s'assurer que l'outil de coupe n'est pas en contact avec des objets durs tels que des branches ou des pierres.
- Arrêter immédiatement le moteur en cas de problèmes.
- Tenir toujours la taille haie des deux mains lors du fonctionnement. Mettre les doigts bien autour de chaque poignée et serrant le pouce et l'index. Pour garder le contrôle de la taille haie, éviter de changer la poignée de main pendant l'utilisation. Vérifier que les poignées sont en bonne condition sans humidité, ni terre, huile ou graisse.



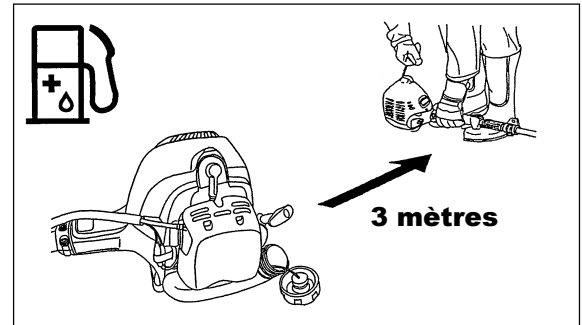
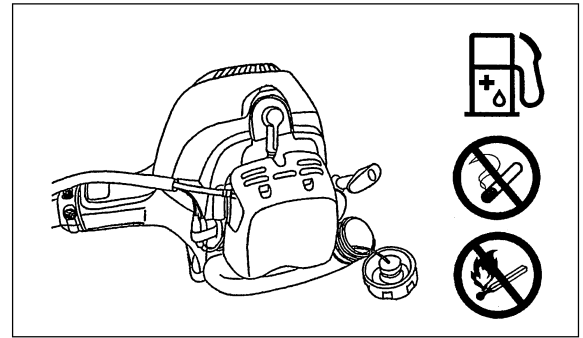
### Assurer toujours une position équilibrée des pieds

- Utiliser la taille haie uniquement à l'extérieur.
- Arrêter toujours le moteur immédiatement et ne plus utiliser la machine en cas de problème ou si elle émet un bruit étrange.
- Les gaz d'échappement sont toxiques. Ne jamais utiliser la machine dans un endroit clos ou dans un tunnel sans ventilation (risque d'asphyxie et d'intoxication). Noter que le gaz carbonique est sans odeur. Vérifier que les endroits où la machine est utilisée est bien ventilé.
- Arrêter le moteur pour se reposer ou lorsque la taille haie est sans surveillance. Placer l'appareil dans un endroit sûr loin de tout produit combustible.
- Ne jamais placer la taille haie chaude sur du gazon sec ou un produit combustible.
- Pour réduire le risque d'incendie, garder le moteur et le pot d'échappement libre de tout débris ou feuilles et sans excès de lubrifiant.
- Ne jamais utiliser le moteur si le pot d'échappement ne fonctionne pas.
- Arrêter le moteur avant le transport.
- Arrêter toujours le moteur dans les conditions suivantes :
  - Repos
  - Transport de la machine
  - Nettoyage de la machine
  - Plein de carburant
  - Réparation de la machine
  - Dépannage de la machine
- Lors du transport de la taille haie dans un véhicule, bien l'attacher pour éviter toute fuite de carburant résiduel.
- Vider toujours le réservoir de carburant avant de transporter la taille haie dans un véhicule.
- En déchargeant la machine d'un véhicule, faire attention à ne pas la faire tomber sur le sol ce qui risque d'endommager sérieusement le réservoir de carburant.
- Sauf en cas d'urgence, ne jamais laisser tomber la taille haie au risque de l'endommager.
- Pour transporter la taille haie, la soulever complètement du sol. Ne jamais tirer le moteur sur le sol au risque d'endommager le réservoir de carburant et de provoquer un incendie.
- Utiliser toujours le couvercle de la lame de coupe fourni pour protéger et fixer la section de coupe de la taille haie lors du transport ou du rangement.



## Ravitaillement

- Arrêter le moteur avant le ravitaillement en carburant.
- Pendant le ravitaillement, se tenir à l'écart des flammes nues.
- Ne pas fumer pendant le ravitaillement.
- Laisser le moteur refroidir avant d'effectuer le ravitaillement.
- Faire attention à ne pas laisser la peau en contact avec les produits pétroliers. Ne pas inhaler les vapeurs de carburant et porter toujours des gants de protection lors du ravitaillement. Changer et nettoyer régulièrement les vêtements de protection.
- Faire très attention à ne pas renverser le carburant et l'huile sur le sol pour ne pas le contaminer (protection de l'environnement). Si le carburant ou l'huile vient à se renverser dans la taille haie, essuyer immédiatement la surface avec un chiffon. Pour éviter une combustion spontanée, laisser sécher suffisamment les chiffons avant de les jeter dans un récipient approprié et couvert.
- Faire attention à ne pas salir les vêtements avec le carburant. Changer immédiatement de vêtements s'ils sont contaminés par le carburant (risque d'incendie).
- Fermer le réservoir de carburant et serrer le bouchon. Pour redémarrer le moteur, déplacer la taille haie à 3 mètres de l'endroit de ravitaillement.
- Vérifier le bouchon du réservoir de carburant à intervalles réguliers pour s'assurer qu'il est bien fermé.
- Ne jamais ravitailler la machine dans un endroit clos. Les vapeurs de carburant s'accumulent au niveau du sol (risque d'explosion).
- Ranger le carburant dans des récipients adéquats uniquement et s'assurer qu'ils sont hors de portée des enfants.
- Pour éviter d'endommager les lignes de carburant et les pièces du moteur, éviter d'utiliser du carburant contenant de l'éthanol ou du méthanol (types d'alcool) lors du mélange de carburant avec de l'huile à moteur à deux cycles.



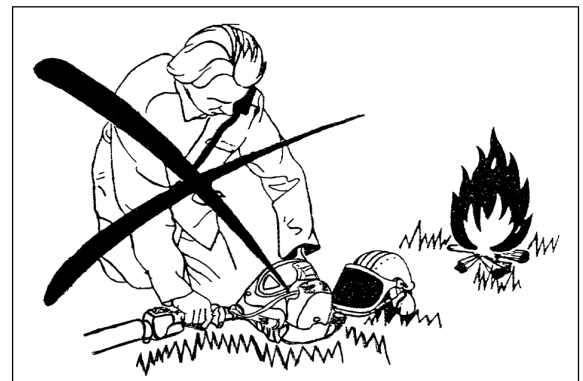
## Fonctionnement

- Pendant le fonctionnement, tenir toujours la taille haie avec les deux mains.
- Utiliser la taille haie seulement dans des conditions de bonne visibilité et de lumière adéquate. Faire attention aux endroits glissants et mouillés (verglas et neige) pendant la saison froide (danger de glissade) et assurer toujours une bonne stabilité sur les pieds.
- Ne jamais utiliser la taille haie en se tenant sur une surface instable ou une pente.
- Ne jamais utiliser la taille haie en se tenant sur une échelle.
- Ne jamais grimper sur un arbre pour utiliser la taille haie.
- Pour éviter de basculer ou de tomber sur des objets, ne jamais marcher à reculons en travaillant avec la taille haie.
- Arrêter toujours le moteur avant le nettoyage et la réparation de la machine. Éviter de remplacer des pièces alors que le moteur est encore en marche.
- Ne pas utiliser la taille haie si la lame de coupe est endommagée ou cassée.



## Instructions d'entretien

- Faire très attention à maintenir la pollution et les émissions de bruit aussi bas que possible lors de l'utilisation de la taille haie. Faire attention à régler en particulier le carburateur.
- Régler périodiquement la taille haie à rallonge et vérifier régulièrement si tous les boulons et les vis sont fermement serrés.
- Ne jamais réparer ou ranger la taille haie à proximité de flammes nues, bougies ou autres.
- Vider le réservoir de carburant avant de ranger la machine dans un endroit bien ventilé et fermant à clé. -Faire attention à toujours garder la taille haie hors de portée des enfants.
- Pour éviter tout dommage et/ou accident, ne pas faire réparer la machine par une personne non qualifiée. Pour la réparation, s'adresser toujours au revendeur ou à un réparateur agréé.



Ne pas tenter de modifier ou de remodeler la taille haie au risque de rendre son utilisation dangereuse.

Le travail d'entretien pouvant être effectué par l'utilisateur est limité aux activités décrites dans le manuel d'instructions. Toute autre procédure doit être effectuée par un réparateur agréé.

Utiliser uniquement les pièces de rechange et les accessoires d'origine fournis par MAKITA via des centres après-vente agréés.

L'utilisation d'accessoires et d'outils non autorisés augmente le risque d'accident et de blessure.

MAKITA n'assume aucune responsabilité en cas d'accident ou de dommage suite à l'utilisation de pièces et d'accessoires non autorisés.

#### Premier secours

Vérifier qu'une boîte de premier secours est toujours disponible à proximité du lieu de travail par précaution.

Remplacer immédiatement tout article prélevé dans la boîte de premier secours.

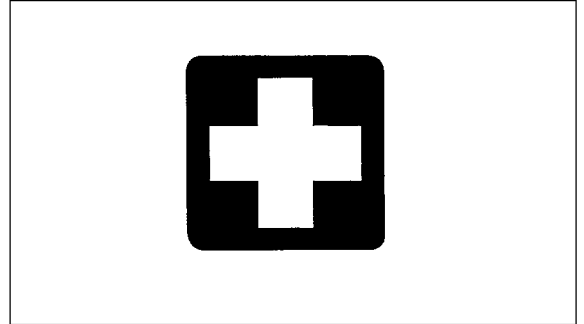
#### En demandant du secours en cas d'urgence, indiquer les informations suivantes :

- Le lieu de l'accident
- Description de l'accident
- Le nombre de personnes blessées
- Le type de blessures
- Votre nom

#### Emballage

La Taille haie à Rallonge est livrée dans un carton de protection afin d'éviter tout dommage au cours du transport.

Le carton est une matière première réutilisable ou recyclable (recyclage des vieux papiers).



## DECLARATION DE CONFORMITE CE

#### Modèle : PTR2500

Nous prenons la responsabilité pour déclarer que le présent produit est conforme aux normes suivantes énoncées aux documents ISO11806, EN774, ISO11680, EN55012 conformément aux Directives du Conseil, 89/392/CEE, 98/37/CEE, 93/68/CEE, 89/336/CEE modifiées et 92/31/CEE modifiée.

Niveau sonore mesuré : 106 dB

Niveau sonore garanti : 108 dB

Niveaux sonores mesurés conformément à la Directive du Conseil, 2000/14/CE.

Procédure d'évaluation de conformité FAnnexe V

CE2007

Tomoyasu Kato  
Directeur

Producteur responsable:

**Makita Corporation.**

3-11-8, Sumiyoshi-cho, Anjo, Aichi, JAPAN

Représentant autorisé en Europe:

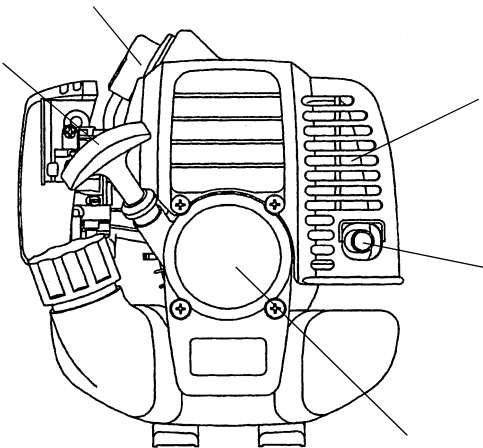
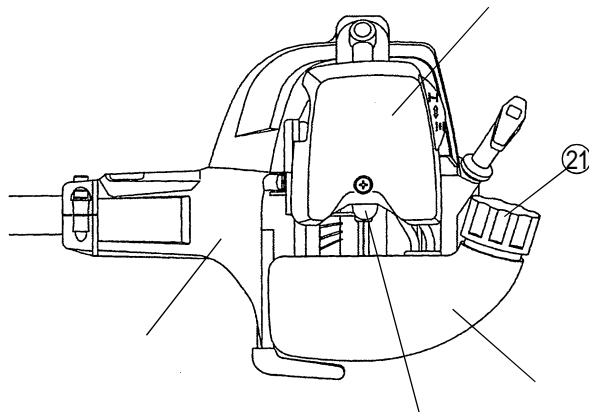
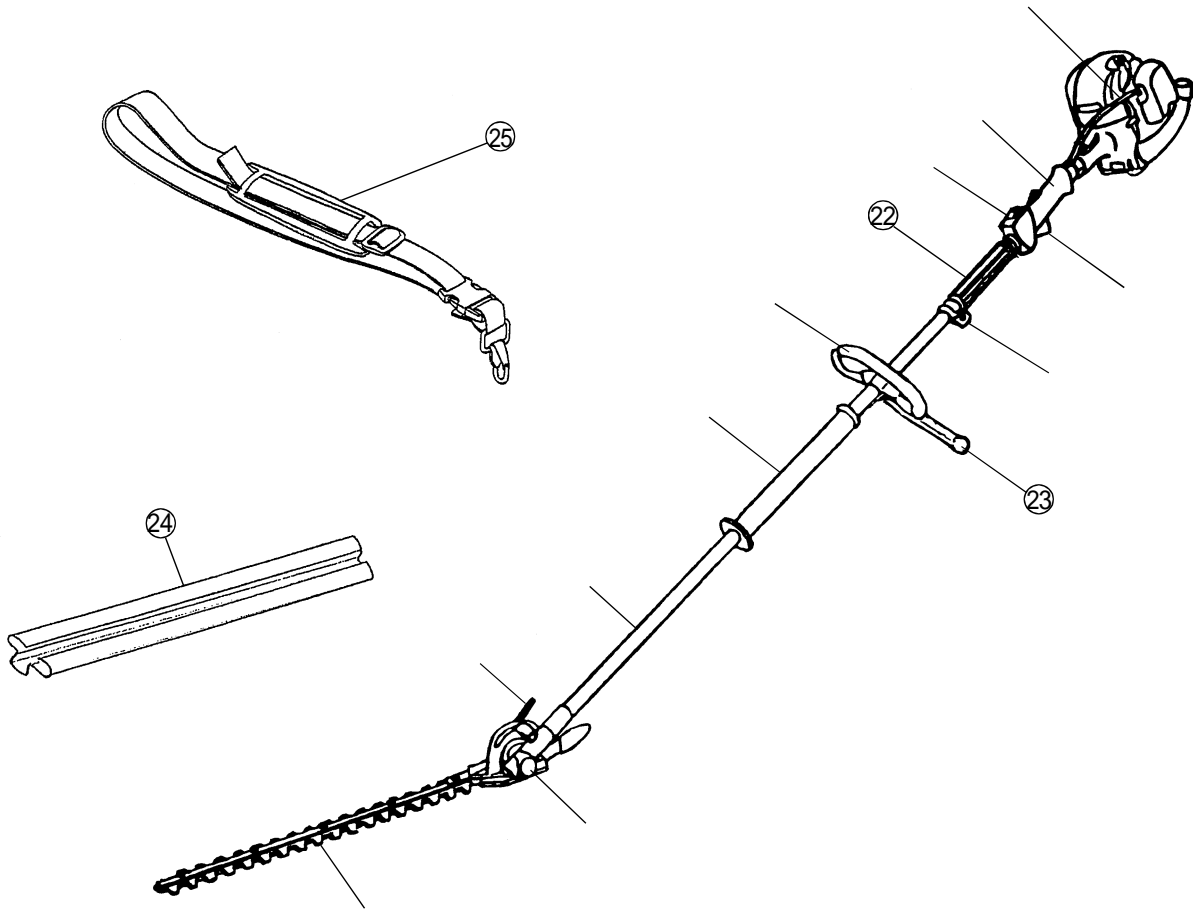
**Makita International Europe Ltd.**

Michigan Drive, Tongwell, Milton Keynes, Bucks MK15 8JD, ENGLAND

## SPÉCIFICATIONS : PTR2500

Modèle		PTR2500		
		Poignée et manche		
Dimensions (L x P x H)	mm	2400 x 350 x 220		
Poids	kg	6.1		
Volume (réservoir de carburant)	L	0.65		
Longueur de coupe	mm	535		
Cylindrée du moteur	cm <sup>3</sup>	24.5		
Puissance maximale du moteur		0.75 kW à 7000 min <sup>-1</sup>		
Vitesse du moteur A vitesse max. recommandée	min <sup>-1</sup>	10,000		
Consommation de carburant	kg/h	0.54		
Consommation de carburant spécifique	g/kWh	735		
Vitesse de marche à vide	min <sup>-1</sup>	3000		
Vitesse d'embrayage	min <sup>-1</sup>	4100		
Carburateur (Carburateur diaphragme)	type	WALBRO WYJ		
Système d'allumage	type	Allumage monolithique		
Bougie d'allumage	type	NGK BMR7A		
Ecartement des électrodes	mm	0.6-0.7		
Vibration par ISO7916	Poignée de droite (manche arrière)	Ralenti	m/s <sup>2</sup>	3.63
		Emballement	m/s <sup>2</sup>	8.01
	Poignée de gauche (poignée)	Ralenti	m/s <sup>2</sup>	7.24
		Emballement	m/s <sup>2</sup>	12.00
	Poignée de gauche (manche avant)	Ralenti	m/s <sup>2</sup>	4.74
		Emballement	m/s <sup>2</sup>	8.44
Vibration par ISO11680	Poignée de droite (manche arrière)	Ralenti	m/s <sup>2</sup>	4.41
		Emballement	m/s <sup>2</sup>	7.81
	Poignée de gauche (poignée)	Ralenti	m/s <sup>2</sup>	11.76
		Emballement	m/s <sup>2</sup>	13.65
	Poignée de gauche (manche avant)	Ralenti	m/s <sup>2</sup>	4.36
		Emballement	m/s <sup>2</sup>	8.23
Moyenne de niveau de pression de son		ISO7917	dB (A)	90.0
Moyenne de niveau de puissance de son		ISO10884	dB (A)	102.8
Mélange (carburant:huile 2 temps MAKITA)				50:1
Rapport d'engrenage				1/4

# NOMENCLATURE



Nomenclature	
1	Réservoir de carburant
2	Démarreur de retour
3	Epurateur d'air
4	Interrupteur I-O (ON/OFF)
5	Bougie d'allumage
6	Silencieux
7	Carter d'embrayage
8	Manche arrière
9	Anneau d'accrochage
10	Poignée
11	Levier d'étrangleur
12	Câble d'étrangleur
13	Axe
14	Lames de coupe
15	Manche avant
16	Bouton du démarrage
17	Pompe de démarrage
18	Boîte de vitesses
19	Pot d'échappement
20	Levier de serrage
21	Bouchon du réservoir de carburant
22	Collier d'espacement
23	Barrière
24	Cache lame
25	Bandoulière



## RACCORDEMENT DE LA TAILLE-HAIE À LA RALLONGE

### Important:

S'assurer que le moteur est arrêté et retirer le cache de la bougie d'allumage avant d'assembler la taille haie à rallonge.

Porter des gants de protection!

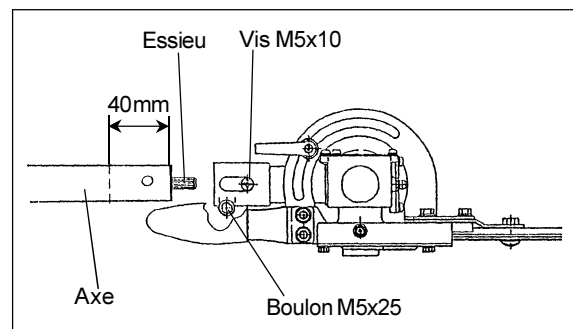
Couvrir les lames avec le cache lors du raccordement de la taille haie à la rallonge.

- Desserrer la vis M5x10 et le boulon M5x25.
- Insérer l'axe dans la boîte à vitesses.

Remarque: S'assurer que l'axe est complètement inséré dans la boîte à vitesses (environ 40 mm/1.57").

En cas de problème pour insérer l'axe, tourner manuellement l'essieu de commande et essayer de nouveau.

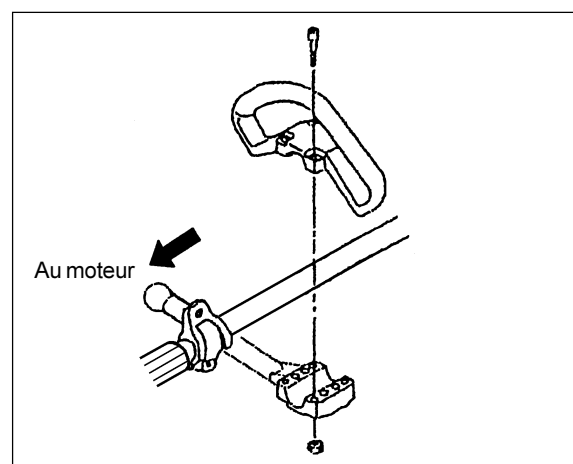
- Confirmer que l'axe est correctement inséré, puis serrer la vis M5x10 et le boulon M5x25.



## FIXATION DE LA POIGNÉE

- Fixer la barrière de protection avec la poignée de façon à ce qu'elle dépasse vers la gauche tel qu'observé de la position d'utilisation.

- S'assurer de ne pas régler la poignée trop près du manche de commande (utiliser le collier d'espacement fourni pour cet effet).



## UTILISATION DE LA BANDOULIÈRE

### Comment porter la bandoulière

- Porter la bandoulière sur l'épaule gauche.
- Tenir la taille haie à rallonge du côté droit du corps.
- Fixer la bandoulière à l'attache sur la taille haie, puis régler la longueur de la bandoulière afin d'avoir une position de travail confortable.

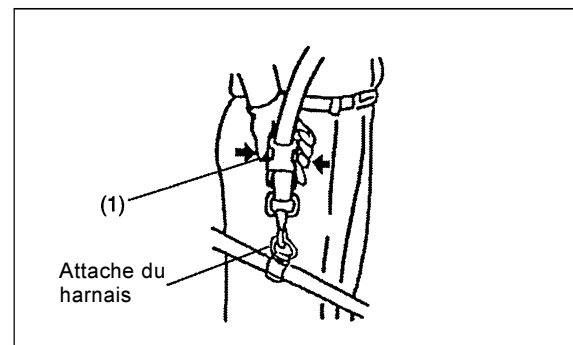


### Retrait

- En cas d'urgence, poussez les entailles (1) sur les deux côtés, et vous pouvez détacher la machine de vous.

Etre extrêmement prudent pour garder le contrôle de la machine lors de cette opération. Ne pas laisser la machine dévier dans votre direction ou vers toute autre personne se trouvant à proximité de la zone de travail.

AVERTISSEMENT: La non-observation de cette précaution peut se traduire par de blessures corporelles graves ou la MORT.



# ALIMENTATION EN CARBURANT



## Mélange carburant /huile

- Le moteur de la taille haie à rallonge est un moteur à deux temps très puissant qui fonctionne avec un mélange de carburant et d'huile moteur à deux temps. Le moteur est conçu pour marcher avec du carburant ordinaire sans plomb avec une valeur minimale d'octane de 91ROZ. Si ce genre de carburant n'est pas disponible, utiliser le carburant avec la valeur d'octane la plus élevée disponible. Ceci n'endommagera pas le moteur, mais ses performances seront réduites. Il en est de même pour le carburant avec plomb. Pour obtenir les performances optimales et pour la protection de la santé publique et de l'environnement, utiliser tant que possible du carburant sans plomb.
- De l'huile moteur à deux temps (niveau de qualité : TSC-3) doit être ajoutée au carburant pour lubrifier le moteur. Le moteur est conçu pour utiliser l'huile à deux temps MAKITA écologique, à mélanger à un pourcentage de 50 : 1. Cette huile spécialement développée assure une longue durée de vie et les meilleures performances pour le moteur avec le minimum d'échappement de gaz. Il est impératif de respecter le mélange 50 : 1 (Carburant / huile à deux temps MAKITA) afin d'obtenir une bonne performance de la taille haie.
- Mélange carburant/huile correct:  
Mélanger 50 parts de carburant à une part d'huile moteur à deux temps MAKITA (voir aussi le tableau à droite).

Remarque: Lors de la préparation du mélange carburant/huile, mélanger d'abord toute la quantité nécessaire d'huile avec la moitié de carburant. Ajouter l'autre moitié de carburant et mélanger avant de remplir le réservoir.  
Ne pas ajouter plus d'huile que décrit. S'il y a trop d'huile, plus de résidu de combustion est produit, ce qui pollue l'environnement et bouche les conduits du silencieux et du cylindre. De plus, la consommation de carburant augmente et les performances de la machine diminuent.

## Manipulation des produits pétroliers

Manipuler le carburant le plus de précaution possible. Le carburant contient des substances similaires aux solvants, par conséquent le ravitaillement doit se faire à l'extérieur ou dans un endroit bien ventilé. Ne pas inhaler les vapeurs de carburant et éviter tout contact du carburant ou de l'huile avec la peau. La peau devient sèche si elle est en contact prolongé avec des produits pétroliers. Ceci peut provoquer des maladies de peau et des réactions allergiques.  
Le carburant ou l'huile risquent de provoquer des irritations graves en contact avec les yeux. Si le cas se produit, rincer immédiatement les yeux avec une grande quantité d'eau fraîche. Ne pas hésiter à contacter un médecin si l'irritation persiste.

## Ravitaillement

### Le moteur doit être coupé!

- Nettoyer soigneusement la zone entourant le bouchon de remplissage de carburant (2) afin d'empêcher que la saleté ne s'introduise dans le réservoir de carburant (1).
- Dévisser le bouchon de remplissage de carburant (2) et remplir le réservoir de carburant.
- Revisser fermement le bouchon de remplissage de carburant (2).
- Nettoyer le bouchon de remplissage de carburant fileté (2) et le réservoir après le ravitaillement!

## Stockage du carburant

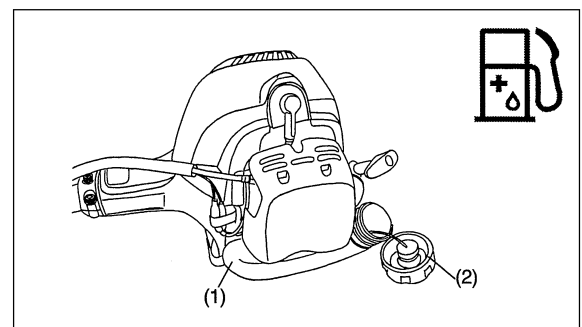
- Le carburant se détériore s'il est stocké pendant longtemps.
- Acheter la quantité de carburant nécessaire pour une période de 4 semaines.
- Utiliser les récipients de carburant appropriés.



Observer les instructions de sécurité à la page 21



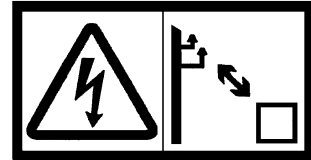
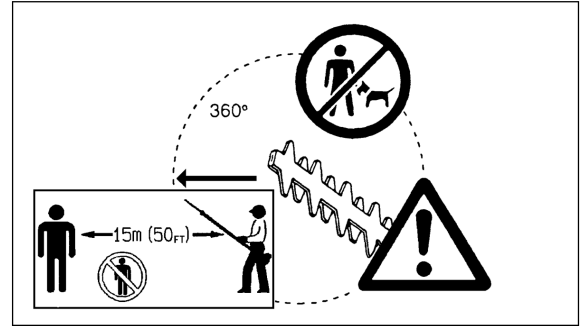
Carburant		Huile
	+	
1000mL (1L) 5000mL (5L) 10000mL (10L)		20mL 100mL 200mL



## PRÉCAUTIONS AVANT LE DÉMARRAGE DU MOTEUR



- Laisser toujours une zone de sécurité de 15 mètres autour de la zone de travail. S'assurer que toutes les personnes (en particulier les enfants) et/ou les animaux se trouvent en dehors de cette zone.
- Avant d'utiliser la taille haie à rallonge, s'assurer qu'elle est en bonne condition de travail. Vérifier que les lames de coupe ne sont pas endommagées et que le levier d'étrangleur peut être actionné facilement. Vérifier que les lames de coupe ne sont pas en mouvement lorsque le moteur est en marche à vide. Si la machine ne fonctionne pas correctement, contacter le revendeur pour la régler. Vérifier que les poignées sont propres et sèches et que l'interrupteur I-O fonctionne correctement. Démarrer le moteur selon les instructions données dans le manuel. Ne pas utiliser d'autre méthode pour démarrer la taille haie (voir « Démarrage du moteur »).
- Ne démarrer le moteur de la taille haie à rallonge qu'après avoir lu et compris les instructions. Ne jamais tenter de démarrer une taille-haies qui n'est pas entièrement montée. Il y a un grand risque de blessures.
- Avant de démarrer le moteur, s'assurer que les lames de coupe ne sont pas bouchées par des cailloux, branches ou tout autre objet solide.
- Vérifier la zone de travail pour tout fil, cordon, morceau de verre ou objet étranger qui risquent de s'attraper dans les lames de coupe.
- Electrocutation : Faire attention aux lignes électriques aux alentours. Vérifier toute la zone de travail pour la présence de lignes électriques ou de clôture électrique avant de commencer le travail.



## DÉMARRAGE DU MOTEUR



Si la machine vient d'être alimentée en carburant, se déplacer d'environ 3 mètres de l'endroit de ravitaillement. Placer la taille haie à rallonge sur le sol dans un endroit raisonnablement propre et s'assurer que les lames de coupe ne touchent pas le sol ou tout autre objet solide.

**Démarrage à froid** (moteur froid / arrêt du moteur pendant plus de 5 minutes / Après ravitaillement)

1. Déplacer l'interrupteur I-O sur la position "I" (1).
2. Pousser répétitivement (7 à 10 fois) la pompe d'amorçage (2) jusqu'à ce que le carburant entre dans la pompe.
3. Déplacer le levier de starter (3) dans la position "I" (verticale).
4. Tenir fermement le moteur avec une seule main au sol (4).
5. Tirer la corde du starter d'environ 10~15 cm jusqu'à sentir une résistance.
6. Tirer fermement (répétitivement si nécessaire) sur la corde jusqu'à ce que le moteur démarre.
7. Remettre le levier de starter sur la position "II" après le démarrage du moteur. Noter que le levier de starter revient automatiquement lorsque le levier d'étrangleur est actionné. Presser le levier d'étrangleur avec le levier de déverrouillage.
8. Chauffer le moteur à une vitesse modérée pendant environ 1 à 2 minutes.
9. Une fois le moteur chaud, il tourne normalement et la transition de la vitesse faible à la vitesse élevée est douce sans interruption.

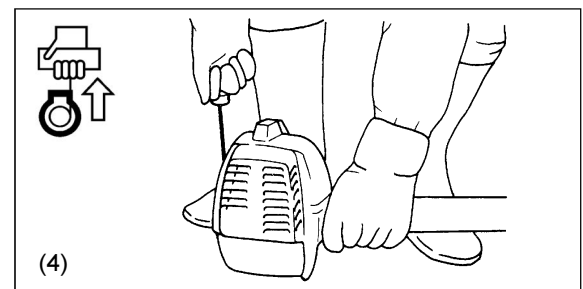
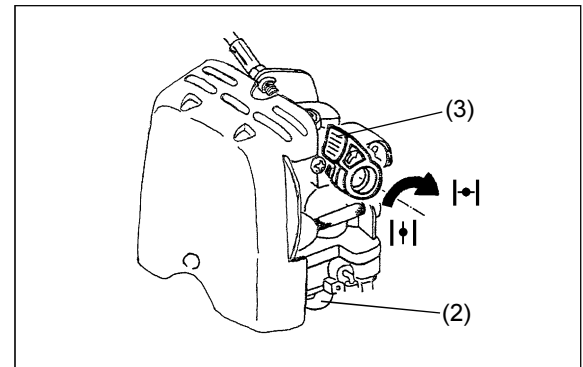
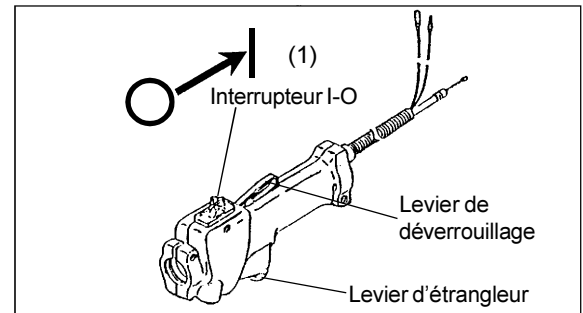
Remarque : Si la corde du starter est tirée répétitivement avec le starter sur la position "I", il y a une prise excessive de carburant ce qui rendra le démarrage du moteur difficile.

S'il y a trop de carburant, retirer la bougie d'allumage et tirer doucement la corde du starter pour dégager l'excès de carburant. Sécher l'électrode de la bougie d'allumage et remettre la bougie.

**Démarrage à chaud** (démarrage immédiat après arrêt du moteur)

Ne pas utiliser le starter (3) pour redémarrer immédiatement le moteur. Si le moteur ne s'arrête pas, exécuter les étapes 1 à 8 décrites ci-dessus (Démarrage à froid).

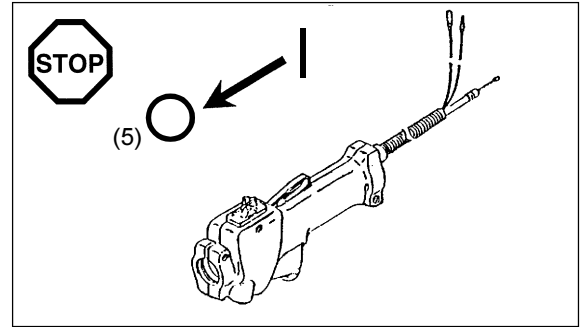
Remarque : Ne pas lâcher immédiatement le bouton du starter après avoir tiré sur la corde du starter mais le guider vers sa position d'origine.



## ARRÊT DU MOTEUR



1. Relâcher le levier d'étrangleur.
2. Pousser l'interrupteur I-O sur la position "O" pour arrêter le moteur.



## VÉRIFICATION ET RÉGLAGE DE LA VITESSE DE MARCHÉ À VIDE

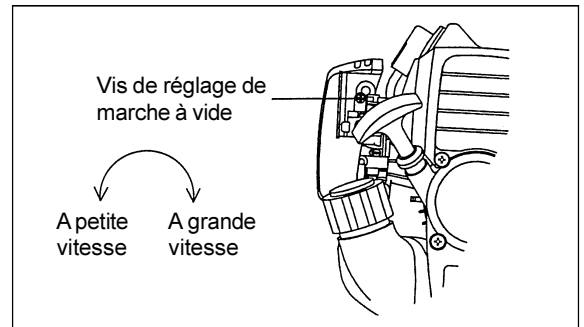
Les lames de coupe de la taille haie ne doivent pas tourner lorsque le levier d'étrangleur est relâché.

- La vitesse de marche à vide correcte est de  $3000 \text{ min}^{-1}$ . Régler, si nécessaire, la vitesse de marche à vide à l'aide de la vis de réglage (réduire la révolution jusqu'à ce que les lames s'arrêtent de tourner).

- Tourner la vis dans le sens des aiguilles d'une montre :  
La vitesse de marche à vide augmente.
- Tourner la vis dans le sens contraire des aiguilles d'une montre :  
La vitesse de marche à vide diminue.

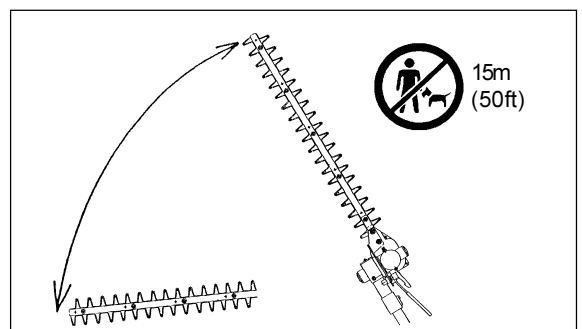
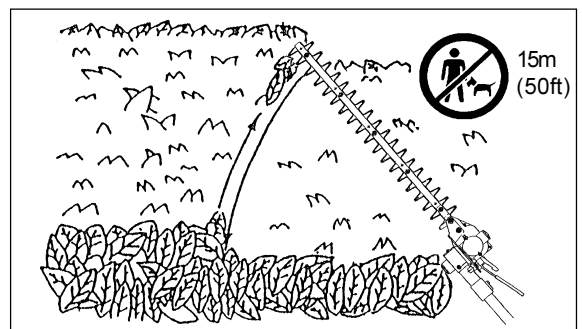
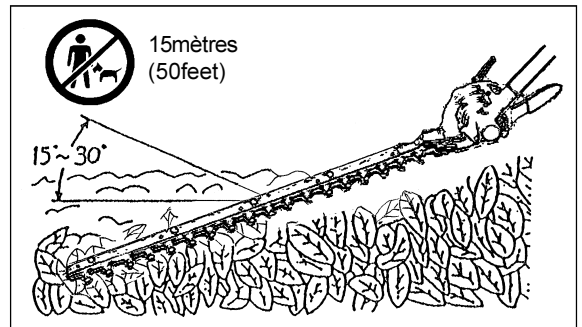
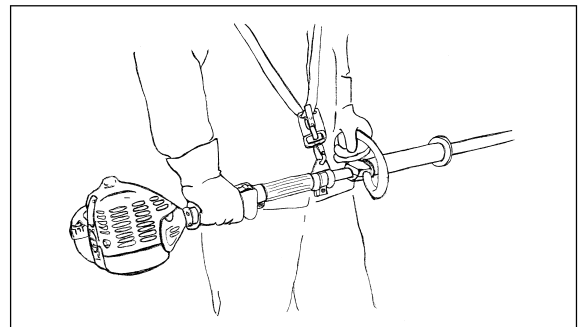
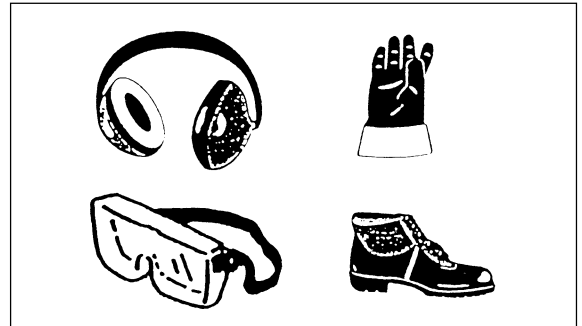
Laisser une certaine différence entre la vitesse de marche à vide et celle d'embrayage (réduire plus la vitesse de marche à vide si nécessaire). Si les lames de coupe continuent de tourner même après un réglage adéquat de la vitesse de marche à vide, consulter le réparateur autorisé le plus proche.

- L'embrayage s'enclenche à une vitesse minimale de  $4000 \text{ min}^{-1}$ .
- Vérifier que l'interrupteur d'arrêt STOP, le levier de déverrouillage et le levier d'étrangleur fonctionnent correctement.



# FONCTIONNEMENT DE LA TAILLE-HAIES À RALLONGE

- En travaillant avec la taille haie, tenir fermement la poignée avec les deux mains.
- Ne pas toucher la lame de coupe de la taille haie pendant l'utilisation ou lorsque le moteur est en marche.
- Faire attention à ne pas inhaler les gaz d'échappement en travaillant avec la taille haie. Ne jamais utiliser la taille haie dans un endroit clos ou sans ventilation suffisante (risque d'asphyxie et d'intoxication). Noter que le gaz carbonique est un gaz inodore ne pouvant être détecté ni par l'odorat.
- Porter toujours des vêtements de travail adéquats avant de commencer le travail avec la taille haie.
- Arrêter immédiatement le moteur si le silencieux ne fonctionne pas correctement.
- N'utiliser la taille haie que dans de bonnes conditions de lumière et de visibilité.
- Ne pas utiliser la taille haie dans l'obscurité ou le brouillard. Faire attention aux endroits mouillés et glissants (neige et verglas) pendant la saison froide (danger de glissade) et assurer toujours un bon équilibre sur les jambes.
- Ne jamais utiliser la taille haie en se tenant sur une surface instable ou une pente.
- Ne jamais utiliser la taille haie en se tenant sur une échelle.
- Ne jamais grimper sur un arbre pour utiliser la taille haie.
- Vérifier toujours la zone de travail et retirer tout fil, corde, verre ou objet étranger qui risque d'être pris les lames.
- Vérifier que les lames de coupe tournent vite avant de commencer à couper.
- Tenir toujours la taille haie des deux mains et maintenir une bonne prise en travaillant avec la machine.
- Pour assurer un contrôle optimal de la taille haie, mettre les mains bien autour des poignées (utiliser le pouce pour la contre pression) et les serrer.
- Noter que les lames de coupe restent en mouvement jusqu'à 2 secondes après avoir relâché le levier d'étrangleur.
- Ne pas couper avec la taille haie à faible vitesse.
- La vitesse des lames de coupe ne peut pas être correctement réglée avec le levier d'étrangleur lorsque le moteur tourne à bas régime.
- Pour couper le haut d'une haie, aligner tout d'abord l'outil de coupe à un angle de 15°~30° dans la direction de coupe et garder la taille haie en position horizontale. Commencer à couper la haie en un mouvement basculant comme en dessinant des cercles avec l'axe de la taille haie.
- Pour couper les bords de la haie, aligner les lames parallèlement avec la surface à couper et commencer à couper avec des mouvements semi-circulaires (de bas en haut).
- Faire attention en coupant une haie qui a poussé le long d'une clôture. Faire attention à ne pas mettre en contact les lames de coupe et clôture métallique. Le fait de couper dans du métal, pierre, ciment ou bois épais risque de casser les lames et/ou d'endommager toute la machine.
- Ne pas utiliser la taille haie pendant une longue durée. En général, pour chaque 50 minutes de travail, arrêter la machine pendant environ 10 à 20 minutes.
- Si les lames de coupe viennent à toucher des pierres ou un objet solide, arrêter immédiatement le moteur et vérifier les lames. Remplacer les lames cassées.
- S'il y a un problème en cours d'utilisation de la taille haie (bruit étrange, vibrations, etc.), arrêter immédiatement le moteur. Ne pas utiliser de nouveau la machine jusqu'à trouver la cause du problème et la réparer.
- Faire son possible pour garder au minimum la pollution et les émissions de gaz en utilisant la taille haie. Faire attention particulièrement au réglage du carburateur et au mélange carburant/huile.
- Si des branches épaisses sont coincées entre les lames, arrêter immédiatement le moteur, allonger la taille haie sur le sol et retirer l'obstacle. Vérifier que les lames n'ont pas été endommagées avant de reprendre le travail.

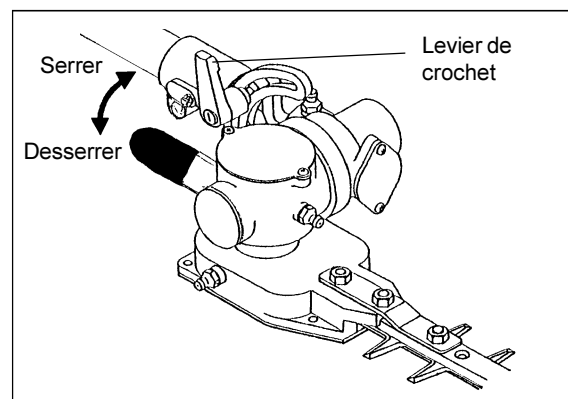


## Réglage de l'angle de coupe

1. Arrêter le moteur de la taille haie et allonger la machine sur le sol.
2. Pour régler l'angle de l'élément de coupe, desserrer le levier de crochet situé au-dessus de l'élément de coupe en le tournant dans le sens contraire des aiguilles d'une montre.
3. Régler l'angle de l'élément de coupe et tourner le levier de crochet dans le sens des aiguilles d'une montre pour les serrer.
  - L'élément de coupe peut être réglé entre 45° et 90°.

### Remarque :

- Ne pas régler l'élément de coupe alors que la taille haie est en position verticale.
- Déplacer l'interrupteur I-O sur la position "O" et allonger la taille haie sur le sol pour régler l'angle de l'élément de coupe.
- Couvrir toujours les lames avec le cache fourni avant de régler l'angle de coupe.



## ENTRETIEN

- Avant d'effectuer tout travail d'entretien de l'élément de coupe de la taille haie (nettoyage de lame, etc.), arrêter toujours le moteur et attendre qu'il refroidisse. Par précaution, retirer également la bougie d'allumage.
- Ne pas essayer de consolider ou de redresser une lame de coupe cassée. Remplacer toujours les lames endommagées.
- Arrêter le moteur à des intervalles réguliers pour vérifier si les lames de coupe ne sont pas endommagées (effectuer un léger test de résonance pour détecter d'éventuelles fissures invisibles). Vérifier toujours que les dents des lames sont aiguisées.
- Nettoyer la taille haie à intervalles réguliers. Vérifier également pendant le nettoyage que toutes les vis, écrous et boulons sont bien vissés.
- Pour réduire le risque de feu, ne jamais réparer ou ranger la taille haie à proximité de flammes nues.
- Porter toujours des gants épais de protection en manipulant les lames.
- Contacter le revendeur pour remplacer les lames.



### Aiguiser les lames

Si les lames de coupes ne sont plus tranchantes et que la performance de coupe n'est pas bonne, faire aiguiser les lames par un réparateur autorisé.

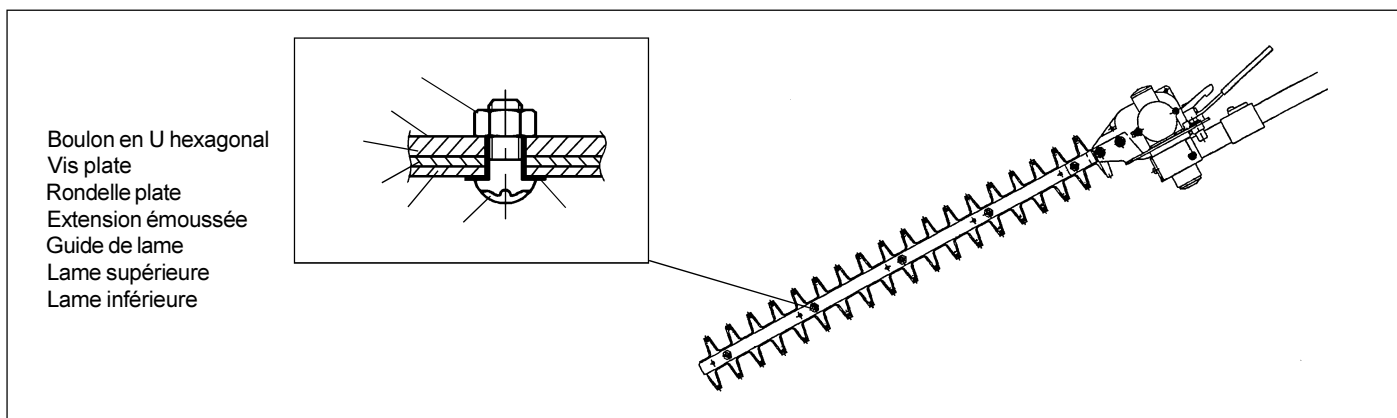
## Réglage des lames



L'utilisation prolongée de la taille haie abîme graduellement les lames. Ajuster de nouveau les lames si les performances de coupe se détériorent remarquablement. Pour régler les lames, suivre les instructions ci-dessous.

1. Desserrer l'écrou .
2. Serrer légèrement la vis jusqu'à sentir une légère résistance. Tourner la vis dans la direction opposée d'un quart ou d'un demi-tour.
3. Maintenir la vis en place avec un tournevis et serrer l'écrou .
4. Après le réglage, graisser les lames avec un film fin ou une huile légère.
5. Démarrer le moteur et tirer plusieurs fois sur le levier d'étrangleur pour faire tourner les lames. Continuer pendant environ une minute.
6. Arrêter le moteur et attendre que les lames s'arrêtent complètement. Toucher doucement les lames à la main. Le réglage est correct si les lames ne sont trop chaudes au toucher. Si les lames sont trop chaudes au toucher, desserrer la vis d'un autre quart ou demi-tour et répéter les étapes 5 et 6 pour confirmer le réglage.

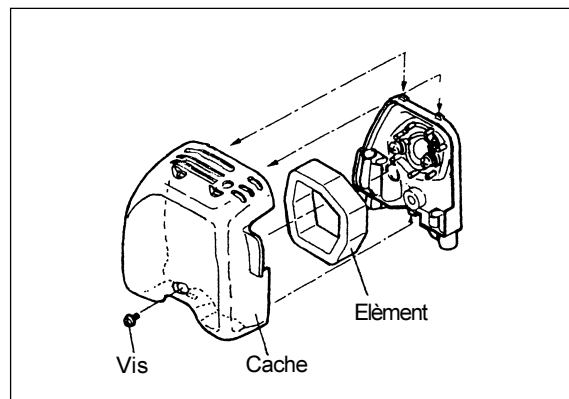
Remarque: Arrêter toujours le moteur et retirer la bougie d'allumage avant de régler les lames ! Les lames possèdent des encoches autour des vis plates . Garder toujours ces encoches propres pour pouvoir les inspecter pour tout dommage éventuel.



## Nettoyage de l'épurateur d'air – chaque 8 heures (quotidiennement)

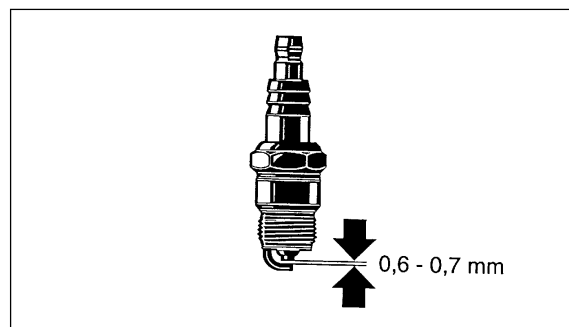
- Retirer le cache de l'épurateur d'air.
- Retirer l'éponge. La laver à l'eau et la laisser sécher complètement.
- Remettre l'éponge propre et sèche, puis le cache de l'épurateur d'air.

Remarque : Nettoyer quotidiennement l'épurateur d'air. Un épurateur d'air bouché rend le démarrage et/ou l'accélération du moteur difficile ou impossible.



## Vérification de la bougie d'allumage – Chaque 8 heures (quotidiennement)

- Utiliser seulement la clé universelle fournie pour retirer et remettre la bougie d'allumage.
- L'espacement de la bougie d'allumage doit être de 0.6~0.7 mm. Ajuster l'espacement de la bougie d'allumage s'il est trop large ou trop serré. Nettoyer ou remplacer la bougie d'allumage si elle est sale et/ou bouchée par le résidu de carbone. Remplacer toujours le même type de bougie d'allumage.

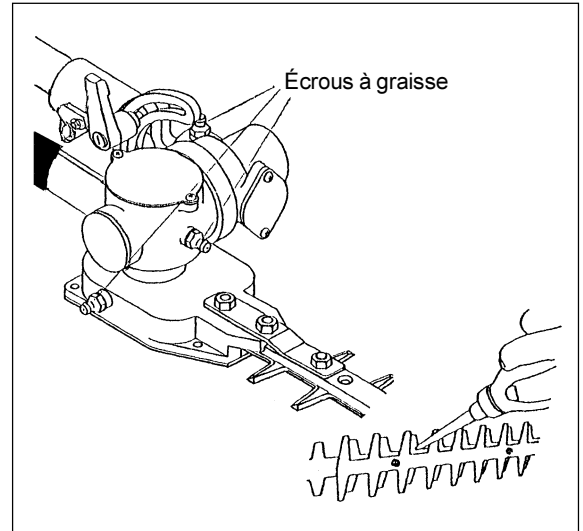




### Ajout de graisse et de lubrifiant

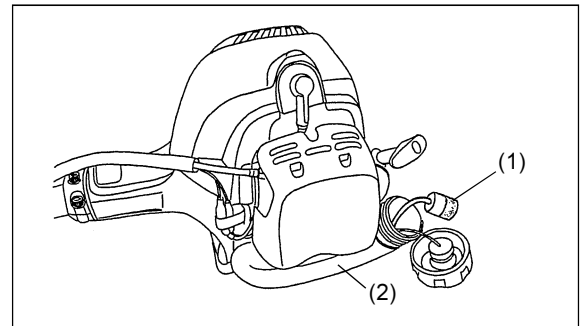
- La boîte de vitesses de la taille haie à rallonge doit être graissée toutes les 20 heures de travail. Ajouter environ 10 CC de lubrifiant (Shell Alvania No. 3 ou équivalent) à la boîte de vitesse via les écrous à graisse. Un peu de graisse peut sortir de la tête de la boîte à vitesses (située à la base de la lame) lorsque la taille haie est mise en marche la première fois après le graissage. Utiliser cela comme indicateur approximatif de la quantité de graisse à fournir.

Remarque: Respecter les intervalles de graissage et la quantité de graisse à fournir. Les parties mécaniques de la taille haie risquent d'être endommagées si elles ne sont pas graissées à des intervalles réguliers et si la quantité de graisse est insuffisante.



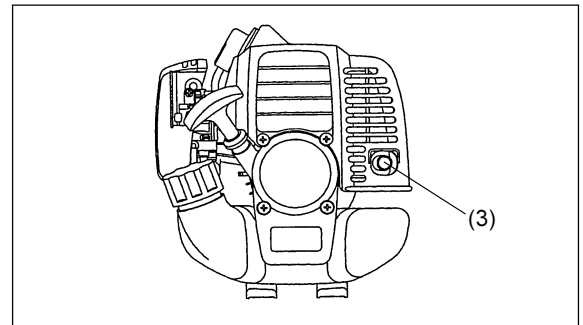
### Filtre du réservoir à carburant

- L'intérieur du réservoir à carburant est équipé d'un filtre (1) qui nettoie le carburant avant de passer dans le carburateur.  
- Vérifier visuellement le filtre à des intervalles réguliers. Pour cela, utiliser une pièce métallique en forme de crochet et sortir le filtre du réservoir (2). Remplacer le filtre s'il est dur, bouché ou très sale.  
- Une mauvaise alimentation en carburant à cause d'un filtre sale peut causer une mauvaise performance du moteur. Pour s'assurer que la quantité requise de carburant entre dans le carburateur, remplacer le filtre de carburant chaque fois que l'on a des doutes sur sa condition.



### Nettoyage de l'orifice du silencieux

- Vérifier la condition de l'orifice du silencieux (3) à intervalles réguliers.  
- Utiliser un outil approprié pour retirer les résidus excessifs de carbone qui s'accumulent autour de l'orifice du silencieux. Faire attention à ne pas faire entrer les résidus de carbone dans les pièces du moteur.



### Nettoyage de l'arrêt de bougie

- L'arrêt de bougie doit être nettoyé toutes les 50 heures de travail.  
- Faire nettoyer l'arrêt de bougie par le revendeur ou par un réparateur autorisé.

Pour tout travail d'entretien non mentionné dans ce manuel, contacter le revendeur ou un réparateur autorisé.

### Inspection et entretien quotidiens

Pour assurer une longue durée de vie de la taille haie, effectuer quotidiennement les inspections et entretiens suivants.

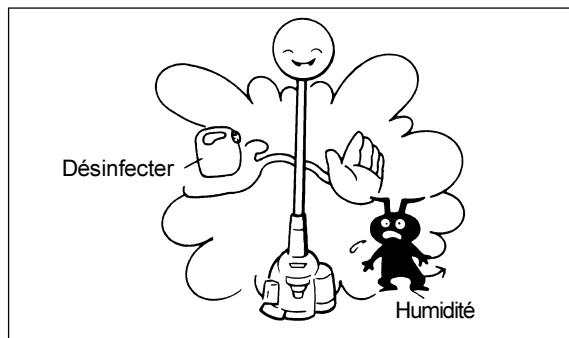
- Vérifier toujours s'il y a des pièces manquantes ou mal fixées avant de commencer le travail. Faire très attention à la lame de coupe et vérifier si les vis du verrouillage de la lame de coupe sont bien serrés.
- Vérifier si les passages d'air et les fentes de refroidissement du cylindre ne sont pas bouchés avant de commencer le travail. Les nettoyer si nécessaire.
- Chaque fois après l'utilisation de la taille haie à rallonge :
  - Nettoyer la surface extérieure de la taille haie et chercher toute pièce éventuelle endommagée ou mal serrée.
  - Nettoyer le filtre à air. Nettoyer le filtre plusieurs fois par jour si le lieu du travail est très poussiéreux.
  - Vérifier si les lames de coupe ne sont pas endommagées. S'assurer que les lames sont fermement montées.



## REMISAGE

Si la taille haie doit être rangée pendant une longue période, procéder comme suit :

- Vider le carburant du réservoir et du carburateur.
- Retirer la bougie d'allumage et ajouter quelques gouttes d'huile à deux temps dans la fente de la bougie d'allumage. Tirer doucement sur la corde du starter pour s'assurer que l'huile est bien distribuée dans le moteur. Remettre la bougie d'allumage et la serrer.
- Nettoyer toute la taille haie et appliquer une fine couche d'huile sur les parties métalliques. Couvrir les lames avec le cache fourni. Ranger la taille haie dans un endroit sec sans humidité.



## PROGRAMME D'ENTRETIEN

Général	Moteur, Vis, écrous, boulons	Vérifier visuellement la condition générale et la sécurité Vérifier visuellement s'il y a une panne S'assurer que les vis, écrous et boulons sont serrés.
Après le ravitaillement	Levier d'étranglement Levier de déverrouillage Interrupteur d'arrêt STOP	Vérifier le fonctionnement Vérifier le fonctionnement Vérifier le fonctionnement
Quotidiennement	Filtre à air Conduit d'aération Outil de coupe Marche à vide	Nettoyer Nettoyer Vérifier tout dommage, confirmer Confirmer que les lames de coupe ne tournent pas.
Chaque 20 heures	Boîte à vitesses	Ajouter de la graisse
Hebdomadaire	Bougie d'allumage Silencieux	Vérifier, remplacer si nécessaire Vérifier, nettoyer si nécessaire
Chaque trimestre	Filtre de carburant Réservoir à carburant	Nettoyer ou remplacer si nécessaire Nettoyer dedans
Avant emmagasinage long	Réservoir à carburant Carburateur	Vider le réservoir Garder le moteur en marche jusqu'à la fin de carburant

## DÉPANNAGE

Problème	Système	Observation	Cause
Le moteur ne démarre pas ou démarre difficilement	Allumage	Bougie d'allumage présente	Problème avec l'alimentation en carburant ou le système de compression, panne mécanique.
		Pas de bougie d'allumage	Interrupteur STOP en position OFF, fil cassé, bougie d'allumage défectueuse ou connecteur défectueux, module d'allumage défectueux.
	Alimentation en carburant	Carburant disponible	Mauvais réglage de l'étrangleur, carburateur défectueux, filtre à carburant contaminé, tuyau de carburant cassé ou plié.
		Compression	Dans le moteur
Problème de démarrage	Mécanique	Hors du moteur	Bougie d'allumage desserré.
		Starter ne fonctionne pas	Ressort du starter défectueux, panne mécanique dans le moteur
	Carburant disponible Allumage en marche	Carburateur contaminé (faire nettoyer le carburateur)	
Le moteur démarre mais cale immédiatement	Alimentation en carburant	Carburant disponible	Réglage de marche à vide incorrect, carburateur ou filtre à carburant contaminé. Ventilation du réservoir à carburant défectueux, Tuyau de carburant cassé, interrupteur STOP défectueux (contact desserré, etc.)
Mauvaise performance	Plusieurs systèmes peuvent être affectés simultanément	Marche à vide du moteur	Filtre à air contaminé, carburateur contaminé, Silencieux bouché ou pot d'échappement cylindre bouché.

Herzlichen Glückwunsch zum Kauf des MAKITA Hoch-Heckenscheres. Dieses Gerät ist das Produkt sorgfältiger Entwicklungsarbeit und langjähriger Erfahrung in der Herstellung von motorisierten Schneidwerkzeugen. Wir sind überzeugt, dass der MAKITA Hoch-Heckenscherer Ihnen über lange Zeit wertvolle Dienste leisten wird.

Die vorliegende Betriebsanleitung enthält detaillierte Anweisungen bezüglich fachgerechter Bedienung des Hoch-Heckenscheres und gibt Ihnen nützliche Hinweise für bestmögliche Resultate beim Gebrauch Ihres Gerätes.



**Inhaltsverzeichnis**

Symbole	34
Sicherheitsvorschriften	35~38
Technische Daten	39
Bezeichnung der Teile	40
Verbindung von Schneidwerkzeug und Teleskop	41
Montage des Schlaufengriffs	41
Benutzung des Schultergurtes	41
Kraftstoff/Auftanken	42
Vorsichtsmaßnahmen vor dem Anlassen des Motors	43
Motor anlassen	43
Motor abstellen	44
Leerlauf überprüfen und einstellen	44
Betrieb des Hoch-Heckenscheres	45~46
Wartung und Pflege	46~47
Lagerung	49
Wartungsplan	49
Fehlersuche	49

**SYMBOLE**

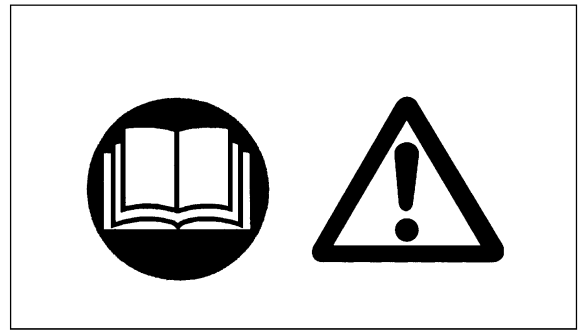
Bitte beachten Sie beim Lesen der Betriebsanleitung die folgenden Symbole.

	WARNUNG/GEFAHR		Einklemmgefahr
	Vor Benutzung unbedingt Betriebsanleitung lesen		Vorsicht bei elektrischen Leitungen, Gefahr von Elektroschock
	Verbot		Benzin/Öl-Mischung
	Rauchverbot		Manueller Motorstart
	Kein offenes Feuer		Notstopp
	Sicherheitsschuhe trage		Erste Hilfe
	Schutzhandschuhe tragen		Wiederverwendbar
	Personen und Tiere vom Einsatzgebiet fernhalten		EINSTART
			AUS/STOPP
	Schutzhelm, Schutzbrille und Ohrenschutz tragen		CE-Zeichen

# SICHERHEITSVORSCHRIFTEN

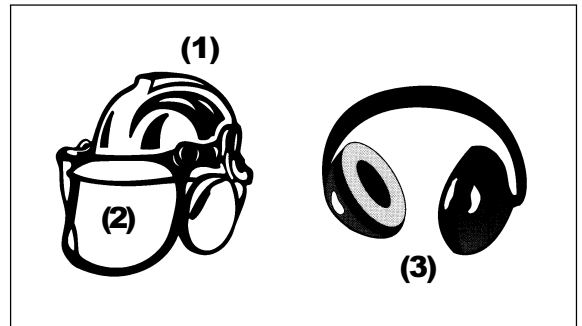
## Allgemeine Bestimmungen

- Vor Inbetriebnahme des Hoch-Heckenscheres, muss der Benutzer die Betriebsanleitung sorgfältig studieren und sich mit der fachgerechten Bedienung des Gerätes vertraut machen. Unsachgemäße Bedienung dieses Gerätes kann schwerwiegende Verletzungen zur Folge haben!
- Wenn der Hoch-Heckenschere ausgeliehen wird, muss die fachgerechte Bedienungsweise ausführlich erklärt werden. Die Betriebsanleitung muss immer mit ausgehändigt werden.
- Unerfahrene Benutzer sollten sich über deren Händler allgemeines Grundwissen im Umgang mit motorisierten Schneidgeräten aneignen.
- Diese Betriebsanleitung sollte an einem geeigneten Ort für schnellen Zugriff aufbewahrt werden.
- Der Hoch-Heckenschere sollte nicht von Personen unter 18 Jahren benutzt werden. Hingegen unter Aufsicht einer erwachsenen Person, die mit der Bedienung des Gerätes vertraut ist, dürfen Jugendliche über 16 Jahren ausnahmsweise das Gerät zu Übungszwecken benutzen.
- Arbeiten Sie immer mit äußerster Vorsicht und Konzentration wenn Sie den Hoch-Heckenschere benutzen.
- Vermeiden Sie es, unter den nachfolgend aufgeführten Umständen den Hoch-Heckenschere zu benutzen, da andererseits mit schwerwiegenden Verletzungen gerechnet werden muss.
  - Wenn Sie sich müde oder unwohl fühlen.
  - Wenn Sie Alkohol oder Medikamenten zu sich genommen haben.
  - In der Nacht oder bei schlechten Lichtverhältnissen
  - Während der Schwangerschaft.



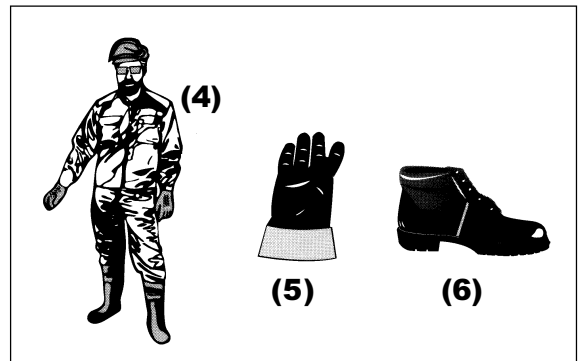
## Verwendungszweck des Gerätes

- Der Hoch-Heckenschere ist für das Beschneiden und Trimmen von Hecken und Büschen mit maximaler Astdicke von 6 mm vorgesehen. Versuchen Sie unter keinen Umständen, das Gerät für andere Zwecke zu verwenden.



## Personenschutz-Ausrüstung

- Tragen Sie stets angemessene und funktionelle Arbeitskleidung, die eng am Körper anliegt, ohne jedoch Ihre Bewegungsfreiheit einzuschränken. Tragen Sie weder Kleidungsstücke noch Schmuckstücke, die sich im Gestrüpp oder Unterholz verfangen könnten.
- Um Kopf-, Augen-, Hand- und Fußverletzungen, sowie Gehörschäden zu vermeiden, sollten beim Gebrauch des Hoch-Heckenscheres stets die im Folgenden erwähnten Ausrüstungsartikel für Personenschutz verwendet werden.
- Tragen Sie immer einen Schutzhelm mit Schutzbrille (1) oder Visier (2), um mögliche Kopf- und/oder Augenverletzungen zu vermeiden.
- Um Gehörschäden vorzubeugen muss beim Gebrauch des Gerätes ein angemessener Lärmschutz (3) getragen werden.
- Es wird empfohlen beim Gebrauch des Hoch-Heckenscheres immer einen Arbeitsüberzieher (4) zu tragen.
- Tragen Sie immer Schutzhandschuhe (5) aus dickem Leder wenn Sie mit dem Hoch-Heckenschere arbeiten.
- Um einen sicheren Halt zu gewährleisten, und um die Füße vor Verletzungen zu schützen, sollten bei der Arbeit mit dem Hoch-Heckenschere immer robuste Arbeitsschuhe mit rutschfester Profilssole (6) getragen werden.



### Starten des Hoch-Heckenscheres

- Vergewissern Sie sich, dass sich im Umkreis von 15 m um den Einsatzort des Gerätes keine Personen (insbesondere Kinder) und Tiere aufhalten. Vermeiden Sie es, den Hoch-Heckenschere zu verwenden, wenn sich Personen (besonders Kinder) in der Nähe aufhalten.
- Überzeugen Sie sich vor Gebrauch von der Betriebssicherheit des Hoch-Heckenscheres.
- Überprüfen Sie die Sicherheitsverriegelung des Gashebels. Überzeugen Sie sich, dass die Gashebelverriegelung sich leicht bedienen lässt und tadellos funktioniert. Prüfen Sie ob der STOPP-Schalter funktioniert und vergewissern Sie sich, dass die Handgriffe sauber und trocken sind.

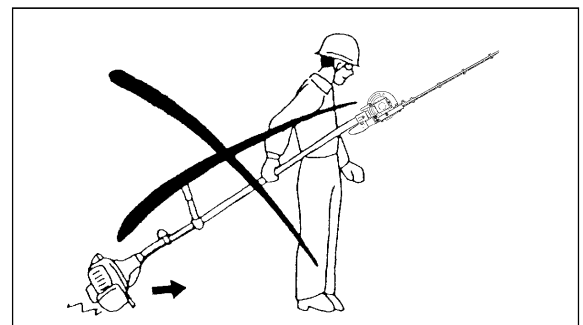
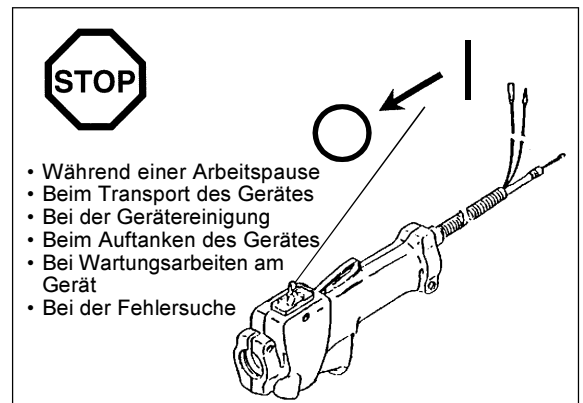
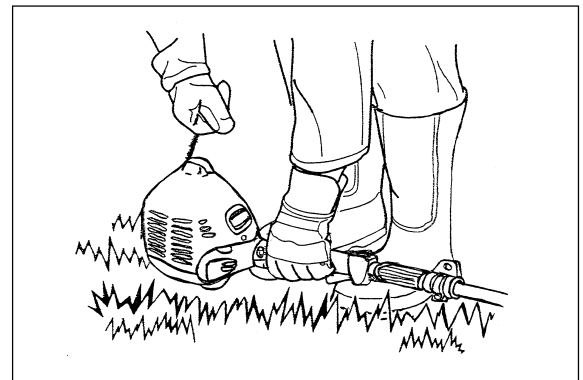
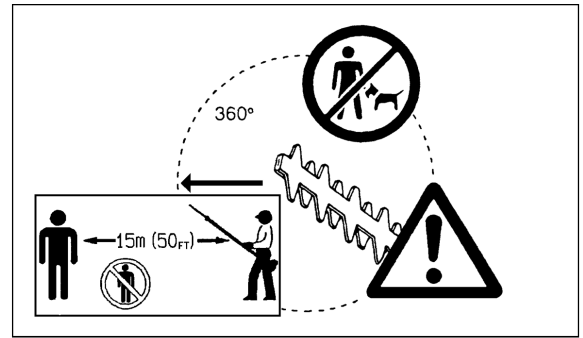
Für das Starten des Hoch-Heckenscheres, folgen Sie unbedingt den Anweisungen in dieser Betriebsanleitung.

### Versuchen Sie unter keinen Umständen, den Motor auf andere Weise zu starten!

- Nehmen Sie den Hoch-Heckenschere nicht in Betrieb, bevor das Gerät nicht vollständig zusammengebaut ist und alle Zubehörteile montiert sind.
- Bevor Sie den Motor des Hoch-Heckenscheres starten, vergewissern Sie sich, dass die beweglichen Teile des Messerbalkens nicht mit festen Gegenständen (Steine, Äste usw.) in Berührung kommen.
- Bei Motorstörungen jeglicher Art muss der Motor unverzüglich abgeschaltet werden.
- Halten Sie den Hoch-Heckenschere bei der Arbeit immer mit beiden Händen. Umschließen Sie die Griffe fest mit Ihren Händen (Gegendruck mit Daumen) und vermeiden Sie unbedingt Handwechsel bei laufendem Gerät. Vergewissern Sie sich, dass die Bedienungshebel in gutem Zustand und frei von Feuchtigkeit, Schmutz, Öl oder Schmierfett sind.

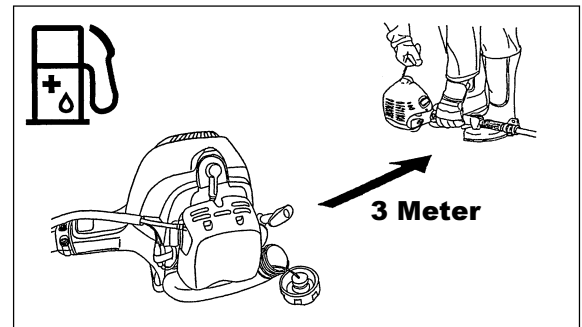
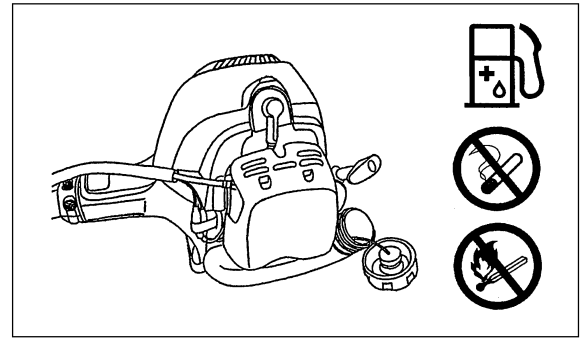
### Achten Sie stets auf sicheren und festen Halt mit den Füßen.

- Benutzen Sie das Gerät nur im Freien.
- Schalten Sie bei Motorproblemen oder abnormalen Motorgeräuschen den Motor unverzüglich ab.
- Abgase sind giftig! Lassen Sie den Motor nie in einem geschlossenen Raum oder in einem Tunnel ohne Belüftung laufen (Erstickungs- und/oder Vergiftungsgefahr). Kohlenmonoxid ist ein geruchloses Gas; verwenden Sie deshalb den Hoch-Heckenschere nur an Orten wo ausreichende Belüftung gewährleistet ist.
- Schalten Sie den Motor immer ab, wenn Sie das Gerät zwecks Arbeitspause unbeaufsichtigt lassen. Platzieren Sie den Hoch-Heckenschere immer an einem sicheren Ort und achten Sie darauf, dass sich in unmittelbarer Nähe kein brennbares Material befindet.
- Legen Sie das erhitzte Gerät nie auf trockenes Gras oder anderes leicht brennbares Material.
- Um die Gefahr eines Brandes zu vermindern, sollten Sie sich stets vergewissern, dass Motor und Auspuff frei von Aststücken, Blättern und Ölrückständen sind.
- Lassen Sie den Motor nicht laufen, wenn der Auspuff defekt ist.
- Stellen Sie den Motor ab, bevor das Gerät transportiert wird.
- Der Motor muss immer ausgeschaltet sein:
  - Während einer Arbeitspause
  - Beim Transport des Gerätes
  - Bei der Gerätereinigung
  - Beim Auftanken des Gerätes
  - Bei Wartungsarbeiten am Gerät
  - Bei der Fehlersuche
- Um ein Auslaufen von Restkraftstoff zu verhindern, muss der Hoch-Heckenschere für den Transport immer festgezurt werden.
- Bevor der Hoch-Heckenschere transportiert wird, muss unbedingt der Kraftstofftank entleert werden.
- Entladen Sie den Hoch-Heckenschere immer mit größter Vorsicht, um ein versehentliches Fallenlassen des Gerätes zu vermeiden. Heftige Stöße könnten zu schweren Beschädigungen am Benzintank des Motors führen.
- Lassen Sie den Hoch-Heckenschere nur im äußersten Notfall zu Boden fallen, da das Gerät durch den Aufschlag sonst schwer beschädigt werden könnte.
- Heben Sie das Gerät für Standortverschiebungen immer vollständig vom Boden ab. Den Motorteil des Gerätes über den Boden zu schleifen ist gefährlich, da resultierende Beschädigungen am Benzintank ein Leck und damit möglicherweise einen Brand hervorrufen können.
- Verwenden Sie bei Transport oder Lagerung des Hoch-Heckenscheres immer den mitgelieferten Messerschutz.



## Auftanken

- Stellen Sie vor dem Auftanken des Gerätes den Motor ab und füllen Sie Benzin nur in sicherer Entfernung von offenem Feuer nach. Unterlassen Sie es unter allen Umständen während des Auftankens zu Rauchen.
- Warten Sie mit dem Auftanken bis der Motor sich abgekühlt hat.
- Vermeiden Sie Hautkontakt mit Mineralölprodukten und achten Sie darauf, dass Sie keine Benzindämpfe einatmen. Tragen Sie beim Auftanken immer Schutzhandschuhe und waschen oder wechseln Sie Ihre Schutzkleidung in regelmäßigen Abständen.
- Gehen Sie beim Auftanken vorsichtig vor, um zu vermeiden, dass Kraftstoff oder Öl auf den Boden verschüttet wird (Umweltschutz). Falls Sie versehentlich Benzin über den Hoch-Heckenschere verschütten, wischen Sie das Gerät sofort mit einem Lappen sauber. Um der Selbstverbrennung von ölgetränkten Lappen vorzubeugen, lassen Sie die Lappen vollständig trocknen, bevor Sie diese auf korrekte Weise entsorgen (Sondermüll).
- Achten Sie darauf, dass Ihre Kleidung nicht mit Kraftstoff in Berührung kommt und wechseln Sie Ihre Kleidung unverzüglich, falls dennoch versehentlich Kraftstoff darüber verschüttet worden sein sollte (Kleidung könnte Feuer fangen).
- Verschließen Sie den Benzintank und ziehen Sie den Tankdeckel vorsichtig fest. Verändern Sie Ihren Standort, um den Motor anzulassen (mindestens 3 m von der Auftankstelle).
- Überprüfen Sie den Verschluss des Benzintanks in regelmäßigen Abständen und vergewissern Sie sich, dass der Deckel sich einwandfrei verschließen lässt und den Tank vollständig abdichtet.
- Tanken Sie unter keinen Umständen in geschlossenen Räumen auf, da Benzindämpfe sich in Bodennähe ansammeln (Explosionsgefahr).
- Transportieren und lagern Sie Benzin nur in zugelassenen Kraftstoffbehältern. Vergewissern Sie sich, dass das Benzin unerreichbar für Kinder gelagert wird.
- Um Schäden an Motor oder Kraftstoffleitung zu vermeiden, sollte beim Mischen von Benzin und Zweitaktöl möglichst kein Benzin verwendet werden, das Äthyl oder Methan (Arten von Alkohol) enthält.



## Betriebsart

- Halten Sie den Hoch-Heckenschere beim Arbeiten immer mit beiden Händen.
- Benutzen Sie den Hoch-Heckenschere nur bei guten Licht- und Sichtverhältnissen. Seien Sie besonders vorsichtig während der Wintermonate, da wegen nasser Flächen, Eis und Schnee erhöhte Rutschgefahr herrscht. Achten Sie stets auf sicheren Stand und guten Halt.
- Verwenden Sie den Hoch-Heckenschere nicht, wenn Sie sich auf instabilem Grund befinden und vermeiden Sie es unbedingt, das Gerät von einem steilen Abhang aus zu betreiben.
- Verwenden Sie den Hoch-Heckenschere nie auf einer Leiter stehend.
- Klettern Sie niemals auf einen Baum, um von dort aus mit dem Hoch-Heckenschere zu arbeiten.
- Gehen Sie niemals rückwärts wenn Sie mit dem Hoch-Heckenschere arbeiten, da Sie sonst stolpern oder über Hindernisse fallen könnten.
- Schalten Sie den Motor immer ab, bevor Sie mit Reinigungs- oder Wartungsarbeiten am Hoch-Heckenschere beginnen. Versuchen Sie nie Teile auszuwechseln, bevor der Motor und die Messer vollständig zum Stillstand gekommen sind.
- Benutzen Sie den Hoch-Heckenschere nicht, falls die Messer stumpf oder beschädigt sind.



## Wartungsvorschriften

- Versuchen Sie so gut es geht, beim Arbeiten mit dem Hoch-Heckenschere Luftverschmutzung und Lärmbelastung möglichst niedrig zu halten. Achten Sie dabei besonders auf korrekte Vergasereinstellung.
- Reinigen Sie den Hoch-Heckenschere in regelmäßigen Abständen und überprüfen Sie bei dieser Gelegenheit, ob alle Schrauben und Muttern noch festgezogen sind.
- Warten und lagern sie den Hoch-Heckenschere nie in der Nähe von offenen Feuern, oder an Orten, wo mit Funkenflug gerechnet werden muss.
- Entleeren Sie nach Abschluss der Arbeit den Kraftstofftank der Hoch-Heckenschere und lagern Sie das Gerät unerreichbar für Kinder in einem abschließbaren Raum.
- Um durch unsachgemäße Reparaturen hervorgerufene Schäden und/oder Verletzungen zu vermeiden, unterlassen Sie es unbedingt den Hoch-Heckenschere selbst zu reparieren, falls Sie nicht dazu qualifiziert sind. Setzen Sie sich für Reparaturen immer mit Ihrem Händler oder einer Vertrags-Kundendienststelle in Verbindung.



Versuchen Sie niemals am Hoch-Heckenschere Änderungen vorzunehmen, da dies die Betriebssicherheit des Gerätes beeinträchtigen könnte.

Wartungs- und Reparaturarbeiten, die vom Bediener durchgeführt werden dürfen, beschränken sich auf die in dieser Betriebsanleitung beschriebenen Handlungen. Alle anderen Arbeiten müssen qualifiziertem Servicepersonal überlassen werden. Es dürfen nur Original-Ersatz- und Zubehörteile von MAKITA verwendet werden. Die Verwendung von fremden Zubehörteilen und Werkzeugen erhöhen das Unfallrisiko für Bediener und Drittpersonen. MAKITA übernimmt keine Haftung für Unfälle oder Schäden, die durch die Verwendung nicht zugelassener Schneidwerkzeuge, Schneidwerkzeug-Befestigungsvorrichtungen und anderer Zubehörteile verursacht wurden.

#### Erste Hilfe

Um für mögliche Unfälle gewappnet zu sein, stellen Sie sicher, dass in der Nähe Ihres Arbeitsortes ein vollständig ausgerüsteter Erste-Hilfe-Kasten zur Verfügung steht. Artikel, die dem Erste-Hilfe-Kasten entnommen wurden, müssen sobald als möglich ersetzt werden.

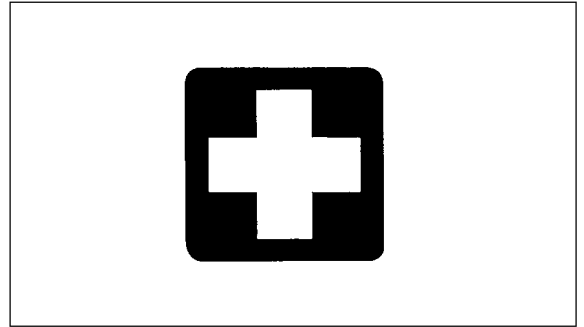
#### Falls Sie Hilfe anfordern müssen, vergessen Sie nicht, folgende Angaben zu machen:

- Unfallort
- Beschreibung des Unfalls
- Anzahl verletzter Personen
- Art der Verletzungen
- Ihr Name

#### Verpackung

Um Transportschäden vorzubeugen, wird der Hoch-Heckenschere in einer schützenden Pappschachtel geliefert.

Pappe ist ein Grund-Rohmaterial, das wiederverwendet werden kann (Recycling von Altpappe).



## EG-Konformitätserklärung

Der Unterzeichnete, der nachstehenden Hersteller bzw. Inverkehrbringer

Makita Corporation  
3-11-8, Sumiyoshi-cho, Anjo, Aichi, JAPAN  
(Hersteller)

sowie

Makita International Europe Ltd.  
Michigan Drive, Tongwell, Milton Keynes, Bucks MK15 8JD, ENGLAND  
(authorisierter Repräsentant in Europa)

vertritt, erklärt hiermit, daß das Produkt

Makita Blasgerät  
Modell; PTR2500

in Übereinstimmung ist mit den Bestimmungen der nachstehenden EG-Richtlinie(n) einschließlich aller zutreffenden Änderungen:

- Richtlinie des Rates zur Angleichung der Rechtsvorschriften der Mitgliedstaaten für Maschinen 89/336/EWG, abgeändert durch 93/68/EWG und in der Folge ersetzt durch 98/37/EG
- Richtlinie des Rates zur Angleichung der Rechtsvorschriften der Mitgliedstaaten über die elektromagnetische Verträglichkeit 89/336/EWG, abgeändert 92/31/EWG

und daß folgende Normen und/oder technische Spezifikationen zur Anwendung gelangt sind:

ISO11806, EN774, ISO11680, EN55012

Gemessene Lautstärke: 106 dB

Garantierte maximale Lautstärke: 108 dB

Diese Lautstärkepegel sind in Übereinstimmung mit der Richtlinie 2000/14/EC des europäischen Parlaments und des Rates vom 8. Mai 2000 gemessen worden.

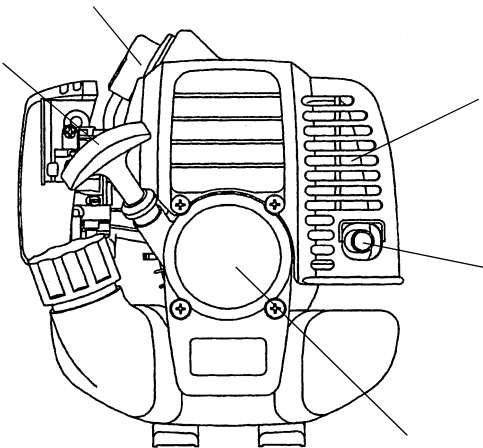
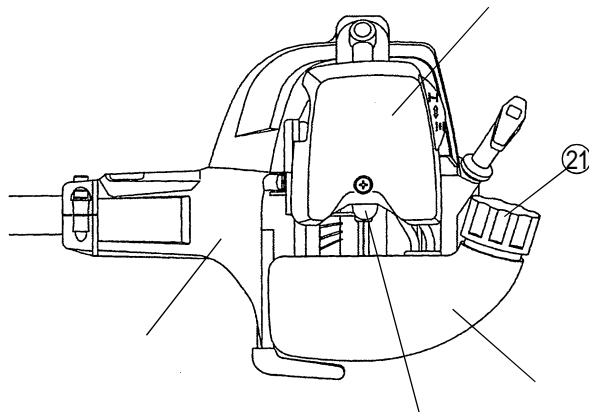
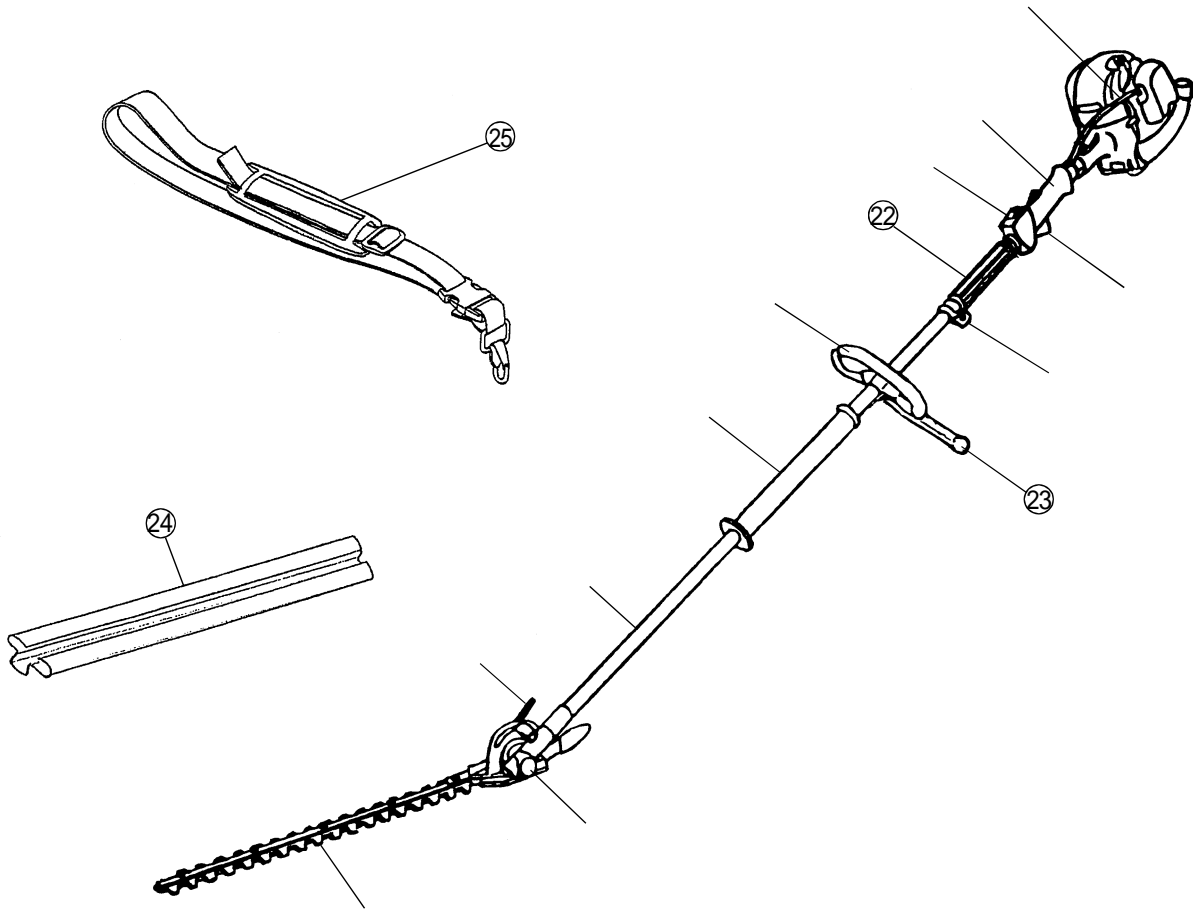
Interne Fertigungskontrolle gemäß Anhang V der Richtlinie 2000/14/EC.

Tomoyasu Kato  
Direktor

## TECHNISCHE DATEN : PTR2500

Model		PTR2500		
		Schlaufengriff und Kontrollgriff		
Abmessungen (L x W x H)	mm	2400 x 350 x 220		
Gewicht	kg	6.1		
Füllmenge (Kraftstofftank)	L	0.65		
Schnittlänge	mm	535		
Hubraum	cm <sup>3</sup>	24.5		
Motorhöchstleistung		0.75 kW bei 7000 min <sup>-1</sup>		
Motordrehzahl bei empfohlener maximaler Achsgeschwindigkeit	min <sup>-1</sup>	10,000		
Kraftstoffverbrauch	kg/h.	0.54		
Spezifischer Kraftstoffverbrauch	g/kWh	735		
Leerlauf	min <sup>-1</sup>	3000		
Einkuppeln	min <sup>-1</sup>	4100		
Vergaser (Membran-Vergaser)	Typ	WALBRO WYJ		
Zündsystem	Typ	Festkörperzündung		
Zündkerze	Typ	NGK BMR7A		
Elektrodenabstand	mm	0.6-0.7		
Vibration gemäß ISO7916	Rechter Griff (hinten)	Leerlauf	m/s <sup>2</sup>	3.63
		Vollgas	m/s <sup>2</sup>	8.01
	Linker Griff (Schlaufengriff)	Leerlauf	m/s <sup>2</sup>	7.24
		Vollgas	m/s <sup>2</sup>	12.00
	Linker Griff (vorne)	Leerlauf	m/s <sup>2</sup>	4.74
		Vollgas	m/s <sup>2</sup>	8.44
Vibration gemäß ISO11680	Rechter Griff (hinten)	Leerlauf	m/s <sup>2</sup>	4.41
		Vollgas	m/s <sup>2</sup>	7.81
	Linker Griff (Schlaufengriff)	Leerlauf	m/s <sup>2</sup>	11.76
		Vollgas	m/s <sup>2</sup>	13.65
	Linker Griff (vorne)	Leerlauf	m/s <sup>2</sup>	4.36
		Vollgas	m/s <sup>2</sup>	8.23
Durchschnittlicher Schalldruckpegel		ISO7917	dB (A)	90.0
Durchschnittlicher Schallleistungspegel		ISO10884	dB (A)	102.8
Mischverhältnis (Benzin: MAKITA Zweitaktöl)				50:1
Übersetzungsverhältnis				1/4

# BEZEICHNUNG DER TEILE



	Bezeichnung der Teile
1	Kraftstofftank
2	Starter mit Rücklauf
3	Luftfilter
4	I-O-Schalter (EIN/AUS)
5	Zündkerze
6	Auspuff
7	Kupplungskasten
8	Kontrollgriff (hinterer Griff)
9	Aufhänger
10	Schlaufengriff
11	Gashebel
12	Gaszug
13	Welle
14	Messerbalken
15	Vorderer Griff
16	Starterknopf
17	Anlasseinspritzpumpe
18	Getriebekasten
19	Auspuffrohr
20	Klemmhebel
21	Tankdeckel
22	Zwischenstück
23	Schutzbalken
24	Messerschutz
25	Schultergurt



## MONTAGE VON SCHNEIDWERKZEUG UND TELESKOP



### Wichtig:

Vergewissern Sie sich, dass der Motor abgeschaltet ist und ziehen Sie den Zündkerzenstecker ab, bevor Sie den Hoch-Heckenschere zusammensetzen.

Unbedingt Schutzhandschuhe tragen!

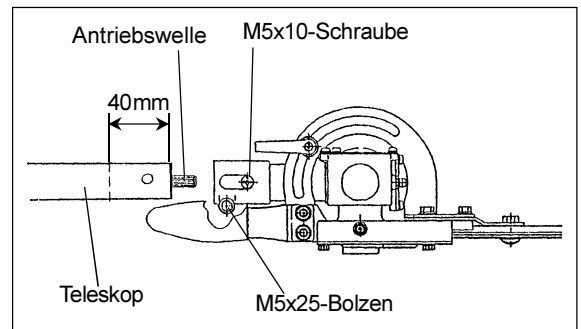
Sichern Sie den Messerbalken mit dem dazugehörigen Messerschutz, bevor Sie das Schneidwerkzeug mit dem Teleskop verbinden.

- Lösen Sie die M5x10-Schraube und den M5x25-Bolzen.
- Führen Sie die Welle in den Getriebekasten.

**HINWEIS:** Vergewissern Sie sich, dass die Welle vollständig in den Getriebekasten eingeführt wurde (ca. 40mm).

Falls Sie bei Einsetzen Schwierigkeiten haben, drehen Sie die Antriebswelle ein wenig von Hand und versuchen es noch einmal.

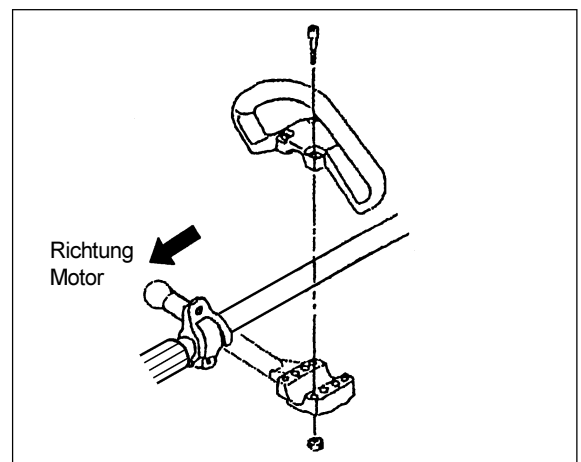
- Prüfen Sie, ob die Welle richtig eingesetzt ist und ziehen Sie dann die M5x10-Schraube und den M5x25-Bolzen fest.



## MONTAGE DES SCHLAUFENGRIFFS



- Montieren Sie den Schlaufengriff zusammen mit dem in Arbeitsrichtung nach links ausgerichteten Schutzbalken an der Wellenverkleidung.
- Achten Sie darauf, dass Sie den Schlaufengriff nicht zu nahe beim Kontrollgriff anbringen (benutzen Sie dazu das mitgelieferte Zwischenstück).



## BENUTZUNG DES SCHULTERGURTES

### Hinweise zur Anwendung:

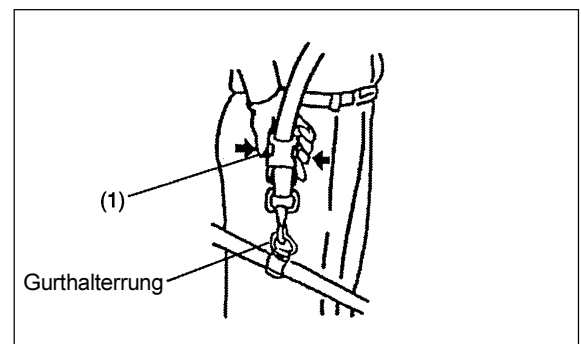
- Tragen Sie den Schultergurt über die rechte Schulter.
- Positionieren Sie den Hoch-Heckenschere rechts von Ihnen.
- Befestigen Sie den Schultergurt an der dafür vorgesehenen Aufhängevorrichtung und stellen Sie die Länge des Gurtes so auf ihre Bedürfnisse ein, dass komfortable Arbeitsbedingungen gewährleistet sind.



### Lösen

- Im Notfall drücken Sie die Kerben (1) an beiden Seiten, und Sie können das Gerät vom Körper lösen. Es ist jetzt äußerst wichtig, daß Sie die Kontrolle über das Gerät behalten. Das Gerät darf sich jetzt nicht gegen Ihren Körper hin biegen oder gegen eine andere Person im Arbeitsbereich.

**ACHTUNG:** Wenn Sie keine vollständige Kontrolle über das Gerät behalten, könnte dies ernsthafte Verletzungen zur Folge haben.



# KRAFTSTOFF/AUFTANKEN

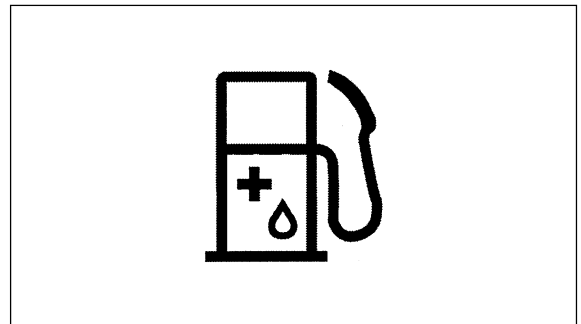


## Benzin/Öl-Mischung

- Das Antriebsaggregat des Hoch-Heckenscheres ist ein äußerst leistungsfähiger Zweitaktmotor, der mit einem Gemisch von Benzin und Zweitaktöl angetrieben wird. Der Motor ist für den Gebrauch von bleifreiem Normalbenzin mit einem Oktangehalt von min. 91 ROZ ausgelegt. Falls solches Benzin nicht verfügbar ist, kann stattdessen Benzin mit etwas niedrigerem Oktangehalt verwendet werden. Dies hat keinen schädlichen Einfluss auf den Motor, kann aber einen Leistungsabfall zur Folge haben. Dasselbe ist zu erwarten, wenn bleihaltiges Benzin verwendet wird. Der Natur und Ihrer Gesundheit zuliebe, und um optimale Motorleistung zu erreichen, sollten Sie jedoch möglichst bleifreies Benzin verwenden!
- Zur Schmierung des Motors muss dem Benzin ein Anteil Zweitaktöl (Qualitätsgrad TSC-3) beigemischt werden. Der Motor des Hoch-Heckenscheres wurde auf die Verwendung von umweltfreundlichem MAKITA-Zweitaktöl ausgelegt, welches in einem Verhältnis von 1:50 unter das Benzin gemischt wird. Dieses speziell entwickelte Öl erhöht die Lebenserwartung des Motors beträchtlich und garantiert optimale Motorleistung bei minimalem Schadstoffausstoß. Achten Sie unbedingt darauf, dass das Mischverhältnis von 50:1 (Benzin/MAKITA Zweitaktöl) aufs Genaueste eingehalten wird, da sonst zuverlässige Motorleistung nicht gewährleistet ist.
- Korrektes Mischverhältnis:  
50 Teile Benzin mit 1 Teil MAKITA Zweitaktöl vermischen (siehe auch Tabelle rechts).



**HINWEIS:** Mischen Sie zuerst die Gesamtmenge des benötigten Zweitaktöl mit der Hälfte des erforderlichen Benzins. Fügen Sie dann den Rest des Benzins hinzu und schütteln Sie das Gemisch kräftig, bevor Sie es dem Kraftstofftank des Hoch-Heckenscheres zugeben. Geben Sie nie mehr als die vorgeschriebene Menge Zweitaktöls hinzu, da dies nur einen Überschuss an Verbrennungsrückständen produzieren würde. Dies hätte wiederum zusätzliche Umweltbelastung zur Folge und könnte zu Verstopfung bei Zylinderauslass und Auspuff führen. Ferner müsste mit zusätzlichem Kraftstoffverbrauch und schlechterer Motorleistung gerechnet werden.



## Handhabung von fossilen Brennstoffen

Benzin enthält Lösungsmittel-ähnliche Substanzen und ist deshalb mit größter Vorsicht zu behandeln. Tanken Sie immer in einem gut gelüfteten Raum oder im Freien auf und vermeiden Sie es unbedingt, mit Benzin in Kontakt zu kommen, oder Benzindämpfe einzuatmen. Haut, die wiederholt, oder für längere Zeit mit Benzin in Kontakt kommt, trocknet aus und wird anfällig auf Hautkrankheiten oder allergische Reaktionen. Falls Benzin in Ihre Augen gerät, waschen Sie diese sofort mit frischem Wasser aus. Suchen Sie unverzüglich einen Arzt auf, falls durch das Auswaschen die Reizung nicht behoben werden kann.

Benzin	+	Öl
1000mL (1L) 5000mL (5L) 10000mL (10L)		20mL 100mL 200mL

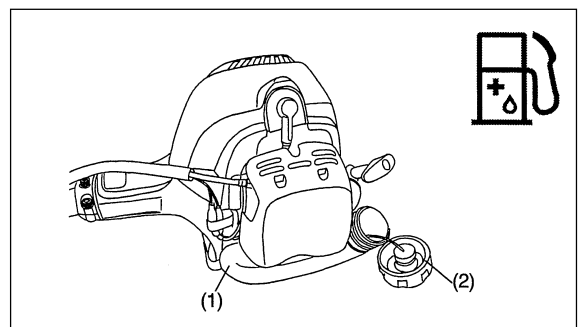
## Nachfüllen von Kraftstoff

### Der Motor muß abgeschaltet werden!

- Reinigen Sie den Bereich um den Einfüllverschluss (2) gründlich, um zu verhindern, daß Schmutz in den Kraftstoffbehälter (1) gelangt.
- Schrauben Sie den Einfüllverschluss (2) ab und füllen Sie den Tank mit Kraftstoff.
- Schrauben Sie den Einfüllverschluss (2) fest auf.
- Reinigen Sie den Einfüllverschluss (2) und den Tank nach dem Einfüllen von Kraftstoff.

## Lagerung von Kraftstoff

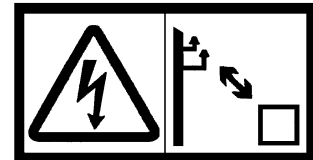
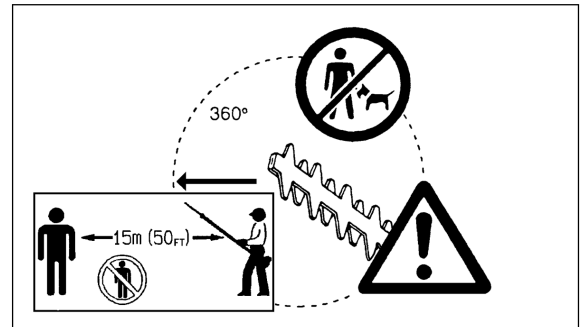
- Die Qualität des Kraftstoffes verringert sich mit der Dauer der Lagerzeit.
- Kaufen und lagern Sie nicht mehr Kraftstoff, als Sie über eine Frist von 4 Wochen verbrauchen können.
- Verwenden Sie ausschließlich zugelassene Kraftstoffkanister.



## VORSICHTSMAßNAHMEN VOR ANLASSEN DES MOTORS



- Vergewissern Sie sich, dass sich im Umkreis von 15 m um den Einsatzort des Gerätes keine Personen (insbesondere Kinder) und Tiere aufhalten.
- Überzeugen Sie sich vor dem Anlassen des Motors von der Betriebssicherheit " des Hoch-Heckenscheres. Überprüfen Sie die Schermesser auf Beschädigungen und testen Sie die Sicherheitsverriegelung des Gashebels. Beobachten Sie das Verhalten der Schermesser bei Leerlauf. Falls sich die Schermesser bei Leerlauf des Motors bewegen sollten, setzen Sie sich unbedingt mit Ihrem Händler zwecks Justierung in Verbindung. Stellen Sie fest, ob die Gashebelverriegelung sich leicht bedienen lässt und tadellos funktioniert. Testen Sie die Funktion des I-O-Schalters und vergewissern Sie sich, ob die Handgriffe sauber und trocken sind. Für das Starten des Hoch-Heckenscheres, folgen Sie unbedingt den Anweisungen in dieser Betriebsanleitung. Versuchen Sie unter keinen Umständen, den Motor auf andere Weise anzulassen (siehe "Motor starten").
- Starten Sie den Motor nur nachdem Sie die diesbezüglichen Anweisungen genau durchgelesen und vollständig verstanden haben. Versuchen Sie nie, den Motor eines unvollständig zusammengesetzten Hoch-Heckenscheres zu starten, da andernfalls mit schweren Verletzungen zu rechnen ist.
- Bevor Sie den Motor anlassen, überzeugen Sie sich davon, dass die Schermesser nicht mit festen Gegenständen wie Ästen, Steinen usw. in Berührung kommen.
- Untersuchen Sie das Arbeitsgebiet auf Drähte, Schnüre, Glas oder andere fremde Objekte, die in die Schermesser des Hoch-Heckenscheres geraten könnten.
- Um elektrische Schläge zu vermeiden, sollten Sie sich vor Arbeitsbeginn unbedingt die Lage aller elektrischen Leitungen in der Umgebung vergegenwärtigen.



## MOTOR STARTEN



Entfernen Sie sich mindestens 3 m von der Stelle wo das Gerät aufgetankt wurde. Legen Sie den Hoch-Heckenscher auf sauberen Untergrund und achten Sie darauf, dass die Schermesser nicht mit harten Gegenständen in Berührung kommen.

**Kaltstart** (Kalter Motor / Motor war über 5 Minuten nicht mehr in Betrieb / nach dem Auftanken)

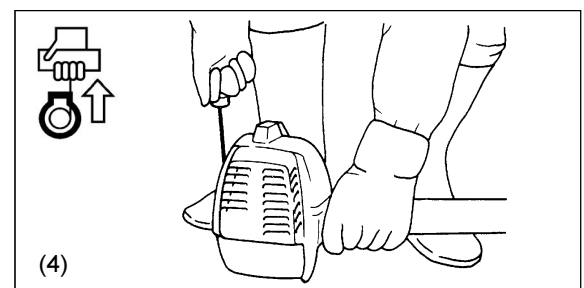
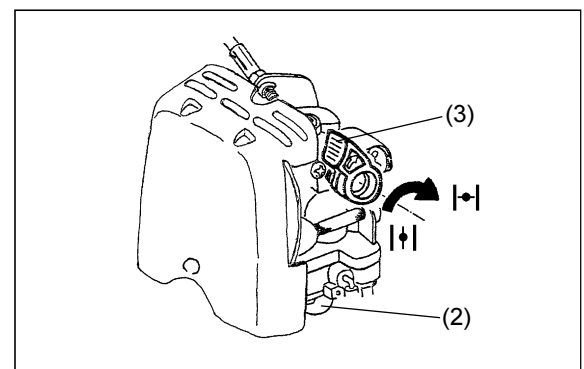
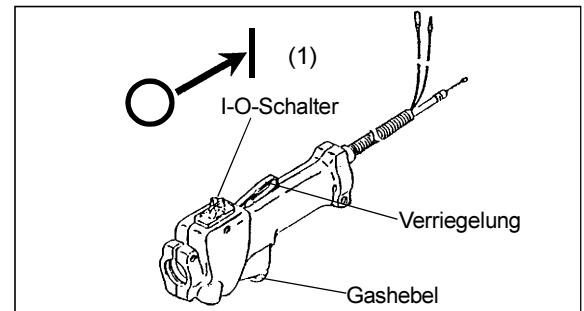
1. Stellen Sie den Start(I)/Stopp(O)-Schalter auf Betrieb "I".
2. Drücken Sie die Anlasseinspritzpumpe wiederholt (7 bis 10 mal) bis Kraftstoff fließt.
3. Stellen Sie den Choke (3) auf "I-O" (waagrechte Stellung).
4. Halten Sie den Motor mit einer Hand gegen den Boden (4).
5. Ziehen Sie das Starterseil etwa 10~15 cm aus dem Gehäuse, bis Sie einen Widerstand spüren.
6. Ziehen Sie kräftig am Starterseil (mehrmals falls nötig) bis der Motor anspringt.
7. Stellen Sie den Choke auf "I+I" zurück wenn der Motor läuft. Beachten Sie, dass der Choke automatisch zurückspringt, sobald der Gashebel betätigt wird. Damit der Gashebel betätigt werden kann, muss gleichzeitig die Gashebelverriegelung gedrückt werden.
8. Wärmen Sie den Motor bei mittlerer Drehzahl während 1 bis 2 Minuten auf.
9. Die Aufwärmphase ist beendet, sobald der Motor ruhig läuft und beim Beschleunigen nicht mehr stockt.

**Hinweis:** Wenn bei Choke-Stellung "I-O" der Starter mehrmals betätigt wird, kann es vorkommen, dass der Motor aufgrund übermäßiger Benzinzufuhr nicht mehr anspringen will. Falls der Motor wegen übermäßiger Benzinzufuhr nicht mehr anspringt, schrauben Sie die Zündkerze heraus und ziehen Sie sachte am Starterseil, um das überflüssige Benzin abzulassen. Trocknen Sie dann die Zündkerzen-Elektroden und schrauben Sie die Zündkerze wieder ein.

**Warmstart** (Sofortiger Neustart nach einem Motorstopp)

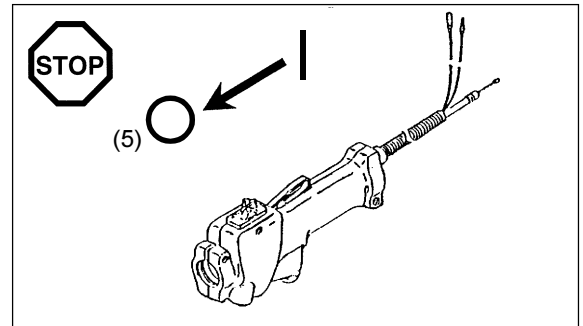
Verwenden Sie den Choke (3) nicht, wenn Sie den Motor nach dem Abstellen gleich wieder anlassen. Sollte der Motor nicht anspringen, müssen alle acht Schritte eines Kaltstarts (siehe oben) durchgeführt werden.

**Hinweis:** Lassen Sie den Starterknopf nach dem Anreißen des Motors nicht sofort los, sondern halten Sie den Knopf in Ihrer Hand, bis er von selbst in seine Ausgangsposition zurückgekehrt ist.



## MOTOR ABSTELLEN

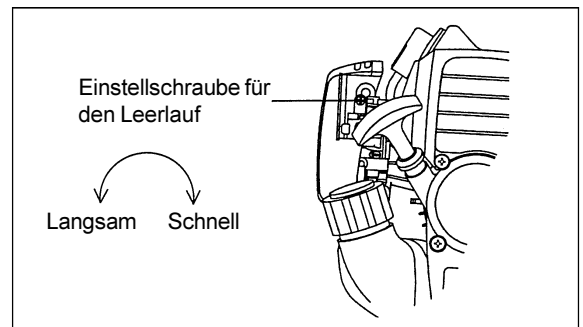
1. Lassen Sie den Gashebel los.
2. Bringen Sie den Start(I)/Stopp(O)-Schalter in die "STOPP"-Stellung "O".



## LEERLAUF ÜBERPRÜFEN UND EINSTELLEN

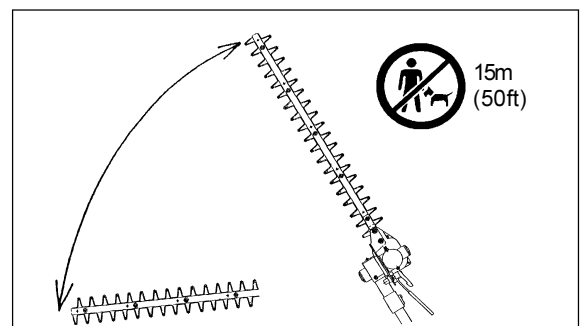
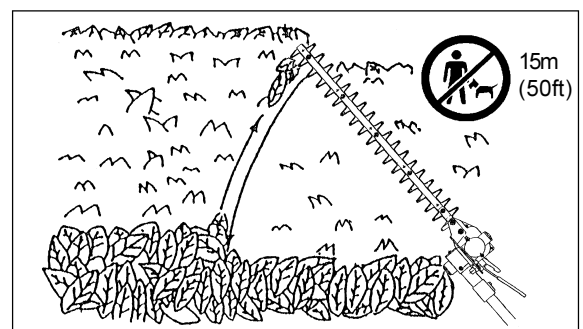
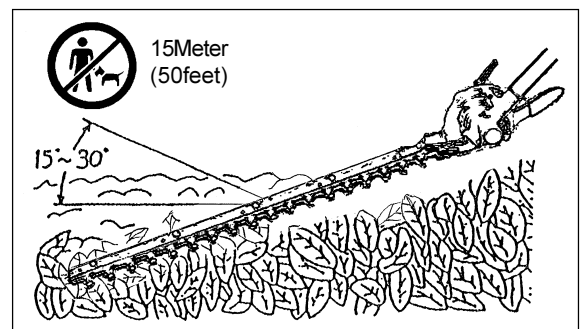
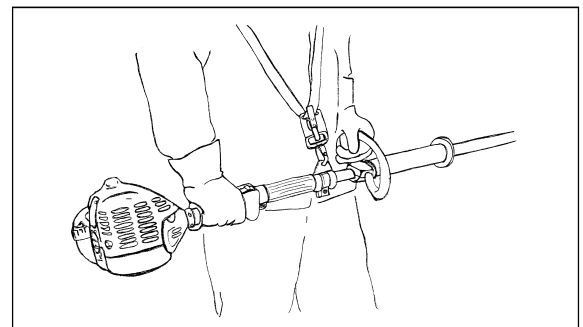
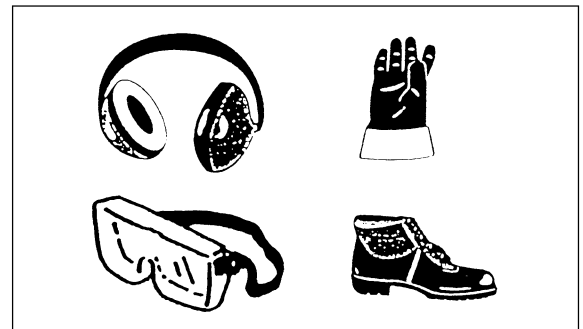
Die Schermesser des Hoch-Heckenscheres dürfen sich nicht bewegen, wenn sich der Motor im Leerlauf dreht.

- Die Mindestdrehzahl (Leerlauf) sollte bei  $3000 \text{ min}^{-1}$  liegen. Stellen Sie falls nötig den Leerlauf über die Einstellschraube am Vergaser ein (Drehzahl verringern, bis sich die Schermesser nicht mehr bewegen).
  - Schraube im Uhrzeigersinn drehen: Motor dreht schneller.
  - Schraube gegen den Uhrzeigersinn drehen: Drehzahl verringert sich.
- Berücksichtigen Sie einen ausreichenden Unterschied zwischen dem Leerlauf-Drehzahlbereich und dem Drehzahlbereich, bei dem die Kupplung einrastet (reduzieren Sie die Leerlauf Drehzahl weiter, falls nötig). Sollten sich auch nach sorgfältiger und korrekter Leerlauf-Einstellung die Schermesser immer noch bewegen, wenden Sie sich bitte an die nächste Vertrags-Kundendienststelle.
- Die Kupplung sollte bei einer minimalen Drehzahl von  $4000 \text{ min}^{-1}$  einrasten.
  - Überprüfen Sie, ob der STOPP-Schalter, die Gashebelverriegelung und der Gashebel richtig funktionieren.

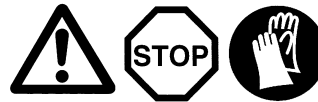


# BETRIEB DES HOCH-HECKENSCHERES

- Halten Sie den Hoch-Heckenschere bei der Arbeit stets mit beiden Händen fest.
- Berühren Sie unter keinen Umständen den Messerbalken, wenn der Hoch-Heckenschere in Betrieb ist, oder der Motor läuft.
- Vermeiden Sie es, die Abgase des Hoch-Heckenscheres einzuatmen. Betreiben Sie den Hoch-Heckenschere niemals in einem geschlossenen Raum, oder einem Umfeld mit unzureichender Belüftung (Erstickungs- und/oder Vergiftungsgefahr). Beachten Sie, dass Kohlenmonoxid ein geruchloses Gas ist, dass mit dem Geruchssinn nicht wahrgenommen werden kann.
- Kleiden Sie sich stets mit der vorgeschriebenen Schutzausrüstung ein, bevor Sie den Hoch-Heckenschere in Betrieb nehmen.
- Schalten Sie bei defektem Auspufftopf den Motor sofort ab.
- Betreiben Sie den Hoch-Heckenschere nur bei günstigen Licht- und Sichtverhältnissen.
- Benützen Sie den Hoch-Heckenschere nicht, wenn es dunkel oder neblig ist. Seien Sie besonders vorsichtig während der Wintermonate, da wegen nasser Flächen, Eis und Schnee erhöhte Rutschgefahr herrscht. Achten Sie stets auf sicheren Stand und guten Halt.
- Verwenden Sie den Hoch-Heckenschere nicht, wenn Sie sich auf instabilem Grund befinden und vermeiden Sie es unbedingt, das Gerät von einem steilen Abhang aus zu betreiben.
- Verwenden Sie den Hoch-Heckenschere nie auf einer Leiter stehend.
- Klettern Sie niemals auf einen Baum, um von dort aus mit dem Hoch-Heckenschere zu arbeiten.
- Untersuchen Sie das Arbeitsgebiet stets auf Drähte, Schnüre, Glas oder andere fremde Objekte, die in die Schermesser des Hoch-Heckenscheres geraten könnten.
- Bevor Sie mit dem Beschneiden einer Hecke beginnen, vergewissern Sie sich, dass die Schermesser sich schnell bewegen.
- Halten Sie den Hoch-Heckenschere immer mit beiden Händen und achten Sie darauf, dass Sie das Gerät beim Arbeiten stets fest im Griff haben.
- Damit konstante Kontrolle über das Gerät zu gewährleistet ist, muss jeder der beiden Handgriffe mit der entsprechenden Hand vollständig umfasst (Gegendruck mit Daumen) und kräftig festgehalten werden.
- Beachten Sie, dass sich die Schermesser noch für 1 bis 2 Sekunden bewegen, auch nachdem der Gashebel losgelassen wurde.
- Schneiden Sie nicht bei niedriger Motordrehzahl.
- Die Schnittgeschwindigkeit der Schermesser kann bei niedriger Motordrehzahl nicht richtig dosiert werden.
- Um die obere Fläche einer Hecke zu schneiden, halten Sie den Messerbalken des Hoch-Heckenscheres waagrecht und setzen ihn in einem Winkel von 15° bis 30° an. Beschneiden Sie dann die Oberfläche der Hecke mit einer schwingenden Bewegung, gerade so als ob Sie mit der Verlängerung Kreissegmente zeichnen würden.
- Für das Beschneiden der Heckenseiten, setzen Sie den Messerbalken parallel zur Seitenfläche an, um dann die Seite der Hecke mit halbkreisförmigen Aufwärtsbewegungen (von unten nach oben) zu trimmen.
- Seien Sie besonders vorsichtig beim Beschneiden einer Hecke, die entlang eines Zaunes oder einer Mauer gewachsen ist und achten Sie darauf, dass die Schermesser nicht mit Metall, Mauerwerk oder solidem Holz in Berührung kommen. Falls Sie mit den Schermessern in feste Materie schneiden, kann dies eine schwere Beschädigung der Schermesser, oder sogar des ganzen Gerätes zur Folge haben.
- Benützen Sie den Hoch-Heckenschere nicht pausenlos über längere Zeit. Planen Sie als Faustregel eine 10- bis 20-minütige Pause für jede 50 Betriebsminuten ein.
- Falls die Schermesser mit Steinen oder anderen festen Objekten in Berührung gekommen sein sollten, muss sofort den Motor abgeschaltet und die Messer auf Beschädigungen überprüft werden. Beschädigte Schermesser ersetzen.
- Falls der Hoch-Heckenschere während des Betriebs außergewöhnliches Verhalten entwickeln sollte (abnormale Geräusche, Vibrationen usw.), sofort Motor abschalten und das Gerät nicht mehr benutzen, bis das Problem erkannt und behoben ist.
- Versuchen Sie so gut es geht beim Arbeiten mit dem Hoch-Heckenschere Luftverschmutzung und Lärmbelastung möglichst niedrig zu halten. Achten Sie dabei besonders auf korrekte Vergasereinstellung.
- Falls sich dicke Äste in den Schermessern verfangen, schalten Sie sofort den Motor ab und entfernen Sie das Hindernis. Überprüfen Sie die Schermesser auf Beschädigungen, bevor Sie die Arbeit wieder aufnehmen.



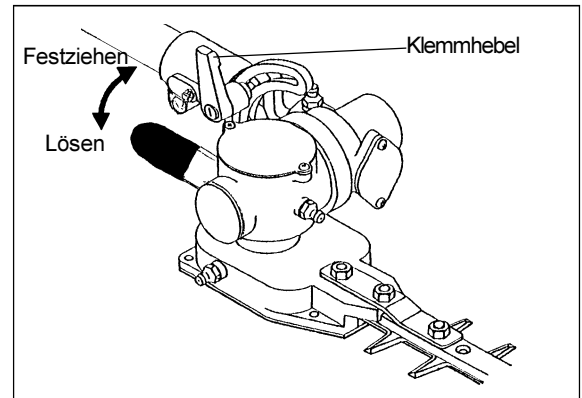
## Einstellung des Schnittwinkels



1. Schalten Sie den Motor des Hoch-Heckenscheres ab und legen Sie das Gerät auf den Boden.
2. Damit der Schnittwinkel des Messerbalkens eingestellt werden kann, muss zuerst der Klemmhebel am oberen Ende der Schneideeinheit gegen den Uhrzeigersinn gelöst werden.
3. Stellen Sie den Schnittwinkel des Messerbalkens ein und ziehen Sie den Klemmhebel im Uhrzeigersinn fest, um die Schneideeinheit zu sichern.
  - Der Schnittwinkel kann stufenlos zwischen  $-45^\circ$  und  $+90^\circ$  verstellt werden.

### Hinweis:

- Winkel des Messerbalkens nicht verstellen, wenn der Hoch-Heckenschere aufrecht gestellt ist.
- Stellen Sie den I-O-Schalter auf "O" und legen Sie den Hoch-Heckenschere flach auf den Boden, um den Schnittwinkel des Messerbalkens zu verstellen.
- Schermesser immer mit dem dazugehörigen Messerschutz versehen, bevor der Schnittwinkel des Messerbalkens verstellt wird.



## WARTUNG



- Bevor irgendwelche Unterhaltsarbeiten am Hoch-Heckenschere (z.B. Reinigung der Schermesser) vorgenommen werden, muss aus Sicherheitsgründen unbedingt zuerst der Motor abgeschaltet und der Zündkerzenstecker abgezogen werden.
- Versuchen Sie nie verbogene Schermesser geradezubiegen, oder gerissene Klingen zu schweißen.
- Schalten Sie den Motor in regelmäßigen Abständen ab, um die Schermesser auf eventuelle Beschädigungen zu überprüfen (Klopftest um mögliche Haarrisse ausfindig zu machen). Überzeugen Sie sich, dass die Schermesser gut geschärft sind.
- Reinigen Sie den Hoch-Heckenschere regelmäßig und prüfen Sie bei dieser Gelegenheit, ob alle Schrauben, Muttern und Bolzen fest angezogen sind.
- Führen Sie Unterhaltsarbeiten am Hoch-Heckenschere nie in der Nähe eines offenen Feuers aus (Brandgefahr).
- Tragen Sie immer robuste Schutzhandschuhe wenn Sie Schermesser handhaben.
- Zum Auswechseln von Schermessern wenden Sie sich bitte an Ihren Händler.

## Schärfen der Schermesser

Falls sich die Schnittleistung wegen stumpfer Schermesser erheblich verschlechtern sollte, lassen Sie die Schermesser in einer Vertragswerkstatt nachschärfen.

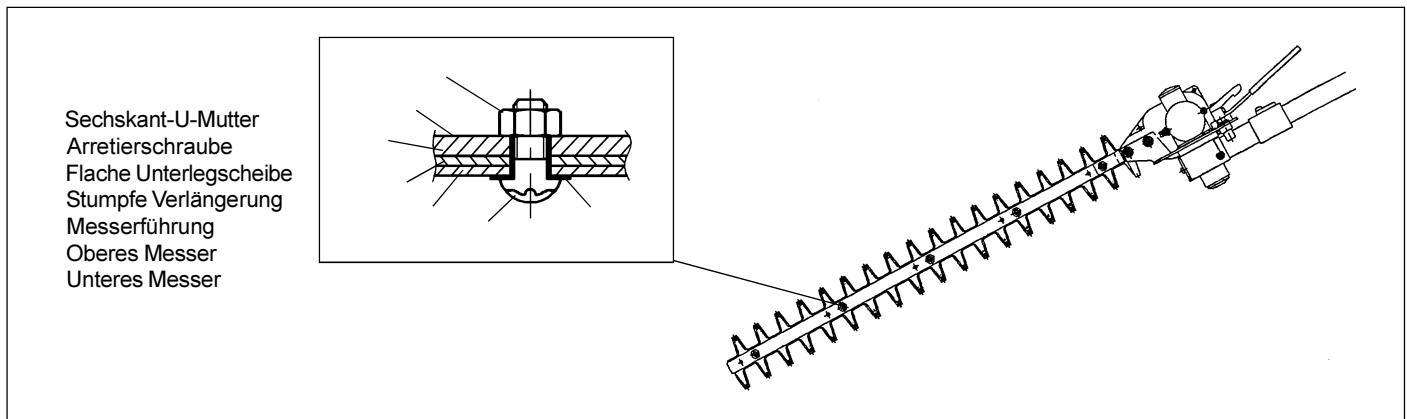
## Schermesser-Justierung



Da die Schermesser sich bei konstantem Gebrauch allmählich abnützen, verringert sich die Schnittleistung des Hoch-Heckenscheres mit der Zeit spürbar. Sollte sich die Schnittleistung erheblich verschlechtert haben, können die Schermesser justiert werden. Gehen Sie dazu wie folgt vor:

1. Mutter lösen.
2. Schraube leicht anziehen bis ein Widerstand spürbar ist. Dann Schraube um eine Vierteldrehung oder eine halbe Drehung zurückdrehen.
3. Schraube mit einem Schraubenzieher arretieren und die Mutter festziehen.
4. Nach der Justierung einen dünnen Film Öls auf die Schermesser auftragen.
5. Motor anlassen und Gashebel mehrmals betätigen, um die Schermesser für die Dauer von etwa einer Minute in Bewegung zu halten.
6. Motor abstellen und warten bis die Schermesser zum Stillstand kommen. Schermesser mit der bloßen Hand vorsichtig berühren. Die Justierung ist korrekt, falls die Messer warm, aber nicht zu heiß zum Anfassen sind. Sollten die Schermesser zu heiß sein, muss die Schraube um eine weitere Vierteldrehung oder halbe Drehung gelöst werden. Darauf Schritte 5 und 6 wiederholen, um die Justierung zu überprüfen.

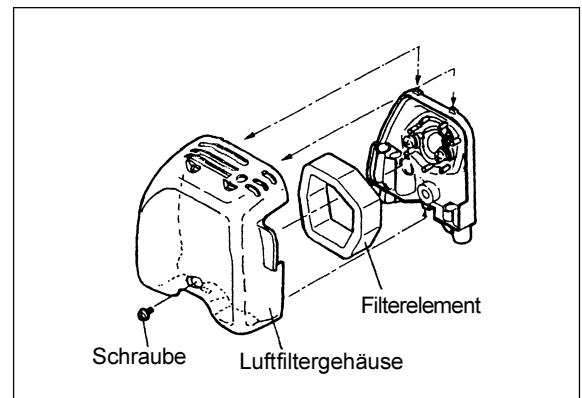
**HINWEIS:** Vor dem Justieren der Schermesser immer Motor abstellen und Zündkerzenstecker abziehen!  
Halten Sie die Rillen rund um die Arretierschrauben ② am Schermesser immer sauber, damit Sie auf eventuelle Beschädigungen überprüft werden können.



## Reinigung des Luftfilters – Alle 8 Betriebsstunden (täglich)

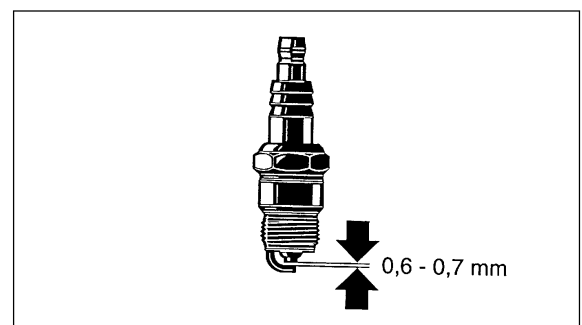
- Luftfiltergehäuse abmontieren.
- Filterelement herausnehmen, in lauwarmem Wasser waschen und vollständig trocknen lassen.
- Trockenes Filterelement wieder einsetzen und Luftfiltergehäuse montieren.

**Hinweis:** Reinigen Sie den Luftfilter täglich. Ein verstopfter Luftfilter kann das Anlassen und Beschleunigen des Motors erheblich erschweren, oder sogar verunmöglichen.



## Kontrolle der Zündkerze – Alle 8 Betriebsstunden (täglich)

- Verwenden Sie zum Ein- und Ausbau der Zündkerze nur den mitgelieferten Universalschlüssel.
- Der Abstand zwischen den zwei Elektroden der Zündkerze sollte 0,6 – 0,7 mm betragen. Justieren Sie den Abstand falls notwendig. Reinigen Sie die Elektroden gründlich von Ruß- und Ölrückständen, oder ersetzen Sie die Zündkerze mit einem Produkt des selben Typs.

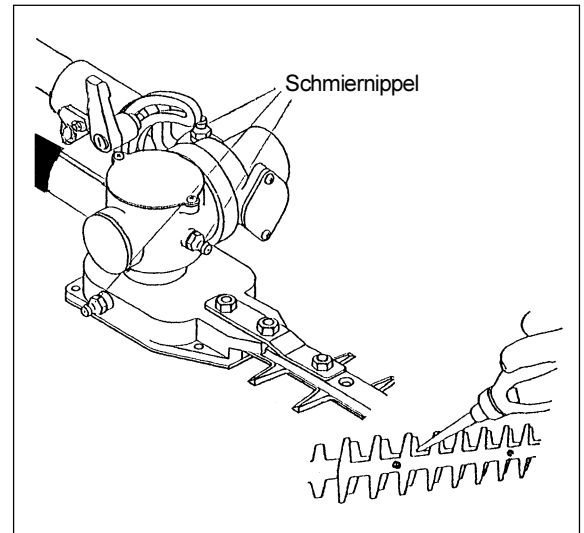




### Schmierung des Getriebekastens

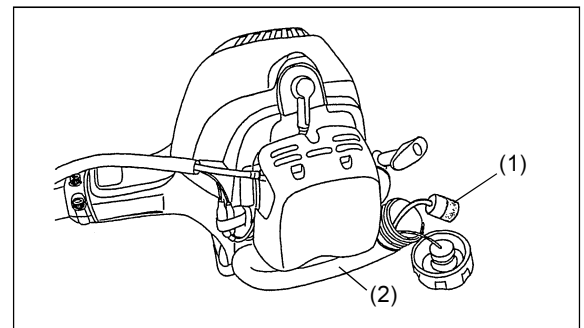
- Der Getriebekasten des Hoch-Heckenscheres muss alle 20 Betriebsstunden geschmiert werden. Geben Sie etwa 10 ccm Schmierfett (Shell Alvania Nr. 3 oder gleichwertig) über die Schmiernippel in den Getriebekasten. Falls bei der ersten Inbetriebnahme am Kopfstück des Getriebekastens (Basis des Schermessers) etwas Schmierfett heraustritt, kann angenommen werden, dass eine ausreichende Menge Schmierfetts hinzugegeben wurde.

Hinweis: Halten Sie sich unbedingt an die vorgeschriebenen Schmierperioden und Schmierfettmengen. Die mechanischen Teile des Hoch-Heckenscheres können Schaden nehmen, wenn nicht in den vorgeschriebenen Zeitabständen geschmiert wird, oder wenn nur eine unzureichende Menge Schmierfetts hinzugegeben wird.



### Kraftstofffilter

- Im Kraftstofftank befindet sich ein Filter (1), der zur Reinigung des Kraftstoffs dient, bevor dieser in den Vergaser gelangt.
- Der Filter muss in regelmäßigen Abständen visuell überprüft werden. Benutzen Sie zu diesem Zweck ein Stück gebogenen Drahts, um damit den Filter aus dem Tank (2) zu angeln. Ein verhärteter, stark verschmutzter und/oder verstopfter Filter muss ersetzt werden.
- Unzureichende Kraftstoffzufuhr als Folge eines unbrauchbar gewordenen Filters, kann die Motorleistung erheblich beeinträchtigen. Um stets ausreichende Kraftstoffzufuhr zu gewährleisten, sollte deshalb ein Kraftstofffilter bei zweifelhaftem Zustand immer sofort ausgewechselt werden.

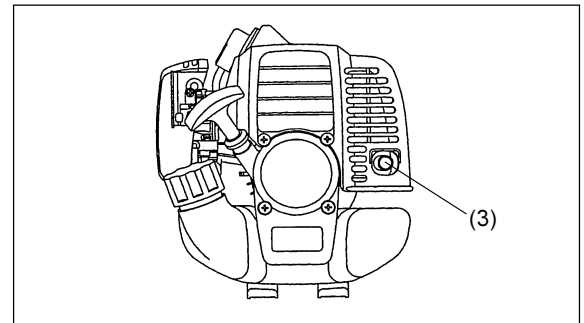


### Reinigung des Auspuffs

- Überprüfen Sie den Zustand der Auspufföffnung (3) in regelmäßigen Abständen.
- Benutzen Sie ein geeignetes Werkzeug, um Kohlenstoffrückstände in der Auspufföffnung zu entfernen. Geben Sie dabei darauf acht, dass keine Rückstände in den Motor geraten.

### Reinigung des Funkenlöschers

- Der Funkenlöcher sollte alle 50 Betriebsstunden gereinigt werden.
- Lassen Sie den Funkenlöcher bei Ihrem Händler oder einer Vertrags-Kundendienststelle reinigen.



Für alle Wartungs- und Reparaturarbeiten, die nicht in dieser Bedienungsanleitung erwähnt werden, wenden Sie sich bitte an Ihren Händler oder eine Vertrags-Kundendienststelle.

### Tägliche Inspektion und Wartung

Um eine lange Lebenserwartung des Hoch-Heckenscheres zu gewährleisten, sollten die folgenden Inspektions- und Wartungstätigkeiten täglich ausgeführt werden.

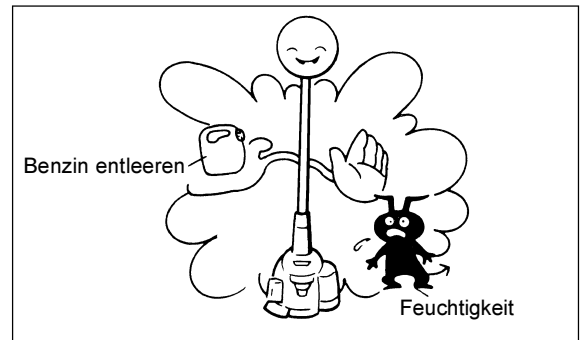
- Überprüfen Sie das Gerät vor Inbetriebnahme auf lose oder fehlende Teile. Achten Sie dabei besonders auf den Zustand des Messerbalkens und vergewissern Sie sich, dass die Arretierschrauben der Schermesser sich nicht gelockert haben.
- Überzeugen Sie sich, dass die Kühlluft-Kanäle und die Kühlrippen des Motors nicht verstopft sind. Reinigen Sie diese Teile falls nötig.
- Führen Sie folgende Tätigkeiten aus, bevor Sie den Hoch-Heckenschere nach getaner Arbeit wegräumen.
  - Hoch-Heckenschere äußerlich reinigen. Auf Beschädigungen und lose Teile überprüfen.
  - Luftfilter reinigen. Bei extremer Staubentwicklung sollte der Luftfilter mehrmals täglich gereinigt werden.
  - Schermesser auf Beschädigung überprüfen. Sichere Arretierung der Schermesser bestätigen.



## LAGERUNG

Falls der Hoch-Heckenschere über längere Zeit gelagert werden soll, gehen Sie wie folgt vor:

- Kraftstofftank entleeren und Restkraftstoff aus dem Vergaser entfernen.
- Schrauben Sie die Zündkerze ab und geben Sie einige Tropfen Öl in die Öffnung für die Kerze. Ziehen Sie darauf sachte am Starterseil und bewegen Sie den Kolben, um das Innere des Motors leicht zu schmieren. Schrauben Sie die Zündkerze wieder ein und ziehen Sie sie fest.
- Reinigen Sie den Hoch-Heckenschere gründlich und wischen Sie alle Metallteile mit einem ölgetränkten Lappen ab. Sichern Sie den Messerbalken mit dem dazugehörigen Messerschutz und lagern Sie den Teleskop-Heckenschneider an einem möglichst trockenen Ort.



## WARTUNGSPLAN

Allgemein	Motor Schrauben, Muttern, Bolzen	Auf allgemeinen Zustand und Sicherheit überprüfen Visuelle Schadeninspektion Sicherstellen dass Schrauben, Muttern und Bolzen festgezogen sind.
Nach dem Auftanken	Gashebel Verriegelung STOPP-Schalter	Funktionstest Funktionstest Funktionstest
Täglich	Luftfilter Kühlluftkanäle Schermesser  Leerlauf	Reinigen Reinigen Auf Beschädigung überprüfen, auf ausreichende Schärfe überprüfen Sicherstellen dass Schermesser sich bei Leerlauf nicht bewegen
Alle 20 Stunden	Getriebekasten	Schmieren
Wöchentlich	Zündkerze Auspuff	Prüfen, auswechseln falls nötig Prüfen, Öffnung reinigen falls nötig
Vierteljährlich	Kraftstofffilter Kraftstofftank	Reinigen oder auswechseln falls nötig Innenreinigung
Vor Lanzeitlagerung	Kraftstofftank Vergaser	Entleeren Motor laufen lassen bis kein Kraftstoff mehr vorhanden ist

## FEHLERSUCHE

Fehler	System	Zustand	Ursache
Motor startet nicht oder nur mit Schwierigkeiten	Zündsystem	Zündfunke vorhanden	Fehler in der Kraftstoffzufuhr oder in der Kompression, mechanischer Defekt
		Kein Zündfunke	START(I)/STOPP(O)-Schalter in STOPP-Stellung; Verdrahtungsfehler oder Kurzschluss, Zündkerze oder Kerzenstecker defekt, fehlerhaftes Zündmodul
	Kraftstoffzufuhr	Kraftstofftank voll	Falsche Choke-Stellung, Vergaser defekt, Kraftstofffilter verschmutzt, Kraftstoffleitung geknickt oder verstopft
	Kompression	Innerhalb des Motors	Zylinderbodendichtung defekt, Kurbelwellendichtungen beschädigt, Zylinder- oder Kolbenringe schadhaf
		Außerhalb des Motors	Lose Zündkerze, schlecht sitzende Zündkerzendichtung
	Mechanisch	Starter funktioniert nicht	Defekte Rückholfeder, defekte Motorteile
Probleme bei Warmstart		Tank voll, Zündfunke vorhanden	Vergaser verschmutzt (Vergaser reinigen lassen).
Motor startet, stirbt aber gleich wieder ab	Kraftstoffzufuhr	Tank voll	Leerlauf schlecht eingestellt, Kraftstofffilter oder Vergaser verschmutzt.
			Benzintank-Entlüftung defekt, Benzinleitung unterbrochen, Kabel oder STOPP(O)-Schalter fehlerhaft.
Unbefriedigende Leistung	Mehrere Systeme können gleichzeitig betroffen sein	Verhalten des Motors im Leerlauf unbefriedigend	Luftfilter verschmutzt, Vergaser verschmutzt, Auspuffdämpfer verstopft, Zylinderauslass verstopft.

Vi ringraziamo per aver acquistato il tagliaerba a scoppio Makita. Siamo fieri di offrirvi un prodotto risultato di un programma intensivo di ricerca e di molti anni di esperienza e studio.

Per ottenere in tutta sicurezza i risultati migliori possibili dal tagliaerba a scoppio Makita, leggere questo manuale interamente prima di usare la macchina e seguire tutte le norme illustrate in questo manuale per assicurarsi che funzioni in modo corretto.



<b>Indice</b>	<b>Pagina</b>
Simboli	50
Norme di sicurezza	51~54
Dati tecnici	55
Nome delle varie parti	56
Collegamento del tagliaerba a scoppio al suo prolungamento	57
Applicazione della maniglia	57
Uso della spallina	57
Carburante/rifornimento carburante	58
Precauzioni prima dell'avviamento del motore	59
Avviamento del motore	59
Arresto del motore	60
Controllo e regolazione del minimo	60
Uso del tagliaerba a scoppio	61~62
Manutenzione	62~64
Immagazzinaggio	65
Programma di manutenzione	65
Diagnostica	65

## SIMBOLI

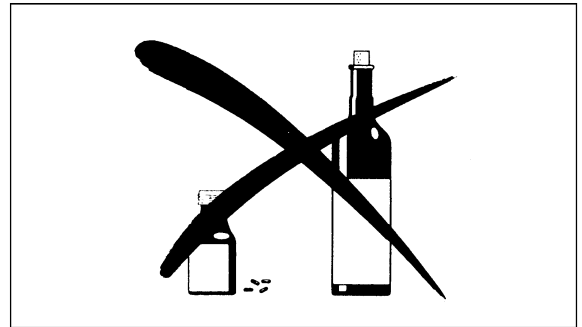
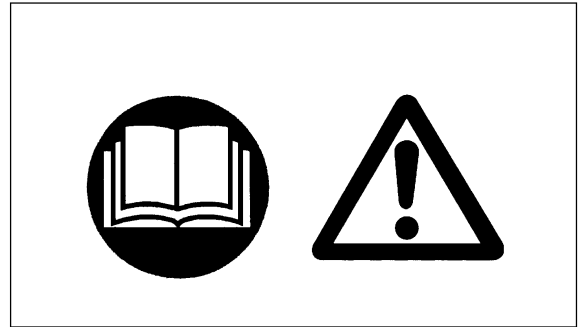
I simboli usati nel presente manuale hanno il seguente significato.

	AVVERTENZA/PERICOLO		Attenzione alle mani.
	Prima dell'uso, leggere con attenzione ed accertarsi di aver capito le istruzioni del manuale.		Fare attenzione alle linee elettriche. Pericolo di folgorazione.
	PROIBIZIONE		Miscela di olio e benzina
	Non fumare.		Avvio manuale del motore
	Evitare fiamme non protette.		Arresto di emergenza
	Portare scarpe da lavoro.		Pronto soccorso
	Portare guanti da lavoro.		Riciclabile
	Tenere persone ed animali lontani dall'area di lavoro.		ACCENSIONE/AVVIO
			OFF/STOP
	Portare un casco, occhiali e copriorecchie.		Marchio CE

# NORME DI SICUREZZA

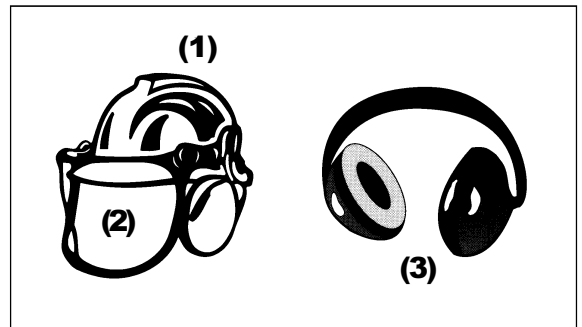
## Norme di carattere generale

- Prima dell'uso, leggere con attenzione e per intero questo manuale e familiarizzarsi bene con i suoi comandi per poterne fare uso in modo corretto. **QUESTA MACCHINA, SE USATA IN MODO SCORRETTO, PUÒ CAUSARE LESIONI GRAVI!**
- Quando si presta il tagliasiepi prolungato a scoppio, accompagnarlo sempre da dettagliate istruzioni su come usarlo in tutta sicurezza. Quando si presta il tagliasiepi prolungato a scoppio, prestare sempre anche il manuale che lo accompagna.
- Gli utenti inesperti devono chiedere al loro negoziante di fiducia spiegazioni sull'uso corretto del tagliasiepi prolungato a scoppio.
- Conservare questo manuale in un luogo sicuro così da poterlo consultare rapidamente al momento del bisogno.
- Non permettere a bambini o minorenni di fare uso del tagliasiepi prolungato a scoppio. Gli individui oltre i 16 anni possono tuttavia farne uso a scopo di addestramento sotto la supervisione di un adulto qualificato che ne conosca bene l'uso.
- Usare sempre il tagliasiepi prolungato a scoppio facendo la massima attenzione alle norme di sicurezza.
- Usare il tagliasiepi prolungato a scoppio con le dovute precauzioni.
- Non fare uso del tagliasiepi prolungato a scoppio nelle seguenti circostanze. Si possono altrimenti verificare incidenti.
  - Quando si è stanchi o ammalati.
  - Dopo aver consumato alcool e/o aver preso medicine.
  - Di notte o in condizioni di scarsa illuminazione.
  - Durante la gravidanza.



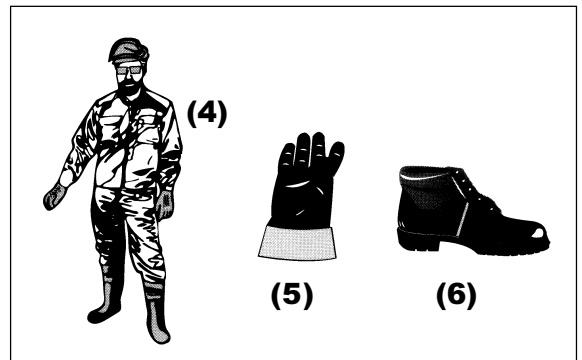
## Uso previsto

- Questo tagliasiepi prolungato a scoppio è stato progettato solo per il taglio di siepi ed arbusti da 6 mm di diametro massimo. Non usarlo per alcun altro scopo.



## Equipaggiamento protettivo

- Gli abiti portati devono essere funzionali ed aderenti senza però ostacolare i movimenti. Non portare gioielli o abiti che possono rimanere presi negli arbusti o nella macchina.
- Per una protezione adeguata della testa, degli occhi, dei piedi, delle mani e dell'udito, usare sempre gli abiti e le protezioni che seguono durante il lavoro con il tagliasiepi prolungato a scoppio.
- Per evitare ferite alla testa o agli occhi, portare sempre un casco (1) con occhiali o un visore (2).
- Per evitare danni all'udito, portare sempre paraorecchie (3).
- Si raccomanda fortemente l'uso di una tuta da lavoro (4) rinforzata.
- Per lavorare con il tagliasiepi prolungato a scoppio, usare sempre guanti da lavoro robusti in cuoio (5).
- Per lavorare con il tagliasiepi prolungato a scoppio, portare sempre scarpe robuste con soles antisdrucciolo. Usando scarpe speciali da lavoro vi assicurerete una buona presa e una certa protezione dalle ferite.



### Avvio del tagliaiepi prolungato a scoppio

- Lasciare sempre attorno a sé 15 m di spazio libero. Controllare sempre che tutte le persone, ed in particolare i bambini, e/o animali astanti si trovino all'esterno di tale area. In generale, evitare di usare il tagliaiepi prolungato a scoppio in vicinanza di persone, ed in particolare bambini.
- Prima di avviare il tagliaiepi prolungato a scoppio, controllare che esso funzioni a dovere.
- Controllare prima di tutto il funzionamento del meccanismo di sicurezza della leva del gas. La leva di blocco deve potersi muovere con facilità. Controllare che essa funzioni a dovere. Controllare inoltre che il manubrio sia pulito e asciutto e provare l'interruttore STOP per controllare che funzioni correttamente.

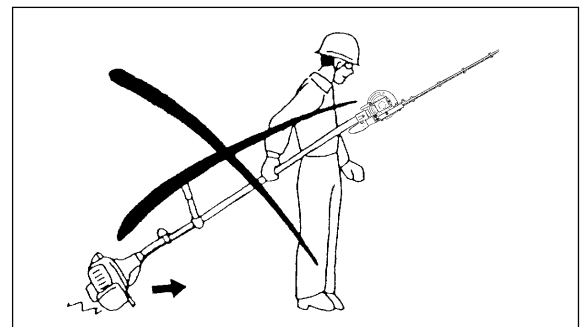
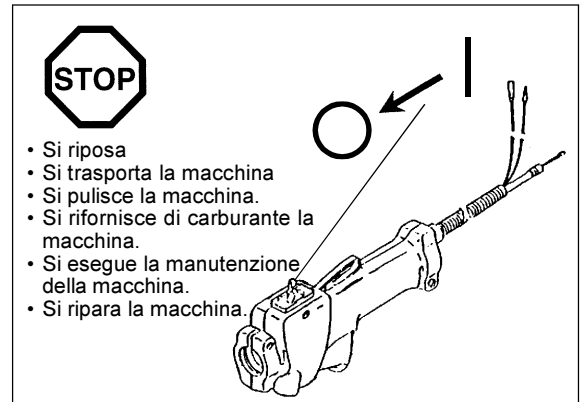
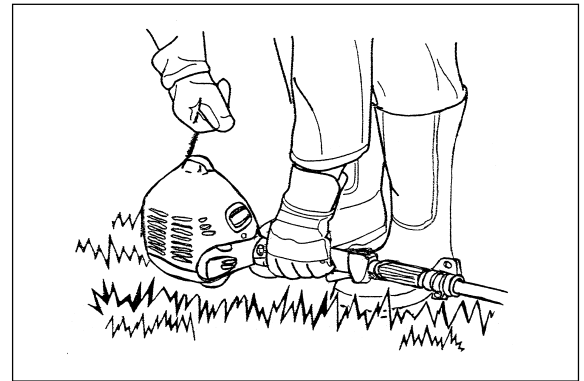
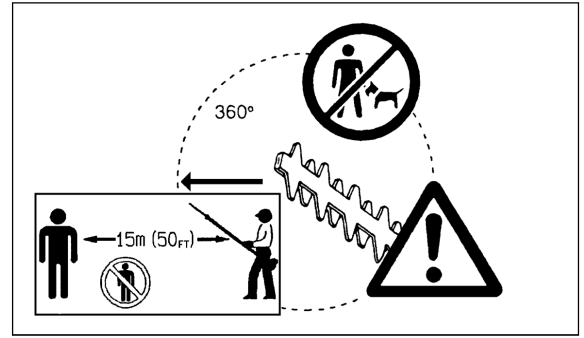
Avviare sempre il tagliaiepi prolungato a scoppio in accordo con le norme di sicurezza riportata in questo manuale.

### Per avviare il tagliaiepi prolungato a scoppio, seguire le istruzioni che seguono.

- Avviare il tagliaiepi solo dopo che la macchina è stata del tutto montata e tutti i suoi accessori installati.
- Prima di avviare il motore, controllare che le lame del tagliaiepi prolungato a scoppio non siano bloccate da pietre, arbusti, ecc.
- Fermare immediatamente il motore non appena si verifica un problema.
- Quando si lavora con il tagliaiepi prolungato a scoppio, mantenere sempre una buona presa sul manubrio. Afferrare con forza le due maniglie, chiudendole fra il pollice e le altre dita. Per evitare di perdere il controllo del tagliaiepi prolungato a scoppio, non lasciarne andare mai le manopole. Controllare che esse siano in buone condizioni e libere da fango, umidità, olio o grasso.

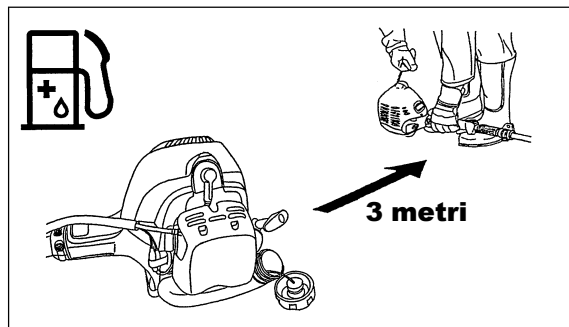
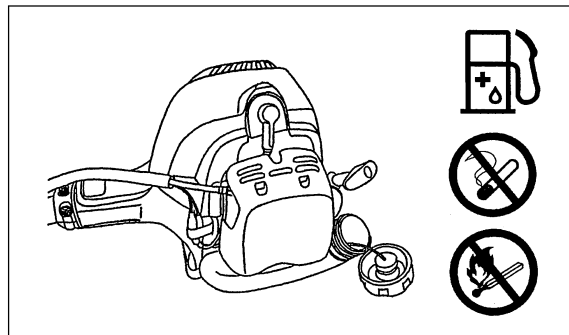
### Poggiare sempre i piedi in un luogo sicuro e con un buon bilanciamento.

- Usare il tagliaiepi prolungato a scoppio solo all'aperto.
- Se si hanno problemi al motore o se la macchina produce rumori anormali, fermare immediatamente il motore ed interrompere il lavoro.
- I gas di scarico sono velenosi. Non usare mai il tagliaiepi prolungato a scoppio al coperto o in un tunnel non ventilato. Si correrebbe altrimenti il rischio di soffocare o rimanere intossicati. Tenere presente che il monossido di carbonio è un gas inodore. Accertarsi che l'area di lavoro sia sempre ben ventilata.
- Durante le pause di lavoro o quando il tagliaiepi prolungato a scoppio viene lasciato incustodito, spegnerne il motore. Mettere la macchina in un luogo sicuro e controllare che non sia vicina a materiali combustibili.
- Non posare mai il tagliaiepi caldo vicino a erba secca o materiale combustibile.
- Per ridurre il rischio di incendi, tenere il motore e la marmitta liberi da detriti, foglie o lubrificante eccessivo.
- Non azionare mai il motore se la marmitta non funziona.
- Prima di trasportare il tagliaiepi prolungato a scoppio, spegnere sempre il motore.
- Spegnerne sempre il motore nelle seguenti circostanze.  
Quando:
  - Si riposa
  - Si trasporta la macchina
  - Si pulisce la macchina.
  - Si rifornisce di carburante la macchina.
  - Si esegue la manutenzione della macchina.
  - Si ripara la macchina.
- Se si trasporta la macchina con un veicolo, fermarla sempre in modo sicuro per evitare che perda carburante.
- Se si trasporta la macchina con un veicolo, svuotare prima il serbatoio del carburante.
- Quando si scarica la macchina da un veicolo, fare molta attenzione a non farla cadere a terra, dato che ciò può danneggiare seriamente il serbatoio del carburante.
- Salvo in emergenza, non lasciar mai cadere il tagliaiepi prolungato a scoppio, dato che ciò può danneggiarlo seriamente.
- Quando si trasporta il tagliaiepi prolungato a scoppio, sollevarlo sempre completamente dal suolo. Non trascinarlo mai il tagliaiepi prolungato a scoppio, ma sollevarlo da terra completamente, dato che altrimenti si può danneggiare il serbatoio del carburante e causare un incendio.
- Usare sempre la copertura in dotazione per proteggere e fermare la sezione di taglio del tagliaiepi durante il trasporto o l'immagazzinaggio.



### Rifornimento carburante

- Prima del rifornimento, fermare il motore.
- Non fare mai rifornimento vicino a fiamme non protette.
- Non fumare durante il rifornimento di carburante.
- Prima di fare rifornimento di carburante, lasciare che il motore si raffreddi bene.
- Fare attenzione ad evitare che la pelle entri in contatto con derivati del petrolio. Non aspirare i vapori di carburante e portare guanti protettivi durante il rifornimento. Cambiare le varie protezioni ad intervalli regolari.
- Fare molta attenzione ad evitare di versare carburante ed olio per evitare di contaminare il suolo (protezione dell'ambiente). Se si versa carburante o olio sul tagliasepi prolungato a scoppio, pulirlo immediatamente con un panno. Per evitare la combustione spontanea, permettere a panni imbevuti di benzina di asciugarsi prima di gettarlo in un contenitore adatto e chiuso.
- Controllare che il carburante non entri in contatto con i vostri abiti. Togliere immediatamente abiti contaminati da carburante. Esiste il pericolo di incendio.
- Chiudere il serbatoio del carburante e stringere bene il suo tappo. Per riavviare il motore, trasferire il tagliasepi prolungato a scoppio in un luogo almeno 3 metri dal luogo dove si è effettuato il rifornimento.
- Controllare ad intervalli regolari che il tappo del serbatoio del carburante sia bene chiuso.
- Non fare mai rifornimento in una stanza chiusa. I vapori di carburante si accumulano a livello del suolo, creando il pericolo di esplosioni.
- Conservare il carburante solo in contenitori adatti e che tali contenitori siano lontani dalla portata di bambini.
- Per evitare danni alle tubazioni del carburante e ad altre parti del motore, evitare carburante contenente etanolo o metanolo quando si miscela carburante con olio per motori a due tempi.



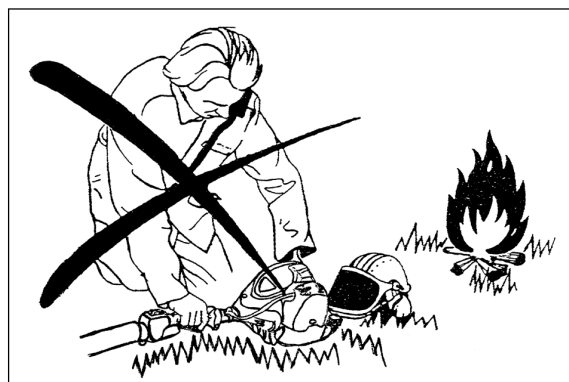
### Durante il lavoro

- Durante il lavoro, tenere sempre il tagliasepi prolungato a scoppio con ambedue le mani.
- Usare il tagliasepi prolungato a scoppio solo in condizioni di buona luce e visibilità. Fare attenzione alle superfici scivolose e bagnate, ad esempio neve e ghiaccio, durante l'inverno, dato che si può scivolare, e assicurarsi sempre di aver appoggiato i piedi in una posizione sicura.
- Non usare mai il tagliasepi prolungato a scoppio da una posizione instabile o su di una superficie molto inclinata.
- Non usare mai il tagliasepi prolungato a scoppio stando su di una scala a pioli.
- Non usare mai il tagliasepi prolungato a scoppio stando su di un albero.
- Per evitare di cadere o inciampare, non camminare mai all'indietro durante l'uso del tagliasepi prolungato a scoppio.
- Prima di pulire o riparare il tagliasepi prolungato a scoppio, fermare sempre il motore. Evitare anche di sostituire parti prima di aver fermato il motore.
- Non usare il tagliasepi prolungato a scoppio se l'unità di taglio è danneggiata o consumata.



### Istruzioni per la manutenzione

- Fare sempre tutto il possibile per tenere l'inquinamento ed il rumore prodotti dal tagliasepi prolungato a scoppio durante il lavoro al minimo. Fare attenzione in particolare alla carburazione.
- Pulire il tagliasepi prolungato a scoppio ad intervalli regolari e controllare periodicamente se tutti i dati ed i bulloni sono ben stretti.
- Non assistere o riporre mai il tagliasepi prolungato a scoppio vicino a fiamme non protette, sorgenti di scintille, ecc.
- Prima di riporre il tagliasepi prolungato a scoppio, svuotarne il serbatoio del carburante e quindi riporlo in una stanza chiusa e ben aerata. Controllare che sia sempre fuori della portata di bambini.
- Per evitare danni e/o ferite, evitare di riparare il tagliasepi prolungato a scoppio da sé se non si è qualificati per farlo. Per eventuali riparazioni, entrare sempre in contatto con un concessionario o agente di servizio autorizzato.



Non tentare di modificare o rimodellare il tagliasepi prolungato a scoppio, dato che ciò ne può influenzare le prestazioni e l'affidabilità.

Le operazioni di assistenza che possono venire eseguite dall'utente sono solo quelle descritte in questo manuale. Tutte le altre devono venire affidate a personale specializzato.

Usare solo pezzi di ricambio e accessori originali forniti da Makita attraverso i suoi centri di servizio autorizzati.

L'uso di accessori ed utensili non autorizzati può causare incidenti e ferite.

MAKITA non accetta alcuna responsabilità per incidenti o danni dovuti all'uso di accessori e parti non autorizzati.

#### **Pronto soccorso**

Come precauzione contro gli incidenti, controllare che sia sempre disponibile un corredo di pronto soccorso ben fornito.

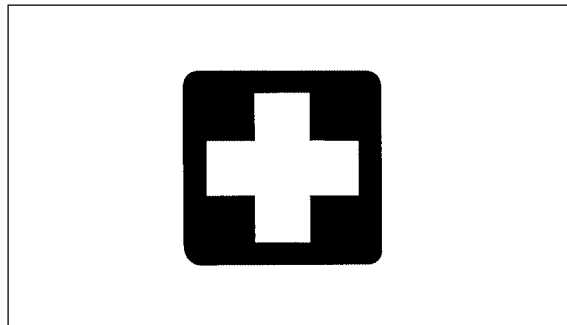
Sostituire immediatamente quanto viene usato del corredo di pronto soccorso.

#### **Quando si richiede assistenza in caso di emergenza, dare le seguenti informazioni.**

- Luogo dell'incidente
- Cosa è successo
- Numero di persone ferite
- Ferite riportate
- Il vostro nome

#### **Imballaggio**

Il tagliasiipi prolungato a scoppio viene consegnato in una scatola protettiva in cartone per evitare che venga danneggiato durante la spedizione. Il cartone è un materiale facilmente riciclabile e riutilizzabile, ad esempio come carta.



## **DICHIARAZIONE DI CONFORMITÀ ALLE NORME CE**

#### **Modello: PTR2500**

Con la presente dichiariamo sotto la nostra esclusiva responsabilità che questo prodotto è conforme agli standard ISO11806, EN774, ISO11680, e EN55012 emanati in accordo alla direttiva 89/392CEE, successivamente modificata dalla 98/37/CEE e dalla 93/68/CEE, e alla direttiva 89/336/CEE successivamente modificata dalla 92/31/CEE.

Pressione acustica misurata: 106 db

Pressione acustica garantita: 108 db

Tali valori di pressione acustica sono stati misurati in accordo alla direttiva 2000/14/CEE.

Procedura di valutazione di conformità: Appendice 5.

CE2007

Tomoyasu Kato  
Direttore

Produttore responsabile:

**Makita Corporation.**

3-11-8, Sumiyoshi-cho, Anjo, Aichi, GIAPPONE

Rappresentante esclusivo per l'Europa:

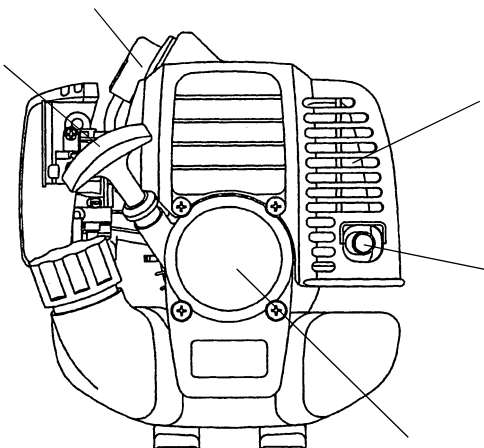
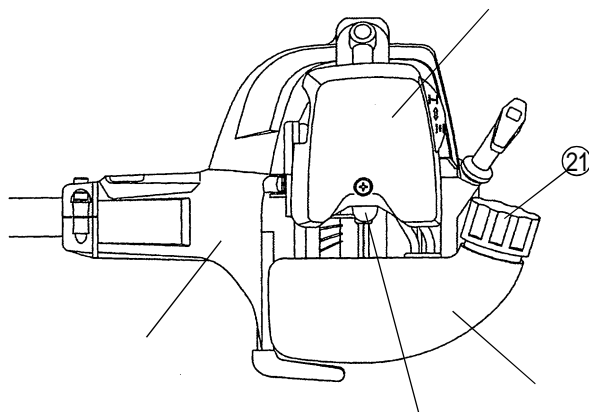
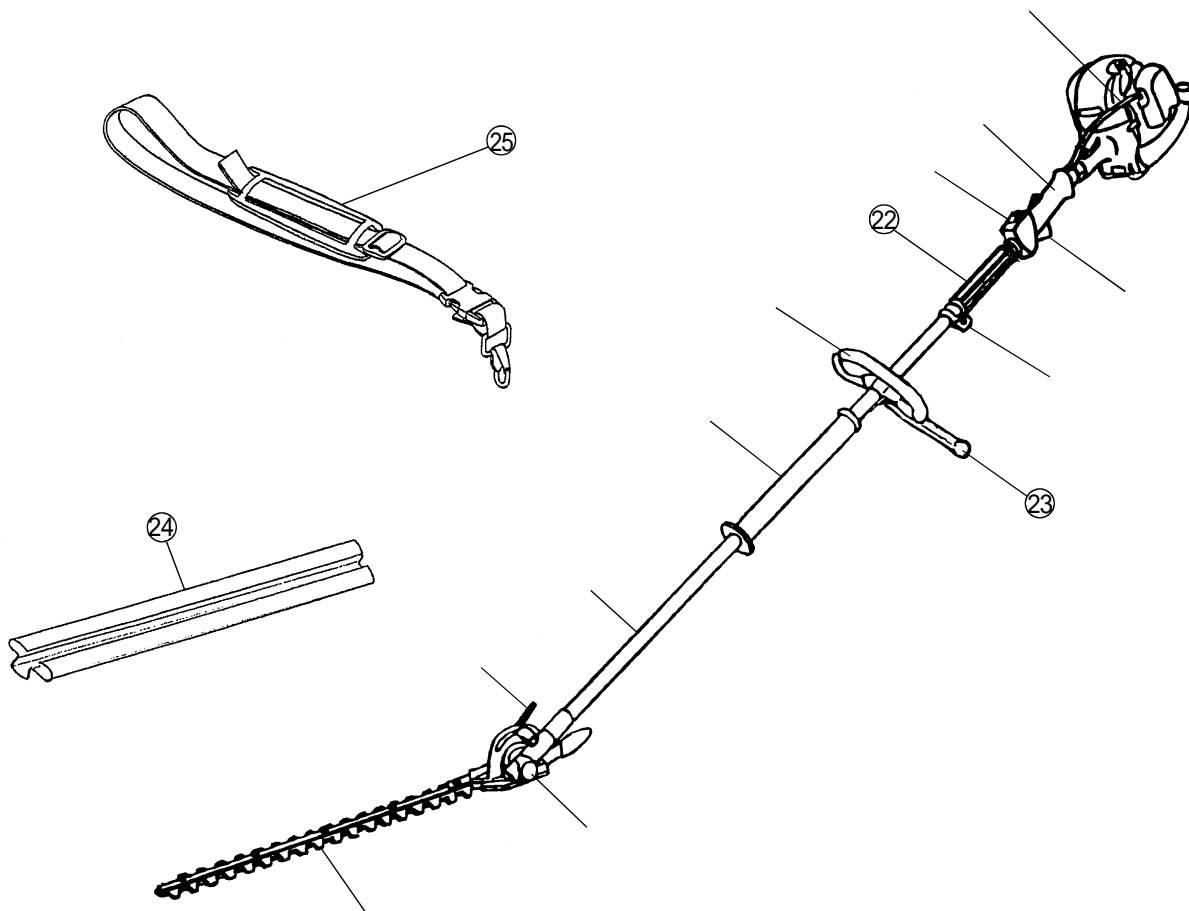
**Makita International Europe Ltd.**

Michigan Drive, Tongwell, Milton Keynes, Bucks MK15 8JD, INGHILTERRA

## DATI TECNICI : PTR2500

Modello		PTR2500		
		Maniglia circolare e manopola		
Dimensioni (L x P x A)	mm	2400 x 350 x 220		
Peso	kg	6.1		
Volume (serbatoio carburante)	L	0.65		
Lunghezza del taglio	mm	535		
Cilindrata motore	cc	24.5		
Prestazioni massime motore		0.75 KW a 7000 min <sup>-1</sup>		
Gpm motore alla velocità massima raccomandata dell'albero	min <sup>-1</sup>	10,000		
Consumo carburante	kg/h	0.54		
Consumo specifico carburante	g/KWh	735		
Regime minimo	min <sup>-1</sup>	3000		
Regime innesto frizione	min <sup>-1</sup>	4100		
Tipo di carburatore (a diaframma)		WALBRO WYJ		
Tipo di accensione		A stato solido		
Candela		NGK BMR7A		
Intervallo elettrodi		mm	0.6-0.7	
Vibrazioni per ISO7916	Maniglia destra (manopola posteriore)	Minimo	m/s <sup>2</sup>	3.63
		Lavoro	m/s <sup>2</sup>	8.01
	Maniglia sinistra (maniglia)	Minimo	m/s <sup>2</sup>	7.24
		Lavoro	m/s <sup>2</sup>	12.00
	Maniglia sinistra (manopola anteriore)	Minimo	m/s <sup>2</sup>	4.74
		Lavoro	m/s <sup>2</sup>	8.44
Vibrazioni per ISO11680	Maniglia destra (manopola posteriore)	Minimo	m/s <sup>2</sup>	4.41
		Lavoro	m/s <sup>2</sup>	7.81
	Maniglia sinistra (maniglia)	Minimo	m/s <sup>2</sup>	11.76
		Lavoro	m/s <sup>2</sup>	13.65
	Maniglia sinistra (manopola anteriore)	Minimo	m/s <sup>2</sup>	4.36
		Lavoro	m/s <sup>2</sup>	8.23
Pressione media suono		ISO7917	dB (A)	90.0
Potenza media suono		ISO10884	dB (A)	102.8
Miscela (carburante: olio a due tempi MAKITA)				50:1
Rapporto cambio				1/4

## NOME DELLE VARIE PARTI



	Nome delle varie parti
1	Serbatoio carburante
2	Avviamento a corda
3	Filtro aria
4	Interruttore accensione (ON/OFF)
5	Candela
6	Marmitta
7	Scatola frizione
8	Manopola posteriore
9	Gancio
10	Maniglia
11	Leva acceleratore
12	Cavo acceleratore
13	Albero
14	Lame
15	Manopola anteriore
16	Manopola avvio
17	Pompa carburante
18	Scatola cambio
19	Tubo scarico
20	Leva fissaggio
21	Tappo serbatoio
22	Distanziale
23	Barriera
24	Copertura lame
25	Spallina



## COLLEGAMENTO DEL TAGLIASIEPI PROLUNGATO AL SUO PROLUNGAMENTO



### Importante:

Prima di applicare il prolungamento al taglia siepi prolungato, controllare che il motore sia spento e quindi togliere la candela.  
Portare guanti protettivi.

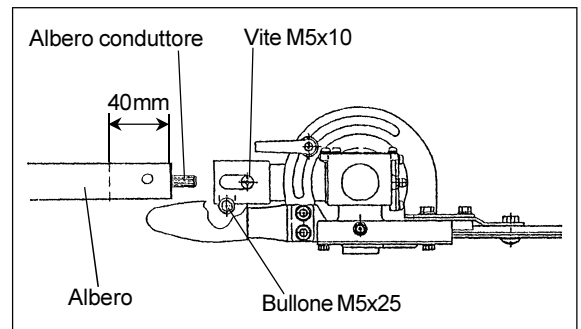
Fermare le lame con il loro coperchio prima di montare il taglia siepi prolungato a scoppio.

- Allentare la vite M5x10 ed il bullone M5x25.
- Inserire l'albero nella scatola del cambio.

NOTE: Controllare che l'albero sia del tutto inserito nella scatola del cambio (circa 40mm).

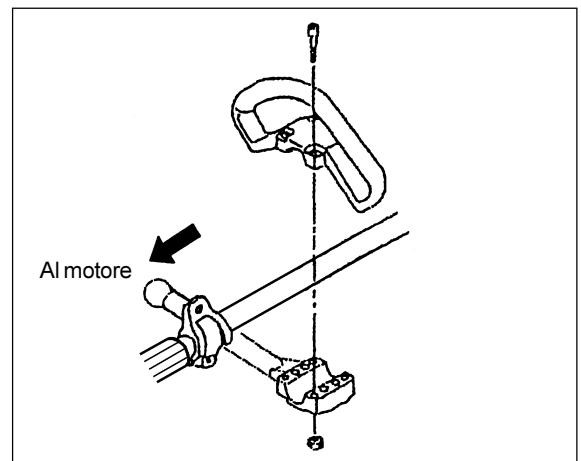
Se si hanno difficoltà nell'inserire l'albero, girare manualmente l'albero conduttore e riprovare.

- Controllare che l'albero sia bene inserito e quindi stringere bene la vite M5x10 ed il bullone M5x25.



## APPLICAZIONE DELLA MANIGLIA

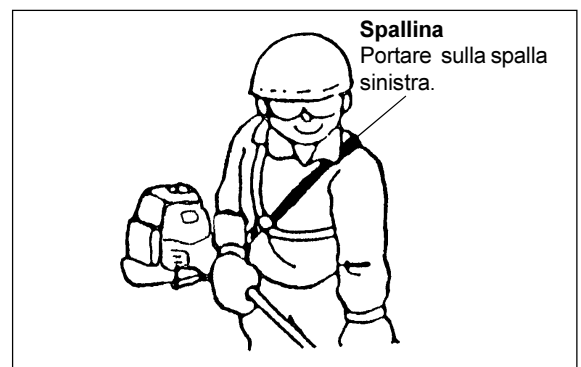
- Applicare la protezione insieme alla maniglia in modo che la protezione sporga da sinistra rispetto alla posizione di uso.
- Controllare di non mettere l'impugnatura troppo vicina alla manopola dell'acceleratore. Usare a questo scopo il distanziale in dotazione.



## USO DELLA SPALLINA

### Come si porta la spallina

- Portare la spallina sulla spalla sinistra.
- Tenere il taglia siepi prolungato a scoppio sul lato destro del corpo.
- Applicare la spallina all'attacco sul taglia siepi prolungato e regolarne la lunghezza in modo da poter lavorare con comodità.

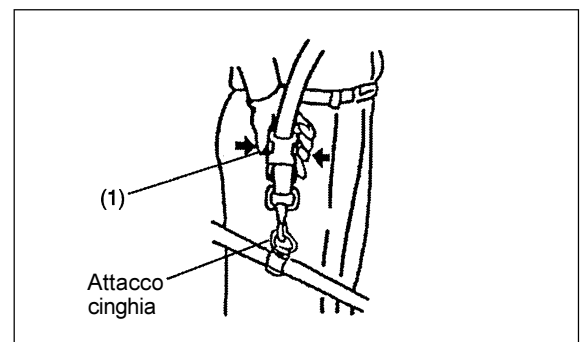


### Sgancio della cinghia

- In caso di emergenza, spinga le tacche (1) su entrambi i lati, e potete staccare la macchina dal corpo.

Nel frattempo, però, mantenere il controllo dell'utensile. Non piegare la macchina verso se stessi, né verso altre persone nelle vicinanze.

ATTENZIONE: perdendo il controllo della macchina si possono provocare ferite gravi e addirittura la MORTE.



# CARBURANTE/RIFORMENTO CARBURANTE



## Miscela olio/carburante

- Il motore del tagliaerba a scoppio è un motore a due tempi molto efficiente che consuma una miscela di benzina e olio a due tempi. Il motore è stato progettato per l'uso di carburante normale non piombato con minimo 91 ottani. Se tale tipo di carburante non fosse disponibile, usarne uno con il numero massimo di ottani disponibile. Ciò non causa danni al motore, ma questo rende di meno. La stessa cosa succede se si usa carburante piombato. Per ottenere il massimo dal motore e per ridurre al massimo l'inquinamento causato, usare sempre carburante non etilizzato.
- Al carburante va aggiunto olio a due tempi di qualità TSC-3 per lubrificare il motore. Esso è stato progettato per l'uso di olio a due tempi MAKITA poco inquinante che viene miscelato in proporzioni da 50:1. Questo olio speciale assicura una lunga durata del motore, alte prestazioni ed emissioni gassose minime. È assolutamente necessario osservare le percentuali date di 50:1 (benzina/olio MAKITA a due tempi), dato che altrimenti non può venire garantita l'integrità del tagliaerba a scoppio.
- Miscela benzina/olio corretta:  
Miscelare 50 parti di benzina ed una di olio a due tempi Makita. Consultare anche la tabella qui a destra.

**NOTE:** Quando si prepara la miscela di benzina ed olio, mescolare prima di tutto metà della benzina con la quantità richiesta di olio. Aggiungere quindi la benzina rimanente e miscelare bene il tutto prima di metterlo nel serbatoio. Non mettere più olio del necessario. Se c'è troppo olio, questo causa residui eccessivi nello scarico, inquinando l'ambiente ed intasando la marmitta e il canale del cilindro di scarico. Inoltre, il consumo complessivo di carburante aumenta e il motore rende meno.

## Come maneggiare i derivati del petrolio

Maneggiare sempre il carburante con la massima cautela. Dato che esso contiene sostanze volatili e quindi il rifornimento del carburante deve venire fatto all'esterno ed in luoghi ben ventilati. Non aspirare fumi di benzina ed evitare il contatto della benzina con la pelle. Se in contatto prolungato con benzina, la pelle umana tende a disseccarsi.

Essa può anche causare malattie della pelle e reazioni allergiche.

Se entrano in contatto con gli occhi, l'olio e la benzina possono causare forte irritazione. Se dovessero entrare negli occhi, lavarli immediatamente con abbondante acqua fresca. Se l'irritazione persiste, non esitare a consultare un medico.

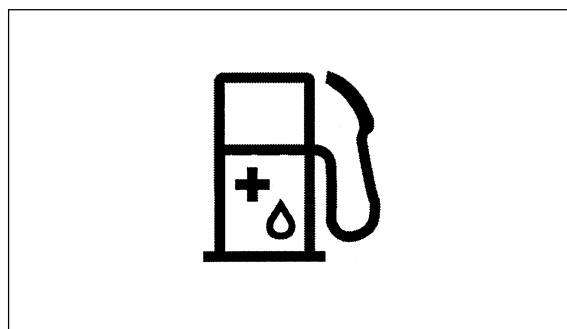
## Rifornimento

### Spegnere il motore!

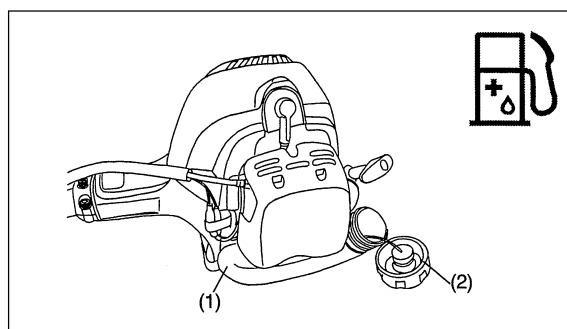
- Pulire con cura tutta la zona intorno al tappo (2) onde evitare che la sporcizia entri nel serbatoio (1).
- Togliere il tappo (2) e riempire il serbatoio.
- Riavvitare il tappo (2).
- Pulire il tappo (2) e il serbatoio a rifornimento eseguito!

### Stoccaggio del carburante

- Il carburante deteriora col tempo.
- Acquistare solo il carburante necessario per quattro settimane di lavoro.
- Usare solo contenitori approvati per la conservazione di benzina.



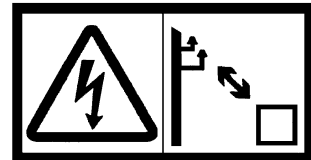
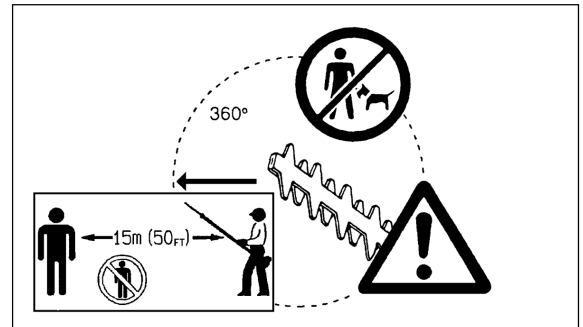
Benzina	+	Olio
1000mL (1L) 5000mL (5L) 10000mL (10L)		20mL 100mL 200mL



## PRECAUZIONI PRIMA DELL'AVVIAMENTO DEL MOTORE



- Controllare che non vi siano persone in un raggio di 15 m dalla zona di lavoro. Controllare che tutte le persone, ed in particolare i bambini, e gli animali domestici siano sempre all'esterno di quest'area.
- Prima di fare uso del tagliaerba prolungato a scoppio, controllare che sia in piena efficienza. Controllare che le sue lame non siano danneggiate e che la leva dell'acceleratore si muova con facilità. Controllare che con il motore in folle le lame non si muovano. Se la macchina non funziona normalmente, consultare il proprio negoziante di fiducia e farla riparare. Controllare che le manopole siano pulite ed asciutte e che l'interruttore di accensione funzioni bene. Avviare il motore solo nel modo descritto in questo manuale. Non usare altri metodi di avvio del tagliaerba prolungato a scoppio. Consultare in proposito "Avviamento del motore".
- Avviare il motore del tagliaerba prolungato a scoppio solo dopo aver letto e compreso bene le sue istruzioni. Non tentare mai di avviarlo se non è del tutto montato. Ne potrebbero derivare ferite serie.
- Prima di avviare il motore, controllare che le lame non siano bloccate da pietre, rami ed altri oggetti.
- Controllare che nell'area di lavoro non vi siano cavi, fili, vetri, pietre o altri oggetti che possano venire presi nelle lame.
- Folgorazione: controllare se vi sono linee della luce in prossimità della zona di lavoro. Controllare l'intera area di lavoro prima di iniziare a lavorare.



## AVVIAMENTO DEL MOTORE



Se si è appena rifornita di carburante la macchina, allontanarsi di almeno tre metri dal luogo di rifornimento. Posarla quindi in un luogo sufficientemente in piano e sgombro e controllare che le sue lame non siano in contatto con il terreno o altri oggetti solidi.

**Partenza a freddo** (motore freddo / il motore è rimasto fermo per più di cinque minuti / dopo il rifornimento)

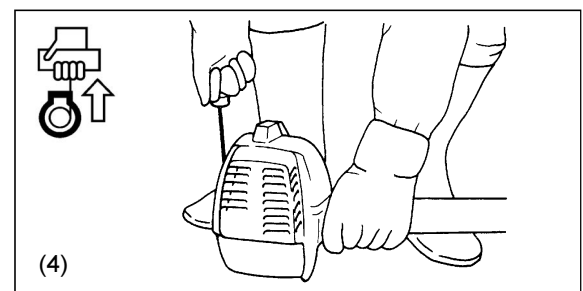
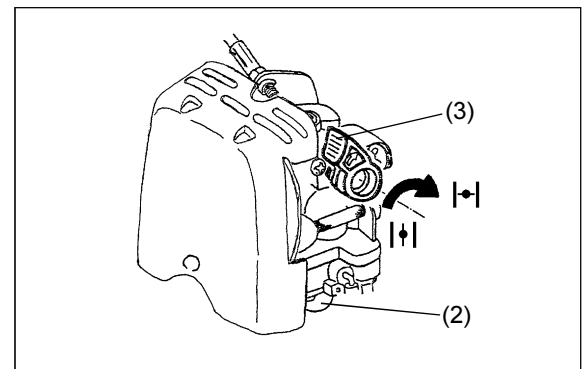
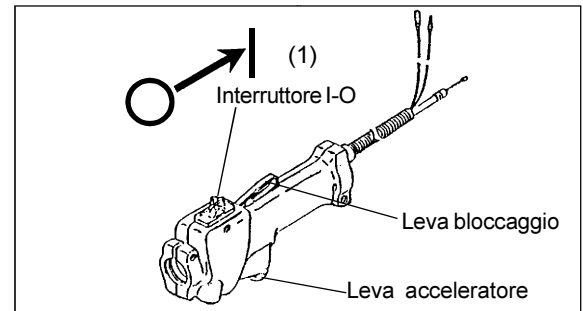
1. Portare l'interruttore di accensione sulla posizione "I" (1).
2. Premere la pompa del carburante (2) più volte da sette a dieci volte sino a che il carburante non entra nel bulbo della pompa.
3. Portare la leva dell'aria (3) nella posizione "I" (verticale).
4. Con una mano, tenere il motore fermamente al suolo. (4).
5. Tirare la corda di avviamento di circa 10 - 15 cm sino a che si sente resistenza.
6. Tirare la corda con forza, più volte se necessario, sino a che il motore parte.
7. Riportare la leva dell'aria sulla posizione "I+I" dopo che il motore è partito. Tenere presente che la leva ritorna automaticamente alla sua posizione originaria una volta che viene azionata la leva dell'acceleratore. Tirare la leva dell'acceleratore insieme a quella di sblocco.
8. Fare riscaldare il motore a velocità moderata per uno o due minuti.
9. Dopo che il motore è caldo e gira regolarmente, la transizione da velocità basse ad altre alte è regolare e senza interruzioni.

**Note:** Tirando la leva di avviamento più volte con l'aria nella posizione "I" si aspira troppo carburante, ingolfando il motore.  
Se il motore si ingolfa, togliere la candela e tirare lentamente la corda di accensione per eliminare la benzina in eccesso dal motore. Asciugare gli elettrodi della candela e quindi rimetterla al suo posto.

**Partenza a caldo** (riavvio immediato dopo l'arresto del motore)

Non azionare l'aria (3) se si riavvia il motore a caldo. Se il motore non parte, eseguire le fasi da 1 a 8 descritte qui sopra per la partenza a freddo.

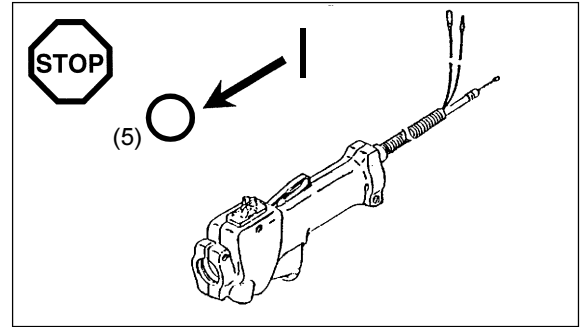
**Note:** non lasciare andare la manopola dell'aria subito dopo aver tirato la corda di avviamento, ma guidarla indietro alla sua posizione originale.



## ARRESTO DEL MOTORE



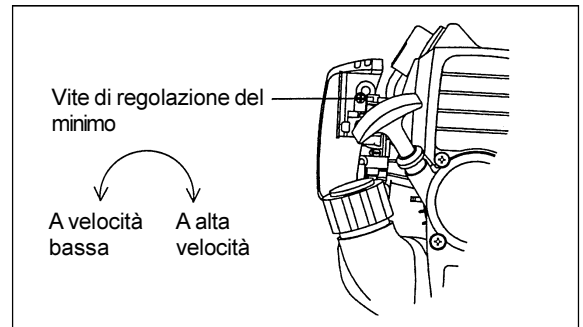
1. Lasciare andare la leva dell'acceleratore.
2. Premere l'interruttore di accensione portandolo sulla posizione "O" così da far fermare il motore.



## CONTROLLO E REGOLAZIONE DEL MINIMO

Le lame del tagliaerba prolungato a scoppio non devono muoversi quando la leva dell'acceleratore viene lasciata andare.

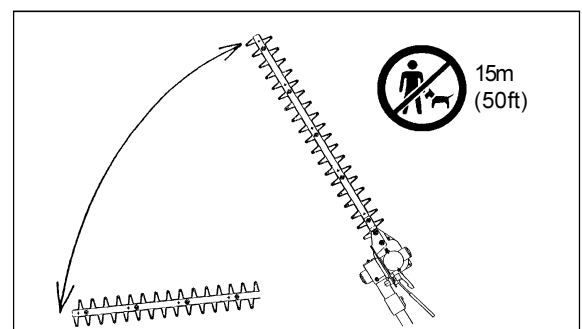
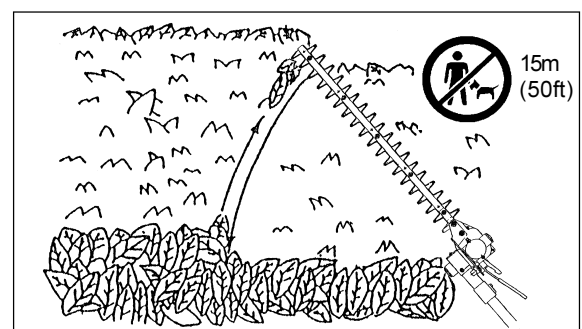
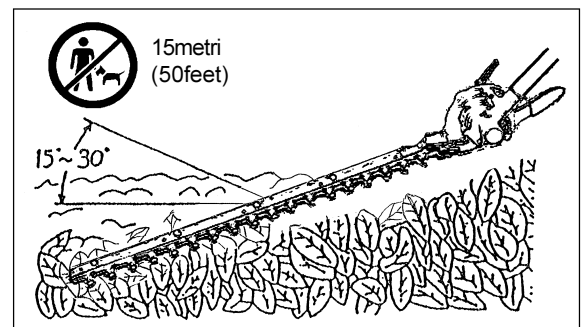
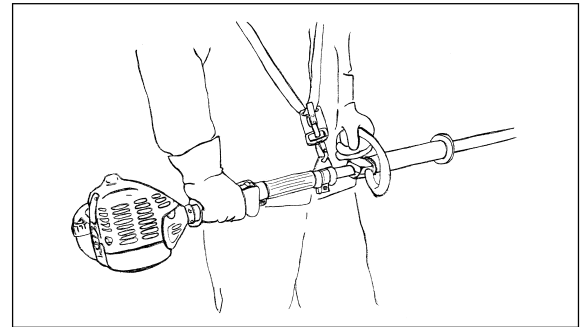
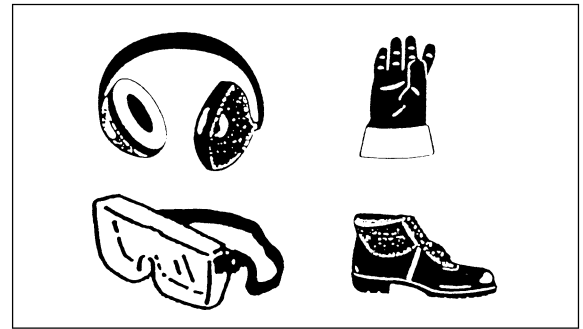
- Il regime minimo corretto è di  $3000 \text{ min}^{-1}$ . Se necessario, regolarlo usando la vite di regolazione del minimo, riducendo i giri sino a che le lame non si muovono più.
    - Girando la vite in senso orario: il regime minimo aumenta.
    - Girando la vite in senso antiorario: il regime minimo diminuisce.
- Lasciare una differenza adeguata fra il regime minimo e la velocità alla quale la frizione si innesta. Ridurre ulteriormente il numero di giri se lo si ritiene necessario. Se nonostante tutte le regolazioni del minimo le lame dovessero continuare a muoversi, consultare il centro assistenza autorizzato più vicino.
- La frizione deve innestarsi come minimo a  $4000 \text{ min}^{-1}$ .
  - Controllare che l'interruttore STOP, la leva di sblocco e la leva dell'acceleratore funzionino bene.



## USO DEL TAGLIASIEPI PROLUNGATO



- Quando si lavora con il tagliasiepi prolungato a scoppio, tenere ambedue le impugnature con ambedue le mani.
- Non toccare le lame del tagliasiepi prolungato a scoppio durante il lavoro o a motore in moto.
- Fare molta attenzione a non inalare i gas di scarico durante il lavoro con il tagliasiepi prolungato a scoppio. Non usarlo mai al coperto o in aree poco ventilate per evitare il rischio di soffocamento o avvelenamento. Tenere presente che il monossido di carbonio dei gas di scarico è inodore ed incolore, ma velenosissimo.
- Prima di iniziare il lavoro con il tagliasiepi prolungato a scoppio, indossare abiti protettivi adeguati.
- Se la marmitta non funziona bene, fermare subito il motore.
- Usare il tagliasiepi prolungato a scoppio solo in condizioni di buona visibilità e illuminazione.
- Non usare il tagliasiepi prolungato a scoppio di notte o con la nebbia. Fare attenzione alle aree scivolose, ad esempio coperte da neve o ghiaccio, e accertarsi di aver appoggiato i piedi in un luogo sicuro.
- Non usare mai il tagliasiepi prolungato a scoppio mentre ci si trova su di una superficie instabile o molto in pendenza.
- Non usare mai il tagliasiepi prolungato a scoppio stando su di una scala a pioli.
- Non usare mai il tagliasiepi prolungato a scoppio stando su di un albero.
- Controllare continuamente l'area di lavoro per vedere che non vi siano cavi, fili, vetri ed altri oggetti che possano danneggiare le lame.
- Prima di iniziare a lavorare, controllare che le lame siano in rapido movimento.
- Tenere sempre fermo il tagliasiepi prolungato a scoppio con tutte e due le mani e mantenere sempre una solida presa sulle sue maniglie lungo tutto il corso del lavoro.
- Per assicurarsi il massimo controllo del tagliasiepi prolungato a scoppio, stringere sempre le mani del tutto attorno alle manopole serrando i pollici ed applicare una pressione ferma alle manopole.
- Tenere presente che le lame del tagliasiepi prolungato a scoppio rimangono in moto per circa due secondi dopo che la leva dell'acceleratore è stata lasciata andare.
- Non lavorare con il tagliasiepi prolungato a scoppio a basso numero di giri.
- La velocità delle lame non può venire regolata correttamente con la leva dell'acceleratore se il motore gira a basso regime.
- Per tagliare la superficie superiore di una siepe, per prima cosa allineare le lame su di un angolo da 15° - 30° nella direzione di taglio e tenere il tagliasiepi prolungato a scoppio orizzontale. Iniziare quindi a tagliare la siepe con un movimento ad altalena, come se si tracciassero degli archi nell'aria con l'albero del tagliasiepi prolungato a scoppio.
- Per tagliare i bordi di una siepe, allineare le lame con la superficie da tagliare ed iniziare a potare con movimenti semicircolari dall'alto verso il basso.
- Fare attenzione quando si pota una siepe vicino ad una staccionata. Fare attenzione particolare se essa fosse in metallo. Se le lame urtano con corpi duri, ad esempio metalli, pietre, cemento o legno duro, si possono spezzare e/o causare il guasto della macchina.
- Non usare il tagliasiepi prolungato a scoppio per lungo tempo. In generale si dovrebbe fare una pausa di 10-20 minuti ogni 50 minuti di uso.
- Se le lame dovessero urtare un oggetto duro, ad esempio pietre, fermare immediatamente il motore e controllare se hanno subito danni. Se sì, sostituirle.
- Se il tagliasiepi prolungato a scoppio mostra di avere problemi durante il lavoro, ad esempio strani rumori, vibrazioni, e così via, fermarlo subito. Non usarlo di nuovo sino ad aver identificato e risolto il problema.
- Fare sempre quanto possibile per limitare i gas di scarico e il rumore durante l'uso del tagliasiepi prolungato a scoppio. Fare attenzione in particolare alle percentuali della miscela e alla carburazione.
- Se dei rami spessi vengono presi nelle lame, fermare immediatamente il motore, posare a terra il tagliasiepi prolungato a scoppio e toglierli. Prima di riprendere il lavoro, controllare che le lame non abbiano subito danni.

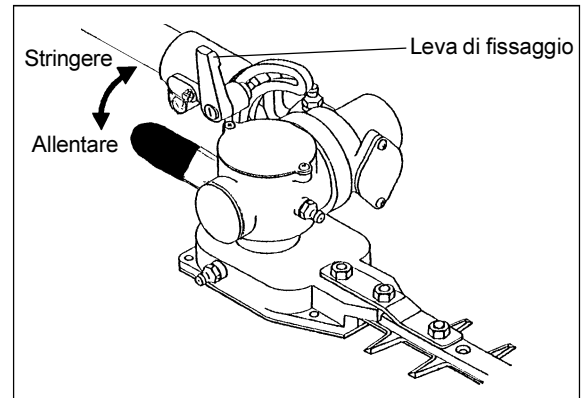


## Regolazione dell'angolo di taglio

1. Fermare il tagliaerba prolungato a scoppio e posarlo a terra.
2. Per regolare l'angolazione delle lame, allentare la leva di bloccaggio in cima alle lame girandola in senso antiorario.
3. Regolare l'angolo delle lame e girare quindi la leva di bloccaggio in direzione oraria per fissarla.
  - Le lame possono venire regolate su angoli compresi fra 45° e 90°.

### Note:

- Non regolare l'angolazione delle lame quando il tagliaerba prolungato a scoppio è verticale.
- Per regolare l'angolo di taglio, portare l'interruttore di accensione sulla posizione "O" e stendere il tagliaerba prolungato a scoppio a terra.
- Prima di procedere con la regolazione, fermare sempre le lame con la copertura in dotazione.



## MANUTENZIONE

- Prima di compiere qualsiasi operazione di assistenza sul tagliaerba prolungato, ad esempio la pulizia delle lame, ecc., fermare sempre il motore ed attendere che si raffreddi. Per maggiore sicurezza, togliere la candela.
- Non provare a raddrizzare o saldare una lama inclinata o rotta. Sostituirla sempre.
- Fermare il motore ad intervalli regolari e controllare le lame per vedere se sono danneggiate. Picchiettarle per giudicare dal suono che producono se sono presenti incrinature sottilissime. Controllare sempre che i denti siano bene affilati.
- Pulire il tagliaerba prolungato a scoppio ad intervalli regolari. Durante la pulizia controllare anche che viti, dadi e bulloni siano tutti ben serrati.
- Per ridurre il pericolo di incendi, non assistere mai e non immagazzinare mai il tagliaerba prolungato a scoppio vicino a fiamme non protette.
- Maneggiare sempre le lame indossando guanti spessi.
- Per quanto riguarda le lame di rimpiazzo, entrare in contatto con il proprio negoziante di fiducia.



### Affilatura lama

Se le lame non sono più affilate ed il taglio è scadente, farle affilare da un agente del servizio di assistenza autorizzato.

## Regolazioni delle lame

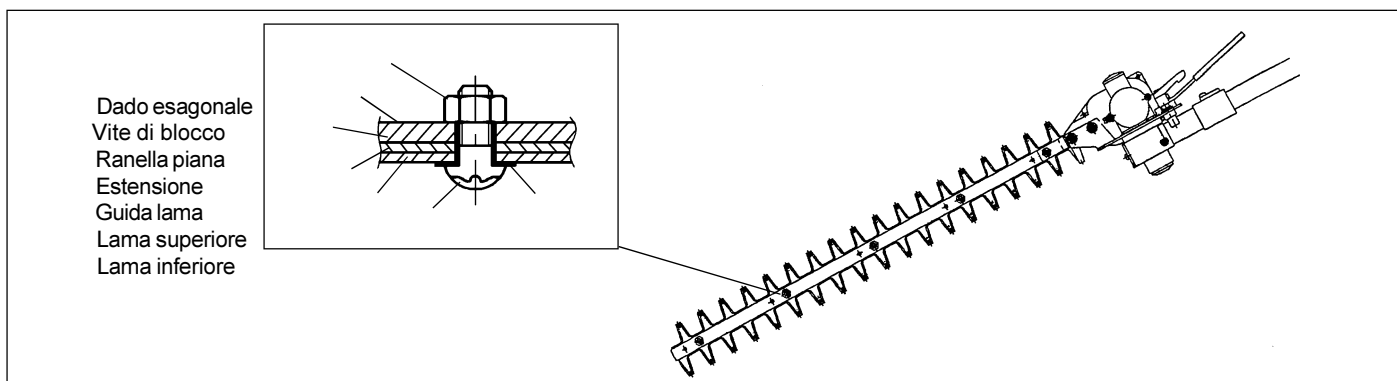


Con l'uso le lame del tagliaiepi prolungato a scoppio si consumano. Regolarle ogni volta che si nota un calo delle loro prestazioni. Ciò va fatto nel modo seguente.

1. Allentare il dado
2. Stringere leggermente la vite sino a che non si sente una resistenza. Girare quindi la vite nella direzione opposta per un quarto o mezzo giro.
3. Tenere in posizione la vite con un cacciavite e stringere il dado
4. Dopo la regolazione, lubrificare le lame con una leggera pellicola di olio.
5. Avviare il motore e tirare più volte la leva dell'acceleratore per mettere in movimento le lame. Continuare per circa un minuto.
6. Far fermare il motore ed attendere che le lame si fermino del tutto. Toccare con prudenza le lame con una mano nuda. La regolazione è corretta se le lame sono calde, ma non scottano. Se le lame sono troppo calde, allentare la vite di un quarto di giro e ripetere le fasi 5 e 6 sino ad ottenere una regolazione corretta.

**NOTE:** Prima di regolare le lame, spegnere il motore e togliere la candela dalla testa cilindri.

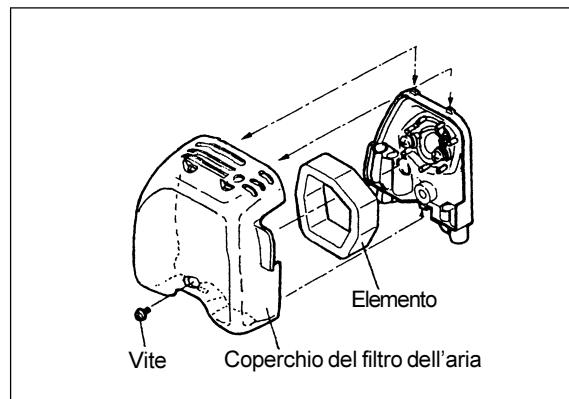
Le lame sono scanalate attorno alle viti di blocco. Tenere queste scanalature ben pulite così che posano venire controllate per trovare eventuali danni.



## Pulizia del filtro dell'aria – Ogni otto ore (tutti i giorni)

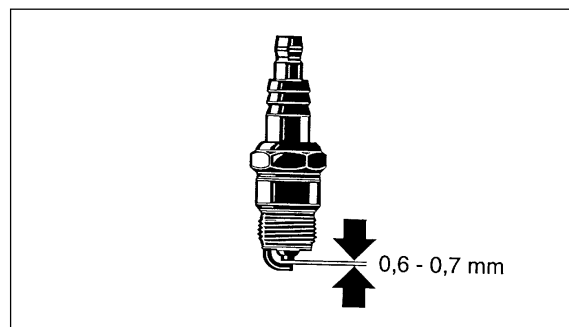
- Togliere il coperchio del filtro dell'aria.
- Togliere l'elemento a spugna. Lavarlo bene in acqua tiepida e lasciarlo asciugare completamente.
- Rimettere a posto l'elemento a spugna lavato ed asciugato e quindi rimettere al suo posto il coperchio del filtro dell'aria.

**Note:** Pulire quotidianamente il filtro dell'aria. Se fosse intasato, renderebbe più difficile o impossibile l'avvio o l'accelerazione del motore.



## Controllo della candela – Ogni otto ore (tutti i giorni)

- Per togliere o rimontare la candela, usare solo la chiave universale in dotazione.
- L'intervallo degli elettrodi della candela deve essere di 0.6 - 0.7 mm. regolarlo se fosse eccessivo o insufficiente. Pulire e sostituire la candela se fosse sporca e/o coperta di residui carboniosi. Sostituirla sempre con una candela dalle stesse caratteristiche.

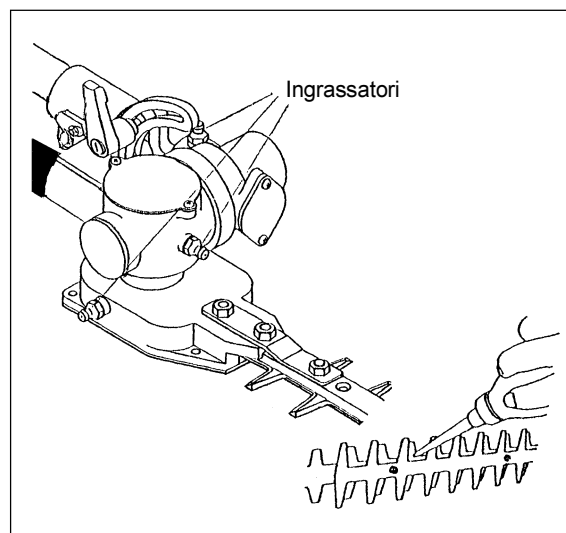




### Oliatura e lubrificazione

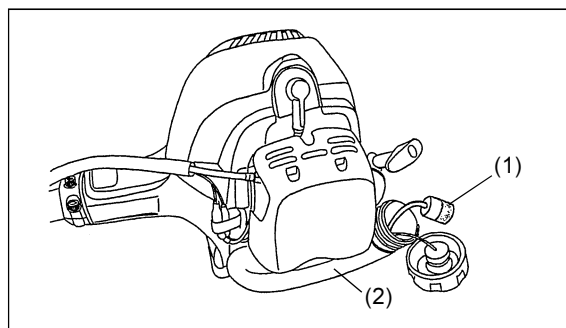
- La scatola del cambio del tagliaerba prolungato a scoppio deve venire ingrassata ogni 20 ore di lavoro. Aggiungere circa 10 cc di lubrificante (Shell Alvania No. 3 o un equivalente) alla scatola del cambio attraverso le luci di lubrificazione. Un poco di grasso emerge dalla testa del cambio che si trova alla base delle lame quando il tagliaerba prolungato a scoppio viene messo in moto per la prima volta dopo l'ingrassatura. Questo fenomeno dà una indicazione approssimativa della quantità di grasso necessaria.

**Note:** Osservare scrupolosamente gli intervalli di lubrificazione e le quantità di grasso. Le parti meccaniche del tagliaerba prolungato a scoppio possono venire danneggiate se non sufficientemente ingrassate o se ingrassate poco di frequente.



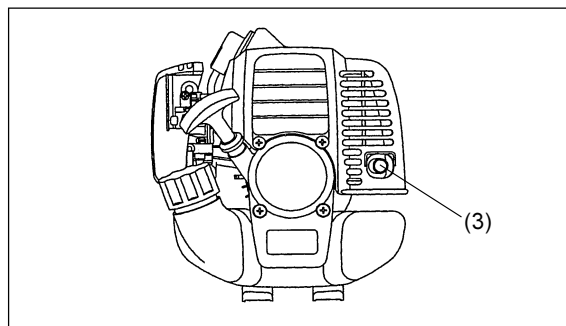
### Filtro del serbatoio del carburante

- L'interno del serbatoio del carburante contiene un filtro (1) che pulisce il carburante prima che entri nel carburatore.  
 - Controllare a vista il filtro ad intervalli regolari. Per farlo, fare un gancio con uno spezzone di filo e togliere il filtro dal serbatoio (2). Sostituire il filtro se fosse indurito, intasato o troppo sporco.  
 - L'alimentazione insufficiente del motore dovuta ad un filtro del carburante troppo sporco fa scadere le prestazioni del motore. Per assicurarsi che al carburatore arrivi una quantità normale di miscela, sostituire il filtro non appena le sue condizioni siano divenute dubbie.



### Pulizia dell'uscita della marmitta

- Controllare le condizioni dell'uscita della marmitta (3) ad intervalli regolari.  
 - Togliere con un utensile adatto i residui carboniosi che si accumulano attorno all'uscita della marmitta. Fare attenzione ad evitare che essi penetrino in qualsiasi parte del motore.



### Pulizia del parascintille

- Il parascintille deve venire pulito ogni 50 ore di lavoro.  
 - Far pulire il parascintille dal proprio concessionario o negoziante di fiducia o da personale autorizzato.

Rivolgersi al proprio negoziante di fiducia o da personale autorizzato per tutti gli interventi non menzionati in questo manuale.

### Ispezione e manutenzione quotidiana

Per assicurarsi la massima durata del tagliaerba prolungato a scoppio, eseguire i seguenti controlli ed operazioni ogni giorno.

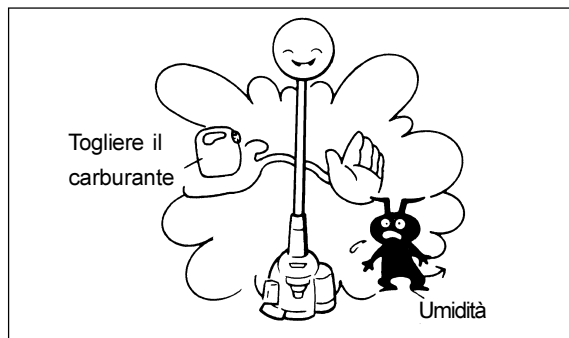
- Prima di iniziare il lavoro, controllare che nessuna parte sia allentata o mancante. Fare attenzione in particolare all'unità delle lame e controllare che le viti di fissaggio delle lame siano ben strette.
- Prima di iniziare il lavoro, controllare che i passaggi dell'aria e le alette di raffreddamento del cilindro non siano ostruiti. Pulire quando necessario.
- Dopo ogni giornata di lavoro con il tagliaerba prolungato a scoppio, fare quanto segue.
  - Pulire l'esterno del tagliaerba prolungato a scoppio e controllare se vi sono danni o parti allentate.
  - Pulire il filtro dell'aria. Farlo più volte al giorno se si lavora in ambienti molto polverosi.
  - Controllare se le lame del tagliaerba prolungato a scoppio sono danneggiate. Controllare anche che siano fissate bene.



## IMMAGAZZINAGGIO

Prima di riporre il tagliasepi prolungato a scoppio per un periodo prolungato, fare quanto segue.

- Scaricare tutto il carburante dal serbatoio e dal carburatore.
- Togliere la candela e versare qualche goccia di olio a due tempi nel foro della candela. Tirare quindi lentamente la corda di avviamento per distribuire l'olio in modo uniforme nel motore. Rimettere a posto e stringere la candela.
- Pulire l'intero tagliasepi prolungato ed applicare un velo di olio alle parti metalliche della macchina. Fissare e proteggere le lame con il coperchio in dotazione. Conservare il tagliasepi prolungato a scoppio in un luogo libero da umidità.



## PROGRAMMA DI MANUTENZIONE

Operazioni generali	Viti, dadi, bulloni del motore	Controllare le condizioni e la sicurezza generali. Controllare visualmente che viti, dadi e bulloni siano ben fissati.
Dopo il rifornimento	Leva acceleratore Leva di sblocco Interruttore STOP	Controllarne il funzionamento. Controllarne il funzionamento. Controllarne il funzionamento.
Giornalmente	Filtro aria Dotto raffreddamento aria Utensile di taglio Minimo	Pulire Pulire Cercare danni, controllare filo lame. Controllare che in folle le lame non si muovano.
Ogni 20 ore	Scatola cambio	Ingrassare
Settimanalmente	Candela Marmitta	Controllare e sostituire se necessario. Controllare e pulire uscita se necessario.
Ogni tre mesi	Filtro serbatoio Serbatoio	Pulire e sostituire come necessario. Pulire all'interno.
Prima dell'immagazzinaggio	Serbatoio carburante Carburatore	Scaricare il serbatoio. Fare andare il motore sino ad esaurire la benzina.

## DIAGNOSTICA

Problema	Sistema	Osservazioni	Causa
Il motore non parte o pare con difficoltà	Accensione	Candela assente	Problema di alimentazione o del sistema di compressione, difetto meccanico
		Candela assente	Interruttore STOP nella posizione OFF, file spezzato, candela o connettore difettosi, modulo di accensione difettoso
	Alimentazione carburante	Carburante disponibile	Impostazione aria scorretta, carburatore difettoso, filtro carburante sporco, tubazione carburante spezzata o piegata
	Compressione	Dentro al motore	Guarnizione di testa difettosa, guarnizioni albero motore difettose, pistone o fasce elastiche difettosi
		Fuori dal motore	Candela allentata
Problemi di partenza a caldo	Problemi meccanici	Avviamento che non funziona	Molla avviamento difettosa, difetto meccanico nel motore
		Carburante presente, accensione funzionante	Carburatore sporco. Pulirlo.
Il motore parte ma si ferma subito.	Alimentazione	Carburante presente	Minimo sbagliato, carburatore o filtro carburante sporco
			Sfiato serbatoio carburante intasato, tubazione olio interrotta, interruttore STOP difettoso (contatti allentati, ecc.)
Prestazioni scadenti	Più sistemi possono venire influenzati contemporaneamente.	Regime minimo	Filtro olio sporco, carburatore sporco, marmitta intasata, dotto sfiato cilindro intasato

Hartelijk voor het aanschaffen van de MAKITA Stok Heggenschaar. We zijn er trots op u dit product te kunnen aanbieden, het resultaat van een uitgebreid ontwikkelingsprogramma en onze door de jaren opgebouwde kennis en ervaring. Om veilig en optimaal te kunnen profiteren van uw MAKITA Stok Heggenschaar, dient u deze handleiding zorgvuldig door te lezen voor u de machine gaat gebruiken en dient u alle instructies erin op te volgen. Alleen op deze manier kunt u er zeker van zijn dat de MAKITA Stok Heggenschaar naar behoren zal functioneren.



<b>Inhoudsopgave</b>	<b>Bladzijde</b>
Symbolen	66
Veiligheidsinstructies	67~70
Technische gegevens	71
Lijst van onderdelen	72
Bevestigen van de heggenschaar aan de stok	73
Bevestigen van de handgreep	73
Gebruik van de schouderband	73
Brandstof/tanken	74
Voorzorgen bij het starten van de motor	75
Starten van de motor	75
Stoppen van de motor	76
Controleren en afstellen van het stationaire toerental	76
Werken met de Stok heggenschaar	77~78
Onderhoud	78~80
Opslag	81
Onderhoudsschema	81
Oplossen van problemen	81

## Symbolen

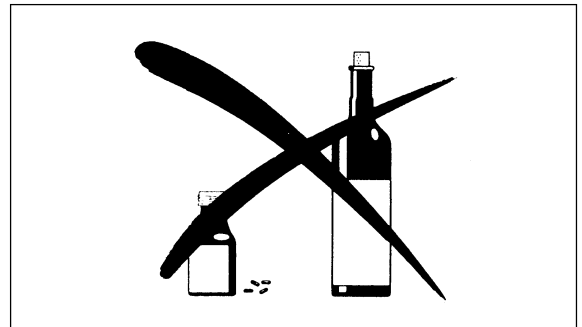
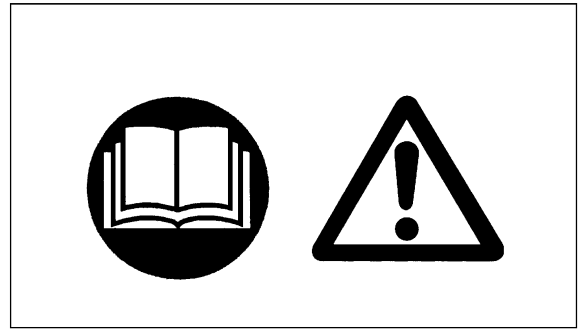
Let op de volgende symbolen wanneer u deze handleiding leest.

	WAARSCHUWING/GEVAAR		Pas op dat u niet met uw vingers in de buurt van de snijbladen komt.
	Voor gebruik dient u de instructies in deze handleiding zorgvuldig te lezen en volledig te begrijpen.		Pas op voor elektrische bedrading, gevaar voor een elektrische schok
	VERBOD		Benzine/olie mengse
	Niet roken		Met de hand starten van de motor
	Geen open vuur		Noodstop
	Draag veiligheidsschoenen		Eerste hulp
	Draag werkhandschoenen		Geschikt voor kringloopgebruik
	Houd het werkterrein vrij van andere personen en dieren.		Aan/start
		○	Uit/stop
	Draag een veiligheidshelm en oog- en gehoorsbescherming	CE	CEmerk

# VEILIGHEIDSINSTRUCTIES

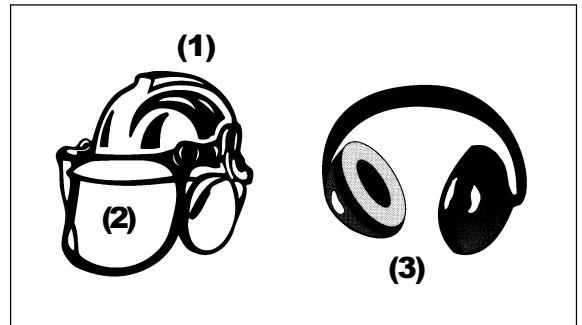
## Algemene instructies

- Voor gebruik moet u deze handleiding lezen en uzelf grondig vertrouwd maken met de juiste manier waarop de stok heggenschaar bedient moet worden. **BIJ VERKEERD GEBRUIK KAN DEZE MACHINE ERNSTIG PERSOONLIJK LETSEL TOEBRENGEN!**
- Geef altijd gedetailleerde instructies omtrent het correcte gebruik van de machine wanneer u deze aan iemand uitleent. Zorg ervoor dat u samen met de stok heggenschaar zelf ook deze handleiding overhandigt.
- Als u voor het eerst een dergelijke machine gaat gebruiken, moet u uw dealer vragen om basisinstructies omtrent het correcte gebruik van de stok heggenschaar.
- Bewaar deze handleiding op een plek waar u deze gemakkelijk terug kunt vinden in het geval u er nog iets in wilt opzoeken.
- Laat geen personen jonger dan 18 jaar werken met de stok heggenschaar. Personen die ouder zijn dan 16 jaar mogen echter onder toezicht van een volwassene die weet hoe de stok heggenschaar bediend moet worden oefenen met de machine.
- Wees altijd uiterst voorzichtig wanneer u met de stok heggenschaar werkt en blijf altijd goed opletten.
- Onder de volgende omstandigheden kan het werken met de stok heggenschaar leiden tot ernstig persoonlijk letsel. Gebruik de stok heggenschaar in geen geval:
  - Wanneer u zich moe of ziek voelt.
  - Wanneer u alcohol en/of medicijnen heeft gebruikt.
  - 's Nachts of bij slecht licht.
  - Wanneer u zwanger bent.



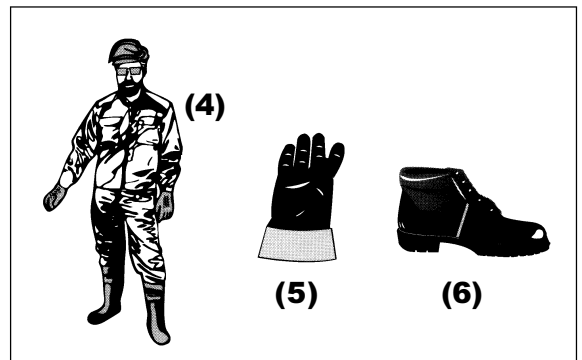
## Gebruiksdoel

- Deze stok heggenschaar is uitsluitend ontworpen voor het knippen van heggen en struiken met takken met een maximale diameter van 6 mm. Gebruik de stok heggenschaar niet voor enig ander doel.



## Persoonlijke beschermingsmiddelen

- Uw kleding moet functioneel zijn en goed passen zonder u te hinderen in uw bewegingen. Draag geen kleding of sieraden die verstrikt kan raken in het struikgewas of in de machine zelf.
- U moet de volgende beschermingsmiddelen gebruiken wanneer u met de stok heggenschaar werkt om letsel aan uw hoofd of uw ogen, uw voeten of handen alsmede schade aan uw gehoor te voorkomen.
- Om letsel aan hoofd of ogen te voorkomen, moet u een veiligheidshelm (1) en een vizier of veiligheidsbril (2) dragen.
- Om schade aan het gehoor te voorkomen moet u te allen tijde oorbeschermers (3) dragen.
- Wij raden u sterk aan een goed passende overall (4) te dragen.
- Draag altijd stevige, lederen werkhandschoenen (5) wanneer u met de stok heggenschaar werkt.
- U moet stevige schoenen met een anti-slip zool dragen wanneer u met de stok heggenschaar werkt. Speciale werk- of veiligheidsschoenen zorgen ervoor dat u stevig kunt blijven staan en beschermen tegen eventueel letsel.



## Starten van de stok heggenschaar

- Houd te allen tijde een veiligheidszone aan van 15 meter rond uw werkkerrein. U dient ervoor te zorgen dat alle personen (in het bijzonder kinderen) en/of dieren buiten deze zone blijven. In het algemeen dient u het gebruik van de stok heggenschaar te staken wanneer er zich mensen (in het bijzonder kinderen) in de buurt bevinden.
- Voor u de stok heggenschaar gaat starten moet u controleren of de machine zich in een dusdanige toestand bevindt dat er veilig mee gewerkt kan worden.
- Controleer of het veiligheidsmechanisme van de gashendel goed werkt. De vergrendeling moet soepel en gemakkelijk te bedienen zijn. Controleer of de vergrendeling goed werkt. Kijk of de handgrepen schoon en droog zijn en test de STOP schakelaar om te controleren of deze goed werkt.

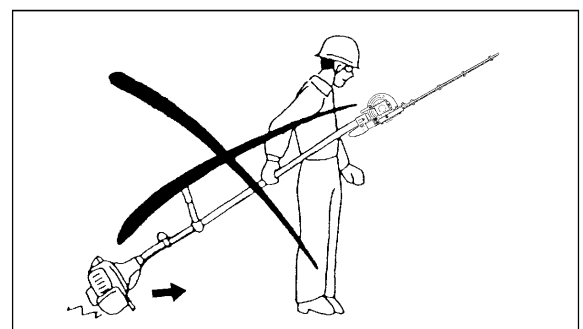
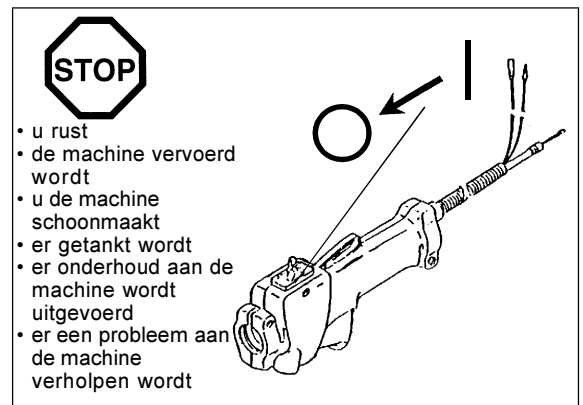
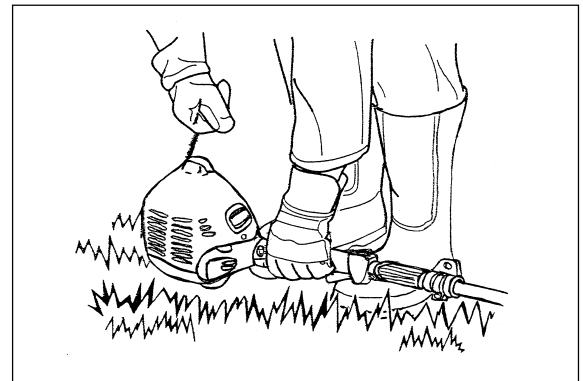
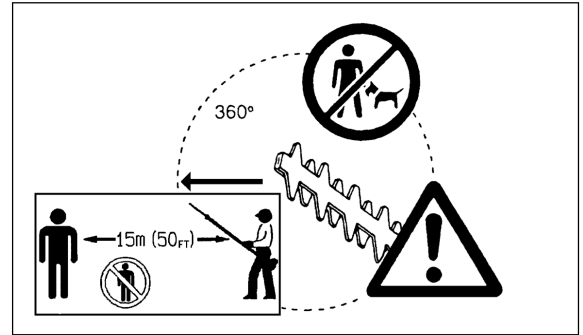
Start de stok heggenschaar altijd in overeenstemming met de instructies zoals beschreven in deze handleiding.

## Volg de onderstaande instructies voor het starten van de stok heggenschaar

- Start de stok heggenschaar alleen wanneer de machine volledig is gemonteerd en alle benodigde toebehoren is bevestigd.
- Voor u de motor start moet u controleren of de snijbladen niet geblokkeerd worden door vreemde voorwerpen, zoals steentjes, takjes enz.
- Stop de motor onmiddellijk als de motor problemen vertoont.
- Bij het werken met de stok heggenschaar moet u altijd beide handgrepen stevig vast blijven houden. Krom uw vingers krachtig rond beide handgrepen en houd de handgreep tussen uw duim en uw wijsvinger. Om de stok heggenschaar te allen tijde onder controle te kunnen houden mag u niet tijdens het werk van greep wisselen. Controleer of de handgrepen in goede staat verkeren en er geen vocht, modder, olie of vet aan zit.

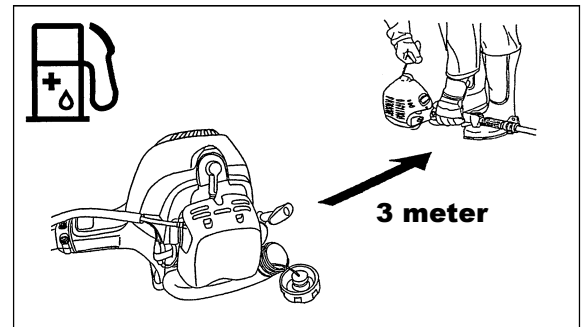
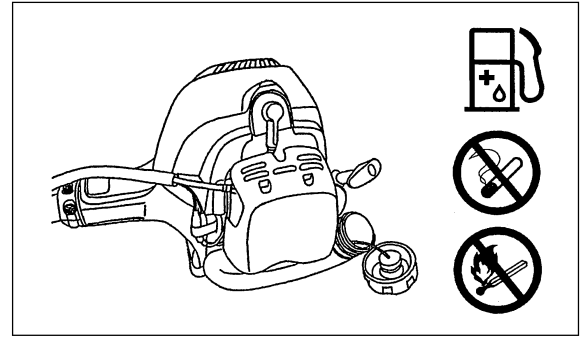
## Zorg er te allen tijde voor dat u stevig op de grond staat en in evenwicht blijft

- Gebruik de stok heggenschaar alleen buitenshuis.
- Stop de motor onmiddellijk en staak het werken met de stok heggenschaar als de motor problemen vertoont of wanneer de motor abnormale geluiden voortbrengt.
- Uitlaatgas is giftig. U mag daarom in geen geval de machine gebruiken in een afgesloten ruimte of ongeventileerde tunnel (vergiftigings- en verstikkingsgevaar). Vergeet niet dat koolmonoxide een geurloos gas is. Zorg er altijd voor dat het werkterrein waar de motor gebruikt gaat worden goed geventileerd is.
- Stop de motor wanneer u een rustpauze inlast of wanneer u de stok heggenschaar onbeheerd achter laat. Laat de machine alleen achter op een veilige plek en zorg ervoor dat er zich geen brandbare materialen in de buurt van de machine bevinden.
- Leg een heet geworden stok heggenschaar in geen geval op droog gras of ander brandbaar materiaal.
- Om brandgevaar te voorkomen dient u de motor en de uitlaat vrij van vuil, blaadjes of smeerolie te houden.
- Laat de motor in geen geval lopen als de uitlaat niet goed werkt.
- Zet de motor uit voor u de machine gaat vervoeren.
- Stop de motor te allen tijde wanneer zich een van de volgende omstandigheden voordoet. Wanneer:
  - u rust
  - de machine vervoerd wordt
  - u de machine schoonmaakt
  - er getankt wordt
  - er onderhoud aan de machine wordt uitgevoerd
  - er een probleem aan de machine verholpen wordt
- Wanneer u de machine in een voertuig gaat vervoeren, dient u de stok heggenschaar goed vast te zetten om te voorkomen dat er eventueel resterende brandstof uit lekt.
- Maak de brandstoftank altijd helemaal leeg voor u de stok heggenschaar in een voertuig gaat vervoeren.
- Wanneer u de stok heggenschaar uit het voertuig haalt, moet u extra voorzichtig zijn dat u deze niet op de grond laat vallen, daar dit de brandstoftank ernstige schade kan toebrengen.
- Behalve in noodgevallen mag u de stok heggenschaar niet laten vallen, daar dit de machine ernstige schade kan toebrengen.
- Wanneer u de stok heggenschaar vervoert, dient u de machine altijd volledig van de grond te tillen. Sleep in geen geval de motor over de grond, daar dit de brandstoftank schade kan toebrengen, hetgeen kan leiden tot brand.
- Gebruik altijd de meegeleverde schede om de snijbladen van de stok heggenschaar tijdens transport en opslag te beschermen en vast te zetten.



## Tanken

- Stop de motor voor u gaat tanken.
- Tank nooit in de buurt van open vuur.
- Rook niet en zeker niet als u gaat tanken.
- Laat de motor eerst afkoelen voor u gaat tanken.
- Vermijd contact met petroleumproducten. Inhaleer de benzinedampen niet en draag altijd beschermende handschoenen bij het tanken. U dient de beschermende kleding regelmatig te wisselen en te reinigen.
- Wees extra voorzichtig dat u geen benzine en olie morst om grondvervuiling te voorkomen (milieubescherming). Als er benzine of olie gemorst is op de stok heggenschaar zelf, moet u dit direct wegvegen met een doek. Om te voorkomen dat deze doeken in brand vliegen, moet u deze goed laten drogen voor u ze weg gooit in daarvoor geschikte, afgesloten vuilnisbak.
- Zorg ervoor dat de brandstof niet in contact kan komen met uw kleding. Verkleed u onmiddellijk als er toch brandstof op uw kleding gekomen is (brandgevaar).
- Doe de brandstoftank dicht en doe de dop goed vast. Voor u de motor weer opstart, moet u de stok heggenschaar eerst tenminste 3 meter van de plek waar u getankt heeft verwijderen.
- Controleer regelmatig of de dop nog stevig vast zit.
- U mag in geen geval de machine tanken in een afgesloten ruimte. Brandstofdampen zijn zwaarder dan lucht en verzamelen zich aan de grond (ontploffingsgevaar).
- Bewaar brandstof uitsluitend in daarvoor geschikte jerrycans en houd opgeslagen brandstof buiten bereik van kinderen.
- Om schade aan de brandstofleidingen en andere motoronderdelen te voorkomen, mag u geen benzine gebruiken die ethanol of methanol (soorten alcohol) bevatten wanneer u de benzine mengt met de tweetakt-olie.



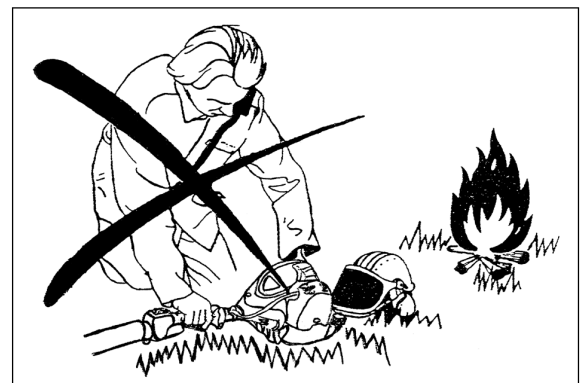
## Bediening

- Tijdens het werk moet u de stok heggenschaar te allen tijde met beide handen vasthouden.
- Gebruik de stok heggenschaar alleen bij goed licht en zicht. Wees zeer voorzichtig op gladde of natte oppervlakken (ijs en sneeuw) in de winter (gevaar voor uitglijden) en zorg er te allen tijde voor dat u stevig op de grond kunt blijven staan.
- Gebruik de stok heggenschaar in geen geval wanneer u op een onstabiele ondergrond of een steile helling staat.
- Gebruik de stok heggenschaar in geen geval wanneer u op een ladder staat.
- Gebruik de stok heggenschaar in geen geval wanneer u zich in een boom bevindt.
- Om te voorkomen dat u struikelt over onvoorziene obstakels, mag u in geen geval achteruit lopen terwijl u met de stok heggenschaar werkt.
- Stop de machine altijd voor u deze gaat schoon maken of er onderhoud aan gaat uitvoeren. U mag ook in geen geval onderdelen vervangen voordat de motor gestopt is.
- Gebruik de stok heggenschaar niet als de snijbladen beschadigd of versleten zijn.



## Onderhoudsinstructies

- Doe uw uiterste best om vervuiling en geluidsoverlast tot een minimum te beperken wanneer u met stok heggenschaar werkt. Let er in het bijzonder op dat de carburateur goed afgesteld staat.
- Maak de stok heggenschaar regelmatig schoon en controleer regelmatig of alle moeren en bouten nog stevig vast zitten.
- Sla de stok heggenschaar niet op en voer geen onderhoud aan de machine uit in de buurt van open vuur of vonken enz.
- Maak de brandstoftank leeg voor u de machine opslaat en bewaar de de stok heggenschaar in een goed geventileerde, afgesloten ruimte. Zorg er te allen tijde voor dat de stok heggenschaar buiten bereik van kinderen bewaard wordt.
- Voorkom verdere beschadiging en/of persoonlijk letsel en probeer een niet naar behoren functionerende stok heggenschaar niet zelf te repareren als u daartoe niet bevoegd bent. Raadpleeg voor reparaties altijd uw dealer of een erkende onderhoudsmonteur.



Probeer in geen geval de stok heggenschaar te wijzigen of modificeren, daar dit een nadelige invloed kan hebben op de veiligheid tijdens het werken met de machine.

Het onderhoud dat kan worden uitgevoerd door de gebruiker is beperkt tot de activiteiten die in deze handleiding vermeld staan. Alle andere procedures dienen te worden uitgevoerd door een erkende onderhoudsmonteur. Gebruik alleen originele reserve-onderdelen en toebehoren van MAKITA, verkrijgbaar via erkende onderhoudscentra.

Gebruik van niet goedgekeurde toebehoren en hulpstukken kan het gevaar voor ongevallen en letsel verhogen. MAKITA aanvaardt geen enkele aansprakelijkheid voor ongevallen of schade als resultaat van het gebruik van niet goedgekeurde toebehoren en onderdelen.

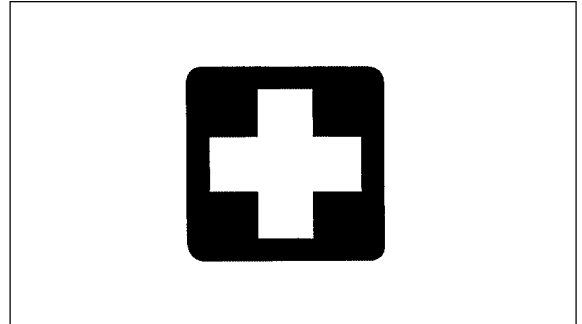
### Eerste hulp

Voor het geval dat zich onverhoopt een ongeval voordoet, moet u ervoor zorgen dat er een volledig uitgeruste eerste hulp doos voorhanden is.

Vervang eventueel uit de doos gebruikte artikelen zo snel mogelijk.

### Wanneer u in een noodgeval hulp inroept, geef dan de volgende informatie:

- Plaats van het ongeval
- Wat er gebeurd is
- Aantal gewonden
- Ernst van de verwondingen
- Uw naam



### Verpakking

De Stok Heggenschaar wordt geleverd in een beschermende kartonnen doos om transportschade te voorkomen. Karton is een grondstof die kan worden hergebruikt (papier kringloop).



## EU-CONFORMITEITSVERKLARING

### Model; PTR2500

Wij verklaren onder ons exclusieve aansprakelijkheid dat dit product voldoet aan de volgende normen van de standaard documenten, ISO11806, EN774, ISO11680, EN55012 in overeenstemming met EU richtlijnen, 89/392/EEC, zoals gewijzigd bij 98/37/EEC, 93/68/EEC, 89/336/EEC, zoals gewijzigd bij 92/31/EEC.

Gemeten geluidsdruk niveau: 106 dB

Gegarandeerd geluidsdruk niveau: 108 dB

Deze geluidsdruk waarden waren gemeten in overeenstemming met EU richtlijnen 2000/14/EC.

Conformiteits beoordelingsmethode: Annex V.

CE2007

Tomoyasu Kato  
Director

De verantwoordelijke fabrikant:

**Makita Corporation.**

3-11-8, Sumiyoshi-cho, Anjo, Aichi, JAPAN

Gevolmachtigd Vertegenwoordiger in Europa:

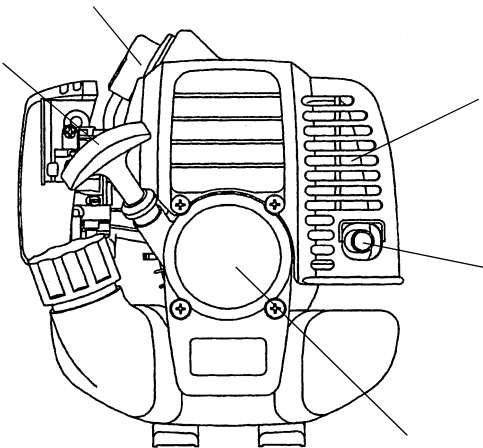
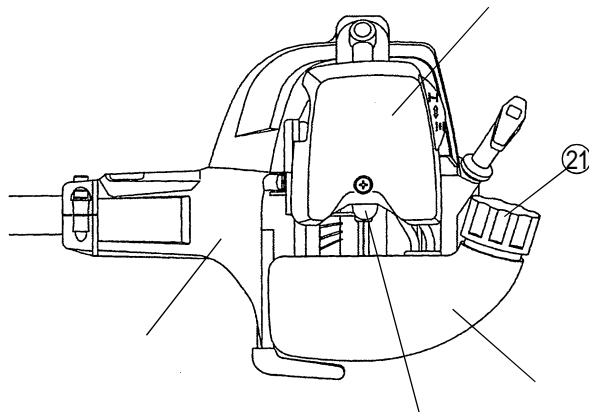
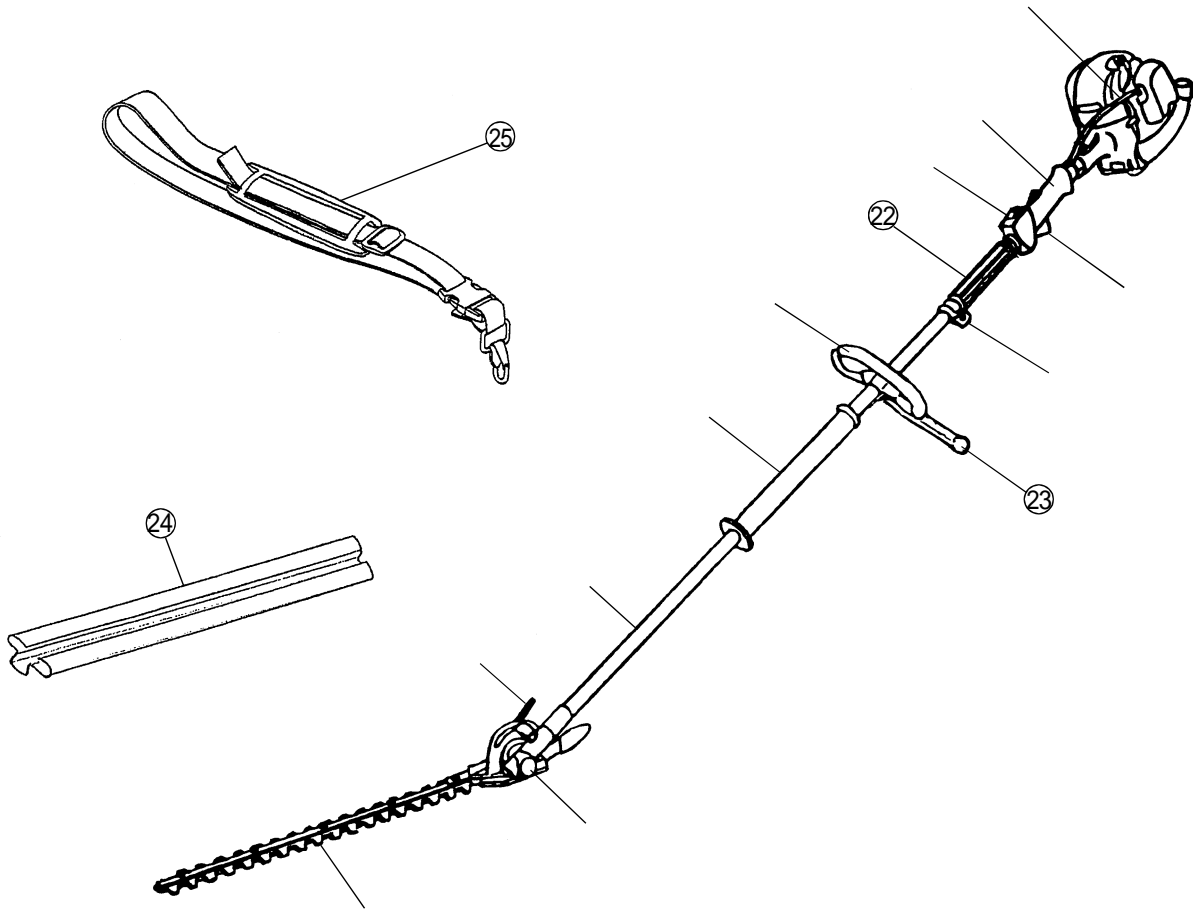
**Makita International Europe Ltd.**

Michigan Drive, Tongwell, Milton Keynes, Bucks MK15 8JD, ENGELAND

## Technische gegevens : PTR2500

Model		PTR2500		
		Ring-handgreep en bedieningshandgreep		
Afmetingen (l x b x h)	mm	2400 x 350 x 220		
Gewicht	kg	6,1		
Volume (brandstoftank)	L	0,65		
Snijlengte	mm	535		
Cilinderinhoud	cm <sup>3</sup>	24,5		
Maximaal motorvermogen		0,75 kW bij 7000 min <sup>-1</sup>		
Toerental	min <sup>-1</sup>	10,000		
Bij aanbevolen max. as-snelheid Brandstofverbruik	kg/u	0,54		
Specifiek brandstofverbruik	g/kWh	735		
Stationair toerental	min <sup>-1</sup>	3000		
Aangrijpingstoerental koppeling	min <sup>-1</sup>	4100		
Carburateur type (Membraan-carburateur)	type	WALBRO WYJ		
Ontstekingsysteem	type	Elektronische ontsteking		
Bougie	type	NGK BMR7A		
Elektrodenafstand	mm	0,6-0,7		
Trillingen volgens ISO7916	Rechter handgreep (achter)	Stationair	m/s <sup>2</sup>	3.63
		Volgas	m/s <sup>2</sup>	8.01
	Linker handgreep (hendel)	Stationair	m/s <sup>2</sup>	7.24
		Volgas	m/s <sup>2</sup>	12.00
	Linker handgreep (voor)	Stationair	m/s <sup>2</sup>	4.74
		Volgas	m/s <sup>2</sup>	8.44
Trillingen volgens ISO11680	Rechter handgreep (achter)	Stationair	m/s <sup>2</sup>	4.41
		Volgas	m/s <sup>2</sup>	7.81
	Linker handgreep (hendel)	Stationair	m/s <sup>2</sup>	11.76
		Volgas	m/s <sup>2</sup>	13.65
	Linker handgreep (voor)	Stationair	m/s <sup>2</sup>	4.36
		Volgas	m/s <sup>2</sup>	8.23
Gemiddelde geluidsdruk		ISO7917	dB (A)	90.0
Gemiddelde geluidssterkte		ISO10884	dB (A)	102.8
Mengverhouding (Brandstof : MAKITA 2-takt olie)				50:1
Overbrengingsverhouding				1/4

## Lijst van onderdelen



Lijst van onderdelen	
1	Brandstoftank
2	Trekstarter
3	Luchtfilter
4	I-O schakelaar (Aan/Uit)
5	Bougie
6	Uitlaat
7	Koppelinghuis
8	Achtergreep
9	Ophangoog
10	Handgreep
11	Gashendel
12	Gaskabel
13	As
14	Snijbladen
15	Voorgreep
16	Startergreep
17	Opvoerpomp
18	Overbrenging
19	Uitlaatpijp
20	Klemhendel
21	Brandstoftankdop
22	Afstandskraag
23	Stootplaat
24	Schede
25	Schouderriem

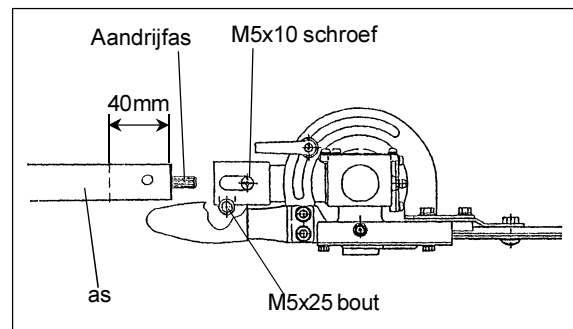


## BEVESTIGEN VAN DE HEGGENSCHAAR AAN DE STOK

### Belangrijk:

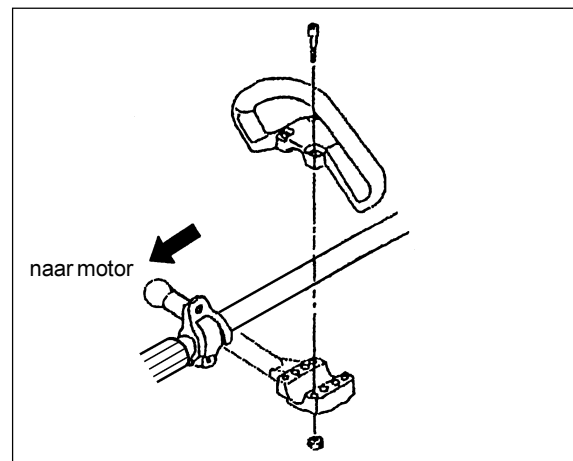
- De motor moet uit staan en u moet de bougiekop los halen voor u de stok heggenschaar in elkaar zet.  
Draag werkhandschoenen!  
Beveilig de snijbladen met de meegeleverde schede wanneer u de heggenschaar aan de stok bevestigt.
- Maak de M5x10 schroef en de M5x25 bout los.
  - Steek de as in de overbrenging.

- OPMERKING:** De as moet volledig in de behuizing van de overbrenging gestoken worden (ongeveer 40 mm / 1,57 inch). Als u problemen heeft met het insteken van de as, kunt u de aandrijfwas een stukje verdraaien en het opnieuw proberen.
- Controleer of de as op de juiste manier ingebracht is en zet vervolgens de M5x10 schroef en de M5x25 bout vast.



## BEVESTIGEN VAN DE HANDGREEP

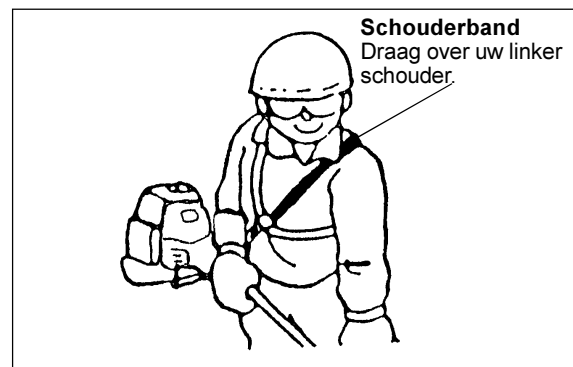
- Bevestig de stootplaat samen met de handgreep zodat de stootplaat naar links uitsteekt, gezien vanuit de positie van de gebruiker.
- U moet de handgreep niet te dicht bij de bedieningsorganen plaatsen (gebruik de voor dit doel meegeleverde afstandskraag).



## GEBRUIK VAN DE SCHOUDERBAND

### Hoe u de schouderband moet dragen

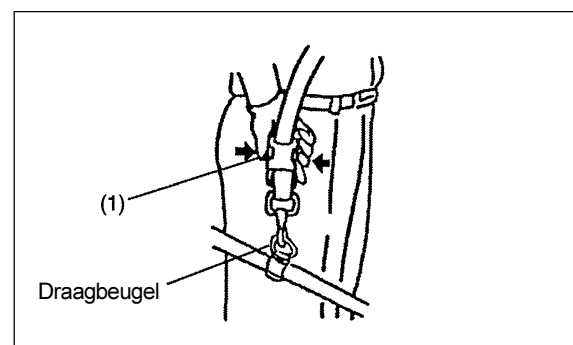
- Draag de schouderband over uw linker schouder.
- Houd de stok heggenschaar aan de rechterkant van uw lichaam.
- Maak de schouderband vast aan de bevestiging op de stok heggenschaar en stel de lengte van de schouderband zo in dat u gemakkelijk met de machine kunt werken.



### Loshaken

- In een noodgeval, duw inkepingen (1) aan beide kanten, en de bosmaaier zal direct losgehaakt zijn.
- Houd controle over de machine op dat moment en pas op dat de machine niet naar u toe komt of andere personen kan verwonden.

**WAARSCHUWING:** Het niet compleet onder controle houden van de machine kan ernstige (zelfs dodelijke) verwondingen veroorzaken.



# BRANDSTOF/TANKEN



## Benzine/olie mengsel

- De motor van de stok heggenschaar is een zeer efficiënte tweetakt motor die loopt op een mengsel van benzine en tweetakt olie. De motor is ontworpen voor gebruik van loodvrije benzine met een minimaal octaangehalte van 91 ROZ. Als u deze soort benzine niet kunt krijgen, kunt u in plaats daarvan benzine gebruiken met een zo hoog mogelijk octaangehalte. Dit zal geen schade aan de motor toebrengen, maar kan wel een nadelige invloed hebben op de prestaties van de motor. U kunt vergelijkbare resultaten verwachten bij gebruik van loodhoudende benzine. Voor de beste motorprestaties en met het oog op uw en andermans gezondheid en het milieu, dient u indien enigszins mogelijk loodvrije benzine te gebruiken.
- Tweetakt olie (kwaliteitsgraad: TSC-3) moet door de benzine worden gemengd om de bewegende onderdelen binnenin de motor te smeren. De motor is ontworpen voor gebruik van de milieuvriendelijke MAKITA 2-takt olie, die gemengd moet worden in een verhouding van 50:1. Deze speciaal ontwikkelde olie verlengt de levensduur van uw motor en draagt zorg voor betrouwbare prestaties met een minimum aan uitlaatgassen. U moet de mengverhouding van 50:1 (benzine:MAKITA 2-takt olie) strikt in acht nemen, daar anders de betrouwbaarheid van uw stok heggenschaar niet gegarandeerd kan worden.
- Correct benzine/olie mengsel:  
Meng 50 delen benzine met 1 deel MAKITA 2-takt olie (zie ook de tabel rechts).

**OPMERKING:** Bij het aanmaken van het benzine/olie mengsel, kunt u het beste alle benodigde olie mengen met de helft van de benodigde benzine. Voeg daarna de rest van de benzine toe en schud het mengsel goed door elkaar voor u het in de brandstoftank doet. Gebruik niet meer olie dan voorgeschreven. Teveel olie geeft onnodige verbrandingsresten die het milieu vervuilen en de uitlaat en de uitlaatpoort van de cilinder kunnen verstopen. Bovendien zal hierdoor het brandstofverbruik hoger worden en kunt u ook mindere prestaties verwachten.

## Omgaan met petroleumproducten

Wees altijd zeer voorzichtig wanneer u omgaat met brandstof en blijf altijd goed opletten. Aangezien brandstof stoffen bevat die verwant zijn aan oplosmiddelen, dient u te tanken in de open lucht of in een goed geventileerde ruimte. Zorg ervoor dat u benzinedampen niet inademt en dat benzine en olie niet in contact komen met de huid. Uw huid kan uitdrogen wanneer deze langere tijd in contact staat met petroleumproducten. Dit kan leiden tot diverse huidaanandoeningen en allergische reacties.

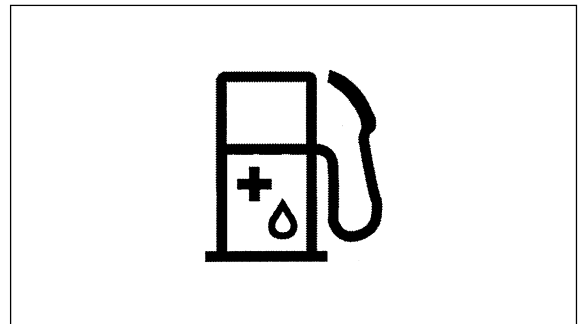
Benzine of olie in de ogen kan zeer ernstige oog-irritatie veroorzaken. Als benzine of olie onverhoopt in iemands ogen terecht komt, dient u onmiddellijk te spoelen met een heleboel schoon water. Als de irritatie niet verdwijnt, dient u onverwijld een arts te raadplegen.

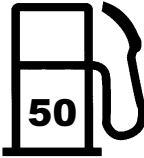

## De motor moet uitgeschakeld zijn!

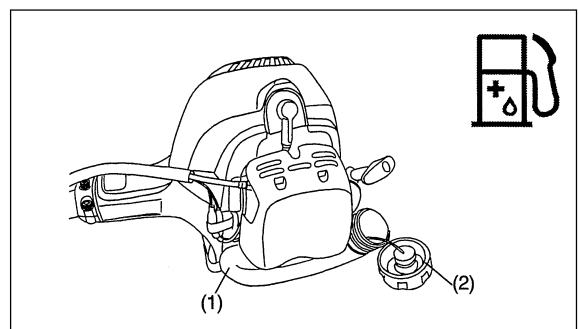
- Reinig de directe omgeving rond de vulopening (2), om te voorkomen dat vuil in de tank (1) komt.
- Draai de benzinetankdop (2) los en vul af.
- Draai de tankdop (2) weer aan.
- Reinig de tankdop (2) en tank na vullen!

## Opslaan van brandstof

- Brandstof bederft wanneer het te lang bewaard wordt.
- Houd slechts een hoeveelheid brandstof op voorraad voor maximaal 4 weken.
- Gebruik alleen speciaal daarvoor bedoelde en goedgekeurde jerrycans en dergelijke voor het bewaren van brandstof.



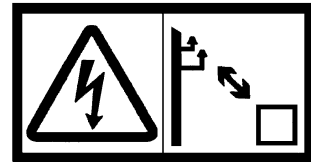
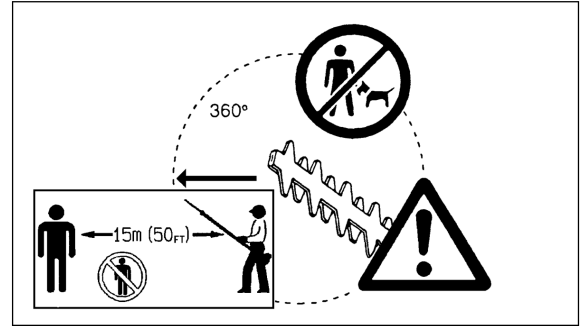
Benzine	Olie
	
1000mL (1L) 5000mL (5L) 10000mL (10L)	20mL 100mL 200mL



## VOORZORGEN BIJ HET STARTEN VAN DE MOTOR



- Houd te allen tijde een veiligheidszone aan van 15 meter rond uw werkterrein. U dient ervoor te zorgen dat alle personen (in het bijzonder kinderen) en/of dieren buiten deze zone blijven.
- Voor u de stok heggenschaar gaat gebruiken moet u controleren of de machine zich in een dusdanige toestand bevindt dat er veilig mee gewerkt kan worden. Controleer of de snijbladen niet beschadigd zijn en of de gashendel soepel werkt. Controleer of de snijbladen niet bewegen wanneer de motor stationair loopt. Als de machine niet naar behoren functioneert, dient u uw dealer te vragen de machine opnieuw af te stellen. Controleer of de handgrepen schoon en droog zijn en test of de I-O schakelaar goed werkt. Start de motor alleen overeenkomstig de instructies in deze handleiding. Gebruik geen andere methoden om uw stok heggenschaar te starten (zie "Starten van de motor").
- Start de motor van de stok heggenschaar alleen als u u de instructies heeft gelezen en begrepen. Probeer in geen geval de stok heggenschaar te starten als deze nog niet volledig gemonteerd is. Dit kan leiden tot ernstig persoonlijk letsel.
- Voor u de motor start moet u controleren of de snijbladen niet geblokkeerd worden door steentjes, takjes of andere harde voorwerpen.
- Controleer het werkterrein op draden, snoeren, glas en andere vreemde voorwerpen die in de snijbladen terecht kunnen komen.
- Elektrische schok: U moet goed letten op alle elektrische bedrading in de buurt. Controleer het gehele werkterrein op de aanwezigheid van stroomkabels en schrikdraad voor u aan de slag gaat.



## STARTEN VAN DE MOTOR



Als u net getankt heeft, moet u de stok heggenschaar tenminste 3 meter van de plaats waar u getankt heeft vandaan brengen voor u de motor gaat starten. Kies een redelijk schone, vlakke ondergrond en let er op dat de snijbladen niet in aanraking komen met de grond of andere vaste voorwerpen.

**Koude start** (koude motor / motor langer dan 5 minuten gestopt / na het tanken)

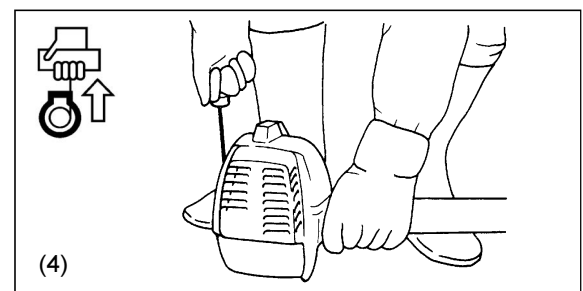
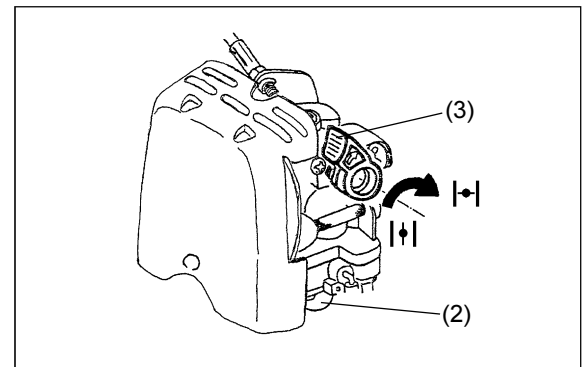
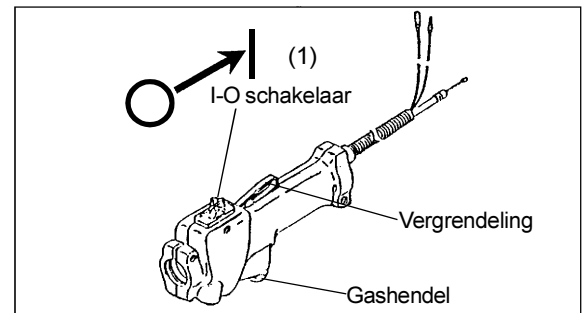
1. Zet de I-O schakelaar in de "I" stand (1).
2. Druk herhaaldelijk op de opvoerpomp (7 tot 10 keer) tot er brandstof in de balg van de pomp komt.
3. Zet de chokehendel (3) in de "↕" (verticale) stand.
4. Houd de motor stevig tegen de grond met een hand (4).
5. Trek ongeveer 10~15 cm van de trekstarter naar buiten tot u weerstand voelt.
6. Trek stevig (herhaaldelijk indien nodig) aan de trekstarter tot de motor aanslaat.
7. Zet de chokehendel terug in de "↕" stand wanneer de motor eenmaal loopt. De chokehendel keert automatisch terug in de beginstand wanneer u de gashendel bedient. Knijp de gashendel samen met de vergrendeling in.
8. Laat de motor 1~2 minuten warmlopen bij een gemiddeld toerental.
9. Als de motor warm is, zal deze mooi regelmatig lopen en kan er soepel en zonder haperen naar een hoger of lager toerental worden overgeschakeld.

**Opmerking:** Als u herhaaldelijk aan de trekstarter trekt terwijl de choke op "↕" staat, kan er teveel brandstof in de cilinder terecht komen waardoor de motor nog moeilijker zal starten. Als de motor op deze manier 'verzuipt', dient u de bougie te verwijderen en langzaam aan de trekstarter te trekken om het teveel aan brandstof kwijt te raken. Maak de elektrode van de bougie droog en doe de bougie weer terug op zijn plaats.

**Warme start** (direct opnieuw starten nadat de motor gestopt is)

Gebruik de choke (3) niet wanneer u de motor opnieuw gaat starten nadat deze kort tevoren gestopt is. Als de motor niet aanslaat, kunt u de stappen 1~8 zoals hierboven beschreven volgen (koude start).

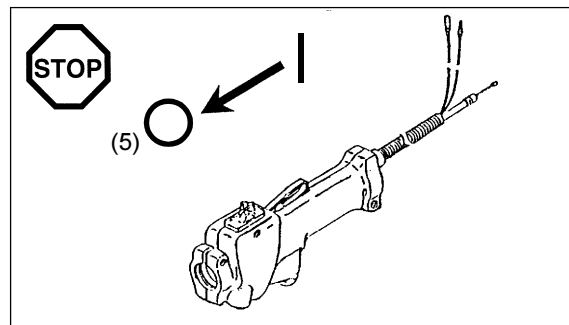
**Opmerking:** Laat de greep van de trekstarter niet direct los nadat u de trekstarter uitgetrokken heeft, maar houd de greep vast en breng deze met de hand rustig terug naar zijn uitgangspositie.



## STOPPEN VAN DE MOTOR



1. Laat de gashendel los
2. Zet de I-O schakelaar op de "O" stand om de motor te laten stoppen.

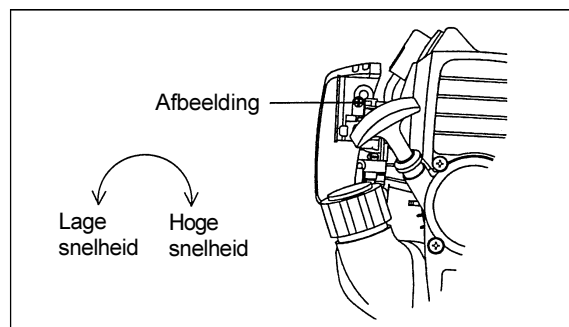


## CONTROLLEREN EN AFSTELLEN VAN HET STATIONAIRE TOERENTAL

Wanneer u de gashendel losgelaten heeft, mogen de snijbladen van de stok heggenchaar niet meer bewegen.

- Het correcte stationaire toerental is 3000 min<sup>-1</sup>. Indien nodig kunt u het stationaire toerental bijstellen met de stationairloop stelschroef (verminder het toerental tot de snijbladen niet meer bewegen).

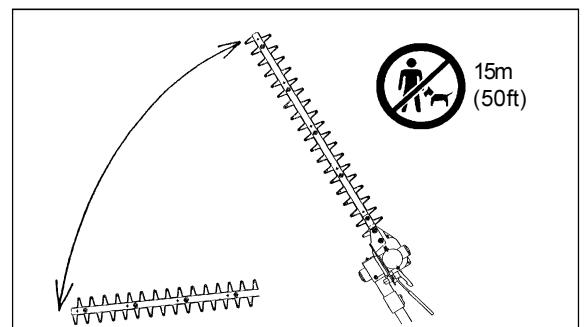
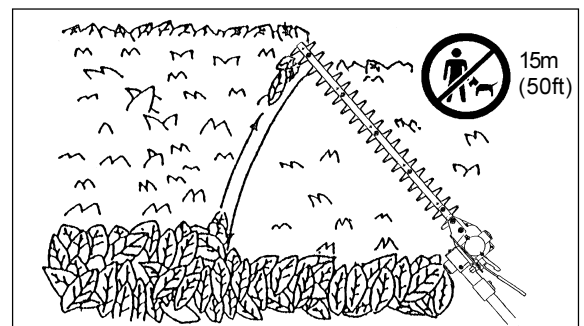
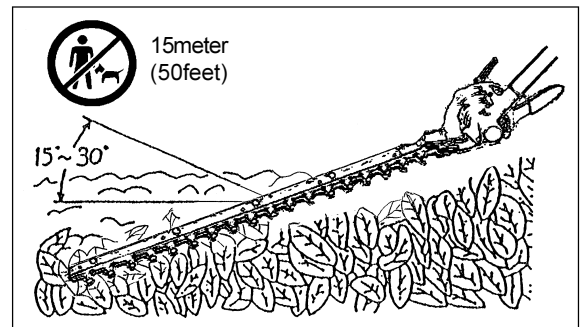
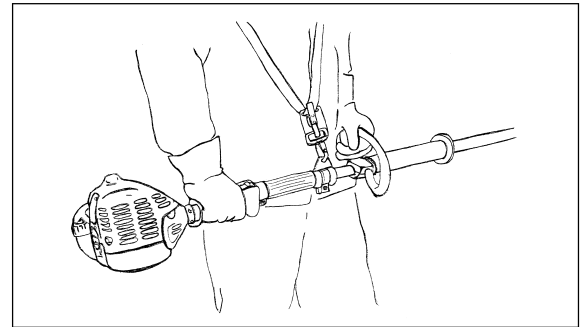
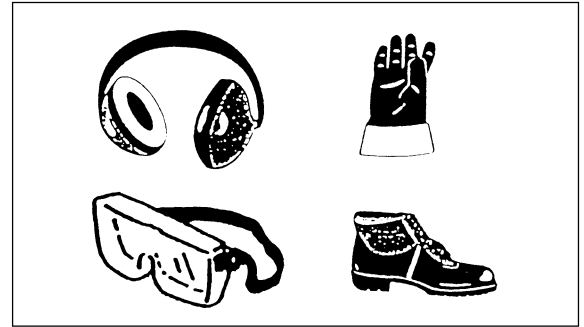
- Draai de schroef met de klok mee: Het stationaire toerental gaat omhoog.
- Draai de schroef tegen de klok in: Het stationaire toerental gaat omlaag. Zorg ervoor dat er genoeg verschil blijft tussen het stationaire toerental en het toerental waarbij de koppeling aangrijpt (verlaag het stationaire toerental indien nodig). Als de snijbladen blijven bewegen, ook al heeft u het stationaire toerental juist ingesteld, dan dient u uw dichtst bijzijnde erkende onderhoudsmonteur te raadplegen.
- De koppeling hoort aan te grijpen bij een minimum toerental van 4000 min<sup>-1</sup>.
- Controleer of de STOP schakelaar, de vergrendeling en de gashendel allemaal goed werken.



# WERKEN MET DE STOK HEGGENSCHAAR



- Houd beide handgrepen goed vast wanneer u met de stok heggenschaar werkt.
- Raak de snijbladen niet aan terwijl de machine gebruikt wordt of wanneer de motor nog loopt.
- Zorg ervoor dat u geen uitlaatgassen inademt wanneer u met de stok heggenschaar werkt. Gebruik de stok heggenschaar in geen geval in een afgesloten ruimte of een ruimte met onvoldoende ventilatie (verstikkings- en vergiftigingsgevaar). Vergeet niet dat koolmonoxide een geurloos gas is en u dus niet kunt ruiken of er gevaar dreigt.
- Draag altijd voldoende persoonlijke beschermingsmiddelen voor u met de stok heggenschaar gaat werken.
- Stop de motor onmiddellijk als de uitlaat niet naar behoren functioneert.
- Gebruik de stok heggenschaar alleen bij goed licht en zicht.
- Werk niet met de stok heggenschaar in het donker of bij mist. Wees voorzichtig op gladde of natte oppervlakken (ijs en sneeuw) in de winter (gevaar voor uitglijden) en zorg er te allen tijde voor dat u stevig op de grond kunt blijven staan.
- Gebruik de stok heggenschaar in geen geval wanneer u op een onstabiele ondergrond of een steile helling staat.
- Gebruik de stok heggenschaar in geen geval wanneer u op een ladder staat.
- Gebruik de stok heggenschaar in geen geval wanneer u zich in een boom bevindt.
- Blijf uitkijken voor draden, snoeren, glas of andere vreemde voorwerpen op het werkterrein die in de snijbladen terecht kunnen komen.
- Kijk of de snijbladen snel bewegen voor u gaat knippen.
- Tijdens het werk moet u de stok heggenschaar te allen tijde stevig met beide handen vasthouden.
- Om de stok heggenschaar te allen tijde onder controle te kunnen houden dient u uw vingers krachtig rond beide handgrepen te krommen (houd de handgreep tussen uw duim en uw wijsvinger).
- Vergeet niet dat de snijbladen nog een seconde of twee nadat u het gas heeft losgelaten in beweging zullen blijven.
- Laat de stok heggenschaar niet snijden bij een laag toerental.
- De snelheid van de snijbladen kan niet goed worden geregeld met de gashendel wanneer de motor langzaam draait.
- Om de bovenkant van een heg te knippen, dient u eerst de heggenschaar in een hoek van 15°~30° ten opzichte van de stok te zetten, afhankelijk van de heg, zodat u de stok heggenschaar horizontaal kunt blijven houden. Begin vervolgens te knippen met een zwaaiende beweging, alsof u cirkelsegmenten (taartpunten) tekent met de as van de stok heggenschaar.
- Om de zijanten van een heg te knippen, dient u de snijbladen parallel te zetten aan het te knippen oppervlak en knipt u vervolgens met halfcirkelvormige bewegingen op en neer.
- Let op wanneer u een heg moet knippen die langs een hek groeit. Laat de snijbladen niet in aanraking komen met harde voorwerpen, zoals een metalen hek. Als de snijbladen harde voorwerpen zoals metaal, stenen, beton of te dik hout proberen te knippen, kunnen de snijbladen of zelfs de hele machine, kapot gaan.
- Werk niet te lang achtereen met de stok heggenschaar. Al vuistregel dient u na elke 50 minuten werk 10-20 minuten rust te nemen.
- Als de snijbladen in aanraking komen met stenen of andere harde voorwerpen dient u onmiddellijk de motor te stoppen en te controleren of de snijbladen beschadigd zijn. Vervang de snijbladen als deze inderdaad beschadigd zijn.
- Als er zich tijdens het werk een probleem met de stok heggenschaar voordoet (vreemde geluiden, trillingen enz.), dient u onmiddellijk de motor te stoppen. Gebruik de machine niet opnieuw voordat u het probleem heeft gevonden en opgelost.
- Doe uw uiterste best om vervuiling en geluidsoverlast tot een minimum te beperken wanneer u met stok heggenschaar werkt. Let er in het bijzonder op dat de carburateur goed afgesteld staat en dat u het juiste benzine/olie mengsel gebruikt.
- Als de snijbladen geblokkeerd raken door te dikke takken, dient u onmiddellijk de motor te stoppen, de machine op de grond te leggen en de blokkering op te heffen. Controleer of de snijbladen beschadigd zijn voor u de machine opnieuw gaat gebruiken.

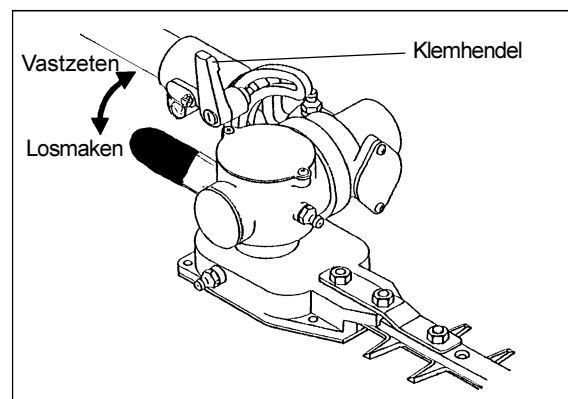


## Instellen van de hoek waaronder geknipt wordt

1. Stop de motor van de stok heggenschaar en leg de machine op de grond.
2. Om de hoek tussen de stok en de heggenschaar te veranderen, dient u de klemhendel aan de bovenkant van de heggenschaar los te maken door deze tegen de klok in te draaien.
3. Stel de hoek tussen de heggenschaar en de stok in en draai de klemhendel met de klok mee om deze vast te zetten.
  - De hoek tussen de heggenschaar en de stok kan worden ingesteld tussen 45° en 90°.

### Opmerking:

- Stel de heggenschaar niet bij terwijl de stok heggenschaar rechtop staat.
- Zet de I-O schakelaar op de "O" stand en leg de stok heggenschaar plat op de grond voor u de hoek waaronder geknipt wordt gaat veranderen.
- Beveilig altijd eerst de snijbladen met de meegeleverde schede voor u de hoek waaronder geknipt wordt gaat veranderen.



## ONDERHOUD

- Voor u enig onderhoud aan de stok heggenschaar gaat uitvoeren (schoonmaken van de snijbladen enz.) moet u te allen tijde eerst de motor stoppen en wachten tot de motor is afgekoeld. Als een aanvullende veiligheidsmaatregel dient u ook de bougiekap los te maken.
- Probeer in geen geval een verbogen of gebroken snijblad weer ercht te buigen of te lassen. Beschadigde snijbladen dienen onmiddellijk vervangen te worden.
- Stop de motor regelmatig om te controleren of de snijbladen beschadigd zijn (tik er ook tegen en luister naar de toon om moeilijk met het blote oog waar te nemen haarscheurtjes op te sporen). Zorg er ook altijd voor dat de tanden van de snijbladen scherp zijn.
- Maak de stok heggenschaar regelmatig schoon. Bij het schoonmaken dient u ook te controleren of alle schroeven, moeren en bouten stevig vast zitten.
- Om brandgevaar te voorkomen mag u de stok heggenschaar in geen geval opslaan of er onderhoud aan uitvoeren in de buurt van open vuur.
- Draag altijd stevige werkhandschoenen wanneer u de snijbladen moet hanteren.
- Neem contact op met uw dealer wanneer u nieuwe snijbladen nodig heeft.



### Slijpen van de snijbladen

Als de snijbladen bot zijn geworden en er niet meer makkelijk geknipt kan worden, dient u de snijbladen te laten slijpen door een erkende reparateur.

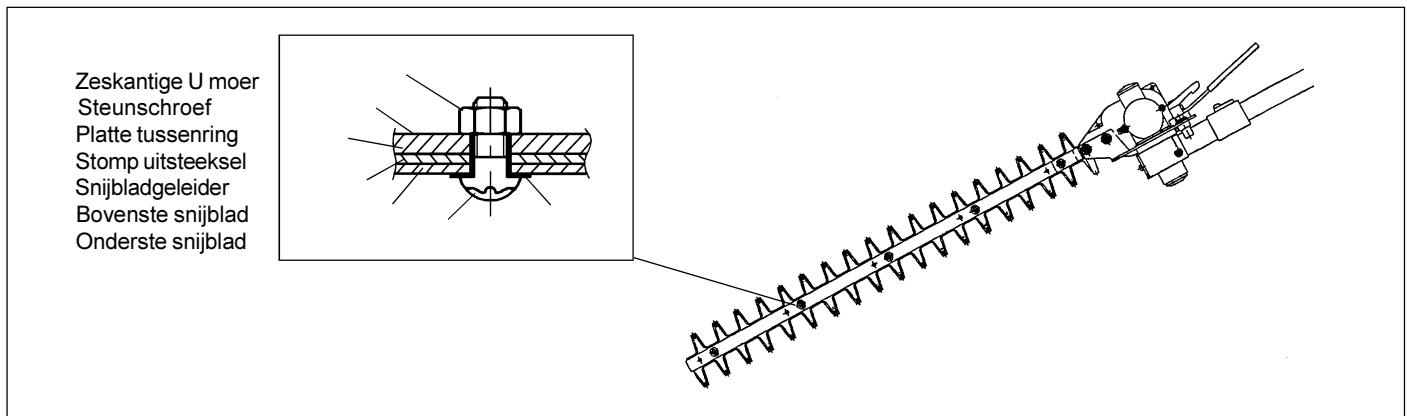
## Bijstellen van de snijbladen



De snijbladen zullen langzaam verslijten naarmate u ze langer gebruikt. Stel de snijbladen bij wanneer u merkt dat de prestaties achteruit gaan. Volg onderstaande instructies voor het bijstellen van de snijbladen.

1. Maak moer los.
2. Draai schroef een beetje vaster tot u weerstand voelt. Draai vervolgens deze schroef een kwart of een halve omwenteling in de tegenovergestelde richting (losser).
3. Houd schroef op zijn plaats met een schroevendraaier en draai moer vast.
4. Nadat u de snijbladen heeft bijgesteld, dient u ze te smeren met een dun laagje lichte machine-olie.
5. Start de motor en gebruik de gashendel om een de snijbladen een paar keer in beweging te laten komen. Ga hier ongeveer een minuut mee door.
6. Stop de motor en wacht totdat de snijbladen volledig tot stilstand zijn gekomen. Raak de snijbladen voorzichtig aan met uw blote hand. De snijbladen zijn goed afgesteld wanneer ze warm zijn, maar niet zo heet dat u ze niet aan kunt raken. Als de snijbladen zo heet zijn dat u ze niet aan kunt raken, moet u schroef nog eens een kwart of een halve omwenteling lossier draaien en de stappen 5-6 herhalen om te controleren of de snijbladen correct zijn afgesteld.

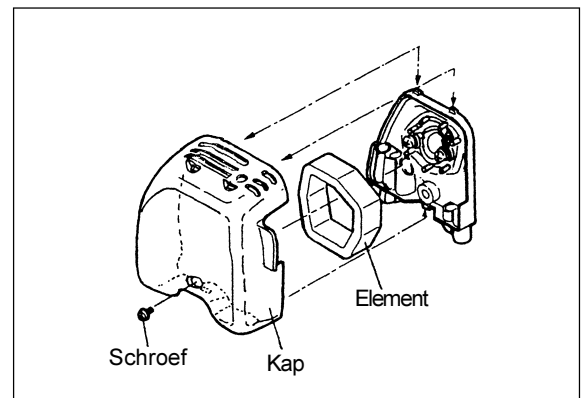
**OPMERKING:** Stop te allen tijde eerst de motor en maak de boegiedop los voor u de snijbladen gaat bijstellen! De snijbladen zijn voorzien van groeven rond de steunschroeven. U moet deze groeven altijd netjes schoon houden zodat u eventuele beschadigingen gemakkelijk zult kunnen constateren.



## Schoonmaken van het luchtfilter - Elke 8 bedrijfsuren (dagelijks)

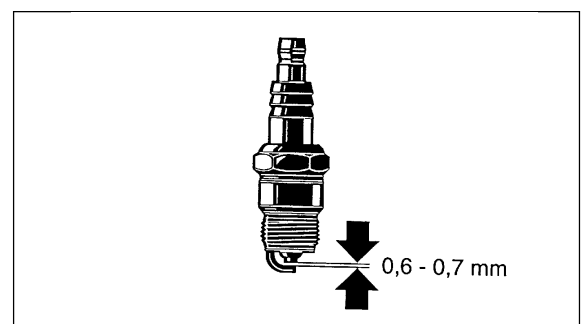
- Verwijder het deksel van het luchtfilter.
- Verwijder het spons-element. Was het spons-element in lauw water en laat het goed drogen.
- Doe het schone en droge spons-element terug op zijn plaats en doe tenslotte het deksel van het luchtfilter weer terug.

**Opmerking:** Maak het luchtfilter elke dag schoon. Een verstopt luchtfilter zal het moeilijk of zelfs onmogelijk maken om de motor te starten en/of gas te geven.



## Controleren van de bougie - Elke 8 bedrijfsuren (dagelijks)

- Gebruik uitsluitend de meegeleverde sleutel om de bougie in en uit te draaien.
- De elektrodenafstand van deze bougie hoort 0,6-0,7 mm te zijn. Verander de elektrodenafstand als deze te groot of te klein is. Maak de bougie schoon of vervang indien nodig wanneer deze vuil is en/of er koolaanslag op zit. Vervang de bougie altijd door een van hetzelfde type.

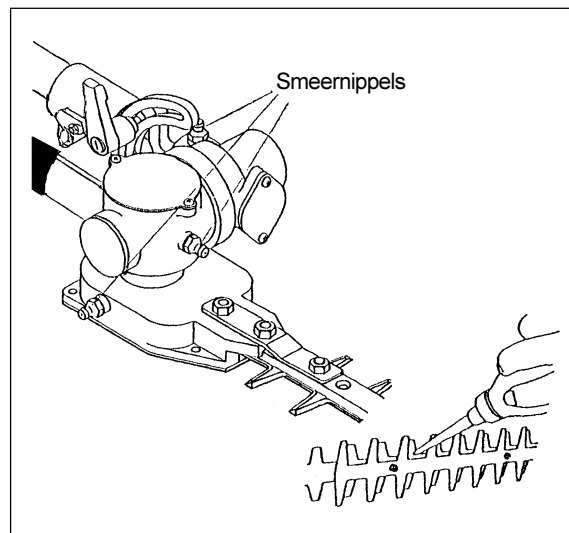




### Smering

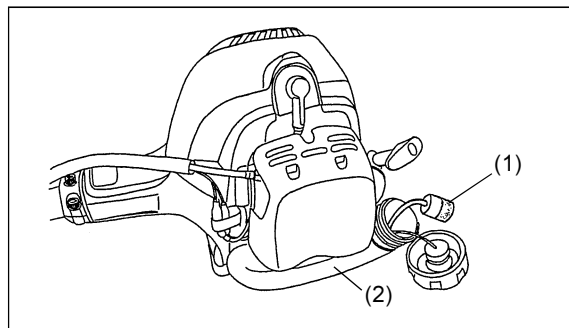
- De overbrenging van de stok heggenschaar moet om de 20 bedrijfsuren gesmeerd worden. Voeg ongeveer 10 cc smeervet (Shell Alvania No. 3 of gelijkwaardig) toe via de smeernippels. (Er zal wat vet uit de kop van de overbrenging (aan het begin van de snijbladen) komen wanneer de stok heggenschaar voor het eerst na het smeren gebruikt wordt. Gebruik dit als een ruwe indicatie van de hoeveelheid vet die toegevoegd moet worden.)

Opmerking: Neem de intervallen en de hoeveelheden smeervet strikt in acht. De mechanische onderdelen van de sms kunnen beschadigd raken als er niet op tijd of niet genoeg gesmeerd wordt.



### Brandstoftank-filter

- In de brandstoftank zit een filter (1) dat de brandstof zeeft voor deze naar de carburateur gaat.
- Kijk regelmatig naar dit filter. Maak een soort haak met een stukje ijzerdraad en haal daarmee het filter uit de tank (2). Vervang het filter als het hard is geworden, verstopt zit of erg vuil is.
- Onvoldoende brandstoftoevoer ten gevolge van een slecht brandstoffilter kan leiden tot slechtere prestaties van de motor. Als u twijfelt over de toestand van het brandstoffilter kunt u daarom beter het zekere voor het onzekere nemen en het filter vervangen.



### Schoonmaken van de uitlaat

- Controleer de toestand van de uitlaat (3) regelmatig.
- Gebruik daarvoor geschikt gereedschap om koolafzetting rond de uitlaat te verwijderen. Pas op dat er geen brokjes koolafzetting in onderdelen van de motor terecht komen.

### Schoonmaken van de vonkenvanger

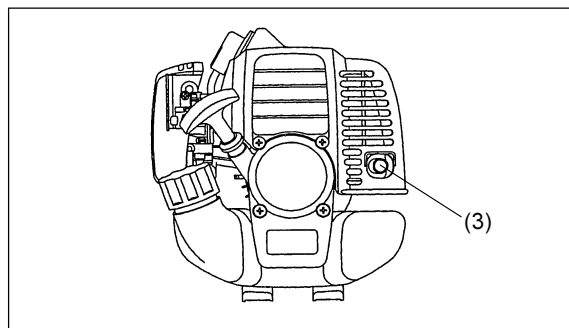
- De vonkenvanger dient om de 50 bedrijfsuren schoongemaakt te worden.
- Laat de vonkenvanger schoonmaken bij uw dealer of door een erkende onderhoudsmonteur.

Voor al het onderhoud dat niet wordt genoemd in de deze handleiding dient u uw dealer of een erkende onderhoudsmonteur te raadplegen.

### Dagelijkse inspectie en onderhoud

Om zo lang mogelijk te kunnen profiteren van uw stok heggenschaar dient u dagelijks de volgende inspecties en onderhoud uit te voeren.

- Controleer elke dag voor u aan het werk gaat of er onderdeel los zitten of weg zijn. Let in het bijzonder op de heggenschaar zelf en controleer of de schroeven waarmee de snijbladen bevestigd zijn goed vast zitten.
- Controleer elke dag voor u aan het werk gaat of de openingen en de vinnen voor de luchtcoeling van de cilinder niet verstopt zitten. Maak deze schoon indien nodig.
- Elke dag dient u het volgende te doen als u klaar bent met het werken met uw stok heggenschaar.
  - Maak de buitenkant van de stok heggenschaar schoon; controleer op beschadigingen en los geraakte onderdelen.
  - Maak het luchtfilter schoon. Het luchtfilter moet meer malen per dag schoon worden gemaakt als u onder zeer stoffige omstandigheden moet werken.
  - Controleer of de snijbladen beschadigd zijn. Controleer of de snijbladen goed vast zitten.

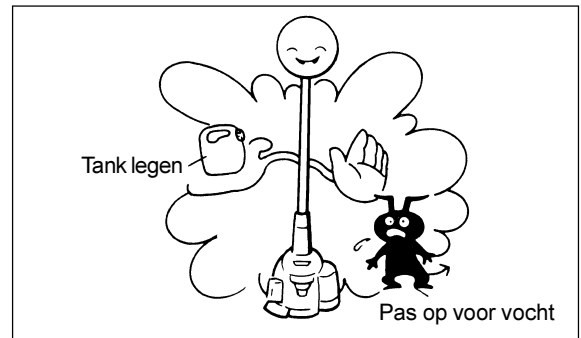




## OPSLAG

Als u de stok heggenschaar langere tijd wilt opslaan, dient u als volgt te werk te gaan:

- Tap alle brandstof af uit de tank en de carburateur.
- Verwijder de bougie en doe een paar druppeltjes tweetakt olie in het gat voor de bougie. Trek rustig aan de trekstarter om de olie gelijkmatig over de onderdelen binnenin de motor te verdelen. Doe de bougie terug en draai deze vast.
- Maak de hele stok heggenschaar goed schoon en breng een dun laagje olie aan op de metalen oppervlakken van de machine. Beveilig en bescherm de snijbladen met de meegeleverde schede. Bewaar de stok heggenschaar niet op een vochtige plek.



## ONDERHOUDSSCHEMA

Algemeen	Motor Schroeven, moeren, bouten	Controleer de algemene toestand en veiligheid. Kijk of de machine beschadigd is. Controleer of de schroeven, moeren en bouten goed vast zitten.
Na het tanken	Gashendel Vergrendeling STOP schakelaar	Werking controleren. Werking controleren. Werking controleren.
Dagelijks	Luchtfilter Koelingskanaal Heggenschaar Stationairloop	Schoonmaken Schoonmaken Controleren op schade, scherpte Controleren of de snijbladen niet bewegen.
Elke 20 bedrijfsuren	Overbrenging	Smeren
Wekelijks	Bougie Uitlaat	Controleren, vervangen indien nodig. Controleren, uitlaat schoonmaken indien nodig.
Per kwartaal	Brandstoffilter Brandstoftank	Controleren, vervangen indien nodig. Binnenkant schoonmaken.
Voor opslag	Brandstoftank Carburateur	Tank aftappen. Laat de motor lopen tot alle brandstof verbruikt is.

## OPLOSSEN VAN PROBLEMEN

Probleem	Systeem	Waarneming	Oorzaak
Motor start niet of moeilijk	Ontsteking	Wel vonk	Probleem met brandstofvoevoer of compressie systeem, mechanisch defect
		Geen vonk	STOP schakelaar staat uit, gebroken draad, bougie of bougiekabel of -dop defect, ontstekingsmodule defect
	Brandstofvoevoer	Wel brandstof	Choke staat verkeerd, carburateur defect, brandstoffilter verstopt, gebroken of geknikte brandstofslang.
	Compressie	Motor, inwendig	Koppakking lek, krukas afdichtingen beschadigd, defecte zuiger- en/of cilinderringen
		Motor, uitwendig	Losse bougie
Warme start problemen	Mechanisch	Starter werkt niet	Trekstarterverveer defect, mechanisch defect in de motor
Motor start maar slaat direct af	Brandstofvoevoer	Wel brandstof, ontsteking werkt	Carburateur vuil (laten schoonmaken)
		Wel brandstof	Stationairloop niet juist afgesteld, carburateur of brandstoffilter vuil Beluchting brandstoftank verstopt, brandstofslang kapot, STOP schakelaar defect (los contact enz.)
Slechte prestaties	Er kan tegelijkertijd iets mis zijn met diverse systemen	Stationairloop	Luchtfilter vuil, carburateur vuil, uitlaat verstopt, uitlaatpoort cilinder verstopt

Muchas gracias por su elección del Cortasetos Articulado de Altura de MAKITA. Nos complace ofrecerles un producto que es el resultado de un gran programa de desarrollo, al que dedicamos muchos años de conocimientos y experiencia. Para obtener los mejores resultados posibles de su Cortasetos Articulado de Altura de MAKITA, lea completamente este manual antes de utilizar la máquina y siga todas las instrucciones contenidas para asegurarse que hace funcionar correctamente el Cortasetos Articulado de Altura de MAKITA.



<b>Índice</b>	<b>Página</b>
Símbolos	82
Instrucciones para su seguridad	83~86
Especificaciones	87
Avería de piezas	88
Conexión de la unidad de cortasetos en el articulado de altura	89
Instalación del mango	89
Utilización de la correa al hombro	89
Combustible/carga de combustible	90
Precauciones antes de arrancar el motor	91
Arranque del motor	91
Parada del motor	92
Verificación y ajuste de la velocidad de marcha mínima	92
Funcionamiento del Cortasetos Articulado de Altura	93~94
Mantenimiento	94~96
Almacenamiento	97
Programa de mantenimiento	97
Localización de averías	97

## SÍMBOLOS

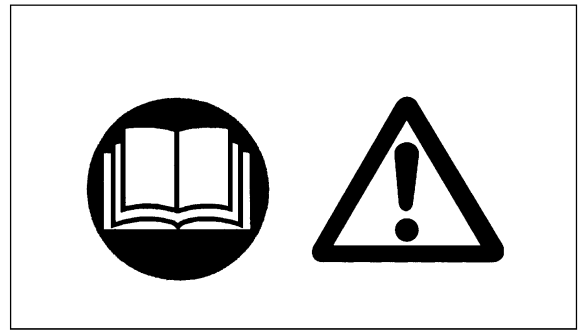
Preste atención a los siguientes símbolos cuando lea este manual de instrucciones

	ADVERTENCIA/PELIGRO		Cuidado con atraparse
	Antes del uso, lea cuidadosa y entienda todas las instrucciones de este manual		Cuidado con las líneas eléctricas, puede recibir una descarga eléctrica
	PROHIBICIÓN		Mezcla de gasolina/aceite
	No fumar		Arranque manual del motor
	No exponga a llamas o fuego		Parada de emergencia
	Utilice zapatos protectores		Primeros auxilios
	Utilice guantes protectores		Reciclable
	Mantenga alejadas a las personas y animales domésticos del lugar de trabajo		ON/START
	Utilice un casco protector y protección para ojos y oídos		OFF/STOP
			Marca CE

# INSTRUCCIONES PARA SU SEGURIDAD

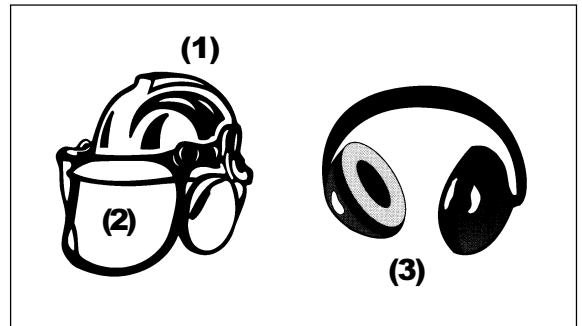
## Instrucciones generales

- Antes de utilizar, lea cuidadosamente este manual y familiarícese con el manejo correcto del Cortasetos Articulado de Altura. ¡ESTE EQUIPO PUEDE PROVOCAR HERIDAS DE GRAVEDAD SI LO UTILIZA MAL!
- Explique detalladamente el uso correcto del Cortasetos Articulado de Altura cuando preste el equipo a otra persona. Entregue siempre el manual de instrucciones junto con el Cortasetos Articulado de Altura.
- Las personas que lo utilizan por primera vez deben solicitar que la tienda le dé instrucciones básicas sobre el manejo correcto del Cortasetos Articulado de Altura.
- Guarde este manual en un lugar de fácil acceso para consultarlo rápidamente.
- No permita que las personas de menos de 18 años utilicen el Cortasetos Articulado de Altura. Sin embargo, los mayores de 16 años pueden utilizar el Cortasetos Articulado de Altura para entrenamiento si están bajo supervisión constante de un adulto familiarizado con el uso del Cortasetos Articulado de Altura.
- Utilice siempre el Cortasetos Articulado de Altura con máximo cuidado y atención.
- Puede herirse gravemente si utiliza el Cortasetos Articulado de Altura en los siguientes casos. No utilice el Cortasetos Articulado de Altura:
  - Cuando está cansado o enfermo.
  - Después de tomar bebidas alcohólicas y/o medicamentos.
  - De noche o cuando hay poca luz.
  - Si está embarazada.



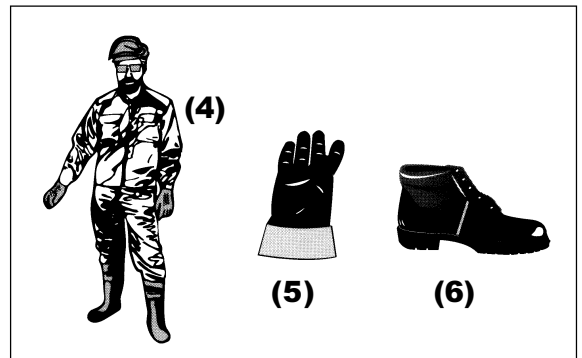
## Usos propuestos

- Este Cortasetos Articulado de Altura fue diseñado exclusivamente para cortar setos y arbustos con un diámetro de rama máximo de 6 mm. No utilice el Cortasetos para ningún otro propósito.



## Equipo de protección personal

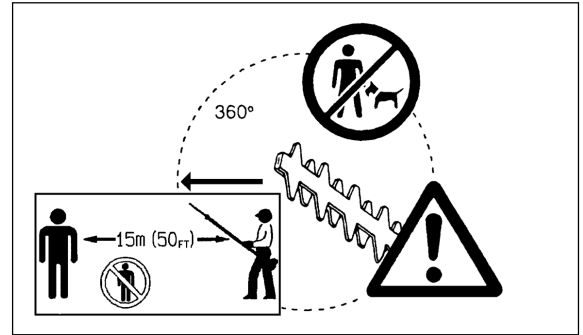
- Utilice ropa funcional y ajustada al cuerpo, sin que impida sus movimientos. No utilice ropa o joyas que puedan enredarse en los setos o en la máquina.
- Para una buena protección contra heridas en la cabeza, ojos, pies, manos y problemas de audición, debe utilizar el siguiente equipo de protección y ropa para trabajar con el Cortasetos Articulado de Altura.
- Para no herir la cabeza o los ojos, utilice un casco protector (1) con gafas o visor (2).
- Para evitar problemas de audición, utilice tapones para oídos (3) en todo momento.
- Se recomienda el uso de un overol (4) o mono ajustado al cuerpo.
- Utilice siempre guantes de trabajo de cuero (5) cuando haga funcionar el Cortasetos Articulado de Altura.
- Cuando utilice el Cortasetos Articulado de Altura, póngase siempre zapatos resistentes con suela no deslizante. Los zapatos de trabajo especiales aseguran un buen apoyo en el suelo y protección contra heridas.



### Arranque del Cortasetos Articulado de Altura

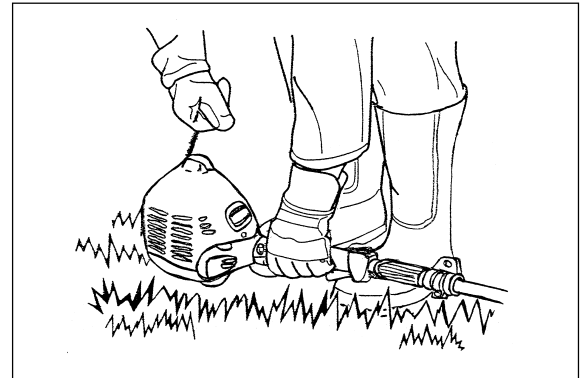
- En todo momento deje una zona de seguridad de 15 metros de diámetro alrededor del área de trabajo. Asegúrese de que todas las personas (especialmente los niños) y/o animales están fuera de esta zona. En general, evite el uso del Cortasetos cuando haya gente (especialmente niños) cerca.
- Antes de arrancar el Cortasetos Articulado de Altura, compruebe que la máquina está en condiciones de funcionamiento seguro.
- Confirme el funcionamiento del mecanismo de seguridad de la palanca de la mariposa de gases. La palanca de bloqueo debe moverse suave y fácilmente. Compruebe que la palanca de bloqueo funciona correctamente. Compruebe que los mangos están limpios y secos y pruebe el interruptor STOP para confirmar que funciona bien.

Arranque siempre el Cortasetos Articulado de Altura de acuerdo con las instrucciones de este manual.



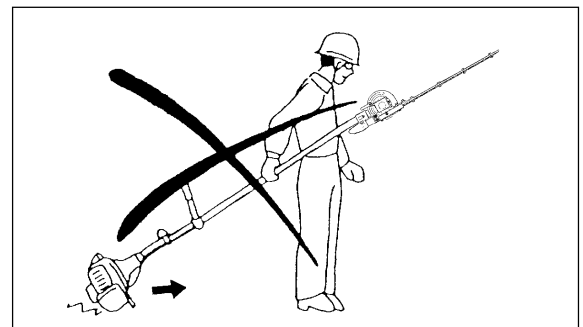
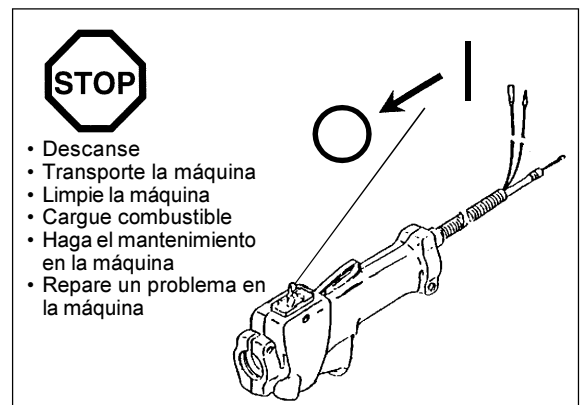
### Respete las siguientes instrucciones para el arranque del Cortasetos Articulado de Altura

- Arranque el Cortasetos Articulado de Altura solo después de armar completamente la máquina y de instalar todos los accesorios.
- Antes de arrancar el motor, compruebe que las cuchillas cortadoras no están obstruidas por objetos extraños tales como piedras, ramas, etc.
- Pare inmediatamente el motor si tiene problemas en el motor.
- Cuando haga funcionar el Cortasetos Articulado de Altura, empuñe firmemente ambos mangos. Utilice sus dedos para empuñar sus mangos, envolviendo el mango entre el pulgar y el dedo índice. Para controlar el Cortasetos Articulado de Altura en todo momento, no cambie la forma de empuñar el mango durante el uso. Confirme que los mangos de control están en buen estado, libre de humedad, barro, aceite o grasa.



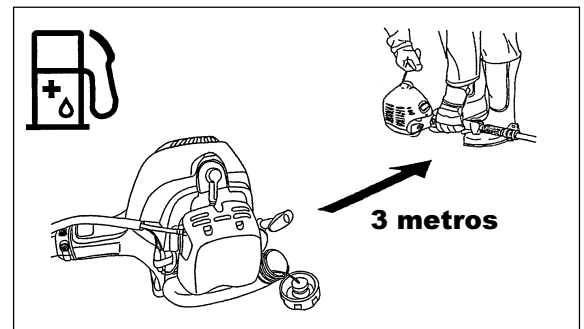
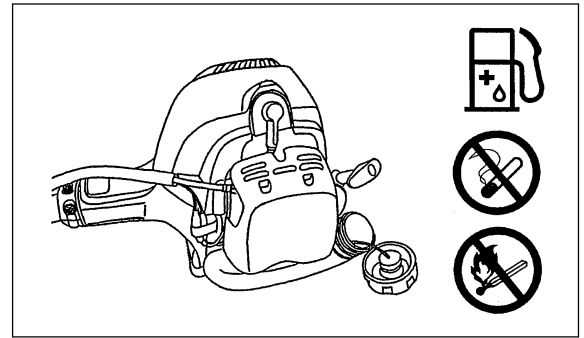
### Asegure siempre que su apoyo sobre los pies está bien balanceado

- Utilice el Cortasetos Articulado de Altura sólo en exteriores.
- Pare siempre el motor inmediatamente y deje de utilizar si se producen problemas en el motor o si se escuchan ruidos extraños.
- El humo del escape es venenoso. No haga funcionar la máquina en una habitación cerrada o túnel sin circulación de aire (puede asfixiarse o envenenarse con el gas). Recuerde que el monóxido de carbono es un gas sin olor. Compruebe que el área donde haga funcionar el motor tenga Buena circulación de aire.
- Para el motor mientras descansa o cuando deja el Cortasetos Articulado de Altura sin vigilancia. Guarde la máquina en un lugar seguro y confirme que no hay material combustible cerca.
- No deje nunca el Cortasetos caliente sobre pasto seco o material combustible.
- Para reducir el peligro de un incendio, mantenga el motor y silenciador libre de restos, hojas o excesiva lubricación.
- No haga funcionar el motor si hay problemas en el silenciador.
- Apague el motor antes de transportarlo.
- Pare siempre el motor en los siguientes casos. Cuando:
  - Descanse
  - Transporte la máquina
  - Limpie la máquina
  - Cargue combustible
  - Haga el mantenimiento en la máquina
  - Repare un problema en la máquina
- Cuando transporte la máquina en un vehículo, asegure firmemente el Cortasetos Articulado de Altura para evitar fugas de los restos de combustible que puedan quedar.
- Vacíe siempre el tanque de combustible antes de transportar el Cortasetos Articulado de Altura en un vehículo.
- Cuando baje la máquina de un vehículo, tenga especial cuidado de no dejar caer el Cortasetos Articulado de Altura al suelo porque puede dañar gravemente el tanque de combustible.
- Excepto en una emergencia, no deje caer el Cortasetos Articulado de Altura ya que puede dañar seriamente la máquina.
- Cuando transporte el Cortasetos Articulado de Altura, siempre levante la máquina completamente del suelo. No arrastre el motor por el suelo porque puede dañar el tanque de combustible provocar un incendio.
- Utilice siempre una cubierta de cuchilla cortadora incluida para proteger y asegurar la sección de corte del Cortasetos Articulado de Altura durante el transporte y almacenamiento.



### Carga de combustible

- Antes de cargar el combustible, pare el motor.
- No cargue el combustible cerca de una llama
- No fume durante la carga de combustible.
- Espere el tiempo suficiente como para que el motor se enfríe antes de cargar el combustible.
- Tenga cuidado y no permita que la piel entre en contacto con productos basándose en petróleo. No respire los vapores de gasolina y utilice siempre guantes protectores cuando cargue el combustible. Cambie y limpie la ropa de protección a intervalos regulares.
- Tenga especial cuidado y evite derramar gasolina y aceite para no contaminar el suelo (protección del medio ambiente). Si ha derramado gasolina o aceite en el Cortasetos, limpie inmediatamente la superficie del Cortasetos con un trapo. Para evitar una combustión espontánea, espere hasta que los trapos se sequen lo suficiente antes de deshacerse de ellos en un recipiente tapado, apropiado.
- Compruebe que su ropa no se ensucia con el combustible. Cambie inmediatamente la ropa si se ha ensuciado con el combustible (peligro de incendio).
- Cierre el tanque de combustible y apriete firmemente la tapa de combustible. Para volver a arrancar el motor, transfiera el Cortasetos Articulado de Altura a un lugar alejado por lo menos 3 metros del lugar de carga de combustible.
- Inspeccione el tanque de combustible a intervalos regulares para confirmar que está bien apretada.
- No cargue combustible en la máquina en un lugar cerrado. Los vapores de combustibles se acumulan cerca del suelo (peligro de explosión).
- Guarde el combustible en un recipiente apropiado y asegúrese de que el combustible guardado está fuera del alcance de los niños.
- Para evitar que se dañen los tubos de combustible y piezas del motor, evite el uso de gasolina que contenga etanol o methanol (tipos de alcohol) cuando mezcle gasolina con el aceite de motor de dos carreras.



### Funcionamiento

- Durante el funcionamiento, sujete el Cortasetos Articulado de Altura con ambas manos en todo momento.
- Sólo utilice el Cortasetos Articulado de Altura en lugares con buena luz y visibilidad. Tenga cuidado en lugares resbalosos y mojados (hielo y nieve) durante la estación fría (peligro de patinar), y párese firmemente con los pies bien apoyados.
- No utilice el Cortasetos Articulado de Altura mientras está parado sobre una superficie inestable o pendiente pronunciada.
- No utilice el Cortasetos Articulado de Altura mientras esté subido a una escalera.
- No suba a un árbol para utilizar el Cortasetos Articulado de Altura subido a un árbol.
- Para no tropezar o caerse sobre un objeto, no camine hacia atrás cuando trabaje con el Cortasetos Articulado de Altura.
- Pare siempre el motor antes de limpiar o hacer el servicio de la máquina. No cambie piezas antes de que el motor haya parado completamente.
- No haga funcionar el Cortasetos Articulado de Altura si la unidad de corte está dañada o desgastada.



### Instrucciones de mantenimiento

- Haga todo lo que pueda para reducir las emisiones de polución y ruido al mínimo cuando haga funcionar el Cortasetos Articulado de Altura. Preste especial atención al ajuste correcto del carburador.
- Limpie el Cortasetos a intervalos regulares e inspeccione periódicamente que todas las tuercas y pernos están bien apretados.
- Nunca haga el servicio o guarde el Cortasetos Articulado de Altura cerca de llamas, chispas, etc.
- Vacíe el tanque de combustible antes de guardar, y guarde siempre el Cortasetos Articulado de Altura en una habitación cerrada bajo llave y con buena circulación de aire. Asegúrese de que el Cortasetos Articulado de Altura está fuera del alcance de los niños, en todo momento.
- Para evitar daños adicionales y/o heridas, no repare un Cortasetos Articulado de Altura averiado si no está calificado para ello. Para las reparaciones, llame siempre a su tienda o taller de servicio autorizado.



No trate de modificar o renovar el Cortasetos Articulado de Altura porque puede afectar su funcionamiento seguro.

Los trabajos de mantenimiento que pueda hacer el usuario por su cuenta están limitados a las actividades descritas en este manual de instrucciones. Todo otro procedimiento debe hacerse en un taller de servicio autorizado.

Utilice solo piezas de repuesto auténticas suministradas por MAKITA a través de sus centros de servicio autorizados.

El uso de accesorios y herramientas no autorizados puede aumentar el riesgo de accidentes y heridas. MAKITA no se hace responsable por accidentes o daños derivados del uso de accesorios y piezas no autorizados.

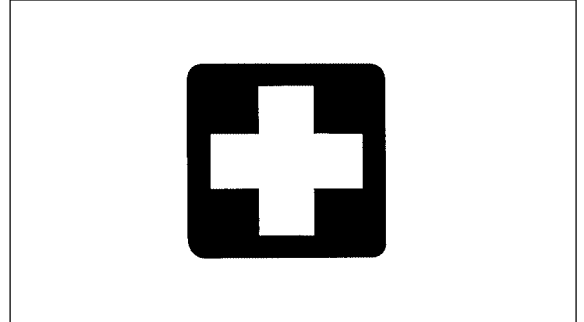
#### Primeros auxilios

Como precaución para el caso de un accidente, tenga siempre una caja de primeros auxilios completa, a mano.

Cambie los elementos tomados de la caja de primeros auxilios lo antes posible.

#### Cuando solicite ayuda en caso de emergencia, dé la siguiente información:

- Lugar del accidente
- Qué sucedió
- Número de personas heridas
- Gravedad de las heridas
- Su nombre



#### Embalaje

El Cortasetos Articulado de Altura se entrega en una caja de cartón protegida para evitar daños durante el envío. El cartón es un material básico que puede volver a utilizar y reciclar (reciclado de papeles viejos).



## Declaración de conformidad de la Comunidad Europea (EC)

#### Tipos: PTR2500

Declaramos bajo nuestra única responsabilidad que este producto está de acuerdo con las normas siguientes de los documentos de normalización ISO11806, EN774, ISO11680, y EN55012 según indican las Directivas del Consejo 89/392/EEC, 98/37/EEC enmendada, 93/68/EEC, 89/336/EEC y 92/31/EEC enmendada.

Fuerza del sonido medida: 106 dB

Fuerza del sonido garantizada: 108 dB

Estos niveles de fuerza del sonido fueron medidos de acuerdo con la Directiva del Consejo 2000/14/EC.

Los procedimientos de la evaluación de la conformidad: Anexo V

CE2007

Tomoyasu Kato  
Director

Fabricante responsable:

**Makita Corporation.**

3-11-8, Sumiyoshi-cho, Anjo, Aichi, Japón

Representante autorizado en Europa:

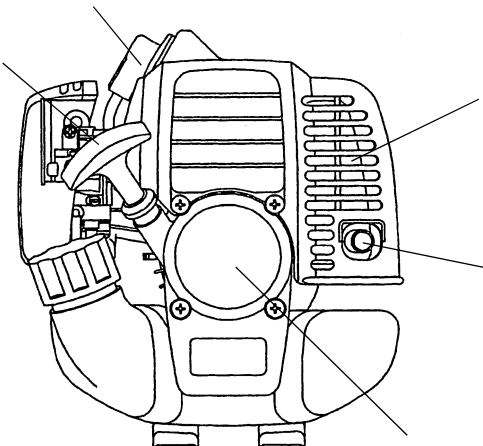
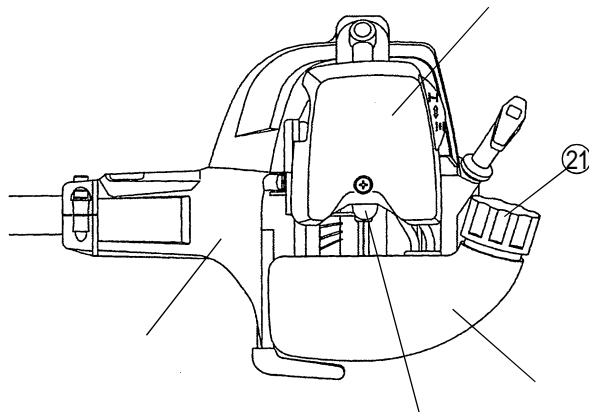
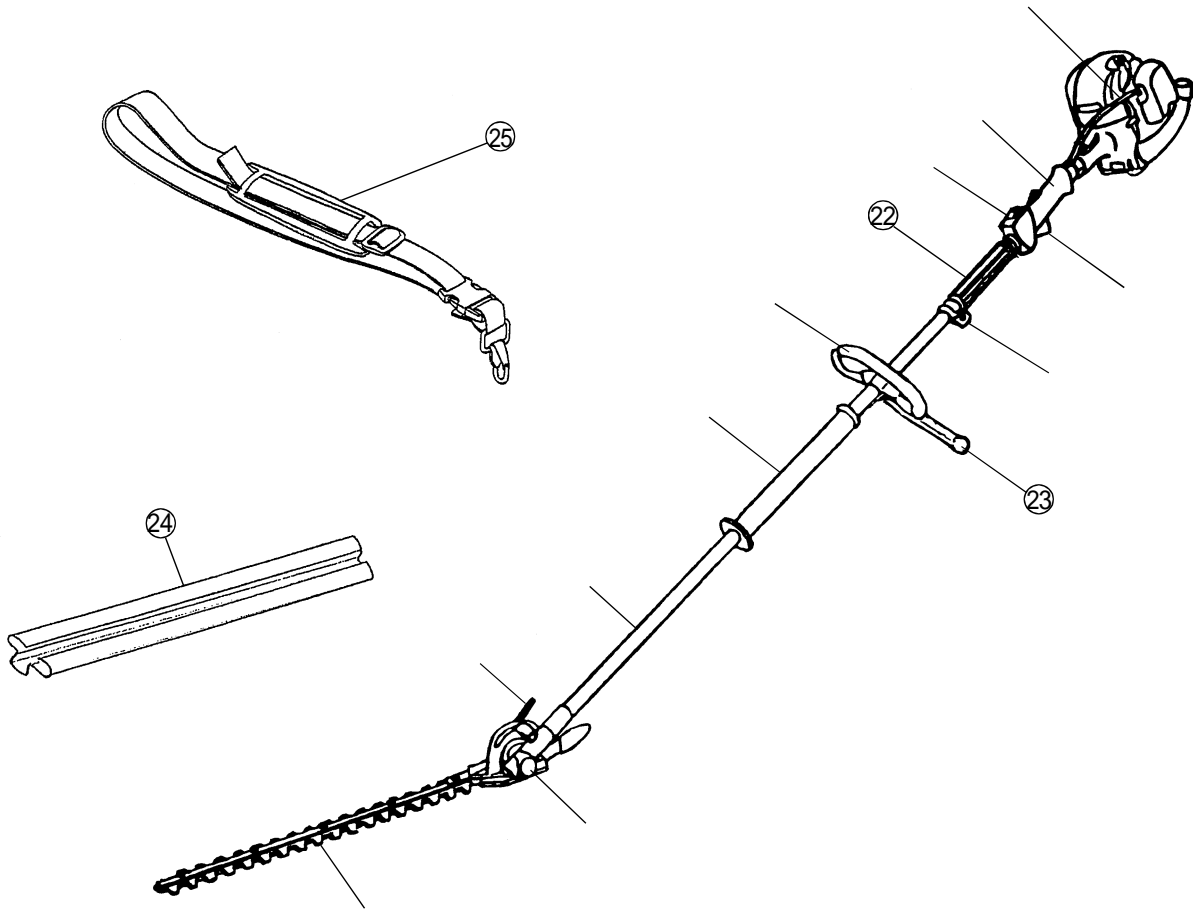
**Makita International Europe Ltd.**

Michigan Drive, Tongwell, Milton Keynes, Bucks MK15 8JD, Inglaterra

## ESPECIFICACIONES : PTR2500

Modelo		PTR2500		
		Mango en bucle y empuñadura de mango		
Dimensiones (L x An. x Al.)	mm	2400 x 350 x 220		
Peso	kg	6,1		
Volumen (tanque de combustible)	L	0,65		
Longitud de corte	mm	535		
Cilindrada del motor	cm <sup>3</sup>	24,5		
Máximas prestaciones del motor		0,75 kW a 7000 min <sup>-1</sup>		
Velocidad del motor Al máx. recomendado, velocidad de husillo	min <sup>-1</sup>	10,000		
Consumo de combustible	kg/h	0,54		
Consumo de combustible especificado	g/kWh	735		
Velocidad de marcha mínima	min <sup>-1</sup>	3000		
Velocidad de engrane del embrague	min <sup>-1</sup>	4100		
Carburador (Carburador de diafragma)	tipo	WALBRO WYJ		
Sistema de encendido	tipo	Encendido de estado sólido		
Bujía de encendido	tipo	NGK BMR7A		
Separación de electrodos	mm	0,6-0,7		
Vibración según ISO7916	Mango derecho (empuñadura trasera)	Marcha mínima	m/s <sup>2</sup>	3.63
		Aceleración	m/s <sup>2</sup>	8.01
	Mango izquierdo (mango)	Marcha mínima	m/s <sup>2</sup>	7.24
		Aceleración	m/s <sup>2</sup>	12.00
	Mango izquierdo (empuñadura delantera)	Marcha mínima	m/s <sup>2</sup>	4.74
		Aceleración	m/s <sup>2</sup>	8.44
Vibración según ISO11680	Mango derecho (empuñadura trasera)	Marcha mínima	m/s <sup>2</sup>	4.41
		Aceleración	m/s <sup>2</sup>	7.81
	Mango izquierdo (mango)	Marcha mínima	m/s <sup>2</sup>	11.76
		Aceleración	m/s <sup>2</sup>	13.65
	Mango izquierdo (empuñadura delantera)	Marcha mínima	m/s <sup>2</sup>	4.36
		Aceleración	m/s <sup>2</sup>	8.23
Promedio de nivel de presión del sonido	ISO7917	dB (A)	90.0	
Promedio del nivel de potencia del sonido	ISO10884	dB (A)	102.8	
Relación de mezcla (Combustible: aceite de 2 carreras de MAKITA)				50:1
Relación de engranajes				1/4

# NOMBRE DE LAS PIEZAS



Nombre de las piezas	
1	Tanque de combustible
2	Arranque por tiro de bobina
3	Filtro de aire
4	Interruptor I-O (ON/OFF)
5	Bujía de encendido
6	Silenciador
7	Caja de embrague
8	Empuñadura trasera
9	Colgador
10	Mango
11	Palanca de la mariposa de gases
12	Cable de la mariposa de gases
13	Eje
14	Cuchillas del cortador
15	Empuñadura delantera
16	Perilla del motor de arranque
17	Bomba cebadora
18	Caja de engranajes
19	Tubo de escape
20	Palanca de bloqueo
21	Tapa del tanque de combustible
22	Collar de distancia
23	Barrera
24	Cubierta de la cuchilla
25	Correa al hombro



## CONEXIÓN DE LA UNIDAD DE CORTASETOS EN EL ARTICULADO DE ALTURA

### Importante:

Asegúrese de que el motor está apagado y desmonte la tapa de bujía de encendido antes de armar el Cortasetos Articulado de Altura.

¡Utilice guantes protectores!

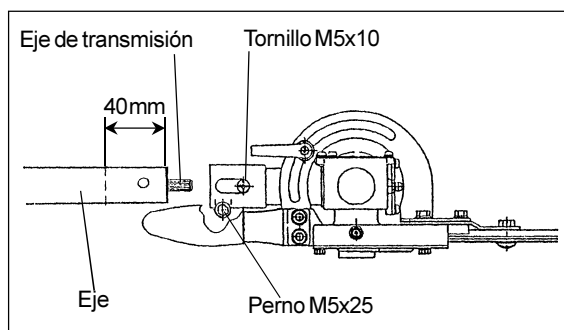
Asegure las cuchillas con la cubierta de cuchillas incluida cuando se hace la conexión de la unidad de cortasetos en el articulado de altura.

- Afloje el tornillo M5x10 y el perno M5x25.
- Inserte el eje en la caja de engranajes

NOTA: Compruebe que el eje está completamente insertado en la caja de engranajes (aprox. 40mm/1,57 pulg.).

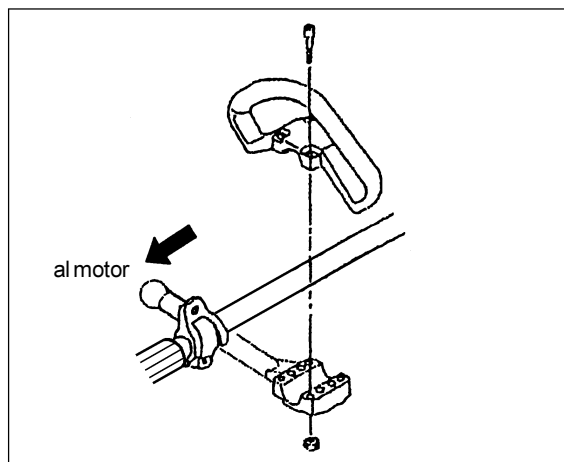
Si tiene problemas para insertar el eje, gire manualmente el eje de transmisión un poco y pruebe nuevamente.

- Confirme que el eje está bien insertado y apriete el tornillo M5x10 y el perno M5x25.



## INSTALACIÓN DEL MANGO

- Instale la barrera protectora junto con el mango para que la barrera sobresale a la izquierda vista desde la posición de funcionamiento.
- Compruebe que no se ha instalado el mango demasiado cerca de la empuñadura de control (utilice el collar de distancia incluido para ello).



## UTILIZACIÓN DE LA CORREA AL HOMBRO

### Cómo ponerse la correa al hombro

- Póngase la correa al hombro sobre el hombro izquierdo.
- Sujete la unidad del Cortasetos Articulado de Altura del lado derecho del cuerpo.
- Instale la correa en el encaje instalado en el Cortasetos Articulado de Altura y ajuste la longitud de la correa de tal forma que pueda trabajar más cómodamente.

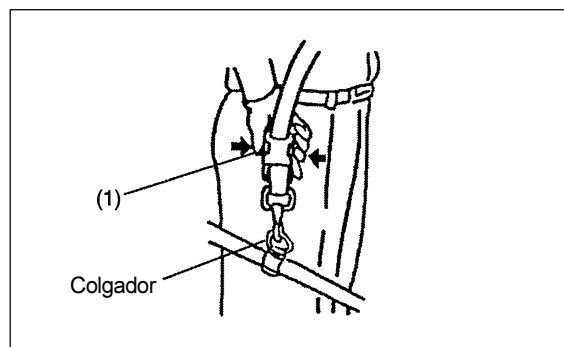


### Separación

- En caso de emergencia, empuje las muescas (1) en ambos lados, y usted puede separar la máquina de usted.

Tomar precauciones extremas para mantener el control de la máquina. No permitir que la máquina se desvía hacia usted o alguien situado cerca.

ADVERTENCIA: Un fallo en mantener el completo control de la máquina puede causar heridas corporales muy graves o la muerte.



# COMBUSTIBLE/CARGA DE COMBUSTIBLE

## Mezcla de gasolina/aceite

- El motor del Cortasetos Articulado de Altura es un motor de dos carreras de gran eficiencia que funciona con una mezcla de gasolina y aceite de motor de dos carreras. El motor fue diseñado para funcionar con gasolina sin plomo normal con un valor de octanaje mínimo de 91 RON. Si no puede adquirir esta gasolina utilice como sustituto la gasolina con el valor de octanaje más alto que pueda adquirir. Esto no dañará el motor pero sus prestaciones pueden ser malas. Algo similar puede ocurrir si utiliza gasolina con plomo. Para obtener prestaciones óptimas del motor y para la protección de la salud humana y del medio ambiente, utilice combustible sin plomo, en lo posible.
- Debe agregar aceite de motor de dos carreras (grado de calidad: TSC-3) en la gasolina para lubricar el motor. El motor fue diseñado para utilizar aceite de 2 carreras MAKITA que no daña el medio ambiente, con una relación de mezcla de 50:1. Este aceite fue desarrollado especialmente para darle una larga vida de servicio del motor y prestaciones fiable del motor con un mínimo de emisiones de gases de escape. Es esencial que respete estrictamente la mezcla de 50:1 (Gasolina/aceite de 2 carreras de MAKITA), ya que no puede garantizarse un funcionamiento fiable del Cortasetos Articulado de Altura de otra forma.
- Correcta mezcla de gasolina/aceite:  
Mezcle 50 partes de gasolina con 1 parte de aceite de motor de 2 carreras de MAKITA (vea también el cuadro de la derecha).

**NOTA:** Cuando prepare la mezcla de gasolina/aceite, mezcle primero toda la cantidad de aceite necesaria con la mitad de la cantidad de gasolina necesaria. Agregue el resto de la gasolina y agite bien la mezcla antes de llenar el tanque.  
No agregue más aceite del especificado. Si agrega demasiado aceite esto producirá residuos adicionales en la combustión, contaminando el medio ambiente y tapando el silenciador y el canal de escape del cilindro.  
Además, aumenta el consumo de combustible en general y es probable que las prestaciones del motor sean malas.

## Manipulación de los productos derivados del petróleo

Manipule siempre el combustible con gran cuidado y atención. Como el combustible contiene sustancias similares a los disolventes, la carga de combustible debe hacerse en exteriores o en un lugar con buena circulación de aire. No respire los vapores de gasolina y evite el contacto de la gasolina o aceite con la piel. La piel humana se secará si entra en contacto con petróleo durante un largo período de tiempo. Esto puede provocar distintas enfermedades de la piel y reacciones alérgicas.

La gasolina o aceite que entra en contacto con los ojos puede provocar una gran irritación de los ojos. Si la gasolina o el aceite entran en contacto con sus ojos, lave inmediatamente sus ojos con una gran cantidad de agua limpia. No dude en acudir al médico si continua la irritación.

## Reabastecimiento

### ¡El motor debe apagarse!

- Limpiar completamente la zona alrededor del tapón (2) para evitar que entre suciedad en el tanque (1).
- Aflojar el tapón (2) y llenar el tanque (1) con combustible según sea el caso.
- Apretar fuertemente el tapón (2).
- Limpiar el tapón (2) y al tanque después del llenado.

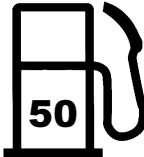
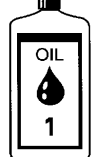
## Almacenamiento de combustible

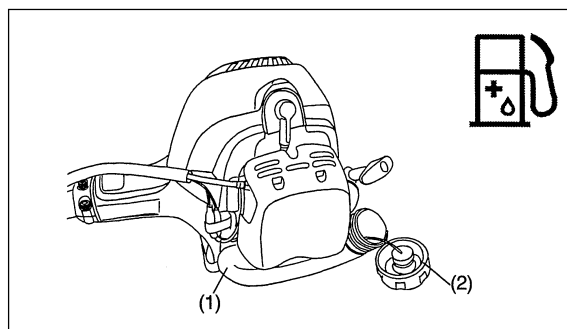
- El combustible se deteriora si lo guarda durante un largo período de tiempo.
- Compre solo la cantidad de combustible que va a utilizar en un período de 4 semanas.
- Utilice solo los recipientes aprobados para guardar derivados del petróleo.



Siga las instrucciones de seguridad de la página 85.

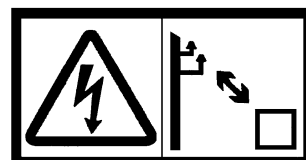
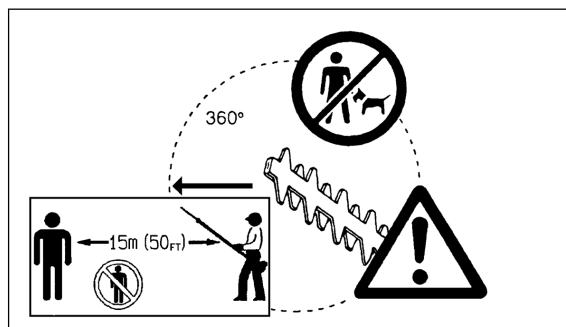


Gasolina	Aceite
	
1000mL (1L) 5000mL (5L) 10000mL (10L)	20mL 100mL 200mL



## PRECAUCIONES ANTES DE ARRANCAR EL MOTOR

- En todo momento, deje una zona de seguridad de 15 metros de diámetro alrededor del área de trabajo. Asegúrese de que todas las personas (en especial los niños) y/o animales están fuera de esta zona.
- Antes de utilizar el Cortasetos Articulado de Altura, compruebe que la máquina está en condiciones de funcionamiento seguro. Compruebe que las cuchillas de cortador no están dañadas y compruebe que la palanca de la mariposa de gases se mueve fácilmente. Confirme que las cuchillas de cortador no se están moviendo cuando el motor está en la marcha mínima. Si la máquina no está funcionando normalmente, llame a su tienda para que le ajusten la máquina. Compruebe que los mangos están limpios y secos y compruebe que el interruptor I-O está funcionando correctamente. Arranque el motor sólo de acuerdo con las instrucciones de este manual. No utilice ningún otro método para arrancar el Cortasetos Articulado de Altura (consulte la "Arranque del motor").
- Arranque el motor del Cortasetos Articulado de Altura solo después de leer y entender completamente las instrucciones. Nunca trate de arrancar un Cortasetos Articulado de Altura que no esté totalmente armado. En caso contrario, puede herirse gravemente.
- Antes de arrancar el motor, compruebe siempre que las cuchillas de cortador no están obstruidas por piedras, ramas y otros objetos sólidos.
- Compruebe el área de trabajo por alambres, cables, vidrio u otros objetos extraños que puedan atraparse en las cuchillas del cortador.
- Descarga eléctrica: Tenga cuidado con las líneas eléctricas cercanas. Inspeccione toda el área de trabajo por líneas eléctricas y cercas electrificadas antes de empezar el trabajo.



## ARRANQUE DEL MOTOR

Si se acaba de cargar el combustible en la máquina, aléjese por lo menos 3 metros del lugar donde se cargó el Cortasetos Articulado de Altura. Apoye el Cortasetos Articulado de Altura en un lugar bastante limpio sobre un suelo plano y compruebe que las cuchillas de cortador no están en contacto con el suelo ni otros objetos sólido.

**Arranque en frío** (motor frío / motor parado durante más de 5 minutos / después de cargar combustible)

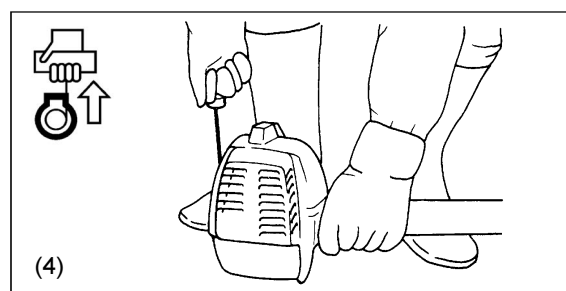
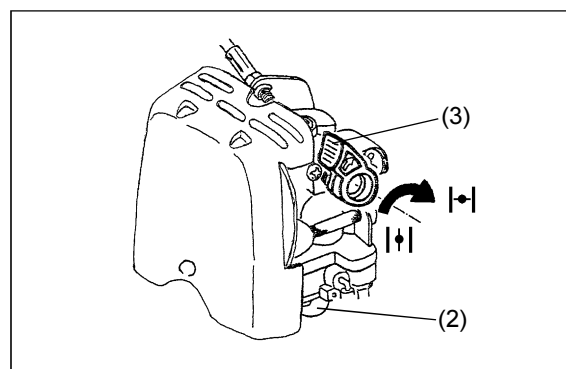
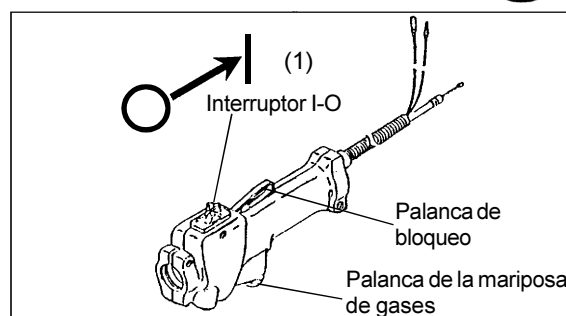
1. Mueva el interruptor I-O a la posición "I" (1).
2. Presione repetidamente la bomba de cebado (2) (7 a 10 veces) hasta que el combustible entre en el bulbo de la bomba.
3. Mueva la palanca de estrangulación (3) a la posición "↕" (vertical).
4. Con una mano, apoye el motor firmemente contra el suelo (4).
5. Tire del cordón del motor de arranque durante aprox. 10~15 cm hasta que pueda sentir cierta resistencia.
6. Tire firmemente del cordón (repetidamente si fuera necesario) hasta que arranque el motor.
7. Vuelva la palanca de estrangulación a la posición "↕" después de arrancar el motor. Tenga en cuenta que la palanca de estrangulación vuelve automáticamente al hacer funcionar la palanca de la mariposa de gases. Apriete la palanca de la mariposa de gases junto con la palanca de bloqueo.
8. Caliente el motor a una velocidad moderada durante aprox. 1~2 minutos.
9. Después de calentar el motor, el motor funciona uniformemente y las transiciones de baja velocidad a alta velocidad son suaves y sin cortes.

**Nota:** Si tira repetidamente del cordón del motor de arranque con la estrangulación en la posición "↕" entra una cantidad excesiva de combustible lo que hace que el motor tenga complicaciones para arrancar. En el caso de excesiva entrada de combustible, desmonte la bujía de encendido y tire lentamente del cordón del motor de arranque para eliminar el exceso de combustible. Seque el electrodo de la bujía de encendido y vuelva a instalar la bujía de encendido.

**Arranque en caliente** (vuelva a arrancar inmediatamente después de parar el motor)

No haga funcionar la estrangulación (3) cuando vuelva a arrancar el motor inmediatamente después de parar. Si el motor no arranca, siga los pasos 1~8 descritos anteriormente (arranque en frío).

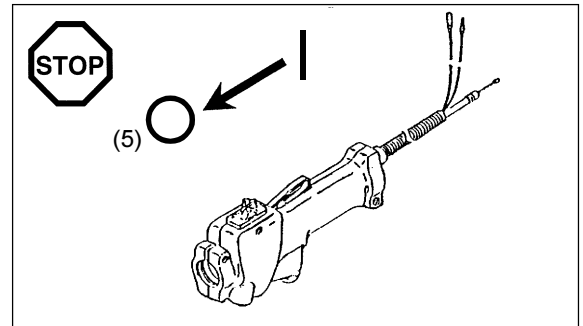
**Nota:** No suelte inmediatamente la perilla del motor de arranque después de tirar del cordón del motor de arranque, guíe la perilla para que vuelva lentamente a su posición original.



## PARADA DEL MOTOR



1. Suelte la palanca de la mariposa de gases.
2. Presione el interruptor I-O a la posición "O" para parar el motor.



## VERIFICACIÓN Y AJUSTE DE LA VELOCIDAD DE MARCHA MÍNIMA

Las cuchillas de cortador del Cortasetos Articulado de Altura no deben moverse cuando se suelta la palanca de la mariposa de gases.

- La velocidad de marcha mínima correcta es de  $3000 \text{ min}^{-1}$ . Si fuera necesario, ajuste la velocidad de marcha mínima con el tornillo de ajuste de marcha mínima (reduzca las revoluciones hasta que las cuchillas de cortador dejen de moverse).

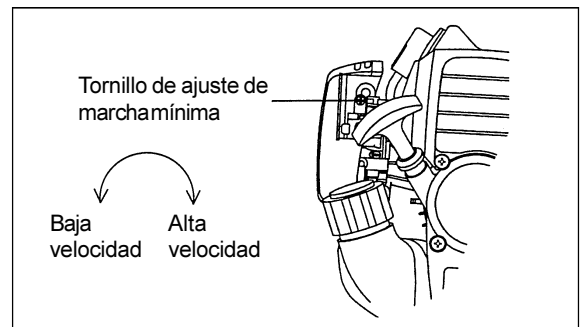
- Gire el tornillo a la derecha: Aumenta la velocidad de marcha mínima

- Gire el tornillo a la izquierda: Disminuye la velocidad de marcha mínima.

Permita que haya una diferencia adecuada entre la velocidad de marcha mínima y la velocidad a la que se engrana el embrague (reduzca más la velocidad de marcha mínima, si fuera necesario). Si las cuchillas de cortador se siguen moviendo a pesar de que los ajustes de velocidad de marcha mínima son los precisos, consulte con su taller de servicio autorizado más cercano.

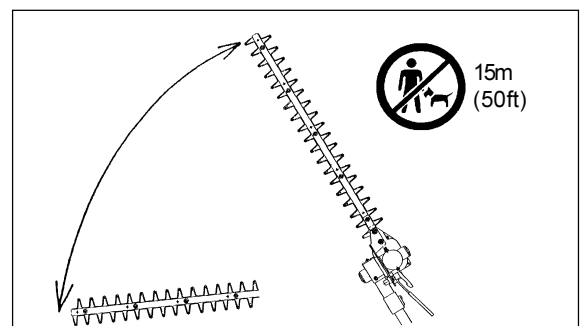
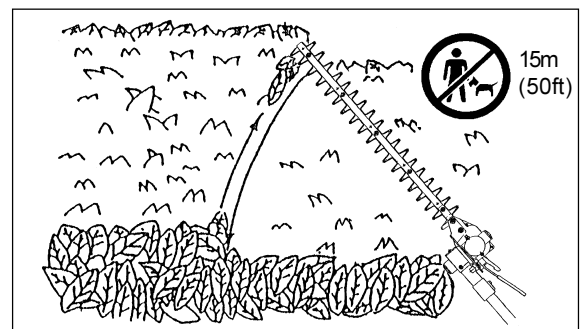
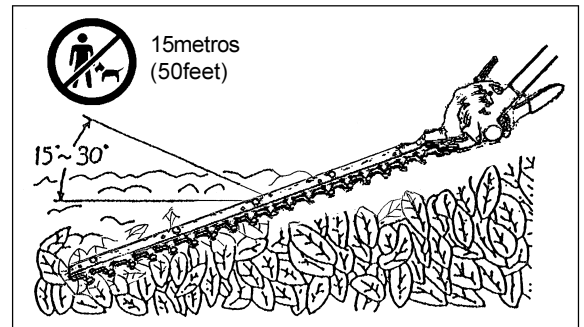
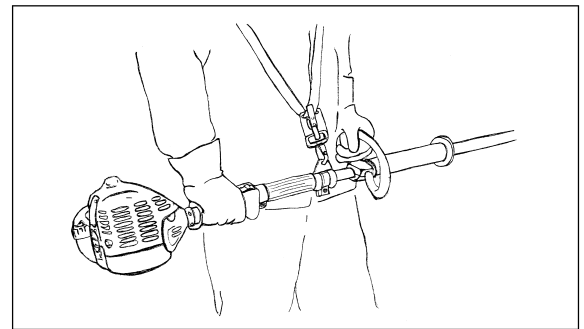
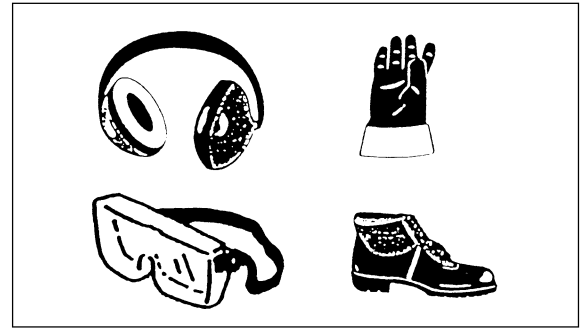
- El embrague debe engranar a la velocidad mínima de  $4000 \text{ min}^{-1}$ .

- Compruebe que el interruptor STOP, la palanca de bloqueo y la palanca de la mariposa de gases están funcionando correctamente.

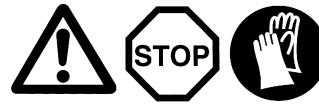


# FUNCIONAMIENTO DEL CORTASETOS ARTICULADO DE ALTURA

- Cuando trabaje con el Cortasetos Articulado de Altura, empuñe firmemente los mangos con ambas manos.
- No toque la parte de la cuchilla de cortador del Cortasetos Articulado de Altura durante el funcionamiento o cuando el motor está en marcha.
- Tenga gran cuidado de no respirar los gases del escape cuando trabaje con el Cortasetos Articulado de Altura. No haga funcionar el Cortasetos Articulado de Altura en una habitación cerrada o en un lugar donde no haya suficiente circulación de aire (riesgo de asfixiarse o envenenamiento con gas). Recuerde que el monóxido de carbono es un gas que no tiene olor y no puede detectarse por la nariz.
- Utilice siempre ropa protectora antes de empezar a trabajar con el Cortasetos Articulado de Altura.
- Para inmediatamente el motor si el silenciador no está funcionando correctamente.
- Sólo utilice el Cortasetos Articulado de Altura en lugares con buena luz y visibilidad.
- No haga funcionar el Cortasetos Articulado de Altura en la oscuridad o niebla. Tenga cuidado en lugares resbalosos y mojados (hielo y nieve) durante la estación fría (peligro de patinar), y párese firmemente con los pies bien apoyados.
- No utilice el Cortasetos Articulado de Altura mientras está parado sobre una superficie inestable o pendiente pronunciada.
- No utilice el Cortasetos Articulado de Altura mientras esté subido a una escalera.
- No suba a un árbol para utilizar el Cortasetos Articulado de Altura subido a un árbol.
- Inspeccione continuamente el área de trabajo por alambres, cables, vidrio u otros objetos extraños que puedan atraparse en las cuchillas del cortador.
- Confirme que las cuchillas de cortador están en rápido movimiento antes de empezar a cortar.
- Sujete siempre el Cortasetos Articulado de Altura con ambas manos y empuñe firmemente cuando trabaje con la máquina.
- Para asegurar un control óptimo del Cortasetos Articulado de Altura, envuelva sus manos alrededor de los mangos (utilice su pulgar para hacer contrapresión) y empuñe firmemente sus mangos.
- Tenga en cuenta que las cuchillas de cortador continuarán moviéndose hasta dos segundos después de que se ha soltado la palanca de la mariposa de gases.
- No corte con el Cortasetos Articulado de Altura cuando el motor funciona a baja velocidad.
- La velocidad de las cuchillas del cortador no pueden ajustarse correctamente con la palanca de la mariposa de gases cuando el motor está funcionando a baja velocidad.
- Para cortar la superficie superior del seto, alinee primero la herramienta de corte a un ángulo de 15°~30° en el sentido del corte y mantenga el Cortasetos Articulado de Altura en posición horizontal. Empiece a cortar el seto con un movimiento en péndulo, como si dibujara partes de un círculo con el eje del Cortasetos.
- Para cortar los lados de un seto, alinee las cuchillas en paralelo con la superficie a cortar y empiece el corte con movimientos semicirculares hacia arriba (abajo-arriba).
- Preste atención cuando corte un seto que crece al lado de un cerco. Tenga especial cuidado de no permitir que las cuchillas de cortador entren en contacto con materias sólidas como cercos de metal, piedra, hormigón o madera dura ya que pueden dañar las cuchillas y/o provocar una rotura total de la máquina.
- No utilice el Cortasetos Articulado de Altura durante mucho tiempo. Como regla general descanse 10-20 minutos por cada 50 minutos de funcionamiento.
- Si las cuchillas de cortador entran en contacto con piedras u otros objetos sólidos, pare inmediatamente el motor e inspeccione las cuchillas por daños. Cambie las cuchillas si están dañadas.
- Si el Cortasetos articulado de Altura empieza a tener problemas cuando lo está utilizando (ruidos extraños, vibración, etc.), pare inmediatamente el motor. No utilice nuevamente la máquina hasta descubrir y solucionar el problema.
- Haga siempre lo más posible para mantener la contaminación y emisiones de ruidos lo más bajas posibles cuando haga funcionar el Cortasetos Articulado de Altura. Preste especial atención a un ajuste correcto del carburador y mezcla precisa de gasolina/aceite.
- Si se atascan ramas gruesas en las cuchillas de cortador, pare inmediatamente el motor, apoye el equipo sobre el suelo y elimine la obstrucción. Inspeccione las cuchillas por daños antes de continuar utilizando la máquina.



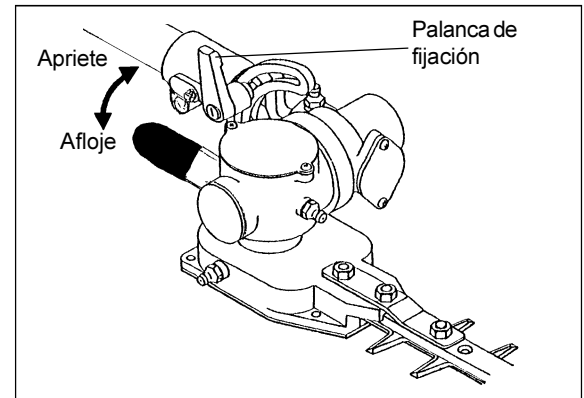
## Ajuste del ángulo de corte



1. Apague el motor del Cortasetos Articulado de Altura y apoye la máquina sobre el suelo.
2. Para ajustar el ángulo de la unidad de cortador, afloje la palanca de fijación en la parte superior de la unidad de cortador, girándola hacia la izquierda.
3. Ajuste el ángulo de la unidad de cortador y gire la palanca de fijación hacia la izquierda para asegurar.
  - La unidad de cortador puede ajustarse a cualquier posición entre 45° y 90°.

### Nota:

- No ajuste la unidad de cortador cuando el Cortasetos Articulado de Altura está en posición vertical.
- Mueva el interruptor I-O a la posición "O" y apoye el Cortasetos Articulado de Altura para que quede de lado en el piso y ajuste el ángulo de corte.
- Asegure siempre las cuchillas con la cubierta de cuchillas incluida, antes de ajustar el ángulo de corte.



## MANTENIMIENTO



- Antes de hacer un trabajo de mantenimiento en el Cortasetos Articulado de Altura (limpieza de cuchilla, etc.), pare siempre el motor y espere hasta que se haya enfriado. Como precaución de seguridad adicional, desmonte también la tapa de bujía de encendido.
- No trate de enderezar o soldar una cuchilla de corte doblada o rota. Cambie siempre las cuchillas dañadas.
- Pare el motor a intervalos regulares para inspeccionar las cuchillas de cortador por posible daño (realice una prueba de resonancia golpeando para detectar grietas finas difíciles de ver a simple vista). Asegúrese siempre que los dientes de las cuchillas están afiladas.
- Limpie el Cortasetos Articulado de Altura a intervalos regulares. Durante la limpieza, compruebe también que todos los tornillos, tuercas y pernos están bien apretados.
- Para reducir el peligro de incendio, no haga el servicio ni guarde el Cortasetos Articulado de Altura cerca del fuego.
- Utilice guantes de protección fuertes cuando trabaje con las cuchillas de cortador.
- Llame a su tienda para el cambio de las cuchillas de cortador.

### Afilado de la cuchilla

Si las cuchillas pierden filo y no cortan bien, haga afilar las cuchillas en un agente de servicio autorizado

## Ajustes de cuchilla



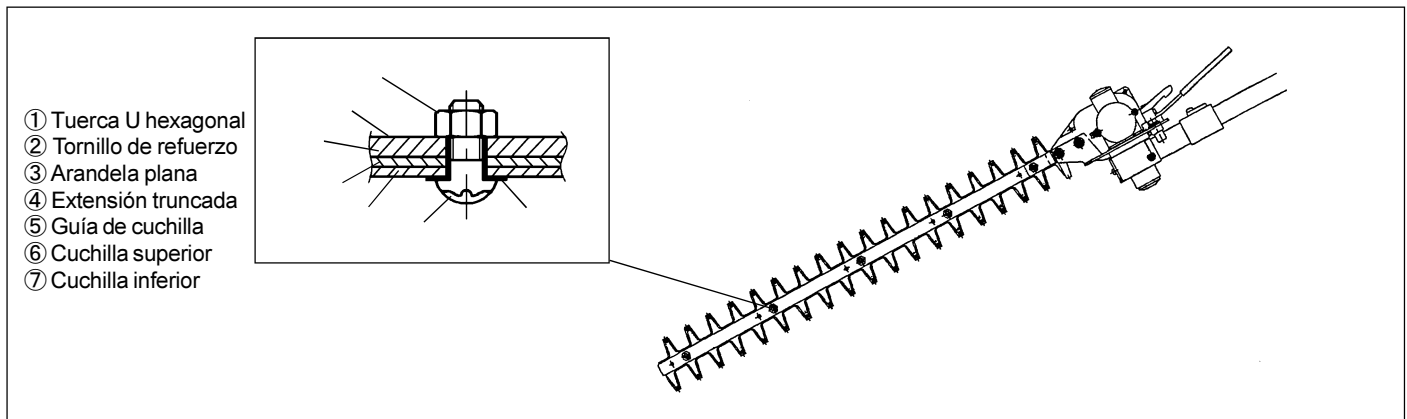
Un uso prolongado del Cortasetos Articulado de Altura desgastará gradualmente las cuchillas. Vuelva a ajustar las cuchillas si nota que empieza a cortar mal. Para el ajuste de las cuchillas, siga las instrucciones a continuación.

1. Afloje la tuerca .
2. Apriete ligeramente el tornillo hasta que sienta cierta resistencia. Gire el tornillo en el otro sentido en un cuarto o medio giro.
3. Mantenga el tornillo en su lugar con un destornillador y apriete la tuerca .
4. Después del ajuste lubrique las cuchillas con una fina capa de aceite liviano.
5. Arranque el motor y tire varias veces de la palanca de la mariposa de gases para poner las cuchillas en movimiento. Continúe durante aproximadamente un minuto.
6. Pare el motor y espere hasta que las cuchillas se paren. Toque cuidadosamente las cuchillas con su mano desnuda. El ajuste es el correcto si las cuchillas están calientes pero no demasiado como para no poder tocarlas. Si las cuchillas están demasiado calientes como para tocarlas, afloje el tornillo otro cuarto a medio giro y repita los pasos 5~6 para confirmar que el ajuste es el correcto.

NOTA: ¡Pare siempre el motor y desmonte la tapa de bujía incandescente antes de ajustar las cuchillas!

Las cuchillas tienen ranuras alrededor de los tornillos de refuerzo ②.

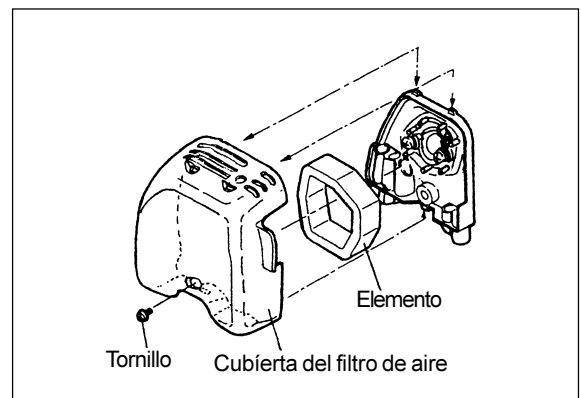
Mantenga estas ranuras limpias para que pueda inspeccionarlas por posibles daños.



## Limpieza del filtro de aire – Cada 8 horas (diario)

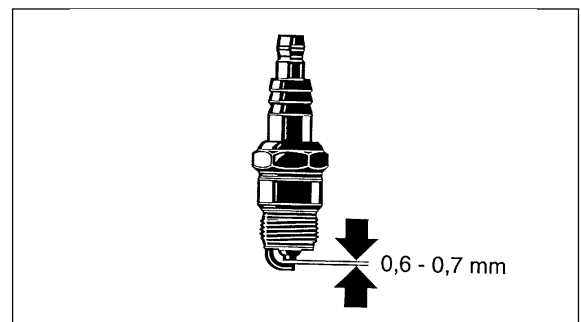
- Desmonte la cubierta del filtro de aire.
- Desmonte el elemento de esponja. Lave el elemento de esponja en agua tibia y deje secar completamente.
- Vuelva a colocar el elemento de esponja limpiado y s y vuelva a instalar la cubierta del filtro de aire.

Nota: Limpie el filtro de aire diariamente. Un filtro de aire tapado puede hacer difícil o imposible arrancar y/o acelerar el motor.



## Inspección de bujías de encendido – Cada 8 horas (diario)

- Utilice sólo la llave universal incluida para desmontar y cambiar la bujía de encendido.
- La luz de bujía de encendido debe estar en 0,6~0,7 mm. Ajuste la luz de bujía de encendido si está demasiado ancha o angosta. Limpie o cambie la bujías de encendido si está sucia y/o tapada con residuos de carbón. Cambie siempre por el mismo tipo de bujía de encendido.

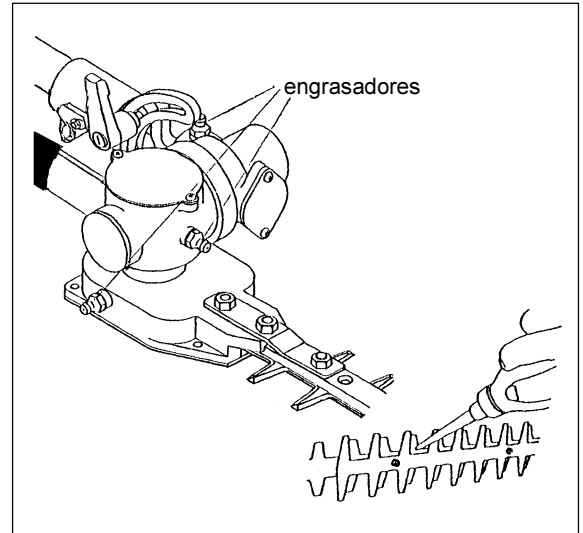




### Adición de grasa y lubricante

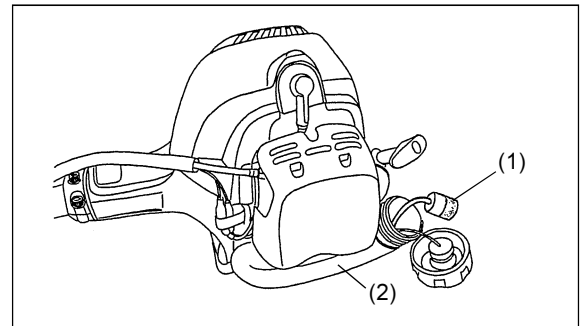
- La caja de engranajes del Cortasetos Articulado de Altura debe engrasarse cada 20 horas de funcionamiento. Agregue unos 10cc de lubricante (Shell Alvania No. 3 o equivalente) en la caja de engranajes a través de los tubos de grasa. (Un poco de grasa saldrá por la cabeza de la caja de engranajes (en la base de la cuchilla) cuando se mueve por primera vez el Cortasetos Articulado de Altura después de engrasar. Utilice esto como un indicador aproximado de la cantidad de grasa a suministrar.)

**Nota:** Respete los intervalos de engrase y la cantidad de grasa a suministrar. Las piezas mecánicas del Cortasetos Articulado de Altura pueden dañarse si no se suministra grasa a los intervalos especificados o si no se agrega suficiente cantidad de grasa.



### Filtro del tanque de combustible

- El interior del tanque de combustible está equipado con un filtro (1) que limpia el combustible antes de que entre en el carburador.  
- Inspeccione visualmente el filtro a intervalos regulares. Para ello, utilice un pedazo de alambre con forma de gancho y saque el filtro del tanque (2). Cambie el filtro si está duro, tapado o muy contaminado.  
- Si el suministro de combustible es insuficiente porque el filtro de combustible está deteriorado, puede tener malas prestaciones del motor. Para asegurar que entra la cantidad necesaria de combustible en el carburador, cambia el filtro de combustible cuando tenga dudas sobre su estado.



### Limpieza de la salida del silenciador

- Inspeccione el estado de la salida del silenciador (3) a intervalos regulares.  
- Utilice una herramienta apropiada para eliminar los residuos de carbón excesivo acumulados alrededor de la salida del silenciador. Tenga especial cuidado para evitar que los residuos de carbón eliminado entren en las piezas del motor.

### Limpieza del supresor de chispas

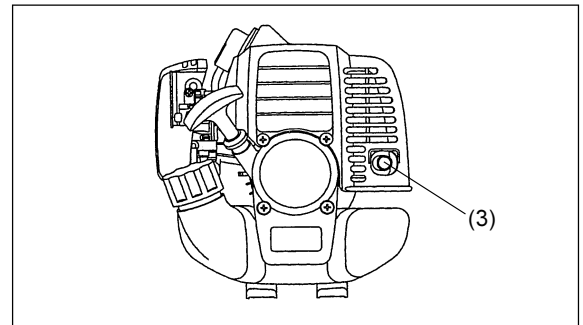
- El supresor de chispas debe limpiarse cada 50 horas de funcionamiento.  
- Solicite la limpieza del supresor de chispas en su tienda o por un taller de servicio autorizado.

Para los demás trabajos de mantenimiento no mencionados en este manual de instrucciones, consulte con su tienda o taller de servicio autorizado.

### Inspección y mantenimiento diarios

Para garantizar una larga vida de uso de su Cortasetos Articulado de Altura, realice diariamente las siguientes inspecciones y mantenimientos.

- Inspeccione siempre por piezas flojas o faltantes antes de hacer funcionar. Preste especial atención a la unidad de corte y compruebe que los tornillos de fijación del cortador están bien apretados.
- Inspeccione por obstrucción de los pasos de aire de enfriamiento y aletas de enfriamiento del cilindro antes de empezar el funcionamiento. Limpie si fuera necesario.
- Cada día, después de utilizar el Cortasetos Articulado de Altura, realice lo siguiente:
  - Limpie el exterior del Cortasetos Articulado de Altura; inspeccione por daños y piezas flojas.
  - Limpie el filtro de aire. Limpie el filtro varias veces al día si está trabajando en lugares muy sucios.
  - Inspeccione por daños en las cuchillas de cortador. Asegúrese de que las cuchillas están montadas firmemente.

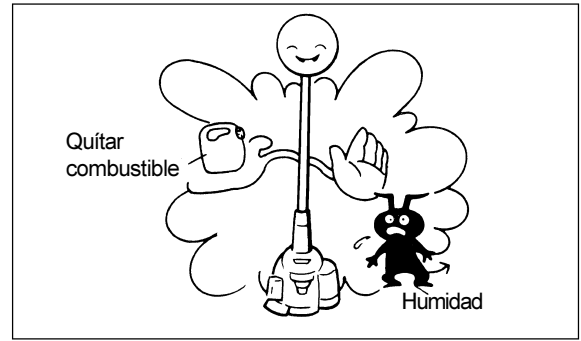




## ALMACENAMIENTO

Si se va a guardar el Cortasetos Articulado de Altura durante un largo período de tiempo, realice lo siguiente:

- Drene todo el combustible del tanque y carburador.
- Desmonte la bujía de encendido y agregue unas gotas de aceite de dos carreras por el orificio de la bujía de encendido. Saque suavemente el cordón del motor de arranque para asegurarse de que el aceite se distribuya uniformemente dentro del motor. Vuelva a instalar y apriete la bujía de encendido.
- Limpie todo el Cortasetos Articulado de Altura y aplique una fina capa de aceite en las superficies metálicas de la máquina. Asegure y proteja las cuchillas con la cubierta de cuchilla suministrada. Guarde el Cortasetos Articulado de Altura en un lugar libre de humedad.



## PROGRAMA DE MANTENIMIENTO

General	Motor Tornillos, tuercas, pernos	Inspeccione el estado general y seguridad Inspeccione visualmente por daños Confirme que los tornillos, tuercas y pernos están firmemente instalados
Después de la carga de combustible	Palanca de la mariposa de gases Palanca de bloqueo interruptor STOP	Inspeccione el funcionamiento Inspeccione el funcionamiento Inspeccione el funcionamiento
Diario	Filtro de aire Conducto de aire de enfriamiento Herramienta de corte Marcha mínima	Limpie Limpie Inspeccione por daños, confirme el filo Confirme que las cuchillas de cortador no se mueven
Cada 20 horas	Caja de engranajes	Agregue grasa
Semanal	Bujía de encendido Silenciador	Inspeccione, cambia si fuera necesario Inspeccione, limpie la salida si fuera necesario
Trimestralmente	Filtro de combustible Tanque de combustible	Limpie o cambia si fuera necesario Limpie el interior
Antes de guardar durante mucho tiempo	Tanque de combustible Carburador	Drene el combustible Mantenga el motor en marcha hasta que se acabe el combustible

## LOCALIZACIÓN DE AVERÍAS

Problema	Sistema	Observaciones	Causa
El motor no arranca o tiene dificultad en arrancar	Encendido	Hay chispa de encendido	Problema con el suministro de combustible o sistema de compresión, defecto mecánico
		No hay chispa de encendido	Interruptor STOP en la posición OFF, cable roto, bujía de encendido o conector defectuoso, módulo de encendido defectuoso
	Suministro de combustible	Hay combustible	Mal ajuste de la estrangulación, carburador defectuoso, filtro de combustible contaminado, manguera de combustible rota o doblada
	Compresión	Dentro del motor	Empaquetadura de cilindro defectuosa, sellos de cigüeñal dañados, pistón y/o aros de cilindro defectuosos
Fuera del motor		Bujía de encendido floja	
Problemas en el arranque en caliente	Mecánico	No funciona el motor de arranque	Muelle del motor de arranque defectuoso, defecto mecánico en el interior del motor
		Hay combustible Funciona el encendido	Carburador contaminado (haga limpiar el carburador)
El motor arranca pero se produce de inmediato un calado	Suministro de combustible	Hay combustible	Mal ajuste de marcha mínima, carburador o filtro de combustible contaminado
			Salida de ventilación del tanque de combustible defectuoso, manguera de combustible rota, interruptor STOP defectuoso (contacto flojo, etc.)
Malas prestaciones	Varios sistemas pueden verse afectados al mismo tiempo	Marcha mínima del motor	Filtro de aire contaminado, carburador contaminado, silenciador tapado, conducto de escape de cilindro tapado

## Makita Corporation

3-11-8, Sumiyoshi-cho,  
Anjo, Aichi 446-8502, Japan