



HumidiBreeze

MISTING SYSTEM

MT1-19-33 Operating Instructions



3092402

Model No. MT1-19-33

© 2008 Soleus Air International

Thank you for choosing a Soleus Air HumidiBreeze Misting System. This owner's manual will provide you with valuable information necessary for the proper care and maintenance of your new product. Please take a few moments to thoroughly read the instructions and familiarize yourself with all the operational aspects of your new Soleus Air HumidiBreeze.

For your own records, please attach a copy of your sales receipt to this manual. Also, write the store name/location, date purchased, and serial number below:

Store Name: _____

Location: _____

Date Purchased: _____

Serial Number (located on back of unit): _____

IMPORTANT INSTRUCTIONS

Before installing and using your HumidiBreeze, please read this owner's manual carefully. Store this manual in a safe place for future reference.

- 1) Always place the unit on a level surface.
- 2) Never use or store gasoline or other flammable vapor or liquid near this unit unless instructed by this manual.
- 3) Maintain at least 10 inches (25 cm) clearance space around this unit. Do not block or cover air inlet or outlet grilles.
- 4) The unit must be connected to a correctly grounded power supply.
- 5) Do not start or stop the unit by inserting or pulling out the power plug.
- 6) Do not use an adapter plug or extension cord.
- 7) Do not use the unit in the immediate surroundings of a bath, a shower or a swimming pool.
- 8) Do not insert anything into the air outlet. Do not obstruct air inlet or outlet grills unless instructed by this manual.
- 9) Do not let children play near this unit.
- 10) Always inspect the cord for signs of damage before use. If the power cord is damaged, it must be replaced by the manufacturer or a qualified service technician.
- 11) When cleaning the unit, always turn the unit off and unplug the power cord.

PACKAGE CONTENTS

HumidiBreeze Misting System
Operating Instructions

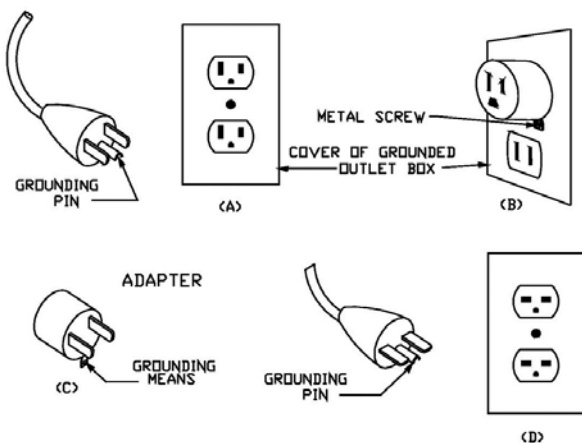
SPECIFICATIONS

- Noise level is measured at a distance of 3.28 ft away from the front of the unit, when the unit is in cooling mode.
- Power consumption is measured when the fan runs at the highest speed setting.
- These specifications are for reference only. For actual data, please refer to the rating label on the back of the unit.
- If the environment temperature is higher than the max operating temperature or lower than the minimum operating temperature, the unit may not work properly.

DISCLAIMER

ALL INFORMATION AND THE TECHNICAL SPECIFICATIONS PRESENTED IN THIS USER'S MANUAL ARE THE PRESENTATION OF THE MANUFACTURER. SOLEUS INTERNATIONAL HAS NOT CONDUCTED INDEPENDENT TEST TO THE INFORMATION AND THE SPECIFICATIONS PRESENTED HEREWITHIN.

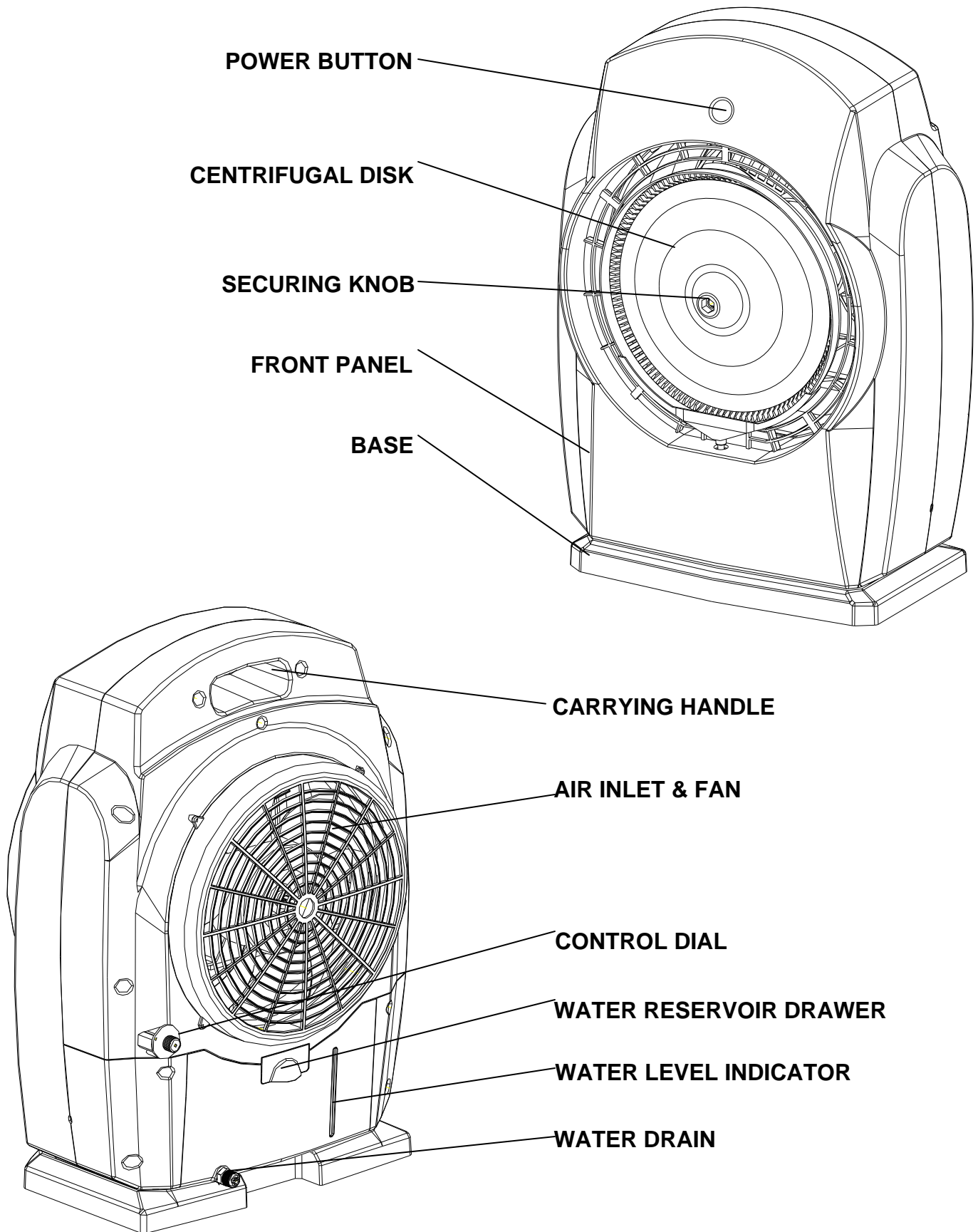
MODEL	MT1-19-33
Humidifying Capacity	19 Gallons per Day
Water Tank Size	1 Gallon
Power Consumption	70 Watts
Air Flow Volume	353 CFM / 600m ³ /h
Power Source	120 V / 60 HZ
Sound Pressure Level	<55 db(A)
Weight	20.8 lbs
Dimensions (WxDxH)	16.5"x10"x23.5"



WARNING: This fan is for use on 120 volts. The cord has a plug as shown in A. An adapter as shown in C is available for connecting three-blade grounding-type plugs to two-slot receptacles. The grounding lug extending from the adapter must be connected to a permanent ground such as a properly grounded outlet box. The adapter should not be used if a three-slot grounded receptacle is available.

DO NOT DEFEAT THE SAFETY PURPOSE OF THE GROUNDED PLUG.

PRODUCT DIAGRAM



OPERATING INSTRUCTIONS

- 1) **FILL THE WATER RESERVOIR** - Pull the water reservoir drawer out from the back of the unit and fill the water reservoir by pouring water into the drawer. Once you are finished filling the reservoir, close the drawer in the back of the unit. SEE FIGURE A BELOW.
- 2) **POWER ON THE HumidiBreeze** - Plug the power cord into a three pronged grounded electrical outlet. Once the unit is plugged in, press the power button to turn on the HumidiBreeze. When power is “ON” the power button will light up blue in color. To turn off the HumidiBreeze, press the power button again. When the HumidiBreeze is “OFF” the blue light on the button will shut off.
- 3) **ADJUST THE HumidiBreeze POWER** - Turn the control dial counter-clockwise to increase the power (increases misting power) Turn the control dial clockwise to decrease the power (decreases misting power). SEE FIGURE B BELOW.
- 4) When the water bucket is empty, turn the unit off and refill the water bucket. **DO NOT fill the water bucket while the unit is on.**

FIGURE A

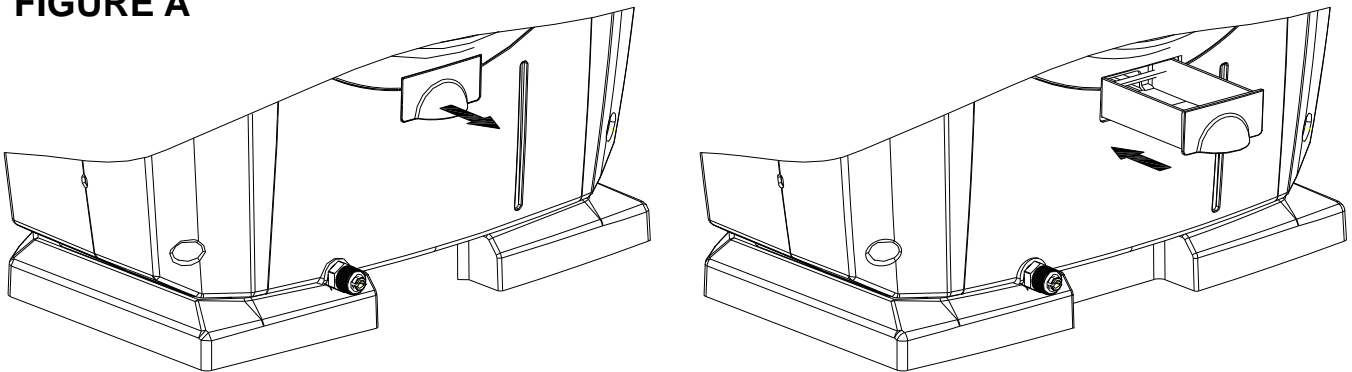
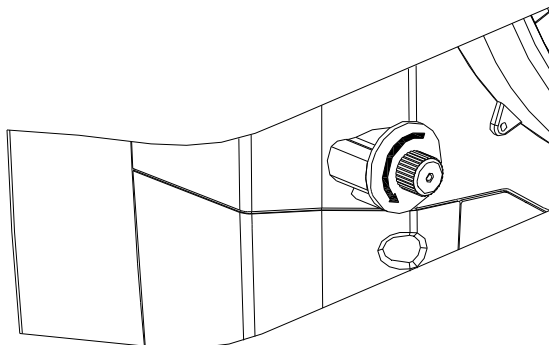
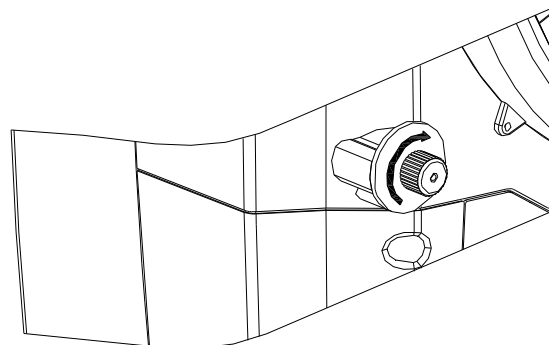


FIGURE B



INCREASE HumidiBreeze POWER



DECREASE HumidiBreeze POWER

TROUBLESHOOTING

Problem	Possible Reason	Solution
Not Working	No Power	Plug in power cord to grounded three pronged outlet
	Bad Electrical Outlet	Repair or change outlets
Little or No Water Mist	Cooling control valve is set too low	Turn the control dial counter-clockwise to increase power.
	Water Tank is Empty	Fill Water Reservoir
Low Misting Power	Cooling control valve is set too low	Turn the control dial counter-clockwise to increase power.
	Low voltage coming from electrical outlet	Repair or change outlets
Not Enough Air-flow	Low voltage coming from electrical outlet	Repair or change outlets

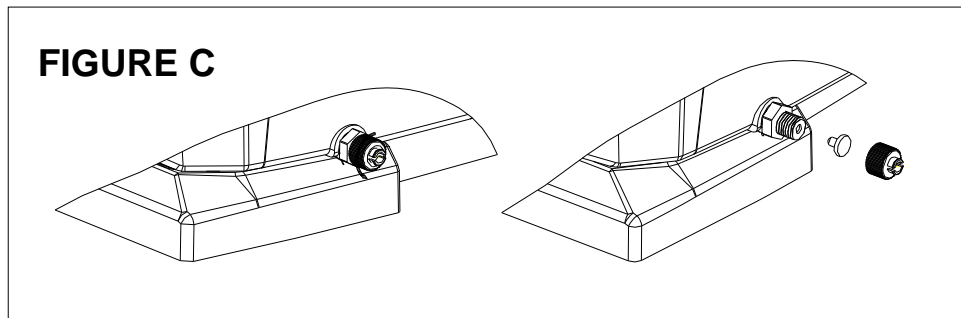
MAINTENANCE

Note: Make sure power is off and the power cord is not plugged into an electrical outlet prior to performing any maintenance on the unit.

1. Unplug the unit and let it cool completely.
2. To keep the product clean, the outer shell may be cleaned with a soft, damp cloth. You may use a mild detergent if necessary. After cleaning, dry the unit with a soft cloth. **CAUTION: DO NOT** let liquid enter the product.
3. **DO NOT** use alcohol, gasoline, abrasive powders, furniture polish, or rough brushes to clean the product. This may cause damage or deterioration to the surface of the product.
4. **DO NOT** immerse the product in water.
5. If the unit is wet, wait until the unit is completely dry before use.

STORAGE

1. Drain all of the water from the water reservoir. SEE FIGURE C.
2. Store the product in a cool, dry location when not in use. Repack the unit in the original packaging to prevent dust and dirt buildup.



WARRANTY

One Year Limited Warranty

Soleus International Inc. warrants the accompanying Soleus Air HumidiBreeze to be free of defects in material and workmanship for the applications specified in its operation instruction for a period of ONE (1) year from the date of original retail purchase in the United States.

If the unit exhibits a defect in normal use, Soleus International Inc. will, at its option, either repair or replace it, free of charge within a reasonable time after the unit is returned during the warranty period.

As a condition to any warranty service obligation, the consumer must present this Warranty Certificate along with a copy of the original purchase invoice.

THIS WARRANTY DOES NOT COVER:

- Damage, accidental or otherwise, to the unit while in the possession of a consumer not caused by a defect in material or workmanship.
- Damage caused by consumer misuse, tampering, or failure to follow the care and special handling provisions in the instructions.
- Damage to the finish of the case, or other appearance parts caused by wear.
- Damage caused by repairs or alterations of the unit by anyone other than those authorized by Soleus International Inc.
- Freight and Insurance cost for the warranty service.

ALL WARRANTIES, INCLUDING ANY IMPLIED WARRANTY OF MERCHANTABILITY ARE LIMITED TO ONE-YEAR DURATION OF THIS EXPRESS LIMITED WARRANTY. **SOLEUS INTERNATIONAL INC.** DISCLAIMS ANY LIABILITY FOR CONSEQUENTIAL OR INCIDENTAL DAMAGES AND IN NO EVENT SHALL SOLEUS INTERNATIONAL INC'S LIABILITY EXCEED THE RETAIL VALUE OF THE UNIT FOR BREACH OF ANY WRITTEN OR IMPLIED WARRANTY WITH RESPECT TO THIS UNIT.

This warranty covers only new products purchased from our authorized dealers or retailers. It does not cover used, salvaged, or refurbished products.

As some states do not allow the limitation or exclusion of incidental or consequential damages, or do not allow limitation on implied warranties, the above limitations and exclusions may not apply to you. This warranty gives you specific legal rights, and you may also have other rights that vary from state to state.

For Technical Support and Warranty Service

Please Call (888) 876-5387

Or Write To:

Soleus International Inc.

20035 E. Walnut Dr. N.

City of Industry, CA 91789 USA

www.soleusair.com