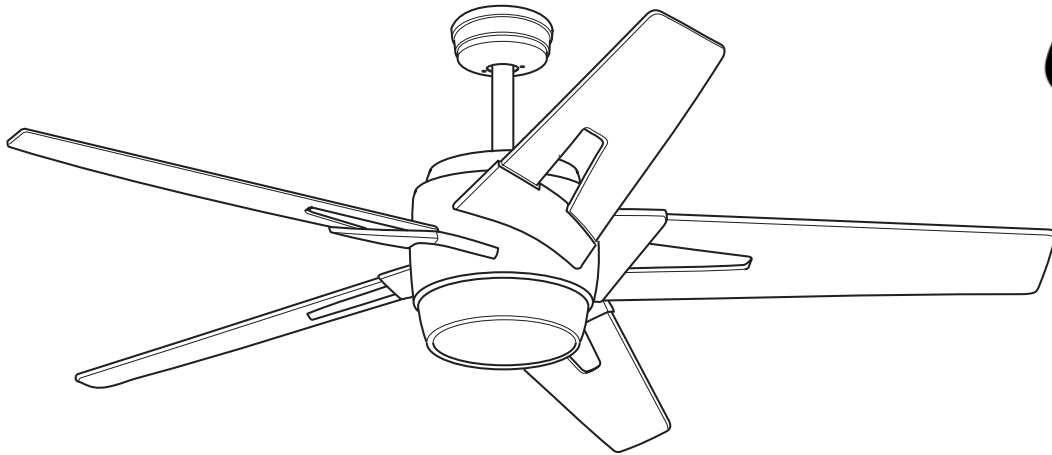


**READ AND SAVE THESE INSTRUCTIONS**



**EMERSON™**

**LUXE ECO™**

**54" Ceiling Fan Owner's Manual**

**Model Number**

**CF550BS00**

**CF550ORB00**

Net Weight: 20.9 Lbs.

DATE CODE: \_\_\_\_\_

The date code of this fan may be found on the box, stamped in ink on a white label.  
You should record this data above and keep it in a safe place for future use.

## **WARNING**

**WARNING:** To avoid fire, shock, and serious personal injury, follow these instructions.

### **Safety Instructions**

1. Read your owner's manual carefully and keep it for future reference.
2. Before servicing or cleaning unit, switch power off at service panel and lock service panel disconnecting means to prevent power from being switched on accidentally. When the service disconnecting means cannot be locked, securely fasten a warning device, such as a tag, to the service panel.
3. Be careful of the fan and blades when cleaning, painting, or working near the fan. Always turn off the power to the ceiling fan before servicing.
4. Do not put anything into the fan blades while they are turning.
5. Do not operate reversing switch until fan blades have come to a complete stop.

### **Additional Safety Instructions for Installation**

1. To avoid possible shock, be sure electricity is turned off at the fuse box before wiring, and do not operate fan without blades.
2. All wiring must be in accordance with the National Electrical Codes "ANSI/NFPA 70-2011" and Local Electrical Codes. Use the National Electrical Code if Local Codes do not exist. The ceiling fan must be grounded as a precaution against possible electrical shock. Electrical installation should be made or approved by a licensed electrician.
3. The outlet box and joist must be securely mounted and capable of reliably supporting at least 50 pounds. Use only U.L. outlet boxes listed as "Acceptable for Fan Support of 22.7 kg. (50 lbs.) or less", and use the mounting screws provided with the outlet box. Most outlet boxes commonly used for support of light fixtures are not acceptable for fan support and may need to be replaced. Consult a qualified electrician if in doubt.
4. The downrod furnished with the fan provides the minimum recommended floor to fan blade clearance for an 8 foot ceiling.
5. The fan must be mounted with the fan blades at least 7 feet from the floor to prevent accidental contact with the fan blades.
6. Follow the recommended instructions for the proper method of wiring your ceiling fan. If you do not know enough about electrical wiring, have your fan installed by a licensed electrician.

**NOTE:** All setscrews must be checked and re-tightened where necessary before installation.

**NOTE:** This fan is suitable for use with solid-state speed controls.

**WARNING:** To reduce the risk of fire or electric shock, this fan should only be used with fan speed control, Model No. FR-7861LM-06 manufactured by Rhine Electric Co., Ltd.

**WARNING:** To avoid fire, shock or injury, do not use an Emerson or any other brand of control not specifically approved for this fan.

**WARNING:** This product is designed to use only those parts supplied with this product and/or any accessories designated specifically for use with this product by Emerson Electric Co. Substitution of parts or accessories not designated for use with this product by Emerson Electric Co. could result in personal injury or property damage.

**WARNING:** To reduce the risk of personal injury, do not bend the blade flange when installing the blade flanges, balancing the blades or cleaning the fan. Do not insert foreign objects in between rotating fan blades.

**WARNING:** To reduce the risk of electrical shock, this fan must be installed with an isolating wall control/switch.

## **This Manual Is Designed to Make it as Easy as Possible for You to Assemble, Install, Operate and Maintain Your Ceiling Fan**

### **Tools Needed for Assembly**

One Phillips head screwdriver      One stepladder  
One 1/4" blade screwdriver      One wire stripper

### Installed Wire Length

Up to 50 ft.  
50-100 ft.

### Wire Size A.W.G.

14  
12

### **MATERIALS**

Wiring outlet box and box connectors must be of type required by the local code. The minimum wire would be a 3-conductor (2-wire with ground) of the following size:

### **WARNING**

Before assembly your ceiling fan, refer to section on proper method of wiring your fan (page 7). If you feel you do not have enough wiring knowledge or experience, have your fan installed by a licensed electrician.

# Unpacking Instructions

## ▲ WARNING

Do not install or use fan if any part is damaged or missing. Call Toll-Free:

**1-800-654-3545**

## ▲ WARNING

This product is designed to use only those parts supplied with this product and/or any accessories designated specifically for use with this product by Emerson Electric Co. Substitution of parts or accessories not designated for use with this product by Emerson Electric Co. could result in personal injury or property damage.

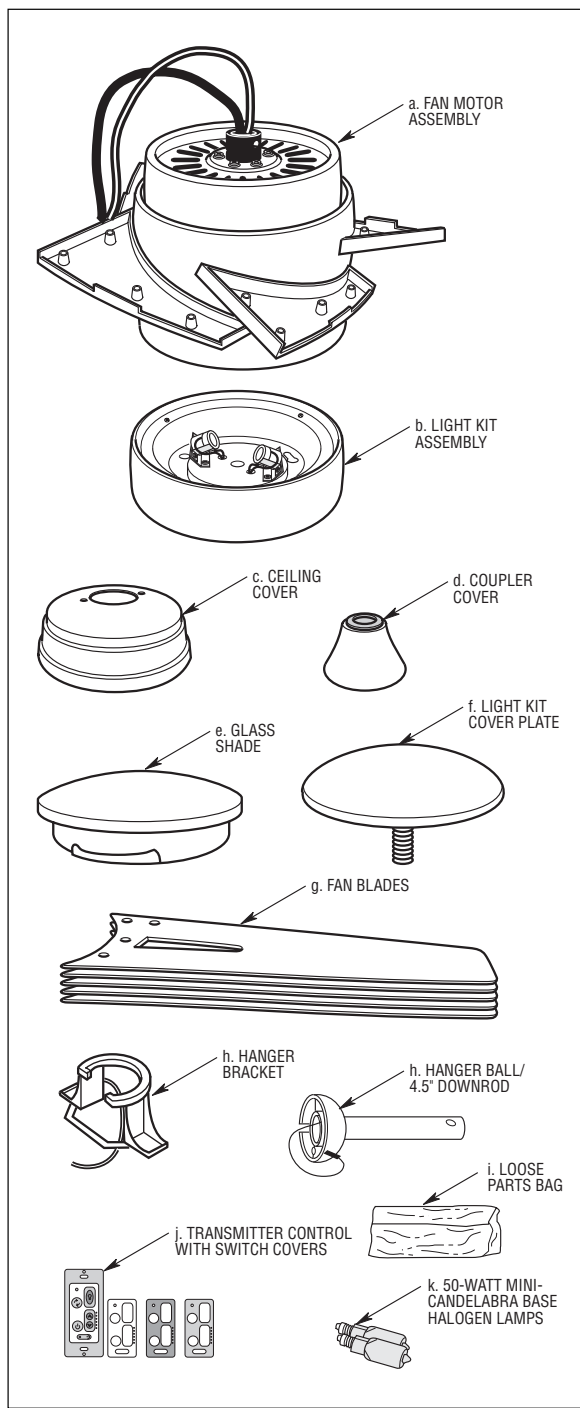
1. Check to see that you have received the following parts:

**NOTE: If you are uncertain of part description, refer to exploded view illustration.**

- a. Fan motor assembly
- b. Light kit assembly
- c. One ceiling cover
- d. One coupler cover
- e. One glass shade
- f. One light kit cover plate
- g. Five fan blades
- h. One hanger bracket
- i. One hanger ball/4.5" downrod assembly
- j. One transmitter control with switch covers
- k. Two 50-watt (maximum) mini-candelabra base halogen lamps
- l. One loose parts bag containing:
  1. One clevis pin
  2. One hairpin clip
  3. Five 12 ga. wire connectors
  4. Two #8-32 x 1-1/4" threaded studs
  5. Two #8 external tooth lockwashers
  6. Two #8-32 knurled knobs
  7. Twenty-one #10-24 x .375" flat head blade screws
  8. Twenty-one #10 x .50" flat washers
  9. One balancing kit

**NOTE: Place the parts from the loose parts bags in a small container to keep them from being lost. If any parts are missing, contact your local retailer or catalog outlet for replacement before proceeding.**

2. Remove the lower styrofoam pad from the carton and place on a stable work surface.
3. Remove the fan motor assembly from the protective plastic bag and position the fan motor assembly in the lower styrofoam packing so that the top for the motor is facing you. Place all carton contents on a soft protective surface.



## Electrical Requirements

Your new ceiling fan will require a grounded electrical supply line of 120 volts AC, 60 Hz, 15 amp circuit.

The outlet box must be securely anchored and capable of withstanding a load of at least 50 pounds.

### **⚠ WARNING**

To reduce the risk of fire, electrical shock, or personal injury, mount fan to outlet box marked "Acceptable for Fan Support of 22.7 kg. (50 lbs.) or less", and use screws supplied with outlet box. Most outlet boxes commonly used for support of light fixtures are not acceptable for fan support and may need to be replaced. Consult a qualified electrician if in doubt.

If your fan is to replace an existing ceiling light fixture, turn electricity off at the main fuse box at this time and remove the existing light fixture.

### **⚠ WARNING**

Turning off wall switch is not sufficient. To avoid possible electrical shock, be sure electricity is turned off at the main fuse box before wiring. All wiring must be in accordance with National and Local codes and the ceiling fan must be properly grounded as a precaution against possible electrical shock.

### **⚠ WARNING**

To avoid fire or shock, follow all wiring instructions carefully. Any electrical work not described in these instructions should be done or approved by a licensed electrician.

## How to Put Your Ceiling Fan Together

1. Remove the hanger ball by loosening the setscrew in the hanger ball until the ball falls freely down the downrod (Figure 3). Remove the pin from the downrod, then remove the hanger ball. Retain the pin and hanger ball for reinstallation in Step 5.
2. Loosen setscrews in motor coupling. Separate, untwist and unkink the two 80" motor leads. Route the motor lead wires through the downrod. Insert the downrod into the motor coupling. Align the clevis pin holes in the downrod with the holes in the motor coupling. Install the clevis pin and secure with the hairpin clip (Figure 1). The clevis pin must go through the holes in the motor coupling and the holes in the downrod. Be sure to push the straight leg of the hairpin clip through the hole near the end of the clevis pin until the curved portion of the hairpin clip snaps around the clevis pin. The hairpin clip must be properly installed to prevent the clevis pin from working loose. Pull on the downrod to make sure the clevis pin is properly installed.
3. While pulling up on the downrod, securely tighten the two setscrews in the motor coupling (Figure 2).

**NOTE:** The setscrews must be properly installed as described above, or fan wobble could result.

### **⚠ WARNING**

It is critical that the clevis pin in the motor coupling is properly installed and the setscrews securely tightened. Failure to verify that the pin and setscrews are properly installed could result in the fan falling.

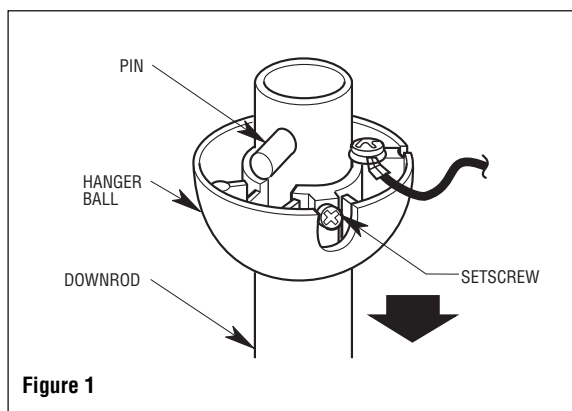


Figure 1

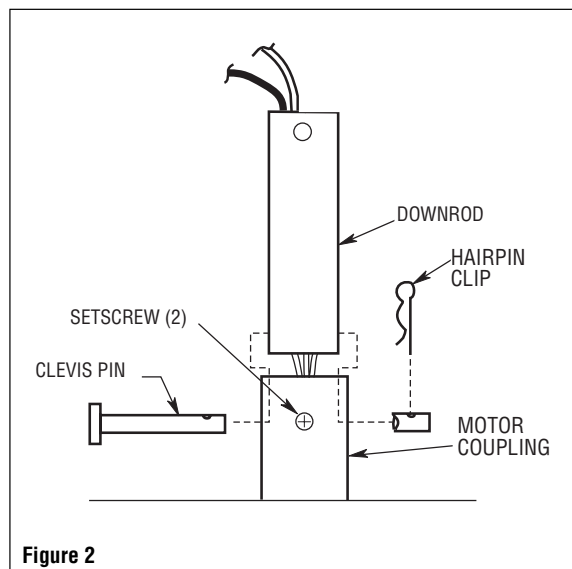


Figure 2

## How to Put Your Ceiling Fan Together (continued)

4. Make sure the rubber grommet is properly installed onto the coupling cover then slide the coupler cover onto the downrod until it rests on top of the motor housing. Place the ceiling cover over the downrod. Be sure both the ceiling cover and the coupler cover are oriented correctly (Figure 3).
5. Route the motor leads through the hanger ball. Reinstall the hanger ball (Figure 4) on the downrod. Reinstall the pin through the two holes in the downrod. Slide the ball upwards and align the ball so the pin is captured in the groove in the top of the hanger ball. Pull the hanger ball up tight against the pin and securely tighten the setscrew in the hanger ball. A loose setscrew could create fan wobble.

### **⚠ WARNING**

It is critical that the pin in the hanger ball is properly installed and the setscrew securely tightened. Failure to verify that the pin and setscrew are properly installed could result in the fan falling.

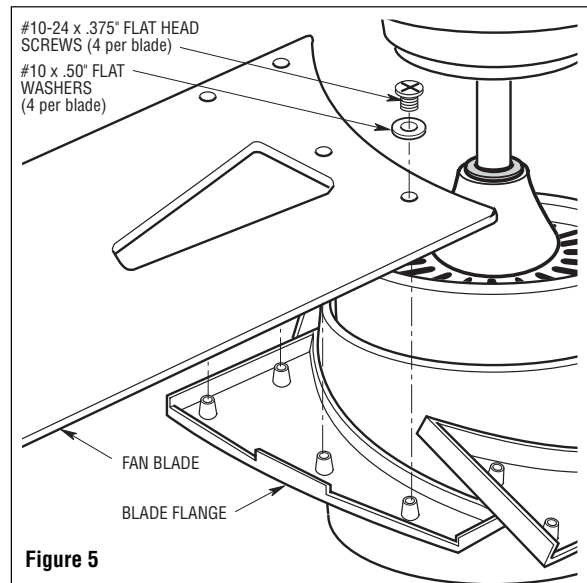
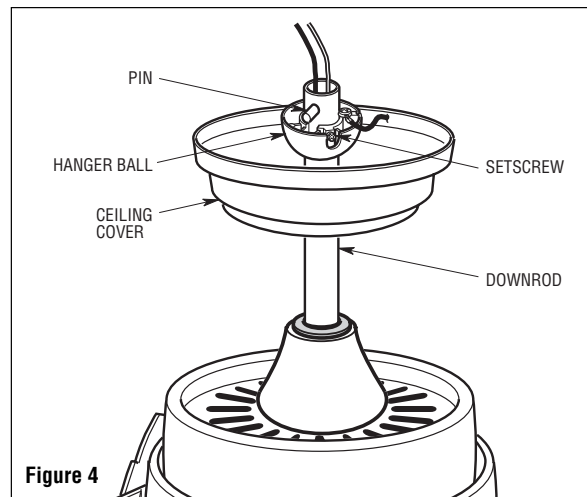
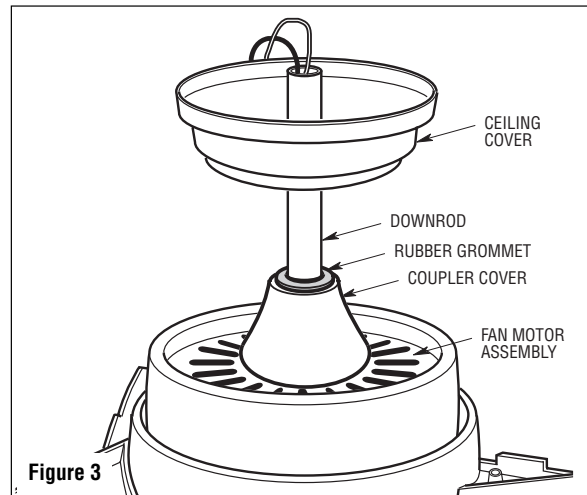
6. The fan comes with black and white leads that are 80" long. Before installing fan, measure up approximately 6 to 9-inches above top of hanger ball/downrod assembly. Cut off excess leads and strip back insulation 1/2-inch from end of leads.
7. Position one fan blade on the flange assembly of the motor assembly and secure by installing four #10-24 x .375" flat head screws and four #10 x .50" flat washers (supplied) (Figure 5).
8. Install the remaining four fan blades using the same procedure.

### **⚠ WARNING**

To reduce the risk of personal injury, do not bend the blade flange when installing the blade flanges, balancing the blades or cleaning the fan. Do not insert foreign objects in between rotating fan blades.

**NOTE: Take care not to scratch fan housing when installing blades.**

9. You have now completed the initial assembly of your new ceiling fan. You can now proceed with hanging and wiring your fan.



# How to Hang Your Ceiling Fan

## **⚠ WARNING**

Turning off wall switch is not sufficient. To avoid possible electrical shock, be sure electricity is turned off at the main fuse box before wiring. All wiring must be in accordance with National and Local codes and the ceiling fan must be properly grounded as a precaution against possible electrical shock.

## **⚠ WARNING**

The fan must be hung with at least 7' of clearance from floor to blades (Figure 6).

## **⚠ WARNING**

The outlet box and joist must be securely mounted and capable of supporting at least 50 lbs. Use only a U.L. outlet box listed as "Acceptable for Fan Support of 22.7 kg. (50 lbs.) or less".

## **⚠ WARNING**

To reduce the risk of fire, electrical shock, or personal injury, mount fan to outlet box marked "Acceptable for Fan Support of 22.7 kg. (50 lbs.) or less", and use screws supplied with outlet box. Most outlet boxes commonly used for support of light fixtures are not acceptable for fan support and may need to be replaced. Consult a qualified electrician if in doubt.

1. With the branch circuit electricity turned off at the breaker panel or fuse box, securely attach the hanger bracket to the outlet box using the two screws supplied with the outlet box. (Figure 7.)
2. Carefully lift the fan and seat the hanger ball/downrod assembly onto the hanger bracket that was just attached to the outlet box (Figure 7). Rotate the entire fan assembly until the ball groove engages the anti-rotation tab. Be sure the groove in the ball engaged the anti-rotation tab on the hanger bracket (Figure 8).

## **⚠ WARNING**

Hanger bracket must seat firmly against outlet box. If the outlet box is recessed, remove wall board until bracket contacts box. If bracket and/or outlet box are not securely attached, the fan could wobble or fall.

## **⚠ WARNING**

Failure to seat tab in groove could cause damage to electrical wires and possible shock or fire hazard.

## **⚠ WARNING**

To avoid possible fire or shock, do not pinch wires between the hanger ball/downrod assembly and hanger bracket.

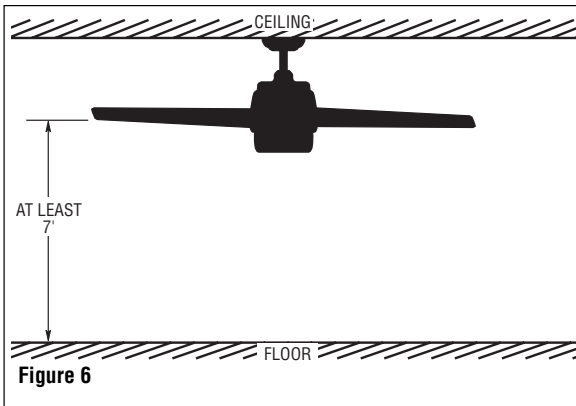


Figure 6

NOTE: CEILING COVER OMITTED FOR CLARITY.

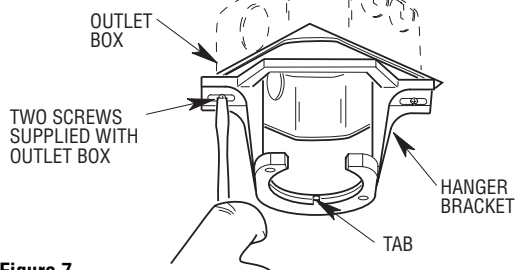


Figure 7

NOTE: CEILING COVER, SUPPLY WIRES AND FAN WIRES OMITTED FOR CLARITY.

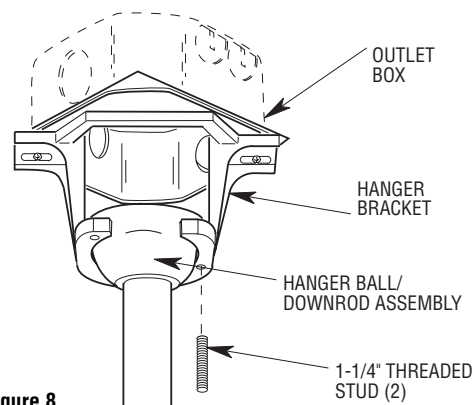


Figure 8

# How to Wire Your Ceiling Fan

If you feel that you do not have enough electrical wiring knowledge or experience, have your fan installed by a licensed electrician.

## WARNING

Turning off wall switch is not sufficient. To avoid possible electrical shock, be sure electricity is turned off at the main fuse box before wiring. All wiring must be in accordance with National and Local codes and the ceiling fan must be properly grounded as a precaution against possible electrical shock.

1. Connect the green grounding lead from the hanger ball and the green grounding lead from the hanger bracket to the grounding conductor of supply (this may be a bare wire or wire with green colored insulation). Securely connect wires with wire connectors supplied.
2. Securely connect the fan motor white wire to the supply white (neutral) wire using wire connector supplied (Figure 9). Securely connect the fan motor black wire to the supply black (hot) wire using wire connector supplied (Figure 9). After connections have been made, turn leads upward and carefully push leads into the outlet box, with the white and green leads on one side of the outlet box and the black leads on the other side of the outlet box.

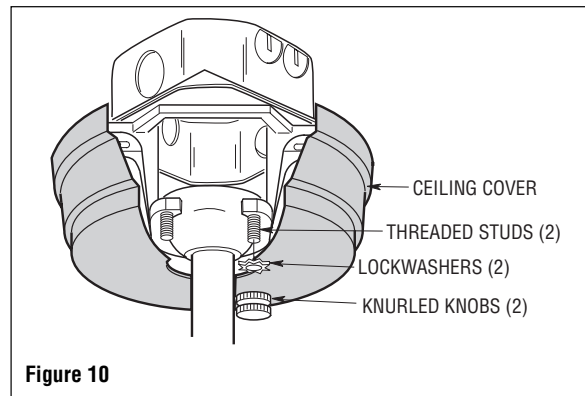
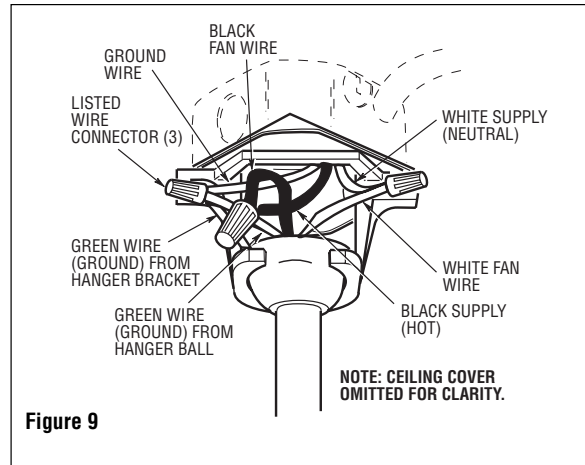
## WARNING

Check to see that all connections are tight, including ground, and that no bare wire is visible at the wire connectors, except for the ground wire. Do not operate fan until blades are in place. Noise and fan damage could result.

3. Screw the two threaded studs (supplied) into the tapped holes in the hanger bracket.
4. Lift the ceiling cover up to the threaded studs and turn until studs protrude through the holes in the ceiling cover (Figure 10).
5. Secure the ceiling cover in place by sliding lockwashers over the threaded studs and installing the two knurled knobs (supplied). (Figure 10). Tighten the knurled knobs securely until the ceiling cover fits snugly against the ceiling and the hole in the ceiling cover is clear of the downrod.

## WARNING

To avoid possible fire or shock, make sure that the electrical wires are completely inside the outlet box and not pinched between the ceiling cover and the ceiling.





# Lower Light Kit Assembly

1. With the fan assembly safely installed on the mounting bracket, install the lower light kit as follows.
2. Remove one screw (retain for future use) and loosen the two other screws in the motor housing for installation of the light kit assembly (Figure 11).
3. Connect the white wire from the ceiling fan assembly to the white wire of the light kit assembly (Figure 11). Connect the black wire from the ceiling fan assembly to the black wire of the light kit assembly.

## **⚠ WARNING**

**Make sure all wires and connectors are tucked under the light kit assembly and not pinched between light kit assembly and fan motor assembly.**

4. Position the light kit assembly onto the fan motor assembly, safely tucking all wires and connectors inside the light kit assembly.
5. Engage the two key slots on the light kit assembly with two loosened screws in motor housing assembly. Rotate the light kit assembly clockwise to engage the two screws into both slots and tighten securely. Install the previously removed screw into the remaining hole of the light kit assembly, attaching it to the fan motor assembly securely (Figure 12).
6. **If no light kit is to be used**, screw the light kit cover plate into the center hole of the light kit assembly. Rotate the light kit cover plate clockwise until fully installed (Figure 13).

**CAUTION: To avoid risk of burns or other injury, assure power is off before attempting to install or replace the 50-watt (max.) mini-candelabra base halogen lamps. Halogen lamps are very hot and can cause burns. Allow the lamps to cool sufficiently before handling.**

**CAUTION: To not touch 50-watt (max.) mini-candelabra base halogen lamps with bare hands. Fingerprints may result in shorter lamp life. Remove fingerprints with alcohol.**

7. **If light kit assembly is to be used as a down light**, screw in two 50-watt (maximum) mini-candelabra base halogen lamps (supplied) into the light kit assembly light sockets (Figure 14).
8. Place the light kit glass shade into the light kit assembly, aligning the three flat areas on the top flange of the glass shade with the three raised studs in the light kit assembly. Then turn the glass shade clockwise until it stops and is secure (Figure 14).

**NOTE: Periodically check that the glass bowl is seated fully clockwise in the light kit assembly.**

9. Installation of your ceiling fan is now complete. Proceed with installation of the wall control.

Please call Emerson technical support at 1-800-654-3545 if you have any questions about installation and operation of this ceiling fan.

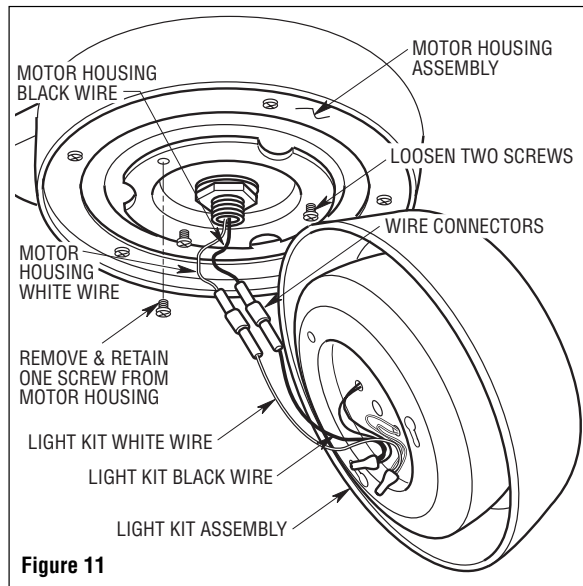


Figure 11

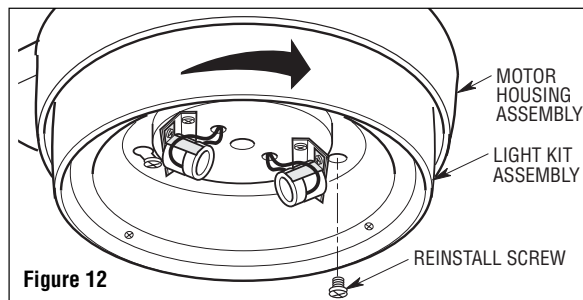


Figure 12

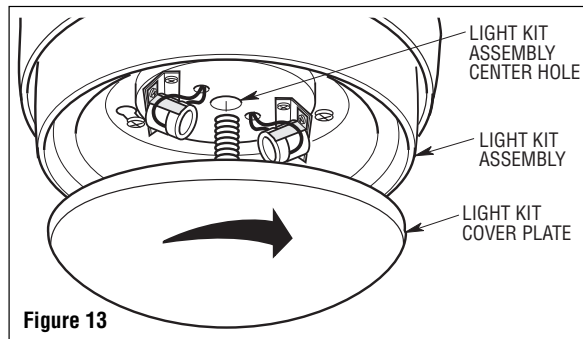


Figure 13

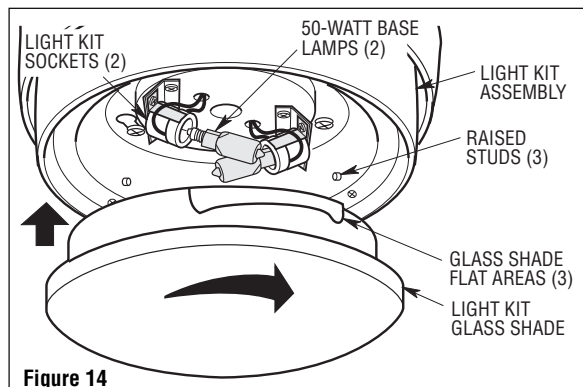


Figure 14



# Wall Control Procedures

## General

Your Emerson Ceiling Fan/Light Control consists of wall mounted transmitter and a receiver which is pre-installed inside the motor assembly. The remote control is designed to separately control your ceiling fan speed and light intensity.

Code switches in the transmitter and receiver may be set in 32 different positions. If your fan and light go on and off without using your control, you may be getting interference from other remote units such as garage door openers, car alarms or security systems. To remedy this situations, simply change the code switch combination in your transmitter.

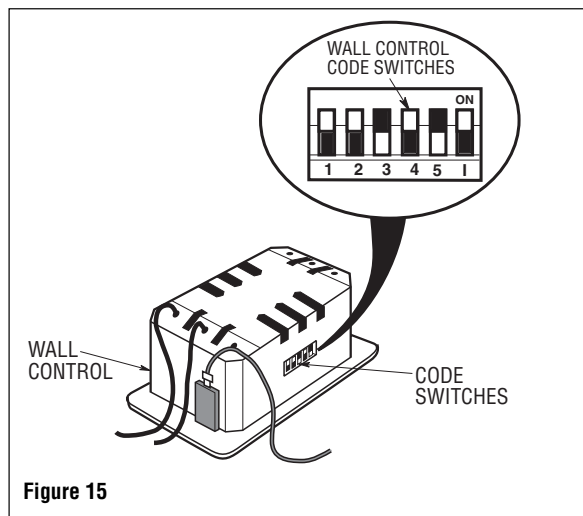
## Preset Memory Feature

Your Emerson receiver is equipped with a preset memory feature. If the AC supply to the receiver is powered through a wall switch, when the switch is turned OFF, the control will remember the light intensity and fan speed. When the switch is turned back ON the light and fan will resume operation as they were prior to the switch being turned OFF.

## Setting Operating Frequency of Wall Control

Your wall control has code switches which must be set in one of 32 possible code combinations (Figure 15). The five levers (numbered 1, 2, 3, 4, and 5) on the switches are factory-set in the ON (up) position. Change the switch settings as follows:

1. Slide the five switch levers in the wall control to your choice of ON (up) or down positions. Use a ball-point pen or small screwdriver and slide the levers firmly up or down.
2. The sixth switch marked ON and I is for dimming control of lights: Set switch to ON to allow for dimming of the lights. Set switch to I for no dimming of the lights such as for fluorescent bulbs.



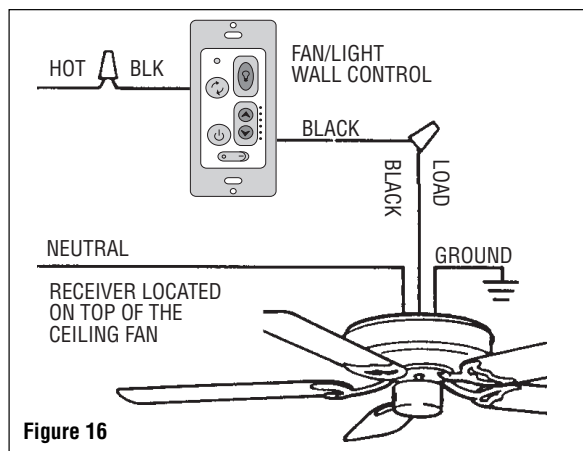
## Wall Control Installation (continued)

### SINGLE-POLE INSTALLATION

#### **⚠ WARNING**

Turning off wall switch is not sufficient. To avoid possible electrical shock, be sure electricity is turned off at the main fuse or circuit breaker box before wiring. All wiring must be in accordance with National and Local codes and the ceiling fan must be properly grounded as a precaution against possible electrical shock.

**CAUTION:** To reduce the risk of electrical shock, disconnect the electrical supply circuit before installing the fan, light kit or receiver.



## Wall Control Installation (continued)

**NOTE:** Make all wiring connections using wire connectors (supplied). Make sure that all connections are tight, including ground, and that no bare wire is visible at the wire connectors, except for the ground wire.

1. Disconnect electrical power to the branch circuit at the circuit breaker or fuse box before attempting to install the ceiling fan wall control into the outlet box.

### **⚠ WARNING**

**Do not connect any neutral (white) wire to this control. Incorrect wiring will damage this control.**

2. Remove faceplate and screws from existing wall control. Pull control out from the wall box. Determine the “hot” wire and the “load” wire and disconnect these wires from control. Do not attempt to disconnect any wires not already connected to existing control.
3. Before installing wall control, place wall control in “OFF” mode by pushing “ON/OFF” switch to the “OFF” position.
4. Connect one black wire of wall control to the “hot” wire. Securely connect wires with wire connectors supplied (Figure 17).
5. Connect one black wire of wall control to the “load” (black) wire in wall box. Securely connect wires with wire connector supplied.

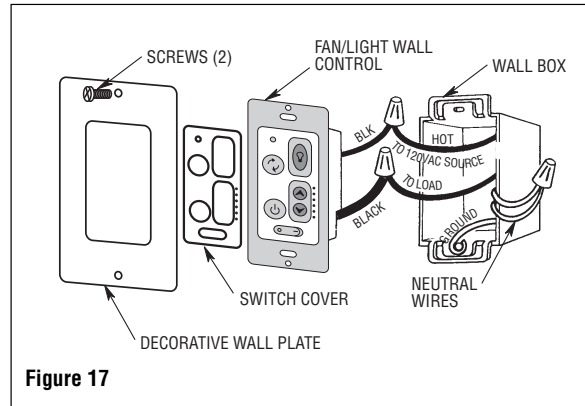


Figure 17

### **⚠ WARNING**

**Check to see that all connections are tight and that no bare wires are visible at the wire connectors.**

6. Screw wall control into wall box using the supplied screws. Leave wall control in “OFF” mode until fan installation is completed.
7. The wall control is supplied with a white, ivory, and almond color switch covers. Choose the finish that best suits your needs and snap the cover onto the wall control (Figure 17).
8. Install decorator wall plate using the two screws provided with wall plate. Leave wall control in “OFF” mode until fan installation is completed (Figure 17).

## 3-WAY INSTALLATION

(One fan controlled by two different wall controls)  
(See Figures 18 and 19.)

### **⚠ WARNING**

**Turning off wall switch is not sufficient. To avoid possible electrical shock, be sure electricity is turned off at the main fuse or circuit breaker box before wiring. All wiring must be in accordance with National and Local codes and the ceiling fan must be properly grounded as a precaution against possible electrical shock.**

1. Disconnect electrical power to the branch circuit at the circuit breaker or fuse box before attempting to install the ceiling fan wall control into the outlet box.

### **⚠ WARNING**

**Do not connect any neutral (white) wire to this control. Incorrect wiring will damage this control.**

2. At all wall box locations remove faceplates and screws from existing controls. Pull controls out from wall boxes and determine which wall box contains the “hot” lead and which wall box contains the “load” wire. Also, identify traveler wires which are common to both wall boxes. Disconnect wires from existing controls only. Do not attempt to disconnect any wires not already connected to existing controls.
3. Before installing wall control, place wall control in “OFF” mode by pushing “ON/OFF” switch to the “OFF” position.
4. Install a wall control in the wall box containing the “hot” wire first. Connect the black wire of the wall control to the “hot” wire. Securely connect wires with wire connectors supplied.
5. Connect one black wire of the wall control to both remaining traveler wires in the wall box and secure with wire connector supplied.

**NOTE:** Retrofit 3-way installations are likely to include two traveler wires between the two wall boxes (Figure 19). In new construction, only one traveler wire is required (See Figure 18).

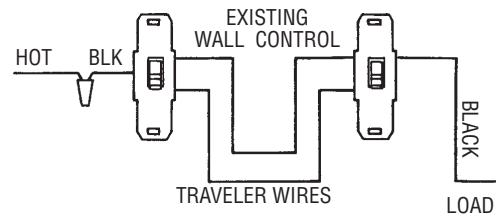
## Wall Control Installation (continued)

### **⚠ WARNING**

Check to see that all connections are tight and that no bare wires are visible at the wire connectors.

6. Screw wall control into wall box using the supplied screws. Leave wall control in "OFF" mode until fan installation is completed.
7. The wall control is supplied with a white, ivory, and almond color switch covers. Choose the finish that best suits your needs and snap the cover onto the wall control (Figure 17).
8. Next, install the other wall control into the wall box containing the load wire. Connect the black wire of the wall control to the traveler wire(s) already connected to the black wire (in the other wall box). Secure with wire connectors supplied.
9. Connect one black wire of the wall control to the "load" (black) wire and secure with wire connector supplied.
10. Restore electricity to your ceiling fan from the main fuse box or breaker panel.

### STANDARD WIRING FOR EXISTING 3-WAY CONTROLS



### 3-WAY WIRING DIAGRAM: RETROFIT

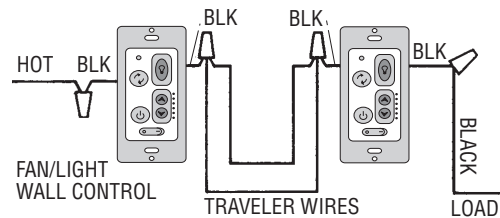


Figure 19

### 3-WAY WIRING DIAGRAM: NEW CONSTRUCTION

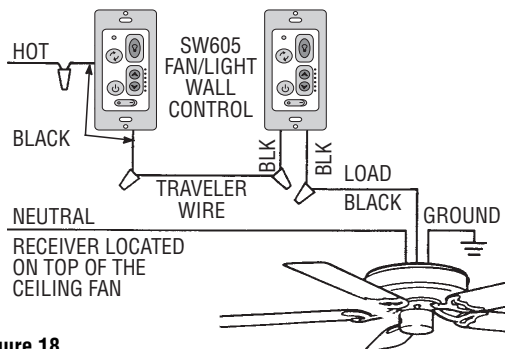


Figure 18

## Maintenance

### IMPORTANT CARE INSTRUCTIONS for your Ceiling Fan

Periodic cleaning of your new ceiling fan is the only maintenance that is needed.

When cleaning, use only a soft brush or lint free cloth to avoid scratching the finish.

Abrasive cleaning agents are not required and should be avoided to prevent damage to finish.

### **⚠ WARNING**

Do not use water when cleaning your ceiling fan. It could damage the motor or the blades and create the possibility of an electrical shock.

## Programming the Receiver Operating Frequency & High Speed Conditioning of Fan Control

**IMPORTANT:** Ceiling fan blades MUST be installed before high speed conditioning can begin.

1. Within 1 minute of restoring electricity to the ceiling fan, push and hold the fan OFF button (⏻) for 3 to 5 seconds to set the code in the receiver. The ceiling fan lights (if installed) will blink to indicate the transmitted has been paired with the receiver.

**IMPORTANT:** Immediately after successful pairing, the ceiling fan will automatically begin high speed conditioning of the motor. During conditioning, the electronic motor control software is calculating speeds for the 2nd through 5th speed settings based on the blades that were installed on the fan.

2. The fan will run for approximately 2 minutes in the upward direction then reverse direction to down flow and run an additional 2 minutes. When conditioning is complete, the fan will come to complete stop.

**IMPORTANT:** Do not interrupt the conditioning until the fan comes to a complete stop in approximately 5 minutes. All functions of the control will be rejected during conditioning.

3. High speed conditioning is now complete.
4. If programming is unsuccessful, retry the above instructions after cycling the wall control ON/OFF switch to restart the 1 minute programming time period.
5. If still unsuccessful, shut off the electricity at the fuse box or breaker panel and change the wall control frequency (page 9). After changing the frequency settings, repeat instruction #1 of this section within one minute of restoring the electricity.

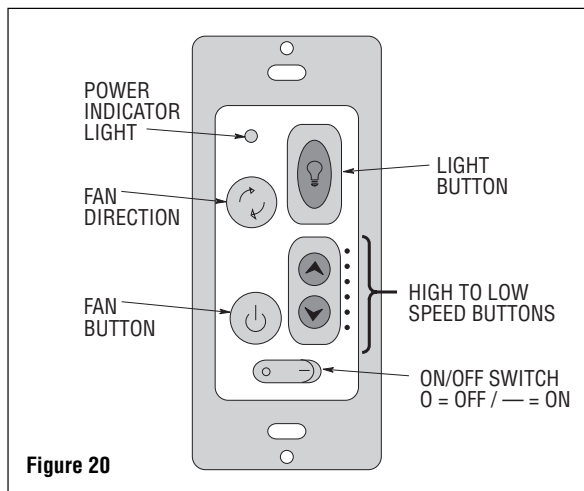
## Using Your Ceiling Fan

### WARNING

Fan installation must be completed, including the installation of the fan blades, before testing the remote control.

Your wall control has full control of your fan and light.

1. To set the desired fan speed, press the (▼) button to decrease the speed and the (▲) to increase the speed. The LED display will light up to indicate the new speed selected.
2. To turn the light on and off, press and release the LIGHT (💡) button. To set the light intensity, press and hold the LIGHT (💡) button. The light will turn on at the light intensity previously selected.
3. Your wall control comes complete with your choice of three wall cover plates; ivory, white and light almond.
4. If airflow is desired in the opposite direction, press the (↻) button on the wall control. The fan must be operating at any speed for the reverse button to function. The blades will turn in the opposite direction and reverse the airflow.



## Accessories

1. Ceiling Fan/Light Controls (see store or catalog).
2. Downrod Extension Kits (see store or catalog).

### ⚠ WARNING

The use of any other control not specifically approved for this fan could result in fire, shock and personal injury.

### ⚠ WARNING

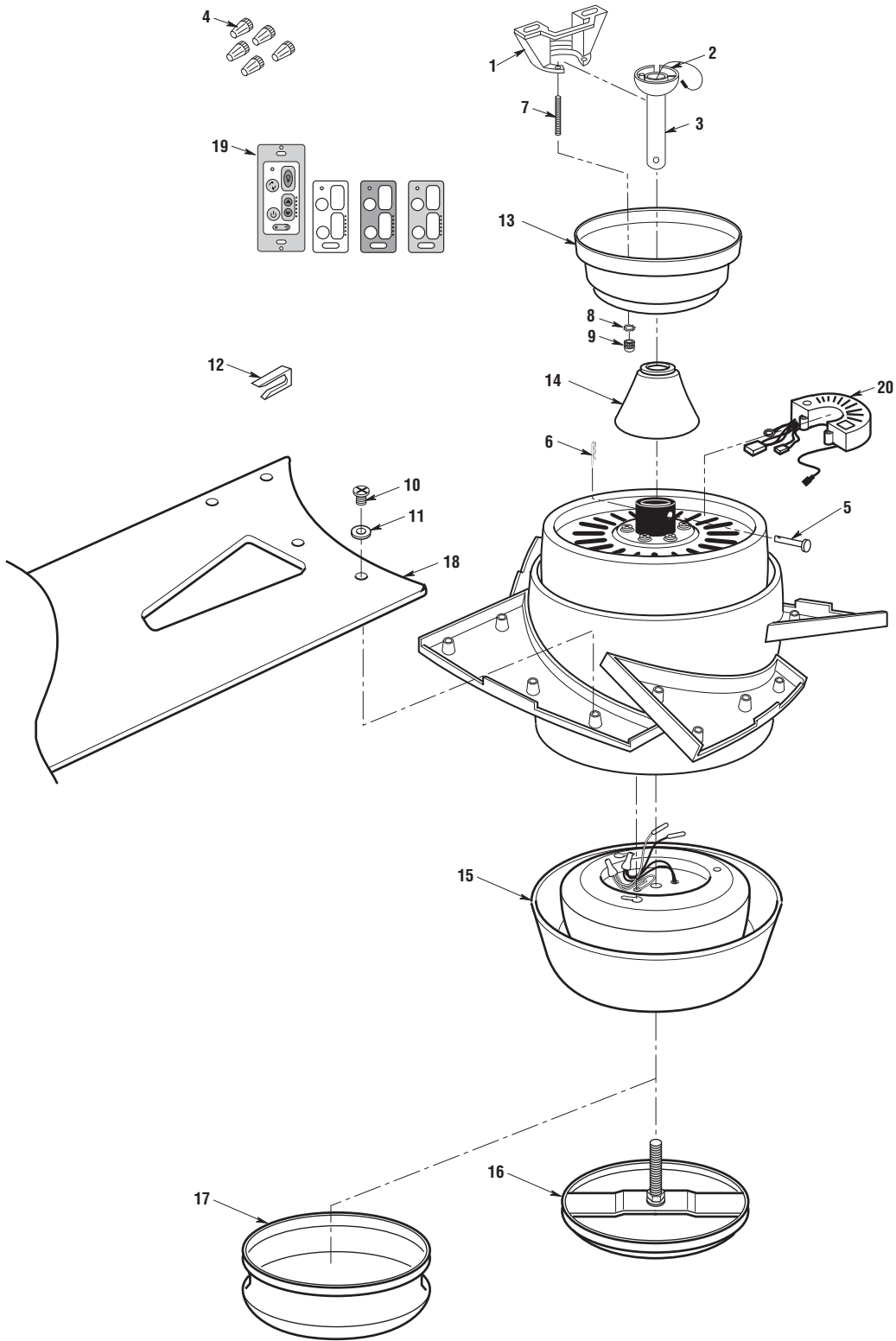
This product is designed to use only those parts supplied with this product and/or any accessories designated specifically for use with this product by Emerson Electric Co. Substitution of parts or accessories not designated for use with this product by Emerson Electric Co. could result in personal injury or property damage.

## Trouble Shooting

**⚠ WARNING:** For your own safety, turn off power at fuse box or circuit breaker before trouble shooting your fan.

TROUBLE	PROBABLE CAUSE	SUGGESTED REMEDY
1. Fan will not start.	<ol style="list-style-type: none"> <li>1. Fuse or circuit breaker blown.</li> <li>2. Loose power line connections to the fan, or loose switch wire connections in the switch housing.</li> <li>3. Fan Wall Control is OFF.</li> </ol>	<ol style="list-style-type: none"> <li>1. Check main and branch circuit fuses or circuit breakers.</li> <li>2. Check line wire connections to fan and switch wire connections in the switch housing.</li> <li>⚠ <b>WARNING:</b> Make sure main power is turned OFF.</li> <li>3. Turn ON Fan Wall Control.</li> </ol>
2. Fan sounds noisy.	<ol style="list-style-type: none"> <li>1. Blades not attached to fan.</li> <li>2. Loose screws in motor housing.</li> <li>3. Screws securing fan blades to fan blade flanges are loose.</li> <li>4. Wire connectors inside light kit housing rattling.</li> </ol>	<ol style="list-style-type: none"> <li>1. Attach blades to fan before operating.</li> <li>2. Check to make sure all screws in motor housing are snug (not over-tight).</li> <li>3. Check to make sure the screws which attach the fan blades to the blade flanges are tight.</li> <li>4. Check to make sure wire connectors in light kit housing are not rattling against each other or against the interior wall of the switch housing.</li> <li>⚠ <b>WARNING:</b> Make sure main power is turned OFF.</li> </ol>
3. Fan wobbles excessively.	<ol style="list-style-type: none"> <li>1. Setscrew in motor coupling is loose.</li> <li>2. Setscrew in hanger ball/downrod assembly is loose.</li> <li>3. Fan blade flanges are loose or not properly seated into the blade holders.</li> <li>4. Hanger bracket and/or ceiling outlet box is not securely fastened.</li> <li>5. Fan blades out of balance.</li> </ol>	<ol style="list-style-type: none"> <li>1. Tighten both setscrews securely in the motor coupling.</li> <li>2. Tighten the setscrew in the hanger ball/downrod assembly.</li> <li>3. Check to be sure the fan blade flanges are seated firmly and uniformly into the blade holders. If blades are seated incorrectly, loosen the blade screws and retighten according to the procedure in the section on "How to Put Your Ceiling Fan Together".</li> <li>4. Tighten the hanger bracket screws to the outlet box, and/or secure outlet box.</li> <li>5. Interchanging an adjacent (side-by-side) blade pair can redistribute the weight and result in smoother operation.</li> </ol>

# Repair Parts



# Repair Parts Listing

Key No.	Description	Model Number	
		CF550BS00	CF5500RB00
*	Hanger Ball Assembly, Consisting of:	761655-17	761655-32
1	Hanger Bracket	—	—
2	Hanger Ball	—	—
3	Downrod (4.5")	—	—
*	Parts Bag Containing:	764255	764255-1
4	Wire Connector (5)	—	—
5	Pin, Clevis (1)	—	—
6	Clip, Hairpin (1)	—	—
7	Threaded Stud, #8-32 x 1-1/4" (2)	—	—
8	Lockwasher, External Tooth #8 (2)	—	—
9	Knurled Knob, #8-32 (2)	—	—
10	Screw, Flat Head Blade, #10-24 x .375" (21)	—	—
11	Washer, Flat, #10 x .50" (21)	—	—
12	Balancing Kit (1)	—	—
13	Cover, Ceiling (1)	764240-BS	764240-ORB
14	Coupler Cover (1)	762463-BS	762463-ORB
15	Light Kit Assembly (1)	764250-BS	764250-ORB
16	Light Kit Cover Plate (1)	764256-BS	764256-ORB
17	Light Kit Glass Shade (1)	764253-OM	764253-OM
18	Blades (set of 5)	764248-DM	764248-WA
19	Wall Control, Transmitter 6-Speed	SW605	SW605
20	Control, Receiver	764087-1	764087-1
—	Owner's Manual	BP7453-1	BP7453-1

**Before discarding packaging material, be certain all parts have been removed.**

### HOW TO ORDER REPAIR PARTS

WHEN ORDERING REPAIR PARTS, ALWAYS GIVE THE FOLLOWING INFORMATION:

- PART NUMBER                      • PART DESCRIPTION •                      NAME OF ITEM                      •                      MODEL NUMBER

For repair parts, phone 1-800-654-3545.



# Emerson Air Comfort Ceiling Fan Limited Warranty

## **What The Limited Warranty Covers:**

This limited warranty is offered by Air Comfort Products division of Emerson Electric Co. ("Emerson" "we" or "us") located at the address stated below to the original retail purchaser ("you" or "your") of an Emerson Air Comfort Ceiling Fan product ("Emerson Ceiling Fan") and covers the motor and the other components and accessories of the Emerson Ceiling Fan against all defects in workmanship and materials.

## **What The Period Of Coverage Is:**

This limited warranty will cover the Emerson Ceiling Fan motor for the expected lifetime of your Emerson Ceiling Fan (when operated in accordance with your Owner's Manual or other instructions provided by Emerson to you with the Emerson Ceiling Fan). All other components and accessories of the Emerson Ceiling Fan are covered by this limited warranty for a period of one (1) year from its date of original retail purchase. ANY IMPLIED WARRANTY, INCLUDING WITHOUT LIMITATION, ANY IMPLIED WARRANTY OF MERCHANTABILITY OR FITNESS FOR A PARTICULAR PURPOSE THAT IS AVAILABLE TO YOU UNDER THE LAWS OF YOUR STATE OR PROVINCE SHALL COVER THE MOTOR FOR THE EXPECTED LIFETIME OF THE MOTOR (SUBJECT TO PROPER USE), AND FOR ONE YEAR WITH RESPECT TO COMPONENTS AND ACCESSORIES.

## **No Other Express or Implied Warranty Applies:**

THE LIMITED WARRANTIES PROVIDED ABOVE ARE THE SOLE AND EXCLUSIVE WARRANTIES PROVIDED BY EMERSON TO YOU FOR YOUR EMERSON CEILING FAN, AND ARE IN LIEU OF ALL OTHER WARRANTIES, WRITTEN OR ORAL, EXPRESS OR IMPLIED, WHETHER ARISING BY OPERATION OF LAW OR OTHERWISE, WHETHER OR NOT THE PURPOSE HAS BEEN DISCLOSED AND WHETHER OR NOT THE EMERSON CEILING FAN HAS BEEN SPECIFICALLY DESIGNED OR MANUFACTURED FOR YOUR USE OR PURPOSE. EMERSON HEREBY DISCLAIMS ANY AND ALL IMPLIED WARRANTIES, INCLUDING WITHOUT LIMITATION, IMPLIED WARRANTIES OF MERCHANTABILITY OR FITNESS FOR A PARTICULAR PURPOSE FOR COMPONENTS AND ACCESSORIES AS OF THE EXPIRATION OF THE ONE YEAR WARRANTY PERIOD FOR SUCH COMPONENTS AND ACCESSORIES. IMPLIED WARRANTIES OF MERCHANTABILITY OR FITNESS FOR A PARTICULAR PURPOSE FOR THE MOTOR PORTION OF THE EMERSON CEILING FAN ARE LIKEWISE DISCLAIMED BY EMERSON AT SUCH TIME THAT THE EXPECTED LIFETIME OF THE EMERSON CEILING FAN UNDER NORMAL USAGE HAS BEEN REACHED. EXCLUSIONS OR LIMITATIONS OF IMPLIED WARRANTIES MAY VARY FROM STATE TO STATE AND PROVINCE TO PROVINCE SO THE ABOVE LIMITATIONS MAY NOT APPLY TO YOU.

## **What We Will Do To Correct Problems:**

If during the one (1) year warranty period the motor or any component or accessory of your Emerson Ceiling Fan is defective in materials or workmanship, or if during the expected lifetime of the Emerson Ceiling Fan (when used in accordance with the User Manual or other instructions) the motor is defective in materials or workmanship, you must contact Emerson during the applicable warranty period. If the defect is covered by warranty, Emerson will repair or replace the defective motor, component or other accessory at no charge to you. If repair of the motor, component or accessory is not practical or possible within a reasonable time and no replacement Emerson Ceiling Fan can be provided, Emerson will refund to you the actual purchase price of your Emerson Ceiling Fan. We will ship the repaired or the replacement Emerson Ceiling Fan to you at no charge, but you are responsible for all costs of removal and reinstallation of your Emerson Ceiling Fan.

## **How You Can Receive Warranty Service:**

You must be the original retail purchaser and have proof of your purchase of the Emerson Ceiling Fan to obtain your remedy under this limited warranty. You can return your Emerson Ceiling Fan to your place of purchase, or you can call Emerson Customer Service at 1-800-237-6511 to obtain a return authorization and service identification tag. In order for us to confirm that your Emerson Ceiling Fan is still under warranty, please retain your receipt or other proof of purchase and have that information readily available when returning your Emerson Ceiling Fan to your place of purchase, or upon calling Emerson Customer Service. If you call Emerson Customer Service, prior to your call please be prepared to provide all model numbers shown on your Emerson Ceiling Fan. Once we have processed your return authorization request, we will provide you with a postage paid return label which should be affixed to the Emerson Ceiling Fan package you ship to the address listed at the end of this limited warranty. The return label will be sent to the mailing address you provide to us by phone.

## **What Is Not Covered:**

### **This limited warranty does not extend to and expressly excludes:**

- The glass globes and light bulbs of your Emerson Ceiling Fan,
- Loss or damage to the motor or any component or accessory caused by normal wear and tear, rather than due to defects in materials or workmanship,
- Loss or damage resulting from conditions beyond our reasonable control, including without limitation, repairs not made at our factory or authorized service center, use of parts or accessories not provided to you as part of this warranty by our factory or authorized service center, mishandling, unreasonable use, misuse, abuse, modifications or other damage caused by you or a third party to your Emerson Ceiling Fan while not in our possession,
- Loss or damage resulting from improper installation, or other failure to comply with instructions in your Owner's Manual.

This limited warranty is deemed null and void upon the occurrence of either of the following events:

- You cease to own the Emerson Ceiling Fan product, or
- The Emerson Ceiling Fan is moved from its original point of installation.

This limited warranty is only valid within the 50 United States, the District of Columbia, and Canada. No other written or oral warranties apply, and no employee, agent, dealer or other person is authorized to give any warranties on behalf of Air Comfort Products or Emerson Electric Co.

## **Limitation of Liability**

REPAIR, REPLACEMENT OR A REFUND ARE THE EXCLUSIVE REMEDIES AVAILABLE TO YOU UNDER THIS LIMITED WARRANTY. TO THE EXTENT PERMITTED BY LAW, IN NO EVENT SHALL EMERSON OR ANY EMERSON AUTHORIZED DEALER BE LIABLE FOR ANY INCIDENTAL, SPECIAL, INDIRECT, OR CONSEQUENTIAL DAMAGES, INCLUDING ANY ECONOMIC LOSS, WHETHER RESULTING FROM NONPERFORMANCE, USE, MISUSE OR INABILITY TO USE THE EMERSON CEILING FAN OR FOR THE NEGLIGENCE OF EMERSON OR AN EMERSON AUTHORIZED DEALER. EMERSON SHALL NOT BE LIABLE FOR DAMAGES CAUSED BY DELAY IN PERFORMANCE AND IN NO EVENT, REGARDLESS OF THE FORM OF THE CLAIM OR CAUSE OF ACTION (WHETHER BASED IN CONTRACT, INFRINGEMENT, NEGLIGENCE, STRICT LIABILITY, OTHER TORT OR OTHERWISE), SHALL EMERSON'S OR ANY EMERSON AUTHORIZED AGENT'S LIABILITY TO YOU OR ANY INDIVIDUAL USING THE EMERSON CEILING FAN EXCEED THE PRICE PAID BY THE ORIGINAL OWNER FOR THE EMERSON CEILING FAN. The term "consequential damages" shall include, but not be limited to, loss of anticipated profits, business interruption, loss of use or revenue, cost of capital or loss or damage to property or equipment.

## **How State and Provincial Law Relates To The Warranty:**

Some states and provinces do not allow the exclusion or limitation of incidental or consequential damages so the above exclusion or limitation may not apply to you. This limited warranty gives you specific legal rights, and you may also have other rights which vary from state to state or province to province.



**EMERSON**

**Air Comfort Products**

DIVISION OF EMERSON ELECTRIC CO.  
8100 W. Florissant • St. Louis, MO 63136