

WIRELESS HOME SECURITY SYSTEM

Instruction Manual

English Version1.0



**MODEL:
WA-410**



www.lorexctv.com

Copyright © 2007 Lorex Technology Inc.

Table of Contents

Introduction.....	3
System Package.....	3
Optional Accessories.....	3
Planning for Installation	
Choosing a Location.....	4
Setting Alarm Zones.....	4
Installing the Back-up Battery.....	4
Powering the Main Console.....	4
Connecting the Telephone Line.....	5
Setting the Antenna.....	5
Mounting the Main Console.....	5
About Passwords.....	5
Others.....	5
Operation – Main Console.....	6
LCD Panel Illustration.....	6
Function for Installer Menu.....	7
System Option Menu.....	8
Sequence Programming Menu.....	10
Replacement Menu.....	11
Clear Menu.....	11
Function for Master Menu.....	12
Check Function.....	13
Speed Dial Function.....	13
Arm or Disarm via the Telephone Line.....	14
Auto Dialer Priority.....	14
LCD Messages.....	15
24 Hour, Home & Away Functions.....	15
Remote Control Handset.....	16
PIR Motion Detector.....	17
Door/Window Detector.....	19
Mini Siren.....	22
Summary of Program – Main Console.....	23
Summary of Sensors and Zone Settings.....	24
Specifications.....	25
Installation Template.....	26

Important Safety Instructions

WARNING: TO REDUCE THE RISK OF FIRE OR ELECTRIC SHOCK, DO NOT EXPOSE THIS APPLIANCE OR POWER ADAPTER TO WATER OR MOISTURE

- **Read Instructions** – All the safety and operating instructions should be read before operating this equipment. These instructions should be retained for future reference
- **Heed Warnings** – All warnings on the equipment and in the operating instructions should be adhered to. All instructions regarding care and operation of this equipment should be followed.
- **Power Sources** – Equipment should only be connected to the power supply specified in the operating instructions or as marked on the equipment.
- **Grounding or Polarization** – Take precautions that the equipment is properly grounded. Take note that the power supply is fitted in the correct input jack (marked DC 12V), and auxiliary units (external siren and strobe light) are fitted into the correct external jack points.
- **Power-Cord Protection** – Keep cable cords and plugs clear of other objects, particularly at the point where they exit the equipment.
- **Cleaning** – Clean the equipment by wiping with a soft cloth, (do not use any abrasive agents or water).
- **Non-use Periods** – Power cords should be unplugged from the outlet when left unused for a long period of time.
- **Object and Liquid Entry** – Take care not to drop objects or liquids on any part of the equipment.
- **Damage Requiring Service** – The alarm should be serviced by a qualified service personnel when:
 - The power-supply cord or the plug has been damaged, or
 - Objects have fallen, or liquid has been spilled onto the equipment, or
 - The equipment has been exposed to rain, or
 - The equipment does not appear to operate normally or exhibits a marked change in performance, or
 - The equipment has been dropped, and/or the enclosure has been damaged.
- **Servicing** – Do not attempt to service the appliance beyond that described in the operating instructions. All other servicing should be referred to a Qualified Distributor's Service Personnel.
- **System Maintenance** – Under normal use your system requires virtually no maintenance other than regular testing. It is recommended that you test your system once a week, and replace the batteries at least once every 6 months (or as needed).

IMPORTANT NOTE: IF YOU RETURN TO YOUR PREMISES AND FIND THAT THE ALARM IS IN PROGRESS, DO NOT ENTER, AS A FIRE OR AN INTRUDER MAY BE PRESENT. GO TO A NEIGHBOR AND CONTACT THE RELEVANT LOCAL AUTHORITIES FROM THERE.

Introduction

Thank you for choosing the Lorex® WA410 Wireless Home Security System. These security systems are high-quality, reliable and versatile. This system has a built in Auto-dialer for increased security. To ensure the best performance of your system, please read this manual thoroughly and follow the precautions and instructions presented. These systems are designed to be simple and easy to install and maintain.

- Wireless easy to use** : No messy and expensive wiring is required to install the system.
- Expandability** : You can add different types of accessories to the system to create a more complex system as your future needs may require.
- Flexibility** : You can choose the type of sensors and response actions for the system.
- Personalized** : Program the system to notify whoever you choose in the case of an alarm activation.

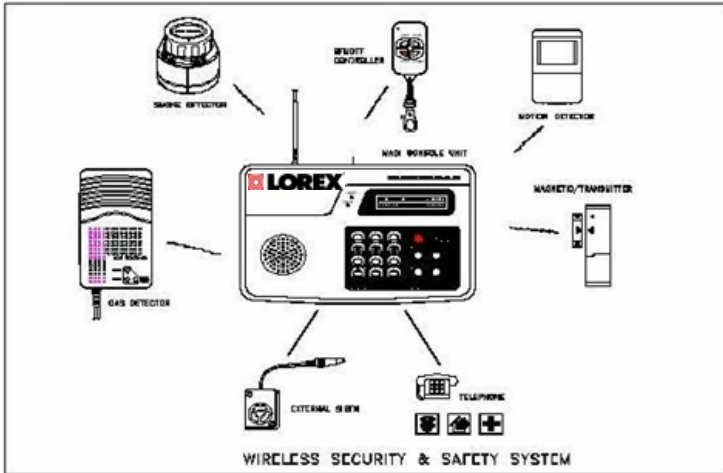
System Package

Main Console	X 1
Remote Control (KT 410)	X 1
PIR Motion Detector (MD 410)	X 1
Door/Window Sensor (DT 410)	X 1
Wired Mini Siren	X 1

Optional Accessories

SD 410	Smoke Detector	SS 410	Wired Outside Siren with Strobe Light
DT 410	Door/Window Detector (9V)	BP 410	Rechargeable Battery (for WA 410)
GD 410	Gas Detector	MD 410	PIR Motion Detector
KT 410	Key- chain Remote Control		

Planning for Installation



The security system is designed to be as flexible as possible in order to meet your present needs, and also to adapt as your needs change. For the reason, we recommend that you read and consider the following information and plan your system before installing these devices.

Choosing Location

It is important to try and place the Main Console in an area central to the alarm sensors. This way, all of the sensors can transmit signals with maximum efficiency. The Main Console must be placed near a power outlet and telephone jack.

Setting Alarm Zones

Before installation, you should have the sensors programmed on the Main Console via the systems learning mode on the Main Console. This system allows you to install a maximum of 63 wireless sensors.

Installing the Back-up Battery-Optional Accessory(Not included)

1. Remove the battery cover at the back of the Main Console
2. Locate the connector plug and connect the rechargeable back-up battery (BP 410) to this connector
3. Re-install the battery cover

Powering the Main Console

1. Attach the end of the adapter into the connector provided at the top of the console.
2. Plug the AC adaptor into the power outlet.
3. When the power is installed on the main console you will see the LCD (shown below)

Welcome

00 HOME SECURITY
Disarmed

Connecting the Telephone Line

To connect the Main Console to the telephone line, Please follow these steps:

1. Locate the two phone jacks at the top of the main console. These phone jacks are marked " Phone " and " Line ".
2. Connect one end of the telephone cord that came with the system into the connector, labeled" Line". Connect the other end of that cord into the wall jack.
3. Connect a telephone to the Main Console through the phone jack.

Note: The system will only work with "Touch Tone" service

Setting the Antenna

Carefully extend the antenna upward in order to maximize the range of communication between the sensors and the Main console. Remember, that the maximum distance from an sensor back to the main console is 100 ft

Mounting the Main Console

The Main Console may be set on a table top, or mounted on a wall. To mount the console on a wall, follow these steps.

1. Remove the two top black rubber pads and store them away for future use.
2. Measure and fix screws into the wall so that the two screws fit into the grooves left under the removed pads. (You may use the Installation Template on the last page of this Manual)
3. Connect all wire connections to the jacks at the top of the console
4. Set the console onto the screws and carefully allow the console to drop into the groove securely.

About Passwords

This system provides two sets of password for setting the system. "Install ", "Master "
"Install " : You can use this password to set the system, such as telephone numbers or record message...etc

"Master " : This password is used for setting " Arm"(Arm away or Arm home),
"Disarming" the system....etc

When the system installation is finished, family members will only need to " Arm" or "Disarm" the system.

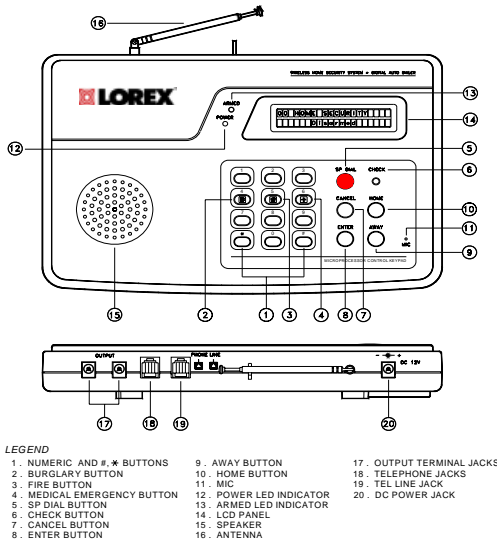
Others

We recommend that you install the console after programming the other wireless devices (sensors) into the main console. This is to ensure that all of the wireless devices are working together properly.

Operation – Main Console

The Main Console is the heart of the security system. It monitors the sensors and responds according to how it is programmed, whenever a sensor is activated. The illustration shown for the Main Console may look complex at first, however, most procedures are straightforward and easy. Please review the illustration below, which labels all the parts of the Main Console.

LCD Panel Illustration



- 1. Numeric keys and # keys** : For telephone setting include the pound and star keys.
- 2. Burglary Button** : Press the SP DIAL & Burglary Buttons together
- 3. Fire Button** : Press the SP DIAL & Fire Buttons together
- 4. Medical Emergency** : Press the SP DIAL & Fire Buttons together
- 5. SP DIAL button** : Press the SP DIAL button together with 4, 5 or 6 to activate one of the 3-emergency dialing numbers
- 6. Check** : Press the CHECK button to review sensor settings and to check recorded message.
- 7. Cancel** : Press the CANCEL button to go back to the previous menu or to delete the Message
- 8. Enter** : Press ENTER to confirm program entry.
- 9. Away** : Key-in the “ Master ” code, then press the AWAY button to arm the system in the away mode
- 10. Home** : Key-in the “ Master ” code then press the HOME button to arm the system in the home mode
- 11. Mic** : Used to record messages, and for two way communication voice input.
- 12. Power LED** : Indicates whether the AC Adaptor power is on or off.

- 13. Armed LED** : When the light is 'on', the system is armed; When the light is 'off', the system is disarmed.
- 14. LCD Panel** : Displays messages
- 15. Speaker** : Sounds alarm and plays back messages
- 16. Antenna** : Used for wireless reception
- 17. Output Jack** : Connects to the external siren
- 18. Phone Jack** : Connects to the phone set
- 19. Line Jack** : Connect to the Telephone line from the wall
- 20. DC Power Jack** : DC supply input

3.0: Function for Installer Menu – Factory Default Password :123456

1. Enter the password to start the menu setting as shown below

Code : *****

- (i) An incorrect password entered will show “Access Denied” and will emit a beep sound warning.

Access Denied

- (ii) If 3 incorrect passwords are entered, the keyboard will become disabled and locked (LCD shown below). Try it again after one minute or use the Remote Control Handset (**DISARM** button) to unlock the system.

Note: The remote control handset can be used to unlock the system, however, if it is not programmed into the system, it can not be used to unlock the system. Please make sure to enter the correct password when the system is turned “ON” for the first time.

**Home Security
Keyboard Locked**

- (iii) If 9 incorrect passwords are entered, and 3 consecutive “Keyboard Lock” occurs, then the system will trigger the alarm for a set duration and will be locked/disabled. The LCD will display as shown below. The dialer will not dial out any of the phone numbers programmed. The disarm button on the remote control handset can be used to disarm/unlock the system.

System Lock

2. If the password is correct (default 123456), the system will emit a beeping sound and the LCD panel will look like this (shown below).

**Access Granted
Install Mode**

**SYS_OPTS: 0-SYS_OPTS
1-SEQ 2-REPLAC 3-CLR**

3. Select the System Menu Number

3.1: System Option menu : Press 0 to start setting

Setting : 0 – T 1 2 3 4 5 6 – P
7 – MSG 8 – DIAL 9 - CODE

(1) **0-T** : For time setting (Default is 30 seconds.) minimum 1 second, maximum 255 seconds.

Press the **0** button, to go to the time setting (exit, alarm, entry) time

Setting : Time 1 - Exit
2 – Alarm 3 - Entry

Press the **1** button, to set the delay time for exiting the house. The default time is 30 Sec, You can set the time from 1 to 255 Sec. Press the Enter button to finish the setting.

Setting : Time
1 – Exit : 30 Sec

Press **2** button, setting alarm time for triggering alarm, The default time is 30 Sec, you can set the time from 1 to 255 Sec. Press Enter button to finish the setting.

Setting : Time
2 – Alarm : 30 Sec

Press **3** button, setting delay time for entering house, The default time is 30 Seconds. You can set the time from 1 to 255 Sec. Press Enter button to finish the setting.

Setting : Time
3 – Entry : 30 Sec

(2) **123456-P Numeric key** : To set the telephone number (you can program up to 6 telephone numbers, each one being up to 20 digits each)

Example: Press the 1 Button, the LCD panel will appear as shown below. Enter the phone number, then press the ENTER button to program. Press the **2** button to program Phone number 2.....

Setting : Phone Num : 1

Setting **1**, **2** or **3** : For neighbors, relatives, friends and family members to notify in case of emergencies.

Setting **4** : The first priority dial in case of Burglary. (check with the police dept. if this is acceptable)

Setting **[5]** : The first priority dial in case of Fire. (check with the fire dept if this is acceptable)

Setting **[6]** : The first priority dial in case of Medical help. (check with the hospital if this is acceptable)

Note: The dialer will work with a touch tone service line only

(3) 7 - MSG : To set a recorded message which contains 1 segment of message for a maximum of 25 seconds. If the recorded message is less than 25 Sec, press **[ENTER]** to end the recorded message. When alarm is triggered, it will play the recorded voice message.

Press **[7]** to start recording your message(it will automatically count down from 25 Sec). *Please note: The message should include pertinent information such as your name, address, and telephone number*

Setting : Message Rec
Sel Msg: 1 25 Sec

When the recorded message is finished, it will automatically playback the recorded message. The LCD panel is shown below.

Setting : Message Play
Sel Msg: 1 25 Sec

(4) 8 - DIAL : To set a Dial mode. (default is 2-ALL to dial all telephone numbers programmed)

Setting : Dialer Mode
1 - Single 2 - All 2

Press **[1]** for a single attempt dial. (the dialer will stop dialing when one of the phone numbers are answered or 3 cycle dialing attempts are complete)

Setting : Dialer Mode
1 - Single 2 - All 1

Press **[2]** for a 3 cycle attempt dial (the dialer will stop dialing when all the programmed phone numbers are answered or 3 cycle dialing attempts are complete)

Note: The answered phone numbers will be excluded from the dial sequence

Setting : Dialer Mode
1 - Single 2 - All 2

(5) 9 - CODE : To make a password change. (factory defaults, 1-Install :123456, 2-Master : 135246). If you want to change the password, key-in the 6 Digits. It will automatically show "OK"(max set 6 digits). If it is less than 6 digits, you can press **[ENTER]** after keying-in the number, and it will show "OK".

Setting : Change Code
1 - Install 2 - Master

Press **1** to change the Install code menu.

Setting : Change Code
1 – Install : 1 2 3 4 5

Press **2** to change the Master code menu.

Setting : Change code
2 – Master : 1 3 5 2 4 6

3.2: Sequence Programming Menu

This menu for code learning establishes a link between all sensors/other wireless devices and the main console. The main console has to learn the code for all sensors/other wireless devices and set a sequence learning order, as well as assign the zone for all programmed sensor/accessory devices. The system can be programmed for up to 63 devices. It is recommended that the sequence learning order number be marked on the individual wireless device and recorded in the ‘Summary of Sensors and Zones Settings’, so that the user can replace/clear the wireless device if it’s required

In the system menu,

SYS_OPTS: 0-SYS_OPTS
1-SEQ 2-REPLAC 3-CLR

Press **1** to go into the sequential programming mode

Sequential Pgming
Trigger Sensor 01

(01 sequence learning order)

The method for sensors learning:

- 1. PIR Motion Detector :**
Install the Battery and select the Power Switch position from OFF to C position. PIR sensor LED will light for 1 Sec. This means that the sensor will transmit a 1sec signal. You can also move in the front of the PIR. It will detect your movement and transmit a 1 sec signal. The sensor will “learn” into the main console.
- 2. Door / Window Detector :**
Install the Battery and let the magnetic switch go from a close position to an open position. The LED will light for 1 Sec. The sensor will “learn” into the main console.
- 3. Remote Control handset :**
Install the Battery and press the **PANIC** button. The LED will light for 1 Sec. The sensor will “learn” into the main console.
- 4. Smoke Detector :**
Install the Battery and press the **S1** button. The LED will light for 1 Sec. The sensor will “learn” into the main console.
- 5. Gas Detector :**
Plug-in the AC power and press the **TEST** button. The LED will light for 2 Sec. The sensor will “learn” into the main console.
- 6.** When the sensor is ‘learned’ into the main console, it will show the message

listed below. It will automatically advance to the next sequencing learning order position.

Sequential Pgming
Sensor Added

Sequential Pgming
Trigger Sensor 02

7. If the sensor that was learnt into the main console is sending a signal during the learning mode, the main console will indicate on the LCD, as shown below and will not allow duplication.

Sensor Already
Exists in System 02

8. If the sensors “learned” reaches 63 zone numbers, the LCD panel will show a full message memory.

Sequential Pgming
Mem Full 63

3.3: Replacement Menu

When the sensor becomes faulty and needs to be replaced with a new one you will need to activate the menu. To replace the original sensor, key-in the sequence learning order number and press **ENTER**. Trigger the sensor, and the new sensor will “learn” into the main console.

Note: Please use the same type of sensor to replace the old one.

Press **2** to go into the replace sensor mode.

Replace Sensor
Enter Sensor Num :

Trigger Sensor To
Replace 01

Once replaced, It will go back to the system menu as shown below.

SYS_OPTS: 0-SYS_OPTS
1-SEQ 2-REPLAC 3-CLR

3.4: Clear Menu

Clear Sensors (1 - Single 2 – All)

Select 1- Single, key-in the sequencing learning order number and press

ENTER. It will clear that sensor. If you select 2- All, all learned sensors will

be cleared.

Press **3** to go into the clear mode.

Clear Sensor
1 – Single 2 - All

Press **1**, and key-in the sequence learning order number. Press **ENTER**, to clear the sensor.

Clear Sensor
1 – Single Num: xx

Clear Sensor
Clear OK Num : xx

Press **2**, It will display the words “Are you sure ?”. Press **ENTER** to clear all learned sensors.

Clear Sensor
Are You Sure ? Enter

Clear Sensor
Waiting

Clear Sensor
Clear All OK

Function for Master Menu – Factory Default Password – 135246

1. Enter the Master code – 135246, (LCD display shown below)

00 HOME SECURITY
Disarmed

Code : *****

- If the password is incorrect, the main console will emit a Beep ...Warning sound. (LCD display shown below).

Access Denied

- If the password is correct, the main console will emit a long beep sound. (LCD display shown below).

Access Granted
Master Mode :

MASTER
A-AWAY H-HOME

Now the system will select the arm mode and set the system in either Away arm/Home Arm mode (see below):

A - AWAY : Press the **AWAY** button to set the “ Armed - Away “ alert. After the exit delay the Arm LED will illuminate steady and the system is armed in the AWAY mode.

00 HOME SECURITY
Armed AWAY

H - HOME : Press the **HOME** button to set “ Armed - Home “ alert. After the exit delay the Arm LED will blink and the system is armed in the AWAY mode.

00 HOME SECURITY
Armed HOME

Check Function

Press the **CHECK** button to check the programmed data without any password. It can only review, but it can not change the data in the ‘Check’ Mode. The menu structure is listed below.

Check :

- 0 – T** : To review (1- Exit) Exit time, (2-Alarm) Alarm time, (3- Entry) Entry time.
- 123456 – P** : To review phone number sets.
- 7 – MSG** : To review recorded message
- 8 – DIAL** : To review dial mode.

Programmed devices can be checked without the activation of the alarm. When the main console receives data from the device/sensor the LCD displays zone label/status to confirm proper communication between the device/console status.

Speed Dial Function

- Press and hold the **SP DIAL** button and the assigned button. The Main console will automatically execute the autodial and alarm. If you want to cancel the autodial and alarm when they are activated, key-in the Master password to cancel them or use the Remote Control disarm button.

- **[SP DIAL] + [4]** , the autodial order is: Preset 4 → Preset 1 → Preset 2 →Preset 3 (Burglary condition)
- **[SP DIAL] + [5]** , the autodial order is: Preset 5 → Preset 1 → Preset 2 →Preset 3 (Fire condition)
- **[SP DIAL] + [6]** , the autodial order is: Preset 6 → Preset 1 → Preset 2 →Preset 3 (Medical help condition)

Arm or Disarm Via the Telephone Line (for Tone Mode)

This function allows you to dial your home telephone from outside and remotely control/change the arm/disarm status of your security system. When you hear a long 'Beep' sound after 10 rings on the phone, enter the 'Master code' 135246 (default). If the password is correct, the system will respond with a long Beep sound (if the password is less than 6 digits, you will need to enter the # button to finish the password entry).

**One 'Beep' sound indicates that the system is in the 'Armed-Away' mode,
Two 'Beep' sound indicates it's in the 'Armed-Home' mode
Three 'Beep' sound indicates that the system is 'Disarmed'.**

You can now key-in (1, 2 or 3) to change the status. The Main console will respond to the relative message as listed below.

Response message as listed below:

- Pressing **[1]** indicates that the system is 'Armed-Away'. You will hear one 'Beep' sound through the phone.
- Pressing **[2]** indicates that the system is 'Armed-Home'. You will hear two 'Beep' sounds through the phone .
- Pressing **[3]** indicates that the system is 'Disarmed'. You will hear three 'Beep' sounds through the phone.

If the system has been programmed in the 'Armed-Away' or 'Armed-Home' mode, you need to 'Disarm' the system with the first call and a second call to change the Arm status. If you do not disarm first, and press '1' or '2' directly, the system will emit 'bi-bi-bi' and reject your setting. You must press '3' to disarm first.

Note: this function will work on touch- tone service lines only

Auto-dialer priority

This system stores up to six (6) telephone numbers in the Main Console. If it is triggered and an alarm is activated, the auto-dialer will call the 4 preset telephone numbers that you programmed (listed below) and play your pre-recorded message.

If system is triggered:

Burglary help - It will automatically dial Preset 4 → Preset 1 → Preset 2 → Preset 3 phone numbers for 3 cycles (4, 1, 2, 3). When the telephone is answered, it will playback the message 2 times

Fire help - It will automatically dial Preset 5 → Preset 1 → Preset 2 → Preset 3, phone numbers for 3 cycles (5, 1, 2, 3). When the telephone

is answered, it will playback the message 2 times

Medical help - It will automatically dial Preset 6 → Preset 1 → Preset 2 → Preset3, phone numbers for 3 cycles (6, 1, 2, 3). When the telephone is answered, it will playback the message 2 times

LCD “MSG” : Message indicating on LCD

This system will leave a warning message on the LCD panel when the sensors are opened, triggered or in a low battery condition. It also emits 3 short ‘Beeps’ every 10 Sec. to remind you of this. The first 5 messages can be displayed on the LCD. If you want to check or delete the MSG, the system will need to be in the disarm mode. The LCD display is shown below.

00 HOME SECURITY
Disarmed MSG

Press the **ENTER** button to read the message. Press the **ENTER** button again to read the next message...etc.

63 DOOR SENSOR
01 Open

Press the **CANCEL** button to delete all ‘MSG’s’. The LCD display is shown below.

MESSAGE DELETED

24 Hour & Home-Away Functions

24 Hour Mode

The Lorex® security system can work for you 24 hours a day, 7 days a week. The system features a 24 hour status capability which is important for use with some accessory sensors. The sensors that belong to the **24 hour mode include the Smoke Detector, Gas Detector and Remote Control Handset (PANIC button)**

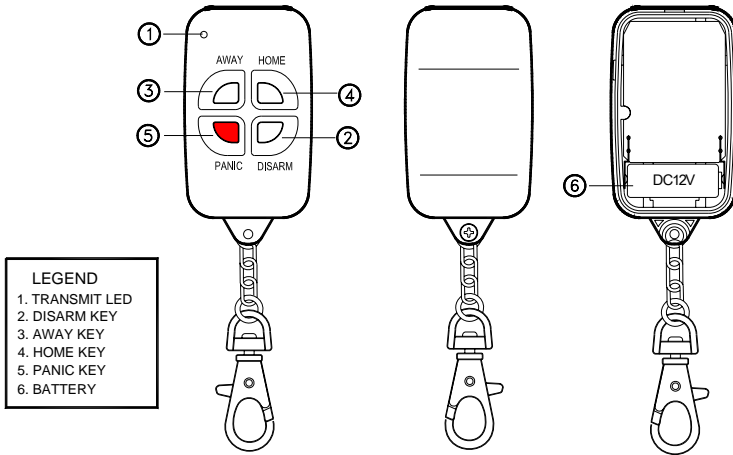
A-AWAY and H-HOME modes:

When the system is armed in the **HOME** mode, the Main Console will exclude all PIR Detectors, so the user can move freely within the house without triggering the PIR Motion Detector.

When the system is armed in the **AWAY** mode, all sensors programmed are active and are ready to trigger the alarm

Remote Control Handset

The key chain Remote Control Handset is a convenient way to arm (Home / Away mode) or disarm this system. Before using this device, please program it into the main console via the sequence programming menu.



1. TRANSMIT LED : The LED will light when the device is transmitting
2. DISARM : Press this button to disarm the system or clear the message
3. AWAY : Press this button to set the system in the AWAY Arm mode
4. HOME : Press this button to set the system in the HOME Arm mode
5. PANIC : Press this button to trigger the alarm and activate auto-dialer
6. BATTERY COMPARTMENT : For 12V alkaline battery

Zone Address Setting

Enter the Installer code and press '1' to activate the "Sequencing Programming Menu". Press the **PANIC** button for 1 sec, the red LED will also light for 1 sec. The main console will emit a long 'Beep', and the LCD panel will show 'Sensor Added'. The sensor has been set successfully.

To Arm or Disarm with the Remote Control Handset

- Press the "AWAY" button to arm the system in the AWAY mode.

63 REMOTE SENSOR
Armed AWAY

- Press the "HOME" button to arm the system in the HOME mode.

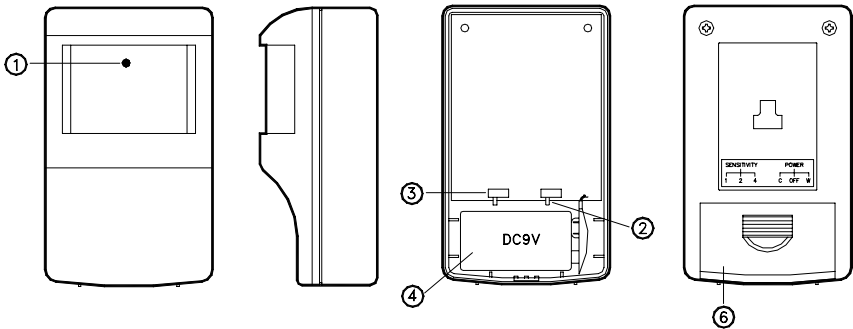
63 REMOTE SENSOR
Armed HOME

- Press the **PANIC** button, to activate the “PANIC” function. The activation of the “PANIC” function will immediately trigger the alarm and auto dialer.

63 REMOTE SENSOR
01 Panic

PIR Motion Detector

The PIR Motion Detector is designed to detect the movement of objects in a room or hallway. The effective range of the motion sensor is 30 feet long, with an 84degree horizontal angle. Before using this sensor, please program this sensor into the main console via the sequence programming menu. Even if the PIR Motion Detector is triggered and the main console is armed in the HOME mode, the main console will neglect the PIR signal. You can move freely within your house without triggering the alarm.



LEGEND	
1.	LED
2.	POWER SWITCH C\OFF\W
3.	DETECTING SENSITIVITY SWITCH
4.	BATTERY
5.	ROCKER ARM & HOLDER
6.	BATTERY COVER

Main Features :

1. LED : When the PIR has detected any human movement, the red LED will blink for One sec. This means its transmitting out a signal to the Main Console. When the battery power becomes low, it will send out a low battery message and the red LED will blink for one second. If the Main Console receives this message, it will leave a message on the display.
2. C/OFF/W SWITCH :
 - (i) When the switch is set to “C – Continue” position, the PIR sensor will continually detect movement at a 3 to 5 second interval
 - (ii) When the switch is set to the “ OFF” position, the power is turned OFF and the PIR sensor will not work.
 - (iii) When the switch is set to the “W- Wait” position, the PIR sensor will detect movement at a 2 to 3 minute interval. This is to conserve battery power.
3. DETECTING SENSITIVITY : (1 , 2 , 4) select the sensor for high, medium or low sensitivity.

4. BATTERY : Remove the Battery cover and insert one 9V alkaline battery.
5. ARM & HOLDER : For mounting on the wall.
6. BATTERY COVER

Replace the Battery

- When the sensor sends a low battery message to main console, remove the old battery and replace it with a fresh alkaline battery. The LCD is shown below

63 PIR SENSOR
01 Low battery

Zone Address Setting

Enter the Installer password and press "1" to activate the "Sequence Programming Menu" after installing the battery for the PIR sensor. Set the power switch from " OFF " to " C " position. The red LED will blink for 1 second and activate the PIR sensor by moving in front of the PIR Sensor. The Main Console will emit one 'Beep' and the LCD will display, 'Sensor Added'. The PIR sensor has been programmed into the main console successfully.

When the main console is in the armed mode, the PIR detects movement of human or animals (cat, dog). A message will be displayed on the LCD as shown below.

63 PIR SENSOR
01 Zone

Notes on the Position when Installed

The PIR Motion sensor detects the movement of humans and animals within their range. In order to prevent false alarms, we recommend that you do not install any motion sensor in the following areas:

Do not install any PIR motion sensor in the following areas:

- Where there is a device that causes rapid temperature change or rapid heat transfer. For instance, near an air conditioner, fire place, heater or other intermittent heat sources.
- Where the sensor will be exposed to direct sunlight.
- Near large electrical devices and/or high output radio frequency sources, like a refrigerator, microwave, computer, or light dimmer.
- Where the effective range of the sensor is covered or blocked by furniture.
- Where pets enter and exit freely, for instance - a cat or dog door.
- Directly opposite any large object with flat reflecting properties, like large windows or mirrors.
- In a bathroom or other area that is exposed to moisture and extreme temperature change.

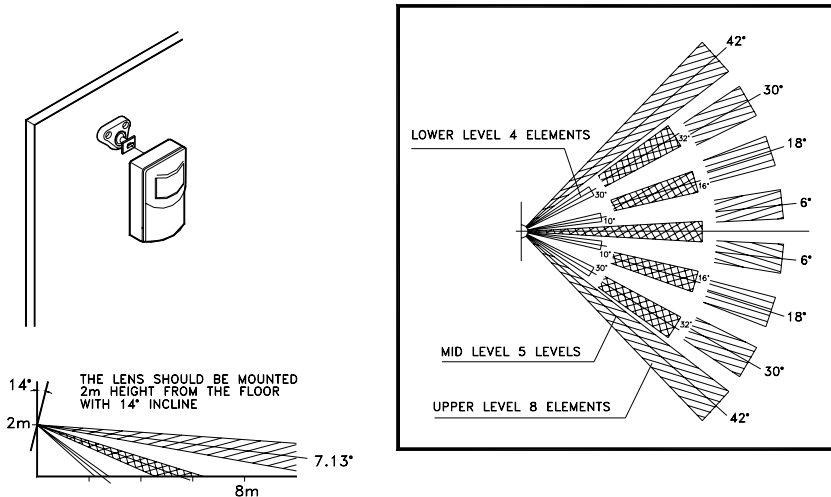
Installing the PIR Motion Sensor

Before installing the sensor, consider the following points:

- Mount the sensor two meters (6-1/2') high for best coverage.
- Mount the sensor with a 14 degree downward incline angle against the wall for optimum range.

To install the PIR Motion Sensor, please follow these steps:

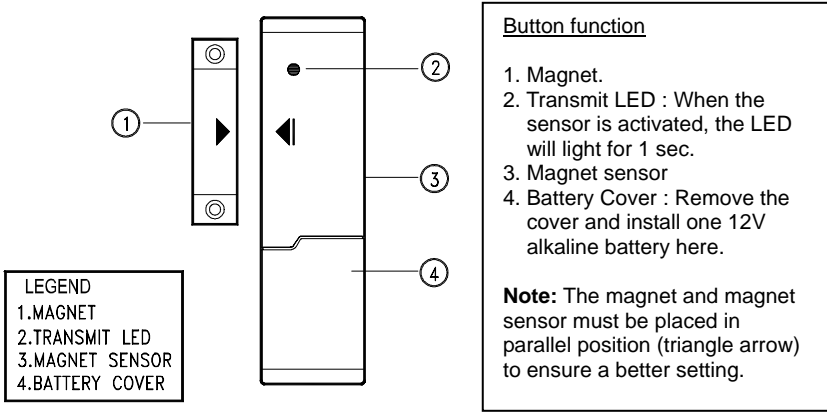
- Take out the screws or double sided adhesive and install the mounting bracket on the wall. Press the ball joint portion into the bracket until it snaps securely. (Secure the mounting bracket on the wall, 2 meters above the floor).
- Place the PIR sensor on the mounting bracket.
- Test the PIR sensor by walking within its range. When the sensor is triggered, the red LED light will flash once for 1 second.



Door/Window Detector

The magnetic Door/Window detector is a contact sensor, and should be applied on a door or window. When the magnetic contact is opened (broken) or the battery is low, the sensor will send out a message to the main console. A message on the triggered sensor can be seen on the Main Console's LCD display.

Door/Window Detector (for DC 12V battery)



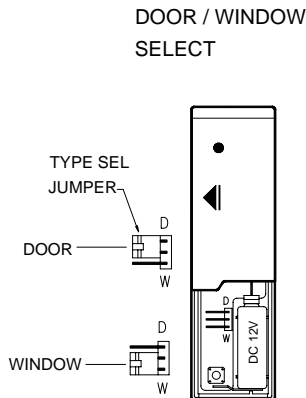
Change the Battery

When the sensor sends a low battery message to the main console, remove the old battery and replace it with a fresh alkaline battery. The low battery message on the LCD is shown below

63 WINDOW SENSOR
01 Low battery

Zone address setting

You can set the sensor as “ Door “ or “ Window “ detector by using the jumper selector. If you want to set the sensor as a Door sensor, put the Jumper on the “D” side. (If the set Jumper is on the “W” side, the sensor becomes a Window sensor).



Notes on the Door/Window Detector

1. The LED on the sensor will flash once when the sensor is triggered.
2. There cannot be a gap greater than 1/4 inch (5 mm) between the magnet sensor and the magnet, otherwise, the sensor will not work properly.

Enter the installer password and press the “1” button to activate the “Sequence Programming Menu”. Take the magnet away from the magnet sensor. It will trigger the sensor and the LED will light for 1 sec. The Main Console will emit one ‘Beep’ and the LCD will display, ‘Sensor Added’. The sensor has programmed into the main console successfully.

LCD display on the Main Console for Door/Window Detector

When the system is in the armed mode. (message shown on main console)

- Window opened

<p>63 WINDOW SENSOR 01 Open</p>

- Door opened

<p>63 DOOR SENSOR 01 Open</p>

When the system is in the process of arming, and the sensor has been opened prior to the arming. (message shown on main console)

- Window opened

<p>63 WINDOW SENSOR 01 Open</p>

- Window battery cover opened

<p>63 WINDOW SENSOR 01 Tamper</p>

- Door battery cover opened

<p>63 DOOR SENSOR 01 Tamper</p>

Installing the Door/Window Detector

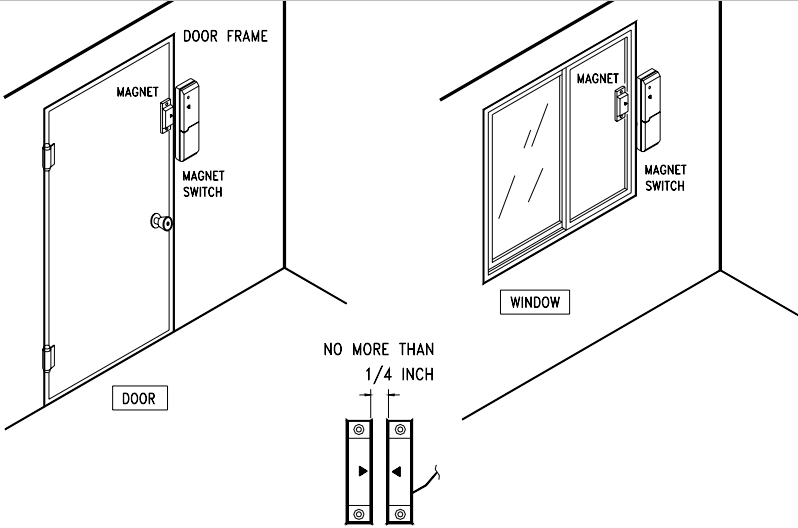
Installing for(DC 12V Detector):

To install a Door/Window Detector, follow these steps:

1. Before installing the sensor, ensure the sensor has programmed into the main console successfully
2. Apply double sided adhesive tape to the back of the sensor.
3. Find the arrow embossed on the sensor, just below the LED light. Find a similar arrow on the magnet. Before exposing the adhesive backing, align the two arrows on the surface where you want them installed. Check that both parts of the device fit and that they can be mounted with a gap less than 1/4 inch between them.(refer to the picture below).
4. Reconfirm the setting on the main console, Press the CHECK button, and then open the window. The main console will receive the sensor signal and leave a message on the LCD display for about 2 seconds. **Note:** Checking this will require two people

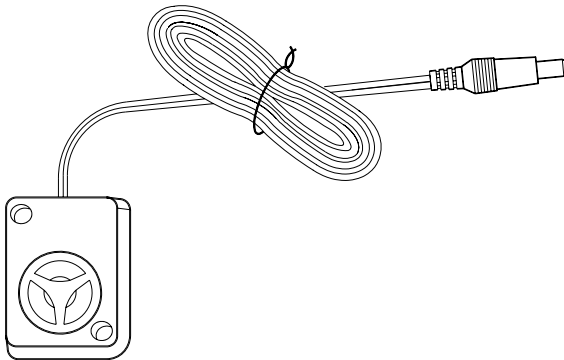
INSTALLING POSITION REFERENCE FOR DOOR/WINDOW DETECTOR

Mini Siren



The siren is an effective deterrent to intruders. Choose a location inside your home where the siren is not plainly visible, but can be heard throughout the house. It is important to install the siren where the cable can be hidden, and discreetly out of reach of potential intruders (or anyone likely to tamper with the system.)

When the siren is installed and the system is set to Arm, it will emit a piercing 110 decibel siren, once a sensor/detector activates the alarm.



1. Plug the wire into the control panel OUTPUT JACK
2. Cord length – 8 meters.
3. Loudness output – 110 db.
4. Dimensions – 3.7 x 4.5 x 2 (cm)
5. Weight – 120g (including the cord)

Summary of Program – Main Console

Use the following form to record your programming choices for future reference.

Item	Descriptions			
Install Code				
Master Code				
Exit Time				
Alarm Time				
Entry Time				
Auto-dialing Mode				
Preset Telephone No. for Auto-dialing :				
No. 1	Name		Tel. No.	
No. 2	Name		Tel. No.	
No. 3	Name		Tel. No.	
No. 4 (Burglary Emergency)	Name		Tel. No.	
No. 5 (Fire Emergency)	Name		Tel. No.	
No. 6 (Help Emergency)	Name		Tel. No.	

Summary of Sensors and Zone Settings

Use the following form to record the setting detail of sensors

Learning Number	Place of Installation	Zone Label	Learning Number	Place of Installation	Zone Label
05	2F-xx room	Window 1			

Learning Number	Place of Installation	Zone Label	Learning Number	Place of Installation	Zone Label
01			33		
02			34		
03			35		
04			36		
05			37		
06			38		
07			39		
08			40		
09			41		
10			42		
11			43		
12			44		
13			45		
14			46		
15			47		
16			48		
17			49		
18			50		
19			51		
20			52		
21			53		
22			54		
23			55		
24			56		
25			57		
26			58		
27			59		
28			60		
29			61		
30			62		
31			63		
32					

Specifications

Items	Specifications
Frequency	- 303Mhz or 433Mhz
Power Source	- AC120V, DC 12V
Power Consumption	- 70mA (idle), 170mA (activated)
Back-up Battery (Optional)	- Approximate 7 hours (NO AC adaptor)
Temperature Range	- 0°C 40°C
RF Range	- 100 feet in open air space
Security Code	- Hopping code
Alarm Activation Time	- 1~255 seconds (available alarm time setting)
Dialing Type	- Tone
Voice Message Playing Time	-Total 25 seconds
Preset Telephone Numbers	- 6 phone numbers, 20 digits for each number
Material	- ABS
Weight	- 650 g
Dimensions	- 26 cm X 17 cm X 3.5 cm

Installation Template

“Installation template for wall mounting of main control panel”

1. Use the template on the right to mark positions for mounting screws to install the main control panel on the wall.
2. Once the mounting screw positions have been marked, drill 3/16” pilot holes and install the plastic wall anchors supplied.
3. Install the mounting screws into the plastic wall anchors so that the heed of the screw extends approximately 1/4” from the wall.
4. Remove the rubber/plugs located at the top 2 holes on the bottom of the main control panel, and line up these holes with the mounting screw heads. Slide the main control panel over the mounting screws and gently push down onto the screws so that it is secure.



It's all on the web

 **Product Information**

 **Specification Sheets**

 **User Manuals**

 **Software Upgrades**

 **Quick Start Guides**

 **Firmware Upgrades**



VISIT
www.lorexcctv.com

www.lorexcctv.com

Lorex Technology Inc.