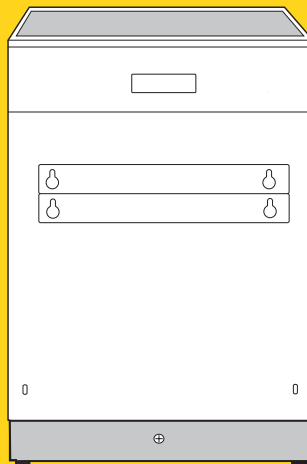


ZANUSSI

DISHWASHER ZT 685





Important safety information

It is most important that this instruction book should be retained with the appliance for future reference. Should the appliance be sold or transferred to another owner, or should you move house and leave the appliance, always ensure that the book is left with the appliance in order that the new owner can get to know the functioning of the appliance and the relevant safety information.

This information has been provided in the interest of your safety. You MUST read it carefully before installing or using the appliance.

Installation

- This appliance is heavy. Care should be taken when moving it.
- It is dangerous to alter the specifications or attempt to modify this product in any way.
- Care must be taken to ensure that the appliance does not stand on the electrical supply cable.
- Any electrical work required to install this appliance should be carried out by a qualified electrician or competent person.
- Any plumbing work required to install this appliance should be carried out by a qualified plumber or competent person.

Child Safety

- This appliance is designed to be operated by adults. Children should not be allowed to tamper with the controls or play with the product.
- Keep all packaging well away from children.
- Keep all detergents in a safe place out of children's reach.


During Use

- Items that are contaminated by petrol, paint, steel or iron debris, corrosive, acidic or alkaline chemicals must not be washed in this dishwasher.
- Under no circumstances should you open the door whilst the appliance is in operation. Always turn off the appliance before opening the door.
- Only use detergent specifically designed for use in dishwashers.
- Long blades knives stored in an upright position are a potential hazard.
- Long and/or sharp items of cutlery such as carving knives must be positioned horizontally in the upper basket.

- When finishing loading or unloading close the door, as an open door can be a hazard.
- Do not sit or stand on the open door.
- Isolate the appliance from the power supply and turn off the water supply after use.
- Care should be taken when cleaning the bottom door seal and hinge area as any exposed metal edges may cut if care is not taken.
- This product should be serviced by an authorised Service engineer, and only genuine spare parts should be used.
- Under no circumstances should you attempt to repair the machine yourself. Repairs carried out by inexperienced persons may cause injury or serious malfunctioning. Contact your local Service Force Centre. Always insist on genuine spare parts.

Conservation

In the interest of the environment:

- Materials marked with the symbol  are recyclable.
- Check with your local Council or Environmental Health Office to see if there are facilities in your area for re-cycling this appliance.
- When the appliance is to be scrapped, cut off the power supply cable and make the door closing device unusable to prevent young children from being trapped inside.
- Help to keep your country tidy - use authorised disposal sites for your old appliance.

Contents

For the user

Important safety information	2
Guide to use the instruction book	3
Description of the appliance	4
The control panel	5
Before use	6
Setting the water softener	6
Rinse aid	8
Use of detergent	9
Using your appliance	11
Loading your appliance	11
Adjusting the height of the upper basket	13
Hints and tips	14
Washing programmes	15
Operating sequence	16
Maintenance and cleaning	17
Internal cleaning	17
Cleaning the central filter	17
Cleaning the large filter	17
External cleaning	18
Prolonged periods of non-operation	18
Frost precautions	18
Moving the machine	18
Something not working	19
Service and spare parts	21
Guarantee Conditions	22

For the installer

Installation instruction	23
Technical specifications	23
Water supply connections	24
Water outlet connection	25
Electrical connection	26
Building-in	27
Adjusting the height of the appliance	27
The furniture door	28
Securing to the adjacent units	29
Noise protection	30
Kitchen plinth adjustment	30

Guide to use the instruction book

The following symbols will be found in the text to guide you throughout the instructions:



Safety instructions

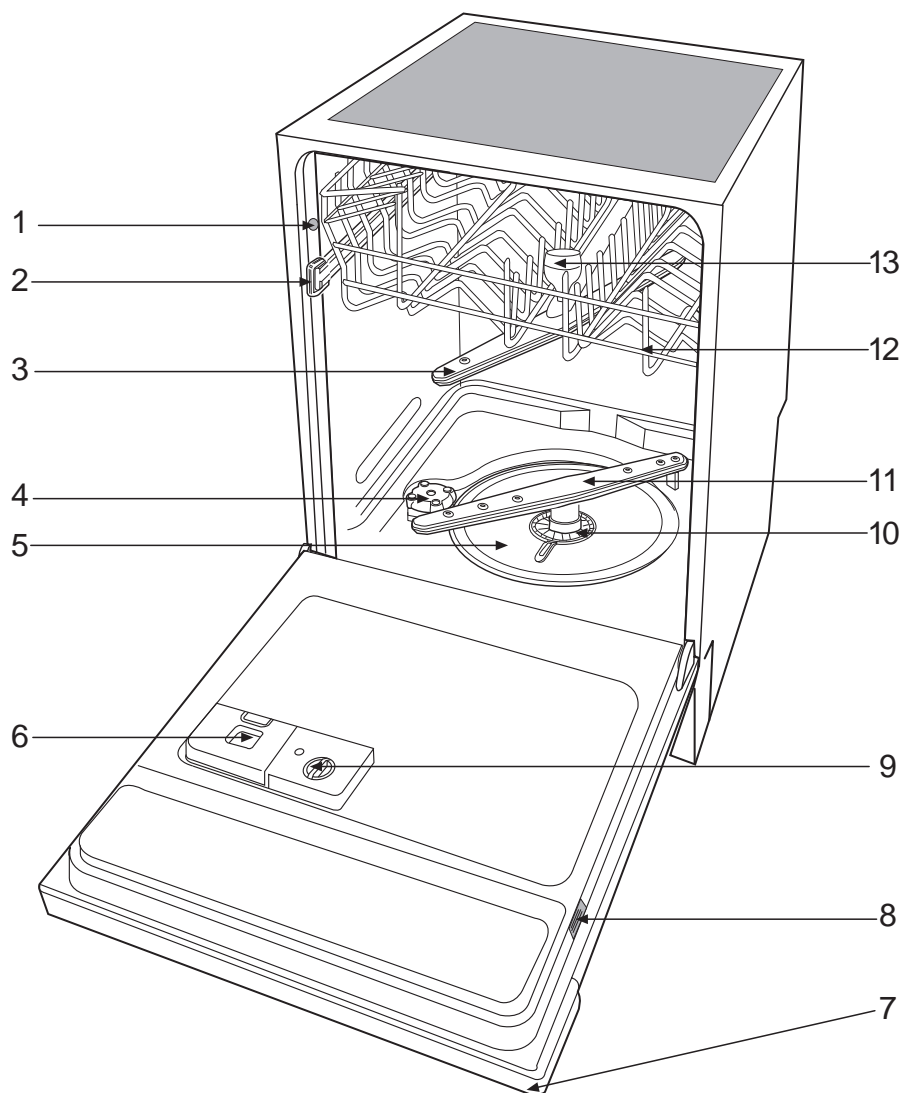


Step by step instructions



Hints and tips

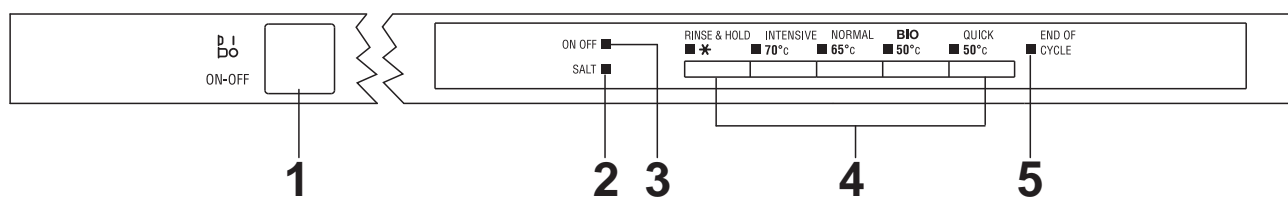
Description of the appliance



IN84

- | | |
|-------------------------------|--|
| 1 Levelling spacers | 9. Rinse aid dispenser |
| 2. Upper basket stop | 10. Central filter |
| 3. Upper spray arm | 11. Lower spray arm |
| 4. Salt container | 12. Upper basket |
| 5. Large filter | 13. SID (Super Intensity Dispenser) |
| 6. Detergent dispenser | |
| 7. Control panel | |
| 8. Rating plate | |

The control panel



In this fully integrated appliance the controls are located on the top of the door. When selecting a programme, the door needs to be open.

Audible signals have been introduced to help indicate which operations the dishwasher is performing.

Short signal "instruction accepted"

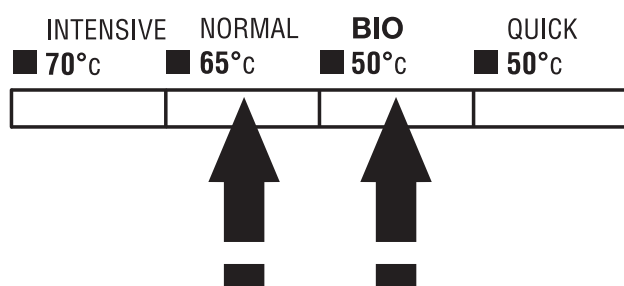
When any of the buttons are pressed: a short audible signal informs you that the machine has accepted the instruction given.

Long signal "programme starting"

A continuous audible signal lasting about one second, heard only when you close the dishwasher door, informs you that the washing programme is starting.

Intermittent signal "end of programme"

An intermittent audible signal, lasting for approximately five seconds, informs you that the wash programme has finished. If you wish to deactivate these audible signals, press both the "NORMAL 65°C" and "BIO 50°C" programme buttons together for about 3 seconds, until the intermittent audible signal can no longer be heard.



SO234

To reactivate the audible signals, press both buttons together again for about 3 seconds, until an intermittent audible signal is heard.

1. On/Off pushbutton

Depress this button to switch the dishwasher on. The On/Off indicator light illuminates indicating that the washing programme can be selected and started. Depress again this button to switch the appliance off.

2. Salt refill indicator light

This illuminates when the salt container needs refilling. This light will remain on if salt is not added - for example in a soft water area, where salt is not required.

3. On/Off indicator light

4. Programme selector buttons

Depress the button corresponding to the desired washing programme (see "Washing programmes" chart).

5. End of cycle indicator light

This light flashes when the programme has finished. To switch it off depress the On/Off button.

Before use

Before using your dishwasher for the first time:

- ☞ ensure that the electrical and water connections comply with the installation instructions
- ☞ remove all packaging from inside the appliance
- ☞ set the water softener
- ☞ fill the salt container
- ☞ fill the rinse aid dispenser.

Setting the water softener

The dishwasher is equipped with a water softener designed to remove minerals and salts from the water supply, which would have a detrimental or adverse effect on the operation of the appliance.

The higher the content of these salts, the harder your water is.

Water hardness is measured in equivalent scales, Clarke degrees and French degrees.

The softener should be adjusted according to the hardness of the water in your area. Your local Water Authority can advise you on the hardness of the water in your area.

If your water is "level 0" it is already soft and therefore there is no need to use salt. (In this case the salt refill indicator light will remain illuminated).

The dishwasher is factory set at level 2.

If this level is not suitable for your area the softener should be adjusted.

You may change the factory setting level setting by means of the wash programme selector buttons. Each button corresponds to a different level (see chart).

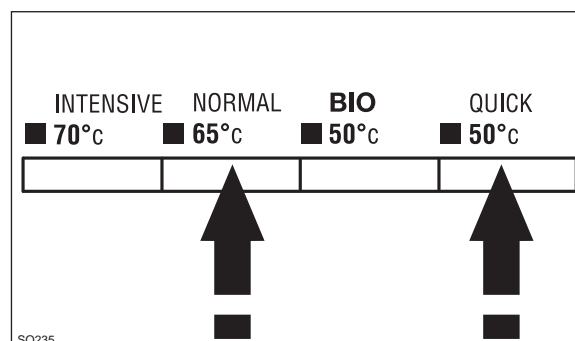
☞ **To select a different level proceed as follows:**

- Press the "NORMAL 65°C" and "QUICK 50°C" programme buttons simultaneously for about 5 seconds until the short signal "instruction accepted" is heard. The pilot light corresponding to the current level (level 2) flashes very rapidly.
- Press the programme button corresponding to the required level.
- 5 seconds after having last pressed any of the programme buttons, the dishwasher memorises the level selected and returns to the programme setting mode.

Water hardness		Level	Use of salt
Clarke degrees	French degrees		
0 ÷ 5	0 ÷ 7	0	NO
6 ÷ 17	8 ÷ 20	1	YES
18 ÷ 28	21 ÷ 40	*2	YES
29 ÷ 42	41 ÷ 60	3	YES
43 ÷ 63	61 ÷ 80	4	YES
64 ÷ 84	81 ÷ 120	5	YES

* factory setting

Level 1	"RINSE AND HOLD" programme button
Level 2	"INTENSIVE 70°C" programme button
Level 3	"NORMAL 65°C" programme button
Level 4	"BIO 50°C" programme button
Level 5	"QUICK 50°C" programme button



Filling with salt

If your water is "level 0" it is already soft and therefore there is no need to use salt. (In this case the salt refill indicator light will remain illuminated).

Salt must be used from "level 1" upward.



Only use salt specifically designed for use in dishwashers.

All other types of salt not specifically designed for use in dishwasher, especially table salt, will damage the water softener.

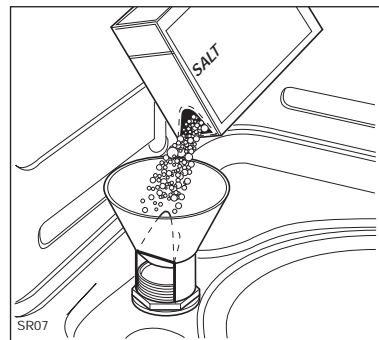
Only fill with salt just before starting one of the complete washing programmes (not the Rinse and Hold programme). This will prevent any grains of salt or salty water, which may have been spilled, remaining on the bottom of the machine for any period of time, which may cause corrosion.



To fill:

1. To fill with salt, unscrew the cap of the salt container.
2. Pour about 1 litre of water inside the container, or until it is full (this is necessary only before filling with salt for the first time).
3. Then using the funnel provided, pour in the salt until the container is full (approx. 1.5 - 1.8 kg).
Do not worry if water over flows from the unit when filling with salt, this is quite normal.
4. Replace the cap making sure that there is no trace of salt on the screw thread or on the gasket.
5. Screw on the cap tightly.

The salt container will require topping up periodically. You are reminded of this by the "Salt refill indicator light" on the control panel which comes on when the salt has finished.



The "Salt refill indicator light" on the control panel can remain illuminated for 2-6 hours after the salt has been replenished, assuming the dishwasher remains switched on. If you are using salts that take longer to dissolve then this can take longer. The function of the machine is not affected.

Rinse aid

Rinse aid is automatically added during the last rinse, ensuring thorough rinsing, spot and streak free drying. The dispenser, which is positioned inside the door, holds about 110 ml of rinse aid, which is sufficient for 16 - 40 dishwashing programmes, depending upon the dosage setting.

Filling with Rinse Aid:

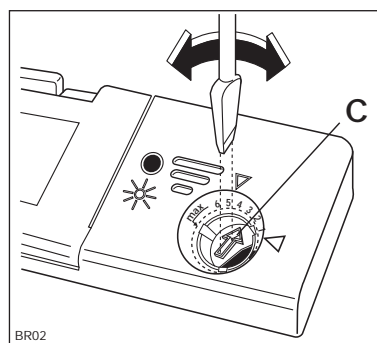
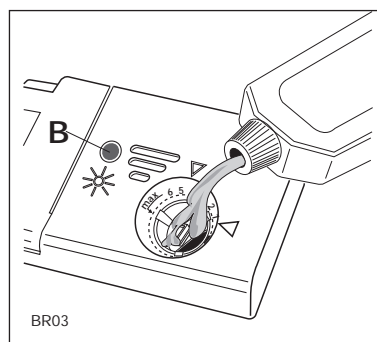
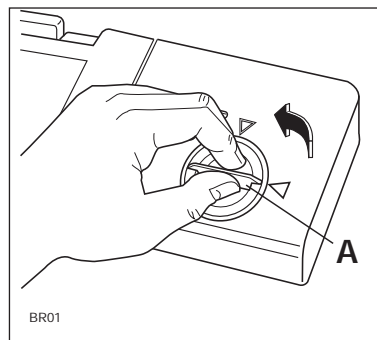
1. Open the container by turning the lid (A) anticlockwise.
2. Add the rinse aid until the container is completely full (approx. 110 ml). The indicator (B) will be completely dark.
3. Top up the rinse aid when the indicator (B) becomes clear.

Ensure that the lid is closed after every refill.

Do not put liquid detergent in the rinse aid department. Clean up any rinse aid spilt during filling with an absorbent cloth to avoid excess foaming during the next wash.

Adjusting the dose

According to the finish and drying results obtained, adjust the dose of rinse aid by means of the 6 position selector (C) (position 1 minimum dosage, position 6 maximum dosage). (Start from position 3). Gradually increase the dose if there are drops of water or lime spots on the dishes after washing. Reduce it if there are sticky whitish streaks on the dishes.



Use of detergent

i Only use detergents specifically designed for use in dishwashers.

We recommend the use of Finish detergents which are available in the following options:

Finish Double Action Tablets. Each tablet has the exact amount of detergent required, simply place in the dispenser.

Finish Powder recommended for every day use.

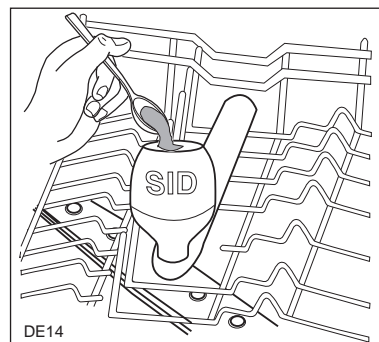
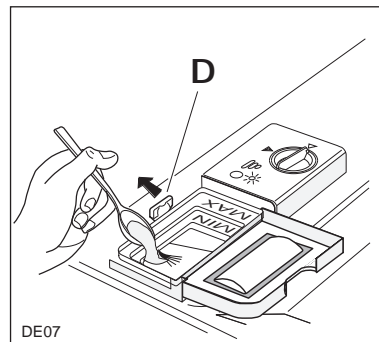
Finish Liquid Gel ideal for every day use. As the gel is extra gentle is it recommended for fine bone china.

To fill the dishwasher with detergent proceed as follows:

1. Open the dispenser lid by pulling the catch (D).
2. Add the detergent according to the recommendations in the programme chart. As all detergents are not the same, you should also consult the instructions on the packet. To help correctly dose the right amount of detergent, inside the container there are two reference marks:
 - MIN = 15 ml
 - MAX = 30 ml
3. Always close the lid.
4. If the programme has a prewash add the required detergent in the "SID" located in the centre of the upper basket.

Insufficient quantities of detergent will produce poor washing results, whereas an excessive amount of detergent will not improve washing results and is also wasteful.

Using no more than the correct amount also contributes to reducing pollution.



Compact detergents with enzymes

In these compact powders the environmentally unfriendly components have been replaced by natural enzymes and other more biodegradable substances.

The enzymes deploy their full dirt dissolving power at a temperature as low as 50°C.

By choosing the "Bio" programmes you can therefore achieve the same cleaning results that would otherwise be achievable only with 65°C programmes and conventional detergents.

For best results we recommend the use of Finish detergents, rinse aid and salt.



DE15

Using your appliance

Loading your appliance

Before placing dishes in the machine, remove any scraps of food, to avoid clogging the filters and consequently reducing the performance.

i Do not load very small items which can fall through the baskets.

Open the door and slide out the baskets to load the dishes.

The lower basket

The lower basket is designed to take saucepans, lids, plates (up to 27 cm in diameter), salad bowls, cutlery etc.

Serving dishes and large lids should be arranged around the edge of the basket, ensuring that the upper spray arm can turn freely.

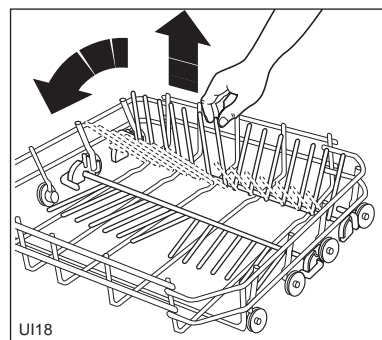
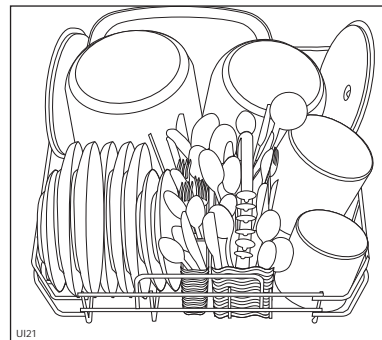
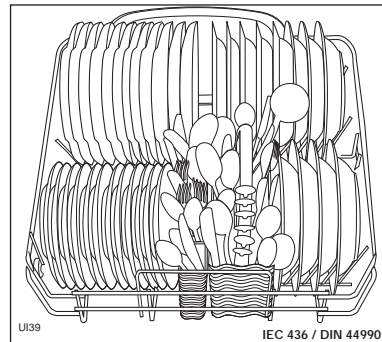
The two rear rows of prongs on the lower basket can be easily lowered to allow you to load pots, pans and bowls.



To lower the prongs:

Slightly pull them upward and let them drop down (see picture)

To bring them back to the standing position, just pull them up again.



The cutlery basket

 **Long bladed knives stored in an upright position are a potential hazard.**

Long and/or sharp items of cutlery such as carvings knives must be positioned horizontally in the upper basket.

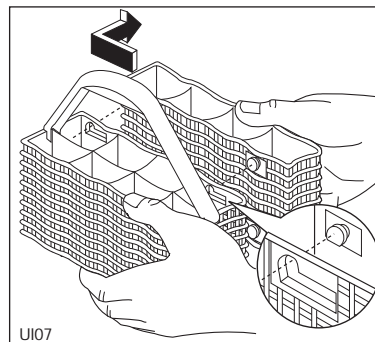
Take care when loading or unloading sharp items such as knives.

Cutlery should be placed in the removable cutlery basket with the handles facing downwards. If the handles protrude from the bottom of the basket, obstructing the lower spray arm, load the cutlery with the handles facing upwards.

Mix spoons with other cutlery to prevent them from sticking together.

Silver cutlery tends to go black if mixed with steel cutlery. Place it in the cutlery basket separate from the others.

The cutlery basket is in two parts which can be separated to give greater loading flexibility. To separate the two parts, slide them horizontally in opposite directions and pull them apart. To reassemble, reverse the procedure.



The upper basket

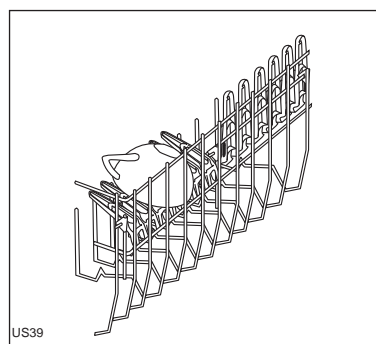
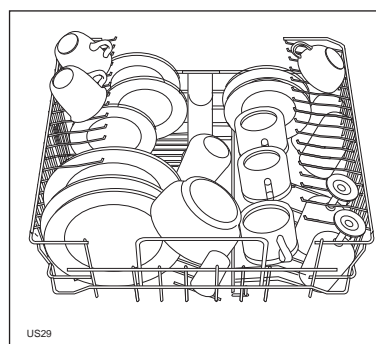
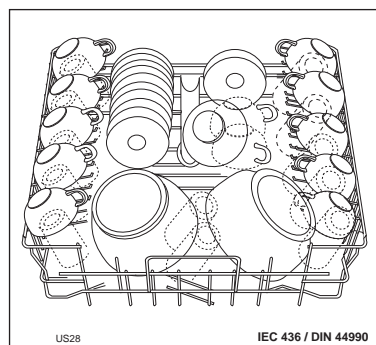
The upper basket is designed for plates (dessert plates, saucers, dinner plates of up to 24 cm in diameter), salad bowls, cups and glasses.

Light items (plastic bowls etc.) should be loaded in the upper basket and arranged so they do not move.

Arrange items on and underneath the fold-down cup racks so that water can reach all surfaces. For taller items, the cup racks can be folded upwards. Long-stem glasses can then be suspended from the prongs of the cup racks.

i Before closing the door, ensure that the spray arms can rotate freely.

! After loading or unloading your machine always close the door, as an open door can be a hazard.



Adjusting the height of the upper basket

If washing very large plates (over 27 cm and up to 31 cm in diameter) you can load them in the lower basket after moving the upper basket to the higher position.

To move to the higher position proceed as follows:

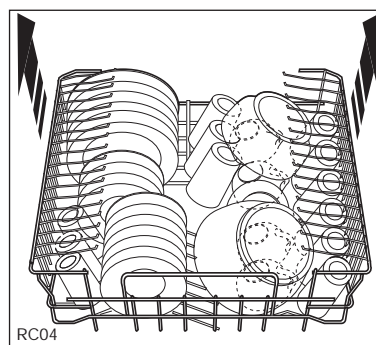
1. Pull out the basket until it stops.
2. Carefully lift both sides upwards until the mechanism is engaged and the basket is stable.

i When the top basket is in the higher position it will only take plates up to 20 cm in diameter and you will not be able to use the raised cup racks.

To lower the basket to the original position:

1. Pull out the basket until it stops.
2. Carefully lift both sides upwards and then allow the mechanism to drop back down slowly, keeping hold of it.

Never lift or lower the basket on one side only.



Hints and tips

To save energy

Place dishes in the machine immediately after every meal and wait until the dishwasher is full before washing.

If necessary run the Rinse and Hold programme (see "Washing Programmes" chart on the following page), so that any food scraps do not become caked on the dishes while you are waiting to run the complete wash programme.

Do not prewash dishes under running water.

For best washing results:

Before loading remove all scraps of food and soak very heavily soiled pots and pans.

Arrange saucepans, cups and glasses etc. upside-down.

Tilt items with convex or concave surfaces so that the water drains off easily.

Avoid contact between the dishes as far as possible.

You will improve drying results by leaving the dishwasher door ajar for at least 15-30 minutes as soon as the programme finishes.

Wait a few minutes before removing the dishes; in this way they will be cooler and the drying will be improved.

Empty the lower basket first and then the upper one; this will avoid water dripping from the upper basket onto the dishes in the lower one.

Items not suitable for dishwashers:

The following items should not be washed in the dishwasher (unless they are sold as dishwasher proof):

- Cutlery with wooden or horn handles or glued parts
- bronze cutlery
- saucepans with wooden handles
- aluminium ware
- crystal ware
- leaded glass
- plastic items
- antique or fine decorated china

Certain types of decoration can discolour when washed in a dishwasher.

Crystal-ware and plastic objects, if not guaranteed dishwasher proof should be washed by hand.

Certain types of glass can also become opaque after being washed several times in a dishwasher.

A chemical reaction can occur between silver cutlery and stainless steel cutlery. As a precaution, do not wash together.

Iron and cast iron objects can rust and stain other items.

Aluminium tends to go black, copper, pewter and brass tend to stain.

***i* If in doubt check with manufacturer of the item.**

***i* When buying new dishes, ensure that they are dishwasher proof.**

Washing programmes

Programme	Degree of soil and type of load	Required pushbuttons	Recommended quantity of detergent		Cycle description	
			in the dispenser	in the SID		
RINSE & HOLD	Any. Partial load (to be completed later in the day).	ON OFF	RINSE & HOLD	/	/	1 cold rinse
INTENSIVE 70°C	Heavy soil. Crockery, cutlery pots and pans	ON OFF	INTENSIVE 70°C	25 g	10 g	Prewash up to 55°C Main wash up to 70°C 2 cold rinses 1 hot rinse up to 65°C Thermal dry
* NORMAL 65°C	Normal soil. Crockery and cutlery	ON OFF	NORMAL 65°C	25 g	5 g	Cold prewash Main wash up to 65°C 1 cold rinse 1 hot rinse up to 65°C Thermal dry
* BIO 50°C	Normal soil. Crockery and cutlery	ON OFF	BIO 50°C	25 g	5 g	Cold prewash Main wash up to 50°C 1 cold rinse 1 hot rinse up to 65°C Thermal dry
** QUICK 50°C	Light soil. Crockery and cutlery	ON OFF	QUICK 50°C	25 g	/	Main wash up to 50°C 1 cold rinse 1 hot rinse up to 55°C

*** Testing programme according to IEC 436/DIN 44990**

Programme "NORMAL 65°C" with detergent type A and programme "BIO 50°C" with detergent type B;

Standard place settings: 12.

Rinse aid selector on position 3.

Recommended quantity of detergent: 25 g in the dispenser
5 g in the SID.

****** This is a special programme for quick washing (approx. 40 minutes) a full load of lightly soiled crockery etc.

Operating sequence

1. Check the filters

Ensure they are clean and properly positioned (see cleaning instructions).

2. Check that there is rinse aid and salt

3. Load the dishes

Remove any scraps of food.
Pull the lower basket out and arrange the saucepans, plates and cutlery in it.
Pull the upper basket out and arrange the plates, saucers, glasses and cups etc. in it.
Slide the basket back into the machine.

4. Ensure that the spray arms can rotate freely.

5. Measure out detergent

Add the required amount of detergent into the dispenser according to the "Washing programmes" chart and close the lid.

6. Close the detergent dispenser lid

7. Select the programme

The selection of a programme occurs with the door partially opened.
Depress the On/Off button; the On/Off indicator light comes on.
Depress the programme button which corresponds to the washing programme you wish to select; the corresponding indicator light will flash.

8. Start the programme

Close the dishwasher door. An audible signal of about 1 second advises you that the programme has started. The indicator light which corresponds to the programme under way is now permanently on.

9. At the end of the washing programme


The dishwasher will automatically stop and an intermittent audible signal of about 5 seconds informs you that the programme has finished. Wait until the end of the signal before opening the door.


10. Switch off the dishwasher


Open the door.
The "End of cycle" indicator light flashes.
Depress the On/Off button to switch the dishwasher off.

11. Cancel the wash programme

To change a wash programme in progress depress the button corresponding to the programme you wish to cancel for about 1 second, until the relevant control light goes out. The dishwasher is now reset and you can select a new programme.

 **In general it is not advisable to open the door while the machine is working. If the door is opened however, a safety device ensures that the machine stops.**

 **Care must be taken if the door is opened during the hot phase or immediately after a programme has finished, as steam may escape.**

 **When the wash programme has finished, it is recommended that the dishwasher is unplugged and the water tap turned off.**

Maintenance and cleaning

Internal cleaning

Ensure that the seals around the door, the detergent and rinse aid dispensers are cleaned regularly with a damp cloth.

We recommend the use of Finish Dishwasher Cleaner every 3 months or run a 65°C wash without dishes using detergent. Regular use of Finish Dishwasher Cleaner cleans inaccessible parts, eliminates unpleasant food odours and helps prevent the build-up of limescale.

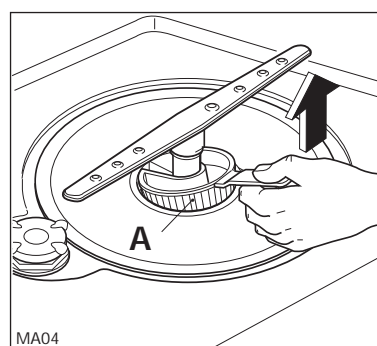
Cleaning the central filter

(After each wash)

Scraps of food may accumulate in the drain filter (A) and should be removed by rinsing the filter under running water.

 **To remove the drain filter:**
simply pull it out by the handle.

Once cleaned, refit the filter by pushing it back to its original position until it engages.



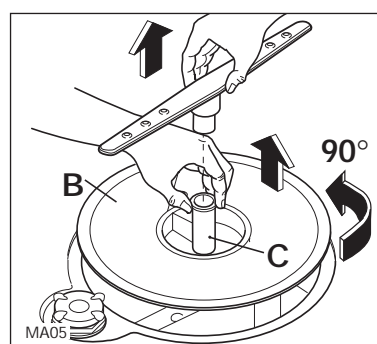
Cleaning the large filter

(Every two months)

If necessary clean the large filter (B) on both sides under running water, using a brush.

 **To remove the large filter**

1. Remove the spray arm by pulling it upwards on one side.
2. Turn the column (C) anticlockwise by 90° and then slide out the filter.
3. Once cleaned refit it following the above instructions in reverse order.
4. Ensure the filter is in its original position, the handle of the drain filter should be pointing towards the front of the appliance.



 **The dishwasher must not be used without filters.**

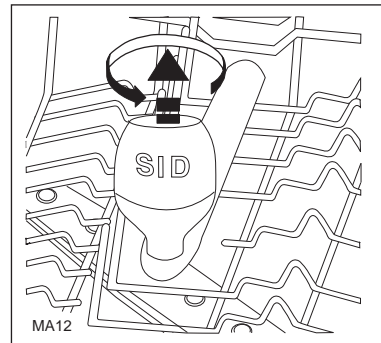
Incorrect repositioning and fitting of the filters will produce poor washing results.

Cleaning the filters is vital to ensure correct operation of the machine.

Check that the SID is not clogged with detergent residue. If necessary, rinse it under running water after having removed it from the basket by twisting it anticlockwise and pulling it upwards.

Fasten it back onto the support by turning it clockwise.

i **Never use your dishwasher without the SID dispenser.**



External cleaning

Clean the external surfaces of the machine and control panel with a damp soft cloth. If necessary use only neutral detergents. Never use abrasive products, scouring pads or solvent (acetone, trichloroethylene etc....).

Prolonged periods of non-operation

If you are not using the machine for any period of time you are advised to:

1. Unplug the appliance and then turn off the water;
2. Fill the rinse aid dispenser;
3. Leave the door ajar to prevent the formation of any unpleasant smells;
4. Leave the inside of the machine clean.

Frost precautions

Avoid placing the machine in a location where the temperature is below 0°C. If this is unavoidable, empty the machine, close the appliance door, disconnect the water inlet pipe and empty it.

Moving the machine

If you have to move the machine (moving house etc....):

1. Unplug it;
2. Turn the water tap off;
3. Remove the water inlet and discharge hoses;
4. Pull the machine out together with the hoses.

Avoid over tilting the machine during transport.

Something not working

Certain problems are due to lack of simple maintenance or oversights, which can be solved easily without calling out an engineer. Before contacting your local Service Force Centre, please carry out the checks listed below.

The dishwasher is fitted with a number of alarm systems which can help you quickly determine the cause of any problems.

If the "On/Off" indicator light on the control panel is off and you see the following signals, carry out the suggested corrective action:

- switch off the dishwasher, switch back on and start the wash programme.

If the fault code reappears, contact your local Service Force Centre.

Important: If you call out an engineer to a fault listed below or to repair a fault caused by incorrect use or installation a charge will be made even if the appliance is in guarantee.

Symptom	Fault code	Solution
The machine will not start		<ul style="list-style-type: none"> ■ The On/Off button has not been pressed. ■ The door has not been properly closed. ■ The plug is not properly inserted in the power socket. ■ Check the plug fuse. ■ There is no current at the socket.
The dishwasher does not fill with water	"Rinse & Hold" programme light flashing very fast	<ul style="list-style-type: none"> ■ Ensure the water tap is open. ■ Ensure the mains water supply has not been cut off. ■ The inlet hose may be squashed or bent. Reposition the hose. ■ The inlet hose may be blocked. Switch off the water supply, and clean the filter.
The filters are blocked	"Intensive" programme light flashing very fast	<ul style="list-style-type: none"> ■ Clean the filters (refer to "Maintenance and cleaning"). ■ The spray arms are not rotating. Ensure the crockery is loaded correctly.
The dishwasher will not drain	"Quick" programme light flashing very fast	<ul style="list-style-type: none"> ■ The drain hose may be squashed or bent. Reposition the hose. ■ The sink may be blocked. Clear any blockages. ■ The drain hose extension is not correct. Follow the instructions for connecting to the waste. ■ There is no vent in the end of the drain hose.
	"Normal" or "Bio" programme light flashing very fast	<ul style="list-style-type: none"> ■ Switch off the dishwasher. Switch it back on and start the programme. If the alarm reappears, call the local Service Force Centre.
The machine is noisy		<ul style="list-style-type: none"> ■ Dishes are rattling against each other, refer to "Loading your machine". ■ The spray arms are knocking against the dishes. Refer to "Loading your machine".
The door is difficult to close		<ul style="list-style-type: none"> ■ The dishwasher is not level, or not properly built-in.

Symptom	Solution
The dishes are not clean (poor wash)	<ul style="list-style-type: none"> ■ The baskets are too full. ■ The dishes have not been arranged properly. ■ The spray arms do not rotate. ■ The spray arms are clogged. ■ The filters are clogged. ■ The filters are not in position. ■ Not enough detergent has been used or it is unsuitable. ■ The detergent is old or has gone hard. ■ The salt container cap is not properly closed. ■ The washing programme selected is too gentle.
Visible lime deposits or white film on the dishes	<ul style="list-style-type: none"> ■ The rinse aid has run out or too little is being used. ■ Check that there is salt and that the salt cap is tight. ■ Ensure the water softener has been adjusted to suit the water hardness in your area.
The dishes are not quite dry	<ul style="list-style-type: none"> ■ The dishes have been left too long inside the machine.

If after all these checks, the problem persists, contact your local Service Force Centre, quoting the model and serial number. This information can be found on the rating plate located on the right hand side of the dishwasher door (see picture).

Service and spare parts

In the event of your appliance requiring service, or if you wish to purchase spare parts please contact your local Zanussi Service Force Centre by telephoning:

0990 929929

Your telephone call will be automatically routed to the Service Centre covering your post code area. Service Centre addresses can be found in the accompanying Customer Care book.

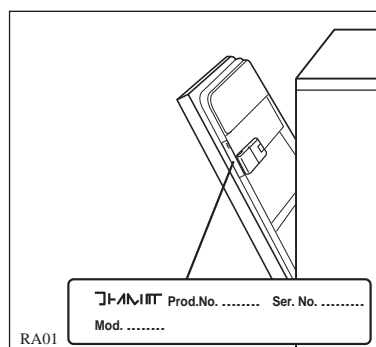
Before calling out an engineer, please ensure you have read the details under the heading “Something Not Working” and have the model number and purchase date to hand.

In-guarantee customers should ensure that the checks under the heading “Something Not Working” have been made as the engineer will make a charge if the fault is not a mechanical or electrical breakdown. Please note that it will be necessary to provide proof of purchase for any in-guarantee service calls.

Customer Care Department

For general enquiries concerning your Zanussi appliance or for further information on Zanussi products please contact our Customer Care Department by letter or telephone as follows:

Customer Care Department
Zanussi
Zanussi House
Hambridge Road
Newbury
Berkshire
RG145EP
Tel: 01635 521313



Guarantee Conditions

Standard guarantee conditions

We, Zanussi, undertake that if within 12 months of the date of purchase this Zanussi appliance or any part thereof is proved to be defective by reason only of faulty workmanship or materials, we will, at our option repair or replace the same FREE OF CHARGE for labour, materials or carriage on condition that:

- The appliance has been correctly installed and used only on the electricity supply stated on the rating plate.
- The appliance has been used for normal domestic purposes only, and in accordance with the manufacturer's instructions.
- The appliance has not been serviced, maintained repaired, taken apart or tampered with by any person not authorised by us.
- All service work under this guarantee must be undertaken by a Zanussi Service Force Centre.
- Any appliance or defective part replaced shall become the Company's property.
- This guarantee is in addition to your statutory and other legal rights.

Home visits are made between **8.30am** and **5.30pm** Monday to Friday. Visits may be available outside these hours in which case a **premium** will be charged.

Exclusions

This guarantee does not cover:

- Damage or calls resulting from transportation, improper use or neglect, the replacement of any light bulbs or removable parts of glass or plastic.
- Costs incurred for calls to put right an appliance which is improperly installed or calls to appliances outside the United Kingdom.
- Appliances found to be in use within a commercial environment, plus those which are subject to rental agreements.
- Products of Zanussi manufacture which are not marketed by Zanussi.

European Guarantee


If you should move to another country within Europe then your guarantee moves with you to your new home subject to the following qualifications:


- The guarantee starts from the date you first purchased your product.
- The guarantee is for the same period and to the same extent for labour and parts as exists in the new country of use for this brand or range of products.
- This guarantee relates to you and cannot be transferred to another user.
- Your new home is within European Community (EC) or European Free Trade Area.
- The product is installed and used in accordance with our instructions and is only used domestically, i.e. a normal household.
- The product is installed taking in account regulations in your new country.

Before you move please contact your nearest Customer Care centre, listed below, to give them details of your new home. They will then ensure that the local Service Organisation is aware of your move and able to look after you and your appliance.

France	Senlis	+33 (0) 44 62 29 99
Germany	Nuremberg	+49 (0) 911 323 2600
Italy	Pordenone	+39 (0) 1678 47053
Sweden	Stockholm	+46 (0) 8 738 79 50
UK	Newbury	+44 (0) 1635 521313

Installation instructions

 **Any electrical work required to install this appliance should be carried out by a qualified electrician or competent person.**

 **Any plumbing work required to install this appliance should be carried out by a qualified plumber or competent person.**

Ensure the machine is easily accessible for servicing when installed.

Technical specifications

DIMENSIONS	Width Height Max depth Max depth with open door	59.6 cm 81.8 - 87.8 cm 55 cm 111.4 cm
ELECTRICAL CONNECTION MOTOR RATING DURING WASH POWER OF HEATING ELEMENT OVERALL POWER	Voltage	220/240 V - 50 Hz 200 W 2100 W 2300 W
WATER SUPPLY PRESSURE	Minimum Maximum	50 kPa (0.5 bar) 800 kPa (8 bar)
CAPACITY (STANDARD IEC) PLACE SETTINGS		12
CONSUMPTION	Water Electricity	19 l 1.4 kW/h

Remove all packaging before positioning the machine.

If possible, position the machine next to a water tap and a drain.

Water supply connections

This dishwasher must be plumbed into a cold water supply.

The water pressure must be within the limits given in the technical specifications.

Your local Water Authority will advise you on the average mains pressure in your area.

The dishwasher features fill and drain hoses which can be turned either to the left or the right to suit the installation.

The locknut must be correctly fitted to avoid water leaks.

Avoid bends or kinks in the hose which could prevent or slow down the water supply.

If the machine is connected to new pipes or pipes which have not been used for a long time, you should run the water for a few minutes before connecting the inlet hose. This will prevent deposits of sand or rust clogging the inlet hose filter.

Water outlet hose connection

The end of the drain hose can be connected in the following ways:

- A-** To the sink outlet siphon, securing it if necessary with a clip.
- B-** To a wall outlet provided with a vent-hole, minimum internal diameter 4 cm.

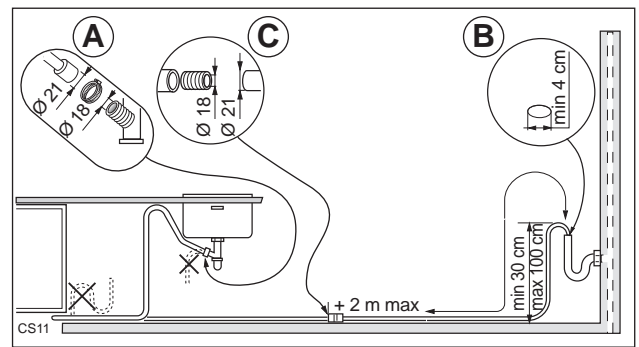
The waste connection must be at a height of between 30 cm (minimum) and 100 cm (maximum) from the floor. It makes no difference which way the drain hose faces, either to the right or left of the dishwasher.

Ensure the hose is not bent or squashed as this could prevent or slow down the discharge of water.

- C-** If you use a drain hose extension it must be no longer than 2 metres and its internal diameter must be no smaller than the diameter of the hose provided.

Likewise the internal diameter of the couplings used for connections to the waste outlet must be no smaller than the diameter of the hose provided.

The sink plug must not be in place when the machine is draining as this could cause the water to siphon back into the machine.



Electrical connection

 **This appliance must be earthed.**

The manufacturer declines any responsibility should this safety measures not be observed.

If the plug that is fitted to your appliance is not suitable for the socket, it must be cut off and the appropriate plug fitted.

Important

The wires on the mains lead are coloured in accordance with the following code:

Green and Yellow	-Earth
Blue	-Neutral
Brown	-Live

If you fit your own plug, the colours of the wires in the mains lead of your appliance may not correspond with the markings identifying the terminals in your plug.

Proceed as follows:

- 1.** Connect the Green and Yellow (earth) wire to the terminal in the plug which is marked with the letter "E" or the earth symbol or coloured green and yellow.
- 2.** Connect the Blue (neutral) wire to the terminal in the plug which is marked with the letter "N" or coloured black.
- 3.** Connect the Brown (live) wire to the terminal in the plug which is marked with the letter "L" or coloured red.

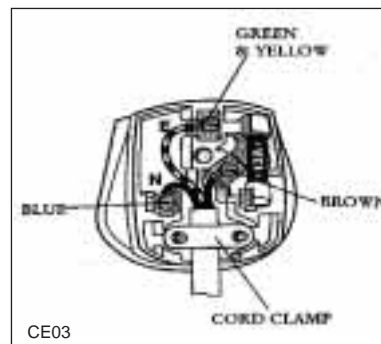
The plug moulded onto the lead incorporates a 13amp BSI362 fuse. Only ASTA or BSI fuses should be used.

The plug must not be used if the fuse cover/carrier is lost. The cover/carrier is indicated by the coloured insert at the base of the product.

A replacement cover/carrier must be obtained from your local Service Force Centre.

This appliance complies with the following E.E.C. Directives:

- 73/23 or 19.2.73 (Low Voltage Directive) and subsequent modifications;**
- 89/336 or 3.5.89 (Electromagnetic Compatibility Directive) and subsequent modifications.**



Building-in

This dishwasher is designed to be fitted under a kitchen counter or worksurface.

It is essential that the recess dimensions indicated in the diagram are followed.

No further openings for venting of the dishwasher are required, but only to let the water fill and drain hose and power supply cable pass through.

The recess height may be anywhere between 820 and 880 mm from the floor as the dishwasher incorporates adjustable feet (max 60 mm).

A distance of 2 mm should be allowed between the top of the dishwasher and the counter top.

Adjusting the height of the appliance

To adjust the height proceed as follows:

1. Loosen or tighten the two front feet.
2. The rear foot is adjusted by turning the screw in the middle of the front kick plate to the left or right.

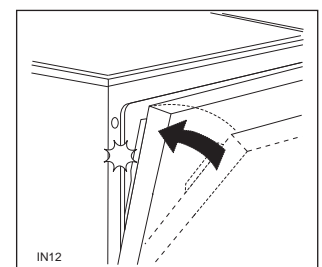
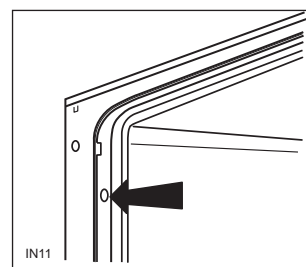
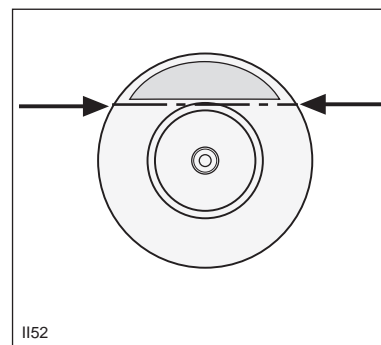
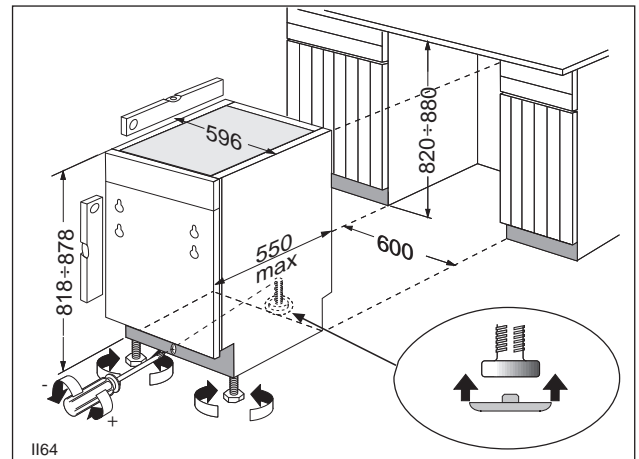
A pad is supplied for the rear foot to make sliding the appliance in and out of the recess easier.

To fit the pad, press it onto the rear foot.

If required, the dimensions of this pads can be reduced by breaking it where marked.

Good levelling is essential for correct closure and sealing of the door. When the appliance is correctly levelled, the door will not catch on the levelling spacers, either side of the cabinet.

If the door does not close correctly, loosen or tighten the adjustable feet until the machine is perfectly level.



The furniture door

The door on this appliance is designed for the overlay of a panel having the following dimensions:

- Width: 596 mm
- Height: 664 - 724 mm max
- Thickness: 20 mm max
- Weight: 2 - 7.5 kg max

The panel height should be no more than indicated, otherwise complete opening of the door will no longer be possible as the panel hits against the dishwasher plinth.

Mounting the furniture door onto the door

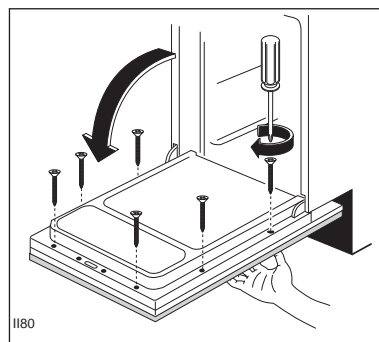
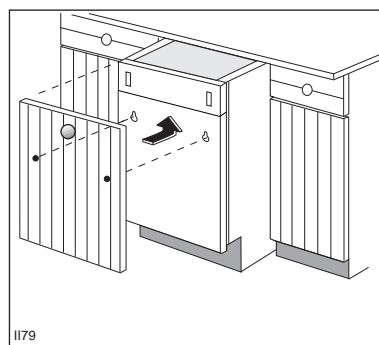
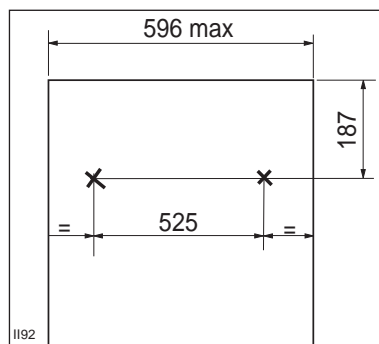
The height of the panel depends on the height of adjacent kitchen units (see kitchen plinth adjustment).

The panel must be fitted with a handle, as the dishwasher handle will be hidden by the panel. Drill the panel with a $\text{Ø } 2 \times 14$ bit according to the dimensions indicated in the figure.

Screw the two fastening pivots in the holes indicated in the figure.

Mount the decor panel by inserting the two fastening pivots into the slotted holes of the door. Lift the decor panel until perfect alignment with the fascia panel is obtained.

Once the correct position has been found, open the door and fasten the decor panel by means of the six 4 x 40 screws provided, using the holes through the inner door.




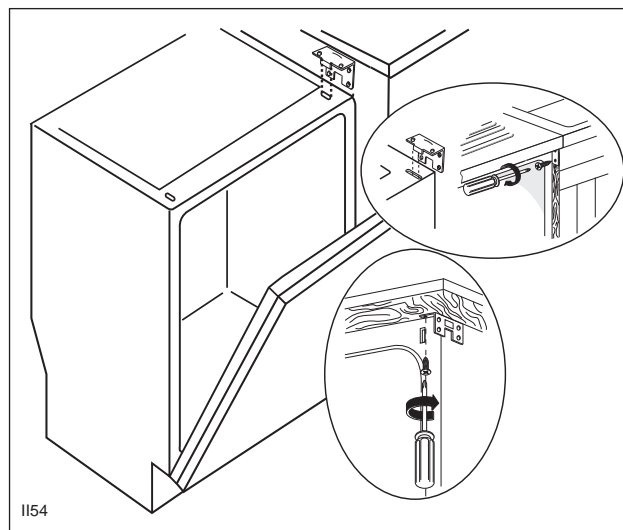
Securing to the adjacent units

To prevent the dishwasher tilting, it must be secured to either the worktop or adjacent kitchen cabinet/wall using the brackets supplied.

Insert the two fixing brackets into the slots provided in the top front part of the dishwasher as shown in the figure.

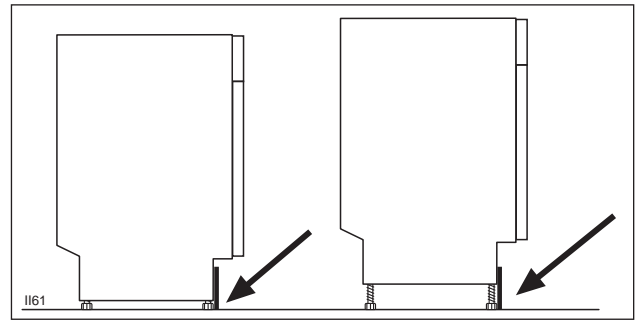
Secure the brackets to the adjacent units with the 3.5 x 16 screws using the upper or the side holes.

 **The appliance must be secured to the underside of the underside of the worktop using the brackets provided. Failure to do this could cause damage or injury.**



Noise protection

Adhesive noise protection ensures excellent noise insulation. This should be fitted when the dishwasher has been mounted in the recess and the height adjusted. Apply the protection as shown in the drawing, making sure that the non-adhesive section reaches right down to the floor.

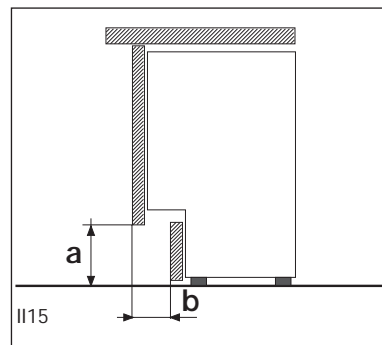
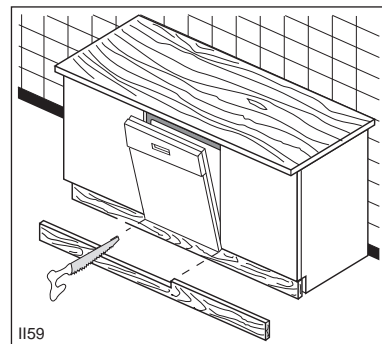


Kitchen plinth adjustment

To allow correct opening of the door it is sometimes necessary to cut the kitchen plinth. Refer to the cutting table.

According to dimensions (a) and (b) as shown on the figure, you will find on the following table the depth (x) of the cut to be made on the plinth.

The dimensions (a) and (b) of the table are those most frequently used in the kitchen furnitures.



		Height (a)*								
		170	160	150	140	130	120	110	100	90
Depth (b)*	40	136	131	125	118	110	100	93	85	75
	50	135	131	125	118	110	102	92	85	75
	60	137	132	125	118	110	102	94	85	75
	70	138	134	128	120	110	104	95	85	75
	80	/	139	130	124	115	105	98	88	78
	90	/	/	138	129	120	110	100	90	80
	100	/	/	/	135	125	115	105	95	85

(*) dimensions in mm

