



WD-10587BD
WD-14586BDK

Washing Machine

OWNER'S MANUAL (2P~23P)

Thank you for buying a
LG Fully Automatic Washing machine.
Please read your owner's manual carefully, it provides
instructions on safe installation, use and maintenance.
Retain it for future reference.
Record the model and serial numbers of your washing
machine.

Lavadora

MANUAL DEL PROPIETARIO (24P~45P)

Gracias por comprar
la lavadora totalmente automática LG.
Lea detenidamente el manual del propietario.
Antes de operar su lavadora lea atenta y detenidamente
su manual del propietario.
Proporciona instrucciones sobre la instalación, el uso y
mantenimiento seguros.
Consérvelo para referencia futura.
Anote el modelo y los números de serie de su lavadora.

Product Feature



■ Direct Drive System

The advanced Brushless DC motor directly drives the drum without belt and pulley.



■ Tilted Drum and Extra Large Door Opening

Tilted drum and extra large opening make it possible to load and unload clothing more easily.



■ Water Circulation

Spray detergent solution and water onto the load over and over. Clothes are soaked more quickly and thoroughly during wash cycle. The detergent suds can be removed more easily by the water shower during rinse cycle. The water circulation system uses both water and detergent more efficiently.



■ RollerJets

Washing ball enhances the wash performance and reduces damage to the clothing. The jets spray and help tumble clothes to enhance washing performance while maintaining fabric care.



■ Automatic Wash Load Detection

Automatically detects the load and optimizes the washing time.



■ Child Lock

The Child lock prevents children from pressing any button to change the settings during operation.



■ The LED Display

The LED display shows the settings, estimated time remaining, options, and status messages for your washer. When the washer is turned on, the light in the display will illuminate.

C contents

Warnings	3
Specification	4
Installation	5
Care before washing	10
Using the dispenser	11
Function	13
How to use washer	14
Maintenance	20
Troubleshooting guide	23
Terms of Warranty	26


Warnings

READ ALL INSTRUCTIONS BEFORE USE

WARNING!

For your safety, the information in this manual must be followed to minimize the risk of fire or explosion, electric shock, or to prevent property damage, personal injury, or loss of life.

IMPORTANT SAFETY INSTRUCTIONS

 **WARNING** : To reduce the risk of fire, electric shock, or injury to persons when using the washer, follow basic precautions, including the following:


- Read all instructions before using the washer.
- Do not wash articles that have been previously cleaned in, washed in, soaked in, or spotted with gasoline, dry cleaning solvents, or other flammable or explosive substances, as they give off vapors that could ignite or explode.
- Do not add gasoline, dry cleaning solvents, or other flammable or explosive substances to the wash water. These substances give off vapors that could ignite or explode.
- Under certain conditions, hydrogen gas may be produced in a hot water system that has not been used for 2 weeks or more. **HYDROGEN GAS IS EXPLOSIVE.** If the hot water system has not been used for such a period, before using the washing machine, turn on all hot water faucets and let the water flow from each for several minutes. This will release any accumulated hydrogen gas. As the gas is flammable, do not smoke or use an open flame during this time.
- Do not allow children to play on or in the washer. Close supervision of children is necessary when the washer is used near children.
- Before the washer is removed from service or discarded, remove the door to prevent children from hiding inside.
- Do not install or store the washer where it will be exposed to the weather.
- Do not tamper with controls.
- Do not repair or replace any part of the washer or attempt any servicing unless specifically recommended in the user-maintenance instructions or published user-repair instructions that you understand and have the skills to carry out.
- See Installation Instructions for grounding requirements.
- **ALWAYS** follow the fabric care instructions supplied by the garment manufacturer.
- Do not place items exposed to cooking oil in your washer. Items contaminated with cooking oils may contribute to a chemical reaction that could cause a load to catch fire.
- Do not use fabric softeners or products to eliminate static unless recommended by the manufacturer of the fabric softener or product.

SAVE THESE INSTRUCTIONS

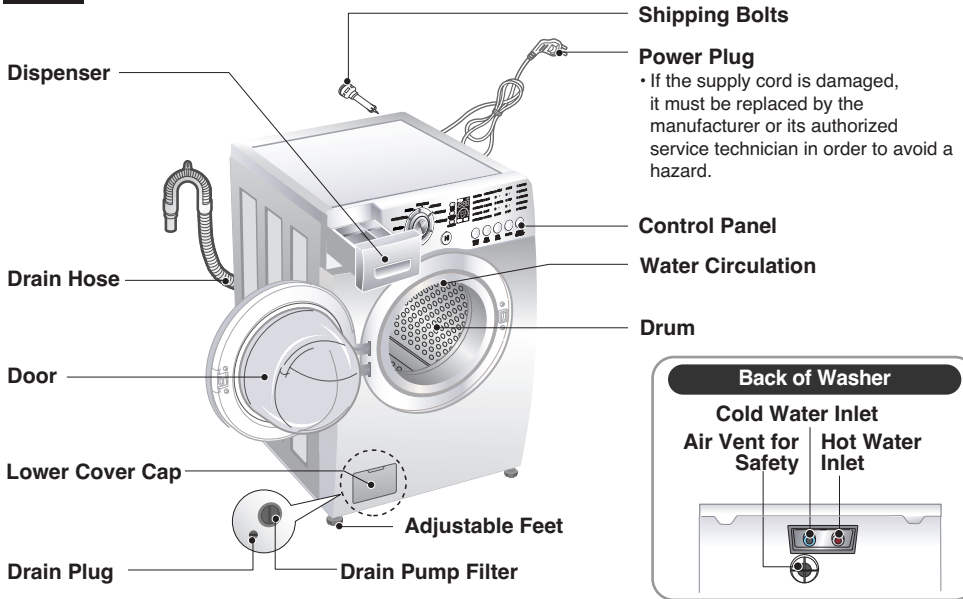
GROUNDING INSTRUCTIONS

This appliance must be grounded. In the event of malfunction or breakdown, grounding will reduce the risk of electric shock by providing a path of least resistance for electric current. This appliance is equipped with a cord having an equipment-grounding conductor and grounding plug. The plug must be plugged into an appropriate outlet that is properly installed and grounded in accordance with all local codes and ordinance.

- Do not use an adapter or extension cord.
- Do not remove ground prong.
- If you don't have the proper outlet, consult an electrician.

 **WARNING** : Improper connection of the equipment-grounding conductor can result in risk of electric shock. Check with a qualified electrician or serviceman if you are in doubt as to whether the appliance is properly grounded. Do not modify the plug provided with the appliance - if it does not fit the outlet, have a proper outlet installed by a qualified electrician.

S pecification



- Name : Front loading washing machine
- Power supply : 120 V~, 60 Hz
- Size : 686 mm(W) × 756 mm(D) × 983 mm(H) / 1295 mm (D, door open)
- Weigh : 86 kg (190 lbs)
- Wash capacity : 14,0 kg (31lbs)
- Spin speed : 1100 rpm max.
- Permissible water pressure : 0.3-10kg/cm² (30-1000kPa)

* The appearance and specifications may be varied without notice to raise the units quality.

■ Accessories



Inlet hose 1EA
* Option Hot/Cold (2EA)



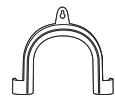
Spanner



Caps (4EA)



Tie Strap



Elbow Bracket

Installation

Install or store where it will not be exposed to temperatures below freezing or exposed to the weather. Properly ground washer to conform with all governing codes and ordinances.

To reduce the risk of electric shock, do not install the washer in humid spaces.

The base opening must not be obstructed by carpeting when the washing machine is installed on a carpeted floor.

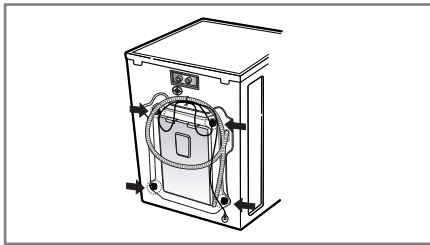
In countries where there are areas which may be subject to infestation by cockroaches or other vermin, pay particular attention to keeping the appliance and its surroundings in clean condition at all times.

Any damage which may be caused by cockroaches or other vermin will not be covered by the appliance guarantee.

■ Transit bolts

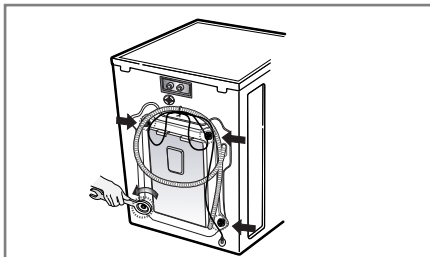
The appliance is fitted with transit bolts to prevent internal damage during transport.

■ Removing transit bolts

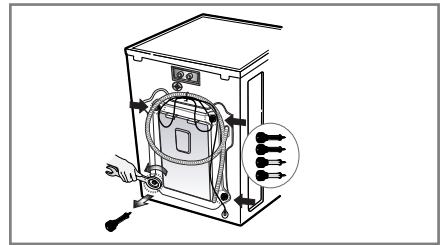


1. To prevent internal damage during transport, the special 4 bolts are locked. Before operating the washer, remove the bolts along with the rubber bungs.

• If they are not removed, it may cause severe vibration, noise and malfunction.

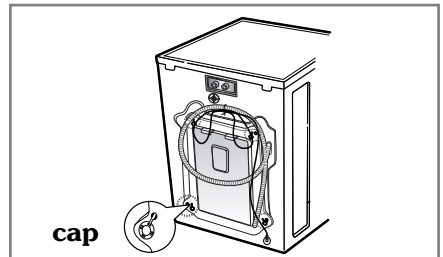


2. Unscrew the 4 bolts with the spanner supplied.



3. Take out the 4 bolts along with the rubber bungs by slightly twisting the bung. Keep the 4 bolts and the spanner for future use.

• Whenever the appliance is transported, the transit bolts must be refitted.



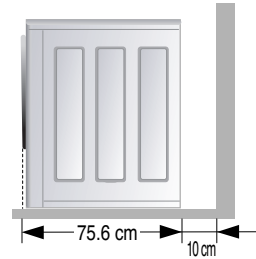
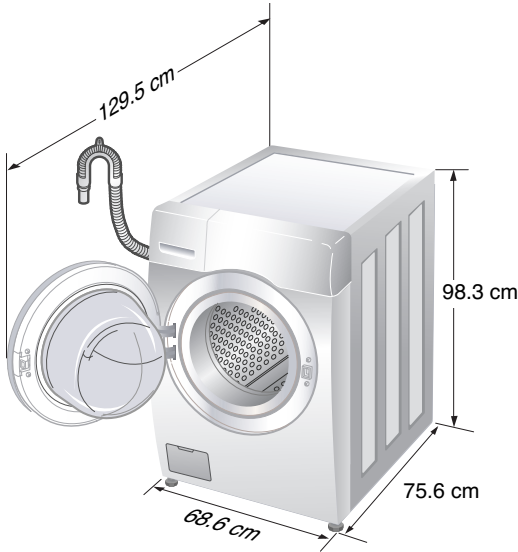
4. Close the holes with the caps supplied.

I nstallation

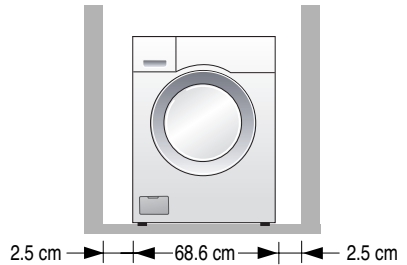
■ Installation clearances

The location must be large enough to fully open the washer door.

■ Washer dimensions



[Side view]



[Front view]

- Most installations require a minimum 10 cm clearance behind the washer.

■ Minimum installation spacing for recessed area installation.

The following dimensions shown are for the minimum spacing allowed.

Additional spacing should be considered for installation and servicing.

- Additional clearances might be required for wall, door and floor moldings.
- Additional spacing of 2.5 cm on all sides of the washer is recommended to reduce noise transfer.

Companion appliance spacing should also be considered.

■ Level floor

- Allowable slope under entire washer is 1°.
- **To minimize noise and vibration, the washer MUST be installed on a solidly constructed floor.**
- Carpeting and soft tile surfaces are not recommended.
- Never install the washer on a platform or weakly supported structure.

NOTE: A firm, solid floor is even more critical to a front-loading washer than to a top-loader. If your floor is wood and/or frame construction, you may need to reinforce it. Front-loaders use substantially faster spin speeds than top-loaders, causing greater vibration. If the floor is not solid, your washer will vibrate. You will hear and feel the vibration throughout your house.

■ Power outlet

- Must be within 60 in. (1.5 m) of either side of the washer. Do not overload the outlet with more than one appliance.
- Time-delay fuse or circuit breaker is recommended.

NOTE: It is the personal responsibility and obligation of the customer to have a proper outlet installed by a qualified electrician.

Installation

■ Electrical connection

1. Do not use an extension cord or double adapter.
 2. If the supply cord is damaged, it must be replaced by the manufacturer or its service agents or similarly qualified person in order to avoid a hazard.
 3. Always unplug the machine and turn off the water supply after use.
 4. Connect the machine to an earthed socket in accordance with current wiring regulations.
 5. The appliance must be positioned so that the plug is easily accessible.
- Repairs to the washing machine must only be carried out qualified personnel. Repairs carried out by inexperienced persons may cause injury or serious malfunctioning. Contact your local service center
 - Do not install your washing machine in rooms where temperatures below freezing may occur. Frozen hoses may burst under pressure. The reliability of the electronic control unit may be impaired at temperatures below freezing point.
 - If the appliance is delivered in the winter months and temperatures are below freezing : Store the washing machine at room temperature for a few hours before putting it into operation.

CAUTION

CAUTION concerning the Power Cord

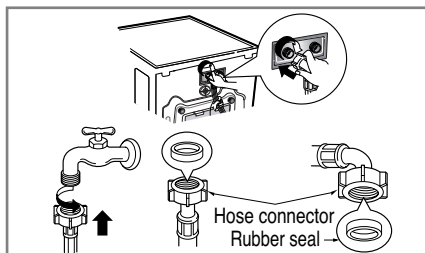
Most appliances recommend they be placed upon a dedicated circuit; that is, a single outlet circuit which powers only that appliance and has no additional outlets or branch circuits. Check the specification page of this owner's manual to be certain.

Do not overload wall outlets. Overloaded wall outlets, loose or damaged wall outlets, extension cords, frayed power cords, or damaged or cracked wire insulation are dangerous. Any of these conditions could result in electric shock or fire. Periodically examine the cord of your appliance, and if its appearance indicates damage or deterioration, unplug it, discontinue use of the appliance, and have the cord replaced with an exact replacement part by an authorized servicer.

Protect the power cord from physical or mechanical abuse, such as being twisted, kinked, pinched, closed in a door, or walked upon. Pay particular attention to plugs, wall outlets, and the point where the cord exits the appliance.

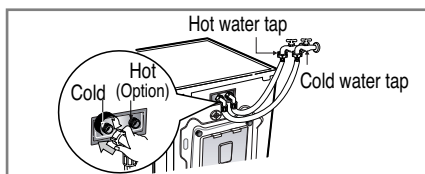
■ Washing Machine is to be connected to the water mains using new hose-sets and that old hose-sets should not be used.

■ Connecting water supply hose



- ▶ Water supply pressure must be between 30kPa and 1000kPa (0.3~10kgf/cm²)
- ▶ Don't strip or crossthread when connecting Inlet hose to the valve.
- ▶ If the water supply pressure is more than 1000kPa, a decompression device should be installed.

- Two rubber seals are supplied with the water inlet hoses these are in order to prevent water leaks.
- Check water tightness of washing machine connections by turning the tap completely on.
- Periodically check the condition of the hose and replace the hose if necessary.
- Make sure that there is no kink on the hose and that it is not crushed.



- ▶ When your washer has two valves,
- The Inlet hose which has red connector is for the hot water tap.
- If the washer has two valves, the energy is saved by using hot valve.

Installation

This equipment is not designed for maritime use or for use mobile installations such as caravans, aircraft etc.

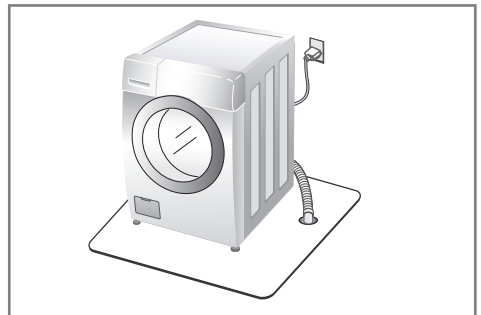
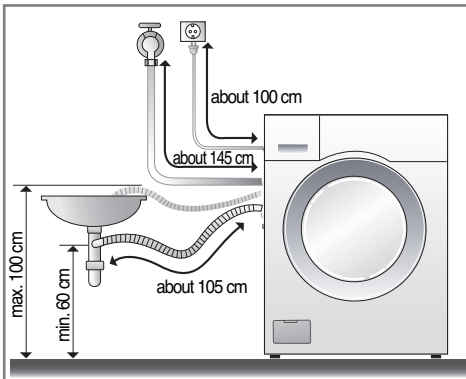
Turn off the stopcock if the machine is to be left for any length of time (e.g. holiday), especially if there is no floor drain(gully) in the immediate vicinity.

When disposing of the appliance, cut off the mains cable, and destroy the plug Disable the door lock to prevent young children being trapped inside.

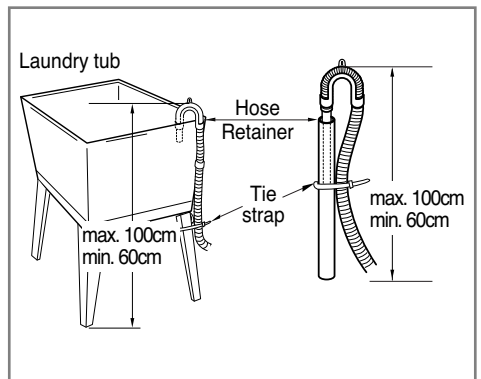
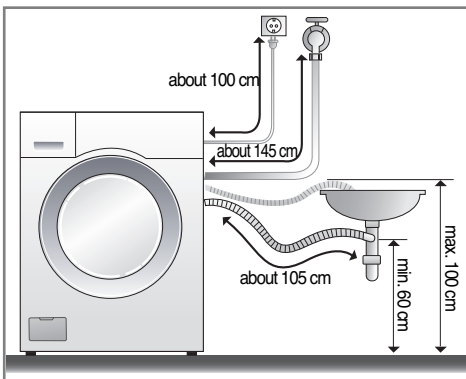
Packaging material (e.g. Films, Styrofoam) can be dangerous for children. There is a risk of suffocation !

Keep all packaging well away from children.

■ Installation of drain hose



- Place the end of the drain hose in the hole of the floor drain system.

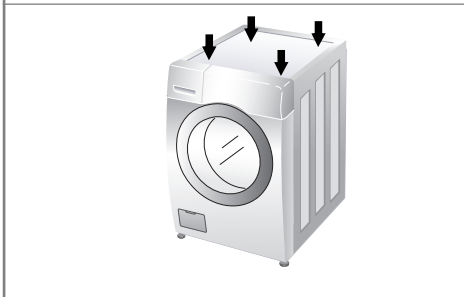
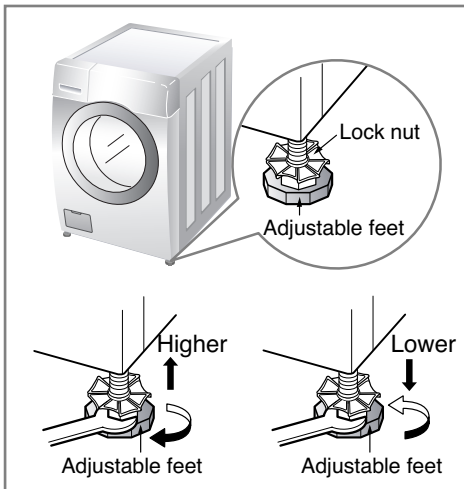


- The drain hose should not be placed higher than 100 cm above the floor.
- Proper securing of the drain hose will protect the floor from damage due to water leakage.
- When the drain hose is too long, do not force back into the washer. This will cause abnormal noise.

- When installing the drain hose sink, secure it tightly with a string.
- Proper securing of the drain hose will protect the floor from damage due to water leakage.

Installation

■ Level adjustment



1. Adjusting the washing machine level properly prevents excessive noise and vibration.
Install the appliance on a solid and level floor surface, preferably in a corner of the room.

NOTE: Extend the feet no more than necessary to level the washer. The more the feet are extended, the more the washer will vibrate.

2. If the floor is uneven, adjust the adjustable feet as required. (Do not insert pieces of wood etc. under the feet)
Make sure that all four feet are stable and resting on the floor and then check that the appliance is perfectly level. (Use a spirit level)

* After the washer is level, tighten the lock nuts up towards of the base of the washer. All lock nuts must be tightened.

NOTE: If there are vibration and noise during the spin cycle, re-check the leveling of the washer, adjust the feet as required, and tighten the lock nuts securely to prevent changes in adjustment.
Run the washer with a test load to make certain your washer is properly leveled. Put approximately 6 pounds of laundry in the machine. Then, press **POWER**, **RINSE+SPIN**, and **START/PAUSE**, in that order. When the machine spins at high speed, verify that it is stable. If not, adjust

* Diagonal Check

When pushing down the edges of the washing machine top plate diagonally, the machine should not move up and down at all. (Please, check both of two directions)

If machine rocks when pushing the machine top plate diagonally, adjust the feet again.

Care before washing



WARNING

To reduce the risk of fire, electric shock, or injury to persons, read the **IMPORTANT SAFETY INSTRUCTIONS** before operating this appliance.

1. Fabric Care Labels

Look for a care label on your clothes. This will tell you about the fabric content of your garment and how it should be washed.

2. Sorting

To get the best results, sort clothes into loads that can be washed with the same wash cycle.

Different fabrics need to be washed in different ways.

Always sort dark colors from pale colors and whites. Wash separately as dye and lint transfer can occur causing discoloration of white clothing. If possible, do not wash heavily soiled items with lightly soiled ones.

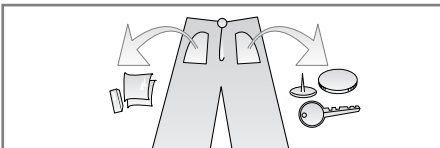
Soil (Heavy, Normal, Light)	Separate clothes according to amount of soil.
Color (White, Lights, Darks)	Separate white fabrics from colored fabrics.
Lint (Lint Producers, Collectors)	Wash lint producers and lint collectors separately.

3. Check before loading

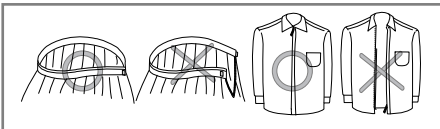
Combine large and small items in a load. Load large items first.

Large items should not be more than half the total wash load.

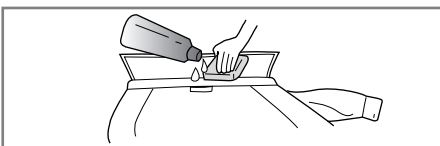
Do not wash single items. This may cause an out-of-balance load. Add one or two similar items.



- Check all the pockets to make sure that they are empty. Things such as clip, matches, pens, coins, and keys can damage both your washer and your clothes.



- Close zippers, hooks, and strings to make sure that these items do not snag on other clothes.



- Pretreat dirt and stains by brushing a little detergent dissolved in water onto stains like collars and cuffs to help lift dirt.

NOTE: Do not wash or spin water-proof clothes.

Using the dispenser

The automatic dispenser consists of four compartments which hold 1) liquid chlorine bleach, 2) liquid fabric softener, 3) liquid or powdered detergent for prewash and 4) liquid or powdered detergent and color safe bleach for main wash.

All laundry products can be added at once in their respective dispenser compartments. They will be dispensed at the appropriate time for most effective cleaning. After loading the laundry additives into the dispenser, close the dispenser drawer.

Add detergent, bleach and fabric softener to the automatic dispenser following these steps:

1. Open the dispenser drawer.
2. Load the laundry products into the appropriate compartments.
3. Close the dispenser drawer.

■ About detergent

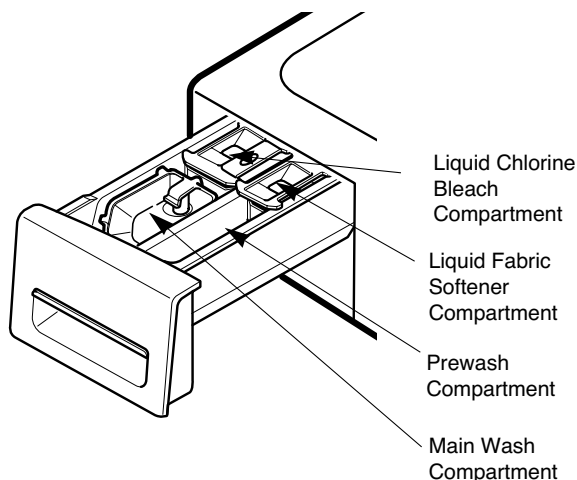
Low sudsing detergent is recommended for this washer. Use the manufacturer's recommended amount.

If low sudsing detergent is not available, a reduced amount of regular detergent may be used.

Because reducing the amount of detergent may reduce cleaning, it is important to pretreat stains, sort carefully by color and soil level, and avoid overloading.

Detergent usage may need to be adjusted for water temperature, water hardness, size and soil level of the load.

For best results, avoid using too much detergent.



1. Prewash Detergent Compartment

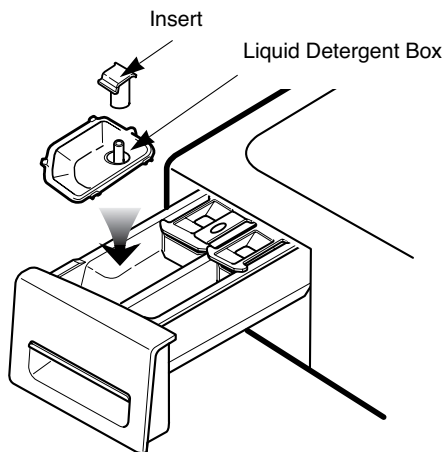
- Add detergent to this compartment when using the Prewash option. Liquid or powdered detergent may be used in this compartment. The detergent will automatically be dispensed during Prewash if the Prewash option is selected.
- Add 1/2 the recommended amount of detergent to the Prewash compartment and the recommended amount of detergent to the main wash compartment.

NOTE : Liquid detergent will drain into the washer drum as it is added.

Using the dispenser

2. Main Wash Detergent Compartment

- Add measured detergent to this compartment for Main wash. Detergent is flushed from the dispenser at the beginning of the cycle. Either powdered or liquid detergent can be used.
- Liquid or powdered color-safe bleach may be added to the main wash compartment along with the same type of liquid or powdered detergent.
- When using liquid detergent, make sure the liquid detergent box and insert are in place. Do not exceed the maximum fill line.
- For powdered detergent, remove both the liquid detergent box and insert.
- Powdered detergent will not dispense with the liquid detergent box and insert in place.



3. Liquid Bleach Compartment

- Add measured liquid chlorine bleach to this compartment. The bleach will be automatically dispensed at the proper time during the wash cycle.
- Do not exceed the maximum fill line. Overfilling can cause early dispensing of the bleach which could result in damaged clothes.
- Do not pour undiluted liquid chlorine bleach directly onto the load or into the drum. Fabric damage can occur.
- Do not use powdered bleach in this compartment.


4. Fabric Softener Compartment

- Add recommended amount of fabric softener to this compartment.
- Dilute concentrated softeners with warm water to the fill line.
- Do not exceed the maximum fill line. Overfilling can cause early dispensing of the fabric softener which could result in stained clothes.
- Do not pour fabric softener directly on the wash load.
- The fabric softener will be automatically dispensed during the last rinse cycle.

NOTE: Do not place, store, or spill laundry products (soap, detergent, bleach, softener, etc.) on the top of your washer or dryer. These products can damage the finish or controls if left there too long.


F unction

■ Select cycles designed for different types of fabric and soil levels.

Cycle	Fabric Type	Wash/Rinse Temp	Spin Speed	Soil Level	Pre-Wash	Quick Cycle	Water Plus	Stain Cycle	Extra Rinse	Rinse + Spin
BULKY/ LARGE	Large items such as blankets and comforters	Warm/Cold	Low	Normal						
		Warm/Warm Hot/Cold Tap Cold/Cold Cold/Cold	Medium No Spin	Heavy Light	○	○	○	○	○	○
COTTON/ TOWELS	Cotton, linen, towels, shirts, sheets, jeans, mixed loads	Warm/Cold	High	Normal						
		Warm/Warm Hot/Cold Tap Cold/Cold Cold/Cold	Extra High No Spin Low Medium	Heavy Light	○	○	○	○	○	○
NORMAL	Mixed loads, work clothes, jeans, shirts	Warm/Cold	High	Normal						
		Warm/Warm Hot/Cold Tap Cold/Cold Cold/Cold	Extra High No Spin Low Medium	Heavy Light	○	○	○	○	○	○
PERM. PRESS	Dress shirts/pants, wrinkle-free clothing, poly/cotton blend clothing, tablecloths	Warm/Cold	Medium	Normal						
		Warm/Warm Hot/Cold Tap Cold/Cold Cold/Cold	High No Spin Low	Heavy Light	○	○	○	○	○	○
DELICATES	Dress shirts/blouses, nylons, sheer or lacy garments	Cold/Cold	Medium	Normal						
		Warm/Cold Warm/Warm Tap Cold/Cold	No Spin Low	Heavy Light	○	○	○		○	○
HAND WASH/ WOOL 	Items labeled "hand washable"	Warm/Cold	Medium	Normal						
		Warm/Warm Tap Cold/Cold Cold/Cold	No Spin Low	Light		○	○		○	○
SPEED WASH	Lightly soiled clothing and small loads	Hot/Cold	Extra High	Light						
		Tap Cold/Cold Cold/Cold Warm/Cold Warm/Warm	No Spin Low Medium High	Normal Heavy			○		○	○

HAND WASH/WOOL

- Only woolen items that are designated as "Machine-Washable" should be washed in this washing machine.
- Wash only small loads for optimum fabric care (less than 8 lbs.)
- Only neutral (wool safe) detergents should be used (Only a small quantity of detergent is needed due to the small load size and low volume of water in the cycle.)
- The HAND WASH/WOOL cycle uses a gentle tumble action and low speed spin for ultimate fabric care.

 The wool wash cycle of this machine has been approved by Woolmark for the washing of machine washable Woolmark products provided that the products are washed according to the instructions on the garment label and those issued by the manufacturer of this washing machine, M0807

How to use washer



1. Power (⏻)

- Use this button to turn the power On/Off.

2. Cycles

- Rotate the Cycle selector knob to select cycle designed for different types of fabric and soil levels.
- Each cycle has a preset Wash/Rinse temperature, Spin speed, Soil Level, and Option (See page 13).
- The preset settings can be changed anytime before Start.

NOTE:

This front load washer requires longer cycle time and gets clothes much cleaner, yet is more gentle on the fabrics, than top load washers. Washing time can be reduced significantly for small loads or lightly soiled loads by selecting Speed Wash cycle and setting the Soil Level button at Light.

3. Start/Pause (⏻)

- Use this button to start/stop the washer.

NOTE:

If you do not press the Start/Pause button within 4 minutes of selecting a cycle, the washer automatically turns off.

4. Delay Wash

- Allows the start of any cycle to be delayed for 1~12 hours.
- Choose the wash cycle for your load, and then press the Delay Wash button once for one hour or press the button again to increase the delay wash time up to 12 hours in one hour increments.

5. Water Plus

- Adds extra water to the wash and rinse cycles for superior results.

6. SpinSense™

- SpinSense™ can be used when there is a vibration problem, especially on wood floor installations.
- To operate SpinSense™ press and hold the Water Plus button for 3 seconds when the washing machine is running on any cycle.
- When SpinSense™ has been selected, the Spin Speed button light will blink on and off continually to indicate that the SpinSense™ function has been selected.
- Push and hold the Water Plus button again for 3 seconds to cancel SpinSense™.
- Once SpinSense™ has been selected, it will continue to function even if interrupted by a power failure.
- 'SPINSENSE' option cannot be selected during the spinning cycle.

7. Extra Rinse

- This option provides an additional rinse.
- Use this option to ensure the removal of detergent or bleach residue from garments.

H

ow to use washer

8. Wash/Rinse Temperature

- Select a water temperature based on the type of load you are washing.
- Follow the fabric care label and chart below for best results.

Suggested Wash Temp.	Garment
Hot 122°F (50°C)	Whites and Heavy soiled color-fast items
Warm 104°F (40°C)	
Cold 77°F (25°C)	Most loads
	Brightly colored items, washable woolens

- Warm rinses leave the loads dryer than cold rinses. Warm rinses increase wrinkling.
- In cold climates, a warm rinse makes the load more comfortable to handle.
- Cold rinses save energy.
- The Cold rinse temperatures depend on the cold water at your faucet.
- Warm rinses are regulated at approximately 86°F (30°C).
- For the Tap Cold/Cold setting, both wash and rinse temperatures depend on the cold water at your faucet.

9. Spin speed

- To change the spin speed, press the Spin Speed button repeatedly to cycle through available options.
- **To start Drain/Spin cycle:**
 1. Press **Power** (⏻) button to turn on.
 2. Press Spin Speed button only.
 3. Press **Start/Pause** (▶) button.

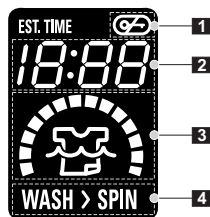
10. Soil Level

- To change the soil level, press the **Soil Level** button repeatedly until the desired setting is on.

11. Beeper

- Press repeatedly to adjust the volume of the Beeper.

LED DISPLAY



1. DOOR LOCK INDICATOR

Indicates that the door is locked. The washer door will lock while the washer is operating. The door can be unlocked by pressing the START/PAUSE button to stop the washer.

2. ESTIMATED TIME REMAINING

When the START/PAUSE button is pressed, the washer automatically detects the wash load (weight) and optimizes the washing time, based on the selected cycle and options. The display will then indicate the estimated time remaining for the selected wash cycle.

NOTE:

The cycle time displayed may appear much longer than that of a top-loading washer.
The displayed time is for the complete cycle, rather than just the agitation portion of the cycle, as is typically shown on a top-loading washer.

3. CYCLE COMPLETION INDICATOR

Shows how much of the current wash cycle has been completed.

4. STATUS/CYCLE DISPLAY

This portion of the display shows the selected cycle, operating status, and special messages. If a cycle has special instructions, they will also be displayed in this area.

How to use washer

OPTION

1. Prewash

- Use this option for loads that need pretreatment. Adds 16 minutes prewash and drain.

2. Rinse+Spin

- Use this option to rinse and then spin.

3. Quick Cycle

- The Quick Cycle offers a quick cycle time.
- Suggested uses include freshening newly purchased clothes, or clothing that has been packed away.

4. Stain cycle

- Adds time to the wash and rinse for better stain removal.
- Automatically provides a rinse.

5. Tub Clean

1. Remove any clothing or items from the washer and close the door.
2. Open the dispenser drawer and add liquid chlorine bleach to the bleach compartment.

NOTE:

Do not add any detergent to the detergent compartments. Excessive suds may be produced and leak from the washer.

3. Close the dispenser drawer slowly.
4. Power on the machine, press the “option” and then select the “Tub Clean”.
5. Press the **Start/Pause** button to start.
6. After the cycle is complete, leave the door open to dry around the washer door opening, door seal and door glass.

- ⚠ CAUTION:** If there are small children in the house, care must be taken so that they can not climb into or play inside the washer while it is open for drying.

EST. TIME REMAINING

- This display shows:
 - a) the estimated time remaining in the cycle when operating,
 - b) the error code when an error has been detected.

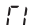
STATUS INDICATOR

- These lights show which portion of the cycle the washer is operating. (See page 15)

CHILD LOCK




OPTION
PRESS & HOLD 3 SEC
TO SET CHILD LOCK

- Use this option to prevent unwanted use of the washer. Press and hold option button for 3 seconds to lock/unlock control.
- When Child lock is set,  blinks and all buttons are disabled except the Power (⏻) button. You can lock the washer while it is operating.

DOOR LOCKED

- Lights whenever the door of the washer is locked.
- The door can be unlocked by pressing the Start/Pause (⏻) button to stop the washer.

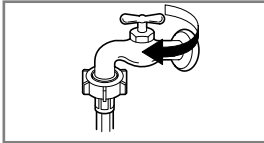
NOTA: If the water temperature or the level is too high, the door cannot be unlocked. Do not try to force the door open when DOOR LOCKED  lights on.

Maintenance

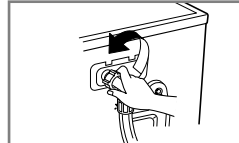
- * Before cleaning the washer interior, unplug the electrical power cord to avoid electrical shock to avoid electrical shock hazards.
- * When disposing of the appliance, cut off the mains cable, and destroy the plug Disable the door lock to prevent young children being trapped inside.

■ The water inlet filter

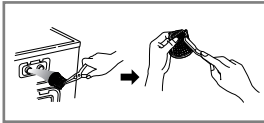
- "i E" error message will blink on the control panel when water does not enter the detergent drawer.
 - If your water is very hard or contains traces of lime deposit, the water inlet filter may become clogged.
- It is therefore a good idea to clean it from time to time.



1. Turn off the water tap.



2. Unscrew the water inlet hose.



3. Clean the filter using a hard bristle brush.



4. Tighten up the inlet hose.

■ The drain pump filter

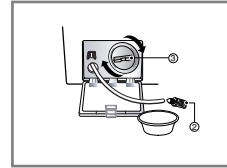
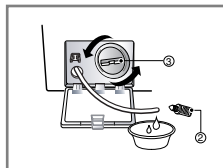
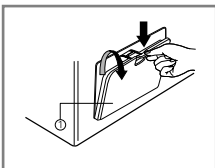
- * The drain filter collects threads and small objects left in the laundry.
- Check regularly that the filter is clean to ensure smooth running of your machine.

⚠ CAUTION First drain using the drain and then open the pump filter to remove whatever any threads or objects.

Be careful when draining if the water is hot.

- * Allow the water to cool down before cleaning the drain pump filter.

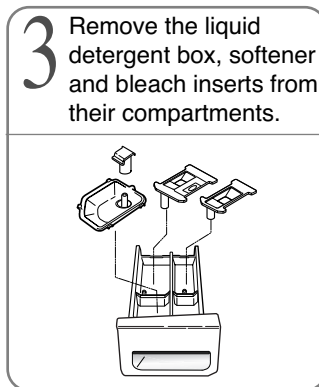
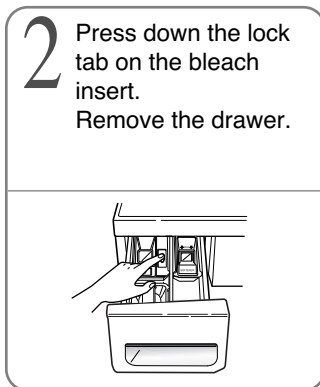
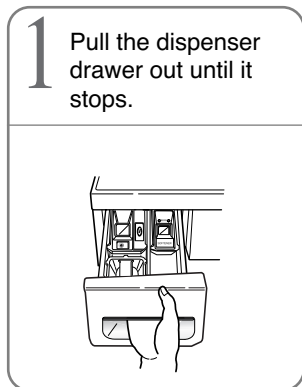
1. Open the lower cover cap (①) by using a finger. Turn the drain plug (②) to pull out the hose.
2. Unplug the drain plug (②), allowing the water to flow out. At this time use a vessel to prevent water flowing on to the floor. When water does not flow any more, turn the pump filter (③) open to the left.
3. Remove any foreign material from the pump filter (③). After cleaning, turn the pump filter (③) clockwise and insert the drain plug (②) to the original place. close the lower cover cap.



Maintenance

■ Cleaning the Dispenser

- The dispenser may need to be cleaned periodically due to laundry additive build-up.



- Run warm water and a soft brush or cloth over the drawer, liquid detergent box and inserts to remove any excess laundry additives.
- Clean the drawer opening using water and a small brush.
- Follow the illustrations in reverse order to replace the parts to their proper location.

NOTE: Do not use any cleaning substance on the drawer opening other than water because it will drain into the tub.

If this should happen, set the washer for a rinse and spin cycle to remove any cleaning substance from the washer before doing a load of laundry.

■ The washing drum

- If you live in a hard water area, lime scale can continuously build up in places where it cannot be seen and it is not easily removed from the drum. Over time the build-up of scale clogs appliances, and if it is not kept in check, these will eventually have to be replaced.
- Although the washing drum is made of Stainless steel, specks of rust can be caused by small metal articles (paper clips, safety pins, etc.) which have been left in the drum.
- The washing drum should be cleaned from time to time.
- If you use descaling agents, dyes, or bleaches, make sure they are suitable for washing machine use.
- Descaler could contain components that can damage part of your washing machine.
- Remove the spots with a stainless steel cleaning agent.
- Never use steel wool.

Maintenance

■ The water circulation nozzle

- Clean the water circulation nozzle, if clogged.

■ Cleaning your washer

1. Exterior

Proper care of your washer can extend its life.

The outside of the machine can be cleaned with warm water and a neutral, non-abrasive household detergent.

Immediately wipe off any spills. Wipe with a damp cloth.

Try not to damage the surface with sharp objects.

- * **IMPORTANT:** Do not use methylated spirit, solvents or similar products.

2. Interior

Dry around the washer door opening, door seal and door glass. These areas should always be clean to ensure a water-tight seal.

TUB CLEAN is a special cycle for cleaning the inside of the washer. This cycle uses higher water level with higher spin speed. Perform this cycle regularly.

• To start the TUB CLEAN cycle:

1. Remove any clothing or items from the washer and close the door.
2. Open the dispenser drawer and add liquid chlorine bleach to the bleach compartment.
NOTE: Do not add any detergent to the detergent compartments. Excessive suds may be produced and leak from the washer.
3. Close the dispenser drawer slowly.
4. Power On and then press the **Extra Rinse** button for 3 seconds. (Prewash option will be selected.)
5. Press the **Start/Pause** button to start.
6. After the cycle is complete, leave the door open to dry around the washer door opening, door seal and door glass.

⚠ CAUTION: If there are small children in the house, care must be taken so that they can not climb into or play inside the washer while it is open for drying.

NOTE: Remove hard water deposits using only cleaners labeled as safe for washing machines.

■ Winterizing instructions

If the washer is stored in an area where freezing can occur or moved in freezing temperatures, follow these winterizing instructions to prevent damage to the washer:

1. Turn off water supply tap.
2. Disconnect hoses from water supply and drain water from hoses.
3. Plug electrical cord into a properly grounded electrical outlet.
4. Add 1 gallon (3.8 ℓ) nontoxic recreational vehicle (RV) antifreeze to empty wash drum. Close door.
5. Set spin cycle and let washer spin for 1 minute to drain out all the water.
Not all of the RV antifreeze will be expelled.
6. Unplug electrical power cord, dry drum interior, and close door.
7. Remove the two-compartment container from the Dispenser. Drain any water in compartments and dry the compartments.
8. Store washer in an upright position.
9. To remove antifreeze from washer after storage, run empty washer through a complete cycle using detergent. **Do not add laundry.**

Troubleshooting guide











* This washing machine is equipped with automatic safety functions which detect and diagnose faults at an early stage and react appropriately.
When the machine does not function properly or does not function at all, check the following points before you contact your service provider.

Symptom	Possible Cause	Solution
Rattling and clanking noise	<ul style="list-style-type: none"> Foreign objects such as coins or safety pins maybe in drum or pump. 	<p>Stop washer and check drum and drain filter.</p> <p>If noise continues after washer is restarted, call your authorised service centre.</p>
Thumping sound	<ul style="list-style-type: none"> Heavy wash loads may produce a thumping sound. This is usually normal. 	<p>If sound continues, washer is probably out of balance. Stop and redistribute wash load.</p>
Vibrating noise	<ul style="list-style-type: none"> Have all the transit bolts and packing been removed? Wash load may be unevenly distributed in the drum. Are all the feet resting firmly on the ground? 	<p>Refer to Installation guide for removing transit bolts.</p> <p>Stop washer and rearrange wash load.</p> <p>Adjust the leveling feet. Make sure all four feet are in firm contact with the floor, while the washer is in the spin cycle with load.</p>
Water leaks.	<ul style="list-style-type: none"> Fill hoses or drain hose are loose at tap or washer. House drain pipes are clogged. 	<p>Check and tighten hose connections.</p> <p>Unclog drain pipe. Contact plumber if necessary.</p>
Oversudsing		<p>Too much detergent or unsuitable detergent may cause excessive foaming which may result in water leaks.</p>
Water does not enter washer or it enters slowly	<ul style="list-style-type: none"> Water supply is not adequate in area. Water supply tap is not completely open. Water inlet hose(s) are kinked. The filter of the inlet hose(s) clogged. 	<p>Check another tap in the house.</p> <p>Fully open tap.</p> <p>Straighten hose.</p> <p>Check the filter of the inlet hose.</p>
Water in the washer does not drain or drains slowly.	<ul style="list-style-type: none"> Drain hose is kinked or clogged. The drain filter is clogged. 	<p>Clean and straighten the drain hose.</p> <p>Clean the drain filter</p>

Troubleshooting guide

Symptom	Possible Cause	Solution
Washer does not start	<ul style="list-style-type: none"> • Electrical power cord may not be plugged in or connection may be loose. • House fuse blown, circuit breaker tripped, or a power outage has occurred. • Water supply tap is not turned on. 	<p>Make sure plug fits tightly in wall outlet.</p> <p>Reset circuit breaker or replace fuse. Do not increase fuse capacity. If problem is a circuit overload, have it corrected by a qualified electrician.</p> <p>Turn on water supply tap.</p>
Washer will not spin	<ul style="list-style-type: none"> * Check that the door is firmly shut. 	<p>Close the door and press the Start/Pause button. After pressing the Start/Pause button, it may take a few moments before the clothes washer begins to spin. The door must lock before spin can be achieved.</p>
Wash cycle time delayed	<p>The washing time may vary by the amount of laundry, water pressure, water temperature and other usage conditions.</p>	<p>If the imbalance is detected or if the suds removing program works, the wash time shall be increased.</p>

Troubleshooting guide

Symptom	Possible Cause	Solution
	<ul style="list-style-type: none"> • Water supply is not adequate in area • Water supply taps are not completely open. • Water inlet hose(s) are kinked. • The filter of the inlet hose(s) are clogged. 	<p>Check another tap in the house. Fully open tap.</p> <p>Straighten hose(s). Check the filter of the inlet hose.</p>
	<ul style="list-style-type: none"> • Drain hose is kinked or clogged. • The drain filter is clogged. 	<p>Clean and straighten the drain hose. Clean the drain filter.</p>
	<ul style="list-style-type: none"> • Load is too small. • Load is out of balance. • The appliance has an imbalance detection and correction system. If individual heavy articles are loaded (ex. bath mat, both robe, etc.) this system may stop spinning or even interrupt the spin cycle altogether. • If the laundry is still too wet at the end of the cycle, add smaller articles of laundry to balance the load and repeat the spin cycle. 	<p>Add 1 or 2 similar items to help balance the load. Rearrange load to allow proper spinning.</p>
	 <ul style="list-style-type: none"> • Is the door opened? 	<p>Close the door. * If “dE” is not released, call for service.</p>
		<p>Unplug the power plug and call for service.</p>
	<ul style="list-style-type: none"> • Water overfills due to the faulty water valve. 	<p>Close the water tap. Unplug the power plug. Call for service.</p>
	<ul style="list-style-type: none"> • Water level sensor has malfunctioned. 	
	<ul style="list-style-type: none"> • Over load in motor. 	
	<ul style="list-style-type: none"> • The washer experienced a power failure. 	<p>Restart the cycle.</p>

Terms of Warranty

What Is Not Covered:

- Service trips to your home to teach you how to use the product.
- If the product is connected to any voltage other than that shown on the rating plate.
- If the fault is caused by accident, neglect, misuse or Act of God.
- If the fault is caused by factors other than normal domestic use or use in accordance with the owner's manual.
- Provide instruction on use of product or change the set-up of the product.
- If the fault is caused by pests for example, rats or cockroaches etc..
- Noise or vibration that is considered normal for example water drain sound, spin sound, or warming beeps.
- Correcting the installation for example, levelling the product, adjustment of drain.
- Normal maintenance which recommended by the owner's manual.
- Removal of foreign objects / substances from the machine, including the pump and inlet hose filter for example, grit, nails, bra wires, buttons etc.
- Replace fuses in or correct house wiring or correct house plumbing.
- Correction of unauthorized repairs.
- Incidental or consequential damage to personal property caused by possible defects with this appliance.
- If this product is used for commercial purpose, it is not warranted.

(Example : Public places such as public bathroom, lodging house, training center, dormitory)

If the product is installed outside the normal service area, any cost of transportation involved in the repair of the product, or the replacement of a defective part, shall be borne by the owner.

C Características del producto



■ Sistema “Direct Drive”.

La avanzada tecnología del motor de corriente continua sin escobillas mueve directamente el tambor sin necesidad de transmisión ni poleas.



■ Tambor Inclinado y Puerta Extra Grande.

El tambor inclinado y la abertura de puerta extra grande, hacen más fácil la carga y descarga de la ropa.



■ Circulación de Agua.

Se rocía la solución de detergente y agua sobre la carga una y otra vez. La ropa se remoja mejor rápidamente y a la perfección durante el ciclo de lavado. La espuma del detergente puede ser removida mejor fácilmente por la presión del agua durante el ciclo de enjuague. El sistema de circulación de agua usa el agua y el jabón más eficientemente.



■ Burbujas de Lavado.

Las burbujas de lavado mejoran el rendimiento del lavado y reduce el daño a la ropa. Los chorros rocían y ayudan a mantener la ropa en la parte inferior de la tina mejorando el rendimiento del lavado mientras mantiene el cuidado de la tela.



■ Detección automática de la carga de lavado.

Automáticamente detecta la carga y optimiza el tiempo de lavado.



■ Bloqueo para Niños.

El Bloqueo para Niños previene que los niños presionen los botones y cambien la configuración durante la operación.



■ La pantalla de LED

La pantalla LED los ajustes, el tiempo restante estimado, las opciones y los mensajes de estado correspondientes a su lavadora. Cuando se enciende la lavadora, se iluminará la luz de la pantalla.

Índice

Advertencias	25
Especificaciones	26
Instalación.....	27
Cuidados antes del lavado.....	32
Uso del dispensador	33
Función	35
Cómo utilizar la lavadora	36
Mantenimiento	39
Guía para la resolución de fallas	42
Términos de la garantía	45


Advertencias

LEA TODA LA INFORMACIÓN ANTES DE SU USO

ADVERTENCIA

Por su seguridad, siga la información de este manual para minimizar el riesgo de provocar un incendio, una explosión, o una descarga eléctrica, y para evitar que se dañe el electrodoméstico, que alguien resulte herido, o que alguien pierda la vida.

Información Importante de Seguridad

 ADVERTENCIA: Para reducir el riesgo de incendio, descarga eléctrica, ó heridas, al usar la lavadora, siga las precauciones básicas incluyendo las siguientes:


- Lea todas las instrucciones antes de usar la lavadora.
- No lave artículos que hayan sido previamente limpiados con, lavados con, mojados con, ó manchados con gasolina, solventes para lavado en seco, u otra sustancia flamable ó explosiva, ya que estas despiden vapores que pueden incendiarse ó explotar.
- No agregue gasolina, solventes para lavado en seco ó cualquier otra sustancia flamable ó explosiva al agua de lavado. Estas sustancias despiden vapores que pueden incendiarse ó explotar.
- Bajo ciertas condiciones, se puede producir gas de hidrógeno en sistemas de agua caliente que no han sido usados por 2 semanas ó mas. **EL GAS DE HIDRÓGENO ES EXPLOSIVO.** Si el sistema de agua caliente no ha sido usado por 2 semanas ó mas, antes de usar la lavadora, abra todas las llaves del agua caliente y deje el agua correr por algunos minutos. Esto liberará cualquier rastro de gas de hidrógeno acumulado. Como el gas es flamable, no fume ó use ninguna flama abierta durante este tiempo.
- No permita que los niños jueguen sobre ó dentro de la lavadora. Deberá cuidar de cerca a los niños cuando la lavadora sea usada cerca de ellos.
- Antes de retirar la lavadora para servicio ó desecharla, retire la puerta para prevenir que los niños se escondan dentro.
- No instale ó almacene la lavadora donde esté expuesta a la intemperie.
- No estropee los controles.
- No intente reparar ni reemplazar ninguna parte de la lavadora ni intente dar servicio a menos que sea recomendado específicamente en las instrucciones de mantenimiento del usuario ó publicado en las instrucciones de reparación para el usuario que usted entienda y tenga la habilidad de llevar a cabo.
- Vea las instrucciones de instalación para los requerimientos de conexión a tierra.
- SIEMPRE siga las instrucciones de cuidado de la tela provistas por el fabricante de la prenda.
- No coloque artículos manchados de aceite de cocina en su lavadora. Los artículos contaminados con aceite de cocina pueden contribuir a una reacción química que provoque el incendio de una carga.
- No use suavizantes de telas ni productos eliminadores de estática a menos que sea recomendado por el fabricante del suavizante de telas ó el producto.

GUARDE ESTAS INSTRUCCIONES

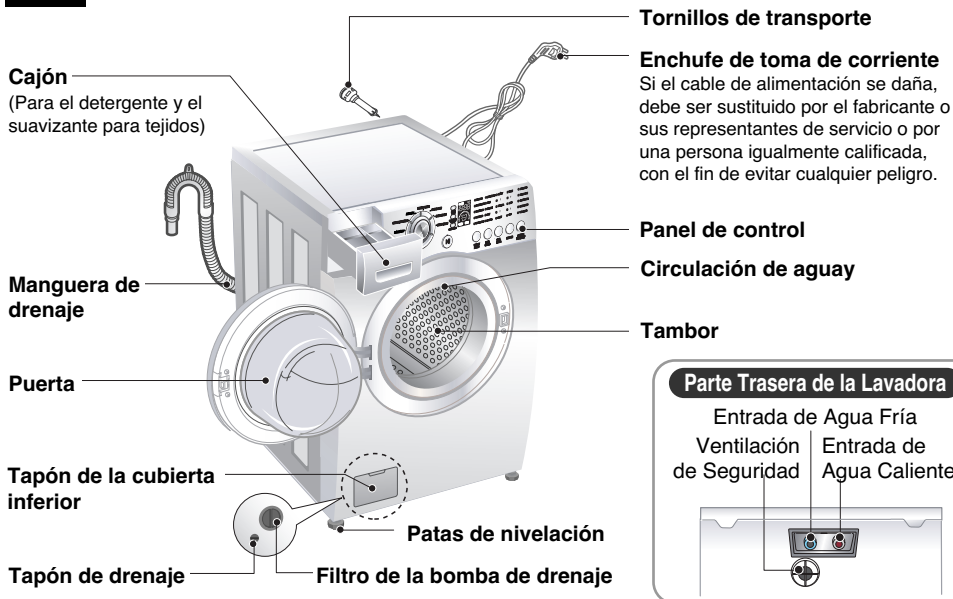
INSTRUCCIONES DE CONEXION A TIERRA

Este aparato debe ser conectado a tierra. Dado el caso de descompostura ó mal funcionamiento, la conexión a tierra reduce el riesgo de recibir una descarga eléctrica proveyendo una vía de menor resistencia a la corriente eléctrica. Este aparato esta equipado con un cable que tiene un conductor de equipo a tierra y una clavija de tierra. La clavija debe ser conectada en una toma de corriente adecuada que esté propiamente instalada y conectada a tierra de acuerdo con los códigos y ordenanzas locales.

- No use un adaptador ni un cable eléctrico de extensión.
- No quite el terminal de conexión a tierra.
- Si no cuenta con la toma de corriente adecuada, consulte a un electricista.

 ADVERTENCIA: Una conexión inapropiada del conductor de equipo a tierra puede resultar en riesgo de recibir una descarga eléctrica. Verifique con un electricista calificado si tiene dudas sobre si el aparato esta correctamente conectado a tierra. No modifique la clavija provista con el aparato. Si no encaja con la toma de corriente, haga instalar una toma de corriente adecuada por un electricista calificado.

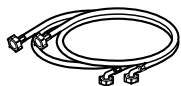
Especificaciones



- Nombre : Lavadora de carga frontal
- Fuente de alimentación : 120 V~, 60 Hz
- Tamaño : 686 mm(An) × 756 mm(P) × 983 mm(Al) / 1295 mm (P, puerta abierto)
- Peso del producto : 86 kg (190 lbs)
- Capacidad de lavado : 14,0 kg (31 lbs)
- Velocidad de la Revolución : 1100 r/min max.
- Presión admisible del agua : 0,3 - 10 kgf/cm²(30 - 1000 kPa)

* El aspecto y las especificaciones pueden variar sin previo aviso para aumentar la calidad de las unidades

■ Accesorios



Manguera de entrada (1 EA)
Opción : Caliente/Frío(2 EA)



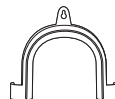
Llave de tuercas



Tapón (4EA)



Correa de amarre



Abrazadera de codo

Instalación

Instálelo o guárdelo donde no quede expuesto a temperaturas bajo cero o a la intemperie.

Para reducir los riesgos de electrocución, no instale la lavadora en lugares húmedos.

La apertura de la base no debe estar obstruida por alfombras cuando se instala la lavadora sobre un suelo con alfombras u otro elemento.

Instálela o guárdela donde no esté expuesta a temperaturas bajo cero o expuesta al ambiente.

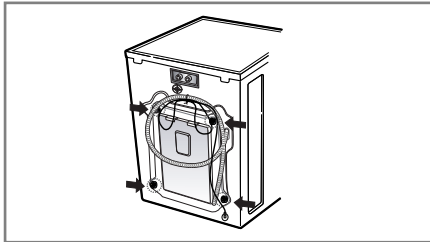
Lavadora compatible con todas las órdenes y códigos para su uso.

La lavadora no debe estar obstruida por carpetas o tapetes cuando la lavadora sea instalada en piso alfombrado. En países con áreas propensas a las plagas como cucarachas u otro animal, tengan particular atención en mantener el área y la lavadora, limpios en todo momento. Cualquier daño hecho por cucarachas u otras plagas no será cubierto por la garantía.

■ Tornillos de transporte

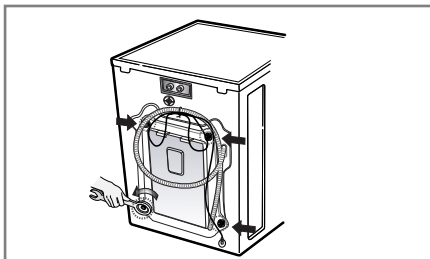
Este aparato está provisto de tornillos de transporte para impedir daños internos durante éste.

■ Desmontaje de los tornillos de transporte

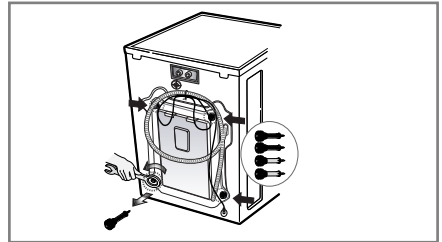


1. Para impedir los daños internos durante el transporte, los 4 tornillos especiales estarán bloqueados. Antes de hacer funcionar la lavadora, quite los tornillos junto con los tapones de caucho.

• Si no se quitan, se puede provocar una fuerte vibración, ruido y un funcionamiento defectuoso.

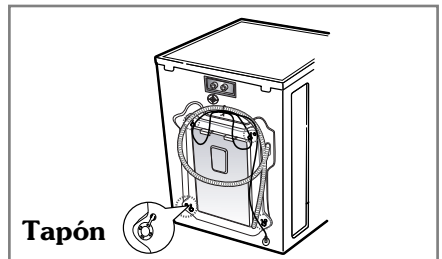


2. Desatornille los 4 tornillos con la llave suministrada.



3. Quite los 4 tornillos junto con los tapones de caucho retorciendo ligeramente el tapón. Conserve los 4 tornillos y la llave de tuerca para uso futuro.

• Siempre que se transporte el aparato, se deben volver a colocar los tornillos de transporte.



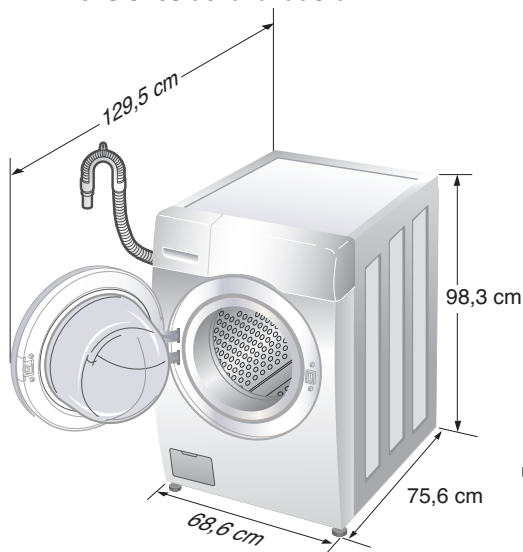
4. Cierre los agujeros con los tapones suministrados.

Instalación

■ Espacios libres de instalación

El lugar debe ser lo suficientemente grande para abrir en su totalidad la puerta de la lavadora.

■ Dimensiones de la lavadora



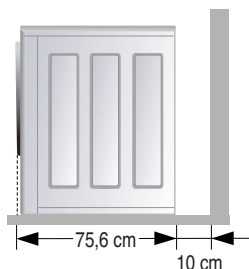
• La mayoría de las instalaciones requieren un mínimo de 10 cm de espacio libre detrás de la lavadora .

■ Espacio mínimo de instalación para área reducida o instalación en un armario.

Las dimensiones mostradas a continuación son el espaciamiento mínimo permitido.

- Un espacio adicional debe ser considerado para la instalación y el mantenimiento.
- Un espacio libre adicional puede ser requerido para molduras de pared, puerta y piso.
- Un espacio adicional de una pulgada 2,5 cm a todos los lados de la lavadora es recomendado para reducir la transferencia del ruido.
- Para instalación en un armario con puerta, son requeridas un mínimo de aberturas en la parte superior e inferior de la puerta.

El espacio para un artefacto complementario también debe ser considerado.



[Vista lateral]



2,5 cm | 68,6 cm | 2,5 cm

[Vista frontal]

■ Nivel del Piso

- La inclinación admisible debajo de toda la lavadora es de 1°.
- **Pare reducir ruido y vibración, la lavadora debe ser instalada en un piso construido sólidamente.**
- Pisos de madera pueden necesitar ser reforzados para reducir ruido y vibración.
- Superficies con alfombras y azulejos no son recomendadas.
- Nunca instale la lavadora en una plataforma o en una estructura débil.

NOTA: Un piso firme y sólido es más necesario para una Carga Frontal que para una Carga Superior. Si su piso es de madera o está en construcción, puede ser que necesite reforzarlo. Las Cargas Frontales tienen mayor revolución que las Cargas Superiores, causando más vibración. Si el piso no es sólido, su lavadora va a vibrar. Va a oír y sentir la vibración en toda su casa.

■ Tomacorriente

Debe estar localizado dentro de 1,5 m de cualquier lado de la lavadora. No sobrecargue el tomacorriente con más de un producto.

NOTA: Es responsabilidad y obligación del consumidor tener propiamente instalado su producto por un electricista calificado.

Instalación

■ Conexión eléctrica

1. No utilice una extensión o un adaptador doble.
2. Si el cable de alimentación está dañado, debe ser sustituido por el fabricante o sus representantes de servicio o por una persona igualmente calificada con el fin de evitar cualquier peligro.
3. Desenchufe siempre la máquina y cierre el suministro de agua después del uso.
4. Conecte la máquina a un enchufe con puesta a tierra según las normativas de cableado vigentes.
5. El aparato se debe colocar de forma que el enchufe sea fácilmente accesible.

• Las reparaciones de la lavadora sólo deben realizarse por personal calificado.

Las reparaciones hechas por personas inexpertas pueden causar daños o serias consecuencias para su uso. Contacte a su Centro de Servicio más cercano.

• No instale su lavadora en cuartos donde las temperaturas bajo cero, o heladas, puedan intervenir.

Las mangueras heladas pueden explotar. La confiabilidad de la unidad electrónica puede variar dependiendo de las temperaturas bajo cero.

• Si compra su lavadora en épocas de heladas: guarde la lavadora en un cuarto de temperatura ambiente antes de comenzarla a usar.

PRECAUCIÓN

Precauciones de los Cordones de Enchufes

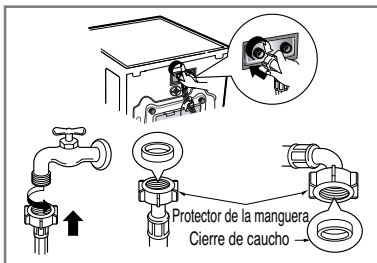
En la mayoría de los electrodomésticos se recomienda que sean puestos en un circuito que sea dedicado sólo para ellos; esto significa, un sólo circuito de salida el cual sólo le da energía a ese electrodoméstico y no tiene salidas adicionales o sucursal de circuitos (otras sucursales de circuitos). Chequear la página de las especificaciones en este manual de usuario para estar seguro.

No se debe sobre cargar la pared de las salidas de energía. Sobrecargar la pared de salida de energía es peligroso, también lo es tener la pared de salida de energía suelta o dañada, cordones de extensión, cordones deshilachados, o el aislamiento de cordones dañados o rajados. Cualquiera de estas condiciones pueden resultar en un corto circuito o un incendio. Periódicamente examine los cordones de sus electrodomésticos, y si parece que están dañados o deteriorados, desconéctelos, deje de usar el electrodoméstico, y reemplace el cordón con otro cordón de la mismas características de un servidor autorizado.

Proteger el enchufe y cordones de maltratos físicos o mecánicos, tales como ser doblados, retorcidos, peñiscados, dañados con la puerta al cerrarla, o caminar por encima de los mismos. Prestarle una atención particular a los enchufes, en las paredes de salida de energía, y el punto de donde el cordón sale del electrodoméstico.

■ La lavadora se debe conectar a la red principal del agua utilizando conjuntos de mangueras nuevos y no utilizando mangueras usadas.

■ Conexión de la manguera de suministro de agua



► La presión del suministro de agua debe estar entre 30 kPa y 1 000 kPa (0,3 -10 kgf/cm)

► No desforre ni cruce al conectar la manguera de entrada a la válvula

► Si la presión del suministro del agua es mayor de 1 000 kPa se debe instalar un dispositivo de descompresión.

• Se suministran dos anillos con la manguera de entrada de agua en el conector de la válvula con el fin de evitar fugas de agua.

• Compruebe la presión del agua en las conexiones de la lavadora abriendo completamente el grifo.

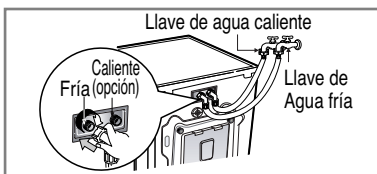
• Compruebe periódicamente el estado de la manguera y sustitúyala si es necesario.

• Asegúrese de que no hay retorcimiento en la manguera y de que no está aplastada.

► Cuando su lavadora tiene dos válvulas

• La manguera de entrada que tiene el conector rojo es para la llave de agua caliente.

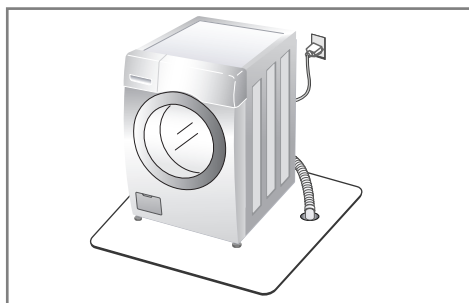
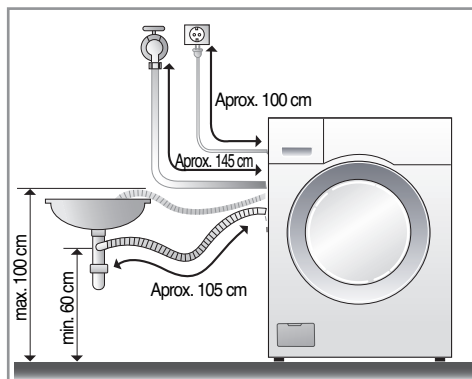
• Si la lavadora tiene dos válvulas, se ahorra energía utilizando la válvula de agua caliente.



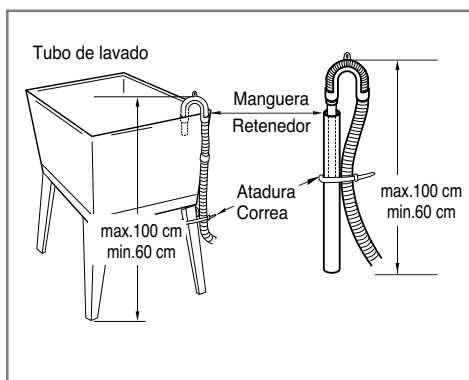
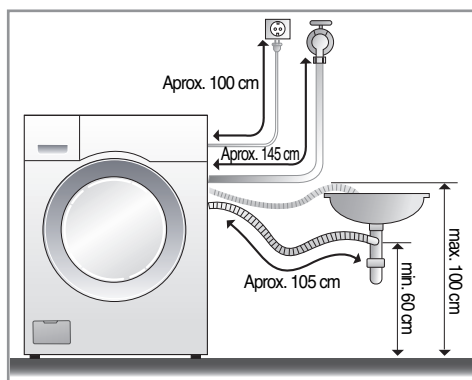
Instalación

Este equipo no está diseñado para uso marítimo o para instalaciones móviles como caravanas, avionetas, etc. Desconecte la lavadora si no se va a utilizar por un periodo largo de tiempo (por ejemplo, vacaciones), especialmente si no hay un drenaje en el piso del lugar. Cuando ya no utilice la lavadora, quite los cables principales y destruya el conector. Deconecte el seguro de la puerta para evitar que niños pequeños se queden atrapados dentro de la lavadora. El material para envolver puede causar sofocación en los niños. Mantenga todo el material del empaque lejos de los niños.

■ Instalación del desagüe



- Ubique el extremo de la manguera de desagüe en el orificio del sistema de drenaje en el piso.



- La manguera de desagüe no debería estar a más de 1 m de altura del suelo.
- Afianzando la instalación, el tubo de desagüe protegerá el suelo de dañarlo a causa de escapes de agua.
- Cuando el tubo de la manguera es muy largo, por favor no llene la lavadora, podría causar un ruido extraño.

- Cuando instale la manguera de desagüe, asegúrela firmemente, procurando que no se mueva atándola con una cuerda.
- Asegurando la instalación, el tubo del desagüe protegerá el suelo de derrames de agua.

Instalación

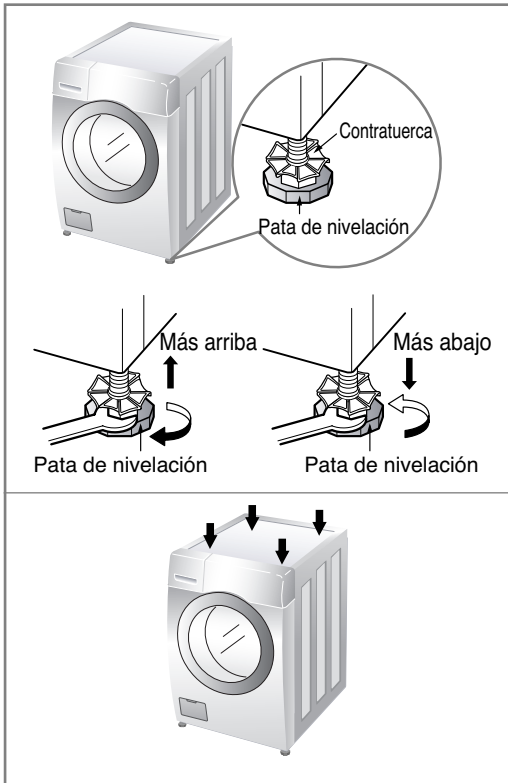
■ Ajuste de nivel



1. La nivelación correcta de una lavadora impide el ruido y vibraciones excesivas. Instale el aparato sobre una superficie de suelo sólida y nivelada, preferiblemente en la esquina de una habitación.

NOTA: No extienda las patas niveladoras más de lo necesario. Mientras más extendidas estén, más vibración puede haber.

2. Si el suelo no está nivelado, ajuste las patas de nivelación según sea necesario (no introduzca trozos de madera, etc. debajo de las patas). Asegúrese de que los cuatro patas esten estables y descansan sobre el suelo y, a continuación, compruebe que el electrodoméstico está perfectamente nivelado (utilice un nivel de burbuja de aire)



- * Después de ajustar las patas, apriete la contratuera girándola en sentido contrario a las agujas del reloj.

NOTA: Si existe una vibración o ruido durante el centrifugado, vuelva a revisar el nivel de balance de la lavadora. Ajuste las patas hasta donde lo requiera y asegure los tornillos para evitar cambios en el nuevo ajuste. Inicie el lavado con una prueba de lavado para asegurarse que está bien nivelada. Cargue aproximadamente 2,7 kg de ropa en la lavadora. Luego presione ENCENDIDO, ENJUAGUE+ CENTRIFUGADO e INICIO/PAUSA, en ese orden. Cuando la lavadora esté girando a su mayor velocidad verifique si está estable. Si no, ajuste nuevamente las patas.

*** Comprobación en diagonal**

Al empujar hacia abajo y en diagonal los bordes de la placa superior de la lavadora, la máquina no se debe mover ni un centímetro arriba o abajo en absoluto. (Compruebe esto en ambas direcciones)

Si la máquina cabecea al empujar la placa superior de la máquina en diagonal, ajuste de nuevo las patas

Cuidados antes del lavado

ADVERTENCIA

Para reducir el riesgo de incendio, descarga eléctrica o daño a personas, lea las Instrucciones Importantes de Seguridad antes de operar este artefacto.

1. Etiquetas de cuidados

Busque la etiqueta de cuidados de sus prendas. Ésta le indicará el contenido del tejido de su prenda y cómo se debe lavar.

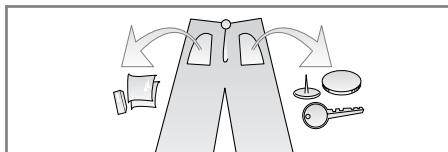
2. Clasificación

Para obtener los mejores resultados, clasifique la ropa en cargas que se puedan lavar con el mismo ciclo de lavado. Los tejidos diferentes necesitan lavarse de diferentes formas, con temperatura de agua y velocidad de centrifugado diferentes. Separe siempre los colores oscuros de los claros y blancos. Lávelos por separado, ya que se puede producir una transferencia de colores e hilos, lo que provocará la decoloración del blanco, etc. Si es posible, no lave artículos muy sucios con uno ligeramente sucio.

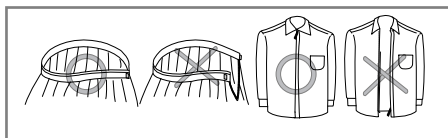
Suciedad (Pesada, Normal, Ligera)	Separe las prendas según la cantidad de suciedad.
Color (Blanco, Claros, Oscuros)	Separe los tejidos blancos de los tejidos de color.
Hilachas (Productores o recolectores de hilachas)	Lave por separado los productores de hilachas los recolectores de hilachas.

3. Cuidados antes de la carga

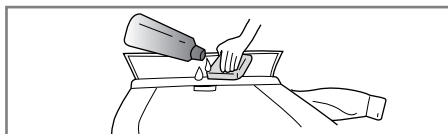
Mezcle prendas grandes y pequeñas en una misma carga. Cargue los artículos grandes en primer lugar. Los artículos grandes no deben representar más de la mitad del total de la carga. No lave prendas por separado. Esto puede provocar una carga desequilibrada. Añada uno o dos artículos similares.



- Compruebe que todos los bolsillos están vacíos. Los objetos tales como clavos, horquillas, cerillas, bolígrafos, monedas y llaves pueden dañar tanto su lavadora como su ropa.



- Cierre las cremalleras, corchetes y cordones para asegurarse de que estos artículos no se enganchen en otras prendas.



- Trate previamente la suciedad y las manchas cepillando con un poco de detergente disuelto en agua sobre las manchas como cuellos y puños de camisas para quitar mejor la suciedad.

Uso del dispensador

El dispensador automático consiste de cuatro compartimentos que almacenan: 1) blanqueador líquido clorado, 2) suavizante para telas líquido, 3) detergente líquido o en polvo para el prelavado y 4) detergente en polvo o líquido y blanqueador para los colores en el lavado principal. Todos los productos de lavandería pueden ser añadidos al mismo tiempo en su respectivo compartimiento dispensador. Estos se mezclarán a su debido tiempo para lograr la limpieza más efectiva. Después de cargar los aditivos para el lavado en el dispensador, cierre la tapa del dispensador.

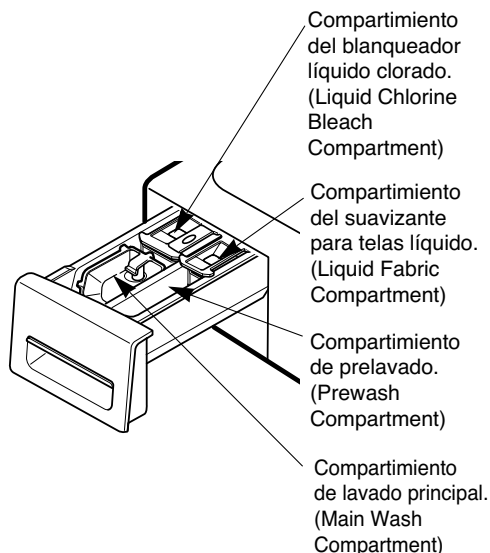
Añada detergente, blanqueador y suavizante para telas al dispensador automático de acuerdo con los siguientes pasos:

1. Abra el cajón del dispensador.
2. Ponga los productos para el lavado en los compartimientos apropiados.
3. Cierre el cajón del dispensador.

■ Acerca del Detergente

Para esta lavadora se recomienda un detergente poco espumoso. Use la cantidad recomendada por el fabricante. Si no hay detergente de poca espuma disponible, una cantidad reducida de detergente regular puede ser usado. Debido a que la reducción en la cantidad de detergente puede reducir la limpieza, es importante que trate con anterioridad las manchas, clasifique cuidadosamente por el color y nivel de suciedad, y evite la sobrecarga. El uso de detergente puede necesitar ser ajustado según la temperatura del agua, dureza del agua, y el tamaño y el nivel de suciedad de la carga. Para mejores resultados, evite usar demasiado detergente.

NOTA: El detergente líquido se drenará al tambor de la lavadora al ser añadido al dispensador.



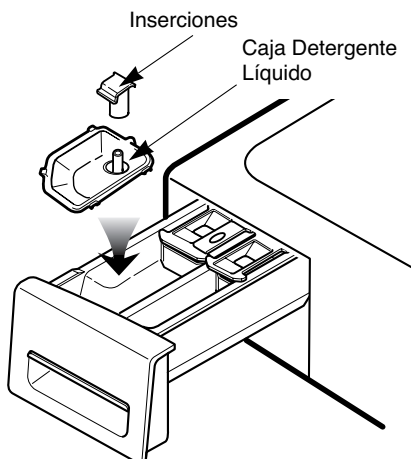
1. Compartimiento del Detergente para Prelavado

- Añada detergente a este compartimiento cuando use la opción de Prelavado. En este compartimiento se puede usar detergente tanto líquido como en polvo. El detergente será dispensado automáticamente durante el Prelavado si la función Prelavado es seleccionada.
- Añada la mitad de la cantidad recomendada de detergente en el compartimiento de Prelavado y la cantidad recomendada en el compartimiento de lavado principal.

NOTA: El detergente líquido se drenará al tambor de la lavadora al ser añadido al dispensador.

2. Compartimiento de Detergente del Lavado Principal

- Añada el detergente con medida a este compartimiento para el lavado Principal. El detergente es drenado del distribuidor al comenzar el ciclo. Puede usarse tanto detergente líquido como en polvo.
- Puede añadirse blanqueador que cuide los colores al compartimiento del Lavado Principal junto con el mismo tipo de detergente, líquido ó en polvo.
- Cuando use detergente líquido, asegúrese de que estén insertados correctamente en su compartimento. No rebase la línea de llenado máximo.
- Para detergente en polvo, remueva el compartimento para detergente líquido.
- El detergente en polvo no debe mezclarse con detergente líquido en el mismo compartimento.



3. Compartimiento de Blanqueador Líquido

- Añada cloro líquido blanqueador a este compartimiento. El blanqueador será distribuido automáticamente a su debido tiempo durante el ciclo.
- No rebase la línea de llenado máximo. El sobrellenado puede causar derrames tempranos de blanqueador, lo que puede resultar en prendas dañadas.
- No vierta cloro líquido sin diluir directamente en el cilindro ó sobre la ropa. Puede ocurrir daño a las telas.
- No use blanqueador en polvo en este compartimiento.


4. Compartimiento de Suavizante de Telas

- Añada la cantidad recomendada de suavizante de telas a este compartimiento.
- Diluya suavizantes concentrados con agua tibia hasta llegar a la línea de llenado.
- No exceda la línea de llenado máximo. El sobrellenado puede causar derrames tempranos de suavizante, lo que puede resultar en prendas sucias.
- No vierta el suavizante de telas directamente sobre la carga de lavado.
- El suavizante de telas será distribuido automáticamente durante el último ciclo de enjuague.

NOTA: No coloque, guarde o derrame productos de lavado (jabón, detergente, blanqueador, suavizante, etc.) en la parte superior de su lavadora o secadora. Estos productos pueden dañar el terminado o los controles si se deja por mucho tiempo ahí.

Función

■ Usted puede seleccionar ciclos diseñados para diferentes tipos de telas y niveles de suciedad.

Ciclo	Tipo de Tela	Temperatura de Lavado / Enjuague	Velocidad de Centrifugado	Nivel de Suciedad	Prelavado	Ciclo Rápido	Más Agua	Ciclo de Manchas	Enjuague Extra	Enjuague+ Centrifugado
Voluminoso/ Grande	Prendas grandes como mantas y edredones	Tibia/Fría	Bajo	Normal	○	○	○	○	○	○
		Tibia/Tibia Caliente/Fría Ligeramente Fría/Fría Fría/Fría	Medio Sin Centrifugado	Pesado Ligeramente						
Algodón/ Toallas	Algodón, Lino, Toallas, Camisetas, sábanas	Tibia/Fría	Fuerte	Normal	○	○	○	○	○	○
		Tibia/Tibia Caliente/Fría Ligeramente Fría/Fría Fría/Fría	Extra Fuerte Sin Centrifugado	Pesado Ligeramente						
Normal	Cargas mixtas, ropa de trabajo, jeans, camisas	Tibia/Fría	Fuerte	Normal	○	○	○	○	○	○
		Tibia/Tibia Caliente/Fría Ligeramente Fría/Fría Fría/Fría	Extra Fuerte Sin Centrifugado	Pesado Ligeramente						
Planchado Permanente	Pantalones, camisas de vestir, ropa sin arrugas, mezclas de poly/ algodón, manteles, etc.	Tibia/Fría	Medio	Normal	○	○	○	○	○	○
		Tibia/Tibia Caliente/Fría Ligeramente Fría/Fría Fría/Fría	Fuerte Sin Centrifugado	Pesado Ligeramente						
Delicados	Camisas de vestir, blusas, medias de nylon, prendas con encaje	Fría/Fría	Medio	Normal	○	○	○	○	○	○
		Tibia/Fría Tibia/Tibia Ligeramente Fría/Fría	Sin Centrifugado	Pesado Ligeramente						
Lavado a Mano/ Lana 	Prendas etiquetadas como "lavables a mano (hand-washable)"	Tibia/Fría	Medio	Normal	○	○	○	○	○	○
		Tibia/Tibia Ligeramente Fría/Fría Fría/Fría	Sin Centrifugado	Ligeramente						
Lavado Rápido	Ropa Ligeramente Sucia	Caliente/Fría	Extra Fuerte	Ligeramente	○	○	○	○	○	○
		Ligeramente Fría/Fría Fría/Fría Tibia/Fría Tibia/Tibia	Sin Centrifugado	Normal Pesado						

LAVADO A MANO/LANA

- Sólo las prendas de lana marcadas como "apta para lavadora" deben lavarse en esta máquina.
- Lave sólo pequeñas cargas para un cuidado óptimo de las telas (menos de 3,6 kg)
- Sólo deben usarse detergentes neutrales (aptos para lana) (Sólo se necesita una pequeña cantidad de detergente debido al tamaño pequeño de carga y el bajo volumen de agua del ciclo).
- El ciclo LAVADO A MANO/LANA utiliza un secado delicado y un centrifugado de baja velocidad para un cuidado extremo de las telas.



El ciclo de lavado de lana de esta máquina ha sido aprobado por Woolmark para el lavado de productos Woolmark aptos para lavadoras siempre que tales productos se laven de acuerdo con las instrucciones de la etiqueta de la prenda y las emitidas por el fabricante de esta lavadora, M0807.

Cómo utilizar la lavadora



1. Encendido (⏻)

- Presione el botón Encendido para encender y apagar la lavadora.

2. Ciclos

- Gire la perilla selectora de ciclos para seleccionar el ciclo designado para los diferentes tipos de telas y niveles de suciedad.
- Cada ciclo tiene una temperatura de Lavado / Enjuague, velocidad de centrifugado, nivel de suciedad y Opciones predeterminadas (Véase página 35).
- La configuración predeterminada puede ser cambiada en cualquier momento antes de comenzar el ciclo.

NOTA:

Esta lavadora de carga frontal requiere un tiempo de ciclo más largo, y obtendrá una mejor limpieza, aun es más gentil en las prendas, que las lavadoras de carga superior. El tiempo de lavado se puede reducir significativamente para cargas pequeñas o para prendas ligeramente sucias, solo seleccionando el "Ciclo Rápido" con el botón "Opción" y programando el botón de "Nivel de Suciedad", iluminándose la opción.

3. Inicio/Pausa (⏻)

- El botón Inicio/Pausa se utiliza para inicio el ciclo de lavado o para detenerlo.

NOTA:

Si usted no presiona el botón Iniciar/Pausa en los límites de 4 minutos que se dan para seleccionar el ciclo, el lavado automático se apagará.

4. Reserva

- Permite el comienzo de cualquier ciclo con una demora desde 1 hasta 12 h
- Escoja la selección apropiada para su carga, después presione el botón de Reserva una vez para una hora o presione nuevamente para aumentar el tiempo de lavado demorado hasta 12 h en incrementos de una hora.

5. Más Agua

- Añade agua adicional a los ciclos de lavado y de enjuague para mejores resultados.

6. SPINSENSE™

- SPINSENSE™ puede ser usado cuando el piso es de madera o cuando uno tiene la preocupación de que vibre la lavadora.
- Presione el botón más agua por 3 seg para operar SPINSENSE™.
- Cuando se escoge la opción de Spin Speed la luz en el botón se encenderá y apagará continuamente.
- Presione el botón del más agua por 3 seg de nuevo para cancelar el ciclo SPINSENSE™.
- Si el ciclo SPINSENSE™ fue seleccionado, el ciclo continuara aplicandose mientras la lavadora está en uso.
- La opción 'SPINSENSE' no puede ser seleccionado durante ciclo de centrifugado.

7. Enjuague Extra

- Esta opción provee un enjuague adicional.
- Use esta opción para asegurar la eliminación de residuos de detergente ó blanqueador de las prendas.

Cómo utilizar la lavadora



8. Temperatura de Lavado/Enjuague

- Seleccione la temperatura del agua basándose en el tipo de carga que esté lavando.
- Siga las instrucciones de cuidado de las prendas y clasifíquelas según la tabla de abajo para mejores resultados.

Temperatura del Agua de Lavado	Ropa
Caliente 122°F (50°C)	Artículos blancos y otros muy sucios que no se destiñan
Tibia 104°F (40°C)	La mayoría de las cargas.
Fría 77°F (25°C)	Lanas lavables, artículos de colores vivos o fuertes

- Un enjuague tibia deja las carga más seca que un enjuague fría. Un enjuague tibia incrementa las arrugas.
- En climas frías, un enjuague tibia hace la carga mas cómoda de manejar.
- Un enjuague fría ahorra energía.
- Las temperaturas de los enjuagues frías dependen de la temperatura del agua fría de su grifo.
- Los enjuagues tibias están regulados a 86°F (30°C) aproximadamente.
- Para el ajuste Fría/Frío del grifo, tanto la temperatura del lavado como del enjuague depende de la temperatura del agua fría de su grifo.

9. Velocidad de Centrifugado

- Para cambiar la velocidad de centrifugado, presione el botón de Velocidad de Centrifugado hasta configurar la velocidad deseada.
- **Para comenzar el ciclo del Drenar/Centrifugado:**
 1. Presione **Encendido**() para girarse.
 2. Presione el botón de Velocidad de Centrifugado solamente.
 3. Presione **Inicio/Pausa**()

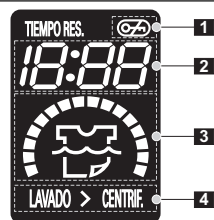
10. Nivel de Suciedad

- Para cambiar el nivel de suciedad, presione el botón de **Nivel de Suciedad** hasta obtener la configuración deseada.

11. Alarma

- Presione repetidamente hasta ajustar el volumen de la alarma.

LA PANTALLA DE LED



1. INDICADOR DE SEGURO DE LA COMPUERTA

Indica que la compuerta está asegurada. La compuerta de la lavadora se asegurará mientras la lavadora se encuentra funcionando. Se puede liberar la compuerta apretando el botón INICIO/PAUSA ubicado en la parte superior de la lavadora.

2. TIEMPO RESTANTE ESTIMADO

Cuando se aprieta el botón INICIO/PAUSA, la lavadora detecta automáticamente la carga de lavado (peso) y optimiza el tiempo de lavado, en base al ciclo y las opciones seleccionados. Luego la pantalla indicará el tiempo restante estimado para dicho ciclo.

NOTA:

El tiempo de ciclo mostrado puede mostrarse mucho más largo que el de una lavadora de carga superior. El tiempo mostrado corresponde al ciclo completo, y no solo la porción de agitación del ciclo, como se muestra típicamente en una lavadora de carga superior.

3. INDICADOR DE COMPLETACIÓN DE CICLO

Muestra la porción del ciclo de lavado actual que se ha completado.

4. PANTALLA DE ESTADO/CICLO

Esta porción de la pantalla muestra el ciclo seleccionado, el estado de funcionamiento y los mensajes especiales. Si el ciclo tiene instrucciones especiales, también se mostrarán en esta área.

Cómo utilizar la lavadora

OPCIÓN

1. Prelavado

- Use esta opción para cargas que requieran tratamiento previo. Añade 16 min de prelavado y desagüe.

2. Enjuague+Centrifugado

- Use esta opción para enjuagar y luego Centrifugado.

3. Ciclo Rápido

- El Ciclo Rápido ofrece un ciclo de tiempo rápido.
- Su uso se sugiere para refrescar prendas recién adquiridas ó prendas que han sido empacadas por un tiempo.

4. Ciclo de Manchas

- Añade más tiempo a los ciclos de lavado y enjuagado para mejor remoción de manchas.
- Provee un enjuague automáticamente.

5. Limpieza de la Tina

1. Retire toda la ropa que se encuentre en el interior de la lavadora y cierre la puerta.
2. Abra el despachador de detergentes y agregue blanqueador a su compartimento.

NOTA:

No agregue detergente al compartimento del detergente. Tenga cuidado si usted coloca demasiado puede ocasionar goteras dentro de la lavadora.

3. Cierre el despachador de detergente suavemente.
4. Para prender la máquina, presionar el botón 'Opción' y luego seleccionar la opción 'Limpieza de la tina'.
5. Presione el botón de Inicio/Pausa.
6. Una vez que el ciclo concluyó, deje la puerta abierta y seque alrededor de la puerta, su puerta de vidrio.

⚠ PRECAUCIÓN:

Si hay algún niño pequeño, tenga cuidado de no dejar la puerta abierta.

NOTA:

Remueva depósitos de agua dura usando únicamente productos que en la etiqueta digan que es seguro su uso en lavadoras.

TIEMPO RESTANTE ESTIMADO

- Esta pantalla muestra:
 - a) El tiempo restante estimado en el ciclo cuando este está operando.
 - b) El código de error cuando este ha sido detectado.

INDICADOR DE ESTADO

- Estas luces señalan en que parte del ciclo se está operando. (Véase página 37)

BLOQUEO PARA NIÑOS




OPCIÓN
Presione y sostenga
por 3 segundos
para BLOQUEO PARA NIÑOS

- Use esta opción para prevenir el uso no deseado de la lavadora. Presione y sostenga el botón de **Opción** por 3 segundos para bloquear/desbloquear el control.
- Cuando esté puesto el bloqueo para niños, parpadean las letras "L L" y todos los botones son lisiados excepto en boton de Encendido.

PUERTA ASEGURADA

- Se enciende siempre que la puerta de la lavadora está asegurada.
- La puerta puede desasegurarse presionando el botón Inicio/Pausa para detener la lavadora.

NOTA:

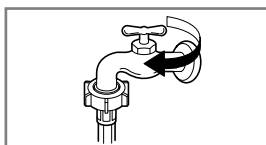
Si la temperatura o nivel de agua son muy altas, la puerta no puede ser desbloqueada. No trate de forzar la puerta para abrirla cuando la luz de PUERTA ASEGURADA  esté encendida.

Mantenimiento

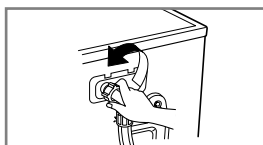
- * Retire las prendas de la lavadora tan pronto como termine el ciclo. En los artículos que quedan en la lavadora se puede desarrollar un exceso de arrugamiento, transferencia de color y olores.
- * Antes de limpiar el interior de la lavadora, desenchufe el cable de alimentación eléctrica para evitar riesgos de descarga eléctrica.
- * Cuando ya no utilice la lavadora, desconecte los cables principales y quite el conector. Deconecte el seguro de la puerta para evitar que niños pequeños se queden atrapados dentro de la lavadora.

■ El filtro de entrada del agua

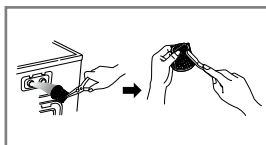
- El mensaje de error "i E" parpadea en el panel de control porque no entra agua en el cajón del detergente.
- Si el agua es muy dura o contiene rastros de depósitos de cal, el filtro de entrada del agua se puede obstruir. Por lo tanto, es buena idea limpiarlo de vez en cuando.



1. Cierre el grifo del agua.



2. Desatornille la manguera de entrada del agua.



3. Limpie el filtro utilizando un cepillo de cerdas duras.



4. Apriete la manguera de entrada.

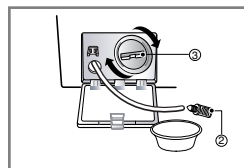
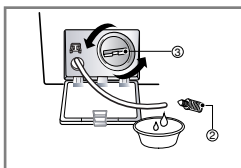
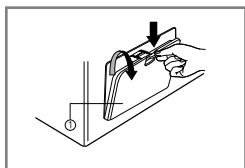
■ El filtro de la bomba de drenaje

- * El filtro de drenaje recoge los hilos y pequeños objetos que quedan en la coladera. Compruebe con regularidad que el filtro está limpio para garantizar un funcionamiento uniforme de su máquina.

▲ PRECAUCIÓN Primero utilice la Manguera de drenaje y después abra la bomba para eliminar aquello que pueda haberla detenido.

- * Permita que el agua se enfríe antes de limpiar el drenaje, permitiendo un drenado de emergencia o abriendo la puerta en una emergencia

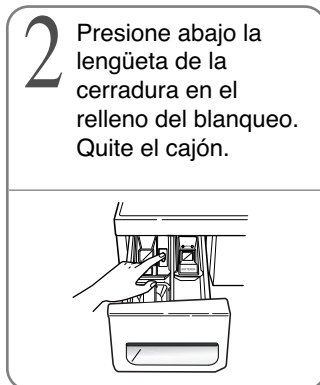
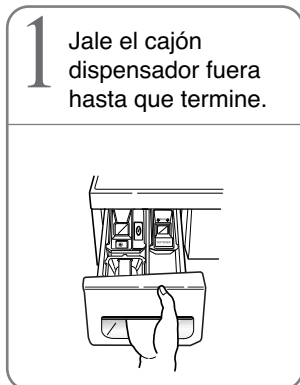
1. Abra el tapón de la cubierta inferior (①) utilizando un dedo. Gire el tapón de drenaje (②) para sacar la manguera.
2. Desconecte el tapón de drenaje (②) dejando que el agua fluya hacia fuera. En este momento utilice un recipiente para impedir que el agua caiga al suelo. Si ya no sale agua, gire el filtro de la bomba (③) a la izquierda hasta abrirlo totalmente.
3. Saque cualquier material extraño del filtro de la bomba (③). Después de la limpieza, gire el filtro de la bomba (③) en el sentido de las agujas del reloj e inserte el tapón de drenaje (②) en su lugar original. Cierre el tapón de la cubierta inferior.



Mantenimiento

■ Limpieza del Dispensador

- El dispensador puede necesitar que lo limpien periódicamente debido a los residuos de los aditivos de lavandería.



- Una vez retirado el contenedor de dos compartimentos del dispensador principal, llévelo a la tina de lavar. Deje correr agua tibia y limpie con un cepillo suave o trapo sobre las dos partes para eliminar cualquier resto de aditivos de lavandería.
- Limpie el área del dispensador principal usando agua y un trapo suave. Una vez que el dispensador principal esté limpio, siga las ilustraciones en orden inverso para colocar el contenedor de dos compartimentos en su lugar original.

NOTA: No use ninguna sustancia de limpieza en la apertura del cajón más que agua porque se drenará al tina. Si esto sucediera, ponga la lavadora a realizar un ciclo de enjuague y centrifugado para remover cualquier residuo de la sustancia limpiadora antes de lavar ropa.

■ El Tambor de lavado

- Si vives en una zona donde el nivel de dureza del agua es alto, se forma cal en zonas que nosotros no podemos ver y que no pueden ser eliminadas fácilmente. Con el tiempo, es necesaria una revisión periódica, debido a que el cúmulo de cal puede dañar el tambor y éste deberá ser sustituido.
- Aunque el tambor esté hecho de acero inoxidable, pueden aparecer manchas de óxido causadas por pequeños artículos de metal (clips, prendedores) que se hayan caído por descuido.
- El Tambor debe ser limpiado periódicamente.
- Si usa agentes desincrustantes, tintes ó lejías, asegúrese de que son los adecuados para el funcionamiento correcto de la lavadora.
- * Algunos agentes desincrustantes pueden tener componentes que dañen algunas partes de la lavadora.
- * Limpie las manchas del tambor con un detergente adecuado que no dañe la superficie.
- * No utilice nunca estropajo.

Mantenimiento

■ El inyector de la circulación del agua

- Limpie el inyector de la circulación del agua, si está estorbando.

■ Limpieza de su lavadora

1. Exterior

El cuidado adecuado de su lavadora puede ampliar su vida útil.

La parte exterior de la máquina se puede limpiar con agua templada y un detergente doméstico no abrasivo neutro.

Seque inmediatamente cualquier agua que se derrame. Límpiela con un trapo húmedo. Procure no dañar la superficie con objetos afilados.

* **IMPORTANTE:** No utilice alcohol etílico, diluyentes ni productos similares.

2. Interior

Seque la parte que rodea el hueco de la puerta, la junta flexible y la puerta de cristal.

Estas áreas deben estar siempre limpias para asegurar un sellado hermético.

Haga funcionar la lavadora durante un ciclo completo utilizando agua caliente.

Repita el proceso si es necesario.

• Para comenzar el ciclo:

1. Retire toda la ropa que se encuentre en el interior de la lavadora y cierre la puerta.

2. Abra el despachador de detergentes y agregue blanqueador a su compartimiento.

NOTA: No agregue detergente al compartimiento del detergente. Tenga cuidado si usted coloca demasiado puede ocasionar goteras dentro de la lavadora.

3. Cierre el despachador de detergente suavemente.

4. Para prender la máquina, presionar el botón 'Opción' y luego seleccionar la opción 'Limpieza de la tina'.

5. Presione el botón de Iniciar/Pausa.

6. Una vez que el ciclo concluyó, deje la puerta abierta y seque alrededor de la puerta, su puerta de vidrio.

▲ **PRECAUCIÓN:** Si hay algún niño pequeño, tenga cuidado de no dejar la puerta abierta.

NOTA: Quite los depósitos de agua dura utilizando solamente limpiadores etiquetados como seguros para la lavadora.

■ Instrucciones de protección para el invierno

Si la lavadora se guarda en una zona en la que se puede producir congelación o se traslada a temperaturas de congelación, siga estas instrucciones de protección para el invierno, con el fin de evitar daños en la lavadora.

1. Cierre el grifo de suministro de agua.

2. Desconecte las mangueras del suministro de agua y vacíe el agua de las mangueras.

3. Enchufe el cable eléctrico en una toma eléctrica correctamente puesta a tierra.

4. Añada 3,8 l de anticongelante no tóxico de caravanas pequeñas para vaciar el tambor de la lavadora. Cierre la puerta.

5. Ajuste el ciclo de centrifugado y deje que la lavadora centrifugue durante 1 min para vaciar todo el agua. No se expulsará todo el anticongelante.

6. Desenchufe el cable de alimentación eléctrica, seque el interior del tambor y cierre la puerta.

7. Retire el contenedor de los compartimientos del Dispensador. Drene el agua que haya en los compartimientos y seque los compartimientos.

8. Guarde la lavadora en posición derecha.

9. Para quitar el anticongelante de la lavadora después de su almacenaje, haga funcionar la lavadora en vacío a través de un ciclo completo utilizando detergente. No añada carga de lavado.

Guía para la resolución de fallas

* Esta lavadora está equipada con funciones automáticas de seguridad que detectan y diagnostican averías en un estado inicial y que reaccionan de forma adecuada.











Cuando la máquina no funciona correctamente o no funciona en absoluto, compruebe los puntos siguientes antes de llamar al Departamento de Servicio.

Síntoma	Posible causa	Solución
Ruido de traqueteo y chirridos	<ul style="list-style-type: none"> • Puede haber objetos extraños tales como monedas o clips en el tambor o en la bomba. 	<p>Pare la lavadora y revise el tambor y el filtro de drenaje.</p> <p>Si continua el ruido después de arrancar de nuevo la lavadora, llame a su agente de servicio autorizado.</p>
Sonido retumbante	<ul style="list-style-type: none"> • Las cargas de lavado pesadas pueden producir un sonido retumbante. Esto generalmente es normal. 	<p>Si el sonido continúa, la lavadora probablemente está desequilibrada. Párela y distribuya la carga de lavado.</p>
Ruido de vibraciones	<ul style="list-style-type: none"> • Ha quitado todos los tornillos de transporte y el embalaje? • Carga de lavado distribuida de manera no uniforme en el tambor. • Descansan firmemente todas las patas en el suelo? 	<p>Si no se han quitado durante la instalación. Véase la sección sobre la instalación para quitar los tornillos de transporte.</p> <p>Pare la lavadora y redistribuya la carga de lavado.</p> <p>Ajuste las patas.</p> <p>Asegúrese que las cuatro patas estén en firme contacto con el suelo, mientras que la lavadora está en ciclo de la giro con la carga.</p>
Fugas de agua	<ul style="list-style-type: none"> • La conexión de la manguera de llenado está floja en el grifo o en la lavadora. • Las tuberías de desagüe de la casa están obstruidas. 	<p>Compruebe y apriete las conexiones de la manguera.</p> <p>Desobstruya la tubería de drenaje. Póngase en contacto con un fontanero si es necesario.</p>
Exceso de agua jabonosa		<p>Demasiado detergente o detergente inapropiado? La formación de espuma puede provocar fugas de agua.</p> <p>Pruebe con otro grifo de la casa.</p>
No entra agua en la lavadora o entra despacio	<ul style="list-style-type: none"> • El suministro de agua no es adecuado en la zona. • El grifo de suministro del agua no está completamente abierto. • La manguera de entrada del agua está retorcida • El filtro de la manguera de entrada está obstruido. 	<p>Grifo completamente abierto.</p> <p>Enderece la manguera.</p> <p>Compruebe el filtro de la manguera de entrada.</p>
El agua de la lavadora no se vacía o se vacía lentamente.	<ul style="list-style-type: none"> • La manguera de drenaje está retorcida u obstruida. • El filtro de drenaje está obstruido. 	<p>Limpie y enderece la manguera de drenaje.</p> <p>Limpie el filtro de drenaje.</p>

G Guía para la resolución de fallas

Síntoma	Posible causa	Solución
<p>La lavadora no arranca</p> <p>La lavadora no centrifuga</p>	<ul style="list-style-type: none"> • El cable de alimentación eléctrica quizás no esté enchufado o la conexión puede estar floja. • Fusible de la casa fundido, disyuntor disparado o se ha producido un corte en el suministro eléctrico. • El grifo del suministro del agua no está abierto. * Compruebe que la puerta está firmemente cerrada. 	<p>Asegúrese de que el enchufe ajusta correctamente en la toma de corriente.</p> <p>Reinicie el disyuntor o sustituya el fusible. No aumente la capacidad del fusible. Si el problema es una sobrecarga del circuito, haga que lo corrija un electricista calificado.</p> <p>Abra el grifo de suministro del agua.</p> <p>Cierre la puerta y pulse el botón Inicio/Pausa. Después de pulsar el botón Inicio/Pausa, puede pasar cierto tiempo antes de que la lavadora comience a centrifugar. La puerta se debe bloquear antes de que se pueda conseguir el centrifugado.</p>
<p>Retardo del tiempo de ciclo de lavado</p>	<p>El tiempo de lavado puede variar debido a la cantidad de ropa, la presión del grifo del agua, la temperatura del agua y otras condiciones de uso.</p>	<p>Si se detecta un desequilibrio o si funciona el programa de eliminación de agua jabonosa, el tiempo de lavado aumentará por encima del tiempo previsto.</p>

G Guía para la resolución de fallas

Síntoma	Posible causa	Solución
	<ul style="list-style-type: none"> • El suministro de agua no es adecuado en la zona. • Los grifos de suministro de agua no están completamente abiertos. • La manguera de entrada de agua está retorcida. • El filtro de la manguera de entrada está obstruido. 	<p>Pruebe con otro grifo de la casa.</p> <p>Abra completamente el grifo.</p> <p>Enderece la manguera.</p> <p>Compruebe el filtro de la manguera de entrada.</p>
	<ul style="list-style-type: none"> • La manguera de drenaje está retorcida u obstruida. • El filtro de drenaje está obstruido. 	<p>Limpe y enderece la manguera de drenaje.</p> <p>Limpe el filtro de drenaje.</p>
	<ul style="list-style-type: none"> • La carga es demasiado pequeña. • La carga está desequilibrada. • El aparato posee un sistema de detección y corrección de desequilibrios. Si se cargan artículos individuales pesados (alfombrillas de baño, etc.) este sistema puede detener el centrifugado o incluso interrumpir el ciclo de centrifugado conjuntamente si el desequilibrio es demasiado grande incluso después de que comiencen varios centrifugados. • Si la ropa está aún demasiado húmeda al final del ciclo, añada artículos más pequeños de ropa a lavar para equilibrar la carga y repita el ciclo de centrifugado. 	<p>Añada 1 o 2 artículos similares para contribuir a equilibrar la carga.</p> <p>Redistribuya la carga para conseguir un centrifugado adecuado.</p>
 	<ul style="list-style-type: none"> • Está abierta la puerta? 	<p>Cierre la puerta.</p> <p>Si no desaparece " dE ", llame al servicio técnico.</p>
		<p>Desenchufe el cable de alimentación y llame al servicio técnico.</p>
	<ul style="list-style-type: none"> • Si hay un exceso de agua debido a una válvula de agua defectuosa, obtendrá " FE " en la pantalla. 	<p>Cierre el grifo del agua.</p> <p>Desconecte el enchufe de toma de corriente.</p> <p>Llame al servicio técnico.</p>
	<ul style="list-style-type: none"> • Aparece " PE " si hay un fallo de funcionamiento del sensor del nivel del agua. 	
	<ul style="list-style-type: none"> • Sobrecarga en el motor. 	<p>Deje la lavadora en espera por 30 minutos para permitir que se enfríe el motor; luego reinicie el ciclo. Si aparece el código de error LE, desenchufe la lavadora y llame a mantenimiento.</p>
	<ul style="list-style-type: none"> • La lavadora estuvo sometida a una falta de alimentación eléctrica. 	<p>Vuelva a comenzar el ciclo.</p>

Términos de la garantía

EXCLUSIONES DE LA GARANTIA :

- Incumplimiento de cualquiera de los requisitos del punto anterior.
- Todo componente o accesorio interior o exterior del aparato, que no esté especificado e incluido en este certificado de garantía.
- Las puestas en marcha y demostraciones de funcionamiento al usuario.
- Si la avería es producida por incendio, inundación, agentes meteorológicos, golpeo, aplastamiento o aplicación de voltaje o energía inadecuada.
- Los daños por el mal trato, incluso los de transportes, que deberán reclamarse en presencia del personal de la Compañía de Transportes, por lo que conviene inspeccionar los paquetes antes de conformar los albaranes de entrega correspondientes.
- Las averías producidas por rotura física, tales como carcasas, plásticos, pinturas, esmaltes, cristales, embellecedores y similares.
- Los productos por mal uso al no atender las instrucciones de funcionamiento y manejo que se adjuntan con cada aparato.
- Por la utilización de accesorios no adecuados en el aparato.
- Las partes de madera, goma, plástico, cristal, agujas, cabezales de registros y reproducción, y los conos de los altavoces.
- Los aparatos que no llevan identificado número de fábrica o que éste haya sido alterado o borrado.
- Cuando el número de serie del aparato no coincida con el número expresado en el certificado de garantía.
- Si el aparato es reparado o manipulado por personal no autorizado por LG ELECTRONICS.
- Las averías producidas por el uso normal del aparato, tales como desgaste de cabezales de vídeo, limpiezas, etc.
- Los trabajos de mantenimiento propios de cada aparato, cualquiera que sea su periodicidad.
- Cuando la avería produzca un componente o accesorio interno o externo al aparato no incluido o especificado en este certificado de garantía.

Durante el tiempo que dure la reparación, no se abonarán daños y perjuicios por el tiempo que el aparato esté fuera de servicios.



LG Electronics Inc.