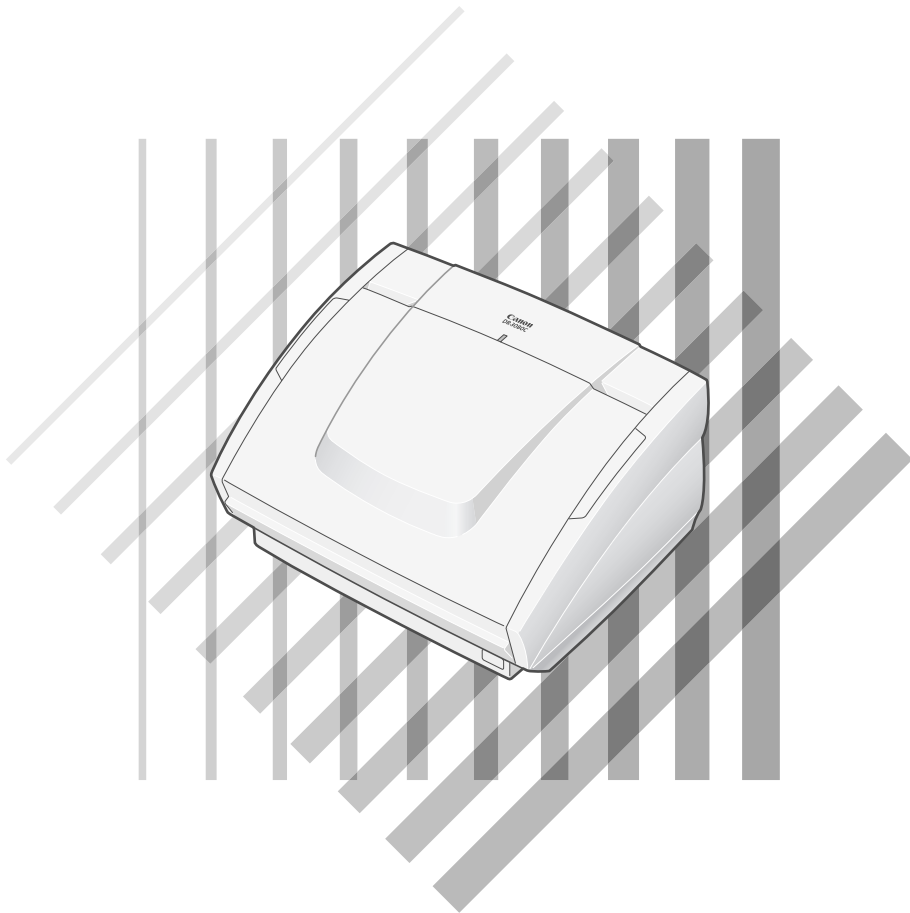


**Canon**

# DR-3080C II

## Startup Manual



Read this manual thoroughly before using this scanner.  
Keep this manual in a safe place for future reference.

## International ENERGY STAR® Office Equipment Program



As an ENERGY STAR partner, Canon Electronics Inc. has determined that this product meets the ENERGY STAR guidelines for energy efficiency.

The International ENERGY STAR Office Equipment Program is an international program that promotes energy saving through the use of computers and other office equipment. The program backs the development and dissemination of products with functions that effectively reduce energy consumption. It is an open system in which business proprietors can participate voluntarily. The targeted products are office equipment such as computers, monitors, printers, fax machines, copiers and Scanners. Their standards and logos are uniform among the participating nations.

## FCC REGULATIONS (For 120 V/220-240 V models)

Document Scanner, Model M11037

This device complies with Part 15 of the FCC Rules. Operation is subject to the following two conditions: (1) This device may not cause harmful interference, and (2) this device must accept any interference received, including interference that may cause undesired operation.

**Note:** This equipment has been tested and found to comply with the limits for a Class B digital device, pursuant to Part 15 of the FCC Rules. These limits are designed to provide reasonable protection against harmful interference in a residential installation. This equipment generates, uses, and can radiate radio frequency energy and, if not installed and used in accordance with the instructions, may cause harmful interference to radio communications. However, there is no guarantee that interference will not occur in a particular installation. If this equipment does cause harmful interference to radio or television reception, which can be determined by turning the equipment off and on, the user is encouraged to try to correct the interference by one or more of the following measures:

- Reorient or relocate the receiving antenna.
- Increase the separation between the equipment and receiver.
- Connect the equipment into an outlet on a circuit different from that to which the receiver is connected.
- Consult the dealer or an experienced radio/TV technician for help.

Use of shielded cable is required to comply with class B limits in Subpart B of Part 15 of FCC Rules.

Do not make any changes or modifications to the equipment unless otherwise specified in the manual. If such changes or modifications should be made, you could be required to stop operation of the equipment.

Canon U.S.A. Inc.

One Canon Plaza, Lake Success NY 11042, U.S.A.

Tel. No. (516)328-5600

## RADIO INTERFERENCE REGULATIONS (For 120 V models)

This digital apparatus does not exceed the Class B limits for radio noise emissions from digital apparatus as set out in the Interference-causing equipment standard entitled "Digital Apparatus", ICES-003 of the Industry Canada.

## RÈGLEMENT SUR LE BROUILLAGE RADIOÉLECTRIQUE (For 120 V models)

Cet appareil numérique respecte les limites de bruits radioélectriques applicables aux appareils numériques de Classe B prescrites dans la norme sur le matériel brouilleur: "Appareils Numériques", NMB-003 édictée par l'Industrie Canada.

## Für EMVG

Dieses Produkt ist zum Gebrauch im Wohnbereich, Geschäfts-und Gewerbebereich sowie in Kleinbetrieben vorgesehen.

## Für 3. GSGV

Maschinenlärminformationsverordnung 3. GSGV, 18.01.1991: Der höchste Schalldruckpegel beträgt 70 dB(A) oder weniger gemäß EN 27779.

## MODEL NAMES

Model DR-3080CII is identical to model M11037.

## **READ CAREFULLY BEFORE OPENING THE SEALED DISK PACKAGE**

### **CANON SOFTWARE LICENSE AGREEMENT**

#### **IMPORTANT-READ THIS AGREEMENT BEFORE OPENING THE SEALED DISK PACKAGE! BY OPENING THE SEALED DISK PACKAGE, YOU ARE DEEMED TO AGREE TO BE BOUND BY THIS AGREEMENT.**

This legal document is a license agreement between you and Canon Electronics Inc. ("Canon"). BY OPENING THE SEALED DISK PACKAGE, YOU ARE DEEMED TO AGREE TO BE BOUND BY THE TERMS OF THIS AGREEMENT. IF YOU DO NOT AGREE TO THE TERMS OF THIS AGREEMENT, DO NOT OPEN THE SEALED DISK PACKAGE AND PROMPTLY RETURN THE CANON SCANNER, THE DISK PACKAGE CONTAINING SCANNER DRIVER SOFTWARE PROGRAMS AND/OR SCANNER UTILITY SOFTWARE PROGRAM PROPRIETARY TO CANON OR ITS LICENSOR (THE "SOFTWARE") AND THE ACCOMPANYING DOCUMENTATION AND OTHER ITEMS TO THE PLACE WHERE YOU OBTAINED THEM FOR A REFUND BEFORE THEY ARE USED OR OPENED OR UNPACKED.

In consideration of the right to use the SOFTWARE, you agree to abide by the terms and conditions of this Agreement.

**1. GRANT OF LICENSE:** Canon grants you the personal, non-exclusive right to use the SOFTWARE only on a single computer. You may physically transfer the SOFTWARE from one computer to another provided that the SOFTWARE is used on only one computer at any time.

You shall not assign, sublicense, sell, rent, lease, loan, convey or transfer to any third party, or send or bring the SOFTWARE out of the country where you originally obtain it to other countries without required authorization of applicable governments, or copy, duplicate, translate or convert to another programming language the SOFTWARE or accompanying documentation, except as expressly provided herein.

Except as expressly permitted under the applicable law, you shall not alter, modify, disassemble, decompile or otherwise reverse engineer the SOFTWARE or accompanying documentation and you also shall not have any third party do so.

**2. BACK-UP COPY:** You may make one copy of the SOFTWARE solely for a back-up purpose or copy the SOFTWARE onto the permanent storage device (e.g. a hard disk) of your computer and retain the original for a back-up purpose. Except as expressly permitted under the applicable law, any other copying of the SOFTWARE is a violation of this Agreement. You must reproduce and include the copyright notice on the back-up copy.

**3. SUPPORT AND UPDATE:** Canon, Canon's affiliate, their distributor or dealer is not responsible for maintaining or helping you to use the SOFTWARE. No updates, fixes or support will be made available for the SOFTWARE.

**4. LIMITED WARRANTY AND DISCLAIMER OF INDEMNITY:** Canon, Canon's affiliate, their distributor or dealer will not guarantee uninterrupted service, or absence or correction of errors. Therefore, the SOFTWARE is licensed on an "AS IS" basis without warranty of any kind. The diskette on which the SOFTWARE is recorded is warranted against defective material or workmanship under normal use for a period of ninety (90) days from the date you purchased the same as evidenced by a receipt or otherwise. The limited warranty does not apply if the failure of the diskette resulted from accident, abuse or misapplication of the SOFTWARE and shall not extend to anyone other than the original user of the SOFTWARE.

CANON, CANON'S AFFILIATE, THEIR DISTRIBUTOR OR DEALER DISCLAIMS ALL IMPLIED WARRANTIES, INCLUDING ANY WARRANTY OF MERCHANTABILITY OR FITNESS FOR A PARTICULAR PURPOSE, WITH RESPECT TO THE SOFTWARE OR ACCOMPANYING DOCUMENTATION.

NEITHER CANON, CANON'S AFFILIATE, THEIR DISTRIBUTOR NOR DEALER IS LIABLE FOR ANY LOSS OR DAMAGE INCLUDING CONSEQUENTIAL OR INCIDENTAL LOSS OR DAMAGE SUCH AS LOSS OF PROFITS, EXPENSE OR INCONVENIENCE, WHATSOEVER CAUSED BY OR ARISING OUT OF THE SOFTWARE, ACCOMPANYING DOCUMENTATION OR THE USE THEREOF.

CANON, CANON'S AFFILIATE, THEIR DISTRIBUTOR OR DEALER SHALL HAVE NO OBLIGATION TO INDEMNIFY YOU AGAINST ANY CLAIM OR SUIT BROUGHT BY A THIRD PARTY ALLEGING THAT THE SOFTWARE, ACCOMPANYING DOCUMENTATION OR THE USE THEREOF INFRINGES ANY INTELLECTUAL PROPERTY OF SUCH THIRD PARTY.

THE ABOVE IS CANON'S ENTIRE LIABILITY AND YOUR EXCLUSIVE REMEDY IN CONNECTION WITH THE SOFTWARE AND ACCOMPANYING DOCUMENTATION.

**5. TERM:** This Agreement is effective upon opening the sealed disk package and remains in effect until terminated. You may terminate this Agreement by destroying the SOFTWARE and any copy thereof. This Agreement will also terminate if you fail to comply with any of the terms of this Agreement. In addition to Canon enforcing its respective legal rights, you must then promptly destroy the SOFTWARE and any copy thereof.

**6. U.S. GOVERNMENT RESTRICTED RIGHTS NOTICE:** The SOFTWARE is provided with RESTRICTED RIGHTS. Use, duplication or disclosure is subject to restrictions as set forth in either subparagraph (c) (1) (ii) of the Rights in Technical Data and Computer Software clause at DFARS 252.227-7013 or subparagraph (c) (1) and (2) of the Commercial Computer Software Restricted Rights Clause at FAR 52.227-19, as applicable.

**7. SEVERABILITY:** In the event that provision of this Agreement is declared or found to be illegal by any court or tribunal of competent jurisdiction, such provision shall be null and void with respect to the jurisdiction of that court or tribunal and all the remaining provisions of this Agreement shall remain in full force and effect.

**8. ACKNOWLEDGEMENT:** BY OPENING THE SEALED DISK PACKAGE, YOU ACKNOWLEDGE THAT YOU HAVE READ THIS AGREEMENT, UNDERSTOOD IT, AND AGREE TO BE BOUND BY ITS TERMS AND CONDITIONS. YOU ALSO AGREE THAT THIS AGREEMENT IS THE COMPLETE AND EXCLUSIVE STATEMENT OF AGREEMENT BETWEEN YOU AND CANON CONCERNING THE SUBJECT MATTER HEREOF AND SUPERSEDES ALL PROPOSALS OR PRIOR AGREEMENTS, VERBAL OR WRITTEN, AND ANY OTHER COMMUNICATIONS BETWEEN YOU AND CANON RELATING TO THE SUBJECT MATTER HEREOF. NO AMENDMENT TO THIS AGREEMENT SHALL BE EFFECTIVE UNLESS SIGNED BY A DULY AUTHORIZED REPRESENTATIVE OF CANON.

Should you have any questions concerning this Agreement, or if you desire to contact Canon for any reason, please write to Canon's local affiliate.

---

## Preface

---

Thank you for purchasing the Canon DR-3080CII scanner. Be sure to read this manual thoroughly before using the scanner in order to ensure that you fully understand how to use the scanner correctly. After you have read this manual, retain it for future reference.

### CAUTION

Be aware of the following points when using this scanner for reproduction:

- Making duplicates of paper currency, coins, government-issued securities and other negotiable instruments is prohibited by law and subject to criminal penalties.
- Making duplicates of government-issued passports as well as licenses, permits, official documents and private documents issued by public or private institutions may also be subject to criminal penalties.
- Making duplicates of written works, music, paintings, prints, maps, drawings, movie stills, photographs and other copyrighted works is prohibited, except when done for personal and noncommercial purposes.

### Copyright

Copyright 2004 by CANON ELECTRONICS INC. All rights reserved. No part of this publication may be reproduced, transmitted, transcribed, stored in a retrieval system, or translated into any language or computer language in any form or by any means, electronic, mechanical, magnetic, optical, chemical, manual, or otherwise, without the prior written permission of CANON ELECTRONICS INC.

### Trademarks

- Microsoft, Windows and Windows NT are registered trademarks of Microsoft Corporation in the United States and/or other countries.
- ISIS is a trademark of Pixel Translations, A division of Captiva Software Corporation, in the United States.
- Intel and Pentium are registered trademarks of Intel Corporation.
- ENERGY STAR is a U.S. registered mark.
- Adobe is the registered trademark of Adobe Systems Incorporated in the United States and/or other countries.
- Product names mentioned herein are for identification purposes only and may be trademarks and/or registered trademarks of their respective companies.

### Other Notice

The information given in these operating instructions is subject to change without notice.

---

## Notational Conventions

The symbols and indications used in this manual are explained below. Familiarize yourself with these symbols and their meanings before reading this manual.



### **WARNING**

**Indicates a warning concerning operations that may lead to death or injury to persons if not performed correctly. In order to use the machine safely, always pay attention to these warnings.**



### **CAUTION**

**Indicates a caution concerning operations that may lead to injury to persons, or damage to property if not performed correctly. In order to use the machine safely, always pay attention to these cautions.**



### **IMPORTANT**

Indicates operational requirements and restrictions. Be sure to read these items carefully in order to operate the machine correctly, and to avoid damage to the machine.



### **Note**

Indicates a clarification of an operation, or contains additional explanations for a procedure. Reading these notes is highly recommended.

---

# Table of Contents

---

<b>Preface</b> .....	<b>2</b>
Notational Conventions .....	3
<b>Table of Contents</b> .....	<b>4</b>
<b>Before Using the Scanner</b> .....	<b>5</b>
To Ensure Safe Operation .....	5
Installation Location .....	5
Power .....	6
Moving the Scanner .....	6
Notes on Normal Handling .....	7
Notes Concerning Disposal .....	8
Features of the DR-3080CII .....	9
Checking the Packing List .....	11
Removing the Protective Tape and Protective Sheet .....	12
Names and Functions of Parts .....	13
<b>Installing the Scanner</b> .....	<b>15</b>
Installation Requirements .....	15
Installation Procedure .....	17
Interface Boards .....	18
SCSI Boards .....	18
USB 2.0 Interface Board .....	18
Connecting the Scanner to Your PC .....	19
Connecting via SCSI .....	19
Connecting via USB .....	21
Connecting the Power Cord .....	22
Turning the Power On/Off .....	23
Turning the Power On .....	23
Recognizing the Scanner .....	23
Turning the Power Off .....	25
<b>Installing the Software</b> .....	<b>26</b>
Installing the ISIS/TWAIN Driver .....	26
Uninstalling the ISIS/TWAIN Driver .....	29
Installing CapturePerfect .....	32
Uninstalling CapturePerfect .....	33
<b>Using the Software</b> .....	<b>35</b>
Using the ISIS/TWAIN Driver .....	35
Using CapturePerfect .....	36
Starting CapturePerfect .....	36
Closing CapturePerfect .....	37
<b>Using the Scanner</b> .....	<b>38</b>
Documents .....	38
Setting Up the Paper Feed Tray and the Document Eject Tray .....	39
Installing the Document Eject Guide .....	41
Loading a Document for Scanning .....	43
Automatic Feeding .....	43
Manual Feeding .....	46
Scanning Folio (Folded Documents) .....	47
Patch Code Sheets .....	48
About Patch Code Sheets .....	48
Functions of Patch Code Sheets .....	49
Using Patch Code Sheets .....	49
Effective Area for Detecting Patch Code Patterns .....	50
Clearing a Paper Jam .....	51
<b>Regular Maintenance</b> .....	<b>54</b>
Cleaning the Scanner .....	54
Cleaning the Scanning Glass and the Rollers .....	55
<b>Troubleshooting</b> .....	<b>56</b>
<b>Specifications</b> .....	<b>63</b>
<b>Index</b> .....	<b>66</b>

---

# Before Using the Scanner

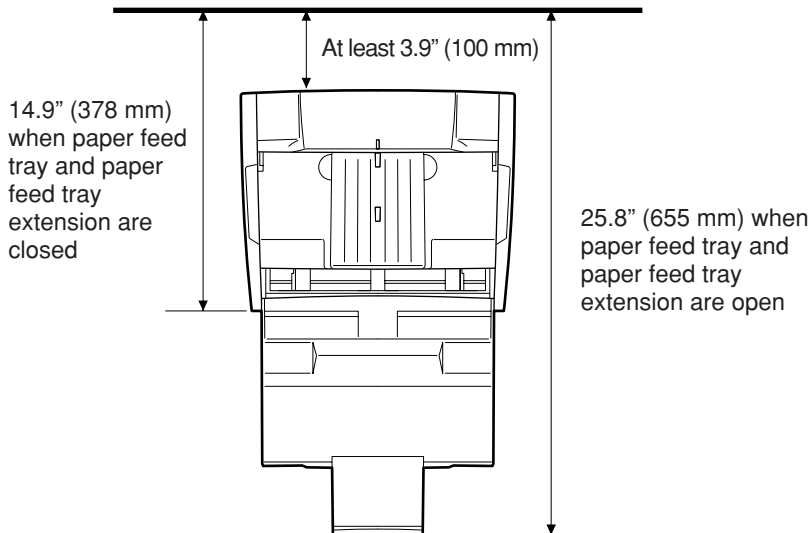
---

## To Ensure Safe Operation

In order to ensure safe operation, be certain to read the cautions described below.

---

## Installation Location



The performance of this scanner is affected by the environment in which it is installed. Make sure that the location where the scanner is installed meets the following environmental requirements.

- Provide adequate space around the scanner (as indicated in the above diagram) for operation, maintenance and ventilation purposes.
- Avoid locations exposed to direct sunlight. If the scanner must be placed in such a spot, hang a heavy curtain, etc., to shade the scanner.
- Avoid dusty locations. Dust can get inside of the scanner and cause problems.
- Avoid warm or humid locations, such as in the vicinity of a water faucet, water heater, humidifier, etc., and avoid locations where the fumes from ammonia, paint thinner, etc., may be present.
- Avoid unstable surfaces and locations subject to vibration.

- 
- Avoid locations that are subject to rapid temperature changes. Condensation inside of the scanner can result in inferior image quality. Use this scanner under the following environmental conditions:
    - Temperature: 10°C to 32.5°C (50°F to 90.5°F)
    - Humidity: 20% to 80% RH
  - Avoid locating the scanner near equipment that generates electromagnetic fields, including speakers, televisions, and radios.

---

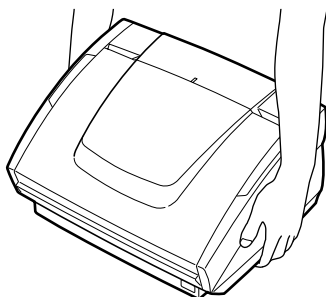
## Power

- Before you plug the power cord into an outlet, be sure that the power source meets the requirements of the scanner.
- Do not connect this scanner to a power outlet that is shared with other equipment. When using an extension cord, make sure that the extension cord is rated for the current requirements of the scanner.
- Do not place other objects on the power cord. Do not step on the power cord.
- Do not bundle the power cord, and do not wrap the power cord around a table or chair leg.
- Do not pull on the power cord. Always grasp the plug when unplugging the power cord.
- Do not place other objects around the outlet.
- If you have any questions concerning your local power supply, contact your local authorized Canon dealer or your local power company.

---

## Moving the Scanner

- To avoid dropping or damaging the scanner, always carry it with two hands. The scanner weighs approximately 17.8 lb (8.1 kg).
- Make sure to disconnect the interface cable and power cord. If the scanner is transported with these items plugged in, the plugs and connectors may be damaged due to physical shock or concussion.





---

## Notes on Normal Handling



### **WARNING**

**To avoid fire and electric shock, always observe the following warnings when using this scanner.**

- Do not place flammable chemicals, such as alcohol or paint thinner, near the scanner.
- Do not cut, damage, or modify the power cord. Do not place heavy objects on the power cord, do not pull on the power cord, and do not bend the power cord sharply.
- Do not plug in or unplug the power cord with wet hands.
- Do not use multi-outlet adapters to connect multiple devices to one outlet.
- Do not tie up or bundle the power cord. Push the plug in as far as it will go when plugging in the power cord.
- Only use the power cord that was provided with this scanner.
- Do not attempt to disassemble or modify this scanner.
- Do not use flammable sprays near this scanner.
- Always turn the scanner off and unplug the power cord before cleaning this scanner.
- To clean this scanner, dampen a cloth in a mild detergent solution and then wring the cloth out thoroughly. Do not use flammable liquids to clean the scanner, including alcohol, benzene, or paint thinner.
- If the scanner ever makes a strange noise, emits smoke or a strange odor, or becomes hot, or if the scanner does not operate at all even though the power is on, immediately turn the scanner off and unplug the power cord. Contact your local authorized Canon dealer or service representative to have the scanner serviced.
- Do not drop, kick, or otherwise strike the scanner. If the scanner does somehow become damaged, immediately turn the scanner off and unplug the power cord. Contact your local authorized Canon dealer or service representative to have the scanner serviced.
- Always turn the scanner off and unplug the power cord before moving the scanner.

---

 **CAUTION**

- Do not set the scanner up on a wobbly platform, a sloped surface, or any other type of unstable location. Do not set up the scanner in a location that is subject to vibration. The scanner could injure someone if it falls or tips over.
- Do not block the ventilation openings. Doing so could cause the scanner to overheat, creating a risk of fire.
- Do not place paper clips, staples, necklaces or any other metallic objects on top of the scanner. Liquids or small metallic objects that get inside of the scanner create a risk of fire or electric shock. If such foreign matter does get inside of the scanner, unplug the power cord immediately, and then contact your local authorized Canon dealer or service representative for assistance.
- Do not set up the scanner in a dusty or humid location. Doing so creates a risk of fire or electric shock.
- Do not place objects on top of the scanner. The object could injure someone if it falls or tips over.
- To prevent any risk of fire or electric shock, be sure that the power source meets the power requirements of the scanner.
- When unplugging the power cord, always grasp the plug. Pulling on the cord itself could expose or break the wires in the power cord, damaging the cord and creating a risk of fire or electric shock.
- In order to allow you to easily unplug the power cord at any time, do not place other objects around the power outlet. Such obstacles could prevent you from unplugging the power cord quickly in an emergency.
- Do not spill liquids or flammable chemicals (such as alcohol, paint thinner, or benzene) on the scanner. Doing so creates a risk of fire or electric shock.
- If the scanner will not be used for an extended period of time, unplug the power cord for safety's sake.
- When operating this scanner, avoid wearing loose-fitting clothing, dangling jewelry, or other material that could get pulled into the scanner. Injury could result. Be especially careful if you are wearing a necktie or have long hair. In the event that some article or clothing does get caught in the scanner, turn the power off immediately.
- Be careful when placing paper in the scanner and when removing jammed paper. It is possible to cut your hand on the edge of a sheet of paper.

---

## Notes Concerning Disposal

 **CAUTION**

Always follow the appropriate municipal by-laws or consult your service center when disposing of the scanner.

---

## Features of the DR-3080CII

The main features of the DR-3080CII scanner are listed below.

### ■ **Fast Document Feeding**

Although the scanner is compact, it can rapidly scan up to forty A4 sheets (both sides) per minute, and can scan documents ranging in size from business cards to B4 size documents.

### ■ **Compact Size**

The scanner is extremely compact, 13.5" x 10.9" x 7.5" (W x H x D).  
344 mm x 278 mm x 191 mm(W x H x D).

### ■ **SCSI/USB 2.0 Interface supported**

The scanner is equipped with both SCSI and Hi-Speed USB 2.0 interfaces for connecting to a personal computer.

### ■ **Color/grayscale support**

Documents can be scanned in 24-bit color or 256-level grayscale.

### ■ **Supports a Variety of Scanning Modes\***

The scanner supports the following scanning modes, depending on the document type:

- Single-sided/double-sided mode
- Single-sheet/continuous feed

### ■ **Automatic Document Size Detection\***

The scanner automatically detects the size of a scanned document and eliminates any unnecessary space around the edges of the document when storing it, even when storing a document of irregular size.

### ■ **Folio Scan**

A folio (folded in half) document can be set for scanning as it is and the scanned images of both sides are put together in a page.

### ■ **Dropout Color**

The scanner is equipped with a "dropout color" function that allows you to specify a color for the scanner to omit from scanned images. (This correction is made by the ISIS/TWAIN driver.)

### ■ **Deskew**

The deskew function automatically straightens an image if the document was loaded askew. (This correction is made by the ISIS/TWAIN driver.)

### ■ **Advanced Text Enhancement**

The scanner is equipped with an "Advanced Text Enhancement" mode that allows you to clearly scan text printed on a dark background, and text that is written in faint pencil. (This function is implemented by the ISIS/TWAIN driver.)

\* Available when using applications that support these functions.

---

### ■ **Skip Blank Page Function**

The scanner is equipped with a skip blank page function that allows it to scan a document regardless of whether every page is double-sided or single-sided. (This function is implemented by the ISIS/TWAIN driver.)

### ■ **Pre-Scan Function**

The scanner is equipped with a pre-scan function that allows you to adjust the contrast and brightness of a pre-scanned image and then sends the adjusted image to the application software, without needing to scan the document again. (This function is implemented by the ISIS/TWAIN driver.)

### ■ **Auto Start**

The scanner is equipped with an auto start function that automatically initiates scanning when a document is placed in the document feed port. (This function is implemented by the ISIS/TWAIN driver.)

### ■ **Compatible with Carbonless Duplicating Paper**

The scanner is able to scan carbonless duplicating paper.

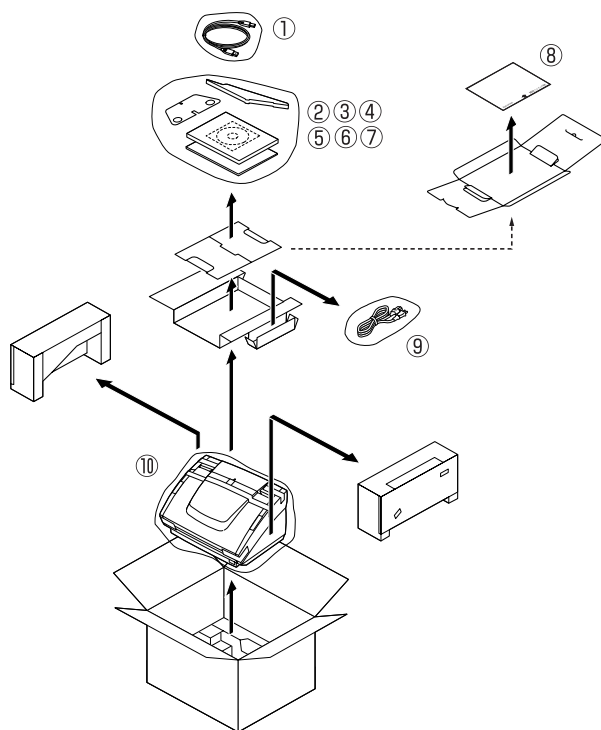
### ■ **Power-saving Feature**

The scanner has a power-saving feature that puts the scanner in low-power mode after it has been idle for a certain period of time.

---

## Checking the Packing List

The contents of the carton in which this scanner is shipped are described below. If anything is missing or damaged, contact your local authorized Canon dealer or service representative.



- ① USB Cable    ② Document Eject Guide  
③ Auxiliary Paper Support Plate    ④ Setup Disc (CD-ROM)  
⑤ Startup Manual (This Manual)    ⑥ Quick Reference Guide  
⑦ Warranty Card (U.S.A. and Canada only)  
⑧ Adjustment Sheet    ⑨ Power Cord    ⑩ Scanner

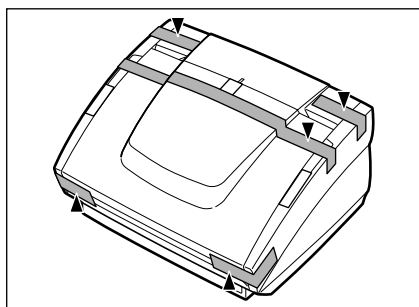
- The contents of the carton are subject to change without notice.
- Keep the carton and the packing material for future use if it is ever necessary to store or transport the scanner.

---

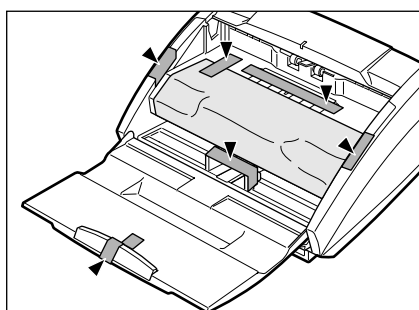
## Removing the Protective Tape and Protective Sheet

Before using the scanner, remove the protective tape and protective sheet that protect the scanner from damage during shipment.

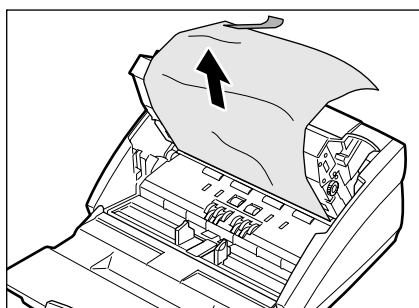
1. Remove the protective tape that is attached to the exterior of the scanner.



2. Open the paper feed tray and remove the protective tape that is inside the scanner.



3. Gently raise the upper unit and remove the protective sheet.



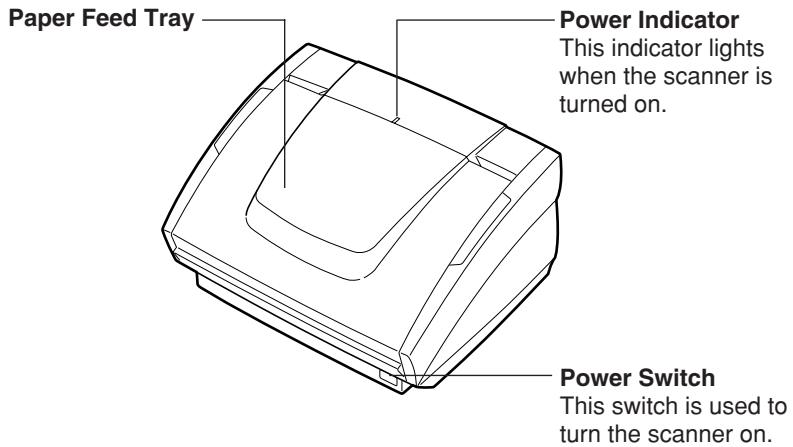
After removing the protective sheet, return the upper unit to its original position.

---

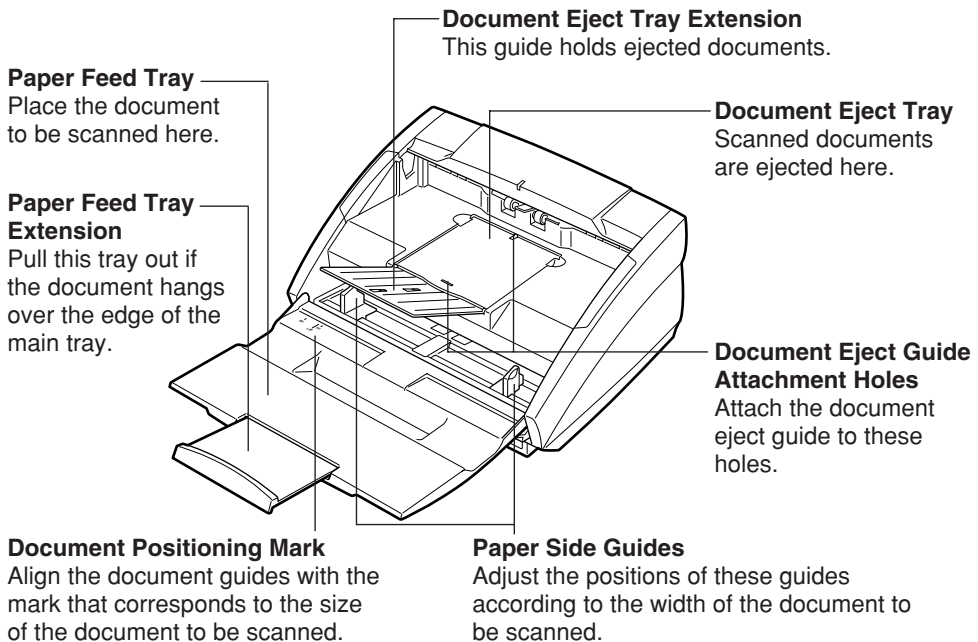
## Names and Functions of Parts

This section explains the name and function of each part. Familiarize yourself with the parts before connecting the scanner.

### ■ Front

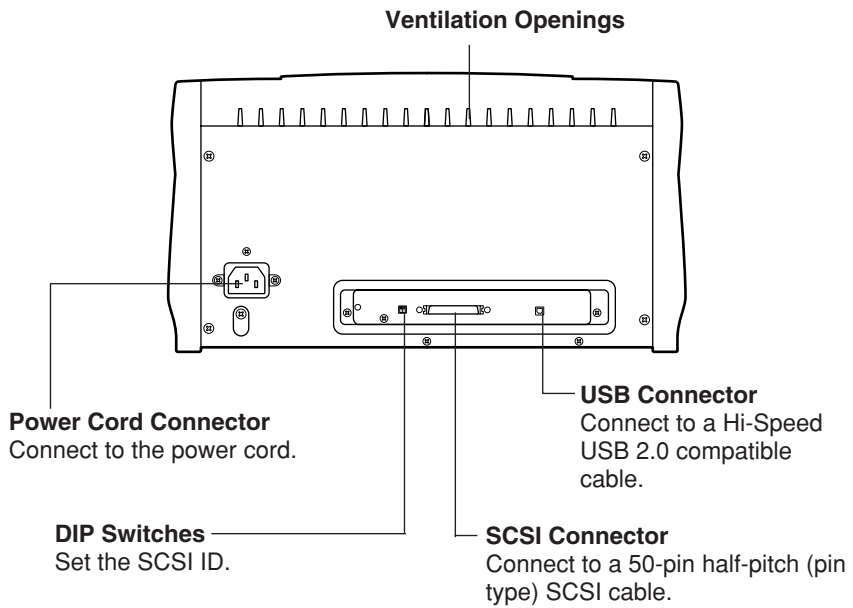


### ■ Front (with Cover Open)



---

## ■ Rear



### **CAUTION**

**Do not block the ventilation openings. Doing so could cause the scanner to overheat, creating a risk of fire.**



---

# Installing the Scanner

---

## Installation Requirements

In order to use the DR-3080CII, your computer must satisfy the following system requirements:

- IBM PC/AT-compatible that satisfies the following specifications:
  - Intel Celeron 733 MHz or faster
  - Main memory: 256 MB or more (recommended)
  - Hard disc space: 400 MB or more
- SCSI board or USB 2.0 interface board that supports the scanner (See “Interface Board” on p.18)
- Display that is capable of resolution of 1024 x 768 (XGA) or better (recommended)
- One of the following operating systems, running normally:
  - Connecting via SCSI
    - Microsoft Windows 98 SE
    - Microsoft Windows Me
    - Microsoft Windows NT 4.0 Workstation
    - Microsoft Windows 2000 Professional SP4
    - Microsoft Windows XP Professional SP1
  - Connecting via USB 2.0
    - Microsoft Windows 98 SE
    - Microsoft Windows Me
    - Microsoft Windows 2000 Professional SP4
    - Microsoft Windows XP Professional SP1
- ISIS-compatible or TWAIN-compatible application software that runs normally on your operating system



### IMPORTANT

- If you are connecting the scanner via USB 2.0 interface, be sure to use an updated version of the USB 2.0 driver. For details on the updated driver, contact your local authorized Canon dealer.
- If your CPU, memory or SCSI board does not meet the recommended specifications, you may experience problems such as a slower scanning speed.



### Note

- Be sure to allocate sufficient virtual memory.
- Use a SCSI board recommended for use with the scanner.

- 
- After checking the shape of the connectors on the computer connected to the scanner and SCSI device, purchase a SCSI cable with the right combination of connectors. (See “Connecting the Scanner to Your PC” on p.19)
  - The USB cable you are using should be the one originally bundled with the scanner or a Hi-Speed USB 2.0-compatible cable.
  - Depending on the application software that you are using, the device driver provided may not operate, or you may not be able to use the functions described in this guide.
  - Make sure that the device driver and application software that you will be using are compatible with your PC, the system configuration, and the type of SCSI board that you are using.
  - The ISIS/TWAIN driver provided with the scanner is not necessarily compatible with all ISIS-compatible or TWAIN-compatible application software. For details, contact your application software dealer.

---

## Installation Procedure

The procedure for installing the scanner is outlined below. (For a detailed outline of this procedure, see “Connecting the Scanner to Your PC” at the end of this section.)

1. Check the interface board in your computer.  
(See “Interface Boards” on p.18)  
↓
2. Connect the scanner to the PC.  
(See “Connecting the Scanner to Your PC” on p.19)  
↓
3. Connect the power cord to the scanner.  
(See “Connecting the Power Cord” on p.22)  
↓
4. Turn the scanner on first, and then start up the PC.  
(See “Turning the Power On” on p.23)  
↓
5. Let the PC recognize the Scanner.  
(See “Recognizing the Scanner” on p.23)  
↓
6. Turn the scanner off. (See “Turning the Power Off” on p.25)

---

## Interface Boards

An interface board is needed to connect the scanner to your computer. There are two types of interface boards. These interface boards are described below with recommendations for manufacturers and models.

---

### SCSI Boards

When connecting the scanner via SCSI, verify that the SCSI board you are using is one recommended for use with the scanner. The recommended SCSI boards are as follows:

#### Recommended SCSI boards

Manufacturer: Adaptec  
Models: AHA-2930U, AHA-2940AU, ASC-19160,  
ASC-29160, APA-1480



#### IMPORTANT

When installing the SCSI board in your computer, please refer to the computer user's guide and follow the instructions provided

---

### USB 2.0 Interface Board

When connecting the scanner via USB, verify that the USB 2.0 interface board you are using is one recommended for use with the scanner. The recommended USB 2.0 interface boards are as follows:

#### Recommended USB 2.0 Interface boards

Manufacturer: Adaptec  
Models: USB 2 connect 2000LP (AUA-2000)  
USB 2 connect 3100 (AUA-3100LP)  
USB 2 connect 5100 (AUA-5100)  
USB 2 connect for Notebooks (AUA-1420)



#### IMPORTANT

- When installing the USB 2.0 interface board in your computer, please refer to the computer user's guide and follow the instructions provided.
- Make sure that the USB driver is an updated version provided by Adaptec or Microsoft.



#### Note

- The DR-3080CII passed the Hi-Speed USB 2.0 certification test. However, when you use the scanner with a personal computer equipped with USB 2.0 as standard, the scanner may not always operate normally.
- If the interface is not Hi-Speed USB 2.0 compatible, the scanning speed will slow down.

---

## Connecting the Scanner to Your PC

There are two ways of connecting the scanner to your computer, via SCSI or via USB. Choose whichever format is suitable for the environment in which you are using your PC.



### IMPORTANT

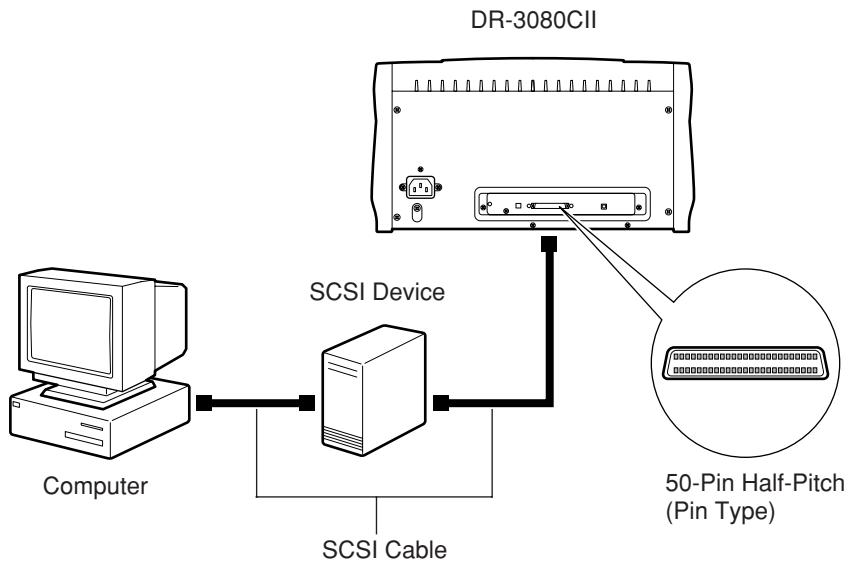
- When the application is running, do not turn the scanner off nor unplug the interface cable.
- Do not connect both a SCSI cable and a USB cable concurrently.
- Do not connect multiple DR-3080CII to one (1) computer.
- When having changed the connection, be sure to turn the scanner and the PC on once again.

---

## Connecting via SCSI

Notes on the Shape of Connectors and the SCSI Cable

- The DR-3080CII is equipped with a 50-pin half-pitch (pin type) SCSI connector.
- After checking the shape of the SCSI connector on your computer and connected SCSI device, purchase a SCSI cable with the right combination of connectors.





## IMPORTANT

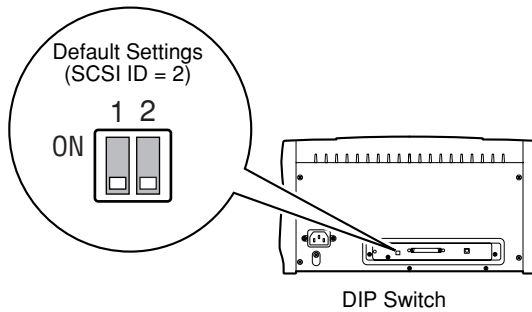
- Make sure that the scanner and your PC are both turned off when connecting the scanner to the PC.
- The factory default setting for the terminator of the scanner is set to ON as default. Be sure to turn off all terminators of the SCSI devices connected between the scanner and the PC.



## Note

The factory default setting for the SCSI ID is “2”.

You can set the SCSI ID by using the DIP-switch provided on the rear side of the scanner. In the DIP-switch settings, the SCSI ID can be set to ON by turning the switch to the upper position, or OFF by turning it to the lower position.



Refer to the following table when setting the SCSI ID. If there are other SCSI devices connected to or inside the PC, make sure to set a unique ID for the scanner.

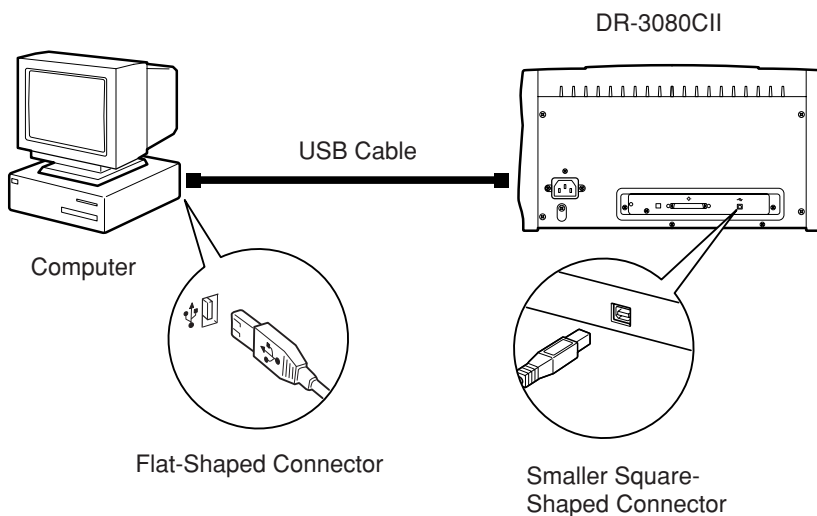
SCSI ID	SW1	SW2
2	OFF	OFF
3	OFF	ON
4	ON	OFF
5	ON	ON

---

## Connecting via USB

### USB interface connection

- Be sure to use the USB cable bundled with the scanner or a Hi-Speed USB 2.0-compatible cable.
- When using a USB extension board that supports Hi-Speed USB 2.0, be sure to choose one verified for use with the scanner. (See “USB 2.0 Interface Board” on p.18)



### IMPORTANT

- If the OS you are using is Windows NT, the connection via USB is not supported. When using the DR-3080CII with Windows NT, be sure to connect the scanner via SCSI.
- When using a USB hub, be sure to use one compatible with USB 2.0.



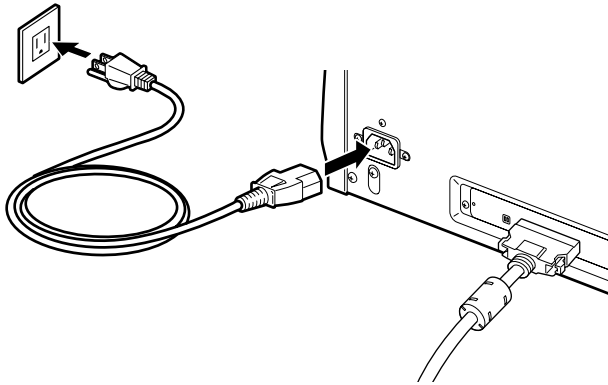
### Note

- The DR-3080CII passed the Hi-Speed USB 2.0 certification test. However, when you use the scanner with a personal computer equipped with USB 2.0 as standard, the scanner may not always operate normally.
- If the interface is not Hi-Speed USB 2.0-compatible, the scanning speed will slow down.

---

## Connecting the Power Cord

Connect the power cord that is provided with this scanner to the power cord connector located on the rear of the scanner, and then plug the cord into a power outlet.



### IMPORTANT

- Only use the power cord that was provided with this scanner.
- Always be sure to turn the power switch off before plugging in the power cord.



---

## Turning the Power On/Off

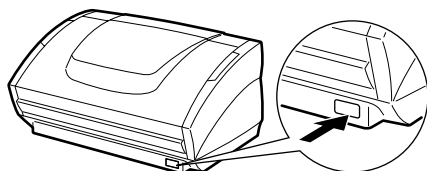
Follow the procedures described below when turning the power on or off.

---

### Turning the Power On

1. Turn on the scanner.

The power switch is located on the lower right front corner of the scanner. To turn the scanner on, press the power switch. When the power indicator lights green, the scanner is on.



2. Turn on the PC.

#### **WARNING**

**If the scanner ever makes a strange noise, emits smoke or a strange odor, or becomes hot, or if the scanner does not operate at all even though the power is on, immediately turn the scanner off and unplug the power cord. Contact your local authorized Canon dealer or service representative to have the scanner serviced.**

---

### Recognizing the Scanner

If you are using Windows 98/Me/2000 or Windows XP, then the first time that you turn on your PC after connecting this scanner to your PC, Windows Plug and Play automatically displays a screen prompting you to install the scanner driver. Follow the instructions on the screen to proceed with the installation.

- If you are using Windows 98, the “Add New Hardware Wizard” dialog box appears.
  1. Click the Next button.
  2. Select “Search for the best driver for your device. (Recommended).” and then click the Next button.
  3. Load the setup disc into the computer’s CD-ROM drive.
  4. Select “Specify a location”, type “D:\INF” (where “D” is the letter assigned to your CD-ROM drive) and then click the Next button.
  5. Click the Next button.
  6. Click the Finish button.

- 
- If you are using Windows Me, the “Add New Hardware Wizard” dialog box appears.
    1. Select “Specify the location of the driver (Advanced)” and then click the Next button.
    2. Load the setup disc into the computer’s CD-ROM drive.
    3. Select “Search for the best driver for your device. (Recommended).” and then select “Specify a location”. Next, type “D:\INF” (where “D” is the letter assigned to your CD-ROM drive) and then click the Next button.
    4. Click the Next button.
    5. Click the Finish button.
  
  - If you are using Windows 2000 Professional, the “Found New Hardware Wizard” dialog box appears.
    1. Click the Next button to proceed to the “Install Hardware Device Drivers” screen.
    2. Select “Search for a suitable driver for my device (recommended)” and then click the Next button to proceed to the “Locate Driver Files” screen.
    3. Select “Specify a location” and then click the Next button.
    4. Load the setup disc into the computer’s CD-ROM drive.
    5. Type “D:\INF” (where “D” is the letter assigned to your CD-ROM drive) and then click the OK button.
    6. In the “Driver Files Search Results” screen, click the Next button.
    7. If the message “Digital Signature Not Found” appears, simply click Yes to continue installation.
    8. On the “Completing the Found New Hardware Wizard” screen, click the Finish button.
  
  - If you are using Windows XP, the “Found New Hardware Wizard” dialog box appears.
    1. Load the setup disc into the computer’s CD-ROM drive.
    2. In the “Welcome to the Found New Hardware Wizard” screen, select “Install from a list or specific location (Advanced)”, and then click the Next button.
    3. Select “Search for the best driver in these locations”, and then clear the “Search removable media (floppy, CD-ROM...)” check box. Select “Include this location in the search”, type “D:\INF” (where “D” is the letter assigned to your CD-ROM drive), and then click the Next button.
    4. Click the Continue Anyway button in the “Hardware Installation” dialog box.

Although a message appears indicating that the driver “has not passed Windows logo testing”, simply continue operation.
    5. Click the Finish button in the “Completing the Found New Hardware Wizard” screen.



### IMPORTANT

- The DR-3080CII is registered as “CANON DR-3080CII SCSI” or “CANON DR-3080CII USB” in the “Imaging Device” directory.
- The displayed device name of the DR-3080CII differs depending on the connection, via SCSI or via USB. When having changed the connection, be sure to let the PC recognize the scanner once again.

---

## Turning the Power Off

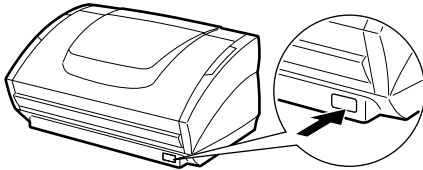


### CAUTION

**If the scanner will not be used for an extended period of time, unplug the power cord for safety's sake.**

1. Turn off the PC.
2. Turn off the scanner.

The power switch is located on the lower right front corner of the scanner. To turn the scanner off, press the power switch. When the power indicator turns off, the scanner is off.



### Note

- When connecting the DR-3080CII via SCSI, turn the scanner on first, and then turn the PC on.
- Wait at least 10 seconds before turning the scanner back on.

---

# Installing the Software

---



## IMPORTANT

Before installing the software, be sure to open and read the Readme.txt file on the setup disc.

The setup disc included with the scanner contains the following software:

- **ISIS/TWAIN driver**

This driver allows this scanner to be used with ISIS-compatible application software or TWAIN-compatible application software. The driver must be installed in order to be able to use the scanner.

- **CapturePerfect**

This is a TWAIN-compatible software application. Install this application if necessary.

## Installing the ISIS/TWAIN Driver

Follow the procedure described below to install the ISIS/TWAIN driver.



## IMPORTANT

If another ISIS-compatible driver is already installed in your PC, you must back up the files listed below. These files may be overwritten when you install this ISIS/TWAIN driver.

C:\Windows\System\pix\*.dll

C:\Windows\PixTran\\*.\*



## Note

The name of the “\Windows” and “\Windows\System” folder varies, depending on which version of Windows you are using. Substitute the above folder names with the relevant folder names for Windows used in your system.

1. Turn on your PC. Windows starts.



## IMPORTANT

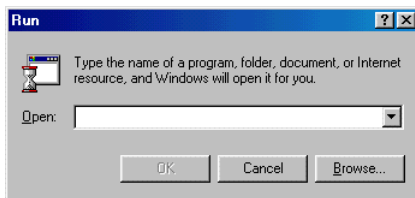
If you are using Windows NT 4.0 Workstation, Windows 2000 Professional, or Windows XP, be sure to log on as a user with administrator privileges.

2. Load the setup disc in the PC's CD-ROM drive.

3. On the Start menu, click Run.



The Run dialog box appears.



4. In the Open box, type "D:\Driver\Setup.exe" (where "D" is the letter assigned to your CD-ROM drive) and then click the OK button.

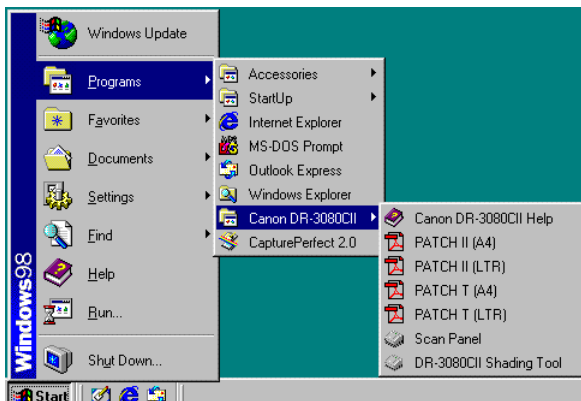
The Installer starts.

5. Follow the instructions on the screen and complete the installation.
6. Restart Windows when you have completed the installation.



#### Note

Installing the ISIS/TWAIN driver creates the following shortcuts in the Start menu:



---

### **Canon DR-3080CII Help**

Online Help for the ISIS/TWAIN driver. (See "Using the ISIS/TWAIN Driver" on p.35)

### **DR-3080CII Shading Tool**

Use this tool to calibrate the scanner if scanned images contain lines or abnormal colors. (See p.62)

### **PATCH x(xx) (Patch Code Sample Sheet)**

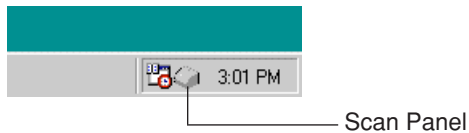
Patch Code Sheets are sheets printed with a special pattern that is used for separating files without interrupting scanning.

(See "Patch Code Sheets" on p.48)

### **Scan Panel**

The scan panel resides in the task tray after restarting Windows. Use it to launch the scanning application.

See "Help" for the ISIS/TWAIN Driver for more information about the scan panel.



---

## Uninstalling the ISIS/TWAIN Driver

Follow the procedure described below to uninstall the ISIS/TWAIN driver.

### IMPORTANT

If you are using Windows NT 4.0 Workstation, Windows 2000 Professional, or Windows XP, be sure to log on as a user with administrator privileges.

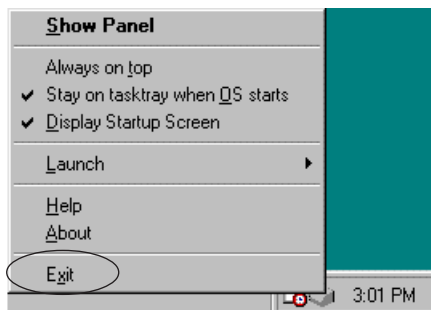
1. Close the scan panel that is in the task tray.



Scan Panel

### Note

- You can close the scan panel by double clicking or right clicking the scan panel icon to open a menu and then clicking on [Exit].



- If the scan panel exists, the ISIS/TWAIN Driver cannot be uninstalled. Close the scan panel that is on the task tray before uninstalling the ISIS/TWAIN Driver.

2. On the Start menu, point to Settings and click Control Panel.



## Note

If you are using Windows XP, on the Start menu, click Control Panel.



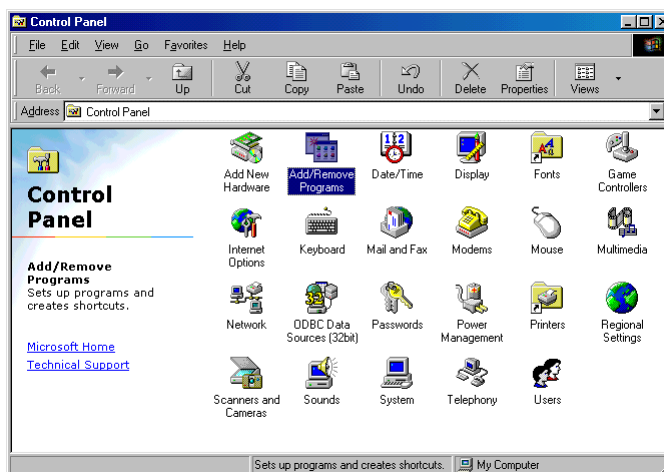
The “Control Panel” window is displayed.

### 3. Double-click the “Add/Remove Programs” icon.



## Note

If you are using Windows XP, click the “Add or Remove Programs” icon.



The “Add/Remove Programs Properties” dialog box is displayed.



## Note

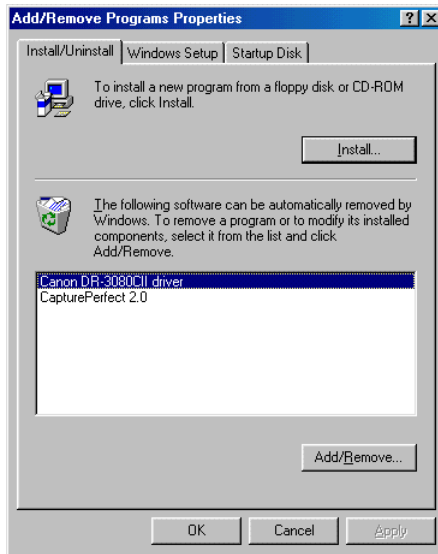
If you are using Windows XP, the “Add or Remove Programs” dialog box is displayed.



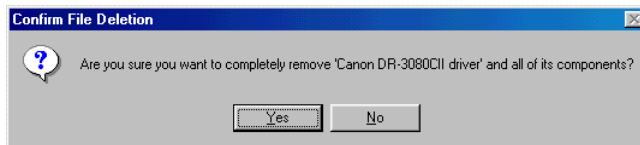
- 
4. Select “Canon DR-3080CII Scanner Driver” from the list, and then click the Add/Remove button.

**Note**

If you are using Windows XP, click the Change/Remove button.



The “Confirm File Deletion” dialog box is displayed.



5. Click the Yes button to start the uninstaller.

Follow the instructions on the screen to uninstall the software.

---

## Installing CapturePerfect

Follow the procedure described below to install CapturePerfect.

1. Turn on your PC. Windows starts.

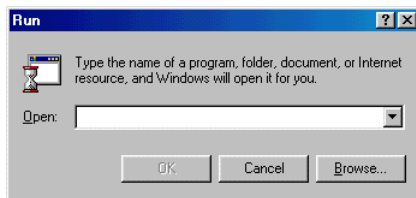
### IMPORTANT

If you are using Windows NT 4.0 Workstation, Windows 2000 Professional, or Windows XP, be sure to log on as a user with administrator privileges.

2. Load the setup disc in the PC's CD-ROM drive.
3. On the Start menu, click Run.



The Run dialog box appears.



4. In the Open box, type "D:\CapturePerfect\Setup.exe" (where "D" is the letter assigned to your CD-ROM drive) and then click the OK button.

The Installer starts.

5. Follow the instructions on the screen and complete the installation process.

---

## Uninstalling CapturePerfect

Follow the procedure described below to uninstall CapturePerfect.



### IMPORTANT

If you are using Windows NT 4.0 Workstation, Windows 2000 Professional, or Windows XP, be sure to log on as a user with administrator privileges.

1. On the Start menu, point to Settings and click Control Panel.



### Note

If you are using Windows XP, on the Start menu, click Control Panel.



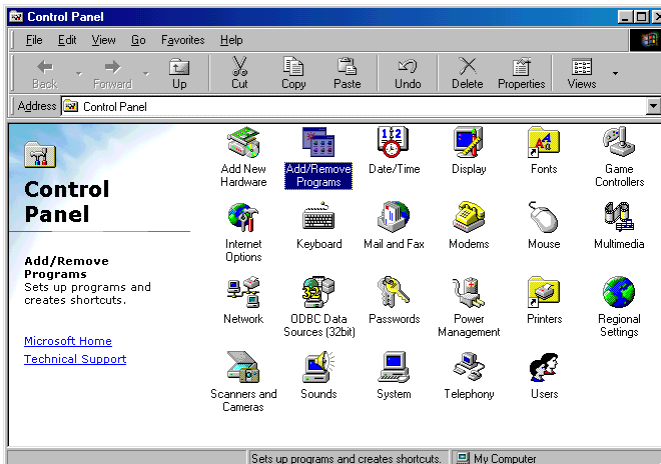
The “Control Panel” window is displayed.

2. Double-click the “Add/Remove Programs” icon.



### Note

If you are using Windows XP, click the “Add or Remove Programs” icon.



---

The “Add/Remove Programs Properties” dialog box is displayed.

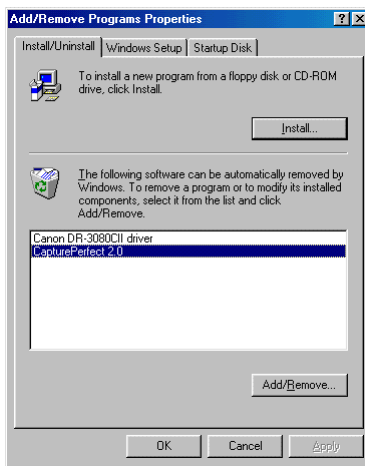
 **Note**

If you are using Windows XP, the “Add or Remove Programs” dialog box is displayed.

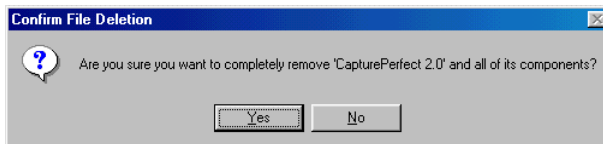
3. Select “CapturePerfect 2.0” from the list, and then click the Add/Remove button.

 **Note**

If you are using Windows XP, click the Change/Remove button.



The “Confirm File Deletion” dialog box is displayed.



4. Click the Yes button to start the uninstaller.

Follow the instructions on the screen to uninstall the software.

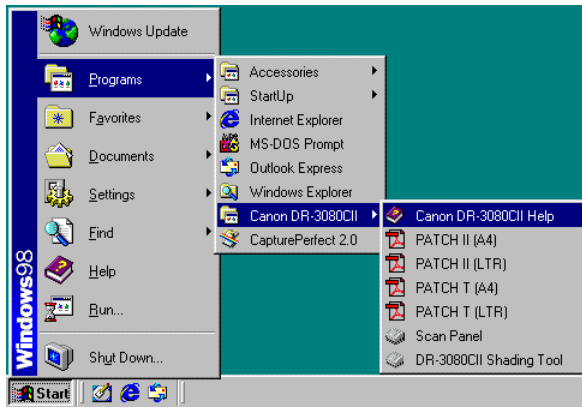
---

# Using the Software

---

## Using the ISIS/TWAIN Driver

The ISIS/TWAIN driver help describes how to use the ISIS/TWAIN driver. To access ISIS/TWAIN driver help, click Start - Programs (when using Windows XP, click All Programs) - Canon DR-3080CII - Canon DR-3080CII Help, or click the Help button displayed in the dialog box.



### Note

The four patch code data files are [PATCH II (A4)], [PATCH II (LTR)], [PATCH T (A4)], [PATCH T (LTR)]. See “Patch Code Sheets” on p. 48 for more information.

---

## Using CapturePerfect

Follow the procedure described below to start and close CapturePerfect.



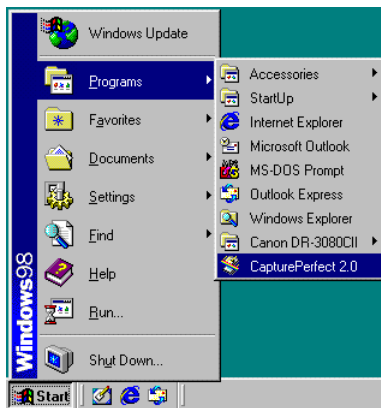
### Note

The basic method for scanning using CapturePerfect is described in CapturePerfect help. From the Help menu on the CapturePerfect menu bar, click Help, then refer to the explanation of how to use CapturePerfect.

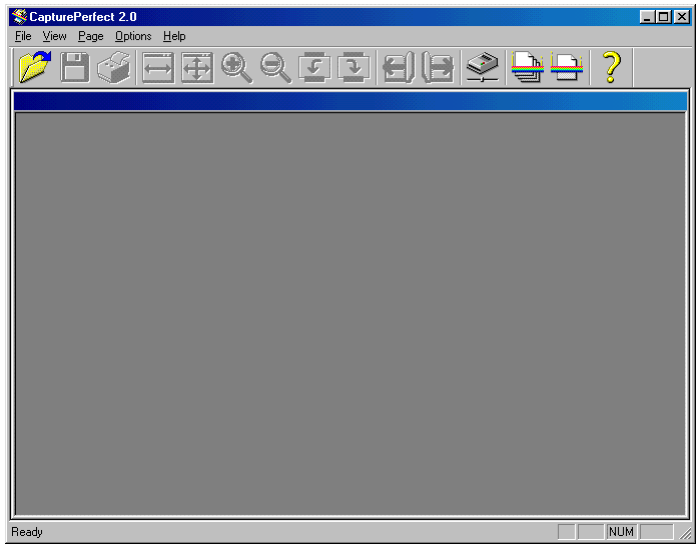
---

## Starting CapturePerfect

1. Turn on the scanner.
2. Turn on your computer. Windows starts.
3. On the Start menu, point to Programs (when using Windows XP, point to All Programs) and then click CapturePerfect 2.0.



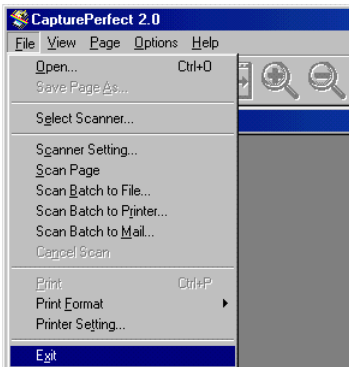
CapturePerfect starts.



---

## Closing CapturePerfect

1. On the File menu, click Exit.



CapturePerfect closes.

---

# Using the Scanner

---

## Documents

This scanner is able to scan documents ranging in size from business cards and checks up to B4 size documents. The scannable size range is:

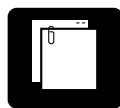
Width:	2.2" to 10.1" (55 mm - 257 mm)
	2.8" to 10.1" (70 mm - 257 mm) with automatic size detection
Length:	2.8" to 14.3" (70 mm - 364 mm)
Thickness:	0.0024" to 0.059" (0.06 mm - 0.15 mm) with automatic feeding
	0.0019" to 0.0079" (0.05 mm - 0.2 mm) with manual feeding
Weight:	14 to 32 lb bond (52 g/m <sup>2</sup> - 128 g/m <sup>2</sup> ) with automatic feeding
	11 to 40 lb bond (42 g/m <sup>2</sup> - 157 g/m <sup>2</sup> ) with manual feeding

There are certain criteria that a document must meet in order to be scannable. Familiarize yourself with the following points:

- When scanning a multi-page document, pages must be grouped together so that they have the same size, thickness and weight. Scanning different types of paper at one time can cause the scanner to jam.
- Scanning documents before the ink is dry can cause problems with the scanner. Always make sure that the ink on a document is dry before scanning it.
- Scanning documents that are written in pencil or similar material can make the rollers dirty, which can then transfer the dirt to subsequent documents. Always clean the rollers after scanning a document written in pencil.
- When scanning a double-sided document that is printed on thin paper, the image on the opposite side of each page may show through. Adjust the scanning intensity in the application software before scanning the document.
- Scanning the following types of documents can cause a paper jam or malfunction. To scan such a document, make a photocopy of the document and then scan the photocopy.



Wrinkled or creased documents



Documents with paper clips or staples



Extremely thin, translucent paper



Curled documents



Carbon paper



Paper with binding holes



Torn documents



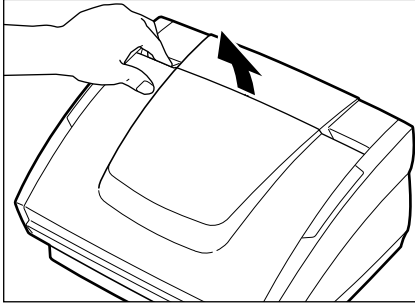
Coated paper



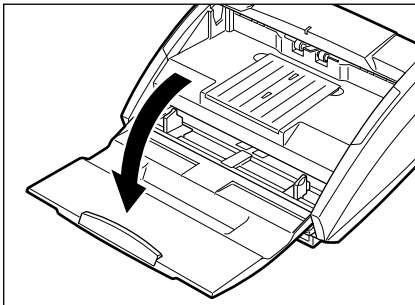
---

## Setting Up the Paper Feed Tray and the Document Eject Tray

1. Grasp the edge of the paper feed tray and lift it up.



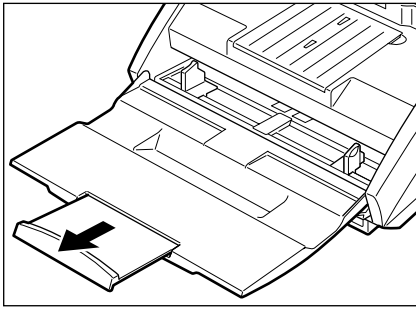
2. Gently open the paper feed tray towards you.



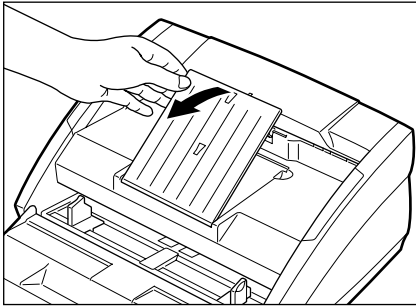
**⚠ CAUTION**

Do not place anything other than documents, and especially not heavy objects, on the paper feed tray. The object could fall suddenly and injure someone, or the scanner itself could be damaged, which could result in lower image quality.

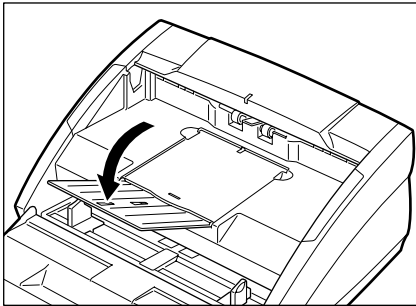
- 
3. When scanning a large document, pull out the paper feed tray extension.



4. Grasp the edge of the document eject tray extension and lift it up.



5. Gently open the document eject tray extension towards you.



**Note**

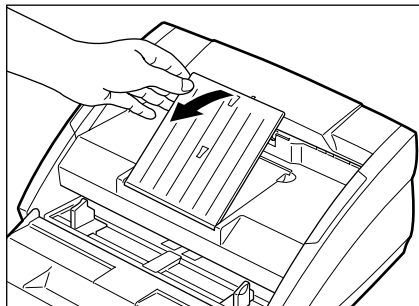
- Always be sure to open the document eject tray extension. If the guide is not open when a document is scanned, the scanned document could droop down and become jammed in the scanner.
- To close the trays and extensions, follow the above procedure in reverse.

---

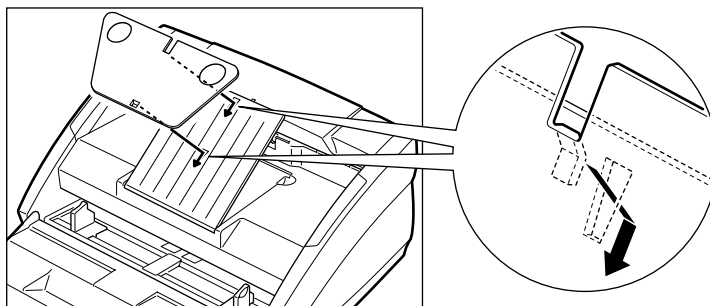
## Installing the Document Eject Guide

When scanning a document that is particularly thin or particularly long, it could droop down over the edge of the document eject tray extension and become jammed in the scanner. Avoid this problem by attaching the document eject guide.

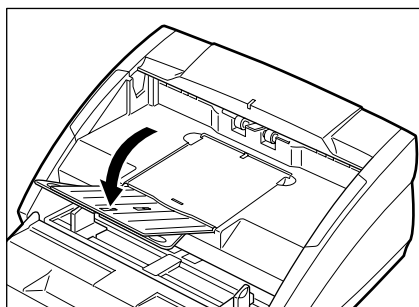
1. Grasp the edge of the document eject tray extension and lift it up.



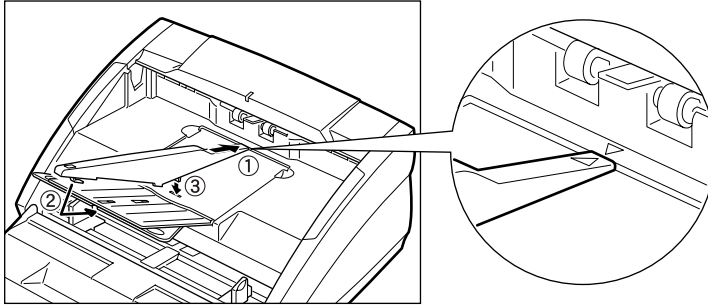
2. Attach the Auxiliary paper support plate to the document eject tray extension.



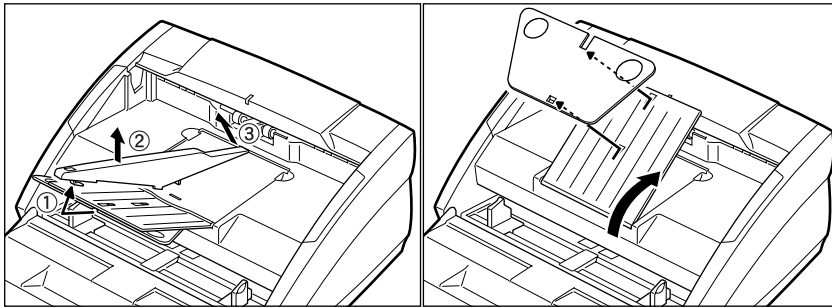
3. Gently open the document eject tray extension towards you.



- 
4. Attach the document eject guide to the document eject tray as shown in the illustrations. When doing so, align the ( △ ) mark on the guide with the ( ▽ ) mark on the scanner.



5. To remove the document eject guide, reverse the procedure described above.



#### Note

- Although it is still possible to scan normal documents while the document eject guide is in place, the guide will cause stacking problems when scanning documents on paper that is thicker than normal. Therefore, the document eject guide should be removed when it is not needed.
- Be certain to remove the document eject guide before closing the document eject tray extension and the paper feed tray.

---

## Loading a Document for Scanning

This scanner supports both automatic and manual feed operation. The methods for loading the document to be scanned when using automatic feed and manual feed are explained separately.



### IMPORTANT

When loading a document for scanning, be careful to remove all paper clips, staples, etc., from the document. During the scanning process, such objects can tear the document, cause a paper jam, and damage the scanner.

---

## Automatic Feeding

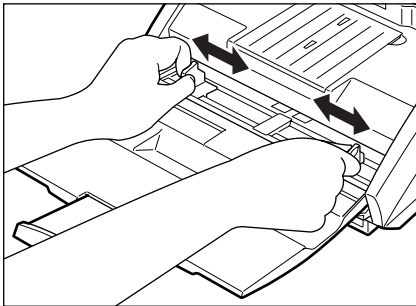
1. Get ready to perform the scanning operation with your application software, and set the automatic feed function.
2. Straighten the edges of the document to be scanned.



### CAUTION


**Be careful when placing a document in the scanner. It is possible to cut your hand on the edge of a sheet of paper.**

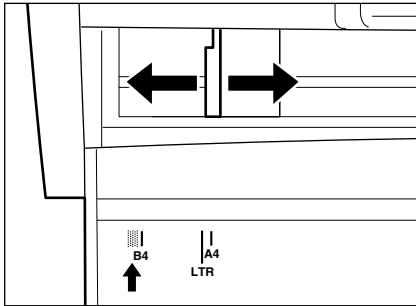
3. Align the paper side guides with the width of the document that is to be scanned. If the document is printed on a standard size of paper, align the guides with the appropriate document positioning mark.



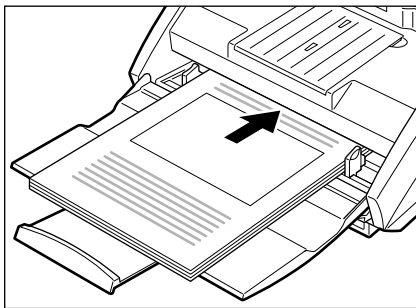


### Note


Make sure that the left edge of the document does not extend to the left of the  mark. A paper jam may occur if you begin to scan a document that is positioned at this mark.

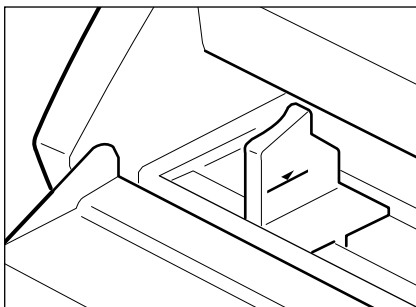


4. Place the document on the paper feed tray so that the document is face up.



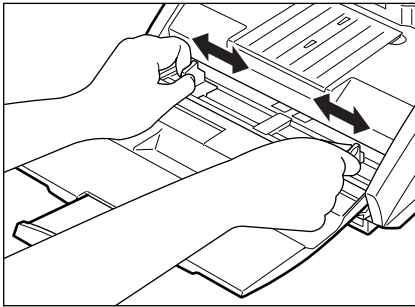
### IMPORTANT

There are stacking limit marks (  ) indicated on the paper feed tray. Do not load pages in excess of this mark. (The mark is equivalent to a capacity of approximately 100 sheets of ordinary copier paper (80 g/m<sup>2</sup>).)



---

5. Adjust the paper side guides.



**Note**

Before starting a scan, make sure that the document is loaded in the scanner correctly. Scanning a curled document or a creased document can damage the document.

6. Perform the scanning operation in accordance with the normal operating procedure for your application software.



**Note**

- If the paper feed operation stops due to a system error or a paper jam while the scanner is scanning, resolve the problem, make sure that the scanned image of the last page that was fed has been stored, and then resume the scanning operation.
- Note that documents that are printed on thin paper may fall out of the document eject tray.

7. If the scanner is not going to be used again soon after the document has been scanned, protect the scanner from damage by removing the document eject guide (if it is attached to the document eject tray) and then close the paper feed tray and the document eject tray extension.



**Note**

When operating this scanner, avoid wearing loose-fitting clothing, dangling jewelry, or other material that could get pulled into the scanner. Injury could result. Be especially careful if you are wearing a necktie or have long hair. In the event that some article or clothing does get caught in the scanner, turn the power off immediately.

---

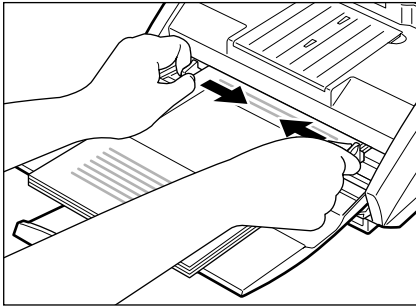
## Manual Feeding

1. Get ready to perform the scanning operation with your application software, and set the manual feed function.

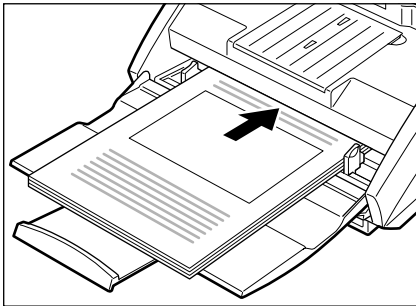
 **Note**

When “manual feed” is set, the document feed opening next to the paper feed tray rises up, allowing you to feed pages in manually. The document feed opening remains in the upper position as long as “manual feed” is set; if “automatic feed” is set, the document feed opening descends.

2. Align the paper side guides with the width of the document that is to be scanned. If the document is printed on a standard size of paper, align the guides with the appropriate document positioning mark.



3. Place a single sheet of the document in the paper feed tray and then gently push it into the document feed opening. The scanner will begin to take the sheet in and scan it.

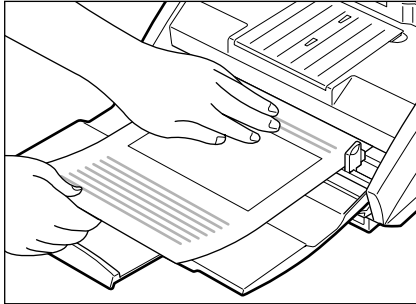






### Note

It may be difficult to manually feed a sheet that is unusually thin or that is curled. It may be necessary to gently hold down the edge of the sheet while feeding it into the scanner.

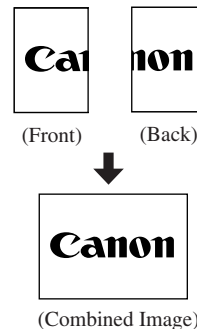
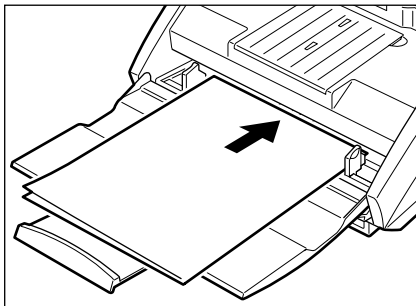


4. Perform the scanning operation in accordance with the normal operating procedure for your application software, and continue to manually feed sheets into the scanner, one at a time.

---

## Scanning Folio (Folded Documents)

The scanner uses a folio scanning method to scan documents that are bigger than B4 size paper (maximum A3 size paper). To do folio scanning, fold the document in half and set it on the scanner, both sides of the folded document are scanned and are combined as a single image.



### Note

- Folio scanning is set in the ISIS/TWAIN Driver.
- Set the ISIS/TWAIN Driver to do manual feed to do folio scanning.
- The image on the front of the folded document appears as the left side of the image.
- Combined images can be a maximum A3 size.
- A seam may appear in where the images are joined if the document or the fold in the document is crooked.

---

## Patch Code Sheets

Patch Code Sheets are sheets printed with a special pattern that is used for separating files without interrupting scanning. When a Patch Code Sheet is read on the scanner, and the pattern on the sheet is recognized, the sheet functions as a Patch Code Sheet, and a file separator is inserted.



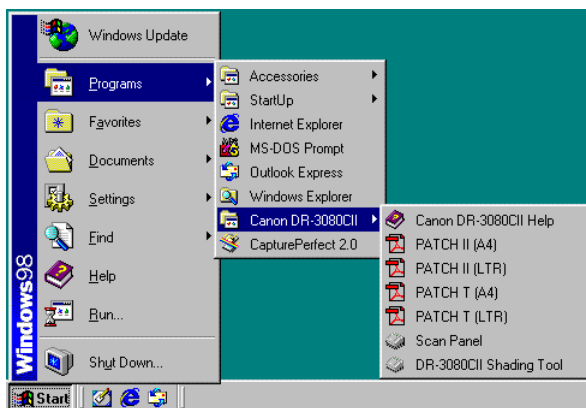
### Note

- This section briefly describes how to use the Patch Code Sheets. For details, also refer to the ISIS/TWAIN Driver Help.
- Note that documents that are printed on thin paper may fall out of the document eject tray.

---

## About Patch Code Sheets

Patch Code Sheets are data in the form of PDF (Portable Document Format). There are 4 types of Patch Code Sheets: [PATCH II (A4)], [PATCH II (LTR)], [PATCH T (A4)], and [PATCH T (LTR)]. Click the [Start] button in Windows, and select [Programs] – [Canon DR-3080CII] – [PATCH X(XX)]. Then print the sheets to use them.



### Note

To open the Patch Code Sheets, an application that can handle PDF formatted files is necessary.

---

## Functions of Patch Code Sheets

- Patch code patterns

### PATCH T



When this sheet is detected, a file separator is inserted after the document following this sheet.

### PATCH II



When this sheet is detected, a file separator is inserted after this sheet. Note, however, that the setting is ignored, and this sheet is recorded as an image even if recording of sheets as an image has been disabled in the patch code detection settings.

---

## Using Patch Code Sheets

1. First, print out the Patch Code Sheets on a printer. Please use paper that is the same size as the Patch Code Sheet data.

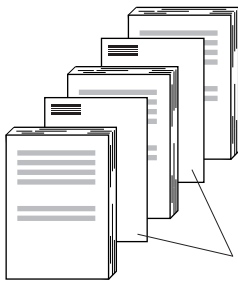


### Note

- Use A4-size paper for [PATCH II (A4)] and [PATCH T (A4)]
- Use letter-size paper for [PATCH II (LTR)] and [PATCH T (LTR)]

2. Load the Patch Code Sheet in front of the document where a file separator is to be inserted before scanning.

### (example: Inserting Patch Code Sheets)

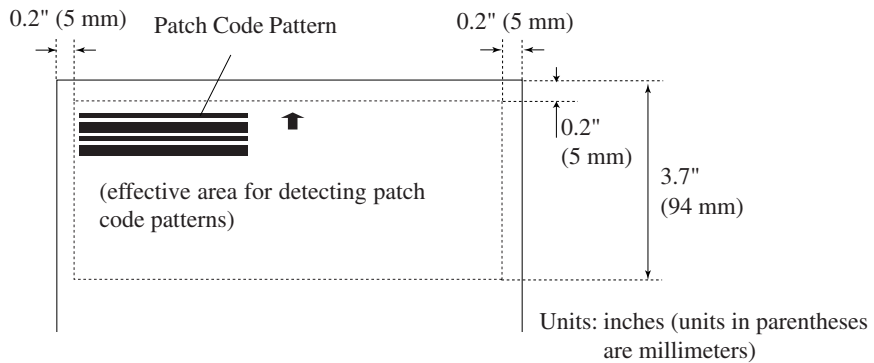


Load Patch Code Sheets in front of the documents where a file separator is to be inserted.

---

---

## Effective Area for Detecting Patch Code Patterns



### IMPORTANT

- When you copy the originals, adjust the size and density settings to match the originals. Extremely dark or light copies may not scan correctly.
- When you copy the originals, adjust them so that the patch code pattern is in the effective area for detecting patch code patterns.
- Make sure that the originals are not stained or marked in any way. Take special care to avoid staining or marking the effective area for detecting patch code patterns. Also, take care to avoid bending or wrinkling Patch Code Sheets. Damaged or marked Patch Code Sheets cannot be read correctly.
- To avoid a reading error, make sure that the scanning density for Patch Code Sheets is neither too light nor too dark.

---

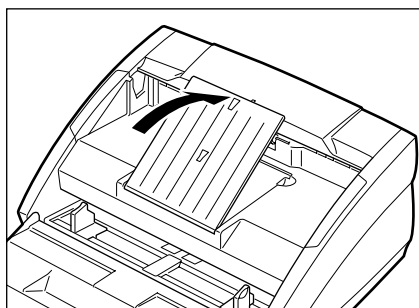
## Clearing a Paper Jam

If a paper jam occurs in the scanner, follow the procedure described below.

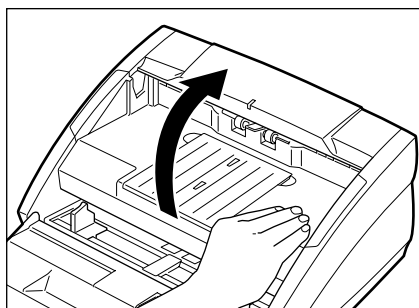
### CAUTION

**Be careful when removing jammed paper. It is possible to cut your hand on the edge of a sheet of paper.**

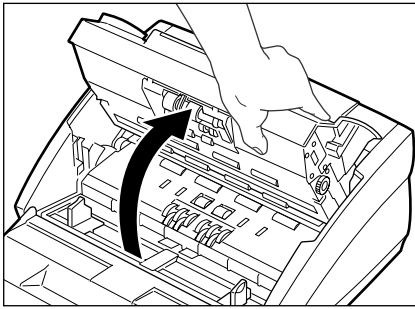
1. If there are any ejected sheets already in the document eject tray, remove them.
2. Close the document eject tray extension. However, if the document eject guide is currently attached to the tray, it is not necessary to remove the document eject guide. Simply continue with the procedure described below.



3. Grasping the upper unit as shown in the illustration, gently raise it.

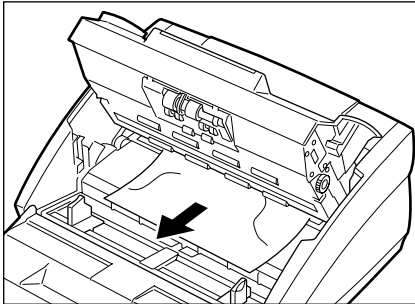


- 
4. Raise the upper unit as far as it will go.

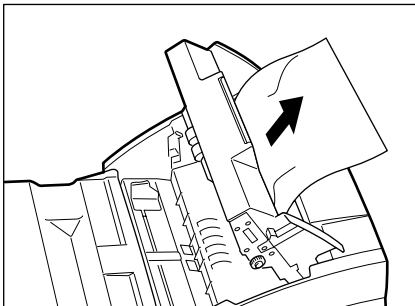


5. Remove the jammed paper inside of the scanner.

When the jam occurred in the feed section



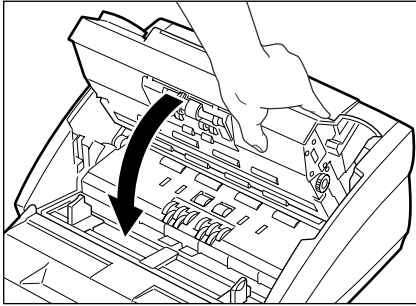
When the jam occurred in the eject section



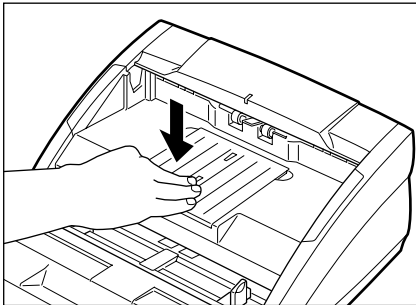
**IMPORTANT**

Do not pull hard on the jammed sheet; remove it gently. If the sheet does rip, be sure to remove all of the remaining pieces of paper.

- 
6. Gently lower the upper unit to its normal position.



7. Gently push down on the top of the upper unit until it clicks into place.



**Note**

Once you have cleared the paper jam, check whether the scanned image on the last page has been stored properly or not, and then resume scanning.

---

## Regular Maintenance

---

Clean the scanner on a regular basis as described below in order to maintain peak scanning quality.

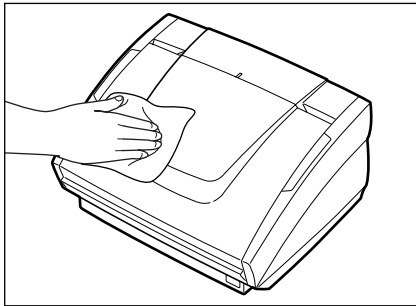


### CAUTION

**For safety's sake, always turn the scanner off and unplug the power cord before cleaning the scanner.**

## Cleaning the Scanner

To clean the exterior of the scanner, dampen a cloth with water or a mild detergent, wring the cloth out thoroughly, and then wipe the dirt away. Then use a dry, soft cloth to wipe away any moisture.



### CAUTION

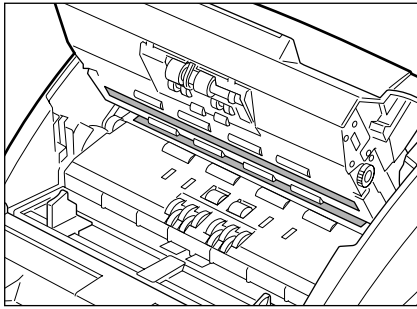
**Never use paint thinner, alcohol, or other organic solvents to clean the scanner. Such solvents can damage or discolor the exterior of the scanner. They also create a risk of fire and electric shock.**



---

## Cleaning the Scanning Glass and the Rollers

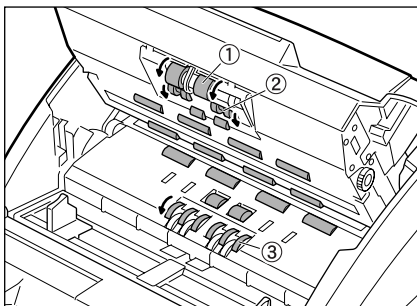
1. Turn the power off and unplug the power cord from the power outlet.
2. If the document eject tray extension is open, close it.
3. Grasp the upper unit and gently lift it up as far as it will go.
4. Wipe the scanning glass (the shaded portion ■ in the illustration) with a clean, dry cloth.



### **!** CAUTION

**There is scanning glass on the top and on the bottom. Wipe both clean. Do not spray the glass directly with water or mild detergent. Doing so could damage the light source or other precision optical components.**

5. Using a cloth that has been dampened with water, clean the rollers (the shaded portion ■ in the illustration), rotating them as you wipe them with the cloth. Note that the rollers labeled ①, ②, and ③ in the diagram should only be rotated in the direction indicated. Then use a clean, dry cloth to wipe away any moisture.



---

# Troubleshooting

---

This section describes common problems that may occur while you are using the scanner, and how to resolve them.

Refer to the troubleshooting section related to the problem that you have encountered.

<b>The Scanner Does Not Turn On</b> .....	<b>P. 56</b>
<b>The PC Does Not Recognize the Scanner</b> .....	<b>P. 57</b>
<b>(Connecting via SCSI)</b>	
<b>The PC Does Not Recognize the Scanner</b> .....	<b>P. 59</b>
<b>(Connecting via USB 2.0)</b>	
<b>Images Are Not Scanned</b> .....	<b>P. 60</b>
<b>Documents Do Not Feed Properly</b> .....	<b>P. 60</b>
<b>Resulting Scanned Images Are Not Correct</b> .....	<b>P. 61</b>

If after consulting the above section you still cannot resolve the problem, contact your local authorized Canon dealer or your service representative.

## **x The Scanner Does Not Turn On**

Check the following:

- Is the power switch in the ON position?
- Is the power cord plugged into an outlet?

---

## **x The PC Does Not Recognize the Scanner (Connecting via SCSI)**

The following are possible causes of the PC failing to recognize the scanner. Check each possible cause.

---

<b>Cause</b>	The scanner is not connected correctly.
<b>Action</b>	Check all the SCSI cable connections between the scanner, the SCSI board in the PC, and any other SCSI devices connected to the system.

---

<b>Cause</b>	The SCSI board is not correctly installed in the PC.
<b>Action</b>	Refer to the instruction manual for the SCSI board and correctly install the SCSI board in the PC correctly. Also check the following, depending on which operating system you are using:  <b>Windows 98/Me</b> Click Start - Settings - Control Panel - System - Device Manager, and make sure that no “x” or “!” symbol appears next to the SCSI Controller entry. If either of these symbols is displayed, refer to the instruction manual for the SCSI board and make the SCSI board settings again.  <b>Windows NT 4.0 Workstation</b> Click Start - Settings - Control Panel - SCSI Adapter, and make sure that the system recognizes the SCSI board properly. If the system dose not recognize the SCSI board properly, refer to the instruction manual for the SCSI board and make the SCSI board settings again.  <b>Windows 2000 Professional</b> Click Start - Settings - Control Panel - System - Hardware - Device Manager, and make sure that no “x” or “!” symbol appears next to the SCSI Controller entry. If either of these symbols is displayed, refer to the instruction manual for the SCSI board and make the SCSI board settings again.  <b>Windows XP</b> Click Start - Control Panel - Performance and Maintenance - System - Hardware - Device Manager, and make sure that no “x” or “!” symbol appears next to the SCSI Controller entry. If either of these symbols appears, refer to the instruction manual for the SCSI board and reconfigure the SCSI board.

---

Cause	The scanner's SCSI ID is identical to the SCSI ID of another device.
Action	Check the SCSI IDs of all SCSI devices connected to the system and set a unique SCSI ID for the scanner.
Cause	The terminator is not set correctly.
Action	Shut down both the PC and the scanner, and then turn the scanner on first, and then the PC.
Cause	The PC was turned on before the scanner.
Action	Shut down both the PC and the scanner, and then turn the scanner on first, and then the PC.
Cause	The scanner is not on.
Action	Refer to the previous section, "The scanner does not turn on," and check to see if the scanner is on. If the scanner is not on, shut down the PC, then turn the scanner on first, and then the PC.
Cause	The SCSI board is not compatible with the scanner.
Action	Use a recommended SCSI board. (See "SCSI Boards" on p.18)

---

## **x The PC Does Not Recognize the Scanner (Connecting via USB 2.0)**

The following are possible causes of the PC failing to recognize the scanner. Check each possible cause.

Cause	The scanner is not connected correctly.
Action	Check the USB cable connections between the scanner and the PC. (See “Connecting via USB” on p.21)
Cause	The USB 2.0 interface board is not mounted on the PC correctly.
Action	Reseat the USB 2.0 interface board on the PC correctly referring to the instruction manual for the USB 2.0 interface board. Also, confirm whether the USB interface board is recognized by the OS (Windows) you are using.
Cause	The scanner is not on.
Action	Refer to the previous section, “The Scanner Does Not Turn On,” and check to see if the scanner is on. If the scanner is not on, shut down the PC, then turn the scanner on first, and then the PC.
Cause	The USB 2.0 interface board does not support the scanner.
Action	Use a recommended USB 2.0 interface board. (See “USB 2.0 Interface Board” on p.18)
Cause	The USB hub is not on.
Action	Turn the USB hub on.

---

## X Images Are Not Scanned

Check the following if the scanner does not scan an image even though the scanning operation is being performed:

- Is the scanner correctly connected to the PC?
- Has the scanner driver been installed?
- Has the application software been installed correctly? Has the application software been set up correctly?
- Is there a problem in the PC system?



### Notice

If the scanner does not respond at all due to a system error, turn the scanner off, wait at least 10 seconds, and then turn the scanner back on again.

When you resume scanning, make sure that the last document was scanned correctly.

## X Documents Do Not Feed Properly

The following are possible causes of a document failing to feed properly. Check each possible cause.

Cause	Attempting to scan a document of a size, thickness or weight that the scanner cannot scan.
Action	Check the size, thickness and weight of the document. For precautions concerning documents, refer to “Documents” on page 37.
Cause	The rollers inside the scanner are dirty or worn.
Action	Clean the rollers as described on page 55. If the rollers are worn, contact your service representative and request to have the rollers replaced.

For details on how to clear jammed paper, see “Clearing a Paper Jam” on page 51.

---

## **x Resulting Scanned Images Are Not Correct**

If the resulting scanned images are not crisp, if there are lines or spots on the images, or if there is some other problem with scanned images, likely causes are listed below. Check each item and take the appropriate action.

---

Cause	The scanning glass or the rollers inside the scanner are dirty.
-------	---

Action	Clean the scanning glass and rollers as described on page 55.
--------	---

---

Cause	The application software is not set up properly for scanning.
-------	---

Action	Check the scanning-related settings, such as brightness in the application software.
--------	--

For example, if the document cannot be scanned at all, it is possible that the brightness setting is too high. If the resulting scanned images are too dark, it is possible that the brightness setting is too low.

---

Cause	The scanner driver or application software is not running normally.
-------	---

Action	If the software is set properly for scanning and normal scanning is still not possible, it is possible that the scanner driver or the application software is not running normally. Reinstall the scanning driver or the application software. For details on how to install the scanner driver, See “Installing the ISIS/TWAIN Driver” on p.26. For details on how to install the application software, refer to the application software instruction manual.
--------	--

---

Cause	Attempting to use a function of the DR-3080CII that is not supported by the application software.
-------	---

Action	Some application software may not support certain functions, such as automatically detecting the paper size or changing the scanning mode/resolution through the scan panel. Using such application software for scanning may yield abnormal scanning results. Try scanning without using functions such as automatic paper size detection or margins settings.
--------	---

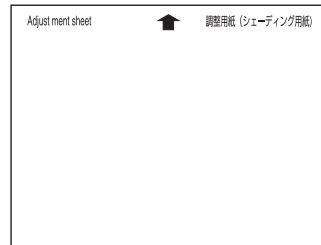
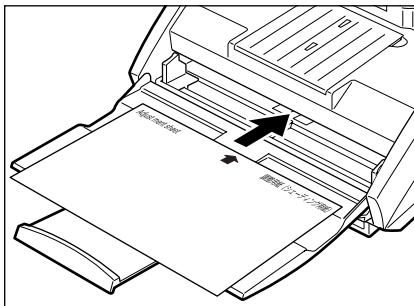
---

If scanned images are still not satisfactory even after checking the items above, calibrate the scanner. (See p. 62)

**! CAUTION**

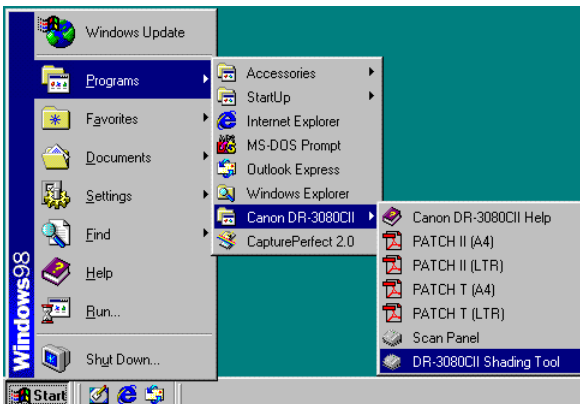
Always clean the scanning glass before calibrating the scanner (see "Cleaning the Scanning Glass and Rollers" on p.55). Attempting to calibrate the scanner while the scanning glass is dirty may result in vertical lines appearing on scanned images. Note that calibrating the scanner will permanently delete any existing calibration configuration.

Locate the adjustment sheet (shading paper) that accompanies the scanner. Load it into the scanner with the arrow pointing in the direction illustrated.



Adjustment sheet

After loading the adjustment sheet, click the [Start] button in Windows, select [Programs] - [Canon DR-3080CII] then click [DR-3080CII Shading Tool].



The [Scanner Adjustment] dialog box is displayed. Follow the instructions on the screen to calibrate the scanner.



# Specifications

Type	Desktop color image scanner		
<b>Scanning Document Specifications</b>			
Width:	2.2" to 10.1" (55 mm to 257 mm)		
	2.8" to 10.1" (70 mm to 257 mm) with automatic size detection		
Length:	2.8" to 14.3" (70 mm to 364 mm)		
Thickness:	0.0024" to 0.059" (0.06 mm to 0.15 mm) with automatic feeding		
	0.0019" to 0.0079" (0.05 mm to 0.2 mm) with manual feeding		
Weight:	14 to 32 lb bond (52 g/m <sup>2</sup> to 128 g/m <sup>2</sup> ) with automatic feeding		
	11 to 40 lb bond (42 g/m <sup>2</sup> to 157 g/m <sup>2</sup> ) with manual feeding		
Document Feeding Method	Automatic/Manual		
Scanning Method	Contact sensor		
Light Source	LED		
Scanning Side	Simplex/Duplex		
Scanning Modes	Black and white, text enhanced, error diffusion, 256-level grayscale, 24-bit color		
Scanning Resolution (Primary Scan Lines x Secondary Scan Lines)	300 x 300 dpi/300 x 150 dpi/ 240 dpi x 240 dpi/200 x 200 dpi		
Scanning Speed		Letter	A4
Black and White	Simplex		
	300 x 150 dpi	43 pages/minute	40 pages/minute
	200 x 200 dpi	32 pages/minute	30 pages/minute
	240 x 240 dpi	27 pages/minute	25 pages/minute
	300 x 300 dpi	21 pages/minute	20 pages/minute
	Duplex		
	300 x 150 dpi	86 images/minute	80 images/minute
	200 x 200 dpi	64 images/minute	60 images/minute
	240 x 240 dpi	54 images/minute	50 images/minute
	300 x 300 dpi	42 images/minute	40 images/minute
256-level Gray	Simplex		
	300 x 150 dpi	43 pages/minute	40 pages/minute
	200 x 200 dpi	32 pages/minute	30 pages/minute
	240 x 240 dpi	27 pages/minute	25 pages/minute
	300 x 300 dpi	21 pages/minute	20 pages/minute
	Duplex		
	300 x 150 dpi	86 images/minute	80 images/minute
	200 x 200 dpi	64 images/minute	60 images/minute
	240 x 240 dpi	54 images/minute	50 images/minute
	300 x 300 dpi	40 images/minute	40 images/minute
24-bit Color	Simplex		
	100 x 100 dpi	21 pages/minute	20 pages/minute
	200 x 200 dpi	10 pages/minute	10 pages/minute
	Duplex		
	100 x 100 dpi	42 images/minute	40 images/minute
	200 x 200 dpi	20 images/minute	20 images/minute

---

Amount of paper that can be stacked in automatic feeder	10 mm stack, maximum
Interface	SCSI-III / Hi-Speed USB2.0
Other Functions	Automatic document thickness adjustment
Dimensions (with trays closed)	7.5" x 13.5" x 10.9" (H x W x D) 191 mm x 344 mm x 278 mm (H x W x D)
Dimensions (with trays open)	9.6" x 13.5" x 21.9" (H x W x D) 244 mm x 344 mm x 555 mm (H x W x D)
Weight	Approximately 17.8 lb (8.1 kg)
Power Supply	100 V to 120 V AC (50/60 Hz) 200 V to 240 V AC (50/60 Hz)
Power Consumption	Scanning: 42 W maximum Standby: Under 20 W Low-power mode: Approx. 10 W
Noise	Not more than 70 dB
Operating Environment	Temperature: 10°C to 32.5°C (50°F to 90.5°F) Humidity: 20% to 80% RH

- The functions described above can be used if they are supported by the application software.
- Some functions may not be available, depending on the performance of your PC and depending on your software.

Due to our ongoing efforts to improve our products, the specifications described above are subject to change without notice.

## Options

---

**Endorser ED500** This device prints a six-digit number and a letter on the back side of a document that has been scanned.

## Consumables

---

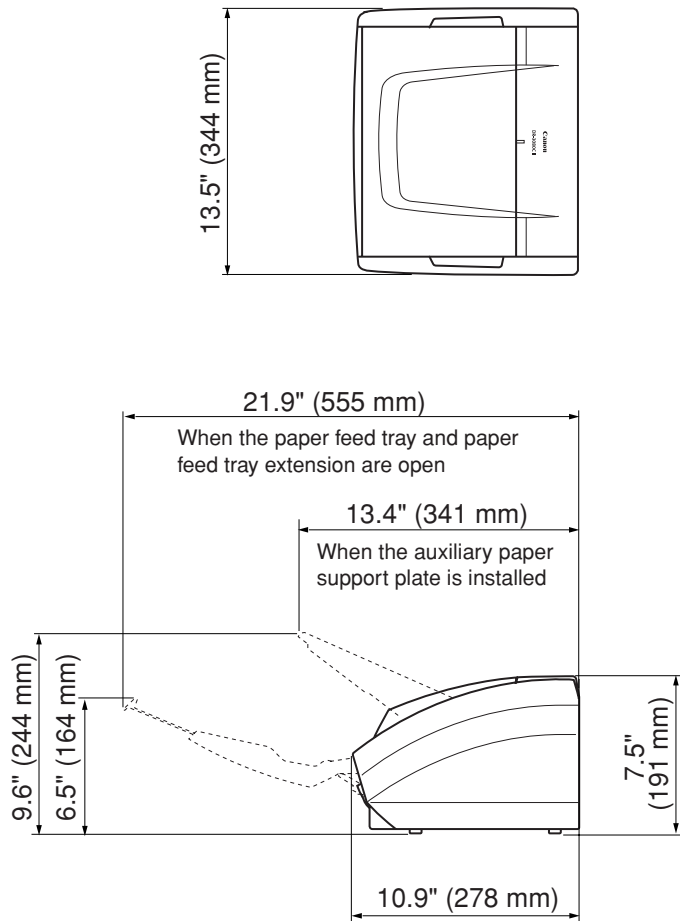
**Exchange Roller Kit** This is a transport roller replacement kit. Please contact your local authorised Canon dealer as they must actually perform the replacement.

---

## External Dimensions

---

Units: inches (units in parentheses are millimeters)



---

# Index

## C

CapturePerfect .....	36
Install .....	32
Uninstall .....	33

## Cleaning

Glass .....	55
Rollers .....	55
Scanner .....	54

## Connections

Power cord .....	22
SCSI .....	15, 19
USB 2.0 .....	15, 21

## D

### DIP switches

position .....	14, 20
----------------	--------

### Document eject guide

attachment .....	41
------------------	----

### Document eject tray extension

opening .....	40
position .....	13

### Document positioning mark

adjustment .....	43
position .....	13

## Documents

feeding .....	43
paper jam .....	51
stacking limit marks .....	44

## DR-3080CII

cleaning .....	54
----------------	----

## I

### Installation

location .....	5
----------------	---

### Interface boards

SCSI boards .....	18
USB 2.0 interface board .....	18

### ISIS/TWAIN Driver ..... 35 |

Install .....	26
Uninstall .....	29

## M

Maintenance .....	54
-------------------	----

## P

### Paper jam

cleaning .....	51
----------------	----

### Paper side guides

adjustment .....	43
position .....	13

Patch Code Sheets .....	48
-------------------------	----

PDF .....	48
-----------	----

### Power cord

connection .....	22
------------------	----

### Power cord connector

position .....	14
----------------	----

### Power indicator

position .....	13
----------------	----

Power off .....	25
-----------------	----

Power on .....	23
----------------	----

### Power switch

position .....	13, 23, 25
----------------	------------

## R

### Rollers

cleaning .....	55
----------------	----

## S

### Scanning glass

cleaning .....	55
----------------	----

### SCSI connector

position .....	14
----------------	----

### Software

CapturePerfect .....	26
ISIS/TWAIN driver .....	26

## T

Troubleshooting .....	56
-----------------------	----

## V

### Ventilation openings

position .....	14
----------------	----

# MEMO

# MEMO

# Canon

**CANON ELECTRONICS INC.**

1248, SHIMOKAGEMORI, CHICHIBU-SHI, SAITAMA 369-1892, JAPAN

**CANON U.S.A. INC.**

ONE CANON PLAZA, LAKE SUCCESS, N.Y. 11042, U.S.A.

**CANON CANADA INC.**

6390 DIXIE ROAD, MISSISSAUGA, ONTARIO L5T 1P7, CANADA

**CANON EUROPA N.V.**

BOVENKERKERWEG 59-61, P.O.BOX 2262, 1180 EG AMSTELVEEN, THE NETHERLANDS

**CANON LATIN AMERICA, INC.**

703 WATERFORD WAY, SUITE 400 MIAMI, FLORIDA 33126, U.S.A.

**CANON AUSTRALIA PTY. LTD.**

1 THOMAS HOLT DRIVE, NORTH RYDE, SYDNEY. N.S.W. 2113. AUSTRALIA

**CANON SINGAPORE PTE. LTD.**

1 HARBOUR FRONT AVENUE #04-01, KEPPEL BAY TOWER, SINGAPORE 098632

**CANON HONGKONG COMPANY LTD.**

19TH FLOOR, THE METROPOLIS TOWER, 10 METROPOLIS DRIVE, HUNGHOM, KOWLOON, HONG KONG.



\*CE-IE-452\*