

Fisher & Paykel

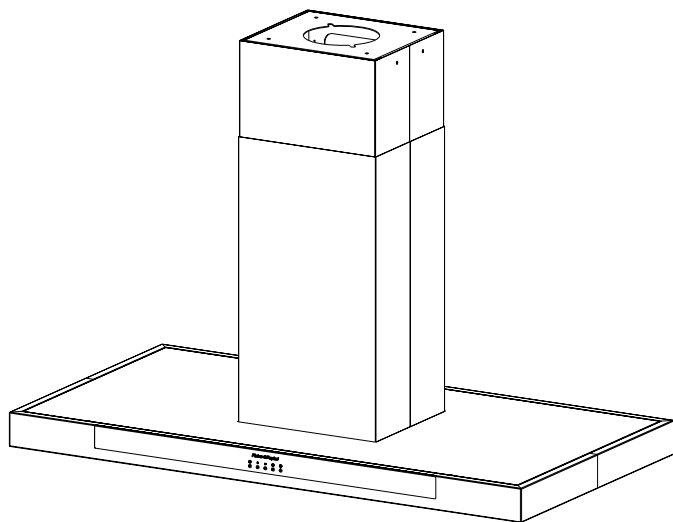
Designer Series Island Canopy

80327 EC120DXV1 (SS NZ/AUS)

80328 EC120DMV1 (IR NZ/AUS)

88388 EC120DXV1 (EU)

88833 EC120DXV2 (UK)



Please note product may vary slightly from the picture.
Please read the entire instructions before installing the canopy.

INSTALLATION INSTRUCTIONS

CONTENTS

Contents of packaging	Equipment required	Optional accessories
1 x canopy hood	Electric drill	Light bulb 104467
2 x chimney pieces	Drill bits	Chimney ext.(10') SS
8 x angle brackets	Spirit level	Chimney ext.(10') IR
1 x installation instructions	Screwdriver	Charcoal filter 103821
4 x filters (part number 104660)	Jig saw	Recirculation kit 1744
Installation kit (part number 104922)	Ladder	
4 x 12 x 40mm screw	Tape measure	
30 x 6 x 1/4" self tapping screw (2 spare)	Duct tape	
	Ducting	

104923 issue A
ECN 06 037

PRE-INSTALLATION

Thank you for purchasing a quality, stainless steel canopy hood.
We have a high standard of quality control and each canopy hood is tested and approved before it leaves the factory.

IMPORTANT

- Always switch the power off prior to installation, servicing or cleaning the canopy hood.
- Never use the canopy hood without the filters.
- Stainless steel is very easily damaged during installation if abraded or knocked by tools. Protect the top of the canopy with cardboard or polystyrene during installation.
- Please read the entire instructions before installing the canopy hood.
- A power outlet should be within 750mm from the motor assembly and can be either on the wall, behind the chimney or in the ceiling. An extension lead may be necessary on some installations.
- To comply to electrical safety regulations this canopy must be plugged into a socket near the appliance. The socket must be accessible and enable the end user to isolate the canopy from the power for the purpose of internal cleaning or maintenance.

Ducting accessories are not supplied. All ducting must comply with local requirements and building codes.

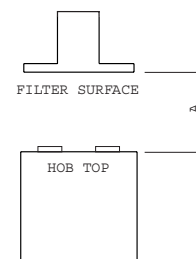


All electrical work must be done in accordance with local and/or national electrical codes as applicable. For safety this product must be earthed. If you are unfamiliar with methods of installing electrical wiring, employ the services of a qualified electrician. Turn off power at service entrance before installing wiring or servicing this product.



The canopy hood is heavy please ensure adequate care when installing the canopy hood to prevent personal injury. The canopy hood must be installed onto a solid wall or solid stud. Weight of product 43.2 kg.

HEIGHT OF CANOPY HOOD



- The canopy is designed for 2440mm high ceilings.
- The chimney is telescopic and is designed for hood installations between 600 to 750mm above the cooking surface.
- Ascertain the desired installation height of the canopy hood.
- Any installation above 750mm will compromise the extraction performance.
- The air outlet from the motor requires 150mm round ducting which requires 170mm diameter hole in the ceiling.

A=600 min (electric cook top)

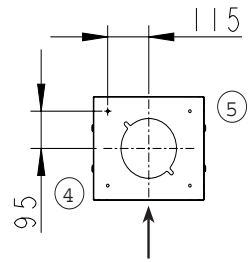
A=650 min (gas cook top)

CONTROL PANEL

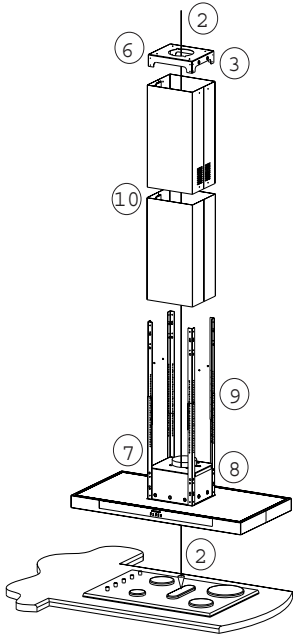
Delay switch: Canopy hood will remain on a low, mid or high speed for five minutes to clear away all residual cooking odours before switching off automatically.



PLAN VIEW OF SUPPORT FRAME



FRONT FACE OF CANOPY



INSTALLATION - DUCTED

Before drilling any holes check that the area behind the surface to be drilled is clear of any electrical cables, pipes etc. Fixing to a solid joist or 50mm deep truss is recommended.

Whenever possible protect the hob top with cardboard or the like.

1. Before commencement unpack the canopy hood and check that it functions correctly.
2. Use a plumb line to mark the centre of the cooking surface on the ceiling.
3. Using the ceiling bracket as a template mark the four holes on the ceiling. Ensure that the ceiling bracket front edge is parallel with the bench top and that the plumb line mark is central to the four mounting screw holes.
4. Drill holes in the ceiling at the points marked.
 - a. When fitting to a 50mm truss drill a pilot hole through the ceiling and into the truss.
 - b. If securing to any other ceiling type please use appropriate fasteners and follow their instructions of use carefully.
5. For the ducting mark out and cut a $\varnothing 170\text{mm}$ hole in the ceiling.
6. Fix the ceiling bracket to the ceiling using the screws supplied.
7. Using duct tape secure the ducting to the top of the motor housing. Solid ducting, galvanized or plastic is recommended. Use flexi ducting only in difficult installations and if used ensure that it is pulled tight. The smoother, straighter and shorter the ducting the quieter and more efficient the canopy hood will perform. Tape the power plug to the top of the ducting, this will enable easy access to the plug after installation.
8. Mount the first set of four angle brackets on the canopy. Use eight self tapping screws, one per side per corner.
9. Determine the installed height of the canopy and attach the second set of four angle brackets to the first to achieve this height. Secure with eight self tapping screws, one per side per corner.
10. Strip the plastic protective film off the two chimney pieces and place these over the corners. The lower chimney will rest on top of the canopy hood and the upper chimney will be extended and secured to the ceiling bracket. To ensure that the upper chimney does not slip inside the lower chimney, secure it so that the upper chimney is showing. Duct tape or placing two screws/nails through the upper chimney securing holes will do this.
11. Offer the canopy hood, angle brackets, chimneys and ducting up to the ceiling bracket and secure in place with eight screws provided, one per side per corner. The dimension between the filters and the cooking surface should be in line with those suggested in the 'height of canopy hood' section. An additional person will be required for this operation or a simple support frame manufactured to the correct dimensions will aid assembly of the Designer Island canopy hood.
12. Finish assembling the ducting ensuring the path is as short, straight and smooth as possible.
13. Connect to the power supply and switch on the power using switch/socket outside the canopy hood.
14. Slide the upper chimney piece up to the ceiling and secure in place with four screws supplied.

INSTALLATION – RECIRCULATED

For recirculation do not cut the 170mm hole into the ceiling and purchase the charcoal filters and recirculation kit 1744. The recirculation kit must be used to channel the air to the top of the flue. For other accessories parts and service please contact your local supplier or approved service agent.

MAINTENANCE

The manufacturer is not liable for any damage caused by not following these instructions.

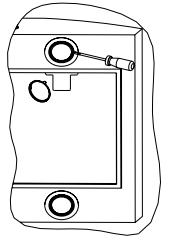
Particular care must be taken with the grease filters which must be periodically cleaned (at least every two months). Remove the grease filters and wash them either by hand in hot soapy water or in the dishwasher using mild detergent. Note: some discolouration of the frame may occur. Caution: Never use abrasive or oil based liquid cleaners. To clean the stainless steel and glass components of the canopy hood use mild detergent and warm water. In areas of high humidity and coastal environments cleaning should be carried out frequently.

For accessories, parts and service, please contact your local supplier (refer to the warranty certificate).

LIGHT REPLACEMENT

(Halogen bulb 12 Volts/20 Watt)

1. Switch off the power to the canopy hood.
2. Use a small bladed screwdriver to prise off the light cover taking care not to damage the surrounding material.
3. Remove the defective bulb from the canopy hood.
4. Replace with a new bulb using a cloth. Do not touch the bulb with fingers.
5. Snap the cover back into place.



WARNINGS

- This canopy hood is not intended for use by young children or infirm persons without supervision.
- Young children should be supervised to ensure that they do not play with the canopy hood.
- There shall be adequate ventilation of the room when the canopy hood is used at the same time as appliances burning gas or other fuels. (A partial vacuum in the room could result in too high a concentration of gas in the air).
- You must read the details concerning the method and frequency of cleaning.
- There is a fire risk if cleaning is not carried out in accordance with the instructions.
- Do not flambé under the canopy hood.
- Exhaust air must not be discharged into an existing flue which is used for exhausting fumes from appliances burning gas or other fuels.
- The minimum distance between the hob surface and the filters of the canopy hood shall be 600mm (650mm if installed over a gas hob).
- Attention should be given to ensure that any applicable regulations concerning the discharge of exhaust air is fulfilled.
- If the supply cord of this equipment is damaged it must only be replaced by the manufacturer, its service agent or similarly qualified person in order to avoid a hazard.

Manufactured for

Fisher & Paykel

By:

Robinhood Ltd

6 Zelanian Drive, East Tamaki

Auckland, New Zealand

ISO9001 Certified

Electrical Rating:

310W (1.28 A)

Max at 240V 50Hz

104923 issue A

ECN 06 037