

*Parts Manual for*  
**SNAPPER®**

**20" STEEL DECK 5 HP PUSH & PROPELLED  
WALK BEHIND MOWERS  
SERIES 0**

<b>PUSH MODELS</b>	<b>PROPELLED MODELS</b>
<b>NR20500 R20500</b>	<b>NRP20500 RP20500</b>

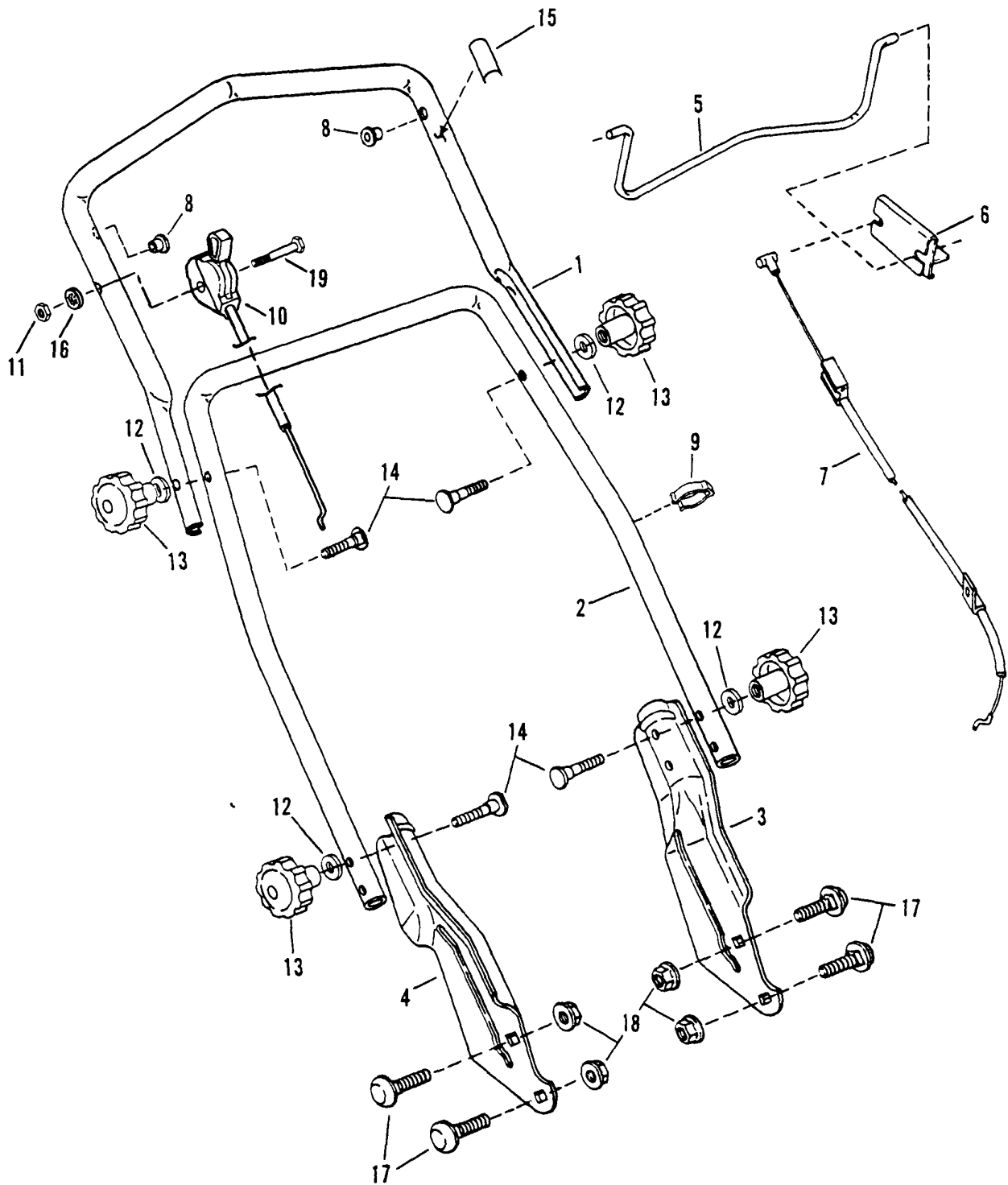


**SNAPPER** McDonough, GA, 30253 U.S.A.



<b>PAGE</b>	<b>GROUP</b>
4	Handles & Controls (Push Models)
6	Handles & Controls (Self-Propelled Models)
8	Engine, Cutting Deck, Blade, Interlock (Push Models)
10	Engine, Cutting Deck, Blade, Interlock (Self-Propelled Models)
12	Wheels, Guards, Axle, Transmission
16	Side Chute, Adapter
18	Decals

**Handles & Controls (Push Models)**



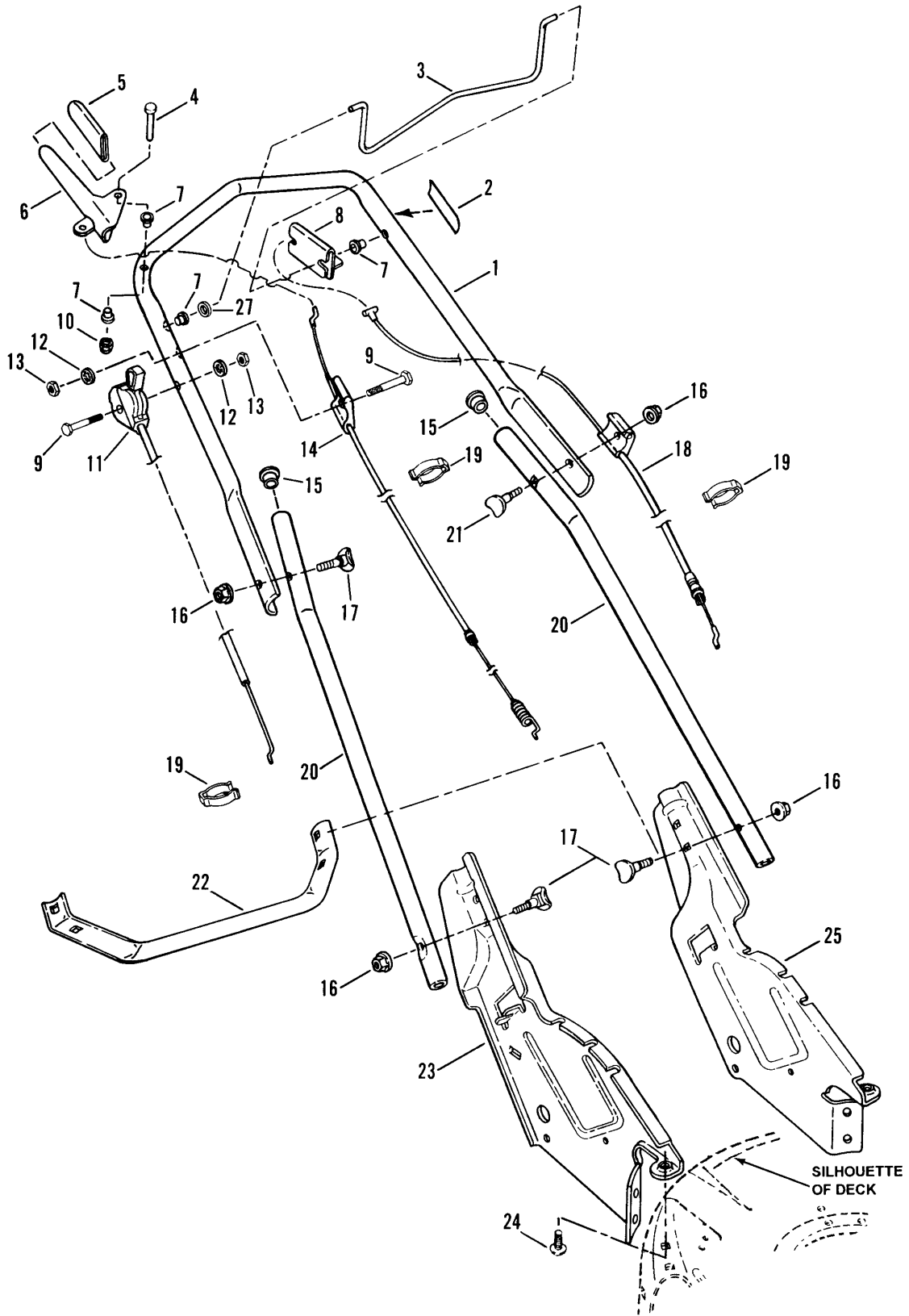
## ***Handles & Controls (Push Models)***

---

<b>Item</b>	<b>Part No</b>	<b>Qty</b>	<b>Description</b>	<b>Note</b>
1	7074384	1	HANDLE, Upper	<i>Was 33473</i>
2	7036350	1	HANDLE, Middle	
3	7046502	1	HANDLE, Lower (Left Hand)	<i>Was 38467</i>
4	7035342	1	HANDLE, Lower (Right Hand)	<i>Was 38466</i>
5	7017072	1	CONTROL, Blade	
6	7033904	1	CLIP, Blade Control	
7	7023765	1	CABLE, Blade Control	
8	7014343	2	BUSHING	
9	7023813	1	CLIP, Wiring Harness	
10	7028481	1	CONTROL, Throttle	
11	7090095	1	NUT, 1/4-28 Hex	<i>Was 91024</i>
12	7090391	1	WASHER, 5/16 Internal Tooth Lock	<i>Was 91068</i>
13	7023735	4	KNOB, 5/16-18 Thread	
14	7091740	4	SCREW, 5/16-18 x 2" Curved Head	<i>Was 91189</i>
15	7024211	1	DECAL, Blade Control	
16	7090053	1	WASHER, 1/4 Internal Tooth Lock	<i>Was 91023</i>
17	7090799	4	BOLT, 5/16-18 x 5/8" Short Neck Carriage	<i>Was 91026</i>
18	7091601	4	NUT, 5/16-18 Hex Flange Lock	<i>Was 91070</i>
19	7090112	1	SCREW, 1/4-28 x 2" Hex Head Cap	

### **Footnotes:**

# Handles & Controls (Self-Propelled Models)



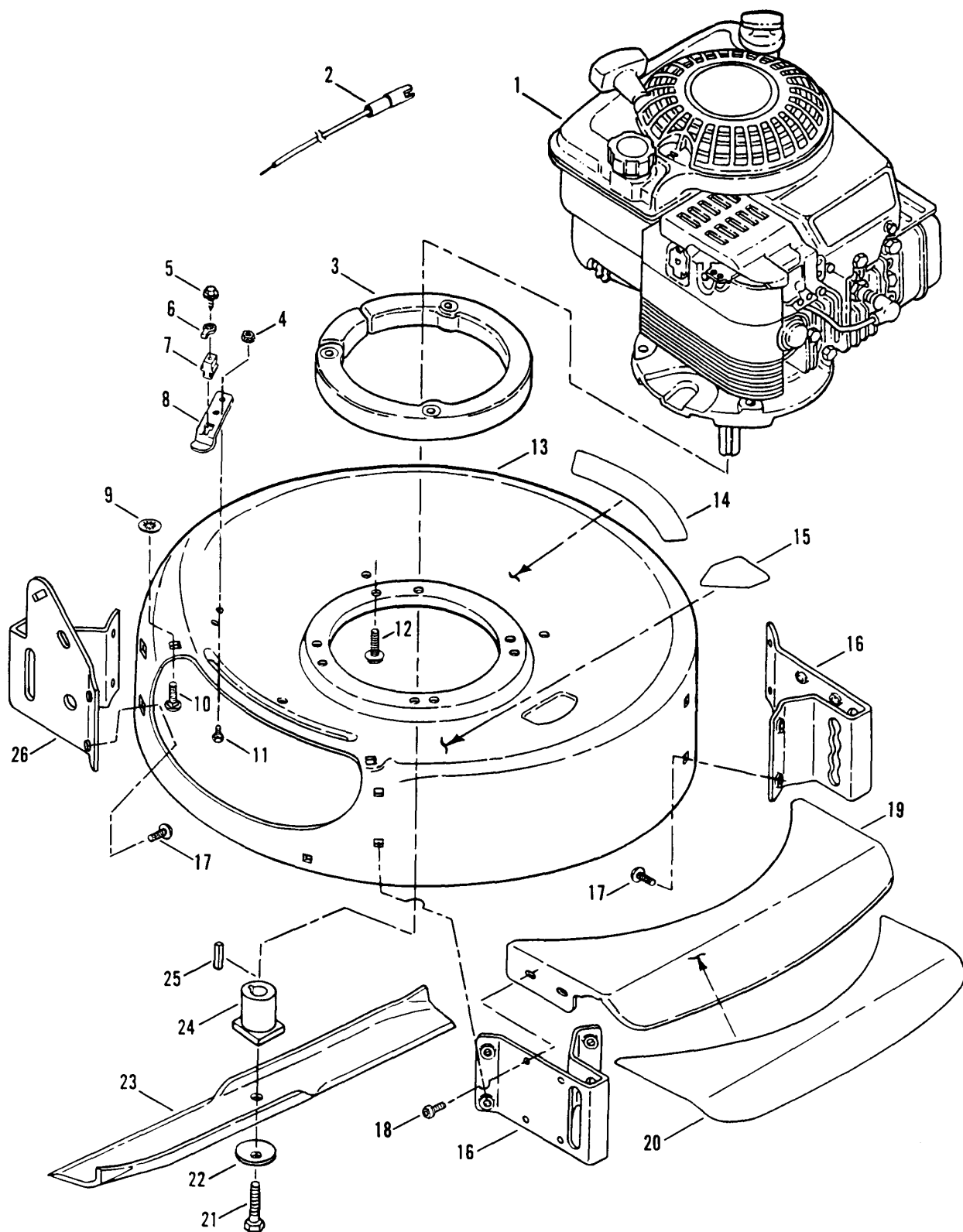
## ***Handles & Controls (Self-Propelled Models)***

---

<b>Item</b>	<b>Part No</b>	<b>Qty</b>	<b>Description</b>	<b>Note</b>
1	7074384	1	HANDLE, Upper	<i>Was 34688</i>
2	7024211	1	DECAL, Blade Control	
3	7017072	1	CONTROL, Blade	
4	7023792	1	PIN, .250 Dia. x 1 1/2"	
5	7014307	1	GRIP, Wheel Drive	
6	7041728	1	HANDLE, Wheel Drive	
7	7014343	4	BUSHING	
8	7033904	1	CLIP, Blade Control	
9	7090112	2	SCREW, 1/4-28 x 2" Hex Head Cap, Grade 5	
10	7091020	1	NUT, 1/4 Push	
11	7029699	1	CONTROL, Throttle	
12	7090053	2	WASHER, 1/4 Internal Tooth Lock	<i>Was 91023</i>
13	7090095	2	NUT, 1/4-28 Hex	<i>Was 91024</i>
14	7029631	1	CABLE, Wheel Drive	
15	7016544	2	PLUG	
16	7091601	1	NUT, 5/16-18 Hex Flange Lock	<i>Was 91070</i>
17	7091190	3	SCREW, 5/16-18 x 1 1/2" Short Neck Curved Head	
18	7029697	1	CABLE, Blade Control	
19	7023813	3	CLIP, Wiring Harness	
20	7029621	2	HANDLE, Middle	
21	7091533	1	SCREW, 5/16-18 x 1 3/4" Short Neck Curved Head	
22	7034620	1	BRACE, Handle/Bracket	
23	7034330	1	BRACKET, Handle/Wheel (Right Hand)	
24	7091542	12	SCREW, 5/16-18 x 1/2" Pan Head, Torx	
25	7034361	1	BRACKET, Handle/Wheel (Left Hand)	
26	7090951	3	NUT, 5/16-18 Large Flange Lock	
27	7091673	1	WASHER, Flat, .125 x .252 I.D. x .625 O.D.	

### **Footnotes:**

**Engine, Cutting Deck, Blade, Interlock (Push Models)**





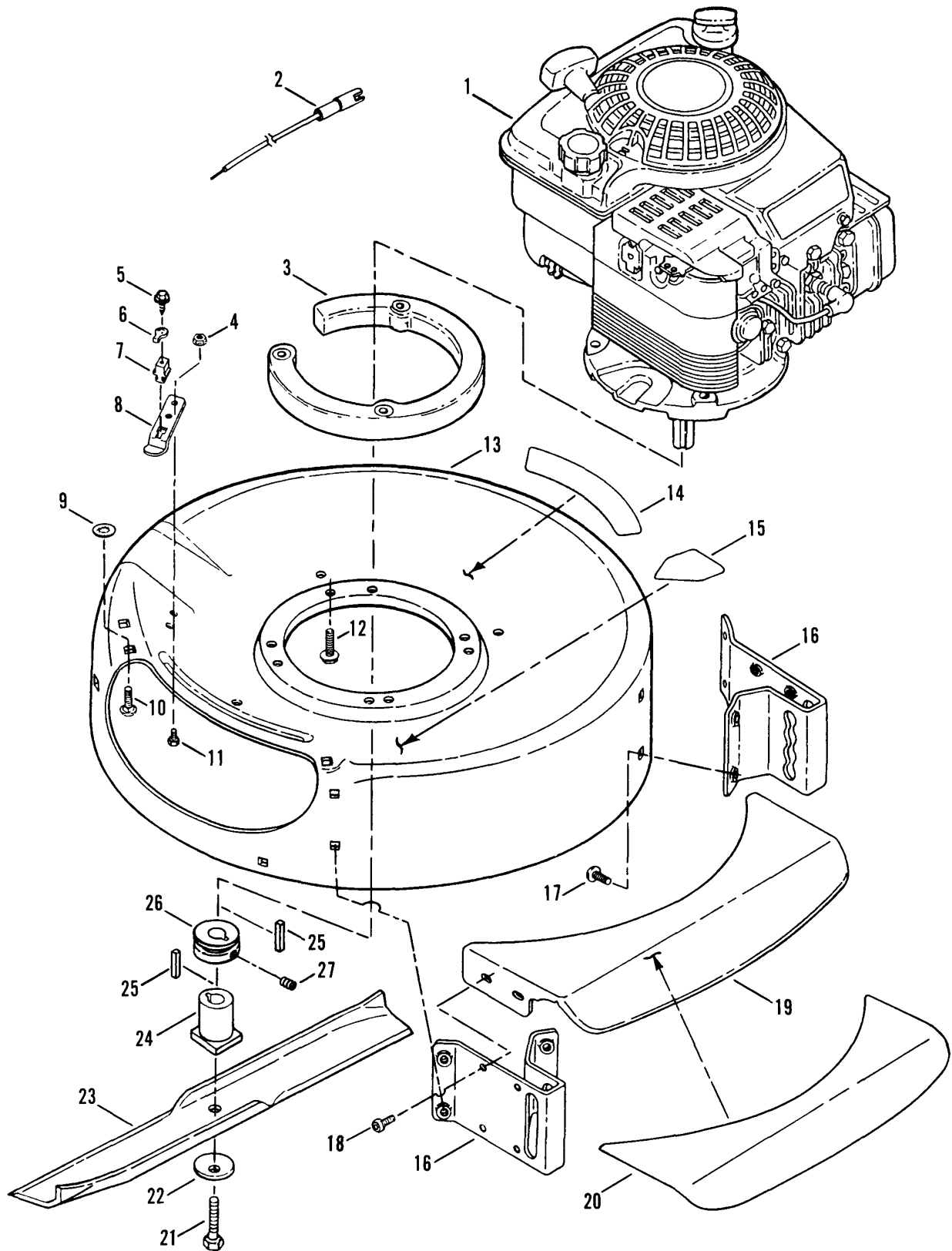
## Engine, Cutting Deck, Blade, Interlock (Push Models)

Item	Part No	Qty	Description	Note
1	--		*ENGINE, 5 HP Briggs & Stratton XM, Model 12F802-0848-01	
2	7026879	1	WIRE, Ground	
3	7028430	1	RING, Engine Mount	(For Push Models)
4	7091584	2	NUT, 1/4-20 Hex Flange Lock	Was 91065
5	7090379	1	SCREW, #8-18 x 3/4" Hex Washer Head	
6	7090385	1	WASHER, #8 Tab Internal Tooth Lock	
7	7012048	1	INSULATOR	
8	7034404	1	SPRING, Interlock, (Short)	(Serial No's. 55609619 & Up)
	7033408	1	SPRING, Interlock (Long)	(Serial No's. 55600001 to 55609618)
9	7011791	2	RETAINER, 5/16 Bolt	
10	7091508	2	BOLT, 5/16-18 x 3/4" Short Neck Carriage, Grade 5	Was 90001
11	7090071	2	SCREW, 1/4-20 Hex Head Cap, Grade 5	
12	7091088	3	SCREW, 3/8-16 x 2" Hex Washer Head, Self-Tapping	
13	7053822	1	DECK, 20" Cutting	(Includes items 14 & 15)
14	7024379	1	DECAL - WARNING	
15	7013010	1	DECAL - DANGER (Keep Hands & Feet Away)	
16	7034362	2	BRACKET, Front Wheels	
17	7091542	12	SCREW, 5/16-18 x 1/2" Pan Head Torx, Self-Tapping	
18	7090913	1	SCREW, #10-24 x 1/2" Hex Washer Self-Tap (Torx)	
19	7034363	1	PLATE, Deck Front	
20	7029659	1	DECAL, "Whipper" SNAPPER	
21	7090167	1	SCREW, 3/8-24 x 2" Hex Head Cap, Grade 5	
22	7012063	2	WASHER, Cone	
23	7017167	1	BLADE, Mulching	
24	7026189	1	HUB, Blade	
25	7010783	1	KEY, #505 HI-PRO	
26	7034418	1	BRACKET, Rear Wheel	(Right Side Shown)
	7034419	1	BRACKET, Rear Wheel	(Left Side - Not Shown)

### Footnotes:

Purchase Engine & Engine parts, other than those listed, from engine service outlets.

**Engine, Cutting Deck, Blade, Interlock (Self-Propelled Models)**

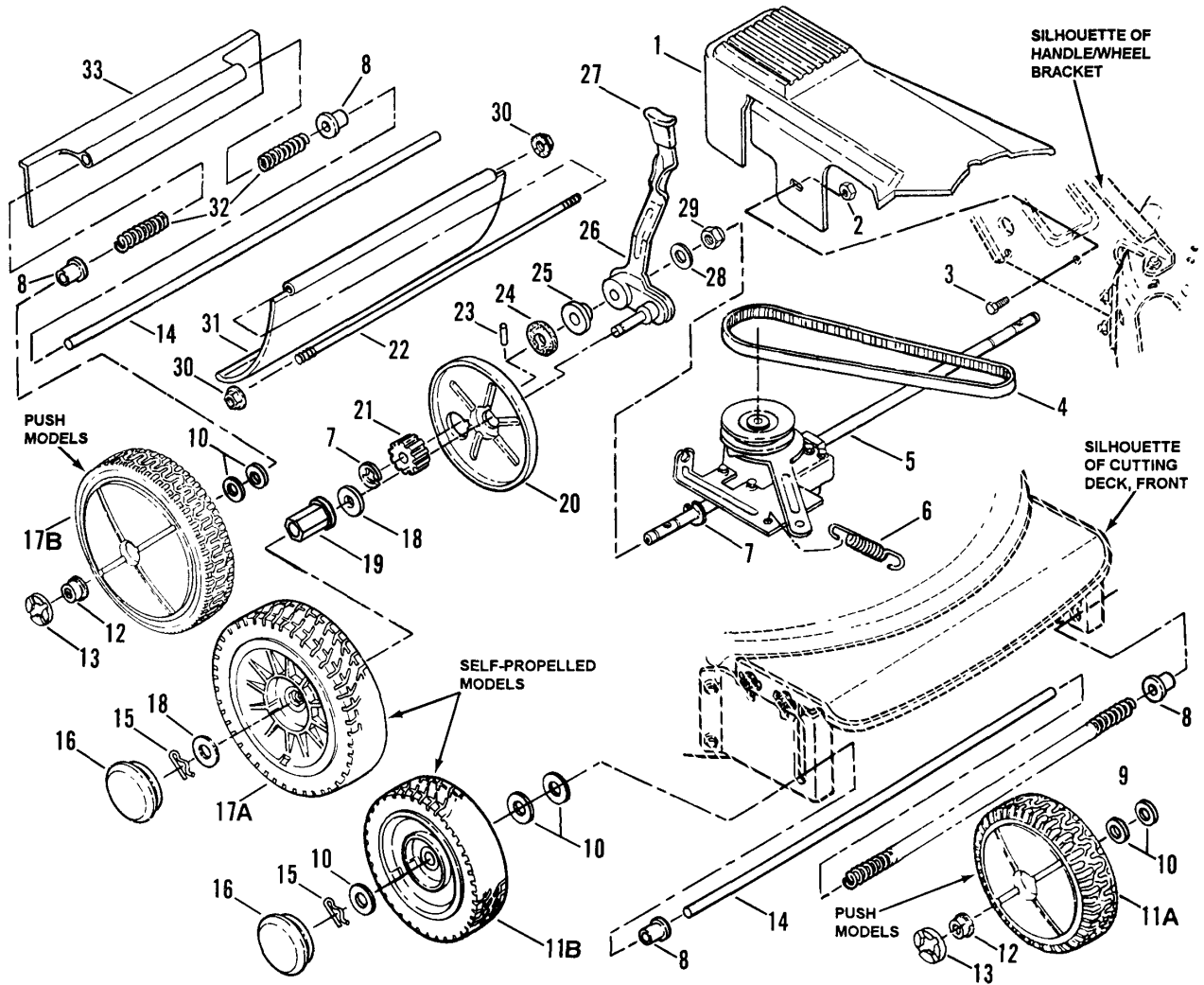


## **Engine, Cutting Deck, Blade, Interlock (Self-Propelled Models)**

<b>Item</b>	<b>Part No</b>	<b>Qty</b>	<b>Description</b>	<b>Note</b>
1	--		ENGINE, 5 HP Brigg's & Stratton XM, Model 12F802-0848-01	
2	7026879	1	WIRE, Ground	
3	7029736	1	RING, Engine Mount	<i>(For Self-Propelled Model)</i>
4	7091584	2	NUT, 1/4-20 Hex Flange Lock	<i>Was 90583</i>
5	7090379	1	SCREW, #8-18 x 3/4" Hex Washer Head	
6	7090385	1	WASHER, #8 Tab Internal Tooth Lock	
7	7012048	1	INSULATOR	
8	7034404	1	SPRING, Interlock	
9	7011791	3	RETAINER, 5/16 Bolt	
10	7091508	3	BOLT, 5/16-18 x 3/4" Short Neck Carriage, Grade 5	<i>Was 90001</i>
11	7090071	2	SCREW, 1/4-20 Hex Head Cap, Grade 5	
12	7091088	3	SCREW, 3/8-16 x 2" Hex Washer Head, Self-Tapping	
13	7053821	1	DECK, 20" Cutting	<i>(Includes items 14 &amp; 15)</i>
14	7024379	1	DECAL - WARNING	
15	7013010	1	DECAL - DANGER (Keep Hands & Feet Away)	
16	7034362	2	BRACKET, Front Wheels	
17	7091542	12	SCREW, 5/16-18 x 1/2" Pan Head Torx, Self-Tapping	
18	7090913	4	SCREW, #10-24 x 1/2" Hex Washer Self-Tap (Torx)	
19	7034363	1	PLATE, Deck Front	
20	7029659	1	DECAL, "Whipper" SNAPPER	
21	7090167	1	SCREW, 3/8-24 x 2" Hex Head Cap, Grade 5	
22	7012063	1	WASHER, Cone	
23	7017167	1	BLADE, Mulching	
24	7026189	1	HUB, Blade	
25	7010783	2	KEY, #505 HI-PRO	
26	7021764	1	PULLEY, .88 x 2.12" O.D.	
27	7090201	1	SCREW, 5/16-18 x 5/16" Hex Socket Set	

### **Footnotes:**

\*Purchase Engine & Engine parts, other than those listed, from engine service outlets.

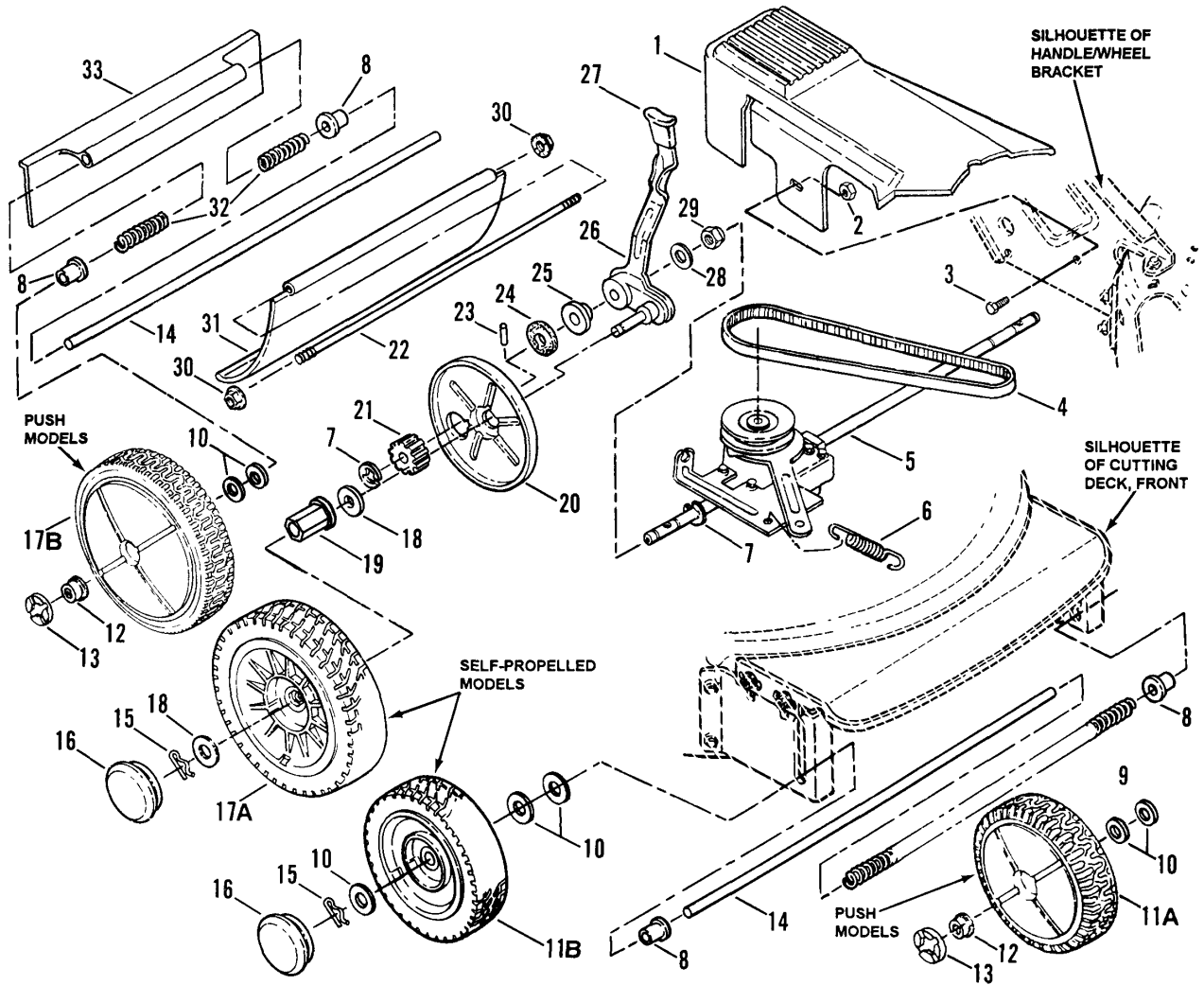


## Wheels, Guards, Axle, Transmission

Item	Part No	Qty	Description	Note
1	7029622	1	COVER, Belt	
2	7090372	2	NUT, 1/4-20 Hex Cap Lock	
3	7090071	2	SCREW, 1/4-20 x 1/2" H.H.C.	
4	7028382	1	BELT, Drive	
5	7029344	1	ASSEMBLY, Transmission	
6	7028379	1	SPRING, Tension	
7	7014341	4	RING, Retaining	
8	7013320	4	BUSHING, Height Adjustment	
9	7013307	1	SPRING, Front Axle	
10	7090122	6	WASHER, 3/8" Flat	
11A	7022259	2	WHEEL, Front, 7 x 1.75"	<i>(For Push Models)</i>
11B	7053500	2	WHEEL, Front, 7 x 1.75"	<i>(For Self-Propelled Models)</i>
12	7013024	4	HUB-CAP, Wheel	
13	7017829	4	PLUG, Wheel	
14	7034357	2	AXLE, Front & Rear, 375 x 19.60"	<i>Was 37946 (For Push Models); (Shown)</i>
	7034357	1	AXLE, Front, 375 x 19.60"	<i>(For Self-Propelled Models)</i>
15	7091193	4	PIN, 1/16 x 15/16" Hair	
16	7028429	4	HUB-CAP, Wheel	<i>(Self-Propelled Models)</i>
17A	7074629	2	WHEEL, Rear, 8 x 2.00"	<i>Was 53508 (For Self-Propelled Models)</i>
17B	7022260	2	WHEEL, Rear, 8 x 2.00"	<i>(For Push Models)</i>
18	7091194	2	WASHER, 1/2 Flat	
19	7073618	2	BUSHING, Rear Wheel	<i>Was 24541</i>
20	7024573	2	SHIELD, Dust	
21	7024549	1	GEAR, Pinion (Right Hand)	
	7024550	1	GEAR, Pinion (Left Hand)	
22	7028572	1	ROD, Trail Shield	<i>(For Self-Propelled Models)</i>
23	7024749	2	PAWL, 3/16	
24	7026479	2	SEAL, Felt Pinion	
25	7026478	2	RETAINER, Pinion Seal	
26	7053684	1	ASSM'Y, Height Adjusting (Right Hand)	
	7053685	1	ASSM'Y, Height Adjusting (Left Hand)	
27	7027702	2	GRIP, Height Adjuster	
28	7091641	2	WASHER, Flat	
29	7021001	2	NUT, Shoulder, 3/4-16 Hex Jam	
30	7091601	2	NUT, 5/16-18 Hex Flange Lock	<i>Was 91070</i>
31	7029859	1	GUARD, Rear Foot	<i>(For Self-Propelled Models)</i>
32	7013027	2	SPRING, Rear Guard	<i>(For Push Models)</i>

### Footnotes:

**Wheels, Guards, Axle, Transmission**



## ***Wheels, Guards, Axle, Transmission***

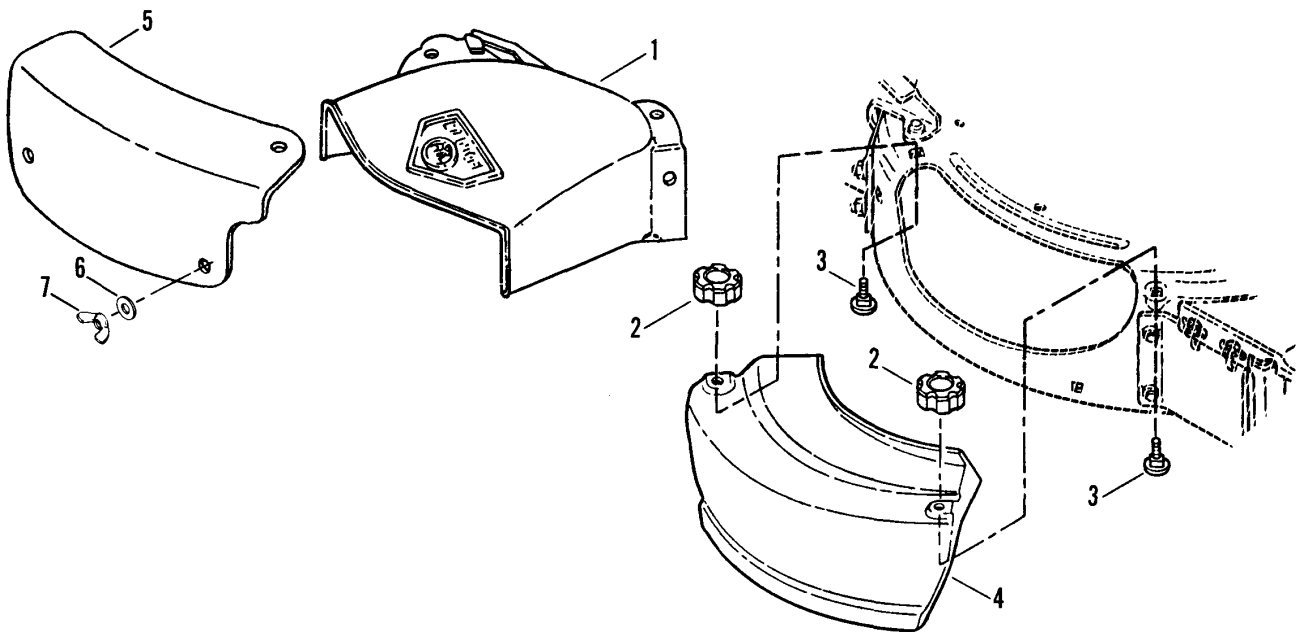
---

<b>Item</b>	<b>Part No</b>	<b>Qty</b>	<b>Description</b>	<b>Note</b>
33	7018444	1	GUARD, Rear Foot	<i>(For Push Models)</i>

**Footnotes:**

# Side Chute, Adapter

---



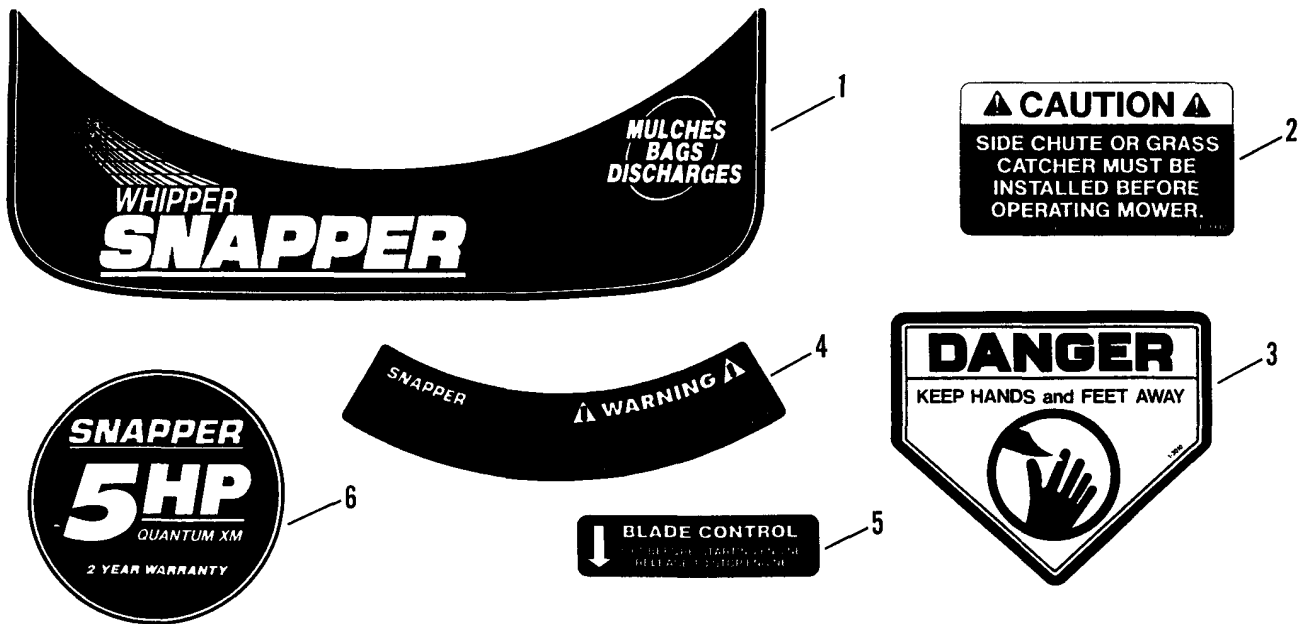


## **Side Chute, Adapter**

---

<b>Item</b>	<b>Part No</b>	<b>Qty</b>	<b>Description</b>	<b>Note</b>
1	7053680	1	ASSEMBLY,	<i>Side Chute/Adapter</i>
2	7029700	2	KNOB, Fluted, 5/16-18 Thread	
3	7091508	2	BOLT, 5/16-18 x 3/4" Short Neck Carriage, Grade 5	<i>Was 90001 (3 used with item 5)</i>
4	7029630	1	COVER, Recycling	
5	7017169	1	COVER, Recycling	<i>Was 34679 (Push Models- Serial No's. 55600001 to 55609618)</i>
6	7091076	3	WASHER, 5/16 Flat	
7	7024085	3	WING-NUT, 5/16-18 Nyloc	

### **Footnotes:**



## ***Decals***

---

<b>Item</b>	<b>Part No</b>	<b>Qty</b>	<b>Description</b>	<b>Note</b>
1	7029659	1	DECAL, "WHIPPER" SNAPPER	
2	7013312	1	DECAL, CAUTION (Discharge Opening)	
3	7013010	1	DECAL, DANGER (Keep Hands & Feet Away)	
4	7024379	1	DECAL, WARNING (Serial No. Blank)	
5	7024211	1	DECAL, Blade Control	
6	7029657	1	DECAL, SNAPPER 5HP Quantum XM	

### **Footnotes:**





*Parts Manual for*

# **SNAPPER®**

## **20" STEEL DECK 5 HP PUSH & PROPELLED WALK BEHIND MOWERS SERIES 0**

IT IS THE POLICY OF SNAPPER TO IMPROVE ITS PRODUCTS  
WHenever IT IS POSSIBLE AND PRACTICAL TO DO SO. WE  
RESERVE THE RIGHT TO MAKE CHANGES OR ADD IMPROVEMENTS  
AT ANY TIME WITHOUT INCURRING ANY OBLIGATION TO MAKE  
SUCH CHANGES ON PRODUCTS MANUFACTURED PREVIOUSLY.

**SNAPPER®** McDonough, GA, 30253 U.S.A.