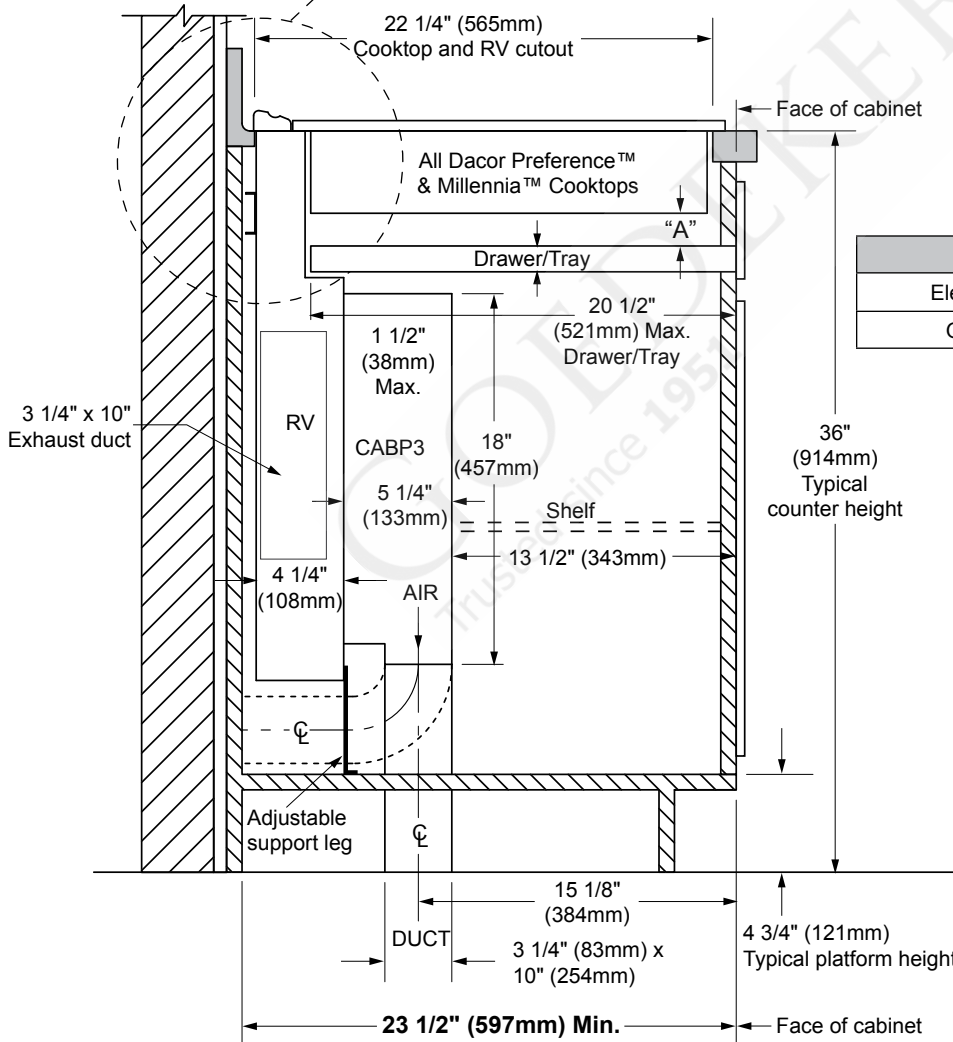
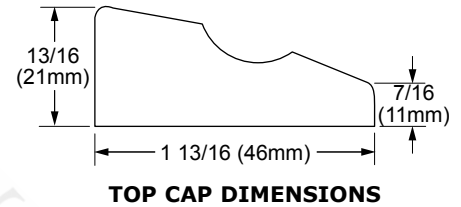
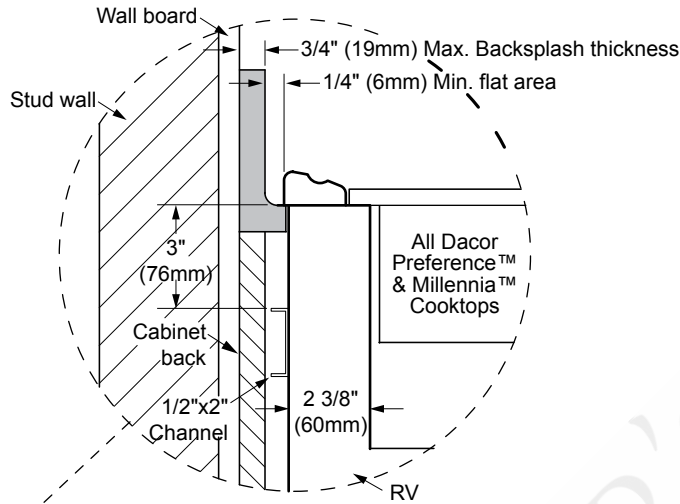


# RV30, RV36, RV46



Models	"A" Min. Clearance
Electric Cooktops	2" (51mm)
Gas Cooktops	1/4" (6mm)

**CABP3 CABINET BLOWER INSTALLATION**  
(Cutaway Side View)

# RV30, RV36, RV46

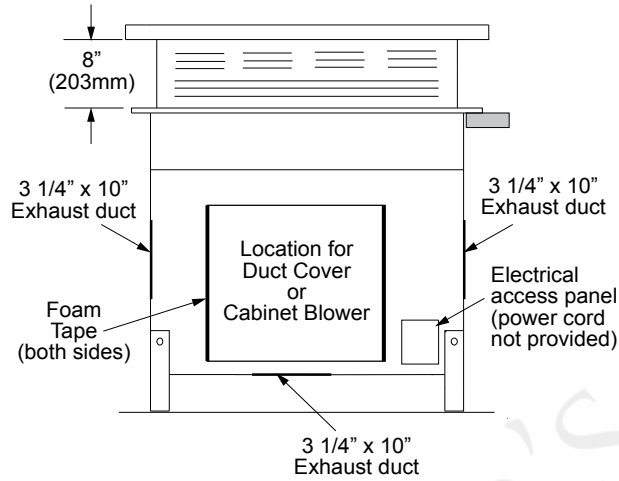
**dacor**  
The life of the kitchen™

091805

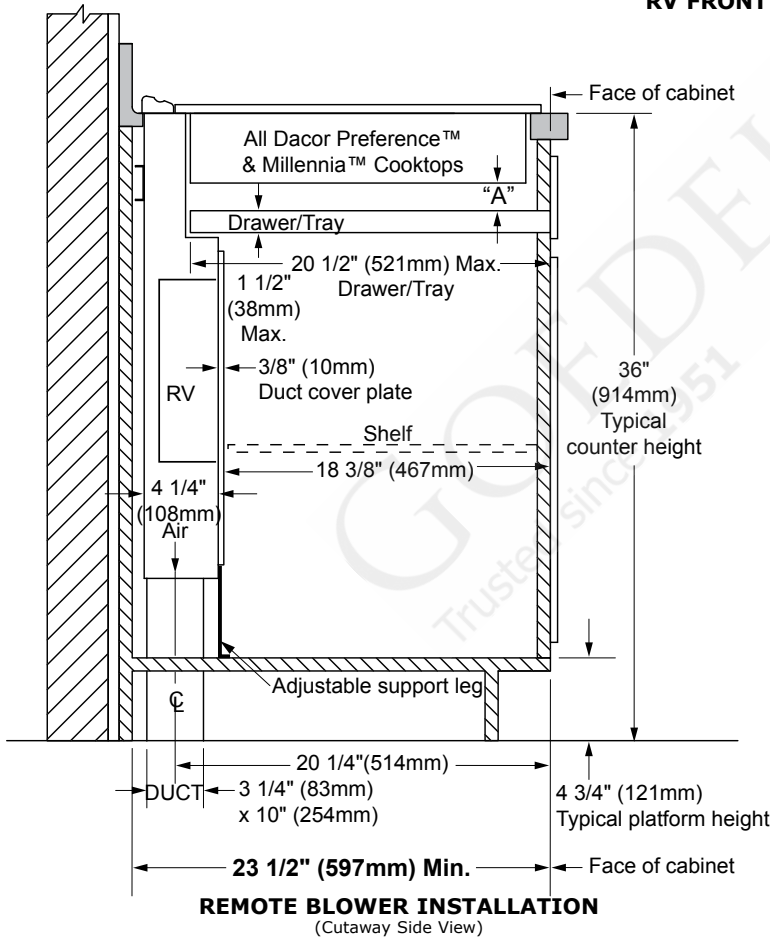
**30", 36", 46" Wide,  
Raised Vent**

2/2

**PLANNING  
GUIDE**



**RV FRONT VIEW**



Models	"A" Min. Clearance
Electric Cooktops	2" (51mm)
Gas Cooktops	1/4" (6mm)

Model No.	Overall Width	Overall Height (Top Cap in Down Position)	Overall Height (Top Cap in Up Position)	Dedicated Circuit Required	Maximum Duct Length	Total Connected Load	Approximate Shipping Weight
RV30	30" (762mm)	26 11/16" (67mm) from finished countertop to bottom of RV Chassis	8" (203mm) from finished countertop to top of RV Top Cap	120VAC, 60Hz, 15A	Refer to Duct Planning Specifications	Refer to Blower Specifications	48 lbs.
RV36	36" (914mm)		56 lbs.				
RV46	46" (1168mm)		68 lbs.				

Web: <http://www.dacor.com>  
Corporate Phone: 800-793-0093

Specifications are subject to change without notice. See installation instructions for additional details. **8.3**  
L65339 rev C