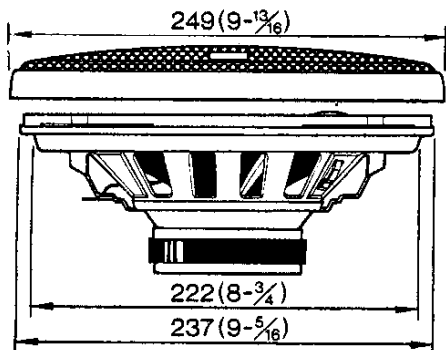
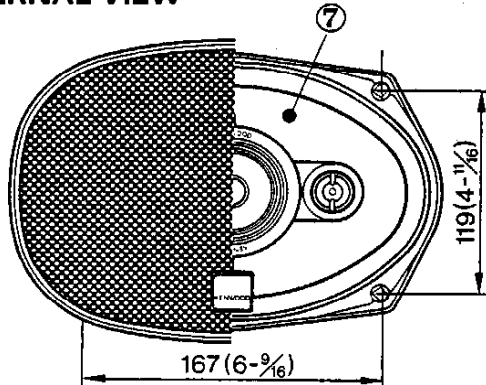


DOOR/REAR DECK SPEAKER
KFC-6984
 SERVICE MANUAL

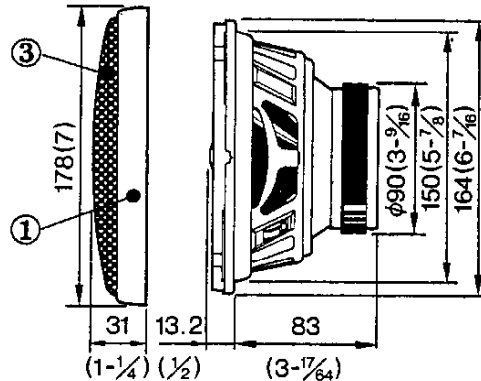
KENWOOD

© 1994-10 PRINTED IN JAPAN
 B51-6765-00(N)1308

EXTERNAL VIEW



UNIT : mm (inch)



PARTS INCLUDED

- ③ X 2
- ①
- ⑥ M4 X 70 X 8
- ⑥ M4 X 8
- ② 4.5m(15ft) X 2
- ⑥ M4 X 8
- ⑤ X 1
- ⑥ φ4 X 8
- ⑥ φ4 X 40 X 8
- ⑥ φ4 X 8

SPECIFICATIONS

- Speakers
 - Woofers 153 x 229mm (6 x 9 in) P.P. Cone Type
 - Midrange φ70mm (2-3/4 in) Water Resistant Cone Type
 - Tweeter φ25mm (1 in) Dome Type
 - Super Tweeter φ20mm (13/16 in) Dome Type
- Peak Power 150Watts
- Frequency Response 28Hz~27,000Hz
- Sensitivity 93dB/W at 1m
- Impedance 4 Ohms
- Net Weight With Grille 3,300g(7.3 lb)/Pair

Note: **KENWOOD** follows a policy of continuous advancements in development. For this reason specifications may be changed without notice.

PARTS LIST

* New parts

Parts without **Parts No.** are not supplied.

Ref No.	New parts	Parts No.	Description
①	*	B06-0905-08	GRILL
②		E30-5117-08	CORD SET
③	*	F09-1105-08	PROTECTOR
⑤		J69-0103-08	VISCOUS TAPE
⑥		N99-1220-08	SCREW SET
⑦	*	T15-0278-08	SPEAKER