

AD-4322 MKII

weighing indicator

High Performance Weighing Indicator with Memory and Total Computer Control

The AD-4322 MKII offers a wide range of advanced functions. A high display resolution of 1/20,000, Memory +, -, ID Code and many other functions make the AD-4322 the ideal choice for Bench, Floor, Checkweighing and Weigh-In/Out Systems.

Tare Memory / Code Memory

Up to 50 tare values may be assigned ID numbers (8 digits) and stored in the Tare Memory. In addition, the AD-4322 can store up to 100 eight digit codes, each containing Tare Weight Value, Low Limit Setpoint, High Limit Setpoint and Code Total.

Comparator Function

Displays "Under, Accept and Over" prominently on the indicator display, alerting the operator of the in/out-of-tolerance status of the package being weighed.

Advanced Connectivity

RS-232C Interface Option, Built-in Printer Option, Digital Clock/Date Option, Digital Filtering.

Digital Linearization

The AD-4322 MKII has 3 point digital calibration to improve overall linearity, assuring maximum system accuracy.

Gravity Compensation

Ensures accurate weighing when your scale is shipped from one location to another.

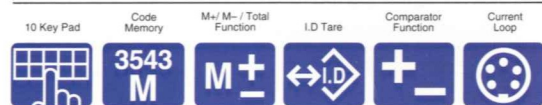
Truck Scale Mode

Use for standard truck weighing or in/out weighing. Enter the tare weight of preloaded trucks or recall previously entered tare weights and accumulated code totals from the 100 number Code Memory.

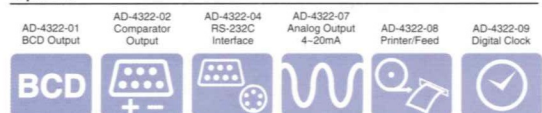


IP-65

Standard



Options



- High Display Resolution of 1/20,000
- Full Digital Calibration
- M+ / M- / Total Function
- Code Memory, ID/Tare Function
- Fast Sample Rate 16 times per second
- 10-key pad for entry of numerical data
- Clearly marked Annunciators
- Dual Display
- Digital Filtration – Four levels of selectable Stability Filtration.
- Legal for Trade NTEP Approval



AND
A&D WEIGHING
...Clearly a Better Value

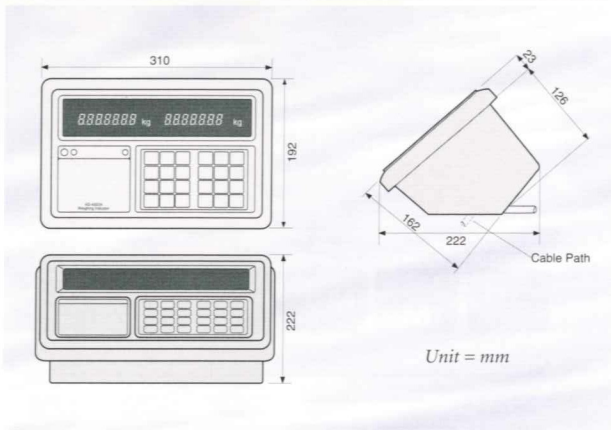
AD-4322 MKII

Specifications:

Analog Input and A/D Conversion		Digital Section		General	
Load Cell Excitation	12V DC $\pm 5\%$, 280mA (up to 8 load cells at 350 /load cell)	Weight Display	13mm, 7 digits, High intensity blue fluorescent	Power	120 V AC $\pm 10\%$ / -15% 50/60Hz
Zero Adjustment Range	$-6mV \sim +30mV$	Tare Display	11mm, 8 digits High intensity blue fluorescent	Memory Battery Backup	Lithium, over 6 years without AC power
Input Sensitivity	0.6 μ V/D or greater	Display Resolution	20,000 counts (maximum)	Operating Temperature	$-10^{\circ}C \sim 40^{\circ}C$
Non-Linearity	$\pm 0.01\%$ of full scale	Under ZERO Indication	"-" minus sign	Storage Temperature	$-15^{\circ}C \sim 85^{\circ}C$
Temperature Coefficient	Zero $\pm (0.2\mu V + 0.0008\%$ of dead load)/ $^{\circ}C$ Span 8ppm/ $^{\circ}C$ of reading	Annunciators	Centre of Zero, Motion detection, Net/Gross, Tare Entered, kg, lb (lb or kg version), † (kg or t version)	Operating Humidity	Less than 85% RH (Non-Condensing)
Input Impedance	10M Ω minimum	Switches	Standby/Operate, Zero, Tare Net/Gross, Print, Code, ID/Tare, Clear, Enter, M+, M-, Total, Feed	Net Weight	Approximately 3.5kg
Input Noise	$\pm 0.3\mu$ Vp-p	Minimum Division	X1, X2, X5, X10, X20, X50	Physical Dimensions	310(W) x 149(D) x 192(H) mm
Conversion Method	3 phase, true integrating dual-slope type	Maximum Display	"999950"	Panel Cutout	294+1.0/-0(W) x
A/D Resolution	330,000 counts (maximum)			Dimensions	174+0.5/-0(H) mm
A/D Conversion Rate	Approximately 16 times /second			Standard Accessories	Manual, Fuse, Capacity Sticker, Serial Connector, Load Cell Connector

The AD-4322 MKII... Meeting the Demands of Today's Weighing Market

Dimensions:



Features:

- Digital Linearization
- Comparator Function
- Tare/Code Memory
- 2 Weight Displays
- Gravity Compensation
- Full Digital Calibration
- Checkweigh Mode
- 12 Key Function Selection

AD-8118B Basic Printer

This quiet and speedy Universal dot matrix printer has a full range of statistical functions. Built-in timer/clock/calendar functions for detailed printouts and timed interval printing. Charting selectable to show change in weight, interval time, etc. Battery or AC adaptor operation. Accepts RS-232C or Current Loop output



Options:

- AD-4322-01 Parallel BCD Output
- AD-4322-01A BCD Output TTL Level (Board Mod.)
- AD-4322-02 External I/O
- AD-4322-04 RS-232C Interface
- AD-4322-07 Analog Output (4~20mA)
- AD-4322-08 Built in printer with feed, 24 digit/line
- AD-4322-09 Digital Clock for Option AD-4322-08
- AD-4322-10 Panel mounting kit
- AD-4322-11 Wall mounting kit

AD-1131 Universal Printer

- Basic printing functions
- Clear impact dot matrix print
- Accepts RS-232C input from A&D's scales, balances or indicators
- Selectable Language Print
- Internal rechargeable battery or AC Operation (both included)



Your Authorized A&D Distributor:

A&D
A&D WEIGHING
...Clearly a Better Value



A&D WEIGHING
1555 McCandless Dr.
Milpitas, CA 95035, U.S.A.
www.and1.com

800 800-726-3364
Tel: (1) 408 263 5333
Fax: (1) 408 263 0119
E-mail value@and1.com