

# ELEVATION SERIES CROSS-TRAINERS

95X-ALLxx-xx

## Parts Manual

20.09.11



# Table of Contents

---

|  |           |
|--|-----------|
| <b>Miscellaneous</b>                           | <b>2</b>  |
| Miscellaneous Part Numbers                     | 2         |
| <b>Console Assembly</b>                        | <b>3</b>  |
| Consoles                                       | 3         |
| Back Console Cover and Console Support Bracket | 4         |
| <b>Drive System</b>                            | <b>5</b>  |
| Rear Tower Covers                              | 5         |
| Upper Tower Components                         | 6         |
| <b>Base Frame Electronics</b>                  | <b>8</b>  |
| Battery,GBC and Poly-V Belt                    | 8         |
| Cables   | 10        |
| <b>Frame System</b>                            | <b>12</b> |
| Collar Covers and Dead Shaft End Caps          | 12        |
| Bull Horns and Handlebars                      | 13        |
| Mono-column and Dead Shaft                     | 14        |
| Swoosh Covers and Stabilizer Assemblies        | 12        |
| <b>Linkage System</b>                          | <b>16</b> |
| Rocker Arms and Front Clevis Covers            | 16        |
| Pedal Levers                                   | 17        |
| Frame Cover and Rocking Links                  | 18        |
| <b>Timing System</b>                           | <b>19</b> |
| Rocker Assembly Cover                          | 19        |
| Rocker Assembly Components                     | 20        |

# Miscellaneous

## Miscellaneous Part Numbers

| Item     | Alpha Code(s) | Part Number     | Description  |
|----------|---------------|-----------------|--|
| MISC-001 | XHT, XTM      | M051-00K65-A001 | Operation Manual                                   |
| MISC-002 | XHT, XTM      | 0017-00003-1037 | 36V Power Supply                                   |
| MISC-003 | XHT, XTM      | 0017-00003-0704 | Line Cord Dom 10A, 125V                            |
| MISC-004 | XHT, XTM      | 0017-00003-0691 | Line Cord Cont 10A, 250V                           |
| MISC-005 | XHT, XTM      | 0017-00003-0889 | Line Cord U.K. 10A                                 |
| MISC-006 | XHT, XTM      | 0017-00003-0918 | Line Cord Australia                                |
| MISC-007 | XHT, XTM      | 0017-00003-1012 | Line Cord China 10A, 250V                          |
| MISC-008 | XHT, XTM      | LCBCT-DOMLX-01  | Domestic Kit (Power Supply with Cord)              |
| MISC-009 | XHT, XTM      | LCBCT-INTHX-01  | International Kit (Power Supply with Various Cord) |
| MISC-010 | XHT, XTM      | 0017-00008-0210 | .6 Oz Bottle W/Applicator                          |
| MISC-011 | XHT, XTM      | 0017-00008-0211 | .6 Oz Pen  |
| MISC-012 | XHT, XTM      | AK66-00036-0000 | Bracket Assembly: Power/Coax Input                 |
| MISC-013 | XHT, XTM      | 0K66-01063-0000 | Power Coax Bracket                                 |
| MISC-014 | XHT, XTM      | 0017-00021-2846 | F-type Panel Connector                             |
| MISC-015 | XHT, XTM      | 0017-00021-2980 | Cat-5 Receptacle                                   |
| MISC-016 | XHT, XTM      | AK69-00136-0000 | Hardware Bag                                       |



Throughout this document, Assemblies are displayed inside a Rectangle.

# Console Assembly

## Consoles



CN-001, CN-002



CN-007, CN-008,  
CN-009

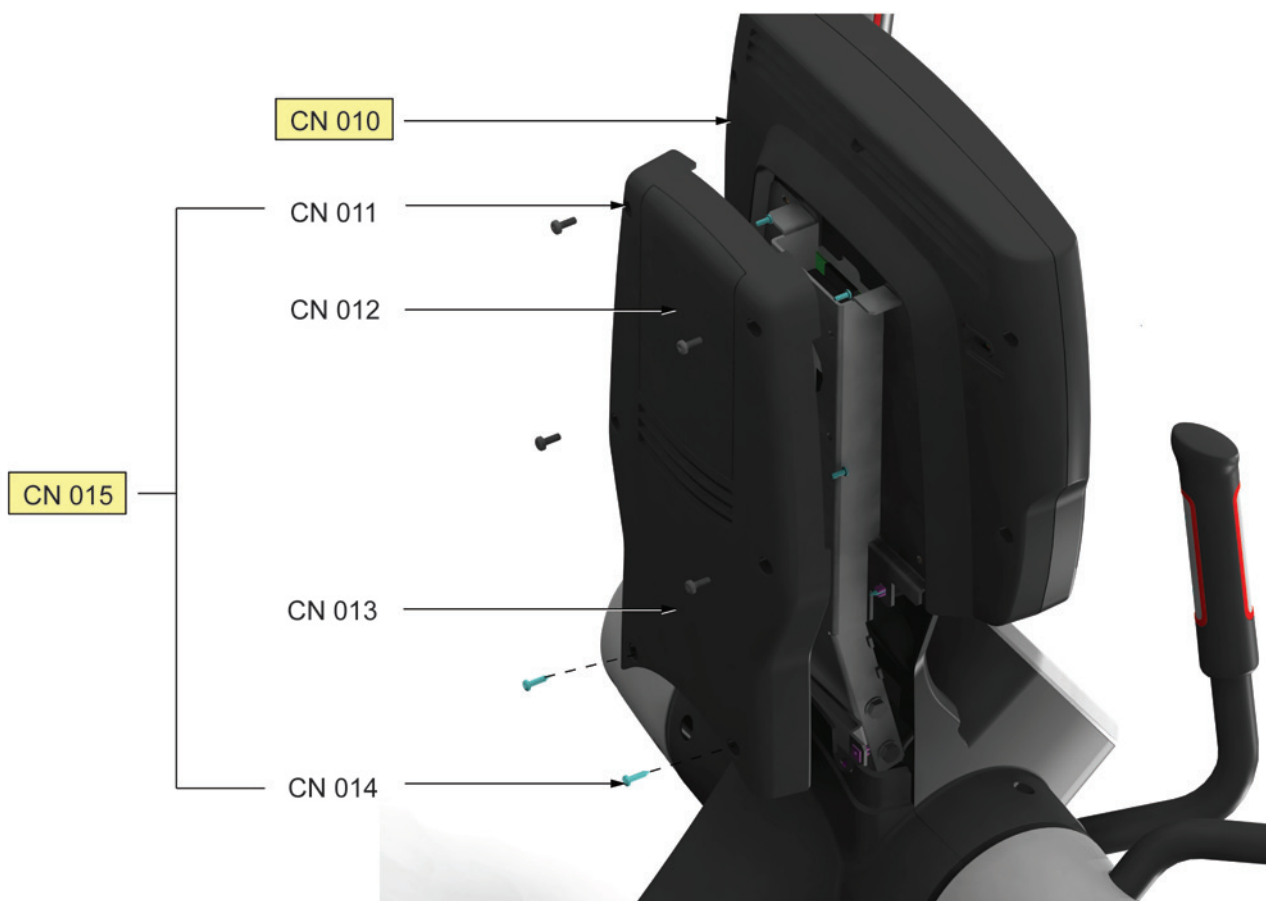


CN-003, CN-004,  
CN-005, CN-006

## Parts List

| Item   | Alpha Code(s) | Part Number    | Description                                    |
|--------|---------------|----------------|--|
| CN-001 | XHT, XTM      | 07-DN-ALLXX-01 | 7-in LCD Bike/CT Console                       |
| CN-002 | XHT, XTM      | 07DN-ALLXX-01R | 7-in LCD Bike/CT Console (Refurbished)         |
| CN-003 | XHT, XTM      | 15DN-ALLXN-01  | 15-in LCD Bike/CT Console - NTSC               |
| CN-004 | XHT, XTM      | 15DN-ALLXN-01R | 15-in LCD Bike/CT Console - NTSC (Refurbished) |
| CN-005 | XHT, XTM      | 15DN-ALLXP-01  | 15-in LCD Bike/CT Console - PAL                |
| CN-006 | XHT, XTM      | 15DN-ALLXP-01R | 15-in LCD Bike/CT Console - PAL (Refurbished)  |
| CN-007 | XHT, XTM      | LEDN-DOMXX-01  | LED Bike/CT Console - Domestic                 |
| CN-008 | XHT, XTM      | LEDN-INTXX-01  | LED Bike/CT Console - International            |
| CN-009 | XHT, XTM      | LEDN-IFIXX-01  | LED Bike/CT Console - International IFI        |

## Back Console Cover and Console Support Bracket



### Part Numbers

| Item   | Alpha Code(s) | Part Number     | Description                 |
|--------|---------------|-----------------|-----------------------------|
| CN-010 | XHT, XTM      | AK69-00081-0000 | Console Support Bracket     |
| CN-011 | XHT, XTM      | 0017-00101-1972 | Console Mounting. Screw (4) |
| CN-012 | XHT, XTM      | 0K69-01126-0000 | Upper Back Cover            |
| CN-013 | XHT, XTM      | 0K69-01122-0000 | Back Console Cover          |
| CN-014 | XHT, XTM      | 0017-00101-1796 | Mounting Screw (2)          |
| CN-015 | XHT, XTM      | AK69-00115-0000 | Back Cover Assembly         |

# Drive System

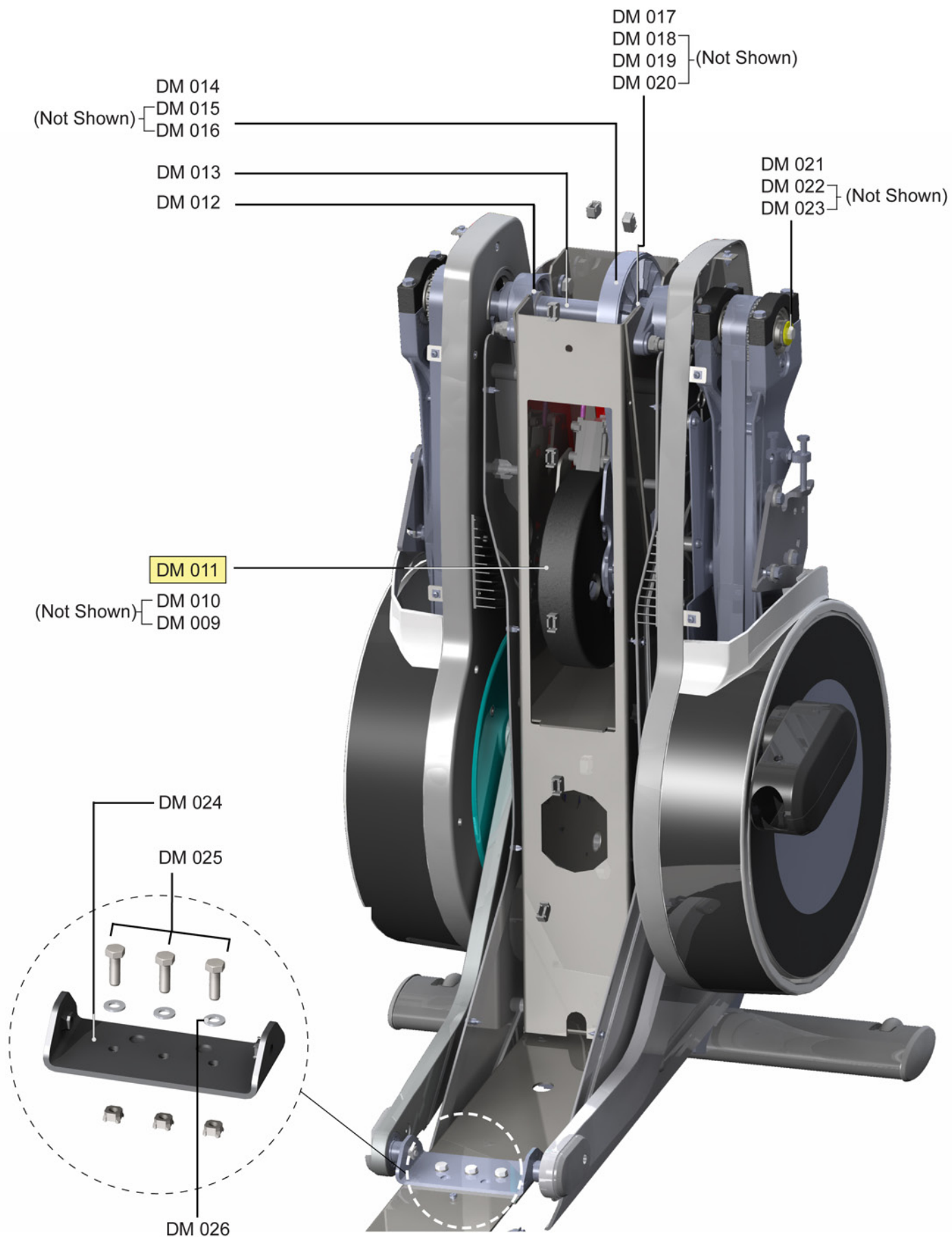
## Rear Tower Covers



## Part Numbers

| Item   | Alpha Code(s) | Part Number     | Description           |
|--------|---------------|-----------------|-----------------------|
| DM-001 | XHT, XTM      | AK69-00083-0000 | Top Rear Tower Cover  |
| DM-002 | XHT, XTM      | 0017-00101-1796 | Mounting Screw (10)   |
| DM-003 | XHT, XTM      | AK69-00125-0000 | Rear Tower Rear Cover |
| DM-004 | XHT, XTM      | 0017-00101-1796 | Mounting Screw (8)    |
| DM-005 | XHT, XTM      | 0K69-01136-0000 | Right Tower Cover     |
| DM-006 | XHT, XTM      | 0017-00101-1796 | Mounting Screw (6)    |
| DM-007 | XHT, XTM      | 0K69-01135-0000 | Left Tower Cover      |
| DM-008 | XHT, XTM      | 0017-00101-1796 | Mounting Screw (6)    |

# Upper Tower Components





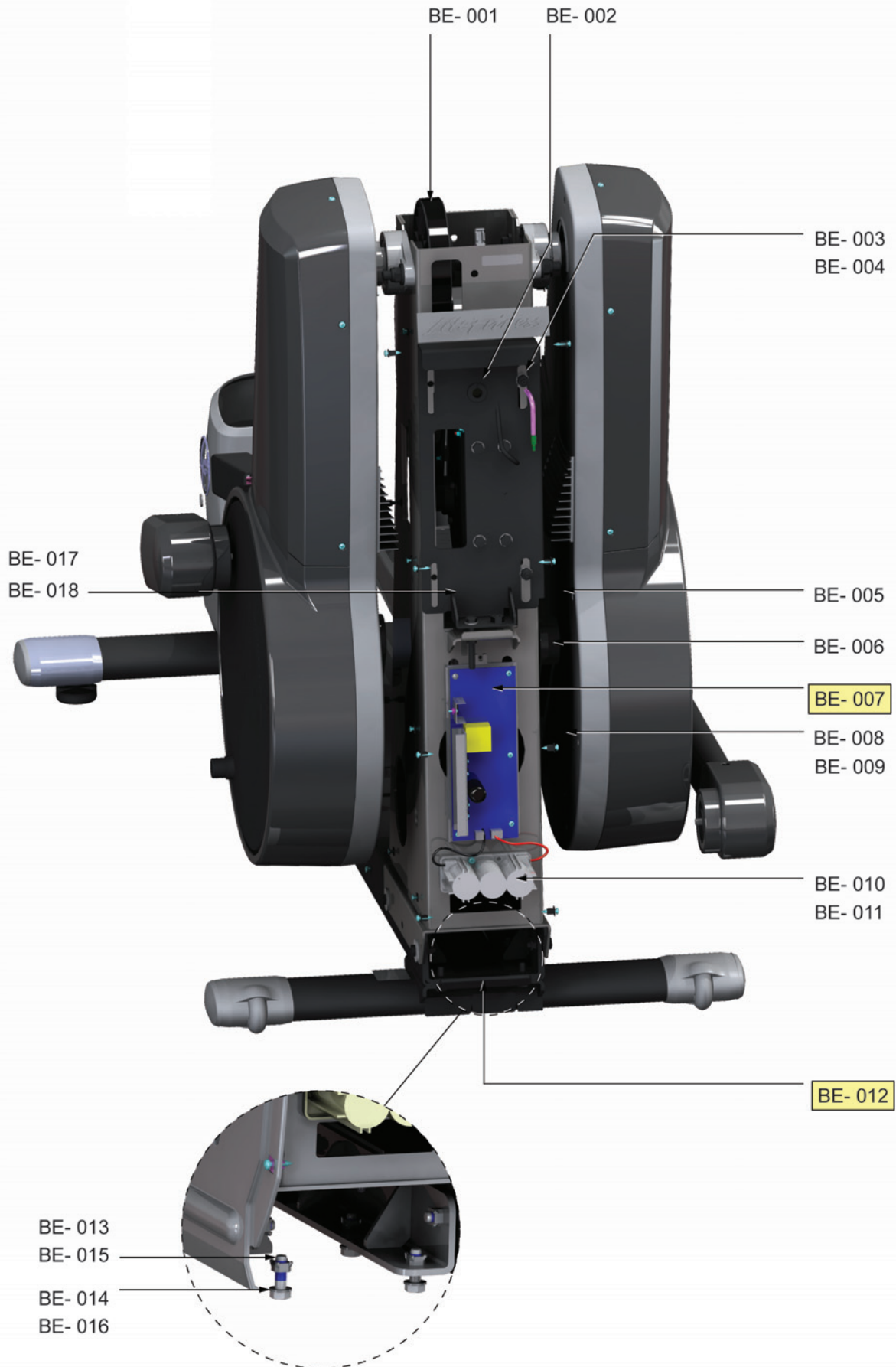
## Part Numbers

| Item   | Alpha Code(s) | Part Number     | Description                        |
|--------|---------------|-----------------|------------------------------------|
| DM-009 | XHT, XTM      | 0017-00104-0469 | Washer (4)                         |
| DM-010 | XHT, XTM      | 0017-00101-1948 | Mounting Bolts (4)                 |
| DM-011 | XHT, XTM      | AK69-00127-0000 | Generator Assembly                 |
| DM-012 | XHT, XTM      | 0017-00100-0148 | E clip                             |
| DM-013 | XHT, XTM      | 0K69-01030-0000 | Drive Shaft                        |
| DM-014 | XHT, XTM      | 0K69-01020-0000 | Drive Pulley                       |
| DM-015 | XHT, XTM      | 0017-00101-2015 | Pulley Set Screws (3)              |
| DM-016 | XHT, XTM      | 0K69-01021-0000 | Key                                |
| DM-017 | XHT, XTM      | 0K69-01019-0000 | Pillow Block Bearing (2)           |
| DM-018 | XHT, XTM      | 0017-00101-1867 | Mounting Bolt (4)                  |
| DM-019 | XHT, XTM      | 0017-00104-0193 | Washer (4)                         |
| DM-020 | XHT, XTM      | 0017-00103-0332 | Mounting Nut (4)                   |
| DM-021 | XHT, XTM      | 0K69-01175-0001 | Keyed Washer                       |
| DM-022 | XHT, XTM      | 0017-00101-1931 | Mounting Screw                     |
| DM-023 | XHT, XTM      | 0017-00104-0409 | Washer                             |
| DM-024 | XHT, XTM      | AK69-00170-0000 | Rocking Link Bracket with Weldnuts |
| DM-025 | XHT, XTM      | 0017-00101-1931 | Mounting Screws (3)                |
| DM-026 | XHT, XTM      | 0017-00104-0469 | Washers (3)                        |



# Base Frame Electronics

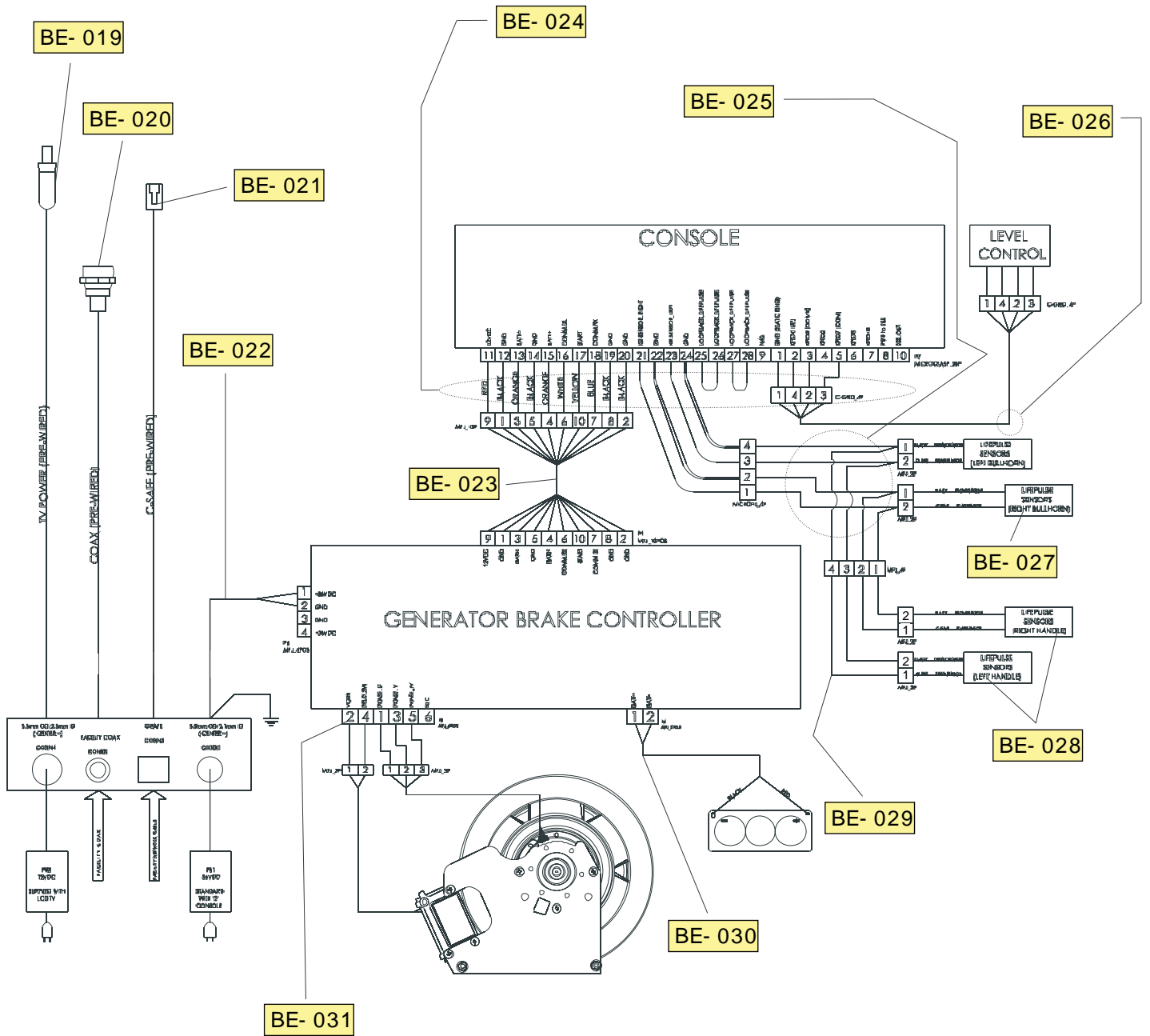
## Battery, GBC and Poly-V Belt



## Part Numbers

| Item   | Alpha Code(s) | Part Number     | Description                                  |
|--------|---------------|-----------------|--|
| BE-001 | XHT, XTM      | 0K69-01196-0000 | Poly-V Belt                                  |
| BE-002 | XHT, XTM      | 0K62-01189-0000 | Grommet                                      |
| BE-003 | XHT, XTM      | 0017-00103-0333 | Generator Bracket Mounting. Nut (4)          |
| BE-004 | XHT, XTM      | 0017-00104-0409 | Washer                                       |
| BE-005 | XHT, XTM      | 0K69-01070-0000 | Inner Crank Cover (left & right)             |
| BE-006 | XHT, XTM      | 0017-00101-2023 | Rear Rocking Link Screw                      |
| BE-007 | XHT, XTM      | AK66-00100-0005 | Generator Brake Control Board Assembly       |
| BE-008 | XHT, XTM      | 0K69-01038-0000 | Inner Crank Arm (inside inner crank cover)   |
| BE-009 | XHT, XTM      | 0K69-01024-0000 | Key  |
| BE-010 | XHT, XTM      | 0017-00003-0685 | 6V Battery                                   |
| BE-011 | XHT, XTM      | 0017-00101-1986 | Mounting Screw (2)                           |
| BE-012 | XHT, XTM      | AK69-00089-0000 | Frame Stiffener (2)                          |
| BE-013 | XHT, XTM      | 0017-00101-1931 | Tower to Stiffener Bolts (3 per side)        |
| BE-014 | XHT, XTM      | 0017-00104-0409 | Tower to Stiffener Washer (3 per side)       |
| BE-015 | XHT, XTM      | 0017-00101-1931 | Stabilizer to Stiffener Washers (2 per side) |
| BE-016 | XHT, XTM      | 0017-00104-0469 | Stabilizer to Stiffener Washers (2 per side) |
| BE-017 | XHT, XTM      | 0017-00101-2002 | Tension Bolt on left side only               |
| BE-018 | XHT, XTM      | 0017-00104-0409 | Washer                                       |

# Cables

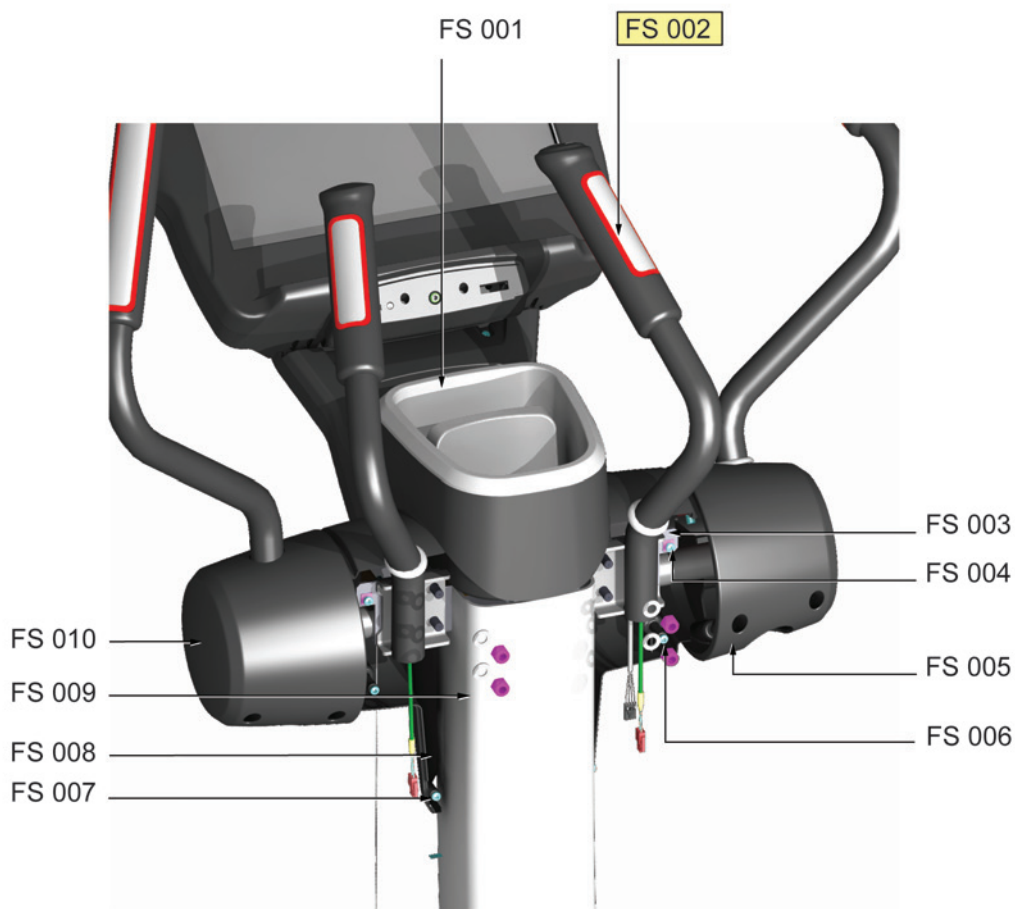


## Part Numbers

| Item   | Alpha Code(s) | Part Number     | Description             |
|--------|---------------|-----------------|-------------------------|
| BE-019 | XHT, XTM      | AK32-00160-0000 | Pwr-Ext Cable w/ferrite |
| BE-020 | XHT, XTM      | AK65-00062-0000 | Rg6 Coax Cable          |
| BE-021 | XHT, XTM      | AK65-00051-0001 | 65" C-Safe Cable        |
| BE-022 | XHT, XTM      | AK69-00107-0001 | Pwr-Ext Cable w/Gnd     |
| BE-023 | XHT, XTM      | AK69-00105-0000 | GBC to Console Cable    |
| BE-024 | XHT, XTM      | AK69-00103-0000 | Handlebar/Console Cable |
| BE-025 | XHT, XTM      | AK69-00109-0000 | LifePulse "Y" Cable     |
| BE-026 | XHT, XTM      | AK69-00108-0000 | Button Assembly. Cable  |
| BE-027 | XHT, XTM      | AK61-00051-0000 | Bullhorn HR cables      |
| BE-028 | XHT, XTM      | AK61-00051-0002 | User Arm HR Cables      |
| BE-029 | XHT, XTM      | AK69-00110-0000 | LifePulse Flex Cable    |
| BE-030 | XHT, XTM      | AK69-00106-0000 | Battery cable           |
| BE-031 | XHT, XTM      | AK69-00104-0000 | Generator/Brake to GBC  |

# Frame System

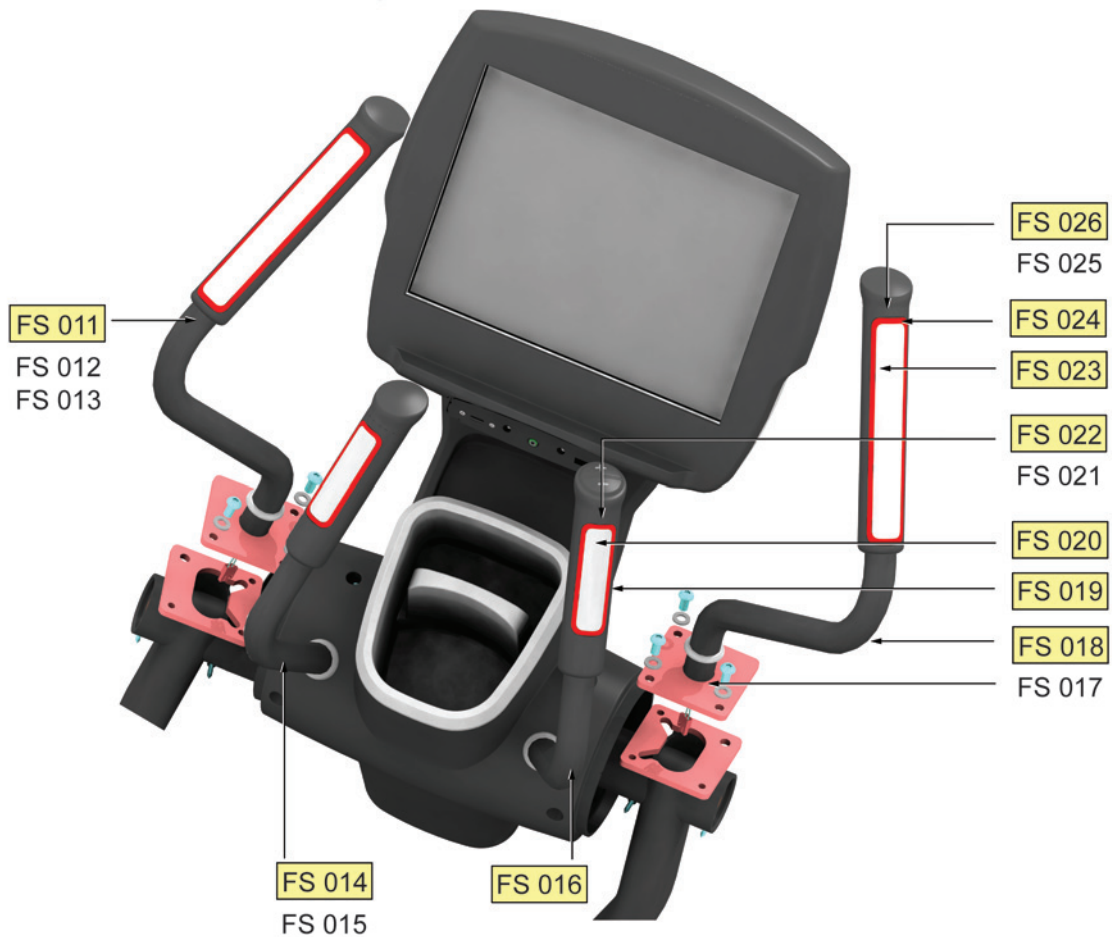
## Collar Covers and Dead Shaft End Caps



### Part Numbers

| Item   | Alpha Code(s) | Part Number     | Description                          |
|--------|---------------|-----------------|--------------------------------------|
| FS-001 | XHT, XTM      | 0K69-01125-0003 | Media Tray                           |
| FS-002 | XHT, XTM      | AK69-00100-0000 | Resistance Level Button Assembly     |
| FS-003 | XHT, XTM      | 0K69-01124-0000 | Top Dead Shaft Cover                 |
| FS-004 | XHT, XTM      | 0017-00101-1796 | Mounting Screw (5)                   |
| FS-005 | XHT, XTM      | 0K69-01127-0000 | Dead Shaft End Cap With Screw Bosses |
| FS-006 | XHT, XTM      | 0017-00101-1796 | Mounting Screw (6)                   |
| FS-007 | XHT, XTM      | 0017-00101-1796 | Mounting Screw (2 per set)           |
| FS-008 | XHT, XTM      | 0K69-01123-0000 | Front Collar Dead Shaft Cover        |
| FS-009 | XHT, XTM      | 0K69-01121-0000 | Rear Collar Dead Shaft Cover         |
| FS-010 | XHT, XTM      | 0K69-01128-0000 | Dead Shaft End Cap Covers            |

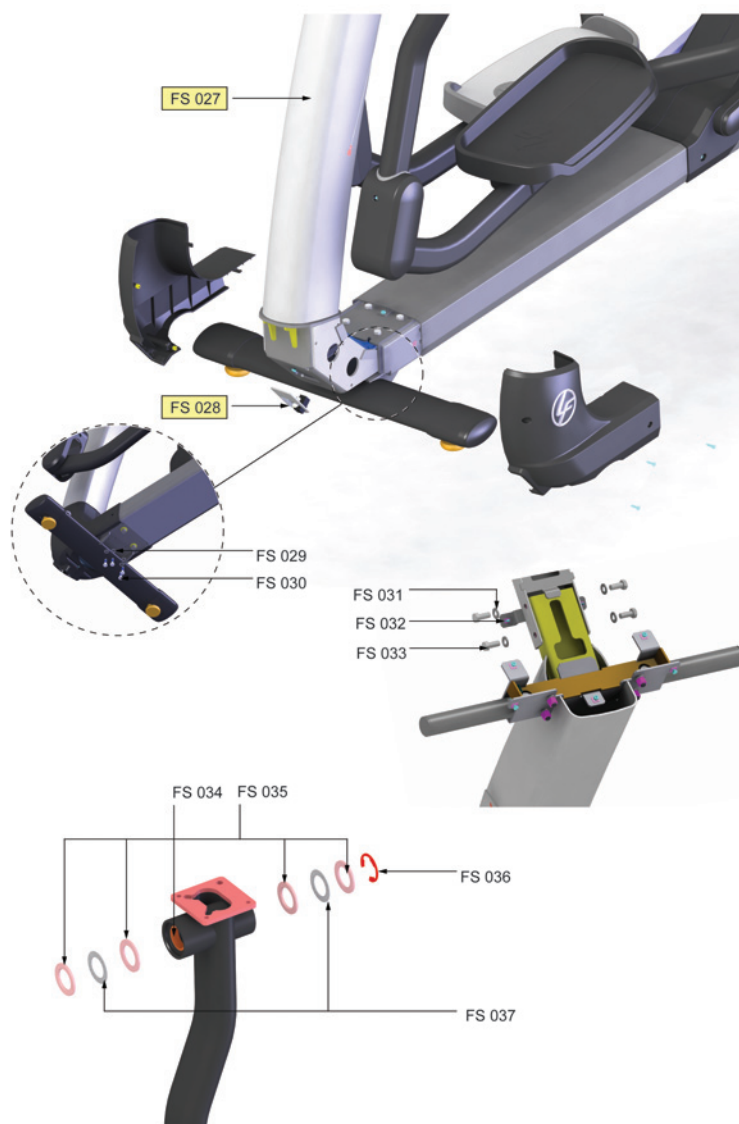
# Bull Horns and Handlebars



## Part Numbers

| Item   | Alpha Code(s) | Part Number     | Description                   |
|--------|---------------|-----------------|-------------------------------|
| FS-011 | XHT, XTM      | AK69-00085-0000 | Left Handle Bar Assembly      |
| FS-012 | XHT, XTM      | 0017-00101-2007 | Mounting Bolt (3)             |
| FS-013 | XHT, XTM      | 0017-00104-0469 | Washer (3)                    |
| FS-014 | XHT, XTM      | AK69-00062-0000 | Left Bullhorn Assembly        |
| FS-015 | XHT, XTM      | 0017-00103-0333 | Mounting Nut (2 per bullhorn) |
| FS-016 | XHT, XTM      | AK69-00068-0000 | Right Bullhorn Assembly       |
| FS-017 | XHT, XTM      | 0K62-01199-0002 | Bullhorn & Handlebar Grommet  |
| FS-018 | XHT, XTM      | AK69-00087-0000 | Right Handle Bar Assembly     |
| FS-019 | XHT, XTM      | AK69-00139-0003 | Top Sensors (2)               |
| FS-020 | XHT, XTM      | AK69-00140-0003 | Bottom Sensors (2)            |
| FS-021 | XHT, XTM      | 0017-00101-2054 | Sensor Mounting Screws (4)    |
| FS-022 | XHT, XTM      | GK69-00002-0001 | Bullhorn Heart Rate Kit       |
| FS-023 | XHT, XTM      | AK69-00102-0000 | Bottom Sensors (2)            |
| FS-024 | XHT, XTM      | AK69-00101-0000 | Top Sensors (2)               |
| FS-025 | XHT, XTM      | 0017-00101-1277 | Sensor Mounting Screws (6)    |
| FS-026 | XHT, XTM      | GK69-00002-0002 | Handlebar Heart Rate Kit      |

# Mono-column and Dead Shaft

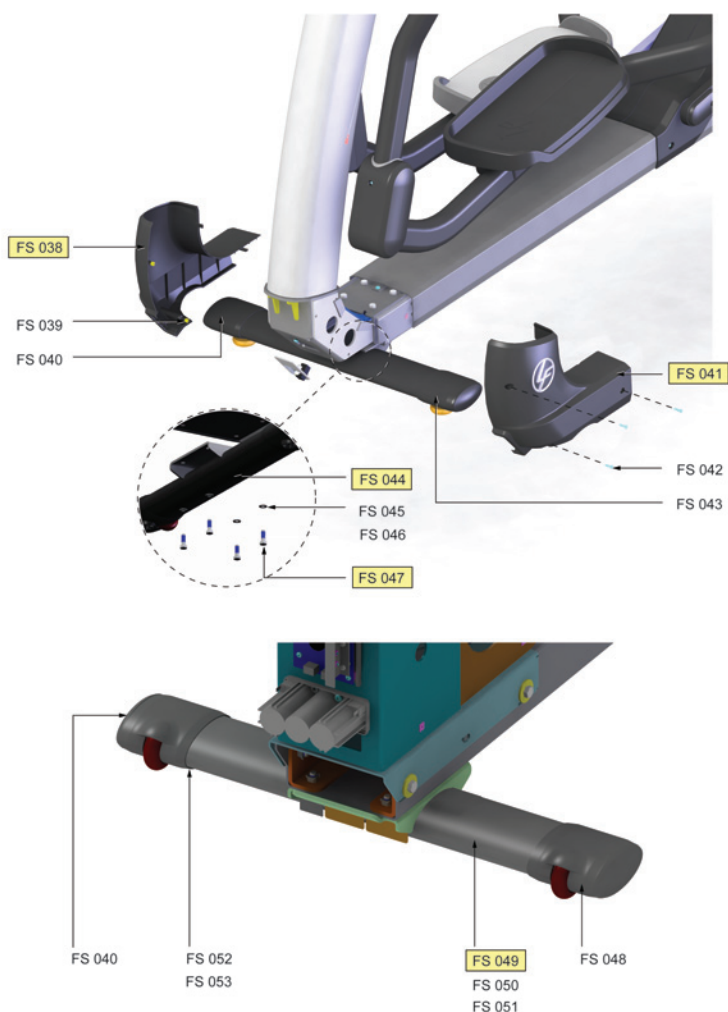


## Part Numbers

| Item   | Alpha Code(s) | Part Number     | Description                        |
|--------|---------------|-----------------|------------------------------------|
| FS-027 | XHT, XTM      | AK69-00111-0000 | Mono-column Assembly               |
| FS-028 | XHT, XTM      | AK66-00036-0000 | Bracket Assembly: Power/Coax Input |
| FS-029 | XHT, XTM      | 0017-00101-1931 | Mounting. Bolt (6)                 |
| FS-030 | XHT, XTM      | 0017-00104-0469 | Washer(6)                          |
| FS-031 | XHT, XTM      | 0K69-01062-0000 | Dead Shaft                         |
| FS-032 | XHT, XTM      | 0017-00101-1925 | Mounting Bolt (2)                  |
| FS-033 | XHT, XTM      | 0017-00104-0469 | Washer(2)                          |
| FS-034 | XHT, XTM      | 0K69-01018-0000 | Shaft Collar                       |
| FS-035 | XHT, XTM      | 0K69-01074-0000 | Thrust Washer (4)                  |
| FS-036 | XHT, XTM      | 0017-00100-0148 | E Clip                             |
| FS-037 | XHT, XTM      | 0017-00006-0294 | Thrust Bearing (2)                 |



# Swoosh Covers and Stabilizer Assemblies



## Part Numbers

| Item   | Alpha Code(s) | Part Number     | Description                    |
|--------|---------------|-----------------|--------------------------------|
| FS-038 | XHT, XTM      | AK69-00124-0000 | Right Swoosh Cover W/ LF Bug   |
| FS-039 | XHT, XTM      | 0017-00101-1796 | Mounting Screws (3)            |
| FS-040 | XHT, XTM      | 0K66-01042-0000 | End Cap (Front and Rear)       |
| FS-041 | XHT, XTM      | AK69-00124-0001 | Left Swoosh Cover W/ LF Bug    |
| FS-042 | XHT, XTM      | 0017-00101-1796 | Mounting Screw (3)             |
| FS-043 | XHT, XTM      | 0K69-01139-0000 | Stabilizer Shroud (Front)      |
| FS-044 | XHT, XTM      | AK69-00118-0000 | Front Stabilizer               |
| FS-045 | XHT, XTM      | 0017-00104-0469 | Washer (4)                     |
| FS-046 | XHT, XTM      | 0017-00101-1931 | Front Stabilizer Mtg Bolts (4) |
| FS-047 | XHT, XTM      | AK68-00214-0003 | Leg Levelers (2)               |
| FS-048 | XHT, XTM      | 0K66-01041-0000 | Stabilizer Shroud (Rear)       |
| FS-049 | XHT, XTM      | AK69-00090-0000 | Rear Stabilizer                |
| FS-050 | XHT, XTM      | 0017-00101-1931 | Mounting. Screws (4)           |
| FS-051 | XHT, XTM      | 0017-00104-0469 | Washer (4)                     |
| FS-052 | XHT, XTM      | 0K66-01039-0000 | Transport Wheel                |
| FS-053 | XHT, XTM      | 0K66-01040-0000 | Wheel Shaft                    |

# Linkage System

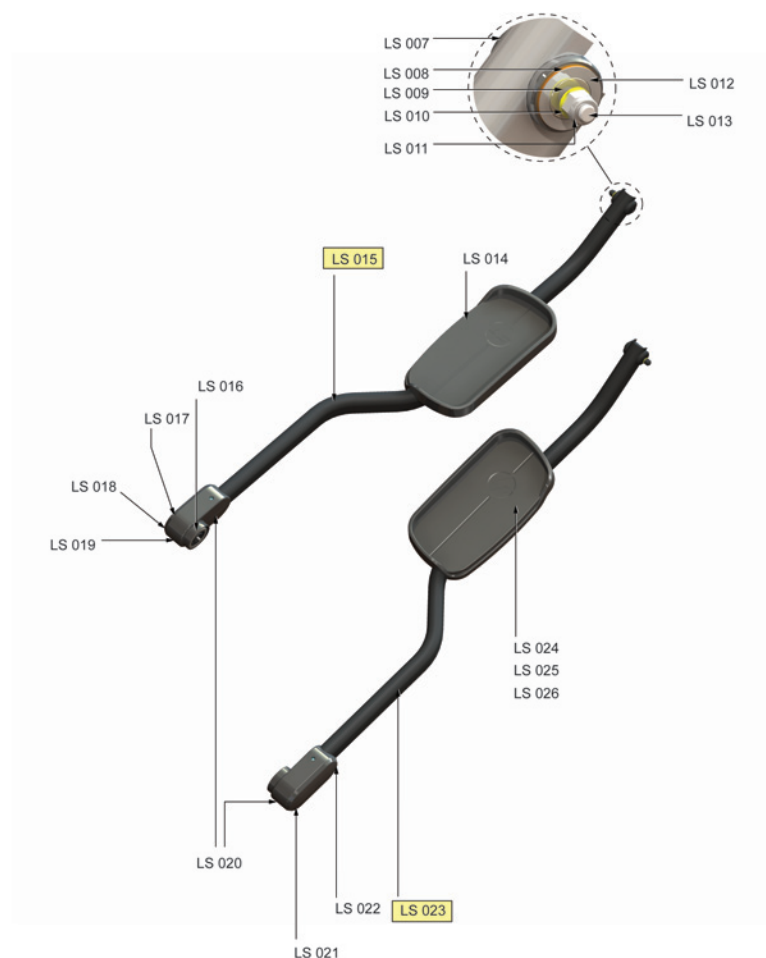
## Rocker Arms and Front Clevis Covers



### Part Numbers

| Item   | Alpha Code(s) | Part Number     | Description                 |
|--------|---------------|-----------------|-----------------------------|
| LS-001 | XHT, XTM      | AK69-00045-0000 | Rocker Arm (Right or Left)  |
| LS-002 | XHT, XTM      | 0K69-01114-0000 | Left Front Clevis Cover     |
| LS-003 | XHT, XTM      | 0K69-01116-0000 | Left Rear Clevis Cover      |
| LS-004 | XHT, XTM      | 0017-00101-1796 | Clevis Cover Mounting Screw |
| LS-005 | XHT, XTM      | 0K69-01115-0000 | Right Front Clevis Cover    |
| LS-006 | XHT, XTM      | 0K69-01117-0000 | Right Rear Clevis Cover     |

# Pedal Levers

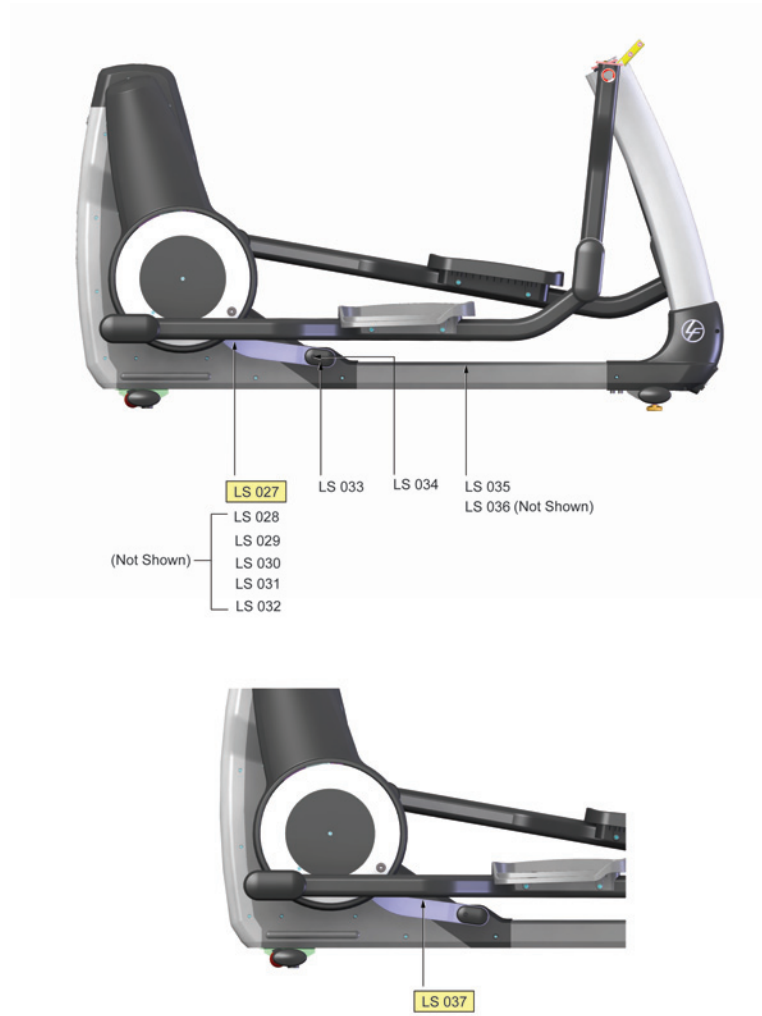


## Part Numbers

| Item   | Alpha Code(s) | Part Number     | Description                   |
|--------|---------------|-----------------|-------------------------------|
| LS-007 | XHT, XTM      | 0017-00006-0164 | Front Pedal Lever Bearing     |
| LS-008 | XHT, XTM      | 0K47-01104-0000 | Thrust Washer                 |
| LS-009 | XHT, XTM      | 0K69-01190-0000 | Steel Washer                  |
| LS-010 | XHT, XTM      | 0017-00104-0190 | Flat Washer                   |
| LS-011 | XHT, XTM      | 0017-00103-0334 | Nut                           |
| LS-012 | XHT, XTM      | 0017-00101-1955 | Hex Bolt                      |
| LS-013 | XHT, XTM      | 0K69-01075-0000 | Shaft                         |
| LS-014 | XHT, XTM      | 0K69-01099-0000 | Left Pedal                    |
| LS-015 | XHT, XTM      | AK69-00120-0000 | Left Pedal Lever Assembly     |
| LS-016 | XHT, XTM      | 0K69-01231-0000 | Rear Mounting Bolt            |
| LS-017 | XHT, XTM      | 0017-00006-0289 | Rear Pedal Lever Bearing      |
| LS-018 | XHT, XTM      | 0K69-01130-0000 | Left Top Rear Pedal Cover     |
| LS-019 | XHT, XTM      | 0K69-01131-0000 | Left Bottom Rear Pedal Cover  |
| LS-020 | XHT, XTM      | 0017-00101-1796 | Clevis Cover Mounting Screw   |
| LS-021 | XHT, XTM      | 0K69-01130-0000 | Right Bottom Rear Pedal Cover |
| LS-022 | XHT, XTM      | 0K69-01131-0000 | Right Top Rear Pedal Cover    |
| LS-023 | XHT, XTM      | AK69-00121-0000 | Right Pedal Lever Assembly    |

|        |          |                 |                           |
|--------|----------|-----------------|---------------------------|
| LS-024 | XHT, XTM | 0K69-01100-0000 | Right Pedal               |
| LS-025 | XHT, XTM | 0017-00101-1929 | Pedal Mounting Screws (4) |
| LS-026 | XHT, XTM | 0017-00104-0469 | Washer (4)                |

## Frame Cover and Rocking Links



## Part Numbers

| Item   | Alpha Code(s) | Part Number     | Description                       |
|--------|---------------|-----------------|-----------------------------------|
| LS-027 | XHT, XTM      | AK69-00113-0000 | Lower Left Rocking Link Assembly. |
| LS-028 | XHT, XTM      | 0017-00101-1904 | Front Rocking Link Screw          |
| LS-029 | XHT, XTM      | 0017-00104-0409 | Washer                            |
| LS-030 | XHT, XTM      | 0K69-01079-0000 | Front Spacer                      |
| LS-031 | XHT, XTM      | 0017-00101-2023 | Rear Rocking Link Screw           |
| LS-032 | XHT, XTM      | 0K69-01178-0000 | Rear Spacer                       |
| LS-033 | XHT, XTM      | 0K69-01119-0000 | Right and Left Rocking Link Cover |
| LS-034 | XHT, XTM      | 0017-00101-1940 | Link Cover Screw                  |
| LS-035 | XHT, XTM      | 0K69-01132-0000 | Main Frame Cover                  |
| LS-036 | XHT, XTM      | 0017-00101-1986 | Mtg. Screw (2)                    |
| LS-037 | XHT, XTM      | AK69-00112-0000 | Lower Right Rocking Link Assy.    |

# Timing System

## Rocker Assembly Cover



### Part Numbers

| Item   | Alpha Code(s) | Part Number     | Description                                |
|--------|---------------|-----------------|--|
| TS-001 | XHT, XTM      | 0K69-01108-0000 | Upper Rocker Cover (Left & Right)          |
| TS-002 | XHT, XTM      | 0017-00101-1796 | Upper Rocker Cover Mtg. Screw (5)          |
| TS-003 | XHT, XTM      | 0K69-01109-0000 | Lower Rocker Cover Mounting Screws (6)     |
| TS-004 | XHT, XTM      | 0017-00101-1796 | Lower Rocker Cover Mtg. Screw (6)          |
| TS-005 | XHT, XTM      | AK69-00096-0000 | Outside Crank Cover w/decal (Left & Right) |
| TS-006 | XHT, XTM      | 0017-00101-1988 | Outside Crank Cover Mounting Screws (2)    |

# Rocker Assembly Components



## Part Numbers

| Item   | Alpha Code(s) | Part Number     | Description                              |
|--------|---------------|-----------------|--|
| TS-007 | XHT, XTM      | 0K69-01041-0002 | Timing Belt                              |
| TS-008 | XHT, XTM      | 0017-00103-0338 | Hex Nut                                  |
| TS-009 | XHT, XTM      | AK69-00029-0001 | Right Idler Bracket Assembly             |
| TS-010 | XHT, XTM      | AK69-00029-0000 | Left Idler Bracket Assembly              |
| TS-011 | XHT, XTM      | 0017-00101-1951 | Idler Bracket Mounting Screws (2)        |
| TS-012 | XHT, XTM      | 0017-00104-0334 | Washers (2)                              |
| TS-013 | XHT, XTM      | 0017-00101-2002 | Tension Bolt on left side only           |
| TS-014 | XHT, XTM      | 0K69-01174-0000 | Tension Pivot Bracket on left side only  |
| TS-015 | XHT, XTM      | GK69-00002-0003 | Right- Rocker Casting w/Pulleys          |
| TS-016 | XHT, XTM      | GK69-00002-0004 | Left- Rocker Casting w/Pulleys           |
| TS-017 | XHT, XTM      | AK69-00123-0000 | Inner Rocker Shroud Assembly             |
| TS-018 | XHT, XTM      | 0017-00101-1953 | Inner Rocker Shroud Mounting Screws (12) |
| TS-019 | XHT, XTM      | 0017-00104-0488 | Washers (12)                             |
| TS-020 | XHT, XTM      | 0K69-01227-0000 | Crank Arm                                |
| TS-021 | XHT, XTM      | 0017-00101-1905 | Crank Arm Mounting. Bolt                 |
| TS-022 | XHT, XTM      | 0017-00103-0333 | Hex Nut                                  |
| TS-023 | XHT, XTM      | 0K69-01023-0000 | Hex Key                                  |