

Ceiling mount bracket for low ceilings

Description

This ceiling mount bracket is to be used when mounting home cinema projectors to the ceiling.

Specifications	Vertical correction angle:	+5°, -15°
	Horizontal slant correction angle:	±10°
	Horizontal turn correction angle:	±5°
	Dimensions (W x H x D):	468 x 200 x 191 mm (18-7/16" x 7-7/8" x 7-17/32")
	Weight:	1.9 kg (4.2 lbs)

Weights and dimensions shown are approximate. Specifications subject to change without notice.

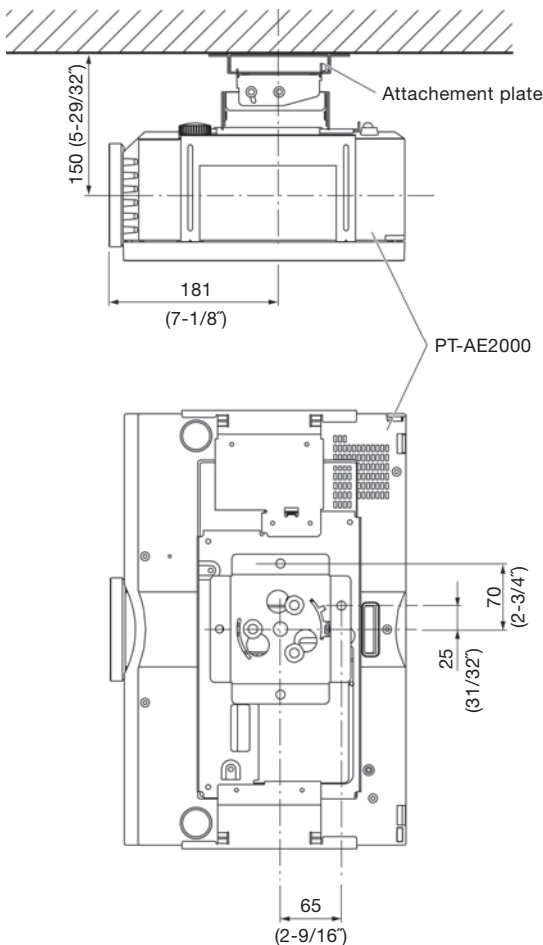
Parts	Attachment plate	1	Washer-fitted screws (M4 x 8)	10
	Projector mount bracket	1	Wire rope	1
	Safety fitting A	1	Flat wire clip	2
	Safety fitting B	1	Clamp tube	2
	Safety fitting C	1		

Caution:

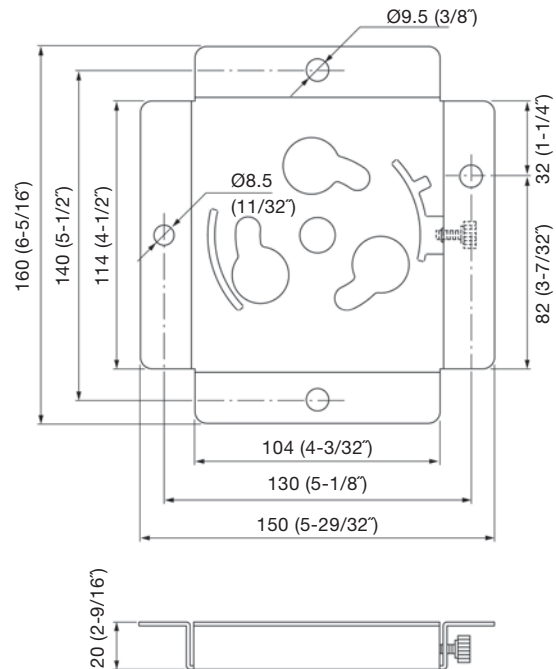
- All mounting work must be done by a qualified technician.
- Ensure that the mounting (ceiling) area has sufficient strength.
- Read the enclosed mounting instructions carefully before starting the mounting procedure.
- When the system is no longer to be used, have a qualified technician promptly remove and dispose of it.
- Do not use a power screwdriver or impact screwdriver to tighten screws. A torque screwdriver or similar tool should be used.

Dimensions

Illustration shows the ET-PKE1000S attached to the PT-AE2000.



Attachment plate



unit : mm (inch)

NOTE: This illustration is not drawn to scale.