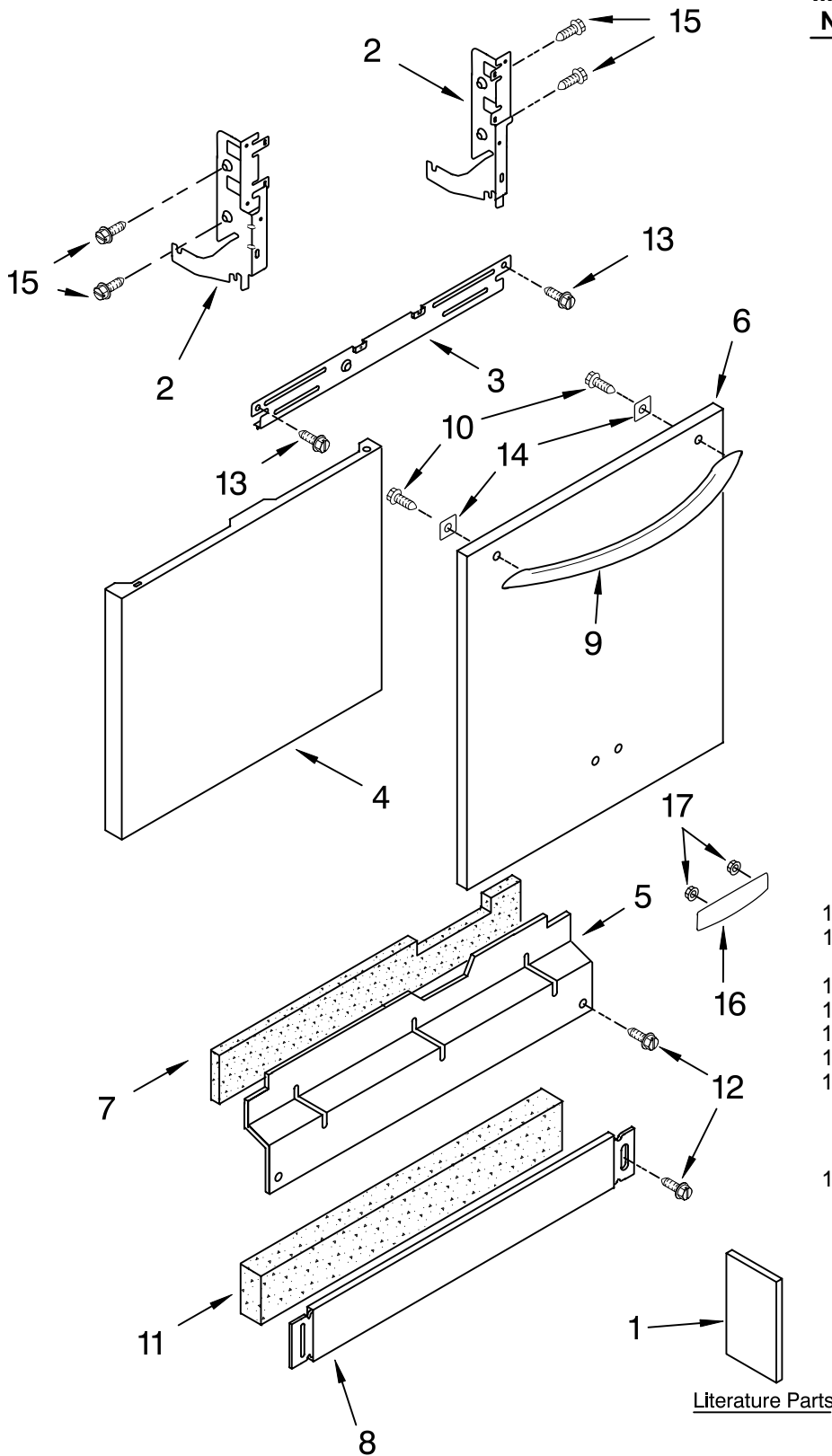


# KitchenAid® DOOR AND PANEL PARTS

UNDERCOUNTER  
DISHWASHER

For Models: KUDS01FLBL1, KUDS01FLWH1, KUDS01FLBT1, KUDS01FLSS1  
(Black) (White) (Biscuit) (Stainless)

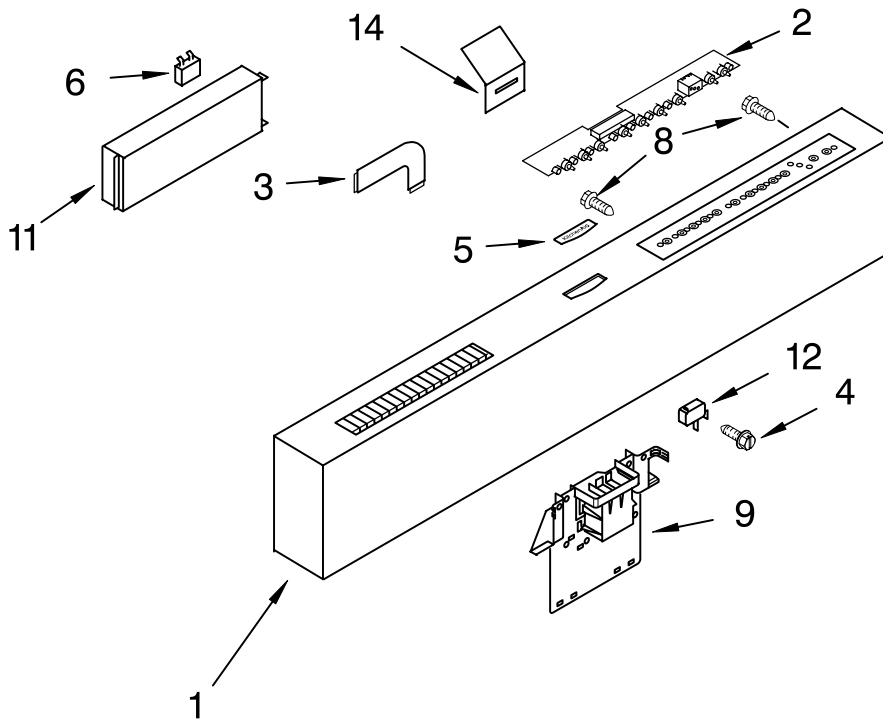


Illus. No.	Part No.	DESCRIPTION
1	LIT8524480	Literature Parts Instructions, Installation
	LIT8531624	Energy Guide
	LIT8531535	Guide, Use & Care Tech Sheet
	LIT8537797	English/French Arm, Hinge
2	8534854	Left
	8534853	Right
3	8268983	Stiffener, Door
4	8524576	Panel Front
5		Access Panel (Includes Item 7)
	8269007	Black
	8269008	White
	8269009	Biscuit
6		Panel, Full Front
	8531226	Black
	8531227	White
	8531228	Biscuit
	8531225	Stainless
7	8268584	Insulation, Access Panel
8		Toe Panel (Includes Item 11)
	8270026	Black
	8270027	White
	8270028	Biscuit
9		Handle
	8524407	Black
	8524408	White
	8524409	Biscuit
	9744438	Stainless
10	3400067	Screw
11	8268581	Insulation, Toe Panel
12	302868	Screw
13	304392	Screw
14	9744437	Plate, Backing
15	3400071	Screw (2)
16		Nameplate
	2005292	Black
	2209118W	White
	2209118T	Biscuit
17	2004333	Nut

FOR ORDERING INFORMATION REFER TO PARTS PRICE LIST

# CONTROL PANEL PARTS

For Models: KUDS01FLBL1, KUDS01FLWH1, KUDS01FLBT1, KUDS01FLSS1  
 (Black) (White) (Biscuit) (Stainless)

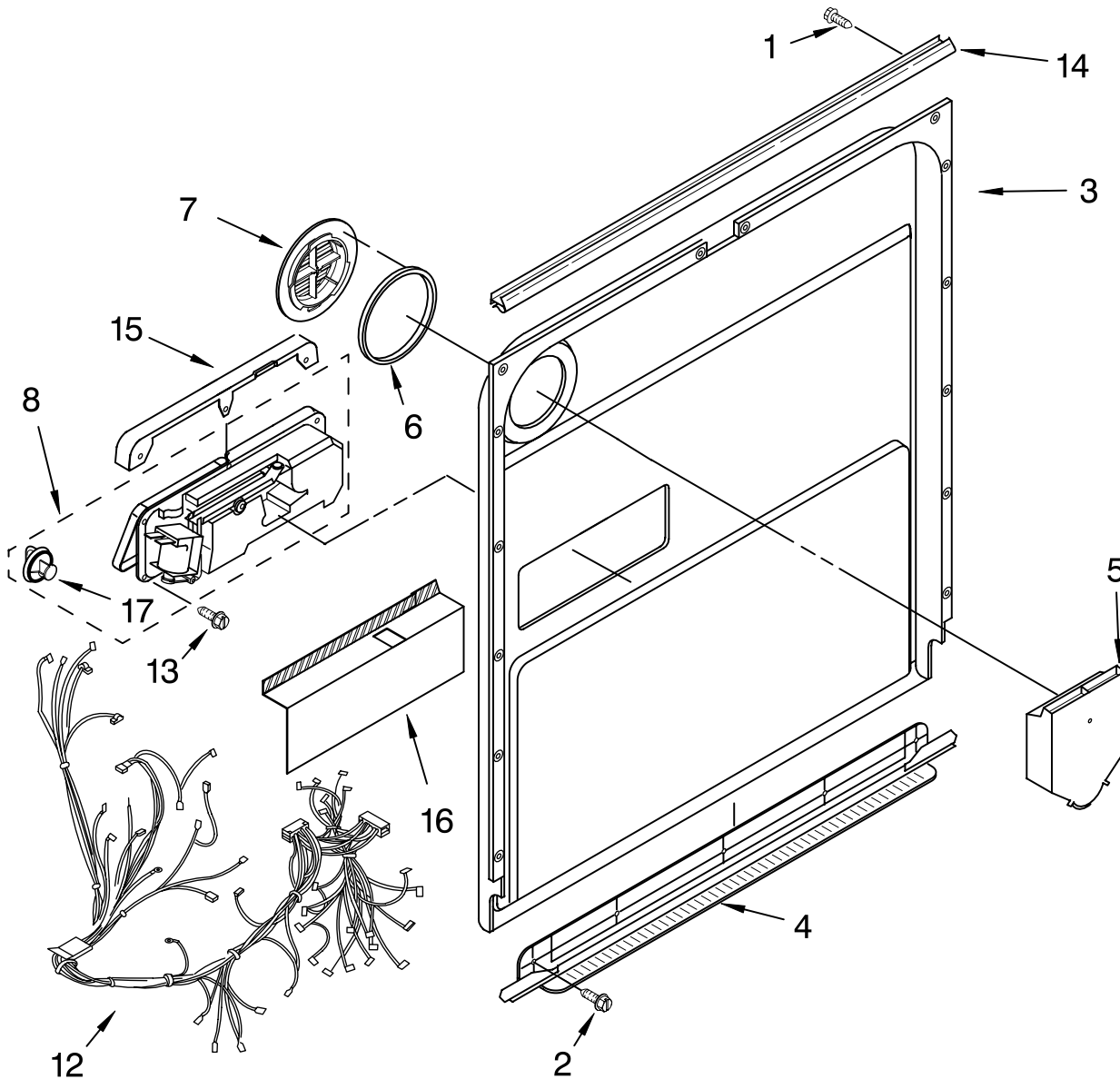


Illus. No.	Part No.	DESCRIPTION
1	8531538	Console Assembly (Includes Insert & Medallion)
2	8270168	User Interface
3	8524447	Ribbon, Cable
4	3400412	Screw
5	8524425	Medallion
6	8269213	Fuse, Thermal Electronic
8	3369051	Screw (6)
9	8270175	Latch Assembly
11	8534866	Control, Electronic
12	8269209	Switch, Door
14	8524547	Shield

FOR ORDERING INFORMATION REFER TO PARTS PRICE LIST

# DOOR AND LATCH PARTS

For Models: KUDS01FLBL1, KUDS01FLWH1, KUDS01FLBT1, KUDS01FLSS1  
 (Black) (White) (Biscuit) (Stainless)



Illus. No.	Part No.	DESCRIPTION
1	3369051	Screw, Door
2	8281217	Screw
3	8530900	Inner Door Mastic Assembly (Also Order Item 6)
4	8268937	Inlet, Air
5	8270151	Vent Assembly

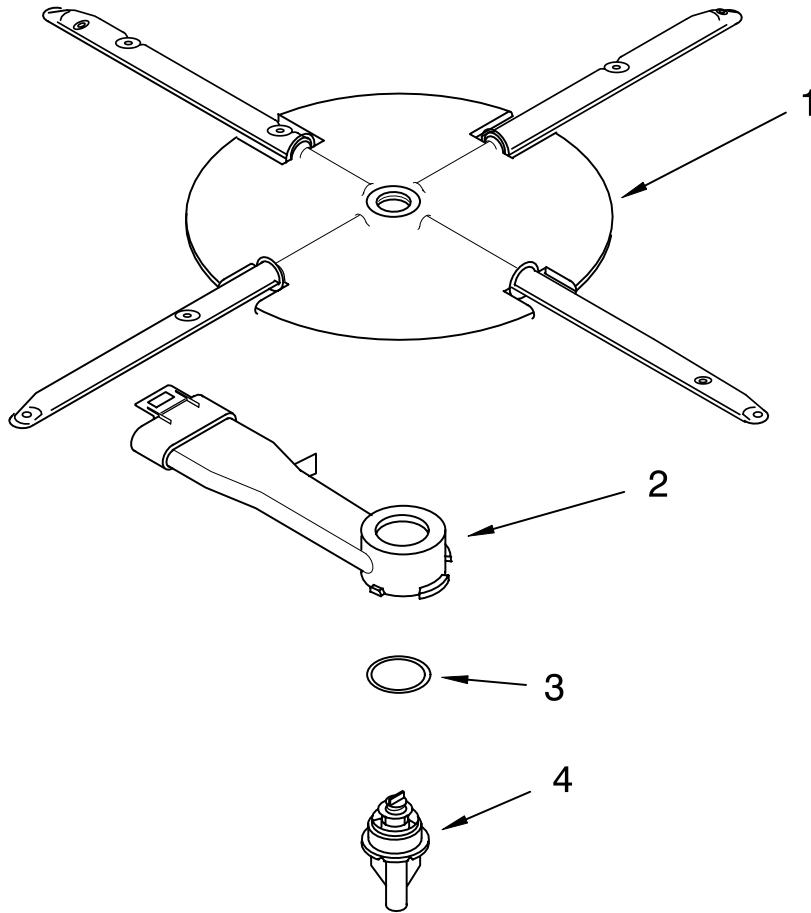
Illus. No.	Part No.	DESCRIPTION
6	8269259	Gasket, Vent
7	8269260	Deflector, Vent (Also Order Item 6)
8	8269996	Dispenser, Assembly
12	8534932	Wiring Harness & Protector
13	8281154	Screw (6)

Illus. No.	Part No.	DESCRIPTION
14	8269143	Seal, Console/door
15	8269743	Bracket, Dispenser
16	8268541	Shield, Dispenser
17	8533380	Cap, Rinse Aid

FOR ORDERING INFORMATION REFER TO PARTS PRICE LIST

# LOWER WASHARM AND STRAINER PARTS

For Models: KUDS01FLBL1, KUDS01FLWH1, KUDS01FLBT1, KUDS01FLSS1  
(Black) (White) (Biscuit) (Stainless)

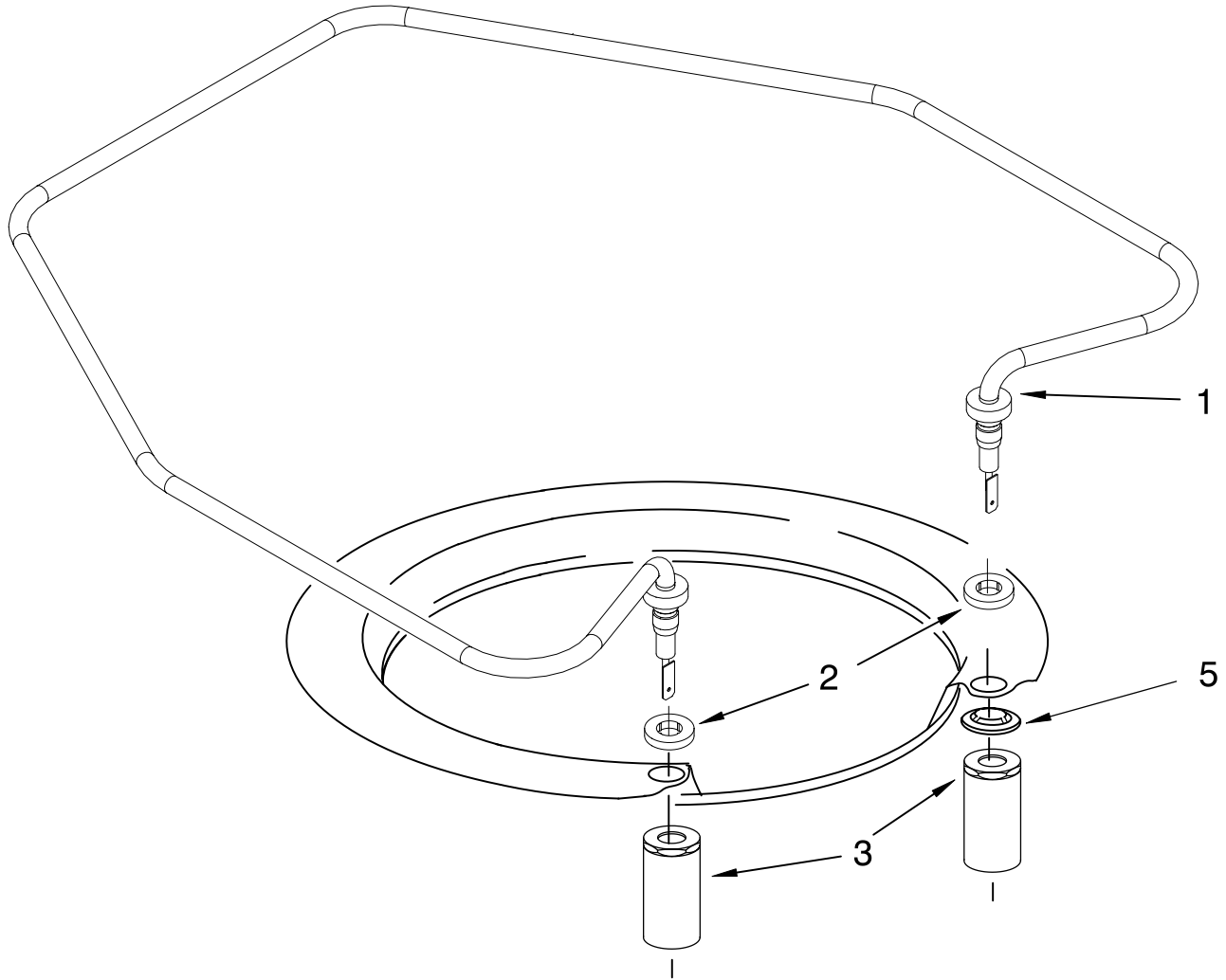


Illus. No.	Part No.	DESCRIPTION
1	8268300	Wash Arm Assembly
2	8268343	Cap, Internal Rear Feed
3	8268340	Seal, Sprayarm
4	8268342	Hub, Lower Sprayarm

FOR ORDERING INFORMATION REFER TO PARTS PRICE LIST

# HEATER PARTS

For Models: KUDS01FLBL1, KUDS01FLWH1, KUDS01FLBT1, KUDS01FLSS1  
 (Black) (White) (Biscuit) (Stainless)



Illus. No.	Part No.	DESCRIPTION
------------	----------	-------------

- |   |         |   |
|---|---------|---|
| 1 | 8194200 | Heater Element Assembly (Also Includes Item 2 and Electronic Control) |
| 2 | 717273  | Washer, Heater Element  |
| 3 | 8268548 | Nut, Heater Element   |
| 5 | 3400931 | Retainer, Spring Grip   |

**NOTE:** If heater element is removed, it must be replaced.

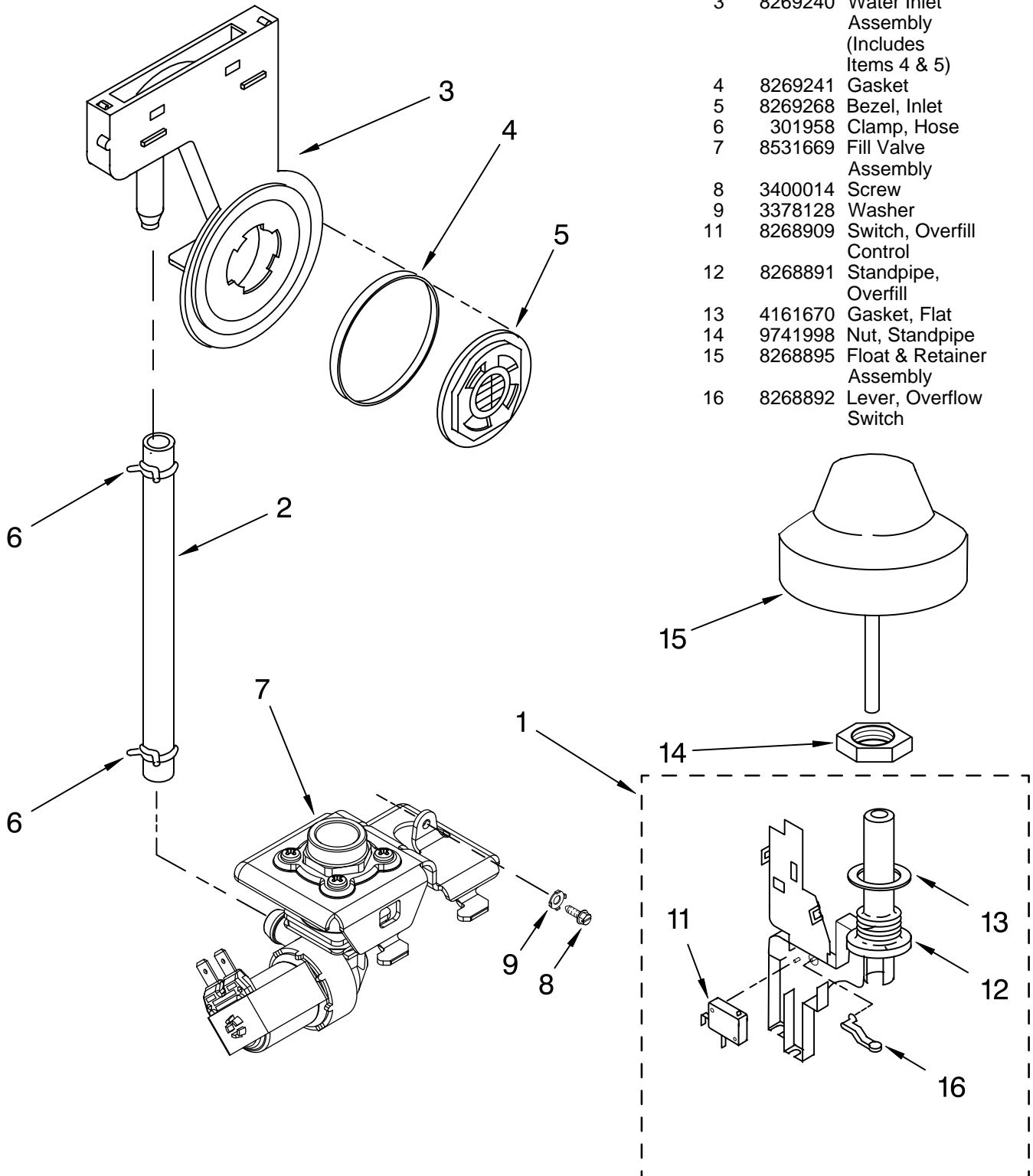
FOR ORDERING INFORMATION REFER TO PARTS PRICE LIST

# FILL AND OVERFILL PARTS

For Models: KUDS01FLBL1, KUDS01FLWH1, KUDS01FLBT1, KUDS01FLSS1  
 (Black) (White) (Biscuit) (Stainless)

Illus. No.	Part No.	DESCRIPTION
------------	----------	-------------

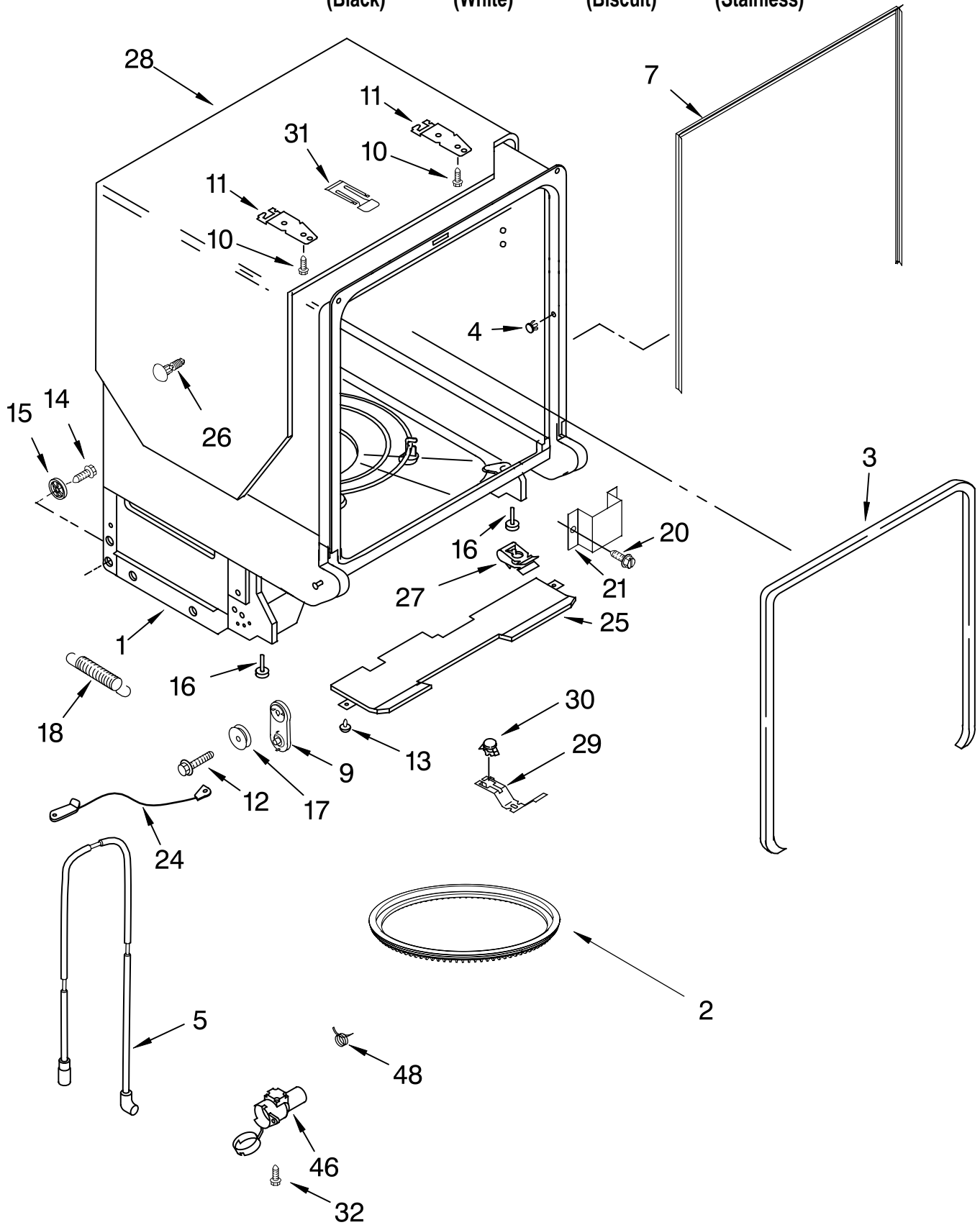
- |    |         |   |
|----|---------|---|
| 1  | 8268889 | Control, Overfill Assembly                  |
| 2  | 8269242 | Hose, Inlet                                 |
| 3  | 8269240 | Water Inlet Assembly (Includes Items 4 & 5) |
| 4  | 8269241 | Gasket                                      |
| 5  | 8269268 | Bezel, Inlet                                |
| 6  | 301958  | Clamp, Hose                                 |
| 7  | 8531669 | Fill Valve Assembly                         |
| 8  | 3400014 | Screw                                       |
| 9  | 3378128 | Washer                                      |
| 11 | 8268909 | Switch, Overfill Control                    |
| 12 | 8268891 | Standpipe, Overfill                         |
| 13 | 4161670 | Gasket, Flat                                |
| 14 | 9741998 | Nut, Standpipe                              |
| 15 | 8268895 | Float & Retainer Assembly                   |
| 16 | 8268892 | Lever, Overflow Switch                      |



FOR ORDERING INFORMATION REFER TO PARTS PRICE LIST

# TUB AND FRAME PARTS

For Models: KUDS01FLBL1, KUDS01FLWH1, KUDS01FLBT1, KUDS01FLSS1  
(Black) (White) (Biscuit) (Stainless)



FOR ORDERING INFORMATION REFER TO PARTS PRICE LIST

# TUB AND FRAME PARTS

For Models: KUDS01FLBL1, KUDS01FLWH1, KUDS01FLBT1, KUDS01FLSS1  
 (Black) (White) (Biscuit) (Stainless)

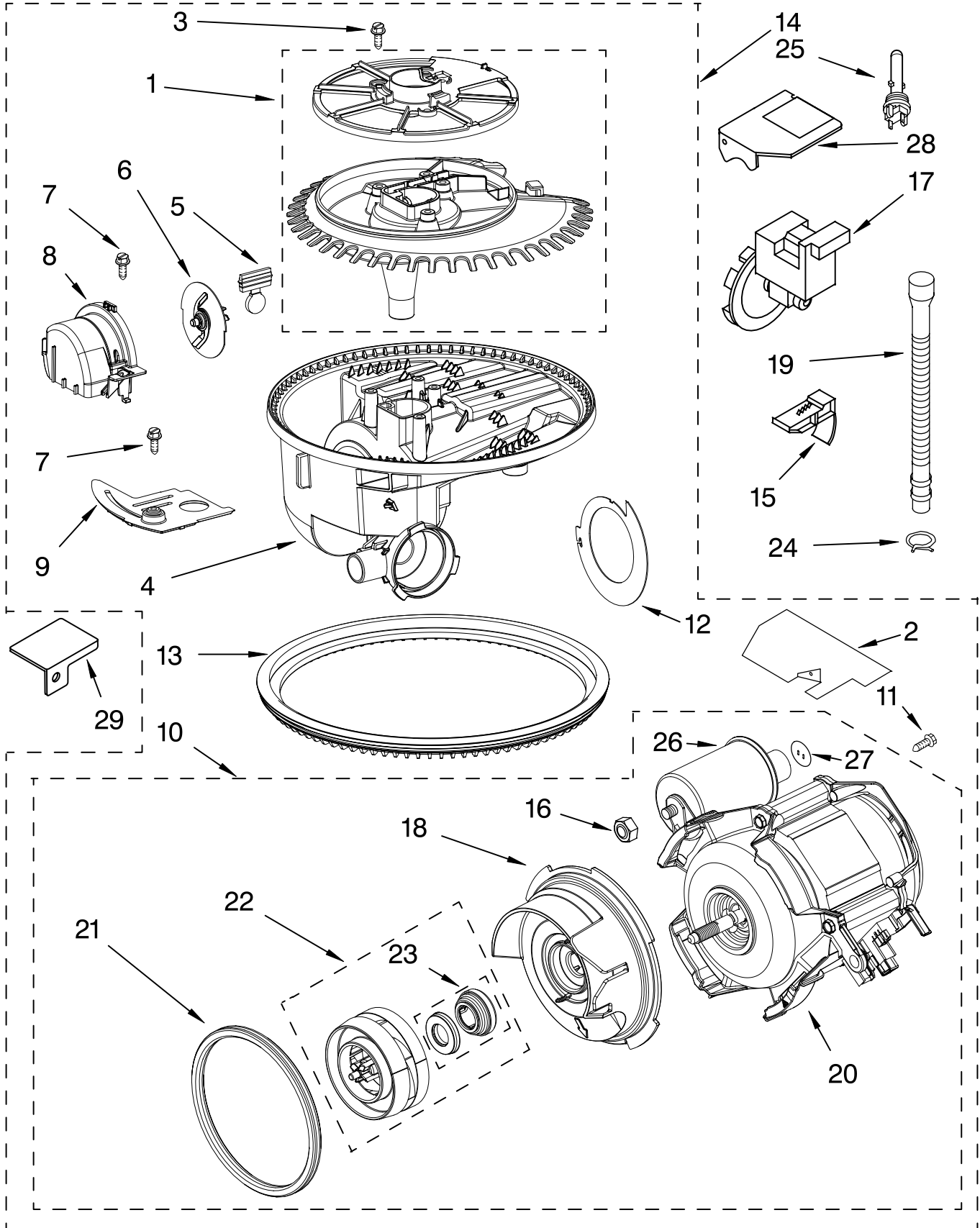
Illus. No.	Part No.	DESCRIPTION
1	8524618	Tub Assembly (Also Order Item 2)
2	8268395	Seal, Sump
3	8268938	Door Seal
4	8270119	Plug Tub (2)
5	8531022	Drain Loop With Check Valve
7	8269110	Seal, Cabinet
9	8270021	Mount, Door Balance
10	3367670	Screw
11	8269145	Bracket, Undercounter
12	3400074	Screw (2)
13	3400924	Retainer, Push-in
14	3370389	Screw (2)
15	8268977	Wheel Leg
16	8524584	Leveler, Leg
17	8524474	Wheel, door Balance
18	8270182	Spring, Door Balance
20	3400892	Screw
21	8268991	Cover, Terminal Box
24	8270022	Link, Door Balance
25	8268582	Insulator, Sound
26	304666	Retainer, Push (2)
27	8269016	Clip, Grounding
28	8531401	Shield, Sound Tub
29	9742648	Bracket, Thermostat
30	661566	Thermostat
31	8269426	Strike, Latch
32	9741232	Screw
46	8268477	Switch, Pressure
48	356138	Clamp, Hose (1)

FOR ORDERING INFORMATION REFER TO PARTS PRICE LIST



# PUMP AND MOTOR PARTS

For Models: KUDS01FLBL1, KUDS01FLWH1, KUDS01FLBT1, KUDS01FLSS1  
 (Black) (White) (Biscuit) (Stainless)



FOR ORDERING INFORMATION REFER TO PARTS PRICE LIST

# PUMP AND MOTOR PARTS

For Models: KUDS01FLBL1, KUDS01FLWH1, KUDS01FLBT1, KUDS01FLSS1  
 (Black) (White) (Biscuit) (Stainless)

Illus. No.	Part No.	DESCRIPTION
1	8268429	Accumulator Assy
2	8268529	Shield, Motor
3	3400069	Screw
4	8268382	Sump
5	8268375	Check Valve, Sump
6	8268383	Chopper Assembly
7	9741232	Screw
8	8268390	Protector, Inlet
9	8268427	Protector, Foreign
10	8268407	Motor Assembly
11	3400217	Screw
12	8268391	Screen, Separation
13	8268395	Seal, Sump
14	8268422	Sump & Motor Assembly (Includes Item 15)
15	8269524	Tab, Sump
16	3400921	Nut
17	661658	Pump, Drain
18	8268405	Volute, Back (Also Order Item 23)
19	8269144	Hose, Drain
20	8268408	Motor
21	8268397	Seal, Volute
22	8268398	Impeller Kit
23	8268403	Face Seal Assembly
24	356138	Clamp, Hose
25	8269208	Thermister
26	8269507	Capacitor
27	8269512	Shield, Capacitor
28	8269449	Shield, Drain Pump
29	8269501	Shield, Pressure Switch

# UPPER RACK AND TRACK PARTS

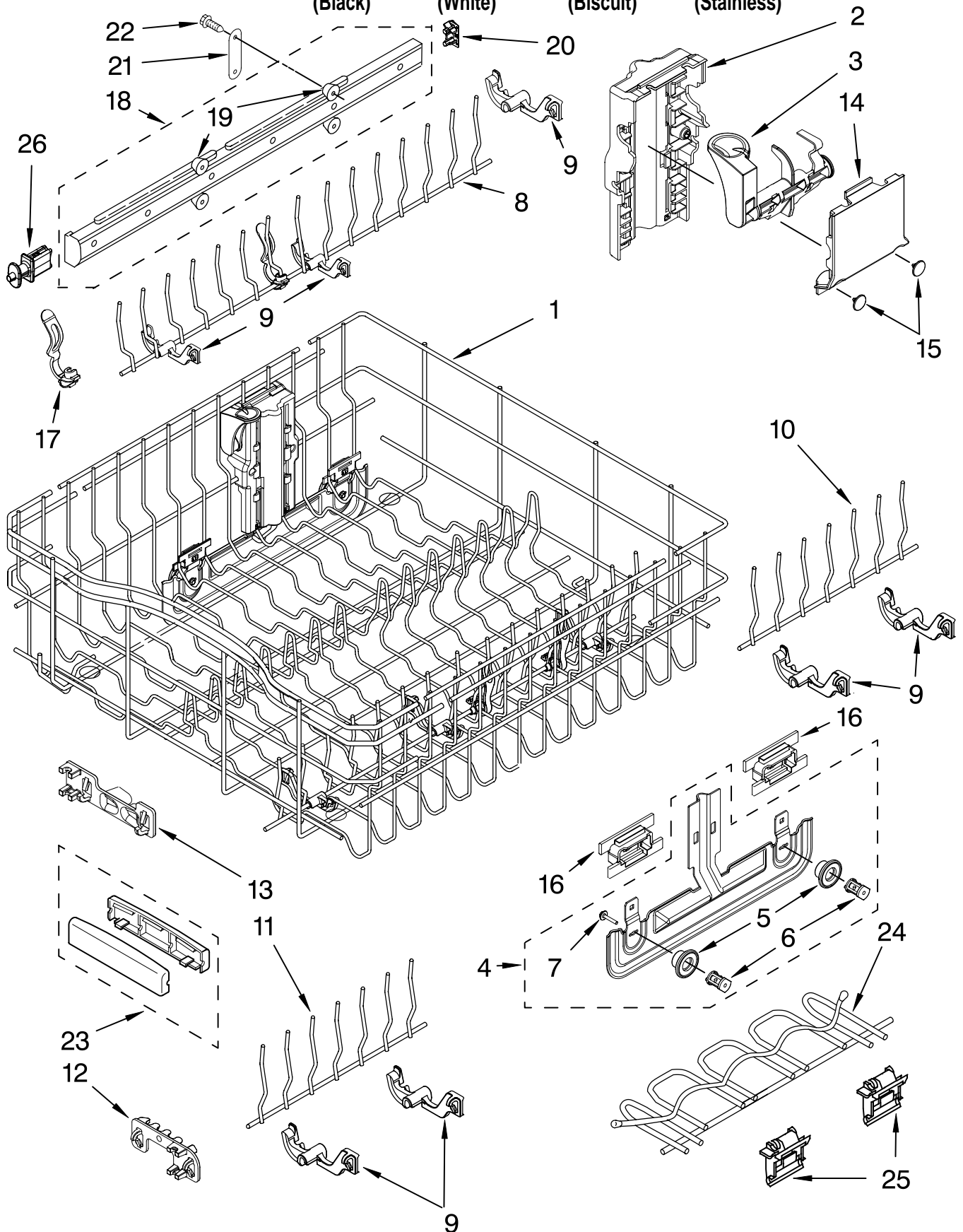
For Models: KUDS01FLBL1, KUDS01FLWH1, KUDS01FLBT1, KUDS01FLSS1

(Black)

(White)

(Biscuit)

(Stainless)



FOR ORDERING INFORMATION REFER TO PARTS PRICE LIST

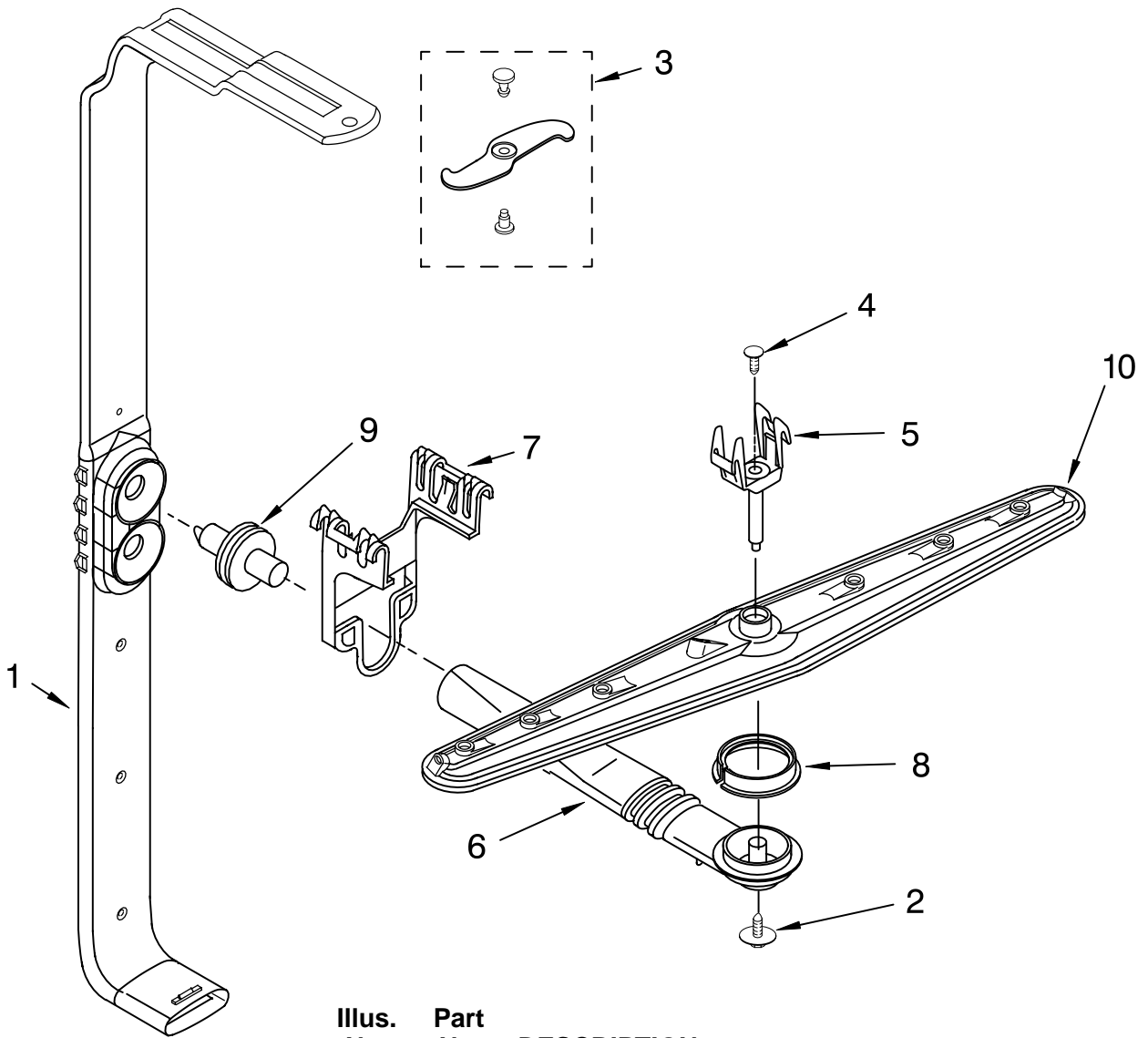
# UPPER RACK AND TRACK PARTS

For Models: KUDS01FLBL1, KUDS01FLWH1, KUDS01FLBT1, KUDS01FLSS1  
 (Black) (White) (Biscuit) (Stainless)

Illus. No.	Part No.	DESCRIPTION
1	8519627	Dishrack, Upper
2	8531344	Housing, Adjuster
3		Actuator, Adjuster
	8531310	Right Hand
	8531309	Left Hand
4	8268653	Adjuster Assembly
5	8270138	Wheel
6	8268703	Axel, Adjuster
7	8281156	Screw
8	8519683	Tine Row
9	8519669	Clip, Pivot
10	8519684	Tine Row, Rear
11	8519685	Tine Row, Front
12	8531311	Positioner, Dual
13	8531312	Positioner, Multi
14	8531346	Cover, Adjuster
15	9741232	Retainer
16	8268738	Positioner, Arm
17	8531313	Clip, No-Flip
18	8531630	Track, Assembly (Also Order Item 21)
19	8270137	Mount, Track (Also Order Item 21)
20	8270136	Stop, Track
21	9743002	Gasket, Bracket Mounting
22	3400072	Screw (8)
23	8519699	Handle, Dishrack
24	8268804	Cupshelf
25	8270025	Clip, Cupshelf
26	8531301	Stop, Track Removable

# UPPER WASH AND RINSE PARTS

For Models: KUDS01FLBL1, KUDS01FLWH1, KUDS01FLBT1, KUDS01FLSS1  
 (Black) (White) (Biscuit) (Stainless)

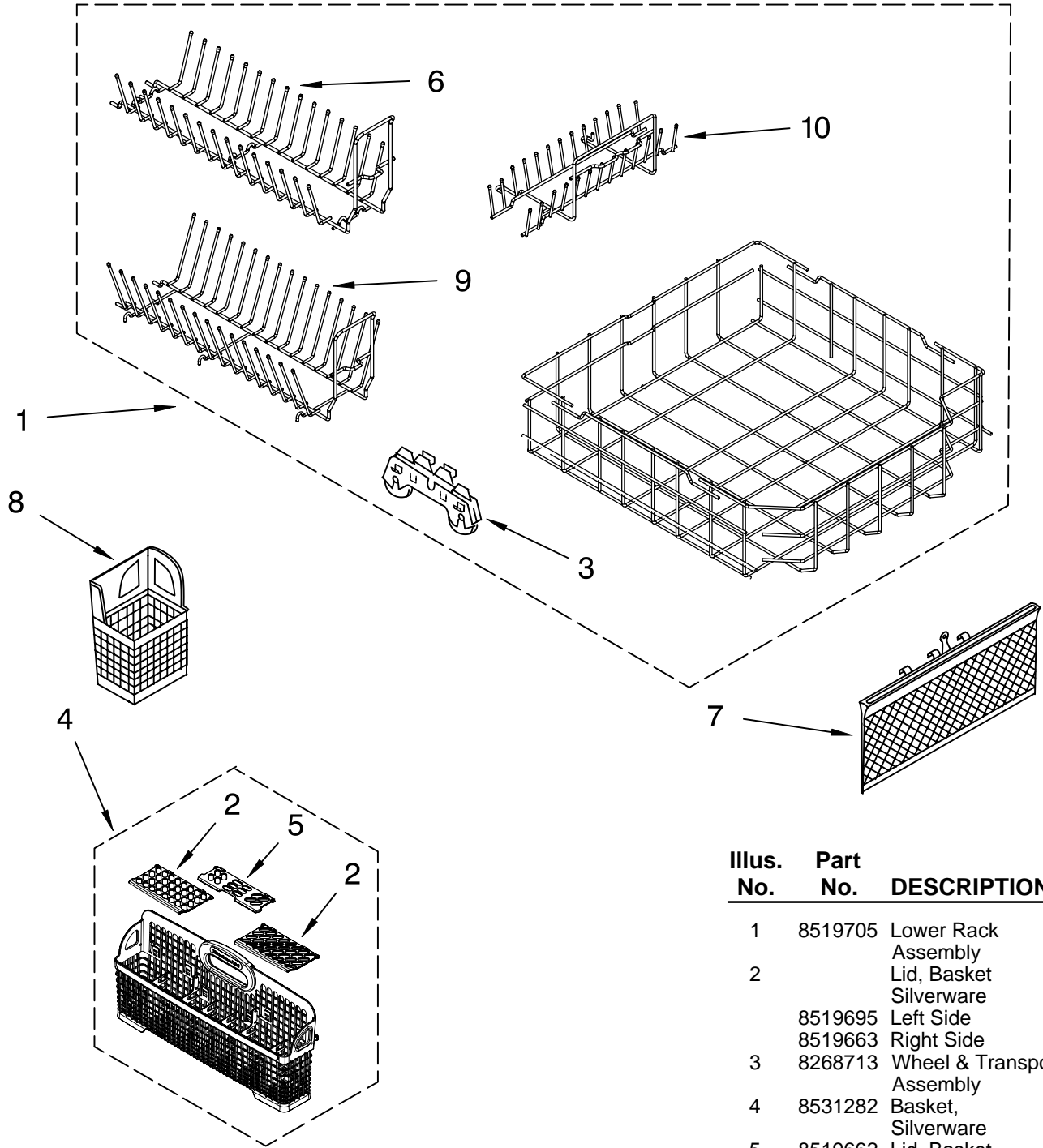


Illus. No.	Part No.	DESCRIPTION
1	8268359	Feed Tube Assembly (Also Includes Item 3)
2	8533889	Screw
3	8538389	Sprayarm, 3rd Level
4	3400920	Cover, Screw
5	8268354	Mount
6	8268356	Manifold
7	8268349	Hanger
8	8268433	Seal, Sprayarm
9	8268350	Probe, Manifold
10	8269023	Sprayarm

FOR ORDERING INFORMATION REFER TO PARTS PRICE LIST

# LOWER RACK PARTS

For Models: KUDS01FLBL1, KUDS01FLWH1, KUDS01FLBT1, KUDS01FLSS1  
 (Black) (White) (Biscuit) (Stainless)

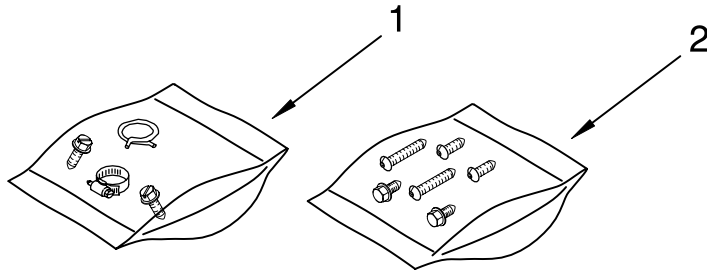


Illus. No.	Part No.	DESCRIPTION
1	8519705	Lower Rack Assembly
2		Lid, Basket Silverware
	8519695	Left Side
	8519663	Right Side
3	8268713	Wheel & Transport Assembly
4	8531282	Basket, Silverware
5	8519662	Lid, Basket Center
6	8519706	Insert, Large
7	8519716	Basket—Small Items
8	8519702	Basket, Utensil
9	8519707	Insert, Medium
10	8519717	Insert, Small

FOR ORDERING INFORMATION REFER TO PARTS PRICE LIST

# MISCELLANEOUS PARTS

For Models: KUDS01FLBL1, KUDS01FLWH1, KUDS01FLBT1, KUDS01FLSS1  
 (Black) (White) (Biscuit) (Stainless)



Illus. No.	Part No.	DESCRIPTION
1	8269297	Miscellaneous Parts Bag (Includes 2 Screws & 2 Hose Clamps)
2	8524464	Screws, Bag Door Assembly (Includes) 2 Screws8-18x1.500 2 Screws8-32x1.375

## OPTIONAL PARTS (NOT INCLUDED)

Illus. No.	Part No.	DESCRIPTION
<b><u>PAINT, TOUCH-UP (1/2oz.)</u></b>		
	72017	White
	72107	Almond
	72032	Black
	4392899	Biscuit
	4396397	Cobalt Blue
	4396398	Hunter Green
	4396399	Empire Red
	4396400	Majestic Yellow
<b><u>PAINT, PRESSURIZED SPRAY (12 oz.)</u></b>		
	350930	White
	350956	Almond
	285006	Superior Black
	4392901	Biscuit

Illus. No.	Part No.	DESCRIPTION
<b><u>PAINT, BULK (1 qt.)</u></b>		
	799344	White (Uncut)
	978883	Almond (Uncut)
	4392900	Biscuit
<b><u>POWER CORD KIT</u></b>		
	4317824	Power Cord Kit (Includes Power Cord & Misc. Hardware)
<b><u>ANTI-TIP KIT</u></b>		
	8171477	Floor Mount Kit

Illus. No.	Part No.	DESCRIPTION
<b><u>ACCESSORIES</u></b>		
<b>SIDE PANEL KITS</b>		
	8171656	White
	8171657	Black
	8171658	Biscuit
	8171659	Stainless Steel
<b>Color Panel Kits</b>		
	4396182	Black
	4396183	White
	4396184	Biscuit
	4396179	Cobalt Blue
	4396178	Hunter Green
	4396180	Empire Red
	4396181	Majestic Yellow

FOR ORDERING INFORMATION REFER TO PARTS PRICE LIST