

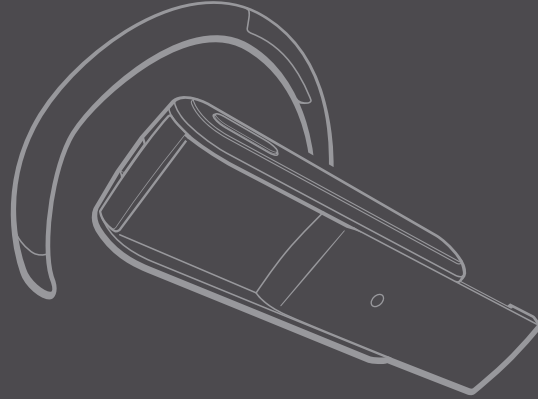
© 2006 Jabra, GN Mobile A/S (GN Netcom A/S). All rights reserved. Jabra® is a registered trademark of GN Mobile A/S (GN Netcom A/S). All other trademarks included herein are the property of their respective owners. The Bluetooth® word mark and logos are owned by the Bluetooth SIG, Inc. and any use of such marks by GN Mobile A/S (GN Netcom A/S) is under license.
(Design and specifications subject to change without notice)



Jabra BT 5010

www.jabra.com

Made in China



TOLL FREE Customer Contact Details:

Phone Numbers:

Belgique/Belgie	00800 722 52272
Danmark	702 52272
Deutschland	0800 1826756
Die Schweiz	00800 722 52272
España	900 984572
France	0800 900325
Italia	800 786532
Luxembourg	00800 722 52272
Nederland	0800 0223039
Norge	800 61272
Österreich	00800 722 52272
Portugal	00800 722 52272
Suomi	00800 722 52272
Sverige	020792522
United Kingdom	0800 0327026
International	00800 722 52272

Email Addresses:

Deutsch	support.de@jabra.com
English	support.uk@jabra.com
Français	support.fr@jabra.com
Italiano	support.it@jabra.com
Nederlands	support.nl@jabra.com
Español	support.es@jabra.com
Scandinavian	support.no@jabra.com

RELEASE YOUR JABRA

Jabra

Bluetooth headset

User manual

Jabra

www.jabra.com

Fig 1

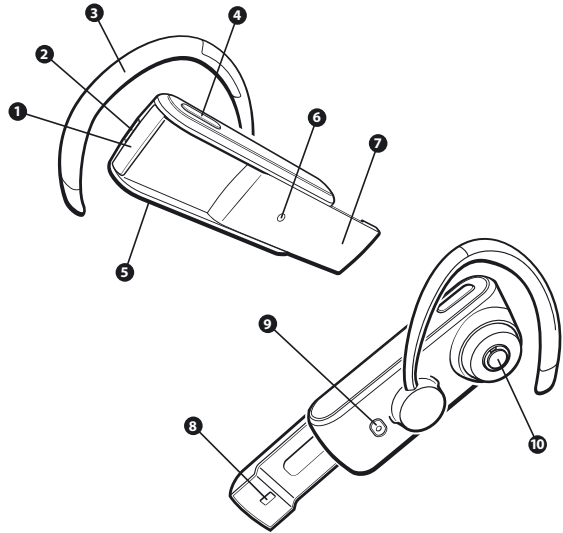


Fig 2

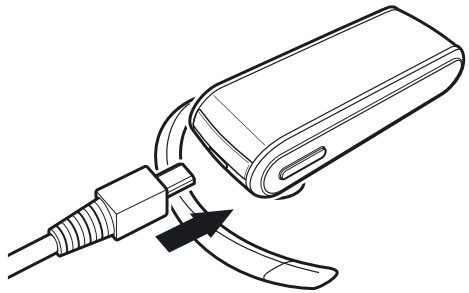


Fig 3



Fig 4

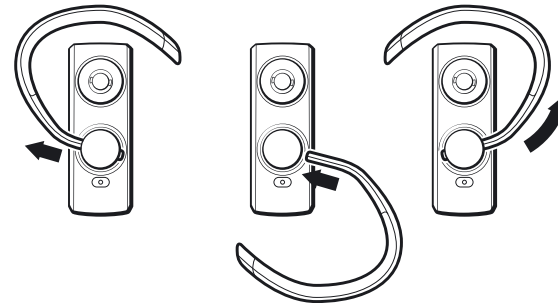
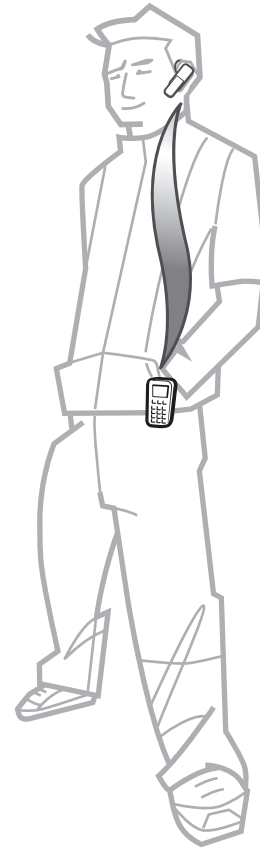


Fig 5



Jabra
BT 5010

English	GB
Français	F
Español	ES
Português	PT
Deutsch	DE
Italiano	IT
Nederlands	NL
Suomi	SU
Norsk	NO
Svenska	SE
Dansk	DK
Ελληνικά	GR

RELEASE YOUR JABRA

GB

F

ES

PT

DE

IT

NL

SU

NO

SE

DK

GR

English

GB

Thank you	4	F
About your Jabra BT5010.....	4	ES
What your new headset can do.....	5	PT
GETTING STARTED	5	DE
1. Charge your headset	6	IT
2. Turning your headset on and off.....	6	NL
3. Pair it with your phone	6	SU
4. Wear it how you like it.....	7	NO
5. The sliding boom arm	7	SE
6. How to.....	7	DK
7. Battery Indicator	8	GR
8. What the lights mean	9	
9. Using a Jabra Bluetooth adapter	9	
10. Troubleshooting & FAQ	10	
11. Need more help?.....	10	
12. Taking care of your headset	10	
13. Warranty.....	11	
14. Certification and safety approvals.....	12	
15. Glossary	12	

GB Thank you

F Thank you for purchasing the Jabra BT5010 Bluetooth headset. We hope you enjoy it! This instruction manual will get you started and ready to make the most of your headset.

ES

Remember, driving comes first, not the call!

PT

DE Using a mobile phone while driving can distract you and increase the likelihood of an accident. If driving conditions demand it (such as bad weather, high traffic density, presence of children in the car, difficult road conditions), pull off the road and park before making or answering your calls. Also, try to make conversations short and do not make notes or read documents.

IT

Always drive safely and follow local laws.

NL

SU About your Jabra BT5010

- NO 1 Answer/end button
- SE 2 Charge connector
- DK 3 Earhook
- GR 4 Volume up (default)
- 5 Volume down (default)
- 6 LED indicator light
- 7 Sliding boom arm
- 8 Microphone
- 9 On/off pairing button
- 10 Speaker

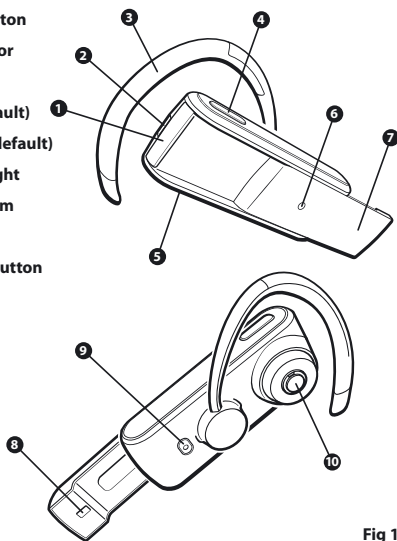


Fig 1

What your new headset can do

Your Jabra BT5010 lets you do all this:

- Answer calls
- End calls
- Reject calls*
- Voice Dialling*
- Last number redialling*
- Call waiting*
- Put call on hold*
- Mute
- Enable/Disable vibrator

* Phone dependent

Specifications

- Talk time up to 10 hours/standby time up to 240 hours
- Rechargeable battery with charging option from AC power supply, PC via USB cable or car charger (not included)
- Weight 20 grams
- Battery indicator
- Operating range up to 10 metres (approx. 33 feet)
- Headset and hands-free Bluetooth profiles
- Bluetooth specification (*see glossary*) version 2.0

GETTING STARTED

The Jabra BT5010 is easy to operate. The answer/end button on the headset performs the different functions depending on how long you press it.

Instruction:	Duration of press
Tap	Press briefly
Press	Approx: 1 second
Press and hold	Approx: 5 seconds

GB 1. Charge your headset

F ES PT DE IT NL SE DK GR Make sure that your Jabra BT5010 headset is fully charged for two hours before you start using it. Use the AC adapter to charge from a power socket, or charge directly from your PC with the USB cable provided. Use only the chargers provided in the box – do not use chargers from any other devices as this might damage your Jabra BT5010.


PT DE IT NL SE DK GR Connect your headset as shown in **fig 2**. When the LED indicator light is solid red, your headset is charging. When the LED indicator light is green, it is fully charged.

IT 2. Turning your headset on and off

- NL SE DK GR • **Press** the on/off/pairing button to turn on your headset (*see fig 1*). The LED will show the battery status to indicate the Jabra BT5010 is on (*see section 7*).
- SE DK GR • **Press** the on/off/pairing button to turn off your headset until you see a burst of flashes.

SE 3. Pair it with your phone

DK GR **Before you use your Jabra BT5010, you need to pair it with your mobile phone.**

- GR **1. Put the headset in pairing mode**
 - GR • Make sure the headset is off.
 - GR • **Press** the on/off/pairing button marked  until the LED indicator light is solid blue.
- GR **2. Set your Bluetooth phone to 'discover' the Jabra BT5010**

GR Follow your phone's instruction guide. This usually involves going to a 'setup,' 'connect' or 'Bluetooth' menu **on your phone** and selecting the option to 'discover' or 'add' a Bluetooth device.* (*See example from a typical mobile phone in fig 3*).
- GR **3. Your phone will find the Jabra BT5010**

GR Your phone then asks if you want to pair with it. Accept by pressing 'Yes' or 'OK' on the phone and confirm with the **passkey or PIN = 0000 (4 zeros)**. Your phone will confirm when pairing is complete. In case of unsuccessful pairing, repeat steps 1 to 3.

GB 4. Wear it how you like it

F ES PT DE IT NL SE DK GR The Jabra BT5010 is ready to wear on your right ear. If you prefer the left, pull out the earhook and rotate and insert as shown. (*See fig 4*).

For optimal performance, wear the Jabra BT5010 and your mobile phone on the same side of your body or within line of sight. In general, you will get better performance when there are no obstructions between your headset and your mobile phone. (*See fig 5*)

IT 5. The sliding boom arm

NL SE DK GR The sliding boom arm is used for answering and ending calls, but will also give an increased audio quality when extended.

SE DK GR To answer an incoming call just extend the boom arm to an open position and to end the call slide the boom arm back to a closed position.

NO SE DK GR The Jabra BT5010 can of course be used with the boom arm in both positions, but will provide the best audio quality when in the open position.

6. How to...

Answer a call

- GR • **Tap** the answer/end button on your headset to answer a call or
- GR • **Open** the sliding boom arm to answer the call

End a call

- GR • **Tap** the answer/end button to end an active call or
- GR • **Close** the sliding boom arm to end an active call

Make a call

- GR • When you make a call from your mobile phone, the call will (subject to phone settings) automatically transfer to your headset. If your phone does not allow this feature, tap on the Jabra BT5010's answer/end button to transfer the call to the headset.

Reject a call*

- GR • **Press** the answer/end button when the phone rings to reject an incoming call. Depending on your phone settings, the person who called you will either be forwarded to your voice mail or hear a busy signal.

GB **Activate voice dialling***

F

- **Tap** the answer/end button. For best results, record the voice-dialling tag through your headset. Please consult your phone's user manual for more information about using this feature.

ES **Redial last number***

- **Press** the answer/end button.

PT **Adjust sound and volume**

DE

- **Press** the volume up or down (+ or -) to adjust the volume. (*Volume up button as per default on top of the headset when worn on the right ear.*)
- To mute, **press both** volume up and down at the same time. A low beep alert plays during a muted call.
- To un-mute, **tap** either of the volume buttons.

IT

NL **Call waiting and placing a call on hold***

This lets you put a call on hold during a conversation and answer a waiting call.

SU

- **Press** the answer/end button once to put the active call on hold and answer the waiting call.
- **Press** the answer/end button to switch between the two calls.
- **Tap** the answer/end button to end the active conversation.

NO

SE * Functions marked with * are dependent on your phone supporting these features. Check your phone's user manual for further information.

DK

GR **Enable/disable vibrator**

- **Press and hold** both volume buttons in standby mode.

Volume buttons

To change the orientation of the volume buttons (default setting is for right ear wearing mode)

- **Press and hold** the answer/end button in standby mode and **tap** the desired up button.

7. Battery Indicator

When the Jabra BT5010 is turned on or a button is pressed more than 1 minute after last button press, the LED indicates the battery level of the headset.

What you see	Battery level
4 Green flashes	75% – 100% Charged
3 Green flashes	50% – 75% charged
2 Green flashes	25% – 50% charged
1 Red flash	Less than 25% charged

8. What the lights mean

GB

F

What you see	What this means about your headset
Series of flashes	See battery indicator (section 7)
Flashing blue and green light	Incoming call
Flashing blue light	Flashing every second: active call
Flashing blue light	Flashing every three seconds: in standby mode (only for 1 minute then off)
Flashing red light	Running low on battery
Solid green light	Fully charged
Solid red light	Charging
Solid blue light	In pairing mode (see section 3)

ES

PT

DE

IT

NL

SU

NO

SE

DK

GR

9. Using a Jabra Bluetooth adapter

If you want to use the Jabra BT5010 with a non-Bluetooth mobile phone, the Jabra A210 adapter is the answer.

It gives you a cordless connection with the following headset feature: answer/end call, voice dial function (if supported by the phone) and mute. Rejecting a call, last number redial and putting a call on hold might not be supported through the headset jack in the mobile phone.

To pair the Jabra BT5010 with the Jabra A210

The pairing process is a little different:

- Put your Jabra BT5010 in pairing mode
- Put the Jabra A210 adapter in pairing mode
- Place them close together. You do not need a dedicated pin code to pair the two Jabra products. Consult the Jabra A210 adapter user manual for more information.

Making/answering a call when using the Jabra A210

- When you make a call from your mobile phone, the call will automatically transfer to headset (if it is turned on)
- To answer a call: either tap the answer/end button on your headset, open the boom arm or press the answer button on your mobile phone

GB 10. Troubleshooting & FAQ

F I hear crackling noises

- For the best audio quality, always wear your headset on the same side of the body as the mobile phone

ES I cannot hear anything in my headset

- Increase the volume on the headset.
- Ensure that the headset is paired with the phone.
- Make sure that the phone is connected to the headset – if it does not connect either from the phone's Bluetooth menu or by tapping the answer/end button, follow the pairing procedure (**See section 3**).

PT I have pairing problems even though my phone indicates otherwise

- You may have deleted your headset pairing connection in your mobile phone. Follow the pairing instructions in section 3.

DE Will the Jabra BT5010 work with other Bluetooth equipment?

- The Jabra BT5010 is designed to work with Bluetooth mobile phones. It can also work with other Bluetooth devices that are compliant with Bluetooth version 1.1, 1.2 or 2.0 and support a headset and/or hands-free profile.

IT I cannot use reject call, call on hold, redial or voice dialling

- These functions are dependent on your phone supporting them. Please check your phone's manual for further details.

NL 11. Need more help?

SU Jabra offers customer support online at www.jabra.com or you can see the inside cover for the support details of your country.

NO 12. Taking care of your headset

- Always store the Jabra BT5010 with the power off and safely protected.
- Avoid storage at extreme temperatures (above 45°C/113°F – including direct sunlight – or below -10°C/14°F). This can shorten battery life and may affect operation. High temperatures may also degrade performance.
- Do not expose the Jabra BT5010 to rain or other liquids.

GB 13. Warranty

Jabra (GN Netcom) warrants this product against all defects in material and workmanship for a period of two years from the date of original purchase. The conditions of this warranty and our responsibilities under this warranty are as follows:

- The warranty is limited to the original purchaser
- A copy of your receipt or other proof of purchase is required
- The warranty is void if the serial number, date code label or product label is removed, or if the product has been subject to physical abuse, improper installation, modification, or repair by unauthorized third parties
- The responsibility of Jabra (GN Netcom) products shall be limited to the repair or replacement of the product at its sole discretion
- Any implied warranty on Jabra (GN Netcom) products is limited to two years from the date of purchase on all parts, including any cords and connectors
- Specifically exempt from any warranty are limited-life consumable components subject to normal wear and tear, such as microphone windscreens, ear cushions, decorative finishes, batteries, and other accessories
- Jabra (GN Netcom) is not liable for any incidental or consequential damages arising from the use or misuse of any Jabra (GN Netcom) product
- This warranty gives you specific rights and you may have other rights which vary from area to area
- Unless otherwise instructed in the User Manual, the user may not, under any circumstances, attempt to perform service, adjustments or repairs on this unit, whether in or out of warranty. It must be returned to the purchase point, factory or authorized service agency for all such work
- Jabra (GN Netcom) will not assume any responsibility for any loss or damage incurred in shipping. Any repair work on Jabra (GN Netcom) products by unauthorized third parties voids any warranty

GB 14. Certification and safety approvals

CE

This product is CE marked according to the provisions of the R & TTE Directive (99/5/EC). Hereby, GN Netcom, declares that this product is in compliance with the essential requirements and other relevant provisions of Directive 1999/5/EC.

PT For further information please consult www.jabra.com

DE Within the EU this device is intended to be used in Austria, Belgium, Cyprus, Czech Republic, Denmark, Estonia, Finland, France, Germany, Greece, Hungary, Ireland, Italy, Latvia, Lithuania, Luxembourg, Malta, Poland, Portugal, Slovakia, Slovenia, Spain, Sweden, The Netherlands, United Kingdom, and within EFTA in Iceland, Norway and Switzerland.

Bluetooth

The Bluetooth® word mark and logos are owned by the Bluetooth SIG, Inc. and any use of such marks by GN Netcom is under license. Other trademarks and trade names are those of their respective owners.

15. Glossary

Bluetooth is a radio technology that connects devices, such as mobile phones and headsets, without wires or cords over a short distance (approx. 30 feet). Get more information at www.bluetooth.com

Bluetooth profiles are the different ways that Bluetooth devices communicate with other devices. Bluetooth phones support either the headset profile, the hands-free profile or both. In order to support a certain profile, a phone manufacturer must implement certain mandatory features within the phone's software.

Pairing creates a unique and encrypted link between two Bluetooth devices and lets them communicate with each other. Bluetooth devices will not work if the devices have not been paired.

Passkey or PIN is a code that you enter on your Bluetooth enabled device (e.g. a mobile phone) to pair it with your Jabra BT5010. This makes your device and the Jabra BT5010 recognize each other and automatically work together.

Standby mode is when the Jabra BT5010 is passively waiting for a call. When you end a call on your mobile phone, the headset goes into standby mode.



Dispose of the product according to local standards and regulations. www.jabra.com/weee

Français

Merci	14
A propos du Jabra BT5010.....	14
Les fonctions de votre nouveau casque	15
MISE EN ROUTE	15
1. Charger le casque	16
2. Mettre en marche et éteindre le casque.....	16
3. Appairer le casque avec votre téléphone.....	16
4. Position au choix.....	17
5. Le bras micro coulissant.....	17
6. Comment.....	17
7. Indicateur de batterie	19
8. Explication des voyants lumineux.....	19
9. Utilisation d'un adaptateur Bluetooth Jabra.....	20
10. Dépannage et FAQ	20
11. Pour plus d'informations	21
12. Entretien du casque	21
13. Garantie	22
14. Autorisations de sécurité et de certification	23
15. Glossaire.....	24

GB **Merci**

F Merci d'avoir acheté le casque Bluetooth Jabra BT5010. Nous espérons que vous en serez satisfait ! Ce manuel d'utilisation vous permettra d'utiliser et de tirer le meilleur parti de votre casque.

ES **N'oubliez pas : la sécurité routière passe avant les appels téléphoniques !**

PT L'utilisation d'un téléphone mobile au volant peut détourner votre attention de la route et augmenter le risque d'accident. Si les conditions de conduite (mauvais temps, circulation dense, présence d'enfants dans la voiture ou conditions de route difficiles) l'imposent, quittez la route et gardez-vous avant d'effectuer ou de répondre à un appel. Veillez également à écouter les communications et à ne pas prendre de notes ni lire de documents en conduisant.

DE **N.B. : conduisez toujours prudemment en respectant la réglementation locale.**

SE A propos du Jabra BT5010

- DK **1** Touche Réponse/Fin
- GR **2** Connecteur de chargement
- 3** Oreillette
- 4** Volume sonore haut (défaut)
- 5** Volume sonore bas (défaut)
- 6** Voyant lumineux
- 7** Bras micro coulissant
- 8** Microphone
- 9** Touche marche/arrêt/appairage
- 10** Haut-parleur

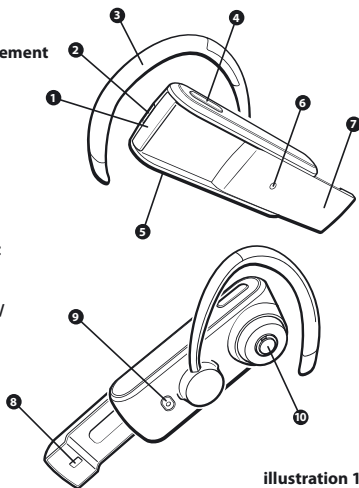


illustration 1

Les fonctions de votre nouveau casque

Le Jabra BT5010 permet les fonctions suivantes :

- Réponse aux appels
- Fin d'appels
- Refus d'appels*
- Numérotation vocale*
- Rappel du dernier numéro composé*
- Double appel*
- Mise en attente d'appel*
- Mise en sourdine
- Activation/désactivation du vibreur

* Dépend du modèle de téléphone

Spécifications

- Jusqu'à 10 heures de conversation et jusqu'à 240 heures en veille
- Batterie rechargeable avec option de chargement à partir d'une source de courant alternatif, d'un ordinateur via un câble USB ou d'un chargeur de voiture (non fourni)
- Poids : 20 grammes
- Indicateur de batterie
- Portée : jusqu'à 10 mètres
- Profils Bluetooth casque et mains libres
- Spécification Bluetooth (voir glossaire) version 2.0

MISE EN ROUTE

Le Jabra BT5010 est facile à utiliser. La touche Réponse/Fin du casque assure diverses fonctions selon la durée de pression.

Instruction	Durée de pression
Tapez	Simple pression rapide
Appuyez	Environ 1 seconde
Appuyez et maintenez enfoncée	Environ 5 secondes

1. Charger le casque

Avant la première utilisation, assurez-vous que le casque Jabra BT5010 est entièrement chargé. Utilisez l'adaptateur secteur CA ou chargez-le directement de votre PC avec le câble USB inclus. Utilisez uniquement les chargeurs fournis – n'utilisez pas de chargeurs correspondant à d'autres appareils, cela risquerait d'endommager votre Jabra BT5010.

Branchez le casque comme indiqué sur l'**illustration 2**. Quand le voyant est rouge en continu, le casque est en cours de chargement. Quand le voyant est vert, le casque est entièrement chargé.


2. Mettre en marche et éteindre le casque

- Pour mettre le casque en marche, **appuyez** sur la touche marche/arrêt/appairage (**voir illustration 1**). Le voyant lumineux indiquera l'état de la batterie pour confirmer que le Jabra BT5010 est en marche (**voir section 7**).
- Pour éteindre le casque, **appuyez** sur la touche marche/arrêt/appairage jusqu'à ce que vous voyiez une succession rapide de clignotements.

3. Appairer le casque avec votre téléphone

Avant d'utiliser le Jabra BT5010, vous devez l'appairer avec votre téléphone mobile.

1. Mettez le casque en mode appairage

- Assurez-vous que le casque est éteint.
- Appuyez** sur la touche marche/arrêt/appairage  jusqu'à ce que le voyant soit bleu.

2. Réglez votre téléphone Bluetooth pour qu'il « détecte » le Jabra BT5010

Suivez le manuel d'utilisation de votre téléphone. Généralement, cela implique d'accéder à un menu « réglages », « connexion » ou « Bluetooth » **sur votre téléphone**, puis de sélectionner l'option « détection » ou « ajout » d'un périphérique Bluetooth*. (**voir exemple à partir d'un téléphone mobile type sur l'illustration 3**).

3. Votre téléphone détecte le Jabra BT5010

Votre téléphone vous demande ensuite si vous voulez appairer le casque avec le téléphone. Acceptez en appuyant sur « Oui » ou « OK » sur le téléphone et saisissez le **mot de passe ou code PIN = 0000 (4 zéros)**. Votre téléphone confirme que l'appairage est terminé. En cas d'échec, répétez les étapes 1 à 3.

4. Position au choix

Le Jabra BT5010 est livré pour être porté sur l'oreille droite. Si vous préférez le porter sur l'oreille gauche, retirez l'oreillette, tournez-la et insérez-la comme indiqué (**voir illustration 4**).

Pour une performance optimale, portez le Jabra BT5010 et votre téléphone mobile du même côté ou dans la même ligne de visée. Vous obtiendrez en général une meilleure performance s'il n'y a aucun obstacle entre le casque et le téléphone (**voir illustration 5**).

5. Le bras micro coulissant

Le bras micro coulissant sert à prendre et mettre fin aux appels, mais il donne également une meilleure qualité audio lorsque vous le déployez.

Il suffit de déployer le bras micro en position ouverte pour répondre à un appel entrant et de le remettre en position fermée pour mettre fin à l'appel.

Le Jabra BT5010 peut bien sûr être utilisé avec le bras micro dans les deux positions, mais vous obtiendrez la meilleure qualité audio en position ouverte.

6. Comment...

Répondre à un appel

- Pour répondre à un appel, **tapez** sur la touche Réponse/Fin du casque
ou
- Déployez** le bras micro coulissant

Finir un appel

- Pour finir un appel en cours, **tapez** sur la touche Réponse/Fin
ou
- Fermez** le bras micro coulissant

Effectuer un appel

- Si vous effectuez un appel à partir de votre téléphone mobile, l'appel sera automatiquement transféré au casque (en fonction des paramètres du téléphone). Si votre téléphone ne supporte pas cette fonction, tapez sur la touche Réponse/Fin du Jabra BT5010 pour transférer l'appel vers le casque.

GB Refuser un appel*

- Pour refuser un appel entrant, **appuyez** sur la touche Réponse/Fin quand le téléphone sonne. Selon les paramètres de votre téléphone, le correspondant sera transféré sur votre messagerie vocale ou recevra la tonalité « occupé ».

F

ES

Activer la numérotation vocale*

- **Tapez** sur la touche Réponse/Fin. Vous obtiendrez de meilleurs résultats si vous enregistrez l'identité de numérotation vocale via votre casque. Veuillez consulter le manuel d'utilisation de votre téléphone pour davantage d'informations sur cette fonction.

PT

DE

Rappeler le dernier numéro composé*

- **Appuyez** sur la touche Réponse/Fin.

IT

NL

Régler le son et le volume

- **Appuyez** sur la touche de volume haut ou bas (+ ou -) pour régler le volume. *(La touche de volume haut se trouve sur la partie supérieure du casque lorsque vous le portez sur l'oreille droite).*
- Pour mettre en sourdine, **appuyez sur les deux** touches de volume simultanément. Vous entendrez une tonalité d'avertissement discrète tant que l'appel sera en sourdine.
- Pour annuler la sourdine, **tapez** sur l'une des touches de volume.

SU

NO

SE

Utiliser la fonction double appel/mise en attente*

Cette fonction vous permet de mettre un appel en attente pendant que vous répondez à un autre appel.

- Pour mettre l'appel en cours en attente et répondre à l'appel entrant, **appuyez** une fois sur la touche Réponse/Fin.
- Pour passer d'un appel à l'autre, **appuyez** sur la touche Réponse/Fin.
- Pour finir l'appel en cours, **tapez** sur la touche Réponse/Fin.

* Les fonctions marquées * ne fonctionnent que si votre téléphone les supporte. Pour plus d'informations, vérifiez le manuel d'utilisation de votre téléphone.

Activer/désactiver le vibreur

- **Appuyez sur** les deux touches de volume **et maintenez-les enfoncées** lorsque le casque est en mode veille.

Touches de volume

Pour changer l'orientation des touches de volume (le réglage par défaut prévoit le port sur l'oreille droite)

- Lorsque le casque est en mode veille, **appuyez sur** la touche Réponse/Fin et maintenez-la enfoncée et **tapez** sur la touche de volume haut désirée.

7. Indicateur de batterie

Le voyant lumineux indique l'état de la batterie lorsque le Jabra BT5010 est mis en marche ou lorsque vous appuyez sur une touche plus d'une minute après la dernière utilisation.

GB

F

ES

PT

DE

IT

NL

SU

NO

SE

DK

GR

Ce que vous voyez	Etat de la batterie
4 clignotements en vert	chargée à 75% - 100%
3 clignotements en vert	chargée à 50% - 75%
2 clignotements en vert	chargée à 25% - 50%
1 clignotement en rouge	chargée à moins de 25%

8. Explication des voyants lumineux

Ce que vous voyez	correspond sur le casque à
Série de clignotements	Voir indicateur de batterie (section 7)
Clignotements en bleu et vert	Appel entrant
Clignotements en bleu	Toutes les secondes : Appel en cours
Clignotements en bleu	Toutes les 3 secondes : en mode veille (pendant une minute seulement)
Clignotements en rouge	Batterie faible
Voyant vert allumé en continu	Chargement terminé
Voyant rouge allumé en continu	En cours de chargement
Voyant bleu allumé en continu	En mode appairage (voir section 3)

9. Utilisation d'un adaptateur

Bluetooth Jabra

Si vous souhaitez utiliser le Jabra BT5010 avec un téléphone mobile non Bluetooth, l'adaptateur Jabra A210 est la solution idéale.

Il vous donne une connexion sans fil avec les fonctions suivantes sur le casque : réponse aux appels/fin d'appels, numérotation vocale (si votre téléphone le supporte) et mise en sourdine. Il se peut que les fonctions de refus d'appels, de rappel du dernier numéro composé et de mise en attente d'appels ne soient pas supportées via la prise jack du casque dans le téléphone mobile.

Appairer le Jabra BT5010 avec le Jabra A210

Cette procédure d'appairage est légèrement différente:

- Mettez le Jabra BT5010 en mode appairage
- Mettez l'adaptateur Jabra A210 en mode appairage
- Placez-les à proximité l'un de l'autre. Vous n'avez pas besoin d'un code PIN spécial pour appairer les deux produits Jabra. Veuillez consulter le manuel d'utilisation de l'adaptateur Jabra A210 pour de plus amples renseignements.

Effectuer/répondre à un appel lorsque vous utilisez le Jabra A210

- Lorsque vous effectuez un appel depuis votre téléphone mobile, l'appel sera automatiquement transféré au casque (s'il est en marche)
- Pour répondre à un appel : Vous avez le choix entre taper sur la touche Réponse/Fin de votre casque, déployer le bras micro ou appuyer sur la touche Réponse de votre téléphone mobile

10. Dépannage et FAQ

J'entends des craquements

- Pour une qualité audio optimale, portez toujours le casque du même côté que le téléphone mobile

Je n'entends rien dans mon casque

- Augmentez le volume dans votre casque.
- Assurez-vous que le casque est appairé avec le téléphone.
- Assurez-vous que le téléphone est connecté au casque – s'il ne se connecte pas à partir du menu Bluetooth du téléphone ni en tapant sur la touche Réponse/Fin, suivez la procédure d'appairage (**voir section 3**).

J'ai des problèmes d'appairage, même si mon téléphone indique le contraire

- Vous avez peut-être effacé la connexion d'appairage de votre casque dans votre téléphone mobile. Suivez les instructions d'appairage de la section 3.

Le casque Jabra BT5010 fonctionnera-t-il avec d'autres appareils Bluetooth ?

- Le casque Jabra BT5010 est conçu pour fonctionner avec des téléphones mobiles Bluetooth. Il peut aussi fonctionner avec d'autres appareils Bluetooth compatibles avec les versions Bluetooth 1.1, 1.2 ou 2.0 et supportant un profil casque et/ou mains libres.

Je ne peux pas utiliser les fonctions de rejet d'appel, de mise en attente d'un appel, de rappel du dernier numéro composé ni de numérotation vocale

- Ces fonctions ne sont disponibles que si votre téléphone les supporte. Veuillez consulter le manuel d'utilisation de votre téléphone pour plus de renseignements.

11. Pour plus d'informations

Consultez l'assistance en ligne de Jabra à www.jabra.com ou reportez-vous à l'intérieur de la couverture pour obtenir les coordonnées du service d'assistance dans votre pays.

12. Entretien du casque

- Eteignez toujours le Jabra BT5010 et emballez-le soigneusement avant de le ranger.
- Evitez de l'exposer à des températures extrêmes (au-dessus de 45°C – y compris aux rayons du soleil – ou en dessous de -10°C). Cela risque de réduire la durée de vie de la batterie et d'entraîner des dysfonctionnements. Les températures élevées risquent aussi de diminuer ses performances.
- Evitez tout contact avec la pluie ou d'autres liquides.

GB 13. Garantie

F Jabra (GN Netcom) garantit ce produit contre tous les défauts, pièce et main d'œuvre, pendant deux ans à compter de la date initiale d'achat. Les conditions de cette garantie et nos responsabilités en vertu de cette garantie sont les suivantes :

- ES La garantie ne s'applique qu'à l'acheteur original.
- PT Une copie de votre reçu ou autre preuve d'achat est requise
- DE La garantie est nulle si le numéro de série, l'étiquette du code date ou l'étiquette du produit sont enlevés, ou si le produit a subi un usage inapproprié, une installation impropre, une modification ou une réparation par des tiers non autorisés
- IT La responsabilité de Jabra (GN Netcom) sur ses produits sera limitée à la réparation ou au remplacement du produit à l'entière discrétion de Jabra
- NL Toute garantie implicite sur les produits Jabra (GN Netcom) est limitée à deux ans à compter de la date d'achat pour toutes les pièces, y compris les cordons et connecteurs
- SU Sont spécifiquement exclus de toute garantie les consommables à durée de vie limitée soumis à une usure normale, tels que les bonnettes de microphone, les oreillettes, les décorations de finition, les batteries et autres accessoires
- NO Jabra (GN Netcom) n'est pas responsable des dommages accessoires ou indirects résultant de l'utilisation appropriée ou inappropriée de l'un des produits Jabra (GN Netcom)
- SE Cette garantie vous donne des droits spécifiques et vous pouvez bénéficier d'autres droits qui varient d'un pays à l'autre
- DK Sauf indication contraire dans le manuel d'utilisation, l'utilisateur ne pourra, en aucun cas, tenter d'effectuer une opération de maintenance, d'ajustement ou de réparation sur cet appareil, qu'il soit ou non sous garantie. L'unité doit être retournée au point de vente, à l'usine ou au centre de maintenance agréé pour ce type d'opération
- GR Jabra (GN Netcom) n'assumera aucune responsabilité en cas de perte ou dommage subi lors de l'expédition. Tout travail de réparation sur les produits Jabra (GN Netcom) par des personnes non autorisées annule toute garantie

GB 14. Autorisations de sécurité et de certification

F CE

CE Ce produit porte le marquage CE conformément aux dispositions de la Directive 1999/5/CE (R&TTE). GN Netcom déclare par la présente que ce produit est conforme aux principales exigences et autres dispositions pertinentes de la Directive 1999/5/CE.

Pour de plus amples informations, nous vous invitons à visiter le site www.jabra.com

IT Dans l'UE, ce dispositif est utilisable dans les pays suivants : Autriche, Belgique, Chypre, République tchèque, Danemark, Estonie, Finlande, France, Allemagne, Grèce, Hongrie, Irlande, Italie, Lettonie, Lituanie, Luxembourg, Malte, Pologne, Portugal, Slovaquie, Slovénie, Espagne, Suède, Pays Bas, Royaume-Uni, et dans les pays de l'AELE : Islande, Norvège et Suisse.

SU Bluetooth

NO La marque et le logo Bluetooth® sont la propriété de Bluetooth SIG, Inc. et toute utilisation de telles marques par GN Netcom est sous licence. Toutes autres marques et dénominations commerciales appartiennent à leurs propriétaires respectifs.

GB 15. Glossaire

F La technologie **Bluetooth** est une technologie permettant de connecter des appareils, tels que des téléphones mobiles ou des casques, sans fils ni cordons électriques sur une courte distance (environ 10 mètres). Pour plus d'informations, rendez-vous sur le site www.bluetooth.com

ES Les **profils Bluetooth** sont les différentes manières dont les appareils Bluetooth communiquent avec d'autres appareils. Les téléphones Bluetooth supportent soit le profil casque, soit le profil mains libres, soit les deux. Afin de supporter un profil spécifique, le fabricant de téléphone doit intégrer certaines fonctions obligatoires dans le logiciel du téléphone.

PT **L'appairage crée** un lien unique et crypté entre deux appareils Bluetooth et leur permet de communiquer entre eux. Les appareils Bluetooth ne fonctionneront pas s'ils n'ont pas fait l'objet d'un appairage.

DE Le **mot de passe ou code PIN** est un code que vous saisissez dans votre appareil Bluetooth (par exemple un téléphone) afin de l'appairer avec votre Jabra BT5010. Il permet à votre appareil et au Jabra BT5010 de se reconnaître et de fonctionner automatiquement ensemble.

IT Le **mode veille** est actif lorsque le Jabra BT5010 attend passivement un appel. Lorsque vous « finissez » un appel sur votre téléphone mobile, le casque passe en mode veille.

NL

SU

NO

SE

DK

GR

Español

GB Gracias 26 **F**

Acerca de su Jabra BT5010 26 **ES**

Lo que su nuevo auricular puede hacer 27 **PT**

CÓMO EMPEZAR 27 **DE**

1. Cargue el auricular 28 **IT**

2. Cómo encender y apagar el auricular 28 **NL**

3. Emparejado con su teléfono 28 **SU**

4. Llévelo como más le guste 29 **NO**

5. El brazo extensible 29 **SE**

6. Cómo 29 **DK**

7. Indicador de batería 31 **GR**

8. Significado de los indicadores 31

9. Uso de un adaptador Bluetooth de Jabra 31

10. Solución de problemas y Preguntas frecuentes 32

11. ¿Necesita más ayuda? 33

12. Cuidados del auricular 33

13. Garantía 33

14. Certificación y homologaciones de seguridad 34

15. Glosario 35



Mette le produit au
rebut selon les règlements
locaux standard.
www.jabra.com/weee

GB Gracias

F Gracias por comprar el auricular BT5010 Bluetooth de Jabra. ¡Esperamos que lo disfrute! Este manual de instrucciones le ayudará a empezar y a aprovechar al máximo su auricular.

ES Recuerde, ¡lo primero es la carretera, no la llamada!

PT El uso de teléfonos móviles mientras se conduce puede distraerle y aumentar la posibilidad de sufrir un accidente. Si las condiciones de conducción lo aconsejan (por ejemplo, mal tiempo, circulación densa, presencia de niños en el automóvil, condiciones de carretera difíciles), salga de la carretera y aparque antes de hacer o contestar una llamada. Asimismo, limite la duración de su conversación y no tome notas ni lea documentos.

NL **Siempre conduzca con cuidado y observe la normativa local.**

SU Acerca de su Jabra BT5010

- NO
- SE
- DK
- GR
- 1 Botón contestar/terminar llamada
 - 2 Conector de carga
 - 3 Gancho para la oreja
 - 4 Subir volumen (predeterminado)
 - 5 Bajar volumen (predeterminado)
 - 6 Indicador LED
 - 7 Brazo extensible
 - 8 Micrófono
 - 9 Botón de encendido/apagado/emparejado
 - 10 Altavoz

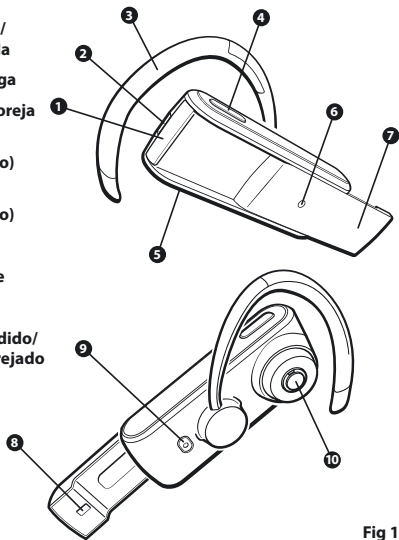


Fig 1

Lo que su nuevo auricular puede hacer

Su Jabra BT5010 le permite hacer todo esto:

- Contestar llamadas
- Terminar llamadas
- Rechazar llamadas*
- Marcación por voz*
- Llamada del último número*
- Llamada en espera*
- Poner una llamada en espera*
- Silenciar
- Activar/Desactivar vibrador

* depende del teléfono

Especificaciones

- Hasta 10 horas de conversación – hasta 240 horas en espera
- Batería recargable con opción de carga desde una fuente de alimentación CA, desde un PC mediante un cable USB o con un cargador para automóvil (no incluido)
- Peso 20 gramos
- Indicador de batería
- Alcance máximo 10 metros
- Perfiles Bluetooth de auricular y de manos libres
- Especificación Bluetooth (**Ver glosario**) versión 2.0

CÓMO EMPEZAR

El Jabra BT5010 es fácil de usar. El botón contestar/terminar del auricular realiza diferentes funciones, dependiendo de la duración de la pulsación:

Instrucción	Duración de la pulsación
Pulse brevemente	Una pulsación breve
Pulse	Aprox: 1 segundo
Mantenga pulsado	Aprox: 5 segundos

1. Cargue el auricular

Asegúrese de que su auricular Jabra BT5010 reciba una carga completa de 2 horas antes de empezar a utilizarlo. Utilice el adaptador CA para cargarlo desde una toma de corriente, o cárguelo directamente desde su PC con el cable USB suministrado. Utilice únicamente los cargadores suministrados en la caja – no utilice cargadores de otros dispositivos porque pueden dañar su Jabra BT5010.

Conecte su auricular tal y como muestra la **figura 2**. Cuando el LED está encendido de color rojo de forma continua, su auricular se está cargando. Cuando el LED está encendido de color verde, está totalmente cargado.


2. Cómo encender y apagar el auricular

- **Pulse** el botón de encendido/apagado/emparejado para encender el auricular (**ver Fig. 1**). El LED mostrará el estado de la batería, indicando que el Jabra BT5010 está encendido (**ver sección 7**).
- **Pulse** el botón de encendido/apagado/emparejado para apagar el auricular hasta que vea una serie de parpadeos.

3. Emparejado con su teléfono

Antes de usar su Jabra BT5010, tendrá que emparejarlo con su teléfono móvil.

1. Ponga el auricular en modo de emparejado

- Asegúrese de que el auricular está apagado.
- **Pulse** el botón de encendido/apagado/emparejado con la señal  hasta que el indicador luminoso se encienda de color azul de forma continua.

2. Haga que su teléfono Bluetooth “descubra” el Jabra BT5010

Siga la guía de instrucciones de su teléfono. Normalmente, tendrá que ir al menú “configuración”, “conexión” o “Bluetooth” **de su teléfono** y luego seleccionar la opción correspondiente para “descubrir” o “añadir” un dispositivo Bluetooth*. (**La Fig. 3 muestra un ejemplo de un teléfono móvil típico**).

3. Su teléfono encontrará el Jabra BT5010

A continuación, el teléfono le pregunta si desea realizar el emparejado. Acepte pulsando “Sí” u “Ok” en el teléfono y confirme con el **código secreto o PIN = 0000 (4 ceros)**. El teléfono confirmará que el emparejado se ha realizado con éxito. Si no hubo éxito, realice otra vez los pasos 1 a 3.

4. Llévelo como más le guste

El Jabra BT5010 viene preparado para llevarse en la oreja derecha. Si prefiere llevarlo en la oreja izquierda, extraiga el gancho para la oreja y gírelo e introdúzcalo según lo indicado en la **Figura 4**.

Para obtener un rendimiento óptimo, lleve el JABRA BT5010 y su teléfono móvil en el mismo lado de su cuerpo o en línea visual directa. En general, usted obtendrá mejores resultados si no hay obstrucción alguna entre el auricular y el teléfono móvil (**ver Fig. 5**).

5. El brazo extensible

El brazo extensible se utiliza para contestar y terminar llamadas, pero además, mejora la calidad de audio cuando se utiliza en modo extendido.

Para contestar una llamada entrante, simplemente extienda el brazo a la posición de abierto, y para terminar la llamada, deslice el brazo hasta la posición de cerrado.

Por supuesto, el Jabra BT5010 puede utilizarse con el brazo en cualquiera de las posiciones, pero se obtiene una mejor calidad de audio en posición de abierto.

6. Cómo...

Contestar una llamada

- **Pulse brevemente** el botón contestar/terminar del auricular para contestar una llamada
-
- **Abra** el brazo extensible para contestar la llamada

Terminar una llamada

- **Pulse brevemente** el botón contestar/terminar para finalizar una llamada activa
-
- **Cierre** el brazo extensible para terminar una llamada activa

Hacer una llamada

- Si usted hace una llamada desde el teléfono móvil, la llamada (dependiendo de la configuración del teléfono) será transferida automáticamente al auricular. Si su teléfono no soporta esta función, pulse brevemente el botón contestar/terminar del Jabra BT5010 para transferir la llamada al auricular.

GB **Rechazar una llamada***

- **Pulse** botón contestar/terminar cuando el teléfono suene para rechazar una llamada entrante. Dependiendo de la configuración de su teléfono, la persona que le está llamando será transferida a su buzón de voz u oír una señal de comunicando.

ES **Activar la marcación por voz***

- **Pulse brevemente** el botón contestar/terminar. Para obtener los mejores resultados, grabe las etiquetas de voz desde el auricular. Si desea más información sobre el uso de esta función, por favor consulte el manual del usuario de su teléfono.

PT **Volver a marcar el último número***

- **Pulse** el botón contestar/terminar.

DE **Ajustar el sonido y el volumen**

- **Pulse** el botón subir o bajar volumen (+ o -) para ajustar el volumen. *(Por defecto, la función subir volumen corresponde al botón que está encima del auricular, cuando éste se lleva en la oreja derecha).*
- Para silenciar el auricular, **pulse simultáneamente** subir y bajar volumen. Durante una llamada silenciada, se emite un 'bip' a bajo volumen
- Para desactivar la función silenciar, **pulse brevemente** cualquier de los botones de volumen

IT **Llamada en espera***

Esta función le permite dejar una llamada en espera durante una conversación, y contestar otra llamada entrante.

- **Pulse** una vez el botón contestar/terminar para poner en espera la llamada activa y contestar la llamada en espera.
- **Pulse** el botón contestar/terminar para cambiar entre las dos llamadas.
- **Pulse brevemente** el botón contestar/terminar para finalizar la conversación activa

* Las funciones marcadas con * dependen del soporte ofrecido por su teléfono para las mismas. Consulte el manual de usuario de su teléfono si desea más información.

DK **Activar/desactivar vibrador**

- **Mantenga pulsado ambos botones de volumen en** modo de espera.

GR **Botones de volumen**

Para cambiar la orientación de los botones de volumen (la configuración predeterminada es para la oreja derecha)

- **Mantenga pulsado** el botón contestar/terminar en modo de espera y pulse brevemente el botón que desea utilizar para subir el volumen.

GB **7. Indicador de batería**

Quando se enciende el Jabra BT5010 o cuando se pulsa un botón más de 1 minuto después de la última pulsación de un botón, el LED indica el nivel de la batería del auricular.

Lo que ve	Nivel de la batería
4 parpadeos verdes	Carga del 75% - 100%
3 parpadeos verdes	Carga del 50% - 75%
2 parpadeos verdes	Carga del 25% - 50%
1 parpadeo rojo	Carga de menos del 25%

ES **8. Significado de los indicadores**

Lo que ve	Lo que significa para su auricular
Serie de parpadeos	Ver indicador de batería (sección 7)
Luz azul y verde parpadeante	Llamada entrante
Luz azul parpadeante	Parpadea cada segundo: llamada activa
Luz azul parpadeante	Parpadea cada tres segundos: en modo de espera durante 1 minuto solamente, luego se apaga)
Luz roja parpadeante	Batería baja
Luz verde continua	Totalmente cargado
Luz roja continua	Cargando
Luz azul continua	En modo de emparejado (ver sección 3)

NO **9. Uso de un adaptador Bluetooth de Jabra**

Si usted desea utilizar el Jabra BT5010 con un teléfono móvil que no sea Bluetooth, el adaptador Jabra A210 es la solución.

Le ofrece una conexión inalámbrica con las siguientes funciones de auricular: contestar/terminar llamada, marcación por voz (si el teléfono lo permite) y silenciar. Es posible que las funciones rechazo de llamada, remarcado del último número y llamada en espera no sean soportadas a través del conector de auricular del teléfono móvil.

GB Para emparejar el Jabra BT5010 con el Jabra A210

El proceso de emparejado es algo diferente:

- F** • Ponga su Jabra BT5010 en modo de emparejado
- Ponga el Jabra A120 en modo de emparejado
- ES** • Colóquelos lo más cerca posible el uno del otro. No necesita un código PIN específico para emparejar los dos productos Jabra. Consulte el manual de usuario del adaptador Jabra A210 si desea más información.

PT
DE
IT
NL
SU
NO
SE
DK
GR
Cómo hacer/contestar una llamada usando el Jabra A210

- Cuando usted hace una llamada desde su teléfono móvil, la llamada será transferida automáticamente al auricular (si está encendido).
- Para contestar una llamada: pulse brevemente el botón contestar/terminar de su teléfono móvil, abra el brazo extensible o pulse el botón contestar del teléfono móvil

10. Solución de problemas y Preguntas frecuentes

Oigo 'crujidos'

- Para obtener la mejor calidad de audio, lleve siempre el auricular en el mismo lado del cuerpo que el teléfono móvil.

No oigo nada en el auricular

- Aumente el volumen del auricular
- Asegúrese de que el auricular está emparejado con el teléfono
- Asegúrese de que el teléfono está conectado con el auricular – si no se conecta desde el menú Bluetooth del teléfono, o pulsando brevemente en el botón contestar/terminar, realice el procedimiento de emparejado (*Ver sección 3*)

Tengo problemas de emparejado, aunque mi teléfono indica lo contrario

- Es posible que haya borrado la conexión de emparejado con el auricular de su teléfono móvil. Siga las instrucciones de emparejado de la sección 3

¿Funciona el Jabra BT5010 con otros equipos Bluetooth?

- El Jabra BT5010 está diseñado para funcionar con teléfonos móviles Bluetooth. También puede funcionar con otros dispositivos Bluetooth que sean compatibles con la especificación Bluetooth versión 1.1, 1.2 ó 2.0 y que soporten el perfil de auricular y/o manos libres.

No puedo utilizar rechazar llamada, llamada en espera, remarcado o marcación por voz

- Estas funciones dependen del soporte ofrecido por su teléfono. Consulte el manual de usuario de su teléfono si desea más información.

11. ¿Necesita más ayuda?

Jabra ofrece a sus clientes ayuda en línea en www.jabra.com; en el interior de la portada encontrará también datos de la asistencia al cliente de su país.

12. Cuidados del auricular

- Guarde siempre el Jabra BT5010 apagado y en un lugar seguro.
- Evite guardarlo en lugares con temperaturas extremas (por encima de 45°C/113°F – incluyendo luz solar directa – o por debajo de -10°C/14°F). Esto puede acortar la vida de la pila y puede afectar al funcionamiento. Las altas temperaturas también pueden reducir el rendimiento.
- No exponga el Jabra BT5010 a la lluvia o a otros líquidos.

13. Garantía

Jabra (GN Netcom) garantiza este producto respecto a cualquier defecto de materiales y mano de obra por un periodo de dos años a partir de la fecha de la compra original. Las condiciones de esta garantía y nuestras responsabilidades bajo esta garantía se detallan a continuación:

- La garantía está limitada al comprador original
- Se requiere una copia de la factura u otra prueba de compra
- La garantía será nula si se retira el número de serie, la etiqueta con código de fecha o la etiqueta del producto, o si el producto ha sido sometido a abuso físico, o a instalación, modificación o reparación incorrecta por terceros no autorizados
- La responsabilidad de Jabra (GN Netcom) queda limitada a la reparación o sustitución del producto a su sola discreción
- Cualquier garantía implícita sobre los productos de Jabra (GN Netcom) está limitada al periodo de dos años a partir de la fecha de la compra respecto a todas las piezas, incluyendo cualesquiera cables y conectores
- Se excluyen específicamente de cualquier garantía aquellos componentes consumibles de vida limitada sujetos al desgaste normal, tales como cortavientos de micrófonos, almohadillas de auriculares, acabados decorativos, pilas y otros accesorios
- Jabra (GN Netcom) no será responsable de cualquier daño incidental o consecuente que surja del uso o mal uso de cualquier producto de Jabra (GN Netcom)
- Esta garantía le otorga a usted derechos legales específicos, y es posible que usted tenga otros derechos que varían de un lugar a otro

- A menos que se indique lo contrario en el Manual del usuario, el usuario no puede bajo circunstancia alguna intentar realizar tareas de mantenimiento, ajustes o reparaciones de esta unidad, esté dentro o fuera de garantía. Debe ser devuelta al punto de venta, a la fábrica o a una agencia de servicio autorizado para la realización de dichos trabajos
- Jabra (GN Netcom) no será responsable de pérdida o daño alguno que se produzca durante el transporte. Cualquier trabajo de reparación sobre los productos de Jabra (GN Netcom) por terceros no autorizados anula cualquier garantía

14. Certificación y homologaciones de seguridad

CE

Este producto lleva la marca CE de acuerdo con las provisiones de la Directiva 1999/5/CE sobre RTTE. Por el presente, GN Netcom declara que este producto cumple los requisitos esenciales y otras provisiones pertinentes de la Directiva 1999/5/CE.

Para más información por favor consulte www.jabra.com

Dentro de la UE, este dispositivo está destinado para su uso en Austria, Bélgica, Chipre, República Checa, Dinamarca, Estonia, Finlandia, Francia, Alemania, Grecia, Hungría, Irlanda, Italia, Letonia, Lituania, Luxemburgo, Malta, Polonia, Portugal, Eslovaquia, Eslovenia, España, Suecia, Países Bajos, Reino Unido y en los países de la AELC en Islandia, Noruega y Suiza.

Bluetooth

La marca literal y los logotipos Bluetooth® son propiedad de Bluetooth SIG. Inc, y cualquier uso de dichas marcas por GN Netcom se hace bajo licencia. Otras marcas y nombres comerciales son propiedad de sus respectivos titulares.

15. Glosario

Bluetooth es una tecnología de radio que conecta dispositivos tales como teléfonos móviles y auriculares, sin cables, a distancias cortas (aproximadamente 10 metros). Puede encontrar más información en www.bluetooth.com

Los **perfiles Bluetooth** son las diferentes maneras en que los dispositivos Bluetooth se comunican con otros dispositivos. Los teléfonos Bluetooth soportan el perfil de auricular, el perfil manos libres o ambos. A fin de ofrecer soporte para un perfil determinado, un fabricante de teléfonos tiene que implementar determinadas características obligatorias en el software del teléfono.

El **emparejado** crea un enlace exclusivo y encriptado entre dos dispositivos Bluetooth y permite que se comuniquen entre sí. Los dispositivos Bluetooth no funcionarán si no han sido emparejados

El **código secreto o PIN** es un código que se debe introducir en el teléfono Bluetooth (por ejemplo, un teléfono móvil) para emparejarlo con el Jabra BT5010. Esto permite que su dispositivo y el Jabra BT5010 se reconozcan y funcionen juntos automáticamente.

El **Modo de espera** es cuando el Jabra BT5010 está esperando pasivamente una llamada. Cuando usted 'termina' una llamada en su teléfono móvil, su auricular pasa al modo de espera.



Este producto debe desecharse según los estándares y normativas locales.

www.jabra.com/weee

Jabra BT5010 Bluetooth headset

GB

F

ES

PT

DE

IT

NL

SU

NO

SE

DK

GR

Português

GB

F

ES

PT

DE

IT

NL

SU

NO

SE

DK

GR

Obrigado	38
Acerca dos Jabra BT5010	38
O que os novos auscultadores podem fazer	39
INTRODUÇÃO	39
1. Carregar os auscultadores	40
2. Ligar e desligar os auscultadores	40
3. Sintonizar com o telefone	40
4. Usá-los como gosta	41
5. O braço deslizante boom	41
6. Como	41
7. Indicador de bateria	43
8. O que significam as luzes	43
9. Utilizar um adaptador Jabra Bluetooth	44
10. Resolução de problemas e perguntas frequentes	44
11. Precisa de mais ajuda?	45
12. Cuidar dos auscultadores	45
13. Garantia	46
14. Certificação e aprovações de segurança	47
15. Glossário	48

GB Obrigado

Obrigado por ter adquirido os auscultadores Jabra BT5010 Bluetooth. Esperamos que tire o maior partido dele! Este manual de instruções vai instruí-lo para que possa tirar o maior partido dos seus auscultadores.

F

ES

PT

Lembre-se, a condução está em primeiro lugar, não a chamada!

DE

Utilizar um telemóvel durante a condução pode distraí-lo e aumentar as probabilidades de ter um acidente. Se as condições de condução o exigirem (como, por exemplo, mau tempo, muito trânsito, presença de crianças no automóvel, condições difíceis da estrada), encoste e pare antes de fazer ou receber chamadas. Além disso, tente que as conversas sejam curtas e não tente tirar apontamentos nem ler documentos.

IT

NL

SU

Conduza sempre em segurança e cumpra a legislação local.

NO

Acerca dos Jabra BT5010

SE

1 Botão atender/terminar

2 Conector de carregamento

3 Auricular

4 Aumentar volume (predefinido)

5 Reduzir volume (predefinido)

6 Indicador luminoso (LED)

7 Braço deslizante boom

8 Microfone

9 Botão de ligar/desligar sintonia

10 Altifalante

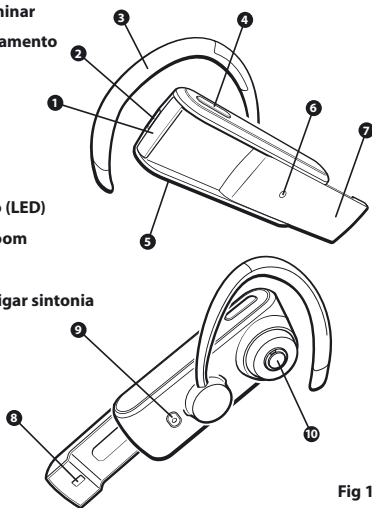


Fig 1

O que os novos auscultadores podem fazer

GB

O Jabra BT5010 permite-lhe fazer tudo isto:

F

- Atender chamadas
- Terminar chamadas
- Rejeitar chamadas*
- Marcação por voz*
- Remarcação do último número*
- Chamada em espera*
- Suspender chamada*
- Silenciar
- Activar/desactivar vibração

ES

PT

DE

IT

NL

SU

* Depende do modelo do telefone

Especificações

- Tempo de conversação até 10 horas/tempo em espera até 240 horas
- Bateria recarregável com opção de carregamento de carregador CA, PC através de cabo USB ou carregador de viagem (não incluído)
- Peso 20 gramas
- Indicador de bateria
- Alcance de funcionamento até 10 metros (aproximadamente 33 pés)
- Perfis Bluetooth de auscultadores e alta-voz
- Especificações Bluetooth (ver glossário) versão 2.0

NO

SE

DK

GR

INTRODUÇÃO

Os Jabra BT5010 são fáceis de utilizar. O botão atender/terminar nos auscultadores realiza as diferentes funções dependendo da duração da pressão que nele realiza:

Instrução	Duração da pressão
Tocar	Premir brevemente
Premir	Aprox: 1 segundo
Premir sem soltar	Aprox: 5 segundos

1. Carregar os auscultadores

Certifique-se de que os auscultadores Jabra BT5010 são totalmente carregados durante duas horas antes de o começar a usar. Utilize o adaptador CA para carregar a partir de uma tomada ou carregar directamente a partir do PC com o cabo USB fornecido. Utilize apenas o carregador fornecido na caixa – não utilize carregadores de outros dispositivos uma vez que poderiam danificar os Jabra BT5010.

Ligue os auscultadores como indicado na **fig 2**. Quando o indicador LED estiver vermelho fixo, os auscultadores estão a carregar. Quando o LED muda para verde, está totalmente carregado.


2. Ligar e desligar os auscultadores

- **Prima** o botão de ligar/desligar/sintonia nos auscultadores (**ver fig 1**). O LED mostra o estado da bateria para indicar se o Jabra BT5010 está ligado (**ver secção 7**).
- **Prima** o botão de ligar/desligar/sintonia para desligar os auscultadores até ver várias luzes a piscar.

3. Sintonizar com o telefone

Antes de utilizar os Jabra BT5010, tem de os sintonizar com o telemóvel.

1. Coloque os auscultadores no modo de sintonia

- Certifique-se de que estão desligados.
- **Prima** o botão de ligar/desligar/sintonia marcado com  até que o LED indicador esteja azul fixo.

2. Defina o telefone Bluetooth para 'descobrir' os Jabra BT5010

Siga o guia de instruções do telefone. Isto habitualmente envolve ir a um menu 'configuração', 'ligação' ou 'Bluetooth' **no seu telefone** e seleccionar a opção 'descobrir' ou 'adicionar' um dispositivo Bluetooth.* (**Ver exemplo de um telemóvel típico na fig. 3**).

3. O telefone vai encontrar os Jabra BT5010

Em seguida, o telefone pergunta se deseja sintonizar. Aceite premindo 'Sim' ou 'OK' no telefone e confirme com a **palavra-passe ou PIN = 0000 (4 zeros)**. O seu telefone confirma quando a sintonia estiver concluída. Em caso de falha na sintonia, repita os passos 1 a 3.

4. Usá-los como gosta

Os Jabra BT5010 estão prontos para ser usados na sua orelha direita. Se preferir a esquerda, retire o auricular e rode-o e insira-o como indicado (**Ver fig. 4**).

Para um desempenho ideal, utilize os Jabra BT5010 e o seu telemóvel no mesmo lado do corpo ou em linha recta. Em geral, obtém-se um melhor desempenho quando não há obstruções entre os auscultadores e o telemóvel (**Ver fig 5**).

5. O braço deslizante boom

O braço deslizante boom é utilizado para atender e terminar chamadas, mas também oferece uma melhor qualidade de áudio quando esticado.

Para atender uma chamada, basta estender o braço boom para uma posição aberta e para terminar a chamada deslize o braço boom novamente para a posição fechada.

Os Jabra BT5010 podem, claro, ser utilizados com o braço boom em ambas as posições, mas oferecem uma melhor qualidade de áudio quando na posição aberta.

6. Como...

Atender uma chamada

- **Toque** no botão atender/terminar nos auscultadores para atender uma chamada
- or
- **Abra** o braço deslizante boom para atender a chamada

Terminar uma chamada

- **Toque** no botão atender/terminar para terminar a chamada activa
- or
- **Fech**e o braço deslizante boom para terminar a chamada activa

Fazer uma chamada

- Quando faz uma chamada a partir do telemóvel, a chamada é (dependendo das definições do telemóvel) automaticamente transferida para os auscultadores. Se o seu telefone não permitir esta função, toque no botão atender/terminar dos Jabra BT5010 para transferir a chamada para os auscultadores.

GB **Rejeitar uma chamada***

- **Prima** o botão atender/terminar quando o telefone toca para rejeitar uma chamada. Dependendo das definições do telefone, a pessoa que ligou é encaminhada para a caixa de mensagens ou ouve um sinal de ocupado.

F

ES

Activar a marcação por voz*

- **Toque** no botão de atender/terminar. Para melhores resultados, grave a senha para a marcação por voz através dos auscultadores. Consulte o manual do utilizador do telefone para mais informações sobre a utilização desta função.

PT

DE

Remarcar o último número*

- **Prima** no botão de atender/terminar.

IT

Ajuste do som e do volume

- **Prima** aumentar volume ou reduzir volume (+ ou -) para ajustar o volume. *(O botão aumentar volume está, por predefinição, na parte superior dos auscultadores quando utilizados na orelha direita).*
- Para silenciar, **prima ambos** os botões de aumentar e reduzir volume ao mesmo tempo. Um som grave avisa as reproduções durante uma chamada silenciada.
- Para anular o silenciar, **toque** em qualquer dos botões de volume.

NL

SU

NO

SE

Chamada em espera e suspender uma chamada*

Esta função permite suspender uma chamada durante uma conversa e atender uma chamada em espera.

- **Prima** o botão atender/chamar para suspender a chamada activa e atender a chamada em espera.
- **Prima** o botão atender/terminar para alternar entre as duas chamadas.
- **Toque** no botão atender/terminar para terminar a conversa activa.

* As funções marcadas com * dependem se o telefone suporta estas funções. Verifique o manual de utilizador do telefone para mais informações.

DK

GR

Activar/desactivar vibração

- **Prima sem soltar** ambos os botões de volume no modo em espera.

Botões de volume

Para alterar a orientação dos botões de volume (a predefinição é para a orelha direita)

- **Prima sem soltar** o botão atender/terminar no modo em espera e **toque** no botão desejado.

7. Indicador de bateria

Quando os Jabra BT5010 estão ligados ou é premido qualquer botão durante mais de 1 minuto após a última pressão de botão, o LED indica o nível de bateria dos auscultadores.

O que vê	Nível de bateria
4 piscadelas verdes	75% - 100% carga
3 piscadelas verdes	50% -75% carga
2 piscadelas verdes	25% -50% carga
1 piscadela vermelha	Menos de 25% de carga

GB

F

ES

PT

DE

IT

NL

SU

NO

SE

DK

GR

8. O que significam as luzes

O que vê	O que isto significa para os auscultadores
Série de piscadelas	Ver indicador de bateria (secção 7)
Luz a piscar a azul e verde	Chamada a chegar
Luz azul a piscar	A piscar a cada 1 segundo: chamada activa
Luz azul a piscar	Intermitente em cada três segundos: no modo em espera (apenas durante 1 minuto e em seguida desliga)
Luz vermelha a piscar	Bateria fraca
Luz verde fixa	Carga completa
Luz vermelha fixa	A carregar
Luz azul fixa	No modo de sintonia (ver secção 3)

9. Utilizar um adaptador Jabra Bluetooth

Se deseja utilizar os Jabra BT5010 com um telemóvel que não possua Bluetooth, o adaptador Jabra A210 é a resposta.

Oferece uma ligação sem fios com a seguinte funcionalidade de auscultadores: atender/terminar chamada, função de marcação por voz (se suportada pelo telefone) e silenciar. Rejeitar uma chamada, remarcar último número e suspender uma chamada podem não ser funções suportadas através da ficha dos auscultadores no telemóvel.

Para sintonizar os Jabra BT5010 com o Jabra A210

O processo de sintonia é ligeiramente diferente:

- Coloque os Jabra BT5010 no modo de sintonia
- Coloque o Jabra A210 no modo de sintonia
- Coloque-os juntos. Não necessita de um código pin dedicado para sintonizar os dois produtos Jabra. Consulte o manual do utilizador do adaptador Jabra A210 para mais informações.

Fazer/atender uma chamada quando utiliza o Jabra A210

- Quando faz uma chamada a partir do telemóvel, a chamada é automaticamente transferida para os auscultadores (se estiverem ligados)
- Para atender uma chamada: toque no botão atender/terminar nos auscultadores, abra o braço boom?? Ou prima o botão atender no telemóvel

10. Resolução de problemas e perguntas frequentes

Oiço ruídos de estalos

- Para uma melhor qualidade de áudio, utilize sempre os auscultadores do mesmo lado do corpo em que usa o telemóvel

Não oiço nada nos auscultadores

- Aumente o volume nos auscultadores
- Assegure-se de que os auscultadores estão sintonizados com o telefone
- Certifique-se que o telefone está ligado aos auscultadores – se não ligar através do menu Bluetooth do telefone ou tocando no botão atender/terminar, siga o procedimento de sintonia (**Ver secção 3**).

Tenho problemas de sintonia, mesmo quando o telefone indica o contrário

- Pode ter eliminado a ligação de sintonia dos auscultadores no seu telemóvel. Siga as instruções de sintonia na secção 3.

Os Jabra BT5010 funcionam com outros equipamentos Bluetooth?

- Os Jabra BT5010 foram concebidos para funcionar com telemóveis Bluetooth. Também podem funcionar com outros dispositivos Bluetooth que sejam compatíveis com a versão Bluetooth 1.1, 1.2 ou 2.0 e suportem perfil de auscultadores e/ou alta-voz.

Não consigo utilizar a função rejeitar chamada, suspender chamada, remarcar ou marcação por voz

- Estas funções dependem de o telefone as suportar ou não. Consulte o manual do telefone para mais informações.

11. Precisa de mais ajuda?

A Jabra oferece aos clientes um suporte online em www.jabra.com ou, na parte interior da capa, pode obter informações sobre o suporte no seu país.

12. Cuidar dos auscultadores

- Guarde sempre os Jabra BT5010 com a energia desligada e bem protegidos.
- Evite guardar em locais com temperaturas extremas (acima de 45°C/113°F – incluindo a incidência directa de raios solares – ou abaixo de -10°C/14°F). Pode diminuir a duração das pilhas e pode afectar o funcionamento. As temperaturas elevadas também podem afectar o desempenho.
- Não exponha os Jabra BT5010 à chuva ou outros líquidos.

GB 13. Garantia

A Jabra (GN Netcom) garante este produto contra todos os defeitos de fabrico e material durante o período de dois anos a contar da data de aquisição original. Seguem-se as condições desta garantia e as nossas responsabilidades ao abrigo desta mesma garantia:

- A garantia está limitada ao comprador original
- Tem de apresentar uma cópia do recibo ou outra prova de compra
- A garantia será anulada se retirar o número de série, a etiqueta do código da data ou a etiqueta do produto ou se o produto tiver sofrido abuso físico, instalação imprópria, modificações ou reparações por parte de terceiros não autorizados
- A responsabilidade pelos produtos da Jabra (GN Netcom) está limitada à reparação ou substituição do produto, segundo decisão exclusiva da Jabra
- Todas as garantias implícitas dos produtos Jabra (GN Netcom) estão limitadas a dois anos, a contar da data de aquisição de todas as peças, incluindo todos os cabos e conectores
- Especificamente isentos de qualquer garantia estão os consumíveis com duração limitada sujeitos ao desgaste normal da utilização, como as protecções anti-vento do microfone, as almofadas dos ouvidos, os elementos decorativos, as pilhas e outros acessórios
- A Jabra (GN Netcom) não se responsabiliza por quaisquer danos accidentais ou consequenciais, resultantes do uso ou utilização indevida de qualquer produto Jabra (GN Netcom)
- Esta garantia fornece direitos específicos, sendo que o utilizador poderá ter outros direitos que podem variar conforme a região
- Salvo indicação em contrário no Manual do utilizador, o utilizador não pode, em nenhuma circunstância, efectuar a manutenção, nem fazer ajustes ou reparações neste produto, dentro ou fora do prazo da garantia. Para tais trabalhos, o produto tem de ser devolvido ao local de aquisição, à fábrica ou a um centro de assistência autorizado
- A Jabra (GN Netcom) não assume nenhuma responsabilidade por quaisquer perdas ou danos incorridos durante o envio. Qualquer garantia será anulada se forem efectuados trabalhos de reparação em produtos da Jabra (GN Netcom) por terceiros não autorizados

14. Certificação e aprovações de segurança

CE

Este produto tem a marca CE, de acordo com o estabelecido na Directiva R & TTE (1999/5/CE). No presente documento, a GN Netcom declara que este produto está em conformidade com os requisitos essenciais e outras disposições relevantes da Directiva 1999/5/CE.

Para obter mais informações, visite o site www.jabra.com

Na UE, este dispositivo destina-se a ser utilizado na Áustria, Bélgica, Chipre, República Checa, Dinamarca, Estónia, Finlândia, França, Alemanha, Grécia, Hungria, Irlanda, Itália, Letónia, Lituânia, Luxemburgo, Malta, Polónia, Portugal, Eslováquia, Eslovénia, Espanha, Suécia, Holanda, Reino Unido e, na EFTA, na Islândia, Noruega e Suíça

Bluetooth

A marca Bluetooth® e os logótipos são propriedade da Bluetooth SIG, Inc. e para utilizar qualquer uma destas marcas necessita de uma licença da GN Netcom. Outras marcas comerciais e nomes de marcas pertencem aos respectivos proprietários.

GB 15. Glossário

F **Bluetooth** é uma tecnologia de rádio que liga dispositivos como, por exemplo, telemóveis e auscultadores, sem fios ou cabos numa curta distância (aprox. 10 metros). Obtenha mais informações em www.bluetooth.com

ES Os perfis **Bluetooth** são as diferentes formas com as quais os dispositivos Bluetooth comunicam com outros dispositivos. Os telefones Bluetooth suportam quer o perfil de auscultadores quer o de alta-voz ou ambos.

DE Para suportar um determinado perfil, o fabricante de um telefone tem de implementar determinadas funcionalidades obrigatórias no software do telefone.

IT **Sintonizar** cria uma ligação única e codificada entre dois dispositivos Bluetooth e permite-lhe comunicar entre si. Os dispositivos Bluetooth não funcionam se os dispositivos não tiverem sido sintonizados.

NL **Palavra-passe ou PIN** é um código que introduz no dispositivo com Bluetooth (por exemplo, um telemóvel) para sintonizar com os Jabra BT5010. Isto faz com que o dispositivo e os Jabra BT5010 se reconheçam mutuamente e automaticamente funcionem juntos.

SU **O modo em espera** é quando os Jabra BT5010 estão, de forma passiva, à espera de uma chamada. Quando 'termina' uma chamada no telemóvel, os auscultadores entram no modo em espera.

DK

GR



Elimine o produto de acordo com os padrões e regulamentações locais. www.jabra.com/weee

Deutsch

GB Dankschön 50

F Über Ihr Jabra BT5010..... 50

ES Was Ihr neues Headset alles kann..... 51

PT INBETRIEBNAHME..... 51

DE 1. Aufladen Ihres Headsets..... 52

IT 2. Ein- und Ausschalten Ihres Headsets 52

NL 3. Das Paaren mit Ihrem Telefon..... 52

SU 4. Tragen Sie es so wie Sie möchten 53

NO 5. Der ausziehbare Mikrofonbügel 53

SE 6. Wie Sie..... 54

DK 7. Akku-Anzeige..... 55

GR 8. Erläuterungen der Leuchtanzeigen:..... 56

9. Verwendung des Jabra Bluetooth-Adapters 56

10. Troubleshooting und FAQ..... 57

11. Sie haben weitere Fragen?..... 57

12. Sachgemäßer Umgang mit Ihrem Headset 58

13. Garantieleistungen..... 58

14. Zertifizierung und Sicherheitskonformität..... 59

15. Glossar..... 60

GB **Dankeschön**

F Vielen Dank, dass Sie das Jabra BT5010 Bluetooth-Headset gekauft haben. Wir hoffen, dass Sie viel Spaß damit haben werden! Diese Anleitung hilft Ihnen bei der Inbetriebnahme Ihres Headsets und bei der Nutzbarmachung aller seiner Möglichkeiten.

PT **Bitte denken Sie stets daran: Zuerst kommt die Verkehrssicherheit und dann das Telefonieren!**

DE Das Benutzen eines Mobiltelefons während dem Autofahren kann Sie ablenken und die Unfallgefahr erhöhen. Wenn die Umstände es erfordern (schlechte Sicht, hohes Verkehrsaufkommen, Kinder im Auto, schlechte Straßenverhältnisse), unterbrechen Sie die Fahrt, bevor Sie Ihre Anrufe tätigen. Fassen Sie sich außerdem kurz und machen Sie keine Notizen oder lesen Sie nicht, während Sie fahren.

SU **Pflegen Sie stets einen sicheren Fahrstil und halten Sie sich an die Verkehrsregeln.**

SE **Über Ihr Jabra BT5010**

- DK **1 Anrufentgegennahme-/Auflegentaste**
- GR **2 Ladestecker**
- 3 Ohrbügel**
- 4 Lautstärke erhöhen (Voreinstellung)**
- 5 Lautstärke verringern (Voreinstellung)**
- 6 LED-Leuchtanzeige**
- 7 Ausziehbarer Mikrofonbügel**
- 8 Mikrophon**
- 9 An/Aus-Paarungstaste**
- 10 Lautsprecher**

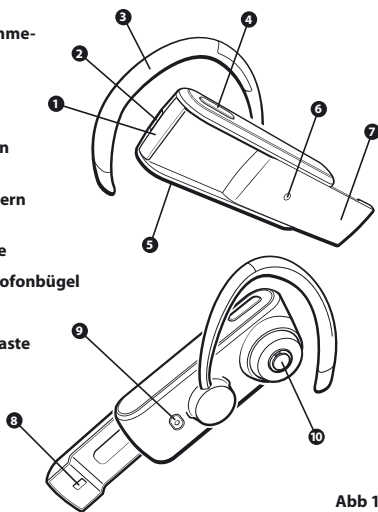


Abb 1

Was Ihr neues Headset alles kann

Ihr Jabra BT5010 verfügt über folgende Funktionen:

- Anrufentgegennahme
- Anruf beenden
- Anruf ablehnen*
- Sprachwahl*
- Wahlwiederholung*
- Anklöpfen*
- Anruf in Warteschleife legen*
- Stummschaltung
- Vibrator ein- und ausschalten

* Je nach Telefontyp

Spezifikationen

- Bis zu 10 Stunden Sprechzeit / Standby bis zu 240 Stunden
- Wiederaufladbarer Akku mit Ladeoptionen über Wechselstromanschluss, über Ihren PC per USB-Kabel oder per Autoladegerät (nicht im Lieferumfang enthalten)
- Gewicht 20 Gramm
- Akku-Anzeige
- Betriebsreichweite bis zu 10 Meter
- Headset und Bluetooth Freisprechprofile
- Bluetooth-Spezifikation (Siehe Glossar) Version 2.0

INBETRIEBNAHME

Der Betrieb des Jabra BT5010 ist kinderleicht. Mit der Anrufentgegennahme-/Auflegentaste führen Sie verschiedene Funktionen aus, je nach dem, wie lange Sie die Taste gedrückt halten.

Aktion	Tastendruckdauer
Antippen der Taste	Taste kurz drücken
Taste drücken	ungefähr 1 Sekunde lang
Taste gedrückt halten	ungefähr 5 Sekunden lang

GB 1. Aufladen Ihres Headsets

F Vor Gebrauch Ihres Jabra BT5010 müssen Sie das Headset zwei Stunden lang aufladen. Benutzen Sie den Wechselstromadapter zum Aufladen über eine Steckdose oder laden Sie das Gerät mit Hilfe des mitgelieferten USB-Kabels direkt über Ihren PC auf. Benutzen Sie nur das in der Verpackung mitgelieferte Ladekabel. Benutzen Sie auf keinen Fall Ladevorrichtungen von anderen Geräten. Dies kann zur Beschädigung Ihres BT5010 führen.

ES
PT
DE Schließen Sie Ihr Headset wie in **Abb. 2** gezeigt an. Wenn die LED rot aufleuchtet, läuft der Ladevorgang. Bei Aufleuchten der grünen LED ist das Gerät voll aufgeladen.

IT


NL 2. Ein- und Ausschalten Ihres Headsets

- SU • **Drücken** Sie die Ein/Aus-Paarungstaste, um Ihr Headset einzuschalten (**siehe Abb. 1**). Die LED zeigt den Ladestatus des Akku und dass das Jabra BT5010 eingeschaltet ist (**siehe Abschnitt 7**).
- NO • Zum Ausschalten Ihres Headset **drücken** Sie die Ein/Aus-Paarungstaste, bis die Kontrollleuchte in einem schnellen Takt blinkt.

SE

DK 3. Das Paaren mit Ihrem Telefon

GR Vor Gebrauch des Jabra BT5010 müssen Sie es mit Ihrem Mobiltelefon paaren.

1. **Schalten Sie das Headset in den Paarungsmodus**
 - Vergewissern Sie sich, dass das Headset ausgeschaltet ist.
 - **Drücken** Sie die Ein/Aus-Paarungstaste mit der Kennzeichnung  bis die LED-Leuchtanzeige blau aufleuchtet.
2. **Stellen Sie Ihr Bluetooth-Telefon entsprechend ein, um die Verbindung zum Jabra BT5010 aufzubauen**

Folgen Sie dazu den Anweisungen in der Benutzeranleitung Ihres Mobiltelefons. Im Normalfall müssen Sie zu diesem Zweck ein Setup-Menü bzw. eine „Connect“- oder „Bluetooth“-Funktion an Ihrem Mobiltelefon aufrufen und die Option „Discover“ oder „Hinzufügen (Add)“ eines Bluetooth-Geräts auswählen* (**Siehe Beispiel anhand eines typischen Mobiltelefons in Abb. 3**).

GB 3. Ihr Mobiltelefon stellt daraufhin eine Verbindung zu Ihrem Jabra BT5010 her

F Auf Ihrem Mobiltelefon erscheint daraufhin die Abfrage, ob Sie es mit Ihrem Headset paaren wollen. Antworten Sie mit „Ja“ oder „Okay“ und bestätigen Sie die Eingabe mit dem **Passkey oder der PIN = 0000 (4 Nullen)**. Ihr Mobiltelefon bestätigt dann den erfolgreichen Paarungsvorgang mit einer Meldung. Sollte das Paaren beim ersten Versuch fehlschlagen, wiederholen Sie die Schritte 1 bis 3.

GB

F

ES

PT

DE

4. Tragen Sie es so wie Sie möchten

IT Das Jabra BT5010 ist für das Tragen am rechten Ohr voreingestellt. Wenn Sie es lieber am linken Ohr tragen möchten, ziehen Sie den Ohrbügel heraus und setzen Sie ihn umgekehrt wie in **Abb. 4** gezeigt wieder ein.

IT

NL

SU Um eine optimale Send- und Empfangsleistung zu erhalten, tragen Sie Ihr Jabra BT5010 und Ihr Mobiltelefon auf derselben Körperseite bzw. sorgen Sie für eine hindernisfreie Distanz zwischen den beiden Geräten. Im Allgemeinen gilt, dass Sie eine bessere Send- und Empfangsleistung erhalten, wenn zwischen Headset und Mobiltelefon keine physischen Hindernisse bestehen (**Siehe Abb. 5**).

SU

NO

SE

DK

5. Der ausziehbare Mikrofonbügel

GR Der ausziehbare Mikrofonbügel dient zur Entgegennahme und zum Beenden von Anrufen. Außerdem verbessert er in ausgefahrenem Zustand die Tonqualität.

Zur Entgegennahme eines eingehenden Anrufs ziehen Sie den Mikrofonbügel einfach in die geöffnete Position. Zum Beenden fahren Sie ihn in die geschlossene Position zurück.

Das Jabra BT5010 ist selbstverständlich in beiden Stellungen funktionsfähig. Eine bessere Audioqualität erhalten Sie allerdings, wenn sich der Mikrofonbügel in der offenen Position befindet.

GR

6. Wie Sie ...

ein Anruf entgegen nehmen

- **Tippen** Sie die Anrufentgegennahme-/Auflegentaste **an**, um einen Anruf entgegenzunehmen oder
- **öffnen** Sie zu diesem Zweck den ausziehbaren Mikrofonbügel

einen Anruf beenden

- **Tippen** Sie die Anrufentgegennahme-/Auflegentaste **an**, um einen Anruf zu beenden oder
- **fahren** Sie zu diesem Zweck den ausziehbaren Mikrofonbügel wieder **ein**

ein Telefongespräch führen

- Wenn Sie von Ihrem Mobiltelefon aus einen Anruf starten, wird dieser automatisch zu Ihrem Headset übertragen (abhängig von Ihren Mobiltelefon-Einstellungen). Wenn Ihr Mobiltelefon diese Einstellung nicht unterstützt, tippen Sie einfach die Anrufentgegennahme-/Auflegentaste an, um den Anruf an Ihr Headset weiterzuleiten.

einen Anruf abweisen*

- Wenn Sie einen eingehenden Anruf abweisen wollen, **drücken** Sie die Anrufentgegennahme-/Auflegentaste. Je nach den Einstellungen Ihres Telefons wird der Anrufer entweder an Ihre Voicemail weitergeleitet oder ein Besetztsymbol hören.

die Sprachwahl* aktivieren

- **Tippen** Sie die Anrufentgegennahme-/Auflegentaste **an**. Zur optimalen Nutzung dieser Funktion nehmen Sie die Sprachwahlsequenz über Ihr Headset auf. Eine genaue Beschreibung dieses Features finden Sie im Benutzerhandbuch Ihres Telefons.

die Wahlwiederholung verwenden*

- **Drücken** Sie die Anrufentgegennahme-/Auflegentaste.

Tonqualität und Lautstärke regeln

- **Drücken** Sie die Lautstärketaste (+ oder -), um den Ton lauter oder leiser zu stellen (Die Lautstärke-erhöhen-Taste befindet sich standardmäßig oben am Headset, wenn dieses am rechten Ohr getragen wird).
- Zur Aktivierung der Stummschaltung **drücken** Sie **beide** Lautstärketasten (+ und -) gleichzeitig. Ein leiser Piepton signalisiert die Aktivierung der Stummschaltung.
- Sie deaktivieren die Stummschaltung wieder, indem Sie eine der beiden Lautstärkeregler **antippen**.

die Anklopfen- und Warteschleifefunktionen nutzen*

Mit diesen Funktionen können Sie einen Anrufer in die Warteschleife legen und ein anderes eingehendes Gespräch entgegennehmen.

- **Drücken** Sie einmal die Anrufentgegennahme-/Auflegentaste, um ein laufendes Gespräch in die Warteschleife zu legen und ein weiteres entgegen zu nehmen.
- Um zwischen beiden Gesprächen umschalten zu können, **drücken** Sie die Anrufentgegennahme-/Auflegentaste.
- **Tippen** Sie die Anrufentgegennahme-/Auflegentaste an, um das aktive Gespräch zu beenden.

* Funktionen, die mit * gekennzeichnet sind, sind nur verfügbar, wenn Ihr Telefon diese unterstützt. Schlagen Sie zu diesem Zweck bitte im Benutzerhandbuch Ihres Telefons nach.

Vibrator ein- und ausschalten

- Im Standby-Modus **halten** Sie beide Lautstärketasten **gedrückt**.

Lautstärketasten

Um die Richtung der Lautstärketasten zu ändern (die standardmäßige Einstellung ist für das Tragen am rechten Ohr ausgelegt)

- **Halten** Sie im Standby-Modus die Anrufentgegennahme-/Auflegentaste **gedrückt** und **tippen** Sie die für die Erhöhung der Lautstärke gewünschte Taste **an**.

7. Akku-Anzeige

Wenn das Jabra BT5010 eingeschaltet ist oder eine Taste länger als 1 Minute nach dem zuletzt erfolgten Tastendruck gedrückt wird, dann zeigt die LED den Akku-Ladezustand des Headsets an.

Leuchtanzeige	Akku-Ladezustand
4-maliges Blinken der grünen Leuchte	75% - 100% Ladezustand
3-maliges Blinken der grünen Leuchte	50% - 75% Ladezustand
2-maliges Blinken der grünen Leuchte	25% - 50% Ladezustand
1-maliges Blinken der roten Leuchte	Ladezustand unter 25%

8. Erläuterungen der Leuchtanzeigen

Leuchtanzeige	Funktionsbedeutung
Mehrmaliges Blinken der LED	Siehe Batterieanzeige (Abschnitt 7)
Blinkende blaue und grüne Leuchte	Eingehender Anruf
Blinkende blaue Leuchte	Blinken im Sekundenrhythmus: Laufendes Gespräch
Blinkende blaue Leuchte	Blinkt alle drei Sekunden: Gerät ist im Standby-Modus (nur eine Minute lang – danach ist das Gerät ausgeschaltet)
Blinkende rote Leuchte	Ladezustand des Akku ist niedrig
Grünes Aufleuchten	Ladezustand des Akku ist in Ordnung
Rotes Aufleuchten	Ladevorgang
Blaues Aufleuchten	Im Paarmodus befindlich (<i>siehe Abschnitt 3</i>)

9. Verwendung des Jabra Bluetooth-Adapters

Wenn Sie Ihr Jabra BT5010 zusammen mit einem nicht Bluetooth-fähigen Mobiltelefon verwenden möchten, dann benutzen Sie am besten den Jabra A210 Adapter.

Der Jabra A210 Adapter bietet Ihnen eine drahtlose Verbindung mit den folgenden Headset-Funktionen: Anrufentgegennahme / Auflegen, Sprachwahl (soweit vom Telefon unterstützt) und Stummschaltung. Die Funktionen Anruf ablehnen, Wahlwiederholung und Anruf in die Warteschleife legen werden unter Umständen durch die Headset-Buchse am Mobiltelefon nicht unterstützt.

So paaren Sie das Jabra BT5010 mit dem Jabra A210

Das Paarungsverfahren unterscheidet sich in diesem Fall etwas:

- Schalten Sie Ihr Jabra BT5010 in den Paarungsmodus
- Schalten Sie den Jabra A210 Adapter in den Paarungsmodus
- Positionieren Sie beide Geräte nah zusammen. Sie benötigen nicht extra einen Pincode, um die beiden Jabra-Produkte miteinander zu paaren. Weitere Informationen finden Sie im Benutzerhandbuch Ihres Jabra A210 Adapters.

Einen Anruf tätigen oder entgegennehmen unter gleichzeitiger Verwendung des Jabra A210

- Wenn Sie von Ihrem Mobiltelefon aus einen Anruf starten, wird dieser automatisch zu Ihrem Headset übertragen (wenn dieses eingeschaltet ist).
- Einen Anruf entgegennehmen: Drücken Sie entweder die Anrufentgegennahme-/Auflegentaste an Ihrem Headset oder öffnen Sie den ausziehbaren Mikrofonbügel bzw. drücken Sie die Anrufentgegennahmetaste an Ihrem Mobiltelefon.

10. Troubleshooting und FAQ

Ich höre Knistergeräusche

- Die beste Audioqualität erhalten Sie, wenn Sie Ihr Headset auf derselben Körperseite tragen, auf der sich auch Ihr Mobiltelefon befindet.

Im Headset ist kein Ton zu hören

- Stellen Sie den Lautstärkereglern am Headset höher
- Überprüfen Sie, ob das Headset mit dem Telefon gepaart ist.
- Vergewissern Sie sich, dass das Telefon mit dem Headset verbunden ist. Falls sie die Geräte nicht über das Bluetooth-Menü Ihres Mobiltelefons oder durch Antippen der Anrufentgegennahme-/Auflegentaste verbinden können, folgen Sie bitte den in **Abschnitt 3 beschriebenen** Paarungsanweisungen.

Es treten Probleme bei der Paarungsfunktion auf, obwohl mein Telefon die erfolgte Paarung anzeigt

- Möglicherweise haben Sie Ihre Headset-Paarungsverbindung in Ihrem Mobiltelefon gelöscht. Folgen Sie den in Abschnitt 3 beschriebenen Paarungsanweisungen.

Funktioniert das Jabra BT5010 auch mit anderen Bluetooth-Geräten?

- Das Jabra BT5010 ist für die Verwendung mit Bluetooth-Mobiltelefonen ausgelegt. Es funktioniert aber auch mit anderen Bluetooth-Geräten, die mit den Bluetooth-Versionen 1.1, 1.2 oder 2.0 kompatibel sind und ein Headset und/oder ein Freisprechprofil unterstützen.

Ich kann die Funktionen Anruf ablehnen, Anruf in Warteschleife legen, Wahlwiederholung oder Sprachwahl nicht nutzen

- Diese Funktionen müssen von Ihrem Telefon unterstützt werden. Informationen hierzu finden Sie im Benutzerhandbuch Ihres Telefons.

11. Sie haben weitere Fragen?

Jabra bietet einen Kunden-Support im Internet unter www.jabra.com an. Auf der Innenseite des Frontcovers finden Sie weitere Einzelheiten zum Support in Ihrem Land.

12. Sachgemäßer Umgang mit Ihrem Headset

- Bewahren Sie Ihr Jabra BT5010 stets in ausgeschaltetem Zustand und gegen Beschädigung geschützt auf.
- Setzen Sie das Gerät keinen extremen Temperaturen aus (über 45°C oder unter -10°C) und vermeiden Sie die direkte Sonneneinstrahlung auf das Gerät. Dies kann die Lebensdauer der Batterie beeinträchtigen und zu Betriebsstörungen führen. Hohe Temperaturen wirken sich auch negativ auf die Leistungsfähigkeit des Geräts aus.
- Setzen Sie das Jabra BT5010 nicht Regenwasser oder anderen Flüssigkeiten aus.

13. Garantieleistungen

Jabra (GN Netcom) gewährt eine Garantie auf Materialfehler und Fehler in der Ausführung für einen Zeitraum von zwei Jahren ab dem Tag des Erstkaufs. Die Konditionen dieser Garantie und unserer Haftung sind wie folgt:

- Die Garantie beschränkt sich auf den ursprünglichen Käufer
- Als Kaufnachweis benötigen wir eine Kopie Ihrer Quittung
- Die Garantie verfällt, wenn die Seriennummer, der Datumscode oder das Produktschild entfernt wurde sowie bei Missbrauch, unsachgemäßer Installation, Änderung oder Reparatur durch nicht autorisierte Dritte
- Die Haftung für Produkte von Jabra (GN Netcom) beschränkt sich auf die Reparatur oder das Ersetzen von Produkten nach Ermessen des Unternehmens
- Jede implizierte Garantie auf Produkte von Jabra (GN Netcom) beschränkt sich für alle Teile einschließlich der Kabel und Anschlüsse auf zwei Jahre ab dem Kaufdatum
- Ausgenommen von der Garantie sind Verschleißteile mit begrenzter Lebensdauer wie z. B. Mikrofon-Windschutz, Ohrpolster, Zierteile, Akku und anderes Zubehör
- Jabra (GN Netcom) übernimmt keine Haftung für Folgeschäden aufgrund der Benutzung oder des Missbrauchs eines Produktes Jabra (GN Netcom)
- Diese Garantie gibt Ihnen spezielle Rechte und möglicherweise haben Sie andere Rechte, die von Bereich zu Bereich variieren

- Sofern in diesem Benutzerhandbuch nichts anderes angegeben wird, sollte der Benutzer weder vor noch nach Ablauf der Garantiefrist versuchen, Service, Einstellungen oder Reparaturen an diesem Produkt selbst durchzuführen. Es muss für solche Arbeiten an den Händler, den Hersteller oder einen autorisierten Kundendienst zurückgeschickt werden
- Jabra (GN Netcom) haftet nicht für Verlust oder Schäden, die während des Transports entstehen. Sämtliche Reparaturen an Produkten von Jabra (GN Netcom) durch nicht autorisierte Dritte führen dazu, dass die Garantie verfällt

14. Zertifizierung und Sicherheitskonformität

CE

Dieses Produkt hat das CE-Zeichen gemäß der Bestimmungen der Endgeräte Richtlinie (1999/5/EG). Hiermit erklärt GN Netcom, dass dieses Produkt die grundlegenden Anforderungen und andere Bestimmungen der Richtlinie 1999/5/EG erfüllt.

Weitere Informationen finden Sie im Internet unter www.jabra.com

Innerhalb der EU ist dieses Gerät für die Verwendung in Österreich, Belgien, Zypern, der Tschechischen Republik, Dänemark, Estland, Finnland, Frankreich, Deutschland, Griechenland, Ungarn, Irland, Italien, Lettland, Litauen, Luxemburg, Malta, Polen, Portugal, der Slowakei, Slowenien, Spanien, Schweden, Niederlande und Großbritannien und innerhalb der EFTA für die Verwendung in Island, Norwegen und der Schweiz vorgesehen.

Bluetooth

Der Markenname Bluetooth® sowie das Bluetooth® -Logo sind Eigentum von Bluetooth SIG, Inc. und jede Verwendung dieser Markenzeichen durch GN Netcom erfolgt unter Lizenz. Andere Markenzeichen und Markennamen sind Eigentum der jeweiligen Eigentümer.

GB Glossar

F **Bluetooth** ist eine Funktechnik, die Geräte wie Mobiltelefone und Headsets kabellos über kurze Entfernungen (etwa 10 Meter) miteinander verbinden kann. Weitere Informationen erhalten Sie über www.bluetooth.com

ES **Bluetooth-Profil** beschreiben die verschiedenen Arten, wie Bluetooth-Geräte mit anderen Geräten kommunizieren. Bluetooth-Telefone unterstützen entweder das Freisprechprofil oder das Headsetprofil, oder beides. Damit ein bestimmtes Profil unterstützt werden kann, muss ein Telefonhersteller in seine Telefon-Software bestimmte unverzichtbare Funktionen integrieren.

IT Die **Paarung** stellt eine individuelle und verschlüsselte Verbindung zwischen zwei Bluetooth-Geräten her und ermöglicht die Kommunikation zwischen diesen beiden. Sind die Geräte jedoch zuvor nicht gepaart worden, funktioniert die Bluetooth-Verbindung nicht.

SU Bei **Passkey oder PIN** handelt es sich um einen Code, den Sie in Ihr Bluetooth-fähiges Gerät eingeben müssen (z.B. in ein Mobiltelefon), um dieses mit Ihrem Jabra BT5010 zu paaren. Dadurch können das Gerät und Ihr Jabra BT5010 Verbindung miteinander aufnehmen und kommunizieren.

SE Der **Standby-Modus** ist aktiviert, wenn das Jabra BT5010 eingeschaltet und für den Empfang eines Anrufs bereit ist. Wenn Sie auf Ihrem Mobiltelefon einen Anruf „beenden“, verbleibt das Headset im Standby-Modus.

GR

Italiano

Ringraziamento 62

Informazioni sul vostro Jabra BT5010 62

Cosa può fare il vostro nuovo auricolare 63

PER INIZIARE 63

1. Ricaricare l'auricolare 64

2. Accendere e spegnere l'auricolare 64

3. Accoppiare il vostro telefono 64

4. Indossatelo come preferite! 65

5. Sportellino scorrevole 65

6. Come 65

7. Indicatore Batteria 67

8. Significato degli indicatori luminosi 67

9. Utilizzo dell'adattatore Bluetooth Jabra 68

10. Risoluzione dei problemi & FAQ 68

11. Altre domande? 69

12. Cura dell'auricolare 69

13. Garanzia 70

14. Norme di certificazione e sicurezza 71

15. Glossario 72



Entsorgen Sie das Produkt gemäß den lokalen Normen und Bestimmungen. www.jabra.com/weee

Ringraziamento

Grazie per avere acquistato l'auricolare Bluetooth Jabra BT5010. Speriamo che ne siate soddisfatti! Il presente manuale di istruzioni vi consentirà di iniziare ad usare l'auricolare e di scoprirne tutti i vantaggi.

Ricordate: guidare è più importante di qualsiasi chiamata!

L'uso del telefono cellulare durante la guida distrae il conducente, aumentando le probabilità di incidente. Se le circostanze in cui guidate richiedono speciale attenzione (maltempo, traffico intenso, presenza di bambini a bordo, cattive condizioni del manto stradale), accostate e parcheggiate l'auto prima di effettuare o rispondere ad una chiamata. Cercate inoltre di mantenere conversazioni brevi, non prendete appunti e non leggete.

Guidate sempre con prudenza e rispettate le norme locali sulla circolazione stradale.

Informazioni sul vostro Jabra BT5010

- 1 Tasto Risposta/ conclusione chiamata
- 2 Presa Batteria
- 3 Supporto auricolare
- 4 Volume su (predefinito)
- 5 Volume giù (predefinito)
- 6 Indicatore luminoso
- 7 Sportellino scorrevole
- 8 Microfono
- 9 Tasto Multifunzione
- 10 Altoparlante

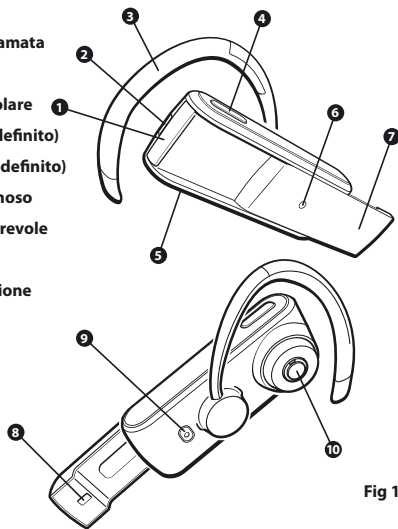


Fig 1

Cosa può fare il vostro nuovo auricolare

Il vostro Jabra BT5010 vi consente di:

- Rispondere alle chiamate in entrata
- Terminare le chiamate
- Respingere le chiamate in entrata*
- Effettuare la Selezione vocale*
- Rilezionare l'ultimo numero*
- Ricevere l'Avviso di chiamata*
- Mettere una chiamata in attesa
- Mettere una chiamata in pausa (Mute)
- Attivare/Disattivare la funzione vibro

* A seconda del telefono

Caratteristiche tecniche

- La batteria garantisce fino a 10 ore di conversazione e una durata di standby di 240 ore.
- Batteria ricaricabile con possibilità di ricaricare mediante alimentazione a CA, dal PC tramite cavo USB oppure utilizzando un caricabatterie per auto (non incluso)
- Peso 20 grammi
- Indicatore batteria
- Portata fino a 10 metri
- Profili Bluetooth per auricolare e vivavoce
- Bluetooth classe 2.0 (Cfr. Glossario)

PER INIZIARE

L'auricolare Jabra BT5010 è di facile utilizzo. Il tasto risposta/conclusione chiamata sull'auricolare svolge diverse funzioni a seconda della durata della pressione.

Istruzioni	Durata della pressione
Premere brevemente	Premere brevemente e rilasciare
Premere	Circa: 1 secondo
Mantere premuto	Circa: 5 secondi

1. Ricaricare l'auricolare

Accertatevi che il vostro auricolare Jabra BT5010 sia stato caricato completamente per 2 ore prima di utilizzarlo per la prima volta. Collegare l'adattatore all'alimentazione CA per effettuare la ricarica dalla presa di corrente, oppure ricaricarlo direttamente dal PC mediante il cavo USB in dotazione. Utilizzate i caricabatterie forniti in dotazione - non utilizzate caricabatterie di altri dispositivi in quanto potrebbero danneggiare il vostro Jabra BT5010.

Collegate l'auricolare come illustrato nella **fig 2**. Un indicatore luminoso rosso acceso in modo fisso indica che la ricarica è in corso. Quando l'indicatore diventa verde, l'auricolare è completamente carico.


2. Accendere e spegnere l'auricolare

- Per accendere l'auricolare **premete** il tasto Multifunzione (**ved. fig. 1**). L'indicatore luminoso dello stato della batteria segnala che l'auricolare Jabra BT5010 è acceso (**ved. paragrafo 7**).
- Per accendere l'auricolare, **premete** il tasto Multifunzione fino a quando lampeggiano gli indicatori luminosi.

3. Accoppiare il vostro telefono

Prima dell'uso, l'auricolare Jabra BT5010 deve essere accoppiato al telefono cellulare.

1. Portate l'auricolare in modalità accoppiamento

- Accertatevi che l'auricolare sia spento.
- Premete** il tasto Multifunzione con il simbolo  fino a quando l'indicatore blu non si illumina in modo fisso..

2. Impostate il telefono Bluetooth per il rilevamento dell'auricolare Jabra BT5010

Seguite le istruzioni del telefono. Di norma, è necessario accedere a un menù di "impostazione", "collegamento" o "Bluetooth" **sul vostro telefono** e selezionare quindi l'opzione necessaria per "rilevare" un dispositivo Bluetooth. (**La fig. 3 mostra un esempio relativo ad un tipico telefono cellulare**).

3. Il vostro telefono rileverà l'auricolare Jabra BT5010

Il vostro telefono vi domanderà se desiderate effettuare l'accoppiamento all'auricolare. Accettate premendo il tasto 'SI' oppure 'OK' sul vostro cellulare e confermate inserendo il codice di accesso o PIN = 0000 (4 zeri). Una volta completato l'accoppiamento, il vostro telefono vi darà un messaggio di conferma. In caso di accoppiamento non riuscito, ripetete le operazioni dal punto 1 al punto 3.

4. Indossatelo come preferite

L'auricolare Jabra BT5010 è pronto per essere indossato all'orecchio destro. Se preferite indossarlo all'orecchio sinistro, estraete il gancio dell'auricolare, fatelo ruotare e inseritelo come nel disegno (**ved. fig. 4**).

Per ottenere prestazioni ottimali, indossate l'auricolare Jabra BT5010 dalla stessa parte del telefono o entro la linea di visuale. In genere, si ottengono prestazioni migliori se tra l'auricolare e il telefono non sono presenti ostacoli (**ved. fig. 5**).

5. Sportellino scorrevole

Lo sportellino scorrevole si utilizza per accettare o concludere le chiamate, ma migliora anche la qualità dell'audio quando è aperto.

Per rispondere alle chiamate in entrata è sufficiente aprire lo sportellino scorrevole. Al contrario, per terminare le chiamate basta richiudere lo sportellino scorrevole.

Naturalmente l'auricolare Jabra BT5010 può essere utilizzato con lo sportellino scorrevole in entrambe le posizioni, ma la posizione aperta offre una migliore qualità dell'audio.

6. Come...

Rispondere alle chiamate

- Per rispondere ad una chiamata, **premere brevemente** il tasto di risposta/conclusione chiamata dell'auricolare oppure
- Per rispondere alla chiamata, **aprire** lo sportellino scorrevole

Concludere le chiamate

- Per terminare una chiamata in corso, **premere brevemente** il tasto di risposta/conclusione chiamata
- oppure
- Per terminare una chiamata in corso, **chiudere** lo sportellino scorrevole

Effettuare le chiamate

- Quando si effettua una chiamata dal telefono cellulare, la comunicazione viene trasferita automaticamente all'auricolare (a seconda delle impostazioni del telefono). Se il vostro cellulare non è abilitato per questa funzione, premete brevemente il tasto di risposta/conclusione chiamata sull'auricolare Jabra BT5010 per trasferire la chiamata all'auricolare.

GB Respingere una chiamata*

- Per respingere una chiamata in entrata, allo squillare del telefono **premere** il tasto di risposta/conclusione chiamata. A seconda delle impostazioni del vostro cellulare, la persona che vi ha chiamato ascolterà il messaggio della segreteria telefonica oppure un segnale di linea occupata.

PT Attivazione della selezione vocale*

- **Premere brevemente** il tasto di risposta/conclusione chiamata. Per ottenere un migliore risultato, dovrete registrare i comandi vocali con l'auricolare. Per ulteriori informazioni sull'uso di questa funzione consultate il manuale di istruzioni del vostro telefono.

IT Rilezione dell'ultimo numero*

- **Premere** il tasto di risposta/conclusione chiamata.

NL Regolare il suono ed il volume

- Per regolare il volume **premere** il tasto volume su oppure giù (+ o -). *(La posizione predefinita del tasto Volume su nella parte superiore dell'auricolare presuppone che il dispositivo sia indossato a destra).*
- Per mettere in pausa (mute) una chiamata, **premere contemporaneamente** i tasti volume su e volume giù. Durante la pausa della chiamata, si attiva un leggero segnale acustico di allerta.
- Per riattivare la chiamata, **premere brevemente** uno dei due tasti del volume.

GR Avviso di chiamata e messa in attesa*

Questa funzione consente di mettere in attesa una conversazione in corso e di rispondere ad un'altra chiamata in entrata.

- Per mettere in attesa una chiamata in corso e rispondere ad un'altra chiamata in entrata, **premere** una volta il pulsante di risposta/conclusione chiamata.
- Per passare da una chiamata all'altra **premere** il pulsante di risposta/conclusione chiamata.
- Per terminare la conversazione in corso, **premere brevemente** il tasto di risposta/conclusione chiamata.

* Le funzioni contrassegnate dal simbolo * sono disponibili solo se supportate dal vostro cellulare. Per ulteriori informazioni consultate il manuale di istruzioni del vostro cellulare.

Attivazione/disattivazione del vibro

- **Mantenere premuti** entrambi i tasti del volume in modalità standby.

Tasti del volume

Per modificare l'orientazione dei tasti del volume (l'impostazione predefinita è per il dispositivo indossato all'orecchio destro)

- **Mantenere premuto** il pulsante di risposta/conclusione chiamata in modalità standby e **premere brevemente** il tasto desiderato.

7. Indicatore Batteria

All'accensione del Jabra BT5010 o quando viene premuto un tasto dopo più di un minuto dall'ultima pressione, l'indicatore luminoso indica il livello della batteria dell'auricolare.

Indicatore luminoso	Livello della Batteria
Una luce verde lampeggia 4 volte	carica dal 75% al 100%
Una luce verde lampeggia 3 volte	carica dal 50% al 75%
Una luce verde lampeggia 2 volte	carica dal 25% al 50%
Una luce rossa lampeggia 1 volta	carica inferiore al 25%

8. Significato degli indicatori luminosi

Indicatore luminoso	Significato
Serie di flash	Ved. indicatore batteria (paragrafo 7)
Blu e verde intermittente	Chiamata in entrata
Blu intermittente	Lampeggia ogni secondo: chiamata in corso
Blu intermittente	Lampeggia ogni tre secondi: modalità standby (solo per 1 minuto, poi si spegne)
Rosso intermittente	Livello batteria basso
Verde fisso	Ricarica completata
Rosso fisso	Ricarica in corso
Blu fisso	In modalità accoppiamento (ved. paragrafo 3)

9. Uso di un adattatore Bluetooth Jabra

Se desiderate utilizzare l'auricolare Jabra BT5010 con un cellulare non abilitato Bluetooth, l'adattatore Jabra A210 è la soluzione che fa per voi.

Stabilisce una connessione senza fili con le seguenti funzioni dell'auricolare: risposta/conclusione chiamata, selezione vocale (a seconda del telefono) e pausa chiamata (mute). Le funzioni di chiamata respinta, rifelezione dell'ultimo numero e messa in attesa possono non essere supportate dal connettore dell'auricolare inserito nel cellulare.

Accoppiamento dell'auricolare Jabra BT5010 all'adattatore Jabra A210

Il processo di accoppiamento è leggermente diverso:

- Portate l'auricolare Jabra BT5010 in modalità accoppiamento
- Portate l'adattatore Jabra A210 in modalità accoppiamento
- Avvicinate i due dispositivi. L'accoppiamento di questi due prodotti Jabra non richiede un codice pin dedicato. Per ulteriori informazioni consultare il manuale di istruzioni dell'adattatore Jabra A210.

Come effettuare o rispondere ad una chiamata utilizzando l'adattatore Jabra A210

- La chiamata effettuata dal vostro cellulare sarà trasferita automaticamente all'auricolare (purché sia acceso)
- Risposta ad una chiamata: premete brevemente il tasto di risposta/conclusione chiamata sull'auricolare o aprire lo sportellino scorrevole, oppure premete il tasto di risposta sul cellulare

10. Risoluzione dei problemi & FAQ

Si percepiscono rumori gracchianti

- Per migliorare la qualità dell'audio, indossate sempre l'auricolare dalla stessa parte del cellulare

L'auricolare non emette alcun suono

- Aumentate il volume dell'auricolare
- Accertatevi che l'auricolare sia accoppiato al telefono
- Accertatevi che il telefono sia accoppiato all'auricolare - se non si collega né dal menu del telefono Bluetooth né con una breve pressione del pulsante di risposta/conclusione chiamata, eseguire la procedura di accoppiamento (*ved. paragrafo 3*).

L'accoppiamento non è riuscito anche se il telefono indica il contrario

- Accertatevi di non aver cancellato nel cellulare la connessione di accoppiamento all'auricolare. Seguite le istruzioni per l'accoppiamento (ved. paragrafo 3).

L'auricolare Jabra BT5010 è compatibile con altri dispositivi Bluetooth?

- L'auricolare Jabra BT5010 è progettato per l'uso con telefoni cellulari Bluetooth. È compatibile con gli altri dispositivi Bluetooth nelle versioni 1.1, 1.2 o 2.0 che supportano il profilo auricolare e/o vivavoce.

Le funzioni di chiamata respinta, messa in attesa, rifelezione e selezione vocale non funzionano

- Queste funzioni dipendono dalla capacità del vostro telefono di supportarle. Per maggiori dettagli Vi invitiamo a controllare il manuale del vostro telefono.

11. Altre domande?

Jabra offre assistenza online ai clienti all'indirizzo www.jabra.com. In alternativa, leggete i dati per l'assistenza tecnica nel vostro paese sul retro di copertina.

12. Cura del vostro auricolare

- Conservate sempre Jabra BT5010 spento e in un luogo sicuro e protetto.
- Evitate di esporlo a temperature estreme (oltre 45 °C / 113 °F, alla luce diretta del sole e al di sotto di -10°C/14°F). Ciò potrebbe compromettere la durata della batteria ed il funzionamento del dispositivo. Inoltre, le elevate temperature potrebbero influenzare negativamente le prestazioni
- Tenete l'adattatore l'auricolare Jabra BT5010 al riparo da pioggia o altri liquidi.

GB 13. Garanzia

Jabra (GN Netcom) garantisce che il prodotto non presenta difetti di materiale e di lavorazione per un periodo di due anni dalla data di acquisto originale. Le condizioni della presente garanzia e le nostre responsabilità in merito ad essa sono descritte di seguito:

- La garanzia è limitata all'acquirente originale
- È necessario conservare una copia della ricevuta o di un'altra prova di acquisto
- La garanzia è nulla qualora vengano rimossi il numero di serie, l'etichetta del codice data o l'etichetta del prodotto, oppure qualora il prodotto venga danneggiato, installato non correttamente, modificato o riparato da terzi non autorizzati
- La responsabilità di Jabra (GN Netcom) verso i propri prodotti è limitata alla riparazione o alla sostituzione del prodotto a propria esclusiva discrezione
- Qualsiasi garanzia relativa ai prodotti Jabra (GN Netcom) ha una durata di due anni dalla data di acquisto e comprende tutti i componenti, inclusi cavi e connettori
- Dalla garanzia sono specificamente esclusi tutti i componenti consumabili dalla durata limitata normalmente soggetti a usura, come schermi antivento per microfono, imbottiture per cuffie, finiture decorative, batterie e altri accessori
- Jabra (GN Netcom) non è responsabile dei danni accidentali o conseguenti derivanti dall'uso corretto o improprio di qualsiasi prodotto Jabra (GN Netcom)
- La presente garanzia concede diritti specifici. L'utente però può avere diritti di altra natura che variano da zona a zona
- L'utente non è autorizzato, in nessun caso, a tentare di effettuare assistenza, regolazioni o riparazioni sull'unità, sia questa coperta da garanzia o meno, fatta eccezione per i casi in cui diversamente indicato nel Manuale utente. Per tali operazioni il prodotto deve essere rispedito al punto di acquisto, fabbrica o centro di assistenza autorizzato
- Jabra (GN Netcom) non si assume nessuna responsabilità per eventuali perdite o danni avvenuti durante la spedizione. Qualsiasi lavoro di riparazione sui prodotti Jabra (GN Netcom) da parte di terzi non autorizzati annulla ogni tipo di garanzia

GB 14. Norme di certificazione e sicurezza

CE

Questo prodotto è contrassegnato dal marchio CE in conformità con le disposizioni della Direttiva R & TTE (1999/5/CE). Con ciò, GN Netcom dichiara che questo prodotto è conforme ai requisiti essenziali e ad altre rilevanti disposizioni previste dalla Direttiva 1999/5/CE.

Per ulteriori informazioni, visitare il sito www.jabra.com

All'interno dell'Unione Europea, questo dispositivo può essere utilizzato in Austria, Belgio, Cipro, Repubblica Ceca, Danimarca, Estonia, Finlandia, Francia, Germania, Grecia, Ungheria, Irlanda, Italia, Lettonia, Lituania, Lussemburgo, Malta, Polonia, Portogallo, Slovacchia, Slovenia, Spagna, Svezia, Paesi Bassi, Regno Unito e all'interno dei Paesi dell'EFTA in Islanda, Norvegia e Svizzera.

Bluetooth

Il marchio e i logo Bluetooth® sono di proprietà di Bluetooth SIG, Inc. e tali marchi vengono utilizzati da GN Netcom su licenza. Altri marchi e nomi commerciali appartengono ai rispettivi proprietari.

GB 15. Glossario

F **La tecnologia Bluetooth** si basa sulle onde radio per collegare diversi dispositivi fra loro, come ad esempio telefoni cellulari e cuffie, senza fili o cavi e su distanze corte (circa 10 metri). Maggiori informazioni sono disponibili sul sito www.bluetooth.com

ES **I profili Bluetooth** sono le diverse tipologie di comunicazione tra dispositivi Bluetooth e dispositivi di altro tipo. I telefoni Bluetooth supportano il profilo cuffia, il profilo vivavoce oppure entrambi. Per supportare un determinato profilo, un produttore di telefonia deve implementare determinate funzioni nel software del telefono.

PT **L'accoppiamento** è il processo tramite il quale si crea uno straordinario collegamento di comunicazione criptata tra due dispositivi abilitati Bluetooth, consentendo loro di comunicare l'uno con l'altro. I dispositivi Bluetooth non funzionano se non sono stati accoppiati.

DE **Il Codice di accesso o PIN** è una sequenza numerica che deve essere digitata in un dispositivo abilitato Bluetooth (es. un telefono cellulare) per accoppiarlo all'auricolare Jabra BT5010. Il codice permette il riconoscimento reciproco ed il funzionamento congiunto del dispositivo e dell'auricolare Jabra BT5010.

IT **In modalità standby**, l'auricolare Jabra BT5010 è semplicemente in attesa di ricevere chiamate. Quando si conclude una telefonata con il telefono cellulare, l'auricolare passa in modalità standby.

NL

SU

NO

SE

DK

GR

Nederlands

GB Hartelijk dank.....74

F Overzicht van uw Jabra BT5010.....74

ES Wat kan uw nieuwe headset allemaal?.....75

PT AAN DE SLAG75

DE 1. Uw headset opladen76

IT 2. Uw headset aan- en uitschakelen76

NL 3. Uw headset aan uw telefoon koppelen76

SU 4. Uw headset dragen zoals u wilt77

NO 5. De draaibare arm.....77

SE 6. Hoe.....77

DK 7. Batterij-indicator79

GR 8. Wat betekenen de verschillende lampjes?.....79

9. Een Jabra bluetoothadapter gebruiken80

10. Probleemoplossing en veel gestelde vragen80

11. Hebt u meer hulp nodig?.....81

12. Uw headset onderhouden.....81

13. Garantie82

14. Certificatie en veiligheidsgoedkeuring83

15. Woordenlijst84



Lo smaltimento del prodotto deve avvenire conformemente agli standard e alle normative locali. www.jabra.com/weee

GB Hartelijk dank

Hartelijk dank voor het aanschaffen van de Jabra BT5010 bluetoothheadset. We hopen dat u deze met veel plezier zult gebruiken. Deze gebruikershandleiding helpt u op weg om de mogelijkheden van uw headset optimaal te benutten.

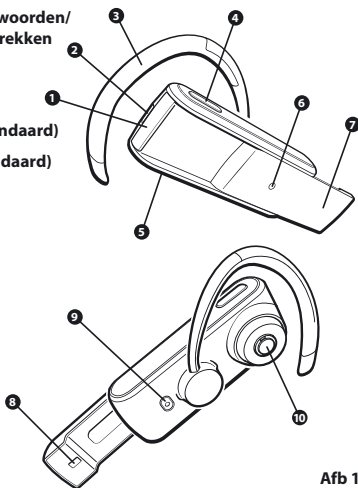
PT Onthoud: autorijden komt op de eerste plaats, niet het telefoongesprek!

Het gebruik van een mobiele telefoon tijdens het autorijden kan u afleiden en de kans op een ongeluk vergroten. Verlaat, wanneer de rij-omstandigheden (zoals slecht weer, hoge verkeersdichtheid, aanwezigheid van kinderen in de auto, lastige wegcondities) dit vereisen, de weg en parkeer de auto vóór u gaat bellen of een gesprek aanneemt. Probeer gesprekken kort te houden en geen aantekeningen te maken of documenten te lezen.

Rij altijd veilig en houd u aan de lokale wetgeving.

Overzicht van uw Jabra BT5010

- 1 Toets voor het beantwoorden/beëindigen van gesprekken
- 2 Aansluiting lader
- 3 Oorhaak
- 4 Volume omhoog (standaard)
- 5 Volume omlaag (standaard)
- 6 LED-indicatielampje
- 7 Draaibare arm
- 8 Microfoon
- 9 Aan/uit koppeltoets
- 10 Luidspreker



Afb 1

Wat kan uw nieuwe headset allemaal?

Met uw Jabra BT5010 kunt u het volgende doen:

- Gesprekken beantwoorden
- Gesprekken beëindigen
- Gesprekken weigeren*
- Voice Dialing*
- Nummerherhaling laatst gekozen nummer*
- Oproepaanmelding*
- Gesprek in de wacht zetten*
- Geluid uitschakelen
- Trilfunctie in-/uitschakelen

* Afhankelijk van de telefoon

Specificaties

- Gesprekstijd tot 10 uur/standby-tijd tot 240 uur
- Oplaadbare batterij met laadoptie via wisselstroom, PC via USB-kabel of autolader (niet meegeleverd)
- Gewicht 20 gram
- Batterij-indicator
- Bereik maximaal 10 meter
- Headset en handsfree bluetoothprofiel
- Bluetoothspecificatie (zie woordenlijst) versie 2.0

AAN DE SLAG

De Jabra BT5010 is eenvoudig te gebruiken. Met de toets voor het beantwoorden/beëindigen van gesprekken op de headset worden de verschillende functies uitgevoerd, afhankelijk van hoe lang deze toets ingedrukt wordt gehouden.

Instructie	Tijd dat toets wordt ingedrukt
Zacht indrukken	Kort indrukken
Indrukken	Ongeveer 1 seconde
Ingedrukt houden	Ongeveer 5 seconden

GB 1. Uw headset opladen

F Zorg dat uw Jabra BT5010 headset 2 uur volledig wordt opgeladen vóór u deze gaat gebruiken. Gebruik de wisselstroomadapter om de headset op te laden via een stopcontact of laad deze rechtstreeks op via uw PC met de meegeleverde USB-kabel. Gebruik uitsluitend de in de doos meegeleverde laders – gebruik geen laders van andere apparaten. Hierdoor kan uw Jabra BT5010 beschadigen.

ES PT Sluit uw headset aan zoals afgebeeld op **afb. 2**. Wanneer het LED-indicatielampje constant rood is, wordt uw headset opgeladen. Wanneer het LED-indicatielampje groen is, is de headset volledig opgeladen.


NL 2. Uw headset aan- en uitschakelen

- **Druk** op de aan/uit/koppeltoets om uw headset aan te zetten (**zie afb. 1**). Het LED-lampje toont de batterijstatus om aan te geven dat de Jabra BT5010 aan staat (**zie hoofdstuk 7**)
- **Druk** op de aan/uit/koppeltoets om uw headset uit te schakelen tot u een aantal keer een lampje ziet knipperen

DK 3. Uw headset aan uw telefoon koppelen

GR Vóór u uw Jabra BT5010 gaat gebruiken, moet u deze aan uw mobiele telefoon koppelen.

1. Zet de headset in de koppelmodus

- Controleer of de headset uit staat.
- **Druk** op de aan/uit/koppeltoets, gemarkeerd met  tot het LED-indicatielampje constant blauw is.

2. Stel uw bluetoothtelefoon in op zoeken naar de Jabra BT5010

Volg de gebruiksaanwijzing van uw telefoon. Hiervoor moet u meestal naar een menu 'instellingen', 'aansluiten' of 'Bluetooth' **op uw telefoon** gaan en de optie 'zoeken' of 'toevoegen' van een bluetoothapparaat selecteren.* (**Zie voorbeeld van een typische mobiele telefoon op afb. 3**).

3. Uw telefoon vindt de Jabra BT5010

Uw telefoon vraagt u vervolgens of u een koppeling tot stand wilt brengen. Accepteer door op de telefoon op 'Ja' of 'OK' te drukken en bevestig dit met **de PIN = 0000 (4 nullen)**. Uw telefoon geeft een bevestiging wanneer de koppeling voltooid is. Herhaal bij mislukte koppeling stap 1 tot en met 3.

GB 4. Uw headset dragen zoals u wilt

DE De Jabra BT5010 is gereed om in uw rechteroor gedragen te worden. Trek wanneer u de voorkeur geeft aan links de oorhaak los en draai en bevestig deze zoals afgebeeld (**Zie afb. 4**).

PT IT Draag voor een optimale prestatie de Jabra BT5010 en uw mobiele telefoon aan dezelfde kant van uw lichaam of binnen gezichtsbereik. Over het algemeen krijgt u een betere prestatie wanneer zich geen obstakels tussen uw headset en uw mobiele telefoon bevinden (**Zie afb. 5**).

NL 5. De draaibare arm

DE De draaibare arm wordt gebruikt voor het beantwoorden en beëindigen van gesprekken en zorgt tevens voor een betere geluidskwaliteit wanneer deze wordt uitgetrokken.

SE Trek om een inkomend gesprek te beantwoorden de arm uit naar open positie en druk deze terug naar gesloten positie om een gesprek te beëindigen.

DK GR De Jabra BT5010 kan uiteraard gebruikt worden met de arm in beide posities, maar geeft de beste geluidskwaliteit in open positie.

6. Hoe...

Beantwoord je een gesprek?

- **Druk zacht** op de toets voor het beantwoorden/beëindigen van gesprekken op uw headset om een gesprek te beantwoorden of
- **Open** de draaibare arm om het gesprek te beantwoorden

Beëindig je een gesprek?

- **Druk zacht** op de toets om een gesprek te beantwoorden/beëindigen om een actief gesprek te beëindigen of
- **Sluit** de draaibare arm om een actief gesprek te beëindigen

Kunt u bellen?

- Wanneer u belt met uw mobiele telefoon wordt het gesprek (afhankelijk van de instellingen van uw mobiele telefoon) automatisch doorgeschakeld naar uw headset. Druk wanneer uw telefoon deze functie niet ondersteunt zacht op de toets voor het beantwoorden/beëindigen van gesprekken van de Jabra BT5010 om het gesprek door te schakelen naar de headset.

GB **Weigert u een gesprek?***

- **Druk** als de telefoon gaat op de toets voor het beantwoorden/beëindigen van gesprekken om een inkomend gesprek te weigeren. Afhankelijk van de instellingen van uw telefoon wordt de persoon die u gebeld heeft doorgeschakeld naar uw voicemail of hoort deze een ingesprektoon.

PT **Activeert u voice dialing***

- **Druk zacht** op de toets voor het beantwoorden/beëindigen van gesprekken. Neem voor het beste resultaat de voice-dialing tag op via uw headset. Raadpleeg de gebruiksaanwijzing van uw telefoon voor meer informatie over het gebruik van deze functie.

IT **Draait u het laatstgekozen nummer opnieuw?***

- **Druk** op de toets voor het beantwoorden/beëindigen van gesprekken

NL **Kunt u het geluid en volume aanpassen?**

- **Druk** het volume omhoog of omlaag (+ of -) om het volume aan te passen. (De toets "volume omhoog" bevindt zich standaard bovenop de headset wanneer deze in het rechteroor wordt gedragen).
- **Druk** om het geluid uit te schakelen **gelijktijdig** volume omhoog en omlaag in. Een lage pieptoon klinkt tijdens een gesprek waarbij het geluid is uitgeschakeld.
- **Druk** om het geluid weer in te schakelen **zacht** op één van beide volumetoetsen.

GR **Oproepaankondiging en het in de wacht plaatsen van een gesprek***

Hiermee kunt een gesprek in de wacht zetten tijdens een gesprek en een wachtende oproep beantwoorden.

- Druk eenmaal op de toets voor het beantwoorden/beëindigen van gesprekken om het actieve gesprek in de wacht te zetten en de wachtende oproep te beantwoorden.
- Druk op de toets voor het beantwoorden/beëindigen van gesprekken om tussen de twee gesprekken te schakelen.
- Druk zacht op de toets om een gesprek te beantwoorden/beëindigen om het actieve gesprek te beëindigen.

* Functies met een * zijn afhankelijk van het feit of uw telefoon deze functies ondersteunt. Raadpleeg voor meer informatie de gebruikshandleiding van uw telefoon.

Schakelt u de trilfunctie in en uit?

- **Houd** beide volumetoetsen **ingedrukt** in de standby-modus.

Volumetoetsen

Om de oriëntatie van de volumetoetsen te veranderen (de standaard instelling is voor rechteroor draagmodus)

- **Houd** de toets voor het beantwoorden/beëindigen van gesprekken **ingedrukt** en **druk zacht** op de gewenste omhoogtoets.

7. Batterij-indicator

Wanneer de Jabra BT5010 aan staat of een toets meer dan één minuut na de laatste druk op een toets wordt ingedrukt, geeft de LED het batterijniveau van de headset aan.

Wat u ziet	Batterijniveau
4 keer groen knipperend lampje	75% - 100% opgeladen
3 keer groen knipperend lampje	50% -75% opgeladen
2 keer groen knipperend lampje	25% -50% opgeladen
1 keer rood knipperend lampje	minder dan 25% opgeladen

8. Wat betekenen de verschillende lampjes

Wat u ziet	Wat dit betekent voor uw headset
Aantal malen knipperend lampje	Zie batterij-indicator (hoofdstuk 7)
Knipperend blauw en groen lampje	Inkomend gesprek
Knipperend blauw lampje	Knippert elke seconde: Actief gesprek
Knipperend blauw lampje	Knippert elke drie seconden: in standby-modus (slechts 1 minuut, vervolgens uit)
Knipperend groen lampje	Batterij bijna leeg
Constant brandend groen lampje	Volledig opgeladen
Constant brandend rood lampje	Laadt op
Constant brandend blauw lampje	In koppelmodus (zie hoofdstuk 3)

9. Een Jabra bluetoothadapter gebruiken

Wanneer u de Jabra BT5010 wilt gebruiken met een mobiele telefoon zonder bluetoothfunctie biedt de Jabra A210 adapter de oplossing.

Deze biedt u een draadloze verbinding met de volgende headsetfuncties: beantwoorden/beëindigen van gesprekken, voice dialfunctie (indien dit door de telefoon wordt ondersteund) en geluid uitschakelen. De functies gesprek weigeren, laatst gekozen nummer opnieuw draaien en gesprek in de wacht zetten worden mogelijk niet ondersteund via de headsetaansluiting in de mobiele telefoon.

De Jabra BT5010 koppelen aan de Jabra A210

Het koppelproces werkt iets anders:

- Zet uw Jabra BT5010 in de koppelmodus
- Zet de Jabra A210 adapter in de koppelmodus
- Plaats beide dicht bij elkaar. U hebt geen speciale pincode nodig om de twee Jabra-producten aan elkaar te koppelen. Raadpleeg voor meer informatie de gebruiksaanwijzing van de Jabra A210 adapter.

Het bellen of beantwoorden van een gesprek met behulp van de Jabra A210

- Wanneer u belt met uw mobiele telefoon wordt het gesprek automatisch doorgeschakeld naar de headset (wanneer deze aan staat)
- Om een gesprek te beantwoorden: druk zacht op de toets voor het beantwoorden/beëindigen van gesprekken op uw headset, open de draaibare arm of druk op de antwoordtoets van uw mobiele telefoon

10. Probleemoplossing en veel gestelde vragen

Ik hoor gekraak

- Draag uw headset voor de beste geluidskwaliteit altijd aan dezelfde kant van het lichaam als de mobiele telefoon

Ik hoor niets in mijn headset

- Stel het volume van de headset omhoog bij
- Controleer of de headset aan de telefoon gekoppeld is
- Controleer of de telefoon op de headset aangesloten is – volg de volgende procedure wanneer deze geen verbinding maakt via het bluetoothmenu van de telefoon of door zacht op de toets voor het beantwoorden/beëindigen van gesprekken te drukken (*zie hoofdstuk 3*)

Ik heb problemen met het koppelen, hoewel mijn telefoon anders aangeeft

- Misschien hebt u de koppelverbinding van uw headset in uw mobiele telefoon gewist. Volg de koppelinstructies in hoofdstuk 3.

Werkt de Jabra BT5010 in combinatie met andere bluetoothapparatuur?

- De Jabra BT5010 is ontwikkeld voor gebruik in combinatie met mobiele telefoons met bluetoothfunctie. Deze is tevens te gebruiken in combinatie met andere bluetoothapparaten die compliant zijn met bluetoothversie 1.1, 1.2 of 2.0 en een headset- en/of handsfreeprofiel ondersteunen.

Ik kan de functies gesprek weigeren, gesprek in de wacht zetten, opnieuw draaien van het laatstgekozen nummer en voice dialing niet gebruiken

- Deze functies zijn afhankelijk van het feit of uw telefoon deze ondersteunt. Raadpleeg voor verdere gegevens de handleiding van uw telefoon.

11. Hebt u meer hulp nodig?

Jabra biedt klanten online klantondersteuning via www.jabra.com. Verder vindt u op de binnenkant van de omslag de ondersteuningsgegevens voor uw land.

12. Uw headset onderhouden

- Bewaar de Jabra BT5010 altijd met de elektriciteit uitgeschakeld en op een veilige plaats
- Bewaar de headset niet bij zeer hoge temperaturen (boven 45°C – waaronder direct zonlicht – of beneden -10°C). Dit kan de levensduur van de batterij verkorten en gevolgen hebben voor de werking van het apparaat. Hoge temperaturen kunnen ook de prestatie ongunstig beïnvloeden.
- Stel de Jabra BT5010 niet bloot aan regen of ander vocht.

GB 13. Garantie

F Jabra (GN Netcom) garandeert dat dit product vrij is van alle gebreken in materiaal en afwerking voor een periode van twee jaar vanaf de datum van aankoop. De voorwaarden van deze garantie en onze verplichtingen krachtens deze garantie zijn als volgt:

- ES • De garantie geldt uitsluitend voor de oorspronkelijke koper
- PT • U dient een kopie van uw kwitantie of een ander betalingsbewijs te overleggen
- DE • De garantie geldt niet als het serienummer, de datumcode of het productetiket is verwijderd of als het product is blootgesteld aan een onzorgvuldige behandeling, verkeerd is geïnstalleerd, is gewijzigd of is gerepareerd door onbevoegde derden
- IT • De verplichtingen van Jabra (GN Netcom) met betrekking tot zijn producten zijn beperkt tot de reparatie of de vervanging van het product, zulks ter beoordeling van Jabra
- NL • Elke impliciete garantie op Jabra (GN Netcom) producten is beperkt tot twee jaar vanaf de datum van aankoop en geldt voor alle onderdelen, inclusief snoeren en stekkers
- SU • Specifiek uitgesloten van elke garantie zijn gebruiksonderdelen met een beperkte levensduur die onderhevig zijn aan normale slijtage, zoals windschermen voor de microfoon, oorkussentjes, sierkappen, batterijen en andere accessoires
- NO • Jabra (GN Netcom) is niet aansprakelijk voor incidentele schade of gevolgschade die voortvloeit uit het gebruik of misbruik van Jabra (GN Netcom) producten
- SE • Deze garantie geeft u specifieke rechten, maar u kunt ook over andere rechten beschikken die plaatselijk kunnen verschillen
- DK • Behoudens andere instructies in de Gebruikershandleiding mag de gebruiker nimmer onderhouds-, afstel-, of reparatiewerkzaamheden uitvoeren aan dit apparaat, ongeacht of dit wel of niet onder de garantie valt. Het apparaat moet voor alle genoemde werkzaamheden worden teruggestuurd naar de winkel, de fabriek of een erkend servicebedrijf
- GR • Jabra (GN Netcom) aanvaardt geen enkele aansprakelijkheid voor een defect of schade die is ontstaan tijdens de verzending. Indien reparatiewerkzaamheden aan Jabra (GN Netcom) producten worden uitgevoerd door onbevoegde derden, vervalt de garantie

GB 14. Certificatie en veiligheidsgoedkeuring

CE

F Dit product heeft een CE-keurmerk overeenkomstig de bepalingen van de R & TTE-richtlijn (1999/5/EG). Hierbij verklaart GN Netcom dat dit product in overeenstemming is met de essentiële eisen en andere relevante bepalingen van Richtlijn 1999/5/EG.

ES Verdere informatie vindt u op: www.jabra.com

PT Dit apparaat is binnen de EU bedoeld voor gebruik in Oostenrijk, België, Cyprus, Tsjechië, Denemarken, Estland, Finland, Frankrijk, Duitsland, Griekenland, Hongarije, Ierland, Italië, Letland, Litouwen, Luxemburg, Malta, Polen, Portugal, Slowakije, Slovenië, Spanje, Zweden, Nederland, het Verenigd Koninkrijk en binnen de EVA in Usland, Noorwegen en Zwitserland.

NL Bluetooth

SU De merknaam en logo's van Bluetooth® zijn eigendom van Bluetooth SIG, Inc. en worden door GN Netcom in licentie gebruikt. Andere handelsmerken en merknamen zijn eigendom van hun respectieve eigenaars.

GB 15. Woordenlijst

F **Bluetooth** is een radiotechnologie om apparaten, zoals mobiele telefoons en headsets, draadloos te verbinden over een korte afstand (ongeveer 10 meter). Meer informatie vindt u op www.bluetooth.com

ES **Bluetooth-profielen** zijn de verschillende manieren waarmee bluetoothapparaten met andere toestellen communiceren. Telefoons met bluetoothfunctie ondersteunen het headsetprofiel, het handsfreeprofiel of beide. Om een bepaald profiel te ondersteunen moet een telefoonfabrikant bepaalde vereiste functies toepassen in de software van de telefoon.

PT **Koppelen** zorgt voor een unieke en beveiligde verbinding tussen twee bluetoothapparaten en laat deze met elkaar communiceren. Bluetoothapparaten werken niet wanneer deze niet met elkaar zijn verbonden.

DE **PIN** is een code die u invoert op uw apparaat met bluetoothfunctie (bijv. een mobiele telefoon) om deze aan uw Jabra BT5010 te koppelen. Hierdoor herkennen uw apparaat en de Jabra BT5010 elkaar en werken deze automatisch samen.

IT **Standby-modus** is wanneer de Jabra BT5010 passief op een oproep wacht. Wanneer u een gesprek op uw mobiele telefoon beëindigt, schakelt de headset over op de standby-modus.

NL

SU

NO

SE

DK

GR

Suomi

Kiitos	86
Tietoja Jabra BT5010 -kuulokkeesta	86
Kuulokkeen ominaisuudet	87
ALOITTAMINEN	87
1. Kuulokkeen lataus	88
2. Kuulokkeen virran kytkentä ja katkaisu	88
3. Yhdistäminen matkapuhelimeen	88
4. Käyttöpuolen vaihto	89
5. Avattava mikrofonin varsi	89
6. Miten eri toimintoja käytetään	89
7. Akun varaustason ilmaisin	91
8. Valojen merkitys	91
9. Jabra Bluetooth -sovitin käyttö	92
10. Vianetsintä ja usein kysytyt kysymykset	92
11. Lisäohjeita	93
12. Kuulokkeen hoito	93
13. Takuu	93
14. Sertifikaatit ja turvahyväksynnät	94
15. Sanasto	95



Het afdanken van het product dient te geschieden in overeenstemming met de plaatselijk geldende normen en wet- en regelgeving.
www.jabra.com/weee

GB

Kiitos

Kiitos, että valitsit Jabra BT5010 Bluetooth -kuulokkeen. Toivomme, että nautit sen käyttämisestä. Tämän käyttöoppaan avulla pääset alkuun ja opit hyödyntämään kuuloketta parhaalla mahdollisella tavalla.

F

ES

PT

DE

IT

NL

SU

Muista, että ajamiseen keskittyminen on aina puhelua tärkeämpää!

Matkapuhelimen käyttö ajon aikana häiritsee keskittymistä, mikä voi lisätä onnettomuusvaaraa. Pysäköi tien sivuun ennen soittamista tai puhelun vastaamista, jos ajo-olosuhteet ovat vaikeat (esim. sää on huono, tiellä on ruuhkaa, autossa on lapsia tai keliolosuhteet ovat huonot). Pyri myös pitämään puhelut lyhyin äläkä tee tai lue muistiinpanoja tai tee muuta vastaavaa.

Aja turvallisesti ja noudata paikallisia lakeja.

NO

Tietoja Jabra BT5010 -kuulokkeesta

1 Vastaus-/lopetuspainike

2 Latausliitin

3 Korvakoukku

4 Äänivoimakkuuden lisäys (oletus)

5 Äänivoimakkuuden vähennys (oletus)

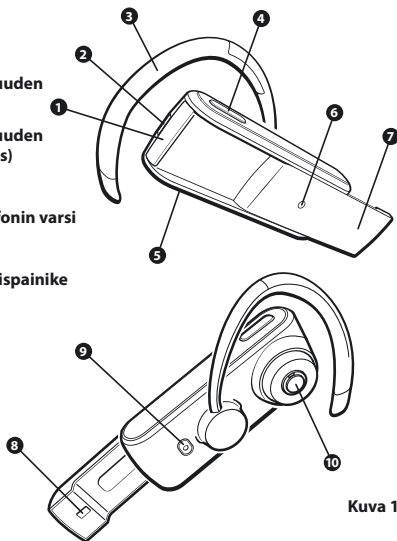
6 Merkkivalo

7 Avattava mikrofonin varsi

8 Mikrofoni

9 Virta-/lyhdistämissäkin

10 Kaiutin



Kuva 1

Kuulokkeen ominaisuudet

Jabra BT5010 -kuulokkeiden toiminnot:

- Puheluihin vastaaminen
- Puhelujen lopettaminen
- Puhelujen hylkääminen*
- Äänikomennot*
- Viimeisen numeron uudelleenvalinta*
- Koputus*
- Puhelun asettaminen pitoon*
- Mykistys
- Värintoiminto

* Puhelimesta riippuen

Tekniset tiedot

- Jopa 10 tuntia puheaikaa ja 240 tuntia valmiusaikaa
- Ladattava akku, joka voidaan ladata verkkovirralla, tietokoneella USB-kaapelin avulla tai autolaturilla (ei mukana)
- Paino 20 grammaa
- Akun varaustason ilmaisain
- Käyttöalue jopa 10 metriä
- Kuuloke- ja handsfree-Bluetooth-profiilit
- Bluetooth-versio (katso sanasto) 2.0

ALOITTAMINEN

Jabra BT5010 -kuuloketta on helppo käyttää. Kuulokkeen vastaus-/lopetuspainikkeella suoritetaan eri toimintoja riippuen siitä, miten kauan sitä painetaan.

Ohje	Painamisen kesto
Napsauta	Paina lyhyesti
Paina	Noin 1 sekunti
Pidä painettuna	Noin 5 sekuntia

GB

F

ES

PT

DE

IT

NL

SU

NO

SE

DK

GR

1. Kuulokkeen lataus

Varmista ennen Jabra BT5010 -kuulokkeen käyttöä, että sen akku on ladattu täyteen (kahden tunnin ajan). Käytä pistorasiaan kytkettyä verkkomuuntajaa tai lataa akku suoraan tietokoneesta laitteen mukana tulleen USB-kaapelin avulla. Käytä vain laitteen mukana toimitettua laturia. Muiden laitteiden laturien käyttö voi vaurioittaa Jabra BT5010 -kuuloketta.

Kytke kuuloke **kuvan 2** mukaisesti. Kuuloke latautuu, kun merkkivalo palaa punaisena. Kun merkkivalo palaa vihreänä, kuuloke on täysin latautunut.

2. Kuulokkeen virran kytkentä ja katkaisu

- Kytke kuulokkeen virta **painamalla** virta-/yhdistämissäpainiketta (**katso kuva 1**). Merkkivalo ilmaisee akun varaustason. Tämä ilmaisee myös, että Jabra BT5010 -kuulokkeen virta on kytketty (**katso kohta 7**).
- Katkaise kuulokkeen virta **painamalla** virta-/yhdistämissäpainiketta, kunnes merkkivalo vilkkuu hetken aikaa.

3. Yhdistäminen matkapuhelimeen

Jabra BT5010 -kuuloke on yhdistettävä matkapuhelimeen ennen käyttöä.

1. Aseta kuuloke yhdistämistilaan

- Varmista, että kuulokkeen virta on katkaistu.
- **Paina** virta-/yhdistämissäpainiketta (☞), kunnes merkkivalo palaa sinisenä.

2. Aseta Bluetooth-puhelin "löytämään" Jabra BT5010

Noudata puhelimen käyttöohjetta. Yleensä ensin siirrytään **puhelimien** asetus-, yhteys- tai Bluetooth-valikkoon, josta valitaan toiminto, jolla "löydetään" tai "lisätään" Bluetooth-laite* (**kuvassa 3 on tyypillisen matkapuhelimen mukainen esimerkki**).

3. Puhelin löytää Jabra BT5010 -kuulokkeen

Puhelin kysyy, haluatko yhdistää sen. Hyväksy painamalla puhelimesta "Kyllä" tai "OK" ja vahvista antamalla **tunnusluku tai PIN-koodi 0000 (neljä nollaa)**. Puhelin ilmoittaa, kun yhdistäminen on valmis. Jos yhdistäminen epäonnistui, suorita uudelleen vaiheet 1–3.

4. Käyttöpuolen vaihto

Jabra BT5010 -kuuloke on asetettu oletuksena oikeassa korvassa käytettäväksi. Jos haluat käyttää sitä vasemmassa korvassa, vedä korvakoukku ulos, käännä se ja asenna kuvan mukaisesti (**kuva 4**).

Paras yhteys saavutetaan, kun Jabra BT5010 ja matkapuhelin ovat kehon samalla puolella tai näköyhteydessä toisiinsa. Yleensä saavutetaan parempi yhteys, kun kuulokkeen ja puhelimen välissä ei ole esteitä (**kuva 5**).

5. Avattava mikrofonin varsi

Avattavalla mikrofonin varrella voidaan vastata puheluihin ja lopettaa ne, mutta varren avaaminen parantaa myös äänen laatua.

Puheluun voidaan vastata avaamalla mikrofonin varsi ja puhelu voidaan lopettaa liu'uttamalla mikrofonin varsi takaisin kiinni.

Jabra BT5010 -kuuloketta voidaan käyttää mikrofonin varren ollessa kummassa tahansa asennossa, mutta äänenlaatu on paras mahdollinen mikrofonin varren ollessa avattuna.

6. Miten eri toimintoja käytetään

Puheluun vastaus

- Vastaa puheluun **napsauttamalla** kuulokkeen vastaus-/lopetuspainiketta tai
- Vastaa puheluun **avaamalla** mikrofonin varsil

Puhelun lopetus

- Lopeta käynnissä oleva puhelu **napsauttamalla** vastaus-/lopetuspainiketta tai
- Lopeta käynnissä oleva puhelu **sulkemalla** mikrofonin varsi

Puhelun soitto

- Kun soitat matkapuhelimesta, puhelu siirtyy (puhelimen asetusten mukaisesti) automaattisesti kuulokkeeseen. Jos puhelimesta ei ole tätä toimintoa, siirrä puhelu Jabra BT5010 -kuulokkeeseen napsauttamalla kuulokkeen vastaus-/lopetuspainiketta.

GB

Puhelun hylkäys*

- Hylkää saapuva puhelu **painamalla** vastaus-/lopetuspainiketta puhelimen soidessa. Puhelimen asetusten mukaan puhelu joko ohjautuu puhepostiin tai soittaja kuulee varattu-äänen.

F

ES

Äänikomentojen käyttöönotto*

- Napsauta** vastaus-/lopetuspainiketta. Paras tulos saavutetaan tallentamalla äänikomennot kuulokkeen kautta. Lisätietoja tämän toiminnon käytöstä on puhelimen käyttöohjeessa.

PT

DE

Viimeisen numeron uudelleenvalinta*

- Paina** vastaus-/lopetuspainiketta.

IT

Äänenvoimakkuuden säätö

- Säädä äänenvoimakkuutta **painamalla** äänenvoimakkuuden lisäys- tai vähennyspainiketta (+ tai -). (*Äänenvoimakkuuden lisäyspainike on oletuksena yläpuolella, kun kuuloketta käytetään oikeassa korvassa*)

NL

SU

- Mykistä kuuloke **painamalla sekä** äänenvoimakkuuden lisäys- että vähennyspainikkeita yhtä aikaa. Puhelun ollessa mykistettynä kuuluu hiljainen hälytysääni.

NO

SE

- Poista mykistys käytöstä **napsauttamalla** jompaakumpaa äänenvoimakkuuspainiketta.

DK

Koputus ja puhelun asettaminen pitoon*

Voit asettaa käynnissä olevan puhelun pitoon, jos haluat vastata toiseen puheluun.

GR

- Aseta käynnissä oleva puhelu pitoon **painamalla** kerran vastaus-/lopetuspainiketta ja vastaa koputtavaan puheluun.
- Siirry puhelujen välillä **painamalla** vastaus-/lopetuspainiketta.
- Lopeta käynnissä oleva puhelu **napsauttamalla** vastaus-/lopetuspainiketta.

* Tähdellä merkityt toiminnot riippuvat siitä, tukeeko puhelin niitä. Lisätietoja on puhelimen käyttöohjeessa.

Värinätoiminto

- Pidä** molempia äänenvoimakkuuspainikkeita **painettuina** valmiustilassa.

Äänenvoimakkuuspainikkeet

Vaihda äänenvoimakkuuspainikkeiden suunta (kuuloke on oletuksena asetettu käytettäväksi oikeassa korvassa) seuraavasti

- Pidä** vastaus-/lopetuspainiketta **painettuna** valmiustilassa ja **napsauta** painiketta, jolla haluat lisätä äänenvoimakkuutta.

7. Akun varaustason ilmaisin

Kun Jabra BT5010 -kuulokkeeseen kytketään virta tai kun painiketta painetaan yli minuutin kuluttua edellisestä painalluksesta, merkkivalo ilmaisee kuulokkeen akun varaustason.

Merkkivalot	Akun varaustaso
4 vihreää välähdystä	Varaustaso 75–100 %
3 vihreää välähdystä	Varaustaso 50–75 %
2 vihreää välähdystä	Varaustaso 25–50 %
1 punainen välähdys	Varaustaso alle 25 %

8. Valojen merkitys

Merkkivalot	Kuulokkeen tila
Useita välähdyksiä	Tarkista akun varaustason ilmaisin (kohta 7)
Vilkkuva sininen ja vihreä valo	Saapuva puhelu
Vilkkuva sininen valo	Vilkkuu sekunnin välein: käynnissä oleva puhelu
Vilkkuva sininen valo	Vilkkuu kolmen sekunnin välein: valmiustilassa (lakkaa minuutin kuluttua)
Vilkkuva punainen valo	Akun varaus vähissä
Tasaisesti palava vihreä merkkivalo	Täysin latautunut
Tasaisesti palava punainen valo	Lataa
Tasaisesti palava sininen valo	Yhdistämistilassa (katso kohta 3)

9. Jabra Bluetooth -sovittimen käyttö

Jos Jabra BT5010 -kuuloketta halutaan käyttää muiden kuin Bluetooth-matkapuhelinten kanssa, voidaan käyttää Jabra A210 -sovitinta.

Näin saadaan käyttöön langaton yhteys, jossa voidaan käyttää seuraavia kuulokkeen toimintoja: puheluun vastaaminen, puhelun lopettaminen, äänikomennot (jos puhelin tukee toimintoa) ja mykistys. Matkapuhelimen kuulokeliitäntä ei ehkä tue seuraavia toimintoja: puhelun hylkäys, viimeisen numeron uudelleenvalinta ja puhelun asettaminen pitoon.

Jabra BT5010 -kuulokkeen ja Jabra A210 -sovittimen yhdistäminen

Yhdistäminen tapahtuu seuraavasti:

- Aseta Jabra BT5010 yhdistämistilaan.
- Aseta Jabra A120 -sovitin yhdistämistilaan.
- Aseta laitteet lähemmäksi. Kahden Jabra-tuotteen yhdistämiseen ei tarvita erillistä PIN-koodia. Lisätietoja on Jabra A210 -sovittimen käyttöohjeessa.

Puhelun soittaminen / puheluun vastaaminen Jabra A210 -sovittimen avulla

- Kun soitat matkapuhelimesta, puhelu siirretään automaattisesti kuulokkeeseen (jos sen virta on kytketty)
- Puheluun vastaaminen: Napsauta kuulokkeen vastaus-/lopetuspainiketta, avaa mikrofonin varsi tai paina matkapuhelimen vastauspainiketta

10. Vianetsintä ja usein kysytyt kysymykset

Kuulokkeesta kuuluu raskaalevää ääntä

- Paras äänenlaatu saavutetaan, kun kuuloke ja matkapuhelin ovat kehon samalla puolella

Kuulokkeesta ei kuulu mitään

- Lisää kuulokkeen äänenvoimakkuutta.
- Varmista, että kuuloke on yhdistetty puhelimeen.
- Varmista, että puhelimen ja kuulokkeen yhteys on toiminnassa – jos yhteyden muodostaminen ei onnistu joko puhelimen Bluetooth-valikosta tai vastaus-/lopetuspainiketta napsauttamalla, suorita yhdistäminen uudelleen (*katso kohta 3*).

Yhdistäminen ei onnistu, vaikka puhelin ilmaisee toisin

- On mahdollista, että kuulokkeen yhteys on poistettu matkapuhelimesta. Noudata kohdan 3 yhdistämishjeita.

Toimiiko Jabra BT5010 muiden Bluetooth-laitteiden kanssa?

- Jabra BT5010 on suunniteltu käytettäväksi Bluetooth-matkapuhelimen kanssa. Se saattaa toimia myös muiden, Bluetooth-version 1.1, 1.2 tai 2.0 kanssa yhteensopivien kuuloke- ja/tai handsfree-profiileja tukevien Bluetooth-laitteiden kanssa.

Puhelun hylkäys, puhelun pito, uudelleenvalinta tai äänivalinta ei toimi

- Nämä toiminnot riippuvat siitä, tukeeko puhelin niitä. Lisätietoja on puhelimen käyttöohjeessa.

11. Lisäohjeita

Jabran Internet-asiakastuki on osoitteessa www.jabra.com. Voit myös katsoa oman maasi tukitiedot kannen sisällehdeiltä.

12. Kuulokkeen hoito

- Jabra BT5010 on säilytettävä huolellisesti, ja siitä on katkaistava virta säilytyksen ajaksi.
- Älä säilytä laitetta hyvin korkeissa tai matalissa lämpötiloissa (yli 45 °C: een lämpötilassa, kuten suorassa auringonpaisteessa, tai alle -10 °C: een lämpötilassa). Tämä voi lyhentää pariston käyttöikää ja vaikuttaa laitteen käyttöön. Korkea lämpötila saattaa myös heikentää laitteen toimintaa.
- Älä käytä Jabra BT5010 -kuuloketta sateessa äläkä anna sen kastua.

13. Takuu

Jabra (GN Netcom) antaa tälle tuotteelle kahden vuoden materiaali- ja valmistusvirhetakuun alkuperäisestä ostopäivästä lukien. Takuun ehdot ja valmistajan vastuut takuuseen liittyen ovat seuraavat:

- Takuu koskee vain alkuperäistä ostajaa
- Takuu edellyttää kopiota ostokuitista tai muuta ostotodistusta
- Takuu raukeaa, jos tuotteen sarjanumero, päivämäärämerkintä tai tuotemerkintä on poistettu tai jos valtuuttamaton, ulkopuolinen henkilö on käsitellyt tuotetta väärin, asentanut sen väärin, muunnellut tai korjannut sitä
- Jabra (GN Netcom) -tuotteiden takuuvastuu rajoittuu tuotteen korjaamiseen tai vaihtamiseen yrityksen oman harkinnan mukaan
- Jabra (GN Netcom) -tuotteita mahdollisesti koskeva oletettu takuu rajoittuu kaikkien osien, myös johtojen ja liitinten, osalta kahteen vuoteen ostopäivästä lukien

- Mitkään takuut eivät koske normaalille kulumiselle alttiita kulutusosia, kuten mikrofonin tuulisuojuksia, korvatyynyjä, pintakoristeluja, akkuja ja muita lisävarusteita
- Jabra (GN Netcom) ei ole vastuussa mistään satunnaisista tai väillillisistä vahingoista, jotka aiheutuvat Jabra (GN Netcom) -tuotteiden asianmukaisesta tai virheellisestä käytöstä
- Tämä takuu antaa käyttäjälle tietyt oikeudet, ja käyttäjällä saattaa olla muitakin oikeuksia asuinpaikasta riippuen.
- Ellei käyttöoppaassa muuta mainita, käyttäjä ei missään tilanteessa saa yrittää huoltaa, säätää tai korjata tätä laitetta, ovatpa huoltokohteet takuunalaisia tai eivät. Kaikkia tällaisia toimenpiteitä varten tuote on toimitettava ostopaikkaan, tehtaalte tai valtuutettuun huoltopisteeseen
- Jabra (GN Netcom) ei ole vastuussa mistään kuljetuksen aikana tapahtuvista menetyksistä tai vahingoista. Jabra (GN Netcom) -tuotteiden kaikki takuut raukeavat, jos tuotteita korjaa valtuuttamaton, ulkopuolinen henkilö

14. Sertifikaatit ja turvahyväksynät

CE

Tämä laite on CE-hyväksytty radio- ja telepäätelaitedirektiivin R & TTE (1999/5/EY) määräysten mukaisesti. GN Netcom vakuuttaa täten, että tuote on direktiivin 1999/5/EY olennaisten vaatimusten ja muiden asiaankuuluvien määräysten mukainen.

Lisätietoja osoitteesta www.jabra.com

Tämä laite on tarkoitettu käytettäväksi seuraavissa EU-maissa: Belgia, Espanja, Hollanti, Irlanti, Iso-Britannia, Italia, Itävalta, Kreikka, Kypros, Latvia, Liettua, Luxemburg, Malta, Portugali, Puola, Ranska, Ruotsi, Saksa, Slovakia, Slovenia, Suomi, Tanska, Tšhekki, Unkari, Viro, ja Efta-maissa: Islanti, Norja ja Sveitsi.

Bluetooth

The Bluetooth®-sana, merkki ja logot ovat Bluetooth SIG, Inc:n omaisuutta, ja GN Netcom käyttää niitä erikoisluvalla. Muut tavamerkit ja kauppanimet ovat omistajiensa omaisuutta.

15. Sanasto

Bluetooth on radioteknologia, jolla matkapuhelinten ja kuulokkeiden kaltaisia laitteita voidaan yhdistää toisiinsa ilman johtoja lyhyeltä etäisyydeltä (noin 10 metriä). Lisätietoja on osoitteessa www.bluetooth.com.

Bluetooth-profiilit ovat eri tapoja, joiden avulla Bluetooth-laitteet viestivät keskenään. Bluetooth-puhelimet tukevat joko kuulokeprofiilia, handsfree-profiilia tai molempia. Jotta puhelin tukisi tiettyä profiilia, puhelimen valmistajan on sisällytettävä puhelimen ohjelmistoon tietyt pakolliset ominaisuudet.

Yhdistäminen luo kahden Bluetooth-laitteen välille erillisen ja salaustekniikalla suojatun yhteyden, jonka kautta ne voivat viestiä keskenään. Bluetooth-laitteet eivät toimi, jos niitä ei ole yhdistetty.

Tunnusluku tai PIN on salainen koodi, joka on annettava Bluetooth-laitteeseen, kuten matkapuhelimeen, jotta se voidaan yhdistää Jabra BT5010 -kuulokkeeseen. Sen avulla Bluetooth-laite ja Jabra BT5010 -kuuloke tunnistavat toisensa ja toimivat automaattisesti yhdessä.

Valmiustilassa Jabra BT5010 odottaa puhelua. Kun puhelu lopetetaan matkapuhelimella, kuuloke siirtyy valmiustilaan.



Tuotetta koskevat määräykset noudattavat kunkin maan omia standardeja ja säännöksiä.

www.jabra.com/weee

Jabra BT5010 Bluetooth headset

GB

F

ES

PT

DE

IT

NL

SU

NO

SE

DK

GR

Norsk

GB

F

ES

PT

DE

IT

NL

SU

NO

SE

DK

GR

Takk	98
Om Jabra BT5010	98
Dette kan det nye headsettet ditt gjøre	99
KOMME I GANG	99
1. Lade opp headsettet	100
2. Slå av og på headsettet	100
3. Spleise med telefonen	100
4. Gå med den som du vil	101
5. Utskyvbar "boom arm"	101
6. Slik kan du	101
7. Batteriindikator	102
8. Dette betyr indikatorlysene	103
9. Bruke Jabra Bluetooth-adapter	103
10. Feilsøking og Spørsmål og svar	104
11. Trenger du mer hjelp?	104
12. Ta vare på headsettet	104
13. Garanti	105
14. Sertifisering og sikkerhetsgodkjenninger	106
15. Ordliste	106

GB **Takk**

Takk for at du kjøpte et Jabra BT5010 Bluetooth-headsett. Vi håper du får glede av det! Denne brukerhåndboken hjelper deg å komme i gang og få mest mulig utbytte av headsettet.

F

ES

PT

DE

IT

NL

SU

NO

SE

DK

GR

Husk at kjøringen er førsteprioritet, ikke anropet!

Bruk av mobiltelefon i bil kan distrahere deg og øke faren for ulykker. Kjør til side og parker bilen før du besvarer eller foretar anrop når kjøreforholdene krever det (f.eks. dårlig vær, stor trafikk, barn i bilen, vanskelige veiforhold). Prøv også å gjøre samtaler korte, og ikke ta notater eller les dokumenter.

Kjør alltid trygt, og følg alle gjeldende lover.

Om Jabra BT5010

- 1 Svar-/avsluttknapp
- 2 Laderinngang
- 3 Ørebøyle
- 4 Volum opp (standard)
- 5 Volum ned (standard)
- 6 LED-indikator
- 7 Utskyvbar "boom arm"
- 8 Mikrofon
- 9 Spleising av/på-knapp
- 10 Høytaler

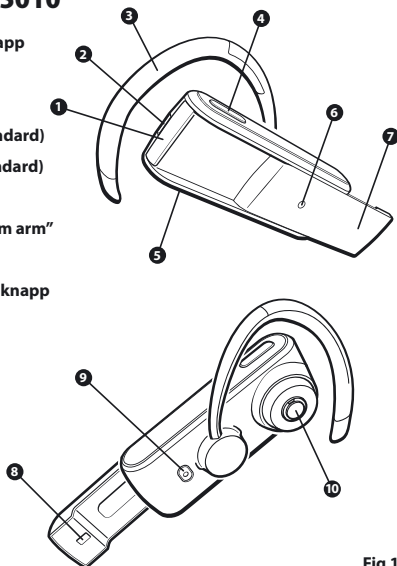


Fig 1

Dette kan det nye headsettet ditt gjøre

Med Jabra BT5010 kan du gjøre følgende:

- Besvare anrop
- Avslutte samtaler
- Avvise anrop*
- Ringe med stemmeaktivering*
- Slå forrige nummer*
- Benytte anrop venter*
- Sette en samtale på vent*
- Dempe lyden
- Aktivere/deaktivere vibreringsfunksjonen

* Avhengig av telefonen

Spesifikasjoner

- Samtaletid opptil 10 timer / standbytid opptil 240 timer
- Oppladbart batteri med mulighet for lading fra strømnettet, fra PC via USB-kabel eller fra billader (ikke inkludert)
- Vekt: 20 gram
- Batteriindikator
- Driftsområde opptil 10 meter
- Bluetooth-profiler for headsett og håndfri
- Bluetooth-spesifikasjon (se ordliste) versjon 2.0

KOMME I GANG

Jabra BT5010 er lett å bruke. Svar-/avsluttknappen aktiverer ulike funksjoner avhengig av hvor lenge du trykker på den.

Instruks	Varighet på trykket
Trykk lett	Kort trykk
Trykk	Ca.: 1 sekund
Trykk og hold inne	Ca.: 5 sekunder

GB

F

ES

PT

DE

IT

NL

SU

NO

SE

DK

GR

1. Lade opp headsettet

Forsikre deg om at Jabra BT5010-headsettet er fulladet i to timer før du begynner å bruke det. Bruk AC-adapteren til å lade fra strømmettet, eller lad direkte fra PC-en via den medfølgende USB-kabelen. Bruk kun laderen som følger med i esken. Ikke bruk ladere fra annet utstyr, da dette kan skade Jabra BT5010.

Koble til headsettet som vist i **Fig 2**. Når LED-indikatoren lyser rødt uavbrutt, lades headsettet. Når LED-indikatoren lyser grønt, er det fulladet.


2. Slå av og på headsettet

- **Trykk** på spleising av/på-knappen for å slå på headsettet (**se Fig 1**). LED-en viser batteristatusen for å vise at Jabra BT5010 er på (**se avsnitt 7**)
- **Trykk** på spleising av/på-knappen til du ser en serie med blinking for å slå av headsettet

3. Spleise med telefonen

Før du tar i bruk Jabra BT5010 må det spleises med mobiltelefonen.

1. Sett headsettet i spleisemodus

- Kontroller at headsettet er slått av.
- **Trykk** på spleising av/på-knappen merket  til LED-indikatoren lyser blått uavbrutt.

2. Still inn Bluetooth-telefonen til å "oppdage" Jabra BT5010

Følg instruksene i brukerhåndboken for telefonen. Dette betyr vanligvis at du må gå til en "Innstillinger"-, "Koblinger"- eller "Bluetooth"-meny på telefonen og velge alternativet "Oppdag" eller "Legg til" en Bluetooth-enhet.* (**Se eksempel fra en vanlig mobiltelefon i Fig. 3**).

3. Telefonen din finner Jabra BT5010

Telefonen spør så om du vil spleise de to enhetene. Godkjenn spleisingen ved å trykke på "Ja" eller "OK" på telefonen, og bekreft ved å taste inn **passkeykode eller PIN = 0000 (4 nuller)**. Telefonen bekrefter når spleisingen er fullført. Dersom spleisingen mislykkes, gjentar du trinn 1 til 3.

4. Gå med den som du vil

Jabra BT5010 er klar til å sette bak det høyre øret. Dersom du foretrekker venstre øre, kan du ta ut ørebøylen og sette i som vist (**se Fig. 4**).

For optimal ytelse bør du bære Jabra BT5010 og mobiltelefonen på samme side av kroppen eller innenfor siktløpe. Generelt sett er ytelsen bedre når det ikke er hindre mellom headsettet og mobiltelefonen (**se Fig 5**)

5. Utskyvbare "boom arm"

Den utskyvbare "boom-armen" benyttes til å svare på og avslutte anrop, men sørger også for økt lyd kvalitet når den er trukket ut.

Svar på innkommende anrop ved å skyve ut "boom-armen," og avslutt samtalen ved å skyve den tilbake på plass.

Jabra BT5010 kan naturligvis benyttes med "boom-armen" i begge stillinger, men best lyd kvalitet oppnås i åpen stilling.

6. Slik kan du...

Besvare et anrop

- **Trykk lett** på svar-/avslutt-knappen på headsettet for å svare på et anrop eller
- **Åpne** den utskyvbare "boom-armen" for å besvare anropet

Avslutte en samtale

- **Trykk lett** på svar-/avslutt-knappen for å avslutte en aktiv samtale eller
- **Lukk** den utskyvbare "boom-armen" for å avslutte en aktiv samtale

Foreta et anrop

- Hvis du foretar et anrop fra mobiltelefonen, vil samtalen (avhengig av telefonens innstillinger) automatisk bli satt over til headsettet. Dersom telefonen ikke har denne funksjonen, kan du trykke lett på Jabra BT5010s svar-/avsluttknapp for å overføre samtalen til headsettet.

Avvise samtaler*

- **Trykk på svar-/avsluttknappen** når telefonen ringer for å avvise innkommende anrop. Avhengig av telefonens innstillinger vil anropet enten bli satt over til din MobilSvar-tjeneste, eller få et opptattsignal

- GB Aktivere stemmeaktivert oppringing***
- **Trykk lett på svar-/avsluttknappen.** Best resultat oppnås ved å spille inn stemmemerket via headsettet. Du finner mer informasjon om disse funksjonene i telefonens brukerhåndbok.

- ES Gjenta siste slåtte nummer***
- **Trykk på svar-/avsluttknappen.**

- PT Juster lyd og volum**
- **Trykk på volum opp eller ned (+ eller -) for å justere volumet.** (*Volum opp-knappen er alltid øverst på headsettet når det sitter på høyre øre.*)
 - **Trykk på begge volumknappene (opp og ned) samtidig for å dempe lyden.** En svak pipelyd avgis ved dempet samtale.
 - **Trykk lett på én av volumknappene for å fjerne demping.**

- NL Samtale venter og sette en samtale på vent***
- Med denne funksjonen kan du sette en samtale på vent mens du snakker, og svare på en ventende samtale.

- **Trykk én gang på svar-/avsluttknappen for å sette den aktive samtalen på vent og svare på den ventende samtalen.**
- **Trykk på svar-/avsluttknappen for å veksle mellom de to samtalen.**
- **Trykk lett på svar-/avsluttknappen for å avslutte den aktive samtalen.**

- * Funksjoner som er merket med * avhenger av om telefonen din har støtte for disse funksjonene. Se telefonens brukerhåndbok for mer informasjon.

- DK Aktivere/deaktivere vibreringsfunksjonen**
- **Trykk på og hold inne** begge volumknappen i standbymodus.

- GR Volumknapper**
- Volumknappenes retning (standardinnstilling er for øre) endres ved å:
- **Trykke på og holde inne** svar-/avsluttknappen i standbymodus og trykke lett på ønsket knapp.

7. Batteriindikator

Når Jabra BT5010 er slått på eller du trykker på en knapp i mer enn 1 minutt etter siste tastetrykk, viser LED-en headsettets batterinivå.

Hva du ser	Batterinivå
4 grønne blink	75–100 % ladet
3 grønne blink	50–75 % ladet
2 grønne blink	25–50 % ladet
1 rødt blink	Mindre enn 25 % ladet

8. Dette betyr indikatorlysene

Hva du ser	Hva dette betyr om headsettet ditt
Serier med blinking	Se batteriindikator (avsnitt 7)
Blinkende blå og grønne lys	Innkommende anrop
Blinkende blått lys	Blinker hvert sekund: aktiv samtale
Blinkende blått lys	Blinker hvert tredje sekund: i standbymodus (kun i 1 minutt, og deretter slås det av)
Blinkende rødt lys	Lavt batteri
Kontinuerlig grønt lys	Helt ladet
Kontinuerlig rødt lys	Lader
Kontinuerlig blått lys	I spleisemodus – (se avsnitt 3)

9. Bruke Jabra Bluetooth-adapter

Dersom du ønsker å bruke Jabra BT5010 med en mobiltelefonen som ikke har Bluetooth, er Jabra A210-adapteren løsningen.

Det gir deg trådløsforbindelse med følgende headsettfunksjoner: svar/avslutt samtale, stemmeaktivert oppringing (dersom dette er støttet av telefonen) og demp. Avvis samtale, gjenta siste slåtte nummer og sette samtale på vent støttes antakelig ikke via headsettutgangen på mobiltelefonen.

Spleise Jabra BT5010 med Jabra A210

- Fremgangsmåten ved spleising er litt annerledes:
- Sett Jabra BT5010 i spleisemodus
 - Sett Jabra A210-adapteren i spleisemodus
 - Sett dem like ved hverandre. Du trenger ikke PIN-kode for å spleise de to Jabra-produktene. Se brukerhåndboken for Jabra A210-adapteren dersom du ønsker mer informasjon.

Foreta en oppringing/motta en samtale når du bruker Jabra A210

- Når du foretar en oppringing fra mobiltelefonen, vil den automatisk overføres til headsettet (dersom det er slått på)
- Slik svarer du på anrop: trykk enten lett på svar-/avsluttknappen på headsettet, skyv ut "boom-armen" eller trykk på svar-/avsluttknappen på mobiltelefonen

10. Feilsøking og Spørsmål og svar

Jeg hører spraking

- For å oppnå best mulig lyd kvalitet, bør du alltid bære headsettet på samme side av kroppen som mobiltelefonen

Jeg hører ikke noe i headsettet

- Øk volumet på headsettet.
- Kontroller at headsettet er spleiset med telefonen.
- Kontroller at telefonen er forbundet til headsettet. Hvis du ikke oppnår forbindelse enten fra telefonens Bluetooth-meny eller ved å trykke lett på svar-/avsluttknappen, gjenta spleiseprosedyren (*se avsnitt 3*).

Jeg har problemer i forbindelse med spleising, selv om telefonen ikke melder fra om dette

- Du kan ha slettet spleiseforbindelsen til headsettet fra mobiltelefonen. Følg spleiseinstruksjonene i avsnitt 3.

Fungerer Jabra BT5010 sammen med annet Bluetooth-utstyr?

- Jabra BT5010 er utviklet for bruk med Bluetooth-mobiltelefoner. Det kan også fungere med andre Bluetooth-enheter som er i overensstemmelse med Bluetooth-versjon 1.1, 1.2 eller 2.0, og støtter headsett- og/eller håndfri profiler.

Avvisse anrop, Samtale på vent, Gjenta siste slåtte nummer eller Stemmeaktivert oppringing fungerer ikke

- Disse funksjonene avhenger av om telefonen din har støtte for dem. Se i telefonens brukerhåndbok dersom du ønsker mer informasjon.

11. Trenger du mer hjelp?

Besøk Jabras kundestøtte på Internett på www.jabra.com, eller se inni omslaget for å finne informasjon om kundestøtte i ditt land.

12. Ta vare på headsettet

- Jabra BT5010 må alltid oppbevares med strømmen slått av og godt beskyttet
- Må ikke oppbevares i høye temperaturer (over 45 °C), som f.eks. i direkte sollys, og under -10 °C. Dette kan redusere batteriets levetid og påvirke driften. Høye temperaturer kan også redusere ytelsen
- Jabra BT5010 må ikke utsettes for regn eller andre væsker

13. Garanti

Jabra (GN Netcom) gir garanti for dette produktet for alle material- eller produksjonsdefekter for to år fra opprinnelig kjøpsdato. Betingelsene for denne garantien og vårt ansvar iht. denne garantien er som følger:

- Garantien gjelder kun for opprinnelig kjøper
- Det må fremvises kopi av kvittering eller annet kjøpsbevis
- Garantien er ikke gyldig hvis serienummeret, datokodetiketten eller produktetiketten fjernes, eller dersom produktet har blitt utsatt for fysisk mishandling, feilaktig installering, modifisering eller reparasjon foretatt av uautoriserte tredjeparter
- Jabras (GN Netcom) produktansvar er begrenset til reparasjon eller utskifting av produktet etter eget forgodtbefinnende
- Enhver underforstått garanti for Jabras (GN Netcom) produkter er begrenset til to år fra kjøpsdato for alle parter, inkludert ledninger og konnektorer
- Unntatt fra denne garantien er forbrukskomponenter med begrenset levetid som er utsatt for normal slitasje, som mikrofonvindskjermer, øreputer, dekorative overflater, batterier og annet tilbehør
- Jabra (GN Netcom) er ikke erstatningsansvarlig for noen bi- eller følgeskader som resultat av bruk eller misbruk av noen av Jabras (GN Netcom) produkter
- Denne garantien gir deg spesifikke rettigheter, og du kan også ha andre rettigheter som varierer avhengig av område
- Med mindre annet er oppgitt i brukerhåndboken, må brukeren ikke, under noen omstendigheter, prøve å utføre service, justeringer eller reparasjoner på denne enheten, innenfor eller utenfor garantiperioden. Den må returneres til salgssted, fabrikk eller autorisert serviceagentur for slikt arbeid
- Jabra (GN Netcom) påtar seg ikke ansvar for tap eller skade som oppstår under frakt. Reparasjonsarbeid som er fortatt på Jabras (GN Netcom) produkter av uautoriserte tredjeparter fører til at garantien oppheves

GB 14. Sertifisering og sikkerhetsgodkjenninger

CE

Dette produktet er CE-merket iht. bestemmelsene i R & TTE-direktivet (1999/5/EG). GN Netcom erklærer herved at dette produktet er i samsvar med de viktigste krav og andre aktuelle bestemmelser i Direktiv 1999/5/EG.

For ytterligere informasjon, se www.jabra.com

I EU er dette apparatet ment å brukes i Østerrike, Belgia, Kypros, Tsjekkia, Danmark, Estland, Finland, Frankrike, Tyskland, Hellas, Ungarn, Irland, Italia, Latvia, Litauen, Luxembourg, Malta, Polen, Portugal, Slovakia, Slovenia, Spania, Sverige, Nederland, Storbritannia, og innen EFTA i Norge, Sveits og på Island.

Bluetooth

Ordmerket og logoene Bluetooth® eies av Bluetooth SIG, Inc., og enhver bruk av slike merker av GN Netcom er lisensiert. Andre varemerker og varenavn tilhører de respektive eierne.

NO 15. Ordliste

Bluetooth er en radioteknologi som er utviklet for å koble sammen enheter, som f.eks. mobiltelefoner og headsett, uten ledninger eller kabler, over korte avstander (ca. ti meter). Du finner mer informasjon på www.bluetooth.com.

Bluetooth-profilene er de ulike måtene Bluetooth-enheter kommuniserer med andre enheter på. Bluetooth-telefoner støtter enten headsettprofilen, handsfree-profilen eller begge deler. For at en telefon skal støtte en viss profil, må telefonprodusenten implementere visse obligatoriske funksjoner i telefonens programvare.

Spleising oppretter en unik og kryptert forbindelse mellom to Bluetooth-enheter og lar dem kommunisere med hverandre. Bluetooth-enheter virker ikke dersom enhetene ikke er spleiset.

Passkey eller PIN er en kode som du taster inn på en Bluetooth-aktivert enhet (f.eks. en mobiltelefon) for å spleise den med Jabra BT5010. På denne måten kan enheten og Jabra BT5010 gjenkjenne hverandre og automatisk fungere sammen.

Standbymodus er når Jabra BT5010 venter passivt på et anrop. Når du avslutter en samtale på mobiltelefonen, går headsettet over i standby-modus.



Produktet må kun kastes i overensstemmelse med lokale miljøbestemmelser. www.jabra.com/weee

Svenska

Tack	108
Om Jabra BT5010	108
Vad du kan göra med ditt nya headset	109
KOMMA IGÅNG	109
1. Ladda headsetet	110
2. Slå på och stänga av headsetet	110
3. Para ihop headsetet med telefonen	110
4. Bär headsetet hur du vill	111
5. Den skjutbara mikrofonarmen	111
6. Så här	111
7. Batteriindikatorn	113
8. Vad de olika lysdioderna betyder	113
9. Använda en Jabra Bluetooth-adapter	114
10. Felsökning och vanliga frågor	114
11. Behöver du mer hjälp?	115
12. Var rädd om ditt headset	115
13. Garanti	116
14. Intyg och uppfyllande av säkerhetsbestämmelser	117
15. Ordlista	118

GB **Tack**

F Tack för att du har valt att köpa ett Jabra BT5010 Bluetooth-headset. Vi hoppas att det ska ge dig mycket nöje! I den här bruksanvisningen får du hjälp att börja använda headsetet och tips om hur du får ut så mycket som möjligt av användningen.

PT **Kom ihåg att bilkörningen kommer i första hand, inte något telefonsamtal!**

DE Du kan bli distraherad om du använder en mobiltelefon medan du kör bil, och det kan medföra en ökad risk för att en olycka ska inträffa. Kör av vägen och parkera bilen innan du tar emot eller ringer ett samtal om trafiksituationen kräver det (t.ex. vid dåligt väder, tät trafik, svåra körförhållanden eller om det finns barn i bilen). Försök även att hålla samtalen korta och undvik att göra anteckningar eller läsa i dokument.

SU **Kör alltid på ett säkert sätt och följ alla lokala lagar.**

NO **Om Jabra BT5010**

- SE
- 1 Svavs-/avslutningsknapp
 - 2 Laddningskontakt
 - 3 Öronbygel
 - 4 Volymökning (standard)
 - 5 Volymsänkning (standard)
 - 6 Lysdiodsindikator
 - 7 Skjutbar mikrofonarm
 - 8 Mikrofon
 - 9 På/av- och ihoppningsknapp
 - 10 Högtalare

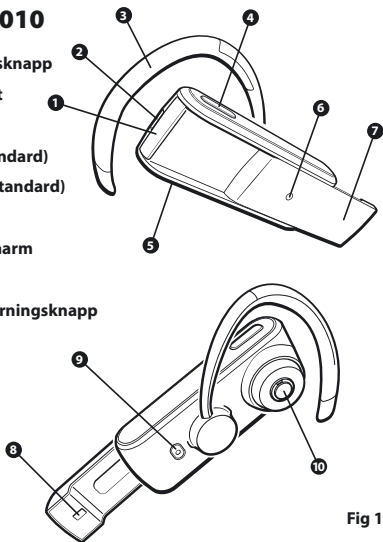


Fig 1

GB **Vad du kan göra med ditt nya headset**

Med Jabra BT5010 kan du göra allt det här:

- Besvara samtal
- Avsluta samtal
- Avvisa samtal*
- Använda röststyrningsfunktionen*
- Ringa upp det nummer som slagits senast*
- Använda funktionen Samtal väntar*
- Ställa ett samtal i kö*
- Stänga av mikrofonen
- Aktivera/avaktivera vibratorn

* Funktionen måste stödjas av den telefon som används

Specifikationer

- Taltid på upp till 10 timmar/passningstid på upp till 240 timmar
- Batteriet kan laddas från ett eluttag (växelström), en persondator via en USB-kabel eller en billaddare (medföljer inte)
- Vikt: 20 gram
- Batteriindikator
- Driftområde på upp till 10 meter
- Headset- och handsfreeprofiler för Bluetooth
- Bluetooth-specifikation (**se ordlistan**): version 2.0

KOMMA IGÅNG

Det är lätt att använda Jabra BT5010. Genom att trycka på svavs-/avslutningsknappen på headsetet olika länge kan du utföra olika funktioner.

Anvisning	Så här länge ska du hålla knappen nedtryckt
Snudda	Tryck lätt
Tryck på	Cirka: 1 sekund
Tryck på och håll ned	Cirka: 5 sekunder

1. Ladda headsetet

Ladda upp Jabra BT5010 helt i två timmar innan du använder headsetet för första gången. Använd nätadaptern om du vill ladda headsetet från ett eluttag, eller ladda upp det från datorn via den USB-kabel som medföljer vid leveransen. Använd bara de laddare som medföljer i förpackningen – använd inte laddare från andra produkter eftersom det kan skada Jabra BT5010.

Anslut headsetet på det sätt som visas i **fig. 2**. När lysdiodsindikatorn lyser med ett fast rött ljus laddas headsetet. När lysdiodsindikatorn lyser med grönt ljus är headsetet fulladdat.

2. Slå på och stänga av headsetet

- **Tryck** på på/av- och ihoppningsknappen för att slå på headsetet (**se fig. 1**). Batteristatusen visas med lysdioden för att markera att Jabra BT5010 har slagits på (**se avsnitt 7**).
- **Tryck** på på/av- och ihoppningsknappen för att stänga av headsetet tills du ser en rad blixtar.

3. Para ihop headsetet med telefonen

Innan du kan använda Jabra BT5010 måste du para ihop headsetet med en mobiltelefon.

1. **Ställ headsetet i ihoppningsläget**
 - Kontrollera att headsetet är avstängt.
 - **Tryck** på på/av- och ihoppningsknappen som har markerats med  till dess att lysdiodsindikatorn lyser med fast blått ljus.
2. **Ställ in Bluetooth-telefonen så att den söker efter Jabra BT5010**

Följ de anvisningar som ges i bruksanvisningen till telefonen. Normalt behöver man gå till en inställnings-, anslutnings- eller Bluetooth-meny **i telefonen** och välja att söka efter eller lägga till en Bluetooth-enhet.*
(Ett exempel från en typisk mobiltelefon ges i fig. 3.)
3. **Telefonen bör hitta Jabra BT5010**

Telefonen frågar sedan om du vill para ihop enheterna. Acceptera genom att trycka på "Ja" eller "OK" på telefonen och bekräfta med **lösenordet eller pinkoden = 0000 (fyra nollor)**. Telefonen bekräftar när ihoppningen har slutförts. Upprepa steg 1 till 3 om ihoppningen inte fungerade.

4. Bär headsetet hur du vill

Jabra BT5010 är anpassat för att bäras på höger öra. Om du föredrar att ha det på vänster öra ska du dra ut öronbygeln, vrida den och sätta den som bilden visar (**se fig. 4**).

Jabra BT5010 fungerar bäst om du bär headsetet och mobiltelefonen på samma sida av kroppen eller med fri siktlinje. I allmänhet fungerar headsetet bättre om det inte finns några hinder mellan det och mobiltelefonen (**se fig. 5**).

5. Den skjutbara mikrofonarmen

Den skjutbara mikrofonarmen används för att besvara och avsluta samtal, och när den är utdragen förbättras ljudkvaliteten.

Allt du behöver göra för att besvara ett samtal är att dra ut mikrofonarmen till det öppna läget, och för att avsluta samtalet skjuter du in armen till det stängda läget.

Jabra BT5010 kan användas med mikrofonarmen i båda lägena, men bäst ljudkvalitet fås i det öppna läget.

6. Så här...

Besvarar du ett samtal

- **Snudda** vid svars-/avslutningsknappen på headsetet för att besvara ett samtal eller
- **öppna** den skjutbara mikrofonarmen för att besvara samtalet

Avslutar du ett samtal:

- **Snudda** vid svars-/avslutningsknappen för att avsluta ett pågående samtal eller
- **stäng** den skjutbara mikrofonarmen för att avsluta det pågående samtalet

Ringer du ett samtal

- Om du ringer upp någon från mobiltelefonen, överförs samtalet (om rätt inställningar gjorts i telefonen) automatiskt till headsetet. Om den här funktionen inte är tillgänglig i mobiltelefonen kan du överföra samtalet till headsetet genom att snudda vid svars-/avslutningsknappen på Jabra BT5010.

GB **Avvisar du ett samtal***

- **Tryck på** svars-/avslutningsknappen när telefonen ringer för att avvisa det inkommande samtalet. Den person som ringer blir antingen vidarebefordrad till din telefonsvarare eller så hörs en upptagetton, beroende på telefoninställningarna.

F

ES **Aktiverar du röstuppringningsfunktionen***

- **Snudda** vid svars-/avslutningsknappen. Du får bäst resultat genom att spela in röstuppringningsfrasen via ditt headset. Läs i bruksanvisningen till din telefon om du vill ha mer information om den här funktionen.

PT

DE **Använder du återuppringningsfunktionen***

- **Tryck på** svars-/avslutningsknappen.

IT

Ändrar du ljudet och volymen

- **Tryck på** knapparna för volymökning och sänkning (+ eller -) för att justera volymen. (*Volymökningsknappen sitter som standard ovanpå headsetet när det bärs på höger öra.*)
- **Tryck på både** volymöknings- och volymsänkningsknappen samtidigt om du vill stänga av mikrofonen. En svag ljudsignal hörs under samtalet när mikrofonen är avstängd.
- **Snudda** vid en av volymknapparna om du vill aktivera mikrofonen igen.

NL

SU

NO

SE

Använder du funktionen för samtal väntar och ställer ett samtal i kö*

Med hjälp av den här funktionen kan du ställa ett pågående samtal i kö och ta ett väntande samtal.

- **Tryck på** svars-/avslutningsknappen en gång för att ställa det pågående samtalet i kö och besvara det väntande samtalet.
- **Tryck på** svars-/avslutningsknappen för att växla mellan de två samtalen.
- **Snudda** vid svars-/avslutningsknappen för att avsluta det pågående samtalet.

* Funktioner som har markerats med * fungerar enbart om telefonen stödjer dem. Läs i bruksanvisningen till din telefon för mer information.

Aktiverar/avaktiverar du vibratorn

- **Tryck på och håll ned** båda volymknapparna i passningsläget.

Volymknappar

Du kan ändra inställningen för volymknapparna på följande vis (standardinställningen är avsedd för att bära headsetet på höger öra)

- **Tryck på och håll ned** svars-/avslutningsknappen i passningsläget och **snudda** vid önskad knapp.

7. Batteriindikatorn

Lysdioden visar headsetets batterinivå när du slår på Jabra BT5010 eller trycker på en knapp mer än en minut efter den senaste knapptryckningen.

Ljussignal	Batterinivå
Fyra gröna blinkningar	75–100 % laddning
Tre gröna blinkningar	50–75 % laddning
Två gröna blinkningar	25–50 % laddning
En röd blinkning	Mindre än 25 % laddning

8. Vad de olika lysdioderna betyder

Ljussignal	Vad det betyder för headsetet
En serie blinkningar	Se Batteriindikatorn (avsnitt 7)
Blinkande blått och grönt ljus	Inkommande samtal
Blinkande blått ljus	Blinkar varje sekund: samtal pågår
Blinkande blått ljus	Blinkar var tredje sekund: i passningsläget (blinkar bara en minut innan ljuset stängs av)
Blinkande rött ljus	Batteriet börjar ta slut
Fast grönt ljus	Fulladdat
Fast rött ljus	Laddar
Fast blått ljus	I ihopparningsläget (se avsnitt 3)

GB

F

ES

PT

DE

IT

NL

SU

NO

SE

DK

GR

9. Använda en Jabra Bluetooth-adapter

Använd en Jabra A210-adapter om du vill använda Jabra BT5010 tillsammans med en mobiltelefon utan Bluetooth.

Med hjälp av adaptern får du trådlös anslutning och tillgång till följande funktioner med headsetet: besvara/avsluta samtal, använda röstuppringningsfunktionen (om funktionen stöds av telefonen) och möjlighet att stänga av mikrofonen. Det är inte säkert att funktionerna för att avvisa samtal, göra en återuppringning och placera samtal i kö stöds via headsetuttaget på mobiltelefonen.

Så här gör du för att para ihop Jabra BT5010 med Jabra A210

Ihoppningsprocessen är något annorlunda:

- Ställ Jabra BT5010 i ihoppningsläget.
- Ställ Jabra A210-adaptren i ihoppningsläget.
- Lägg enheterna nära varandra. Det krävs ingen särskild pinkod för att para ihop de två Jabra-produkterna. Läs i bruksanvisningen till Jabra A210-adaptren om du behöver mer information.

Ringa/besvara ett samtal med hjälp av Jabra A210

- När du ringer upp någon från mobiltelefonen kommer samtalet automatiskt att överföras till headsetet (om det är på)
- Så här gör du för att besvara ett samtal: Snudda vid svars-/avslutningsknappen på ditt headset, öppna mikrofonarmen eller tryck på svarsknappen på mobiltelefonen

10. Felsökning och vanliga frågor

Jag hör sprakljud

- Bäst ljudkvalitet får du om du alltid bär headsetet på samma sida av kroppen som mobiltelefonen

Jag hör ingenting i headsetet

- Öka volymen på headsetet.
- Kontrollera att headsetet har parats ihop med telefonen.
- Kontrollera att telefonen är ansluten till headsetet. Använd ihoppningsmetoden (*se avsnitt 3*) om det inte går att ansluta telefonen från dess Bluetooth-meny eller genom att snudda vid svars-/avslutningsknappen.

Jag har problem med att para ihop enheterna trots att min telefon visar något annat

- Du kan ha tagit bort headsetets ihoppningsanslutning i mobiltelefonen. Följ de anvisningar för ihoppning som ges i avsnitt 3.

Fungerar Jabra BT5010 med annan Bluetooth-utrustning?

- Jabra BT5010 är utformat att fungera med Bluetooth-mobiler. Headsetet kan också fungera med andra Bluetooth-enheter som är kompatibla med Bluetooth version 1.1, 1.2 eller 2.0 och som stödjer headset- och/eller handsfree-profiler.

Det går inte att använda funktionerna för samtal väntar, återuppringning, röstuppringning eller att avvisa samtal

- Din telefon måste stödja de här funktionerna för att de ska fungera. Läs i bruksanvisningen till din telefon för ytterligare information.

11. Behöver du mer hjälp?

Jabra erbjuder kundsupport online på www.jabra.com, och på insidan av omslaget till denna bruksanvisning finns även uppgifter om support i ditt land.

12. Var rädd om ditt headset

- Stäng alltid av Jabra BT5010 före förvaring, och lägg headsetet på en säker plats.
- Undvik att förvara det på en plats där det kan utsättas för extrema temperaturer (över 45 °C, inklusive direkt solljus, eller under 10 °C). Extrema temperaturer kan förkorta batteriernas livslängd och eventuellt påverka driften. Höga temperaturer kan också försämrare produktens prestanda.
- Utsätt inte Jabra BT5010 för regn eller annan väta.

GB 13. Garanti

F Jabra (GN Netcom) lämnar garanti på alla materialfel och tillverkningsfel på den här produkten under en ettårsperiod från det ursprungliga inköpsdatumet. Villkoren i garantin och våra skyldigheter enligt garantin framgår av följande punkter:

- PT • Garantin är begränsad till den ursprungliga köparen
- DE • En kopia av kvittot eller annat inköpsbevis krävs
- IT • Garantin förklaras som ogiltig om serienumret, etiketten med datummärkning eller produktetiketten tas bort, eller om produkten har hanterats vårdslöst, installerats felaktigt, modifierats eller reparerats av en obehörig tredje part
- NL • Ansvar för produkter som tillverkats av Jabra (GN Netcom) är begränsat till reparation av produkten eller erbjudande om ny produkt enligt beslut från Jabra
- SU • Eventuell underförstådd garanti på Jabra:s (GN Netcoms) produkter begränsas till två år från inköpsdatum för alla delar, inklusive eventuella sladdar och kontakter
- NO • Särskilt undantagna från garanti är förbrukningsartiklar med begränsad livslängd som utsätts för normalt slitage, såsom vindskydd till mikrofonen, skydd till hörsnäckan, dekorativ ytbehandling, batterier och andra tillbehör
- DK • Jabra (GN Netcom) ansvarar inte för några följdskador som uppstår på grund av användning eller missbruk av någon produkt från Jabra (GN Netcom)
- GR • Den här garantin ger dig särskilda rättigheter och du kan även ha andra rättigheter som varierar mellan olika områden
- Om inte annat anges i användarhandboken får användaren under inga omständigheter försöka utföra service på, göra justeringar av eller reparera den här enheten, vilket gäller oberoende av om garantitiden har löpt ut eller ej. När sådant arbete måste utföras ska enheten returneras till inköpsstället, fabriken eller en behörig serviceverkstad
- Jabra (GN Netcom) ansvarar inte för eventuella förluster eller skador som uppstår vid leverans. Reparationsarbete som utförs på Jabra:s (GN Netcoms) produkter av en obehörig tredje part medför att garantin ogiltigförklaras

GB 14. Intyg och uppfyllande av säkerhetsbestämmelser

CE

F Den här produkten är CE-märkt i enlighet med bestämmelserna i direktivet R & TTE (1999/5/EG). GN Netcom intygar härmed att den här produkten uppfyller de nödvändiga kraven och övriga relevanta bestämmelser i direktivet 1999/5/EG.

Mer information finns på www.jabra.com

DE Inom EU är denna enhet avsedd att användas i Belgien, Cypern, Danmark, Estland, Finland, Frankrike, Grekland, Irland, Italien, Lettland, Litauen, Luxemburg, Malta, Nederländerna, Polen, Portugal, Slovakien, Slovenien, Spanien, Storbritannien, Sverige, Tjeckien, Tyskland, Ungern samt Österrike, och inom EFTA i Island, Norge och Schweiz.

Bluetooth

SU The Bluetooth®-produktnamnet och tillhörande logotyper ägs av Bluetooth SIG, Inc. och all användning av sådana varumärken av GN Netcom sker på licens. Övriga varumärken och produktnamn tillhör respektive ägare. and trade names are those of their respective owners.

GB 15. Ordlista

F **Bluetooth** är en radioteknik som används till att koppla ihop enheter, såsom mobiltelefoner och headset, utan trådar eller sladdar över ett kort avstånd (cirka tio meter). Mer information finns på www.bluetooth.com.

ES **Bluetooth**-profiler är olika sätt på vilka Bluetooth-enheter kommunicerar med andra enheter. Bluetooth-telefoner stödjer antingen headset- eller handsfreeprofilen, eller både och. För att en profil ska stödjas måste telefontillverkaren säkerställa att vissa obligatoriska funktioner ingår i telefonens programvara.

DE **Genom att para ihop** enheter kan du skapa en unik, krypterad länk mellan två Bluetooth-enheter, vilket gör det möjligt för dem att kommunicera med varandra. Bluetooth-enheter fungerar inte om de inte har parats ihop.

IT **Ett lösenord eller en pinkod** är en kod som du får ange i din Bluetooth-enhet (t.ex. en mobiltelefon) för att para ihop den med Jabra BT5010. På så vis kan enheten och Jabra BT5010 känna igen varandra och automatiskt fungera tillsammans.

SU **Passningsläge** är när Jabra BT5010 är redo att ta emot samtal. När du avslutar ett samtal på din mobiltelefon växlar headsetet till passningsläget.

NO

SE

DK

GR

Dansk

Tak	120
Om Jabra BT5010	120
Hvad kan din nye hovedtelefon?	121
SÅDAN KOMMER DU I GANG	121
1. Oplad hovedtelefonen	122
2. Tænd og sluk hovedtelefonen	122
3. "Par" hovedtelefonen med din telefon	122
4. Bær den som du vil	123
5. Forskydelig boom arm	123
6. Hvordan	123
7. Batteriindikator	125
8. Hvad betyder lysene	125
9. Brug af en Jabra Bluetooth-adapter	126
10. Fejlfinding og ofte stillede spørgsmål	126
11. Har du brug for mere hjælp?	127
12. Håndtering af hovedtelefonen	127
13. Garanti	128
14. Certificering og sikkerhedsgodkendelser	129
15. Ordliste	130



Kassera produkten enligt lokala lagar och bestämmelser.
www.jabra.com/weee

GB **Tak**

F Tak, fordi du har valgt at købe en Jabra BT5010 Bluetooth-hovedtelefon. Vi håber, at du bliver glad for den! Denne brugervejledning får dig i gang og sætter dig i stand til at få mest muligt ud af hovedtelefonen.

ES

Husk, at trafikken er vigtigere end opkaldet!

PT

DE

IT

Brug af mobiltelefon under kørsel kan distrahere chaufføren og øge risikoen for ulykker. Hvis forholdene kræver det (f.eks. dårligt vejr, meget trafik, børn i bilen, vanskelige vejforhold), skal du holde ind til siden og parkere, før du besvarer eller foretager et opkald. Du skal også altid forsøge gøre samtalerne så korte som muligt og undgå at tage notater eller læse dokumenter.

NL

Kør altid sikkert, og følg de lokale love.

SU Om Jabra BT5010

NO

SE

DK

GR

- 1 Svar-/afslut-knap
- 2 Opladerstik
- 3 Ørekrog
- 4 Lydstyrke op (standard)
- 5 Lydstyrke ned (standard)
- 6 LED-indikatorlampe
- 7 Forskydelig boom arm
- 8 Mikrofon
- 9 Tænd-/sluk-parringsknop
- 10 Højtaler

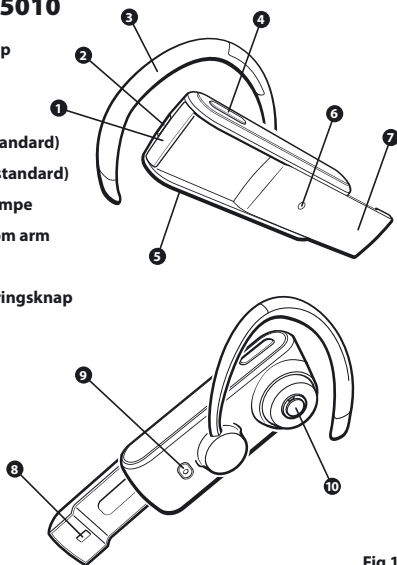


Fig 1

GB Hvad kan din nye hovedtelefon

Med Jabra BT5010 har du mulighed for at:

- besvare opkald,
- afslutte opkald,
- afvise opkald*,
- foretage stemmeopkald*,
- få vist sidst kaldte nummer*,
- anvende banken på*,
- parkere opkald*,
- anvende mute-funktionen,
- aktivere/deaktivere vibrationsfunktionen,

* Afhænger af telefonen

Specifikationer

- Op til 10 timers tale tid/op til 240 timers standbytid
- Genopladeligt batteri, der kan oplades fra stikkontakten, pc via USB-kabel eller biloplader (biloplader medfølger ikke)
- Vægt: 20 g
- Batteriindikator
- Rækkevidde op til 10 meter
- Hovedtelefon- og håndfri Bluetooth-profiler
- Bluetooth-specifikation (se ordliste) version 2.0

SÅDAN KOMMER DU I GANG

Jabra BT5010 er nem at bruge. Svar-/afslut-knappen på hovedtelefonen har forskellige funktioner afhængigt af, hvor længe der trykkes på den.

Handling	Varighed
Kort tryk	Tryk og slip
Tryk	Ca.: 1 sekund
Tryk, og hold nede	Ca.: 5 sekunder

1. Oplad hovedtelefonen

Sørg for, at Jabra BT5010 oplades helt i to timer, før du begynder at bruge den. Brug AC-adapteren til at oplade fra et strømstik, eller oplad direkte fra computeren med det medfølgende USB-kabel. Brug kun den oplader, der leveres i æsken – brug ikke opladere fra andre enheder, da det kan beskadige din Jabra BT5010.

Tilslut hovedtelefonen som vist i **fig. 2**. Når LED-indikatoren lyser rødt, oplades din hovedtelefon. Når LED-indikatoren lyser grønt, er hovedtelefonen helt opladet.


2. Tænd og sluk hovedtelefonen

- **Tryk på** tænd-/sluk-parringsknappen for at tænde hovedtelefonen (*se fig. 1*). LED'et viser batteriets status for at indikere, at Jabra BT5010 er tændt (*se afsnit 7*)
- **Tryk på** tænd-/sluk-parringsknappen for at slukke hovedtelefonen, indtil lampen blinker hurtigt.

3. "Par" hovedtelefonen med din telefon

DK Før du kan bruge Jabra BT5010, skal du parre den med din mobiltelefon.

1. Indstil hovedtelefonen til parring

- Sørg for, at hovedtelefonen er slukket.
- **Tryk på** tænd-/sluk-parringsknappen mærket , indtil LED-indikatoren er blå.

2. Indstil din Bluetooth-telefon til at "finde" Jabra BT5010

Følg den vejledning, der fulgte med telefonen. Indstillingen udføres som regel via menuen "Indstillinger", "Forbindelse" eller "Bluetooth" på din telefon. Vælg derefter den funktion, der skal "finde" eller "tilføje" en Bluetooth-enhed*. (*Se et eksempel på dette fra en typisk mobiltelefon i fig. 3*).

3. Telefonen finder Jabra BT5010

Telefonen spørger derefter, om du vil parre enheden. Tryk på "Ja" eller "Ok" på telefonen for at bekræfte parringen, og bekræft med **adgangskoden eller PIN = 0000 (4 nuller)**. Telefonen bekræfter udført parring. Hvis parringen mislykkedes, skal du gentage trin 1 til 3.

4. Bær den som du vil

Jabra BT5010 kan bæres på højre øre. Hvis du foretrækker at bære den på venstre øre, skal du tage ørekrogen ud, dreje og isætte den som vist (*se fig. 4*).

Den bedste ydelse opnås ved at bære Jabra BT5010 og mobiltelefonen på samme side af kroppen eller ud for hinanden. Generelt opnås den bedste ydelse, når der ikke er hindringer mellem hovedtelefonen og mobiltelefonen (*se fig. 5*)

5. Forskydelig boom arm

Den forskydelige boom arm anvendes til at besvare og afslutte opkaldene, men giver også øget lyd kvalitet, når den forlænges.

For at besvare et indgående opkald skal boom armen blot forlænges for at sætte den i åben position, og for at afslutte opkaldet skal boom armen skubbes tilbage i lukket position.

Jabra BT5010 kan selvfølgelig bruges med boom arm i begge positioner, men giver den bedste lyd kvalitet, når den er i åben position.

6. Hvordan...

Besvar et opkald

- **Tryk kort** på svar-/afslut-knappen på din hovedtelefon for at besvare et opkald eller
- **åbn** den forskydelige boom arm for at besvare opkaldet

Afslut et opkald

- **Tryk kort** på svar-/afslut-knappen for at afslutte den aktive samtale eller
- **luk** den forskydelige boom arm for at afslutte et aktivt opkald

Foretag et opkald

- Hvis du ringer op fra mobiltelefonen, overføres opkaldet (afhængigt af telefonindstillingerne) automatisk til hovedtelefonen. Hvis telefonen ikke har denne funktion, skal du trykke kort på svar-/afslut-knappen på Jabra BT5010 for at overføre opkaldet til hovedtelefonen.

GB

Afvis opkald*

- **Tryk på** svar-/afslut-knappen, når telefonen ringer, for at afvise et indgående opkald. Afhængigt af telefonindstillingerne bliver opkalderen enten viderestillet til din telefonsvarer eller hører et optaget-signal.

F

ES

Aktiver stemmeopkald*

- **Tryk kort** på svar-/afslut-knappen. Du opnår det bedste resultat ved at optage stemmekoden via hovedtelefonen. Yderligere oplysninger om brug af denne funktion findes i vejledningen til telefonen.

PT

DE

Foretag et opkald til det sidst kaldte nummer*

- **Tryk på** svar-/afslut-knappen.

IT

Juster lyd og lydstyrke

- **Tryk på** lydstyrke op eller ned (+ eller -) for at justere lydstyrken. (Lydstyrkeknappen op sidder som standard øverst på hovedtelefonen, når den bæres på højre øre).
- For at slå lyden fra skal du **trykke på begge** lydstyrkeknapperne op og ned på samme tid. Der afspilles en lav advarselstone ved et opkald med lyden slået fra.
- For at slå lyden til skal du **trykke kort** på lydstyrkeknapperne.

NL

SU

NO

Banke på og parkering af opkald*

Denne funktion giver dig mulighed for at parkere et opkald under en samtale for at besvare et ventende opkald.

- **Tryk på** svar-/afslut-knappen for at parkere det aktive opkald og besvare det ventende opkald.
- **Tryk på** svar-/afslut-knappen for at skifte mellem de to opkald.
- **Tryk kort** på svar-/afslut-knappen for at afslutte den aktive samtale.

* Funktionerne mærket med * kan aktiveres, hvis din telefon understøtter disse funktioner. Yderligere oplysninger findes i vejledningen til telefonen.

DK

GR

Aktiver/deaktiver vibrationsfunktionen

- **Tryk på, og hold** begge lydstyrkeknapper nede i standbytilstand.

Lydstyrkeknapper

Hvis du vil ændre lydstyrkeknappernes retning (hovedtelefonen er som standard indstillet til at blive båret på højre øre)

- **Tryk på, og hold** svar-/afslut-knappen nede i standbytilstand, og **tryk kort** på den ønskede op-knap

7. Batteriindikator

Når Jabra BT5010 er tændt, eller hvis der trykkes på en knap i mere end 1 minut efter, der sidst er trykket på en knap, indikerer LED'et hovedtelefonens batteriniveau.

Hvad du ser	Batteriniveau
4 Den grønne lampe blinker	75 % til 100 % opladet
3 Den grønne lampe blinker	50 % til 75 % opladet
2 Den grønne lampe blinker	25 % til 50 % opladet
1 Den røde lampe blinker	under 25 % opladet

8. Hvad betyder lysene

Hvad du ser	Hvad det betyder
En serie af blink	Se batteriindikatoren (<i>afsnit 7</i>)
Blinker blåt og grønt	Indgående opkald
Blinker blåt	Blinker hvert sekund: Aktivt opkald
Blinker blåt	Blinker hvert tredje sekund: (i standbytilstand) (kun i 1 minut, herefter slukkes det)
Blinker rødt	Lav batterispænding
Grønt konstant lys	Helt opladet
Rødt konstant lys	Oplader
Blåt konstant lys	I parringstilstand (<i>se afsnit 3</i>)

GB

F

ES

PT

DE

IT

NL

SU

NO

SE

DK

GR

9. Brug af en Jabra Bluetooth-adapter

Hvis du vil bruge Jabra BT5010 sammen med en mobiltelefon uden Bluetooth-funktionalitet, er Jabra A210-adapteren den rigtige løsning.

Du får en trådløs forbindelse med følgende hovedtelefon-funktion: svar-/afslut opkald, stemmeopkald (hvis det understøttes af telefonen) og mute. Funktionerne afvisning af et opkald, foretagelse af opkald til det sidst kaldte nummer og parkering af opkald kan muligvis ikke bruges, når hovedtelefonen sluttes til stikket i mobiltelefonen.

Sådan parres Jabra BT5010 med Jabra A210

Parringen er en smule anderledes:

- Indstil Jabra BT5010 til parring
- Indstil Jabra A210-adapteren til parring
- Anbring dem ved siden af hinanden. Du har ikke brug for en pinkode for at parre de to Jabra-produkter. Læs vejledningen til Jabra A210-adapteren for at få yderligere oplysninger.

Sådan foretages/besvares et opkald med Jabra A210

- Når du foretager et opkald fra mobiltelefonen, overføres det automatisk til hovedtelefonen (hvis den er tændt).
- Sådan foretages et opkald: Tryk kort på svar-/afslut-knappen på hovedtelefonen, åbn boom armen, eller tryk på svarknappen på mobiltelefonen

10. Fejlfinding og ofte stillede spørgsmål

Jeg hører knitrende støj

- Den bedste lyd kvalitet opnås ved altid at bære hovedtelefonen og mobiltelefonen på samme side af kroppen

Jeg kan ikke høre noget i hovedtelefonen

- Skru op for lyden på hovedtelefonen
- Sørg for, at hovedtelefonen er sluttet til telefonen
- Kontroller, om der er forbindelse til hovedtelefonen. Hvis der ikke kan etableres forbindelse via telefonens Bluetooth-menu eller ved at trykke let på svar-/afslut-knappen, skal du følge fremgangsmåden for parring (*se afsnit 3*).

Hvis der opstår parringsproblemer, selvom dette ikke angives på telefonen

- Det kan være, at du har slettet hovedtelefonens parringsforbindelse på mobiltelefonen. Følg parringsvejledningen i afsnit 3.

Kan Jabra BT5010 bruges med andet Bluetooth-udstyr?

- Jabra BT5010 kan bruges med Bluetooth-mobiltelefoner. Den kan også bruges med andre Bluetooth-enheder, der er kompatible med version 1.1, 1.2 eller 2.0 og understøtter hovedtelefon- og/eller håndfri profiler.

Jeg kan ikke bruge funktionerne afvis opkald, parkering af opkald, genopkald eller stemmeopkald

- Funktionerne afhænger af, om din telefon understøtter dem. Læs vejledningen til telefonen for at få yderligere oplysninger .

11. Har du brug for mere hjælp?

Jabra tilbyder kundesupport via internettet på www.jabra.com, eller du kan læse på indersiden af forsiden og få supportoplysninger for dit land.

12. Håndtering af hovedtelefonen

- Jabra BT5010 skal altid opbevares slukket og på et sikkert sted.
- Undgå opbevaring ved ekstreme temperaturer (over 45° C – herunder direkte sollys – eller under -10° C). Dette kan forkorte batteriets levetid og påvirke driften. Høje temperaturer kan også forringe ydeevnen.
- Udsæt ikke Jabra BT5010 for regn eller anden væske.

GB 13. Garanti

Jabra (GN Netcom) yder garanti på dette produkt for alle defekter vedrørende materialer og kvalitet i en periode på to år fra den oprindelige købsdato. Vilkkårene i den foreliggende garanti og vores ansvar i henhold til denne garanti er som følger:

- Garantien er begrænset til den oprindelige køber
- En kopi af kvitteringen eller anden dokumentation på køb kræves
- Garantien er ugyldig, hvis serienummeret, datokodeetiketten eller produktetiketten fjernes, eller hvis produktet er blevet udsat for hårdhændet eller uforsvarlig behandling, forkert installation, modifikation eller reparation af en uautoriseret tredjepart
- Ansvar i forbindelse med Jabra-produkter (GN Netcom) er begrænset til reparation eller erstatning af produktet efter producentens skøn
- Enhver stiltiende garanti på Jabra-produkter (GN Netcom) er begrænset til to år fra købsdatoen på alle dele, herunder ledninger og stik
- Specifikke dele, som ikke er omfattet af garantien, er forbrugskomponenter med begrænset levetid, der er udsat for normal slitage, f.eks. vindskærm til mikrofonen, ørepuder, dekorativ finish, batterier og andet tilbehør
- Jabra (GN Netcom) er ikke ansvarlig for tilfældige skader eller følgeskader, der måtte opstå som følge af brug eller misbrug af et Jabra-produkt (GN Netcom)
- Denne garanti giver dig specifikke rettigheder, og du kan have andre rettigheder, der varierer fra område til område
- Brugeren må under ingen omstændigheder forsøge at udføre service, justeringer eller reparationer af denne enhed, uanset om det ligger inden for garantien eller ej, medmindre det er angivet i denne brugervejledning. Produktet skal returneres til købsstedet, fabrikken eller et autoriseret servicecenter for at få udført alt sådant arbejde
- Jabra (GN Netcom) påtager sig intet ansvar for tab eller skader, der opstår under forsendelsen. Alt reparationsarbejde på Jabra-produkter (GN Netcom) udført af uautoriserede tredjeparter gør garantien ugyldig

GB 14. Certificering og sikkerhedsgodkendelser

CE

Dette produkt er CE-mærket i overensstemmelse med bestemmelserne i R & TTE-direktivet (1999/5/EF). GN Netcom erklærer herved, at dette produkt overholder de væsentlige krav og andre relevante bestemmelser i direktivet 1999/5/EF.

Yderligere oplysninger findes på adressen www.jabra.com

Denne enhed er inden for EU beregnet til brug i Østrig, Belgien, Cypern, Tjekkiet, Danmark, Estland, Finland, Frankrig, Tyskland, Grækenland, Ungarn, Irland, Italien, Letland, Litauen, Luxembourg, Malta, Polen, Portugal, Slovakiet, Slovenien, Spanien, Sverige, Holland, Storbritannien, og inden for EFTA på Island, i Norge samt i Schweiz.

Bluetooth

Bluetooth®-varemærket og -logoer tilhører Bluetooth SIG, Inc., og enhver brug af sådanne varemærker af GN Netcom foregår under licens. Andre varemærker og varebetegnelser tilhører deres respektive ejere.

GB 15. Ordliste

F **Bluetooth** er en radioteknologi, der forbinder enheder som f.eks. mobiltelefoner og hovedtelefoner uden ledninger over en kort afstand på ca. 10 meter. Få yderligere oplysninger på www.bluetooth.com.

ES **Bluetooth-profiler** er de forskellige måder, hvorpå Bluetooth-enheder kommunikerer med andre enheder. Bluetooth-telefoner understøtter enten hovedteleprofilen, den håndfri profil eller begge dele. Understøttelse af en bestemt profil kræver, at en producent har implementeret bestemte, obligatoriske funktioner i telefonens software.

DE **Parring** skaber en unik og krypteret forbindelse mellem to Bluetooth-enheder, således at de kan kommunikere med hinanden. Bluetooth-enheder fungerer ikke, hvis de ikke er parret.

IT **Adgangskoden eller PIN-koden** er en kode, der skal indtastes på den aktiverede Bluetooth-enhed (f.eks. en mobiltelefon) for at parre den med Jabra BT5010. Dette betyder, at din enhed og Jabra BT5010 genkender hinanden og automatisk samarbejder.

NL **Standbytilstand** er, når Jabra BT5010 passivt venter på et opkald. Når du afslutter et opkald på din mobiltelefon, skifter hovedtelefonen til standbytilstand.

SU

NO

SE

DK

GR

Ελληνικά

GB Ευχαριστίες..... 132 **F**

ES Γνωριμία με το Jabra BT5010 132 **ES**

PT Τι μπορεί να κάνει το νέο σας ακουστικό 133 **PT**

DE ΤΑ ΠΡΩΤΑ ΒΗΜΑΤΑ..... 133 **DE**

IT 1. Φόρτιση του ακουστικού 134 **IT**

NL 2. Θέση του ακουστικού σε λειτουργία και εκτός λειτουργίας 134 **NL**

SU 3. Ζευγοποίηση με το τηλέφωνό σας 134 **SU**

NO 4. Επιλέξτε πώς θέλετε να φοράτε το ακουστικό σας 135 **NO**

SE 5. Ο συρταρωτός τηλεσκοπικός βραχίονας 135 **SE**

DK 6. Πώς να... 136 **DK**

GR 7. Ένδειξη μπαταρίας 137 **GR**

8. Τι σημαίνουν οι φωτεινές ενδείξεις 138

9. Χρήση προσαρμογέα Bluetooth της Jabra 138

10. Αντιμετώπιση προβλημάτων & Συχνές ερωτήσεις και απαντήσεις 139

11. Για περισσότερη βοήθεια: 140

12. Φροντίδα του ακουστικού σας 140

13. Εγγύηση 140

14. Πιστοποίηση και εγκρίσεις ασφαλείας 141

15. Γλωσσάριο 142



Bortskaf produktet i overensstemmelse med lokale bestemmelser og love. www.jabra.com/wcee

Ευχαριστίες

Σας ευχαριστούμε που αγοράσατε το ακουστικό Bluetooth Jabra BT5010. Ελπίζουμε να μείνετε ικανοποιημένοι με τη λειτουργία του! Το εγχειρίδιο χρήσης θα σας βοηθήσει να κάνετε τα πρώτα σας βήματα καθώς και να αξιοποιήσετε στο έπακρο τις δυνατότητες του ακουστικού σας.

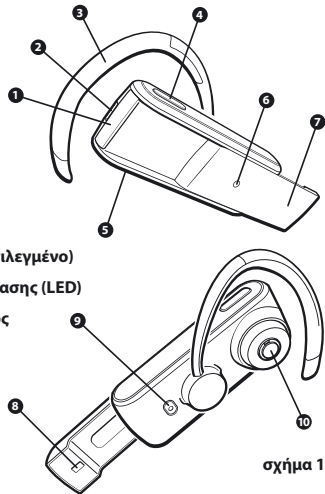
Να θυμάστε, πρώτα απ' όλα η οδήγηση, όχι το τηλεφώνημα!

Η χρήση κινητού τηλεφώνου κατά την οδήγηση αποσπά την προσοχή του οδηγού, γεγονός που ενδέχεται να αυξήσει την πιθανότητα ατυχήματος. Εάν οι συνθήκες το απαιτούν (π.χ. κακές καιρικές συνθήκες, πυκνή κυκλοφορία, παιδιά στο αυτοκίνητο, δύσκολες συνθήκες στο δρόμο), σταθμεύστε το αυτοκίνητό σας προτού πραγματοποιήσετε ή απαντήσετε σε κλήσεις. Επίσης, προσπαθήστε οι συνομιλίες σας να είναι σύντομες και μην κρατάτε σημειώσεις ή διαβάζετε έγγραφα.

Οδηγείτε πάντοτε με ασφάλεια και τηρήστε την κατά τούπος ισχύουσα νομοθεσία.

Γνωριμία με το Jabra BT5010

- 1 Πλήκτρο απάντησης/τερματισμού κλήσεων
- 2 Υποδοχή φόρτισης
- 3 Αγκιστρο εφαρμογής στο αυτί
- 4 Πλήκτρο αύξησης της έντασης του ήχου (προεπιλεγμένο)
- 5 Πλήκτρο μείωσης της έντασης του ήχου (προεπιλεγμένο)
- 6 Ενδεικτική λυχνία κατάστασης (LED)
- 7 Συρταρωτός τηλεσκοπικός βραχίονας
- 8 Μικρόφωνο
- 9 Πλήκτρο ενεργοποίησης/απενεργοποίησης/ζευγοποίησης
- 10 Μεγάφωνο



Τι μπορεί να κάνει το νέο σας ακουστικό

Το Jabra BT5010 σας επιτρέπει να κάνετε τα εξής:

- Απάντηση κλήσεων
- Τερματισμό κλήσεων
- Απόρριψη κλήσεων*
- Φωνητική κλήση*
- Επανάκληση τελευταίου αριθμού*
- Κλήση σε αναμονή*
- Κλήση σε κράτηση*
- Σίγαση κλήσεων
- Ενεργοποίηση/απενεργοποίηση λειτουργίας δόνησης

* ανάλογα με τη συσκευή

Χαρακτηριστικά

- Χρόνος ομιλίας έως 10 ώρες/χρόνος αναμονής έως 240 ώρες
- Επαναφορτιζόμενη μπαταρία με δυνατότητα φόρτισης από παροχή εναλλασσόμενου ρεύματος, από Η/Υ μέσω καλωδίου USB ή από φορτιστή αυτοκινήτου (δεν περιλαμβάνεται)
- Βάρος 20 γραμμάρια
- Ενδειξη μπαταρίας
- Εμβέλεια λειτουργίας έως 10 μέτρα
- Υποστηρίζει τα προφίλ Bluetooth για ακουστικά και συστήματα ανοιχτής συνομιλίας
- Προδιαγραφές Bluetooth (βλ. γλωσσάριο) έκδοση 2.0

ΤΑ ΠΡΩΤΑ ΒΗΜΑΤΑ

Το Jabra BT5010 είναι απλό στη χρήση. Το πλήκτρο απάντησης/τερματισμού κλήσεων, ανάλογα με τη διάρκεια της πίεσης που του ασκείται, εκτελεί πολλαπλές λειτουργίες.

Οδηγία	Διάρκεια πίεσης του πλήκτρου:·
Πιέστε ελαφρά	Πατήστε για ελάχιστο χρόνο
Πατήστε	Περίπου 1 δευτερόλεπτο
Πατήστε και κρατήστε πατημένο	Περίπου 5 δευτερόλεπτα

6. Πώς να...

Απαντήστε σε μια κλήση

- **Πιέστε ελαφρά** το πλήκτρο απάντησης/τερματισμού κλήσεων του ακουστικού για να απαντήσετε σε μια κλήση

- ή
- **Εκτείνετε** τον συρταρωτό τηλεσκοπικό βραχίονα **στην ανοικτή του θέση** για να απαντήσετε στην κλήση

Τερματίστε μια κλήση

- **Πιέστε ελαφρά** το πλήκτρο απάντησης/τερματισμού κλήσεων του ακουστικού για να τερματίσετε μια ενεργή κλήση

- ή
- **Συμπύξτε** τον συρταρωτό τηλεσκοπικό βραχίονα **στην κλειστή του θέση** για να τερματίσετε μια ενεργή κλήση

Πραγματοποιήστε μια κλήση

- Όταν πραγματοποιείτε μια κλήση από το κινητό σας τηλέφωνο, η κλήση (ανάλογα με τις ρυθμίσεις του τηλεφώνου) μεταβιβάζεται αυτόματα στο ακουστικό σας. Εάν το τηλέφωνό σας δεν διαθέτει αυτή τη λειτουργία, πιέστε ελαφρά το πλήκτρο απάντησης/τερματισμού κλήσεων για να μεταβιβάσετε την κλήση στο ακουστικό.

Απορρίψτε μια κλήση*

- **Πατήστε** το πλήκτρο απάντησης/τερματισμού κλήσεων ενώ το τηλέφωνο χτυπά για να απορρίψετε μια εισερχόμενη κλήση. Ανάλογα με τις ρυθμίσεις του τηλεφώνου σας, το άτομο που καλεί είτε προωθείται στο φωνητικό ταχυδρομείο είτε ακούει τον ήχο κατειλημμένου.

Ενεργοποιήστε τη λειτουργία φωνητικής κλήσης*

- **Πιέστε ελαφρά** το πλήκτρο απάντησης/τερματισμού κλήσεων. Για καλύτερα αποτελέσματα, μαγνητοφωνήστε τις φωνητικές φράσεις μέσω του ακουστικού σας. Για περισσότερες πληροφορίες σχετικά με αυτή τη λειτουργία, συμβουλευθείτε το εγχειρίδιο χρήσης του κινητού τηλεφώνου σας.

Επαναλάβετε την κλήση του τελευταίου αριθμού*

- **Πατήστε** το πλήκτρο απάντησης/τερματισμού κλήσεων.

Ρυθμίστε τον ήχο και την έντασή του

- **Πατήστε** το πλήκτρο αύξησης ή μείωσης (+ ή -) της έντασης του ήχου για να ρυθμίσετε την ένταση του ήχου. (Το πλήκτρο αύξησης της έντασης του ήχου βρίσκεται από προεπιλογή στο πάνω μέρος του ακουστικού όταν αυτό φοριέται στο δεξί αυτί)
- Για τη σίγαση μιας κλήσης, **πατήστε και τα δύο** πλήκτρα ρύθμισης της έντασης του ήχου ταυτόχρονα. Κατά τη διάρκεια μιας κλήσης που βρίσκεται σε κατάσταση σίγασης ακούγεται ένα προειδοποιητικός ήχος σε χαμηλό τόνο
- Για να απενεργοποιήσετε την κατάσταση σίγασης μιας κλήσης, **πιέστε ελαφρά** οποιοδήποτε από τα πλήκτρα αύξησης και μείωσης του ήχου.

Απαντήστε σε μια κλήση που βρίσκεται σε αναμονή και να θέσετε μια κλήση σε κράτηση*

Η λειτουργία αυτή σας επιτρέπει να θέσετε μια κλήση σε κράτηση κατά τη διάρκεια μιας συνομιλίας και να απαντήσετε σε μια κλήση που βρίσκεται σε αναμονή.

- **Πατήστε** μία φορά το πλήκτρο απάντησης/τερματισμού κλήσεων για να θέσετε μια ενεργή κλήση σε κράτηση και να απαντήσετε στην κλήση που βρίσκεται σε αναμονή
- **Πατήστε** το πλήκτρο απάντησης/τερματισμού κλήσεων για εναλλαγή μεταξύ των δύο κλήσεων
- **Πιέστε ελαφρά** το πλήκτρο απάντησης/τερματισμού κλήσεων για να τερματίσετε την ενεργή συνομιλία.

* Οι λειτουργίες που σημειώνονται με * εξαρτώνται από το εάν το τηλέφωνό σας υποστηρίζει τις συγκεκριμένες λειτουργίες. Συμβουλευτείτε το εγχειρίδιο χρήσης του τηλεφώνου σας για περαιτέρω πληροφορίες.

Ενεργοποιήστε/απενεργοποιήστε τη λειτουργία δόνησης

- **Πατήστε και κρατήστε πατημένα** και τα δύο πλήκτρα ρύθμισης της έντασης του ήχου ενώ η συσκευή βρίσκεται σε κατάσταση αναμονής.

Αλλάξτε τον προσανατολισμό των πλήκτρων ρύθμισης του ήχου

Για να αλλάξετε τον προσανατολισμό των πλήκτρων ρύθμισης του ήχου (η προεπιλεγμένη ρύθμιση αφορά τη λειτουργία με το ακουστικό τοποθετημένο στο δεξί αυτί)

- **Πατήστε και κρατήστε πατημένο** το πλήκτρο απάντησης/τερματισμού κλήσεων ενώ η συσκευή βρίσκεται σε κατάσταση αναμονής και **πιέστε ελαφρά** το πλήκτρο που επιθυμείτε να χρησιμοποιείται για την αύξηση της έντασης του ήχου.

7. Ένδειξη μπαταρίας

Όταν το Jabra BT5010 βρίσκεται σε λειτουργία ή όταν ο χρήστης πατά ένα πλήκτρο τουλάχιστον μετά από 1 λεπτό από το προηγούμενο πάτημα πλήκτρου, η ενδεικτική λυχνία LED δείχνει την κατάσταση φόρτισης της μπαταρίας .

Τι βλέπετε	Κατάσταση φόρτισης μπαταρίας
4 πράσινες αναλαμπές	Φορτισμένη κατά 75% - 100%
3 πράσινες αναλαμπές	Φορτισμένη κατά 50% - 75%
2 πράσινες αναλαμπές	Φορτισμένη κατά 25% - 50%
1 κόκκινη αναλαμπή	Φορτισμένη κατά λιγότερο από 25%

8. Τι σημαίνουν οι φωτεινές ενδείξεις

Τι βλέπετε	Τι σημαίνει αυτό για το ακουστικό σας
Σειρά αναλαμπών Γαλάζια και πράσινη φωτεινή	Βλ. Ενδειξη μπαταρίας (ενότητα 7)
ένδειξη που αναβοσβήνει	Εισερχόμενη κλήση
Γαλάζια ένδειξη που αναβοσβήνει	Εάν αναβοσβήνει κάθε ένα δευτερόλεπτο: ενεργή κλήση
Γαλάζια ένδειξη που αναβοσβήνει	Εάν αναβοσβήνει κάθε τρία δευτερόλεπτα: σε κατάσταση αναμονής (μόνο για 1 λεπτό και μετά σβήνει)
Κόκκινη φωτεινή ένδειξη που αναβοσβήνει	Η φόρτιση της μπαταρίας είναι χαμηλή
Σταθερά αναμμένη πράσινη φωτεινή ένδειξη	Η μπαταρία είναι πλήρως φορτισμένη
Σταθερά αναμμένη κόκκινη φωτεινή ένδειξη	Η μπαταρία φορτίζει
Σταθερά αναμμένη γαλάζια φωτεινή ένδειξη	Σε τρόπο λειτουργίας ζευγοποίησης (βλ. ενότητα 3)

9. Χρήση προσαρμογέα Bluetooth της Jabra

Εάν θέλετε να χρησιμοποιήσετε το Jabra BT5010 με ένα κινητό τηλέφωνο που δεν είναι τεχνολογίας Bluetooth, η λύση είναι ο προσαρμογέας Jabra A210.

Σας παρέχει ασύρματη σύνδεση με τις ακόλουθες λειτουργίες του ακουστικού: απάντηση/τερματισμός κλήσης, φωνητική κλήση (εάν υποστηρίζεται από το τηλέφωνο) και σίγαση κλήσης. Η απόρριψη μιας κλήσης, η επανάκληση του τελευταίου αριθμού και η θέση μιας κλήσης σε κράτηση μπορεί να μην υποστηρίζονται μέσω της υποδοχής του ακουστικού στο κινητό τηλέφωνο.

Για να ζευγοποιήσετε το Jabra BT5010 με τον προσαρμογέα Jabra A210

Η διαδικασία ζευγοποίησης είναι λίγο διαφορετική:

- Ρυθμίστε το Jabra BT5010 σε τρόπο λειτουργίας ζευγοποίησης
- Ρυθμίστε τον προσαρμογέα Jabra A210 σε τρόπο λειτουργίας ζευγοποίησης

- Τοποθετήστε τις δύο συσκευές κοντά τη μια στην άλλη. Για τη ζευγοποίηση των δύο προϊόντων Jabra δεν χρειάζεται ειδικός κωδικός PIN. Για περισσότερες πληροφορίες, συμβουλευτείτε το εγχειρίδιο χρήσης του προσαρμογέα Jabra A210.

Πραγματοποίηση κλήσης/απάντηση εισερχόμενης κλήσης όταν χρησιμοποιείτε τον προσαρμογέα Jabra A210

- Όταν πραγματοποιείτε κλήση από το κινητό τηλέφωνό σας, η κλήση μεταβιβάζεται αυτόματα στο ακουστικό (εάν είναι σε λειτουργία)
- Για να απαντήσετε σε εισερχόμενη κλήση: είτε πιέστε ελαφρά το πλήκτρο απάντησης/τερματισμού κλήσεων, είτε ανοίξετε τον τηλεσκοπικό βραχίονα, είτε πιέστε το πλήκτρο απάντησης στο κινητό σας τηλέφωνο

10. Αντιμετώπιση προβλημάτων & Συχνές ερωτήσεις κι απαντήσεις

Ακούω ενοχλητικούς διακεκομμένους θορύβους

- Για βέλπστη ποιότητα ήχου, φοράτε πάντοτε το ακουστικό σας στην ίδια πλευρά του σώματος με το κινητό τηλέφωνό σας

Δεν ακούω τίποτε από το ακουστικό μου

- Αυξήστε την ένταση του ήχου στο ακουστικό
- Βεβαιωθείτε ότι το ακουστικό έχει ζευγοποιηθεί με το κινητό τηλέφωνο
- Βεβαιωθείτε ότι το τηλέφωνο συνδέεται με το ακουστικό – εάν δεν συνδέεται είτε μέσω του μενού Bluetooth του κινητού τηλεφώνου είτε πιέζοντας το πλήκτρο απάντησης/τερματισμού κλήσεων, επαναλάβετε τη διαδικασία ζευγοποίησης (**βλ. ενότητα 3**).

Αντιμετώπιζω προβλήματα με τη ζευγοποίηση αν και το τηλέφωνό μου δείχνει ότι έχει πραγματοποιηθεί

- Ενδέχεται να έχετε διαγράψει τη σύνδεση ζευγοποίησης του ακουστικού σας από το κινητό σας τηλέφωνο. Ακολουθήστε τις οδηγίες ζευγοποίησης στην ενότητα 3.

Το BT5010 λειτουργεί με άλλες συσκευές Bluetooth;

- Το Jabra BT5010 σχεδιάστηκε για να λειτουργεί με κινητά τηλέφωνα Bluetooth. Μπορεί επίσης να λειτουργήσει με άλλες συσκευές Bluetooth συμβατές με τις εκδόσεις Bluetooth 1.1, 1.2 ή 2.0 και οι οποίες υποστηρίζουν το προφίλ ακουστικού ή/και συστήματος ανοικτής συνομιλίας.

Δεν μπορώ να χρησιμοποιήσω τις λειτουργίες απόρριψης κλήσης, θέσης κλήσης σε κράτηση, επανάκλησης ή φωνητικής κλήσης

- Οι λειτουργίες αυτές εξαρτώνται από το εάν υποστηρίζονται από το τηλέφωνό σας. Παρακαλούμε συμβουλευτείτε το εγχειρίδιο του τηλεφώνου σας για περαιτέρω πληροφορίες.

GB 11. Για περισσότερη βοήθεια:

H Jabra παρέχει ηλεκτρονική υποστήριξη πελατών στη διεύθυνση www.jabra.com στο Διαδίκτυο. Μπορείτε επίσης να δείτε τα στοιχεία επικοινωνίας της υπηρεσίας υποστήριξης για τη χώρα σας που αναγράφονται στη μέσα πλευρά του οπισθόφυλλου.

PT 12. Φροντίδα του ακουστικού σας

- Φυλάσσετε πάντα το Jabra BT5010 απενεργοποιημένο και ασφαλώς προστατευμένο
- Αποφύγετε χώρους φύλαξης με υψηλές θερμοκρασίες (άνω των 45° C, όπως άμεση έκθεση στο ηλιακό φως – ή κάτω από -10°C). Αυτό μπορεί να έχει ως αποτέλεσμα τη μείωση της διάρκειας ζωής της μπαταρίας και είναι δυνατό να επηρεάσει τη λειτουργία. Οι υψηλές θερμοκρασίες μπορεί επίσης να επηρεάσουν δυσμενώς την απόδοση.
- Μην εκθέτετε το Jabra BT5010 σε βροχή ή άλλα υγρά.

SE 13. Εγγύηση

H Jabra (GN Netcom) καλύπτει τη συσκευή αυτή με εγγύηση για οποιοδήποτε ελάττωμα στο υλικό και στην εργασία για μια περίοδο δύο ετών από την ημερομηνία πρώτης αγοράς. Οι όροι της εγγύησης και οι ευθύνες της εταιρείας στα πλαίσια της εγγύησης αυτής είναι ως εξής:

- Η εγγύηση περιορίζεται στον αρχικό αγοραστή
- Απαιτείται αντίγραφο της απόδειξης αγοράς
- Η εγγύηση καθίσταται άκυρη εάν η ετικέτα με το σειριακό αριθμό, η ετικέτα με τον κωδικό ημερομηνίας ή η ετικέτα προϊόντος αφαιρεθεί ή εάν η συσκευή υποβληθεί σε κακή χρήση, εσφαλμένη εγκατάσταση, τροποποίηση ή επισκευή από μη εξουσιοδοτημένους τρίτους
- Η ευθύνη της Jabra (GN Netcom) για τα προϊόντα της περιορίζεται στην επισκευή ή την αντικατάστασή τους, κατά την απόλυτη κρίση της
- Τυχόν έμμεσες εγγυήσεις για τα προϊόντα της Jabra (GN Netcom) περιορίζονται σε διάρκεια δύο ετών από την ημερομηνία αγοράς για όλα τα παρελκόμενα, συμπεριλαμβανομένων των καλωδίων και των συνδέσμων
- Ειδικότερα, εξαιρούνται όλων των εγγυήσεων τα αναλώσιμα μέρη περιορισμένης διάρκειας ζωής τα οποία υπόκεινται σε φυσιολογική φθορά, όπως π.χ. οι διατάξεις προστασίας μικροφώνων, τα αφρολέξ για το αυτί, τα διακοσμητικά μέρη, οι μπαταρίες και άλλα παρελκόμενα

- Η Jabra (GN Netcom) δε φέρει καμία ευθύνη για τυχόν συμπτωματική ή παρεπόμενη ζημία που οφείλεται στην κανονική ή κακή χρήση οποιουδήποτε προϊόντος της
- Η εγγύηση αυτή σας παρέχει συγκεκριμένα δικαιώματα, αλλά ενδέχεται να έχετε και άλλα δικαιώματα τα οποία διαφέρουν από περιοχή σε περιοχή
- Ο χρήστης σε καμία περίπτωση δεν επιτρέπεται να εκτελεί εργασίες συντήρησης, ρύθμισης ή επισκευής στη συσκευή αυτή, είτε στα πλαίσια της εγγύησης είτε εκτός αυτής, παρά μόνον εάν αναφέρεται διαφορετικά στο Εγχειρίδιο χρήσης. Για την εκτέλεση όλων των ανωτέρω εργασιών, η συσκευή πρέπει να παραδίδεται στο κατάστημα αγοράς, στο εργοστάσιο κατασκευής ή σε εξουσιοδοτημένο κέντρο σέρβις
- Η Jabra (GN Netcom) δεν αναλαμβάνει καμία ευθύνη για τυχόν ζημιές που θα λάβουν χώρα κατά την αποστολή. Τυχόν εργασίες επισκευής προϊόντων της Jabra (GN Netcom) από μη εξουσιοδοτημένους τρίτους θα καταστήσουν κάθε εγγύηση άκυρη

DE 14. Πιστοποίηση και εγκρίσεις ασφαλείας CE

Η συσκευή αυτή φέρει τη σήμανση CE σύμφωνα με τις διατάξεις της Οδηγίας 1999/5/EOK περί τερματικού ραδιοφωνικού και τηλεπικοινωνιακού εξοπλισμού (R&TTE). Με το παρόν, η GN Netcom δηλώνει υπεύθυνα ότι αυτή η συσκευή συμμορφούται με τις ουσιαστικές απαιτήσεις και άλλες σχετικές διατάξεις της Οδηγίας 1999/5/EOK.

Για περισσότερες πληροφορίες, επισκεφθείτε τη διεύθυνση www.jabra.com στο Διαδίκτυο.

Εντός της Ε.Ε., αυτή η συσκευή προορίζεται για χρήση στην Αυστρία, το Βέλγιο, την Κύπρο, τη Δημοκρατία της Τσεχίας, τη Δανία, την Εσθονία, τη Φινλανδία, τη Γαλλία, τη Γερμανία, την Ελλάδα, την Ουγγαρία, την Ιρλανδία, την Ιταλία, τη Λετονία, τη Λιθουανία, το Λουξεμβούργο, τη Μάλτα, την Πολωνία, την Πορτογαλία, τη Σλοβακία, τη Σλοβενία, την Ισπανία, τη Σουηδία, την Ολλανδία, το Ηνωμένο Βασίλειο και, στις χώρες της Ε.Ζ.Ε.Σ., στην Ισλανδία, τη Νορβηγία και την Ελβετία

Bluetooth

Το σήμα και τα λογότυπα Bluetooth® ανήκουν στην Bluetooth SIG, Inc. και κάθε χρήση τους από την GN Netcom γίνεται κατόπιν ειδικής αδείας. Οι υπόλοιπες εμπορικές ονομασίες ανήκουν στους αντίστοιχους κατόχους τους.

GB 15. Γλωσσάριο

F Bluetooth: Μια ραδιοτεχνολογία που αναπτύχθηκε για τη σύνδεση συσκευών, όπως π.χ. κινητών τηλεφώνων και ακουστικών, χωρίς καλώδια για μικρή απόσταση (περίπου 10 μέτρα). Για περισσότερες πληροφορίες, επισκεφθείτε τη διεύθυνση www.bluetooth.com στο Διαδίκτυο

PT Προφίλ Bluetooth: Οι διαφορετικοί τρόποι μέσω των οποίων οι συσκευές Bluetooth επικοινωνούν με άλλες συσκευές. Τα τηλέφωνα Bluetooth υποστηρίζουν είτε το προφίλ ακουστικού είτε το προφίλ ανοικτής συνομιλίας, ενώ ορισμένα υποστηρίζουν και τα δύο προφίλ. Προκειμένου να υποστηριχθεί ορισμένο προφίλ, ο κατασκευαστής του τηλεφώνου πρέπει να έχει συμπεριλάβει συγκεκριμένα υποχρεωτικά χαρακτηριστικά στο λογισμικό του τηλεφώνου.

NL Ζευγοποίηση: Διαδικασία με την οποία δημιουργείται μια μοναδική και κρυπτογραφημένη σύνδεση μεταξύ δύο συσκευών Bluetooth, η οποία επιτρέπει στις δύο συσκευές να επικοινωνούν μεταξύ τους. Οι συσκευές Bluetooth δεν θα λειτουργούν εάν δεν είναι ζευγοποιημένες μεταξύ τους.

NO Passkey ή PIN: Ένας κωδικός τον οποίο πρέπει να πληκτρολογήσετε σε μια συσκευή Bluetooth (π.χ. ένα κινητό τηλέφωνο) για να τη ζευγοποιήσετε με το Jabra BT5010. Μετά τη ζευγοποίηση του κινητού σας τηλεφώνου με το Jabra BT5010, οι συσκευές αναγνωρίζουν η μία την άλλη και συνεργάζονται αυτόματα.

DK Κατάσταση αναμονής: Όταν το Jabra BT5010 περιμένει παθητικά μια κλήση. Όταν τερματίζετε μια κλήση στο κινητό σας τηλέφωνο, το ακουστικό μεταβαίνει σε κατάσταση αναμονής.

GR

GB

F

ES

PT

DE

IT

NL

SU

NO

SE

DK

GR



Απορρίψτε το προϊόν σύμφωνα με τα τοπικά πρότυπα και κανονισμούς. www.jabra.com/weee

RELEASE YOUR JABRA