

# Fry Warmer

MODELS FW-12, FW-15, FW-12T, FW-15T, FW-15DTO

Service Manual

Serial Numbers 120182 and Higher



*Fresh ideas in foodservice equipment*

# Warranty Information

## LIMITED ONE YEAR WARRANTY

BKI (The "Company") warrants to the original purchaser that at time of shipment from the Company factory, this equipment will be free from defect in materials and workmanship. Written notice of a claim under this warranty must be received by the Company within ONE YEAR from the date of installation, but no longer than ONE YEAR AND THREE MONTHS from date of shipment from the factory. Defective conditions caused by abnormal use or misuse, lack of or improper maintenance, damage by third parties, alterations by unauthorized personnel, acts of God, failure to follow installation and/or operating instructions, or any other events beyond the reasonable control of the Company will NOT be covered under this warranty. The obligation of the Company under this warranty shall be limited to repairing or replacing (at the option of the Company) any part, with the exception of lamps, fuses, and glass (which are not covered under warranty), which is found defective in the reasonable opinion of the Company. Any part found defective by the Company will be repaired or replaced without charge F.O.B. factory, Simpsonville, South Carolina or F.O.B. authorized BKI Distributor. The Company and/or its authorized representatives will assume the normal replacement labor expense for the defective part for the period of the warranty as stated above, excluding travel and/or other expenses incidental to the replacement of the defective part, where replacement work is performed during standard business hours and not subject to overtime, holiday rates, and/or any additional fees. IN NO EVENT SHALL THE COMPANY BE LIABLE FOR LOSS OF USE, LOSS OF REVENUE OR LOSS OF PRODUCT OR PROFIT OR FOR INDIRECT OR CONSEQUENTIAL DAMAGES INCLUDING BUT NOT LIMITED TO, FOOD SPOILAGE OR PRODUCT LOSS. WARRANTY DOES NOT COVER GLASS BREAKAGE. THE ABOVE WARRANTY IS EXCLUSIVE AND ALL OTHER WARRANTIES, EXPRESS OR IMPLIED, ARE EXCLUDED INCLUDING THE IMPLIED WARRANTIES OF MERCHANTABILITY AND FITNESS FOR A PARTICULAR PURPOSE.

## REPLACEMENT PARTS

Any appliance replacement part, with the exception of lamps, fuses, and glass, which proves to be defective in material or workmanship within ninety (90) days of installation will be replaced without charge F.O.B. Factory, Simpsonville, SC or F.O.B. authorized BKI Distributor. The user shall have the responsibility and expense of removing and returning the defective part to the Company as well as the cost of reinstalling the replacement or repaired part.

# Table of Contents

<b>Table of Contents</b> .....	<b>1</b>
<b>Introduction</b> .....	<b>2</b>
Safety Precautions .....	2
Safety Signs and Messages .....	2
Safe Work Practices .....	2
Safety Labels .....	4
<b>Installation</b> .....	<b>5</b>
Instructions For Shipping Damage .....	5
Electrical Information And Grounding .....	5
Installation Instructions .....	5
FW-12 & FW-12T (Side Breather) .....	5
FW-15 (Side Breather) .....	6
FW-15 (Bottom Breather) .....	7
FW-15T/FW-15DTO (Bottom Breather) .....	9
<b>Maintenance</b> .....	<b>10</b>
Scheduled Maintenance .....	10
Cleaning .....	10
Troubleshooting .....	11
Repair .....	11
Lamp Replacement .....	11
<b>Replacement Parts</b> .....	<b>12</b>
Components .....	12
FW-12/FW-15 CUF (Side Breather) .....	12
FW-12/FW-15 PASS THRU (Side Breather) .....	14
FW-15 CUF (Bottom Breather) .....	16
FW-15 PASS THRU (Bottom Breather) .....	18
FW-12T (Side Breather) .....	20
FW-15T (Bottom Breather) .....	21
FW-15DTO (Bottom Breather) .....	22
Accessories .....	24
<b>Wiring Diagrams</b> .....	<b>25</b>
FW-12/FW-15 (Side Breather) .....	25
FW-12/FW-15 (Bottom Breather) .....	26
FW-15 (220V England) .....	27
FW-12T/FW-15T .....	28
FW-15DTO (Bottom Breather) .....	29
<b>Notes</b> .....	<b>31</b>

## Introduction

Congratulations! You have chosen a **Fry Warmer** that will give you many years of fine service from the original manufacturer, **BKI**.

The **BKI** name and trademark on this unit assures you of the finest in design and engineering — that it has been built with care and dedication — using the best materials available. Attention to the operating instructions regarding proper installation, operation, and maintenance will result in long lasting dependability to insure the highest profitable return on your investment.

### NOTICE

PLEASE READ THIS ENTIRE MANUAL BEFORE OPERATING THE UNIT. If you have any questions, please contact your **BKI** Distributor. If they are unable to answer your questions, contact the **BKI** Technical Service Department, toll free: 1-800-927-6887. Outside the U.S., call 1-864-963-3471.

This unit must be sealed to the counter after it is installed to conform to NSF Standard 4, Item 4.28. (Dow Corning RTV #732 Multi purpose Sealant.)

### Safety Precautions

Always follow recommended safety precautions listed in this manual. Below is the safety alert symbol. When you see this symbol on your equipment, be alert to the potential for personal injury or property damage.



### Safety Signs and Messages

The following Safety signs and messages are placed in this manual to provide instructions and identify specific areas where potential hazards exist and special precautions should be taken. Know and understand the meaning of these instructions, signs, and messages. Damage to the equipment, death or serious injury to you or other persons may result if these messages are not followed.

#### DANGER

This message indicates an imminently hazardous situation that, if not avoided, will result in death or serious injury.

#### WARNING

This message indicates a potentially hazardous situation, which, if not avoided, could result in death or serious injury.

#### CAUTION

This message indicates a potentially hazardous situation, which, if not avoided, may result in minor or moderate injury. It may also be used to alert against unsafe practices.

#### NOTICE

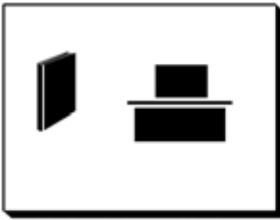
This message is used when special information, instructions or identification are required relating to procedures, equipment, tools, capacities and other special data.

### Safe Work Practices



#### Beware of High Voltage

This equipment uses high voltage. Serious injury can occur if you or any untrained or unauthorized person installs, services, or repairs this equipment. Always Use an Authorized Service agent to Service Your Equipment.



### Keep this manual with the Equipment

This manual is an important part of your equipment. Always keep it near for easy access. If you need to replace this manual, contact:

#### **BKI**

Technical Services Department  
P.O. Box 80400  
Simpsonville, S.C. 29680-0400  
Or call toll free: 1-800-927-6887  
Outside the U.S., call 864-963-3471



### Protect Children

Keep children away from this equipment. Children may not understand that this equipment is dangerous for them and others.

NEVER allow children to play near or operate your equipment.

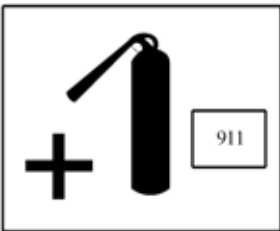


### Keep Safety Labels Clean and in Good Condition

Do not remove or cover any safety labels on your equipment. Keep all safety labels clean and in good condition. Replace any damaged or missing safety labels. Refer to the Safety Labels section for illustration and location of safety labels on this unit. If you need a new safety label, obtain the number of the specific label illustrated on page 4, then contact:

#### **BKI**

Technical Services Department  
P.O. Box 80400  
Simpsonville, S.C. 29680-0400  
Or call toll free: 1-800-927-6887  
Outside the U.S., call 864-963-3471

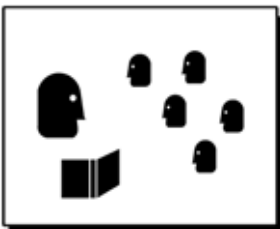


### Be Prepared for Emergencies

Be prepared for fires, injuries, or other emergencies.

Keep a first aid kit and a fire extinguisher near the equipment. You must use a 40-pound Type BC fire extinguisher and keep it within 25 feet of your equipment.

Keep emergency numbers for doctors, ambulance services, hospitals, and the fire department near your telephone.



### Know your responsibilities as an Employer

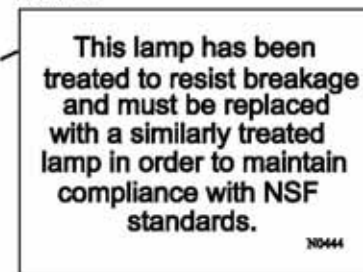
- Make certain your employees know how to operate the equipment.
- Make certain your employees are aware of the safety precautions on the equipment and in this manual.
- Make certain that you have thoroughly trained your employees about operating the equipment safely.
- Make certain the equipment is in proper working condition. If you make unauthorized modifications to the equipment, you will reduce the function and safety of the equipment.

### Safety Labels

N0200



N0444



N0202



N0158



## Installation

**⚠ WARNING**

Serious injury, equipment damage or death could result if attempting to install this unit yourself. Ensure that an authorized BKI service agent install the oven.

### ***Instructions For Shipping Damage***

You are responsible for filing all freight claims with the delivering truck line. Inspect all cartons and crates for damage when they arrive. If there is damage noted to shipping crates or cartons, or, if a shortage is found, note this on the bill of lading (all copies) before signing.

If damage is detected when the equipment is uncrated, immediately call the delivering truck line and follow up the call with a written report indicating concealed damage to your equipment. Ask for an immediate inspection of your concealed damage item. Crating material **MUST** be retained to show the inspector from the truck line.

### ***Electrical Information And Grounding***

**⚠ WARNING**

Electrocution, equipment failure or property damage could result if an unlicensed electrician performs the electrical installation. Ensure that a licensed electrician perform the electrical installation in accordance with local codes, or in the absence of local codes, with the National Electrical Code, ANSI NFPA 70-20XX.

**⚠ CAUTION**

The FW-15DTO has 2 power supply cords. Ensure that each cord is connected to a separate power supply circuit. Always unplug both power cords before servicing, moving or testing the unit.

BKI Fry Warmers are wired for use in accordance with all applicable local, state, and federal codes. For specific electrical requirements and connections refer to the wiring diagram attached to the unit or provided in the Service Manual.

### ***Installation Instructions***

**NOTICE**

If a side or back panel is removed on the chute, the other two sides must be sealed with NSF approved silicone. Seal all inside seams greater than 1/32".

### **FW-12 & FW-12T (Side Breather)**

#### **Countertop Adapter (FW-12 only)**

1. Obtain a suitable countertop location for the unit that will provide a clearance of 4" from the side louvers.
2. Position the adapter (WN31206400) on the countertop.
3. Using a 1/8" drill bit, drill holes in the countertop used to secure the adapter to the countertop.
4. Using a 2" hole saw, drill a hole in the countertop (directly under the hole in the adapter) used for the power cord to pass through.
5. Secure adapter to countertop with # 8 sheet metal screws.
6. Seal adapter to the countertop to conform to NSF Standard 4, Item 4.28. (Dow Corning RTV #732 Multi purpose Sealant.)
7. Feed power cord (supplied), up through holes in countertop and adapter.

8. Connect wires of power cord to power entry terminal block according to the wiring diagram attached to the unit or provided in the Service Manual.
9. Position main unit on the adapter and secure using #8 sheet metal screws.
10. Fit pan insert to main unit by lifting the open side of pan insert over the two tabs on main unit and lower the pan insert into the opening in the adapter.

### **Countertop Cutout (FW-12 & FW-12T)**

1. Obtain a suitable countertop location for the unit that will provide a clearance of 4" from the side louvers.
2. Cut a 12" x 20" hole in the countertop to fit the pan insert.
3. Using a 1/8" drill bit, drill holes in the countertop used to secure the main unit to the countertop.
4. Using a 2" hole saw, drill a hole in the countertop (under where the main unit will be secured) for the power cord to pass through.
5. Feed power cord (supplied), up through hole in countertop.
6. Connect wires of power cord to power entry terminal block according to the wiring diagram attached to the unit or provided in the Service Manual.
7. Position main unit on the countertop and secure using #8 sheet metal screws.
8. Seal main unit to the countertop after it is installed to conform to NSF Standard 4, Item 4.28. (Dow Corning RTV #732 Multi purpose Sealant.)
9. Fit pan insert to main unit by lifting the open side of pan insert over the two tabs on main unit and lower the pan insert into the opening in the countertop.

### **FW-15 (Side Breather)**

#### **Countertop Adapter (WN31206500)**

1. Obtain a suitable countertop location for the unit that will provide a clearance of 4" from the side louvers.
2. Position the adapter (WN31206500) on the countertop.
3. Using a 1/8" drill bit, drill holes in the countertop used to secure the adapter to the countertop.
4. Using a 2" hole saw, drill a hole in the countertop (directly under the hole in the adapter) used for the power cord to pass through.
5. Secure adapter to countertop with # 8 sheet metal screws.
6. Seal adapter to the countertop to conform to NSF Standard 4, Item 4.28. (Dow Corning RTV #732 Multi purpose Sealant.)
7. Feed power cord (supplied), up through holes in countertop and adapter.
8. Connect wires of power cord to power entry terminal block according to the wiring diagram attached to the unit or provided in the Service Manual.
9. Position main unit on the adapter and secure using #8 sheet metal screws.
10. Fit pan insert to main unit by lifting the open side of pan insert over the two tabs on main unit and lower the pan insert into the opening in the adapter.



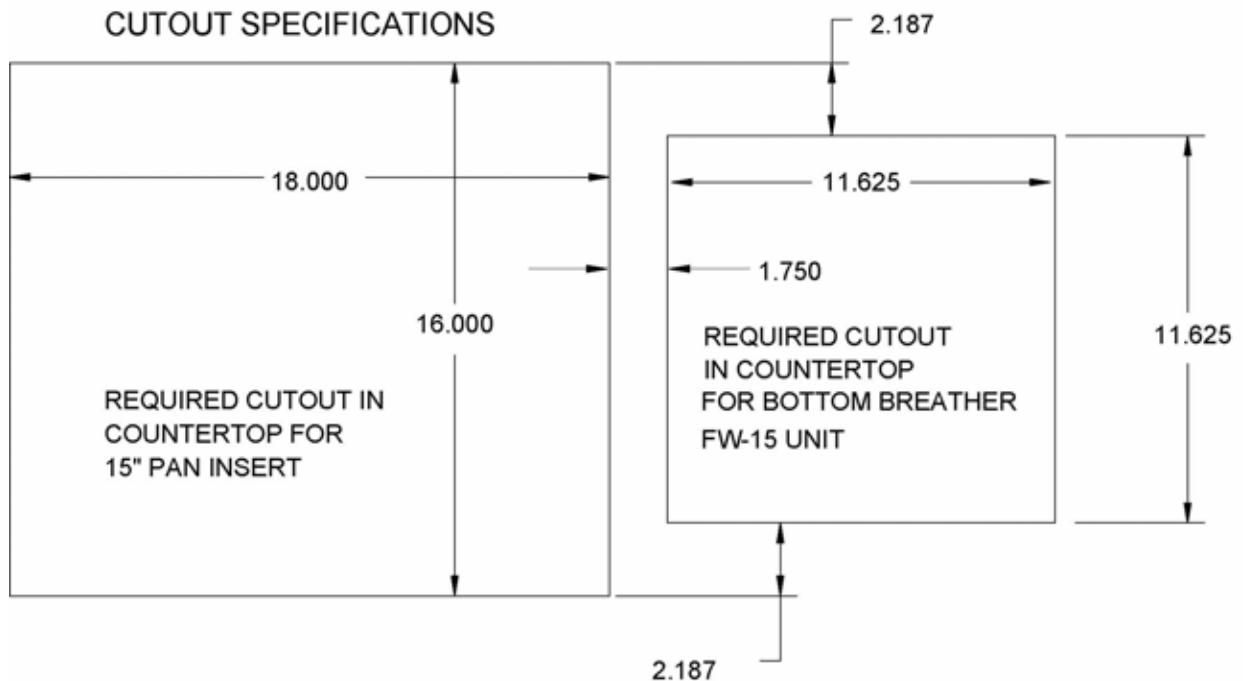
### Countertop Cutout

1. Obtain a suitable countertop location for the unit that will provide a clearance of 4" from the side louvers.
2. Cut a 16" x 18" hole in the countertop to fit the pan insert.
3. Using a 1/8" drill bit, drill holes in the countertop used to secure the main unit to the countertop.
4. Using a 2" hole saw, drill a hole in the countertop (under where the main unit will be secured) for the power cord to pass through.
5. Feed power cord (supplied), up through hole in countertop.
6. Connect wires of power cord to power entry terminal block according to the wiring diagram attached to the unit or provided in the Service Manual.
7. Position main unit on the countertop and secure using #8 sheet metal screws.
8. Seal main unit to the countertop to conform to NSF Standard 4, Item 4.28. (Dow Corning RTV #732 Multi purpose Sealant.)
9. Fit pan insert to main unit by lifting the open side of pan insert over the two tabs on main unit and lower the pan insert into the opening in the countertop.

### FW-15 (Bottom Breather)

#### Countertop Collar Weldment With Liner Pan (WB31216000)

1. Obtain a suitable countertop location for the unit.
2. Cut holes in the countertop for the countertop collar weldment with liner pan (WB31216000) according to illustration below:

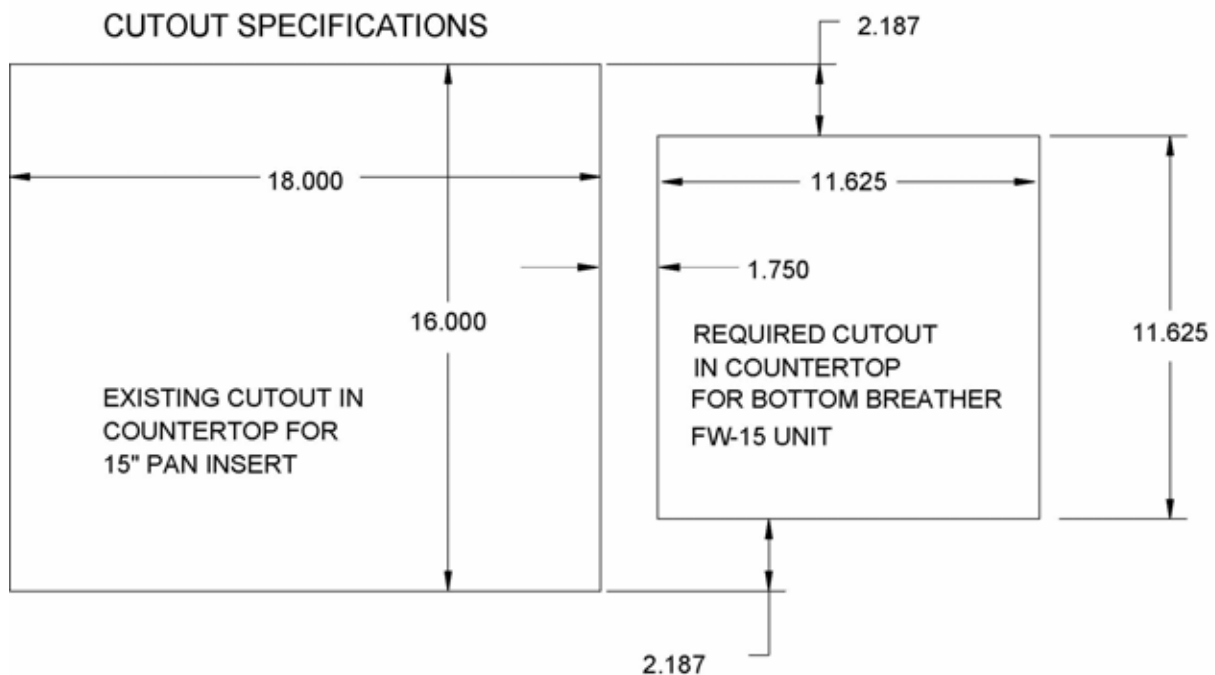


3. Using a 1/8" drill bit, drill holes in the countertop used to secure WB31216000 to the countertop.

4. Secure WB31216000 to countertop with # 8 sheet metal screws.
5. Seal WB31216000 to the countertop to conform to NSF Standard 4, Item 4.28. (Dow Corning RTV #732 Multi purpose Sealant.)
6. Feed power cord (supplied), up through holes in WB31216000.
7. Connect wires of power cord to power entry terminal block according to the wiring diagram attached to the unit or provided in the Service Manual.
8. Position main unit on WB31216000.
9. Fit pan insert to main unit by lifting the open side of pan insert over the two tabs on main unit and lower the pan insert into the opening in the WB31216000.

#### Countertop Collar Weldment Without Liner Pan (WB31211900)

1. Obtain a suitable countertop location for the unit.
2. Cut a hole in the countertop for the countertop collar weldment without liner pan (WB31211900) according to illustration below:



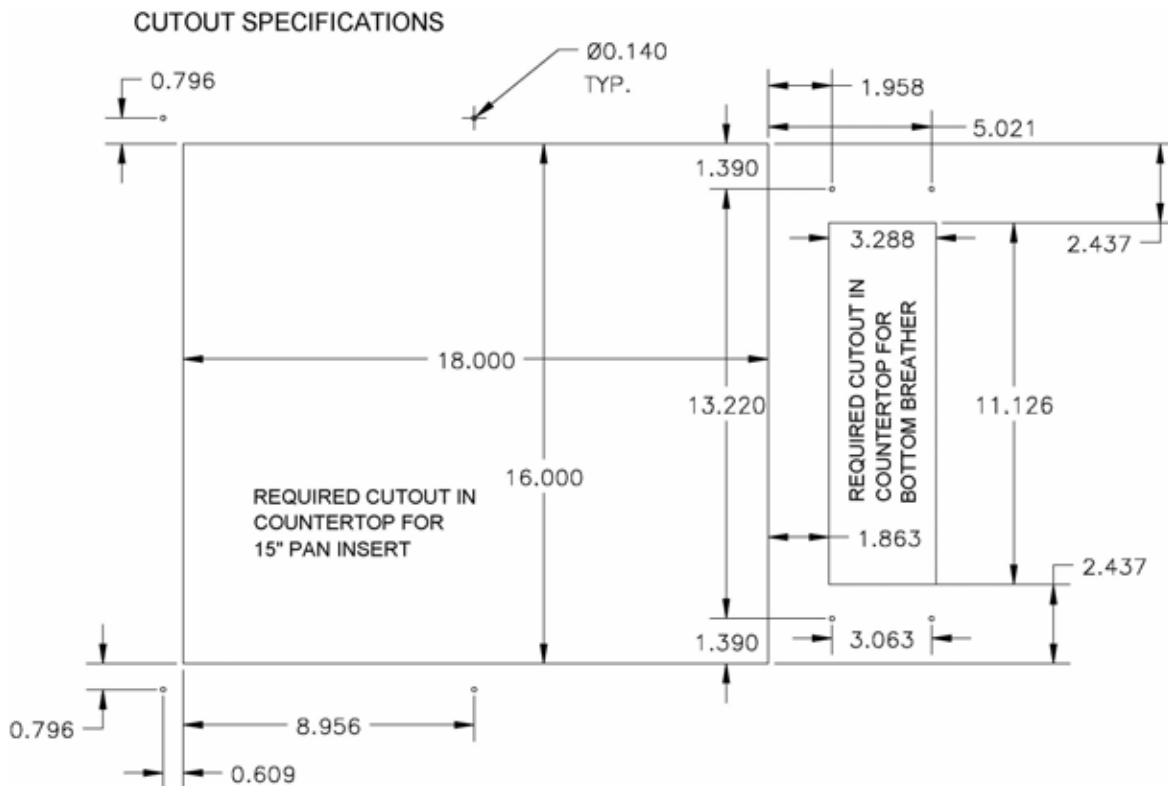
3. Using a 1/8" drill bit, drill holes in the countertop used to secure WB31211900 to the countertop.
4. Secure WB31211900 to countertop with # 8 sheet metal screws.
5. Seal WB31211900 to the countertop to conform to NSF Standard 4, Item 4.28. (Dow Corning RTV #732 Multi purpose Sealant.)
6. Feed power cord (supplied), up through holes in WB31211900.
7. Connect wires of power cord to power entry terminal block according to the wiring diagram attached to the unit or provided in the Service Manual.

8. Position main unit on WB31211900.
9. Fit pan insert to main unit by lifting the open side of pan insert over the two tabs on main unit and lower the pan insert into the opening in the countertop.

## FW-15T/FW-15DTO (Bottom Breather)

### Countertop Collar Weldment With Liner Pan (WB31217700)

1. Obtain a suitable countertop location for the unit.
2. Cut holes in the countertop for the countertop collar weldment with liner pan (WB31217700) according to illustration below:



3. Using a 1/8" drill bit, drill holes in the countertop used to secure WB31217700 to the countertop.
4. Secure WB31217700 to countertop with # 8 sheet metal screws.
5. Seal WB31217700 to the countertop to conform to NSF Standard 4, Item 4.28. (Dow Corning RTV #732 Multi purpose Sealant.)
6. Feed power cord (supplied), up through holes in WB31217700.
7. Connect wires of power cord to power entry terminal block according to the wiring diagram attached to the unit or provided in the Service Manual.
8. Position main unit on WB31217700.
9. Fit pan insert to main unit by lifting the open side of pan insert over the two tabs on main unit and lower the pan insert into the opening in the WB31217700.

---

## Maintenance

**⚠ CAUTION**

Failure to comply with the maintenance below could result in a serious accident.

**⚠ WARNING**

Electrocution, equipment failure or property damage could result if an unlicensed electrician performs electrical repair. Ensure that a licensed electrician perform electrical repair.

### ***Scheduled Maintenance***

#### **Cleaning**

This unit should be cleaned at the end of each working day. Use the following procedure:

**⚠ DANGER**

Failure to remove power from this unit may cause severe electrical shock. This unit may have more than one disconnect switch.

**⚠ CAUTION**

Never use abrasive cleaners that may damage the finish.

Never steam clean the interior.

Avoid getting excess water in the interior of the unit.

Do not clean the heater/blower assembly by applying compressed air.

Do not leave this unit on and unattended after business hours.

1. Turn the unit off and allow it to cool down to room temperature.
2. Remove any food.
3. Remove the pan and tray, and clean around the slotted holes at the air discharge on the chute. Clean the pan and tray.
4. Clean the air intakes using a mild soap and water solution. When cleaning an FW-15 (Bottom Breather), tilt unit up and clean the dust off the screen attached to the base.
5. Sponge the inside and outside of the unit with a mild soap and water solution, being sure to clean all areas. Avoid getting water in the interior of the unit.
6. Wipe the parts and unit dry with a soft, clean cloth and replace the pan and tray.

## Troubleshooting

Refer to the table below for troubleshooting information.

Problem	Cause	Possible Solution
Warmer chute is not holding heat	Ceramic heating element failure	Contact an authorized BKI service agent for corrective action.
Noisy fan	Fan blade is dirty or fan bearings are failing	Contact an authorized BKI service agent for corrective action.
<b>FW-15/FW-15T/FW-15DTO (Bottom Breather)</b>		
Warmer chute is not heating and perforated pan is not heating	No power to unit.	Make sure that the circuit breaker and switch at the power supply are supplying power to the unit. If problem persists, contact licensed electrician.
Warmer chute is heating and the perforated pan is not heating	Fan has overheated and cut off Or Heating coil has failed	Wipe the dust from the air intake louvers to allow proper airflow and prevent fan overheating. Turn the power switch off. Wait 60 seconds. Turn the power switch back on.  Contact an authorized BKI service agent for corrective action.
<b>FW-12/FW-12T/FW-15 (Side Breather)</b>		
Warmer chute is not heating and perforated pan is not heating	No power to unit or main switch is off.	Make sure that the circuit breaker and switch at the power supply are supplying power to the unit. If problem persists, contact licensed electrician.
Warmer chute is heating and the perforated pan is not heating	Fan has overheated and cut off or fan has failed Or Heating coil has failed	Check to see if dust or any other object is blocking the air intake. Remove blockage if necessary. If problem persists contact an authorized BKI service agent for corrective action.  Contact an authorized BKI service agent for corrective action.

## Repair

### NOTICE

Before replacing any parts, make sure the power has been turned off and the unit has cooled down.

## Lamp Replacement

### NOTICE

Only use Teflon-coated lamp to prevent glass contamination.

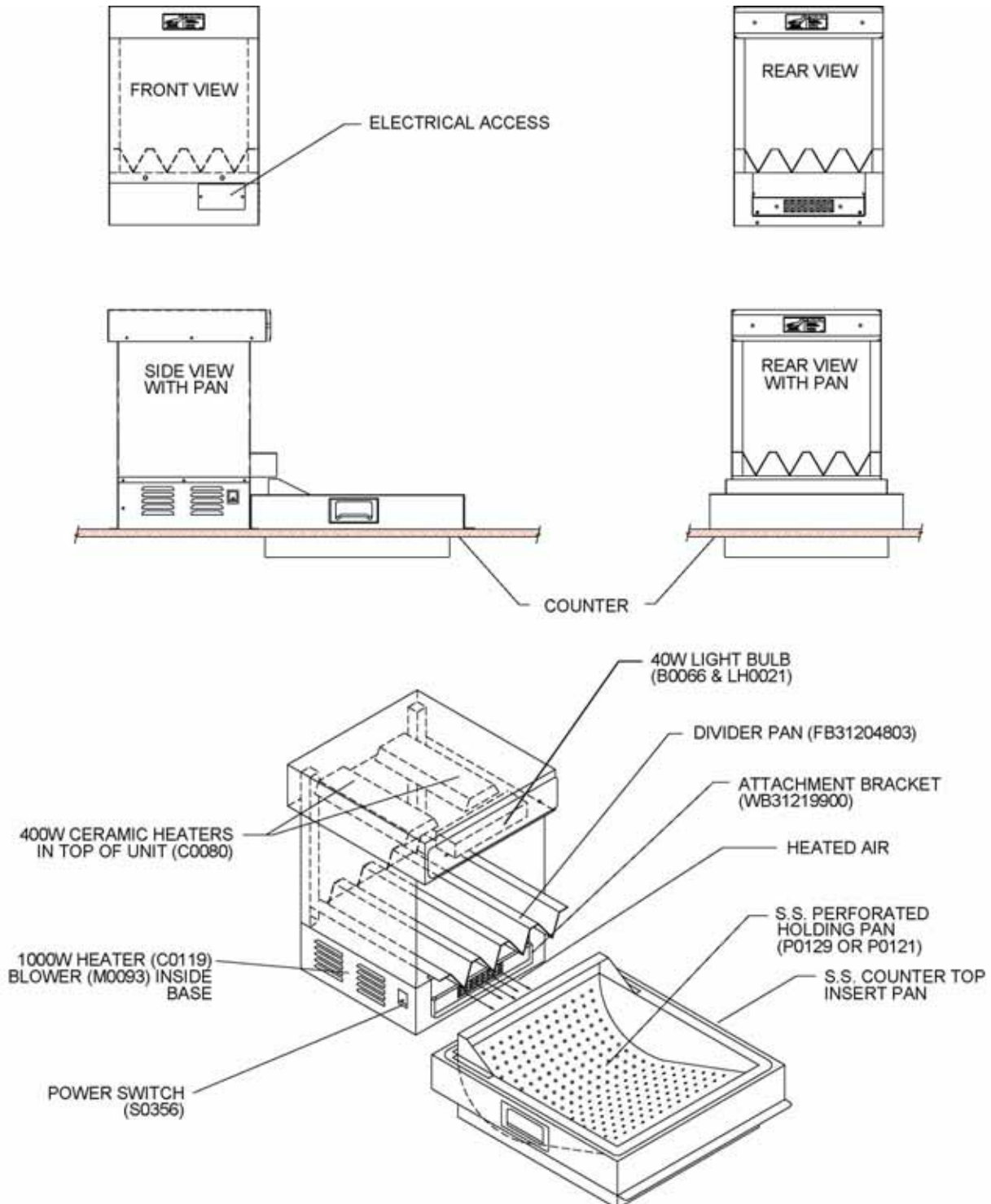
1. Make sure power to the unit is OFF and the unit has cooled down.
2. Carefully remove the faulty lamp.
3. Replace with the new lamp.

## Replacement Parts

Use the information in this section to identify replacement parts. To order replacement parts, call your local BKI sales and service representative. Before calling, please note the serial number on the rating tag affixed to the unit.

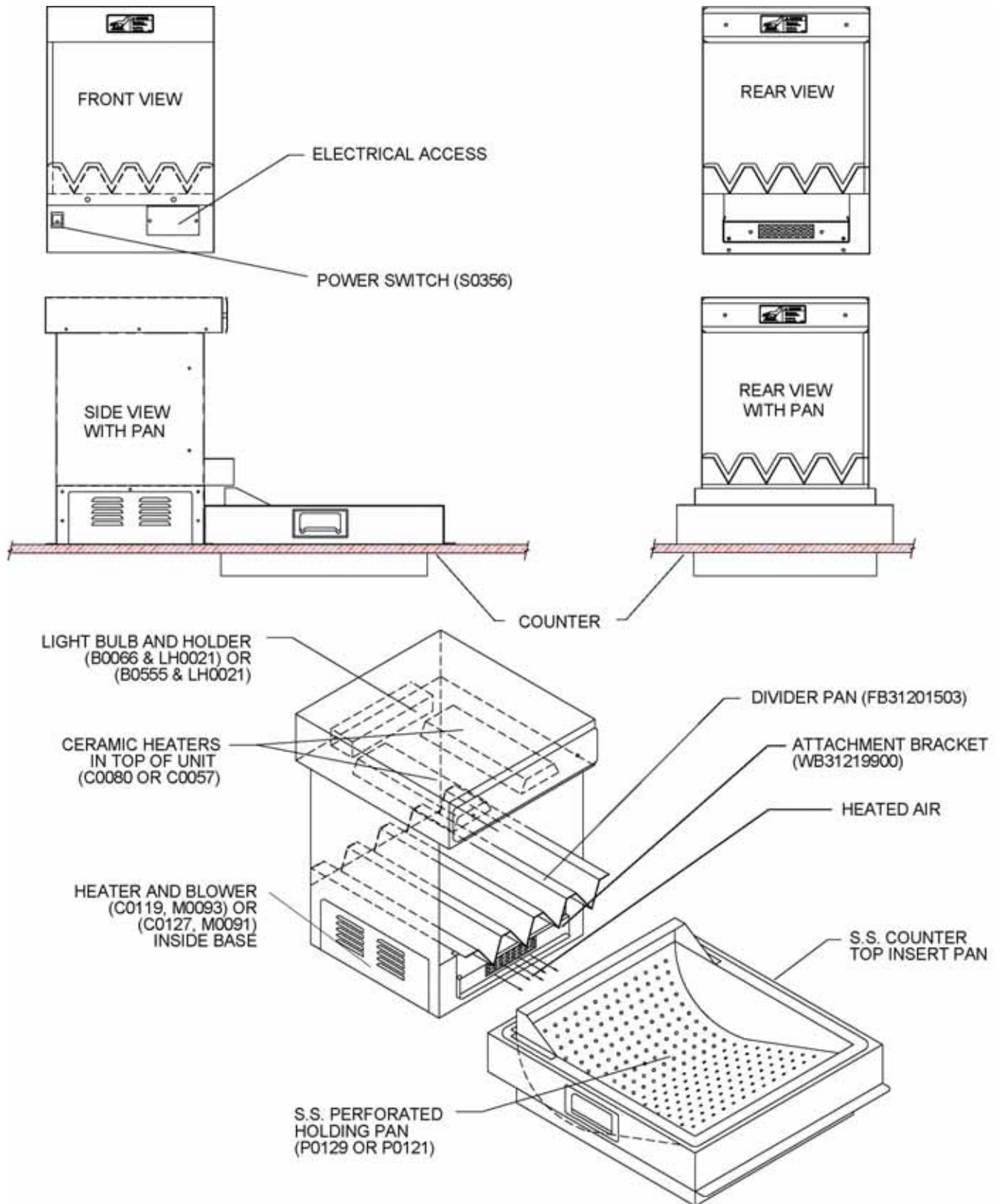
### Components

#### FW-12/FW-15 CUF (Side Breather)



<b>PART #</b>	<b>QTY</b>	<b>DESCRIPTION</b>
B0066	1	BULB, 40A15 130V TEFLON COATED
C0119	1	CALROD, 120V 1000W 140C C/U SWITCH
C0080	2	CALROD, 120V 400W CERAMIC
CS0024	1	CORD SET, 12/3 SJTO 8' 30"LEAD
FB31204803	1	DIVIDER PAN FW CUF
WB31219900	1	GREASE DEFL.RET.BRKT.WELD FW
LH0021	1	LAMPHOLDER, #62602 HI TEMP
M0093	1	MOTOR BLOWER ASSY 120V
P0129	1	PAN INSERT 12" FW
P0121	1	PAN INSERT 15" FW
S0356	1	SWITCH, ROCKER 16A 250V

### FW-12/FW-15 PASS THRU (Side Breather)

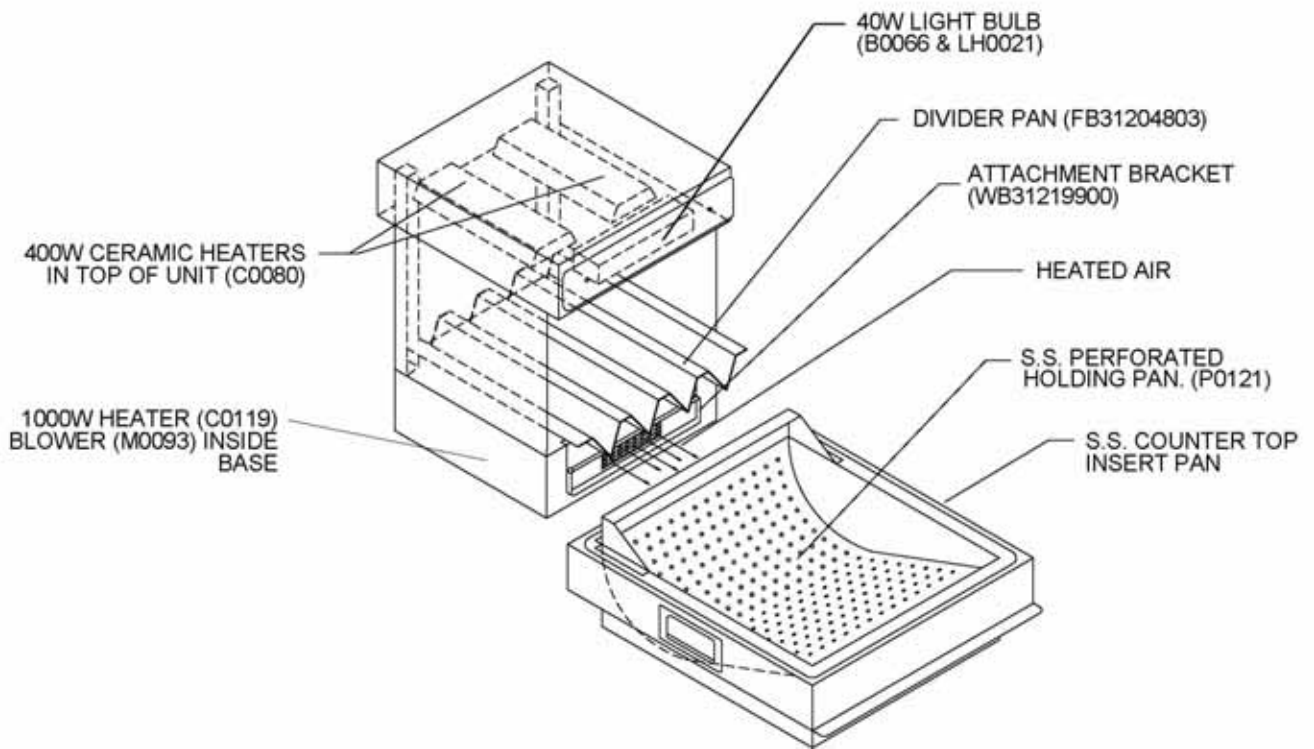
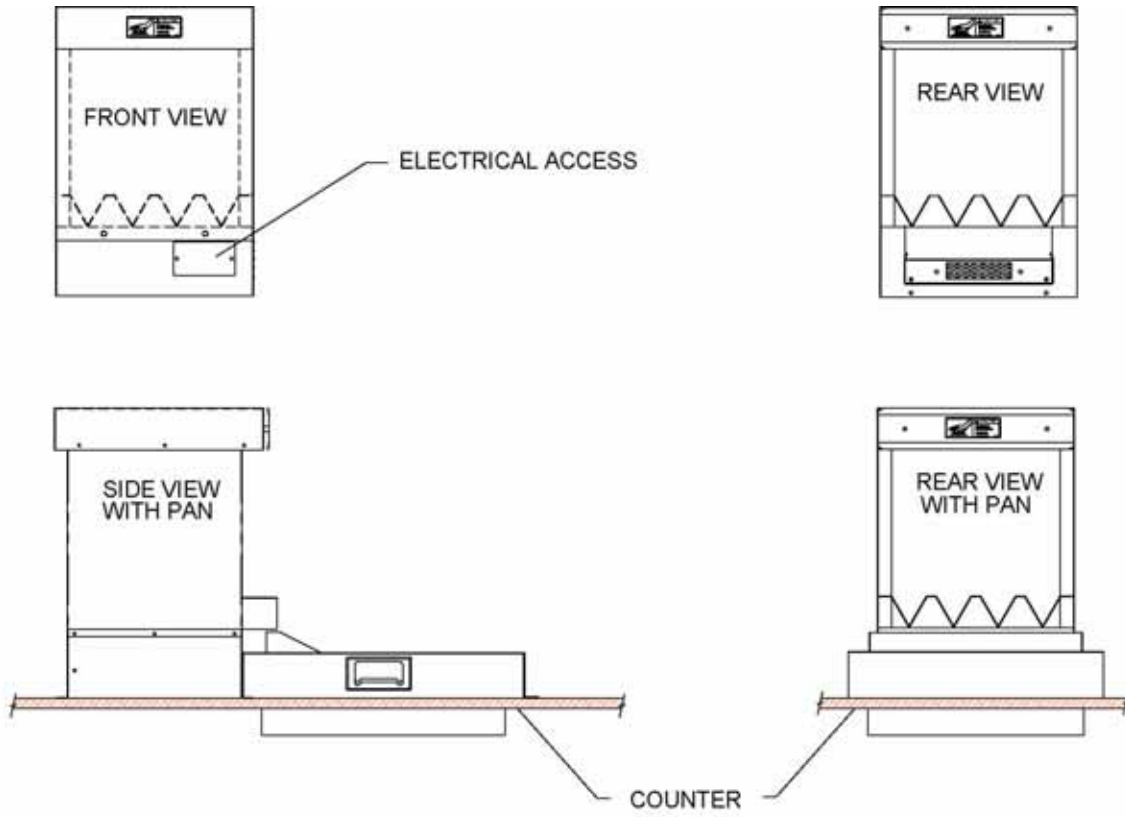




PART #	QTY	DESCRIPTION
B0555*	1	BULB, 150W 240V HALOGEN COATED (220V England)
B0066	1	BULB, 40A15 130V TEFLON COATED
C0119	1	CALROD, 120V 1000W 140C C/U SWITCH
C0080	2	CALROD, 120V 400W CERAMIC
C0127*	1	CALROD, 220V 1000W 140C C/U SWITCH (220V England)
C0057*	2	CERAMIC HTR 400W FULL SIZE 220/240V (220V England)
CS0024	1	CORD SET, 12/3 SJTO 8' 30"LEAD
FB31201503	1	DIVIDER PAN, FW15
WB31219900	1	GREASE DEFL.RET.BRKT.WELD FW
LH0021	1	LAMPHOLDER, #62602 HI TEMP
M0093	1	MOTOR BLOWER ASSY 120V
M0091*	1	MOTOR, BLOWER ASSY (220V England)
P0129	1	PAN INSERT 12" FW
P0121	1	PAN INSERT 15" FW
S0356	1	SWITCH, ROCKER 16A 250V

\* - These parts are only associated with the 220V England model

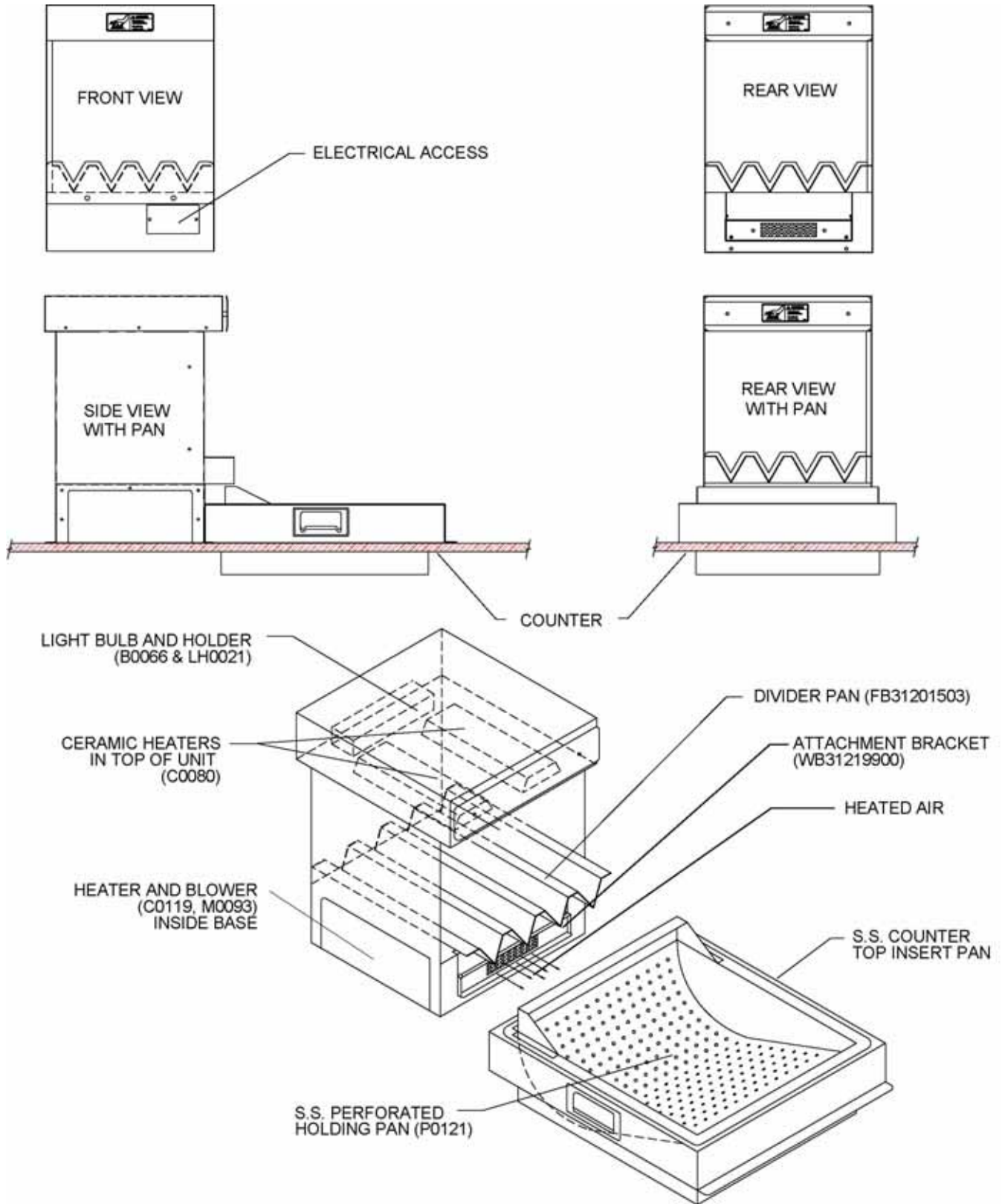
### FW-15 CUF (Bottom Breather)



---

<b>PART #</b>	<b>QTY</b>	<b>DESCRIPTION</b>
B0066	1	BULB, 40A15 130V TEFLON COATED
C0119	1	CALROD, 120V 1000W 140C C/U SWITCH
C0080	2	CALROD, 120V 400W CERAMIC
CS0024	1	CORD SET, 12/3 SJTO 8' 30"LEAD
FB31204803	1	DIVIDER PAN FW CUF
WB31219900	1	GREASE DEFL.RET.BRKT.WELD FW
LH0021	1	LAMPHOLDER, #62602 HI TEMP
M0093	1	MOTOR BLOWER ASSY 120V
P0121	1	PAN INSERT 15" FW

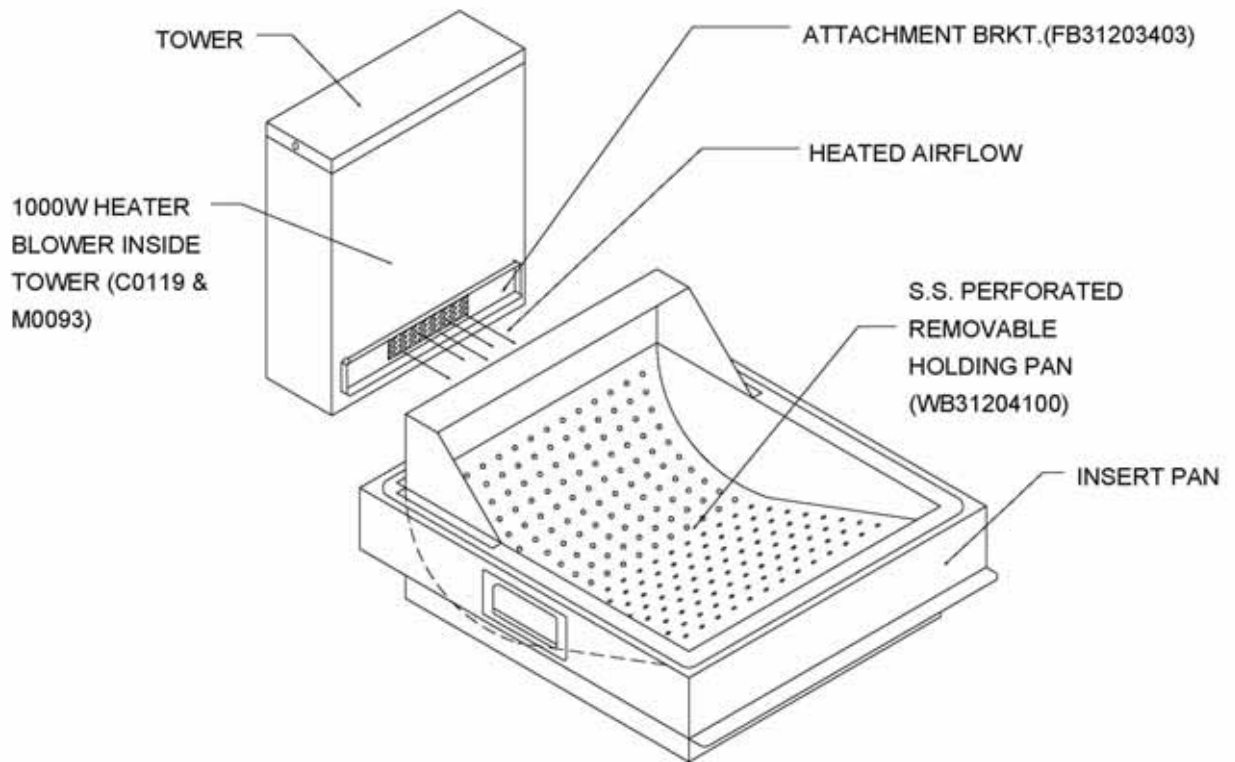
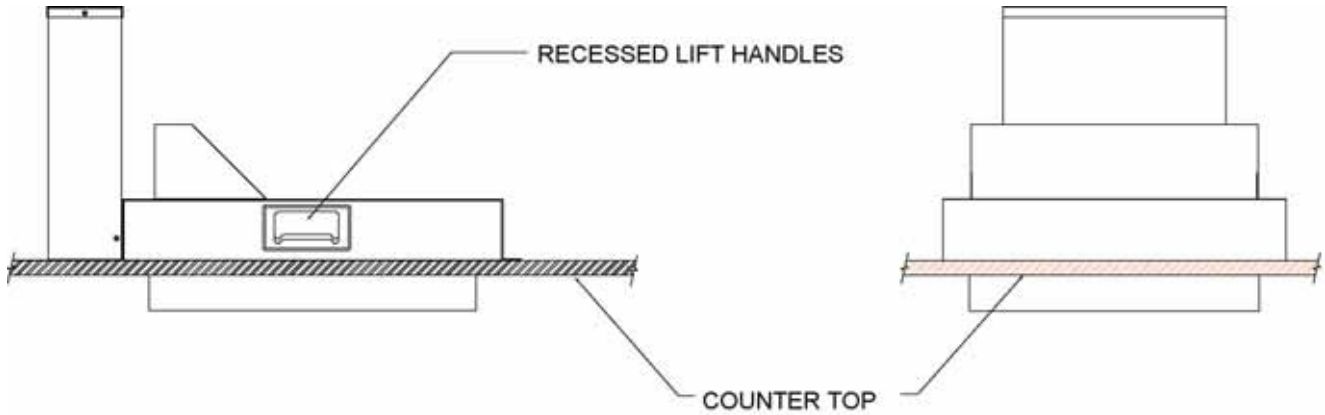
### FW-15 PASS THRU (Bottom Breather)



---

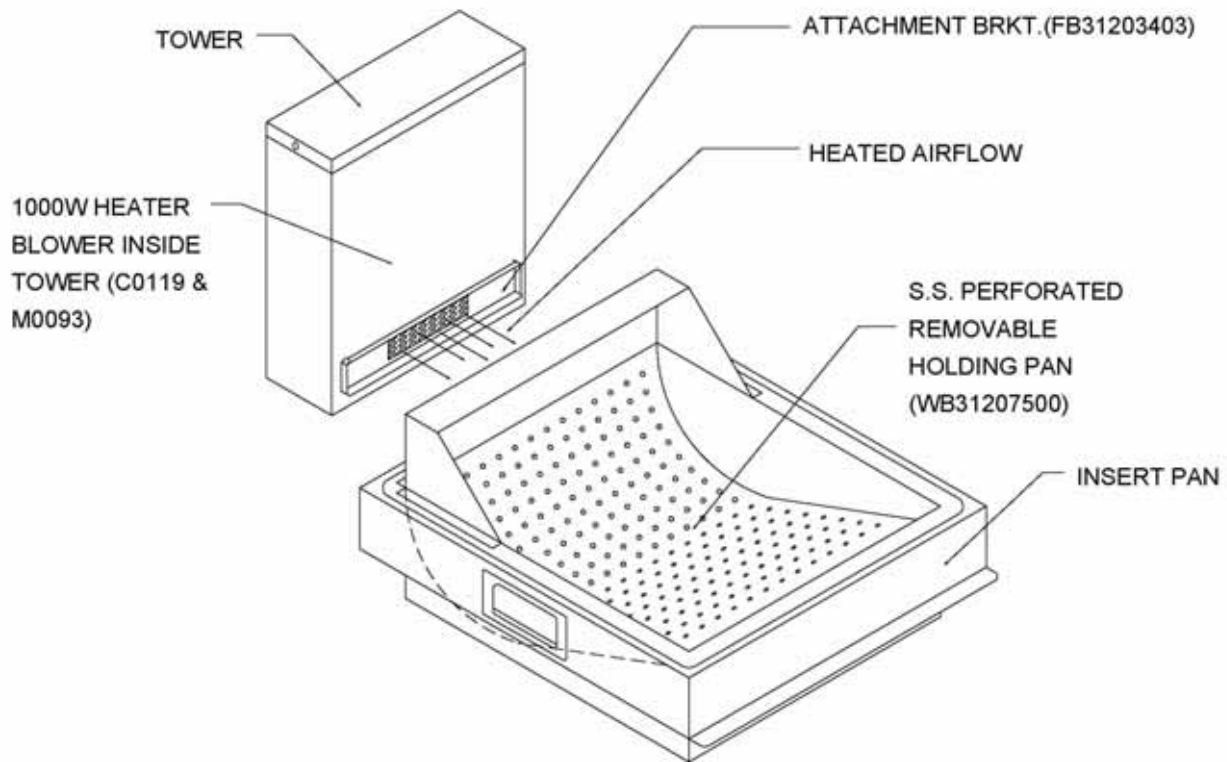
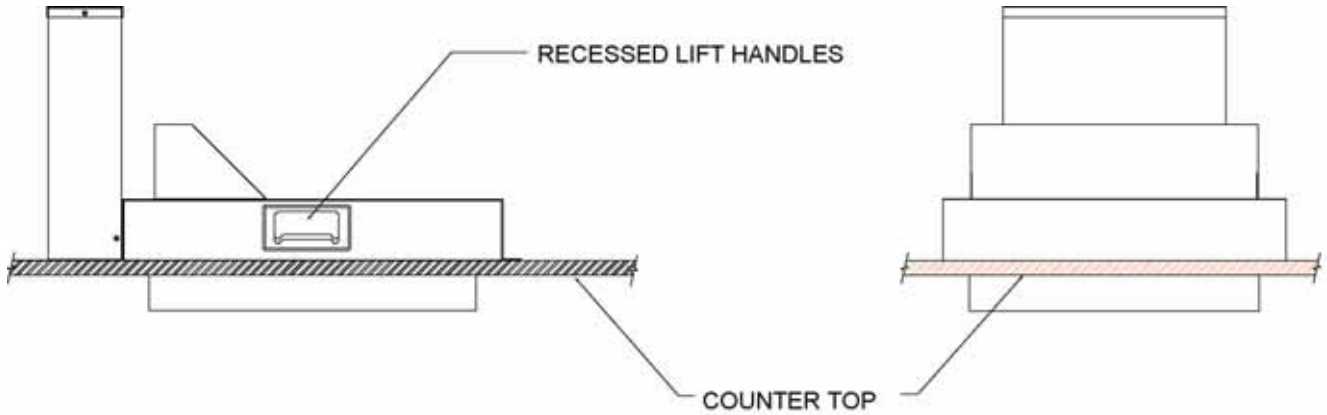
<b>PART #</b>	<b>QTY</b>	<b>DESCRIPTION</b>
B0066	1	BULB, 40A15 130V TEFLON COATED
C0119	1	CALROD, 120V 1000W 140C C/U SWITCH
C0080	2	CALROD, 120V 400W CERAMIC
CS0024	1	CORD SET, 12/3 SJTO 8' 30"LEAD
FB31201503	1	DIVIDER PAN, FW15
WB31219900	1	GREASE DEFL.RET.BRKT.WELD FW
LH0021	1	LAMPHOLDER, #62602 HI TEMP
M0093	1	MOTOR BLOWER ASSY 120V
P0121	1	PAN INSERT 15" FW

**FW-12T (Side Breather)**



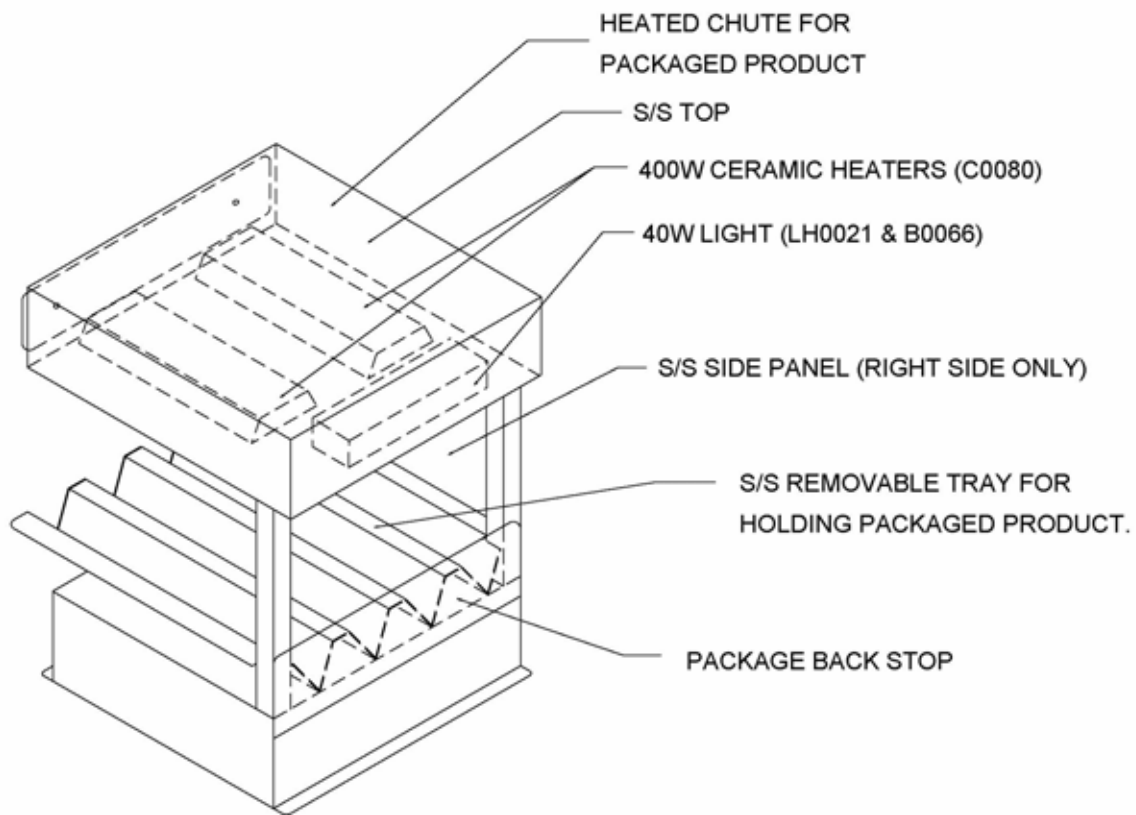
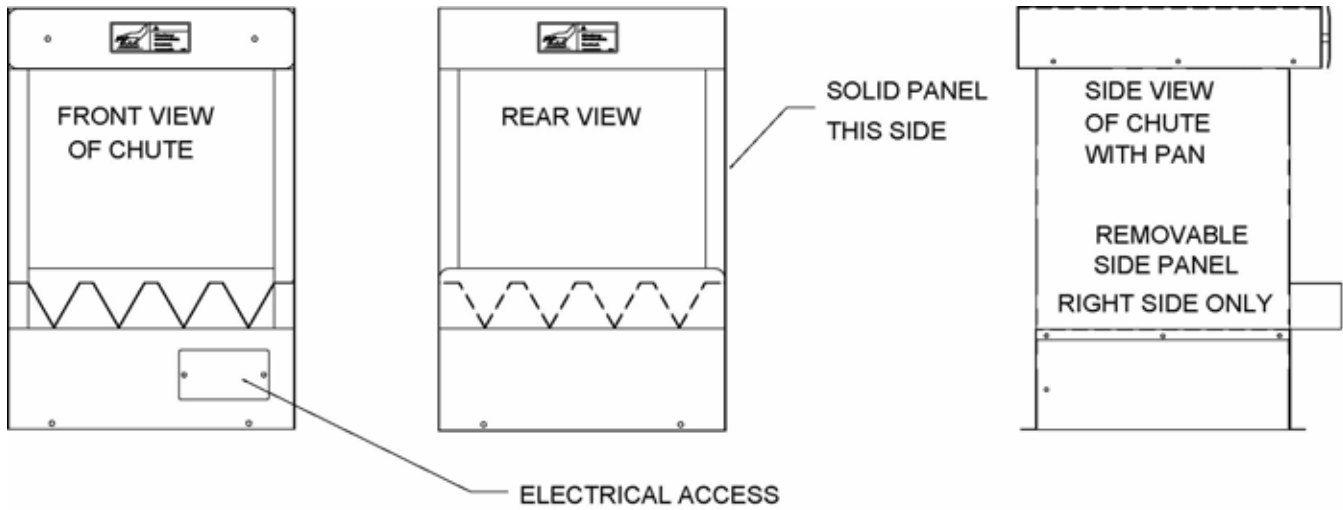
PART #	QTY	DESCRIPTION
WB31204100	1	BLOWER PAN FW-12 WELD
C0119	1	CALROD, 120V 1000W 140C C/U SWITCH
CS0005	1	CORD SET, 115V 7'6"
M0093	1	MOTOR BLOWER ASSY 120V
FB31203403	1	PAN RETAINING BRKT FW

**FW-15T (Bottom Breather)**

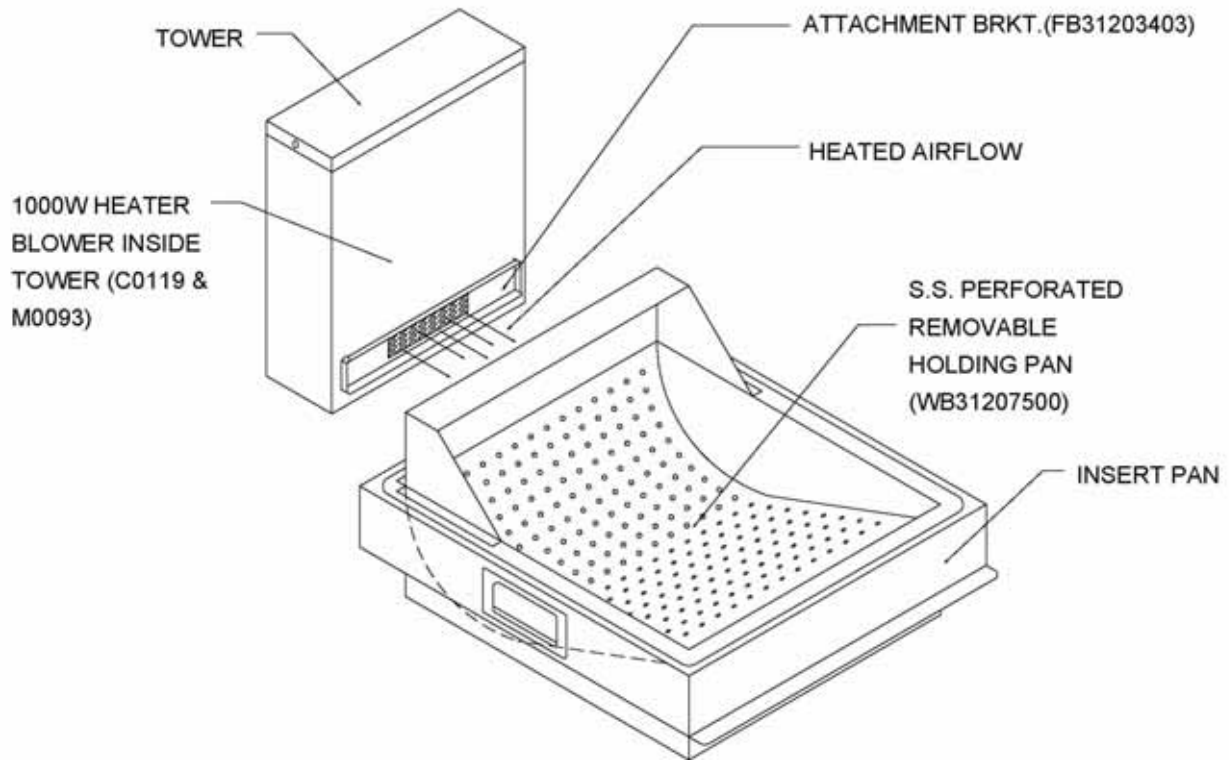
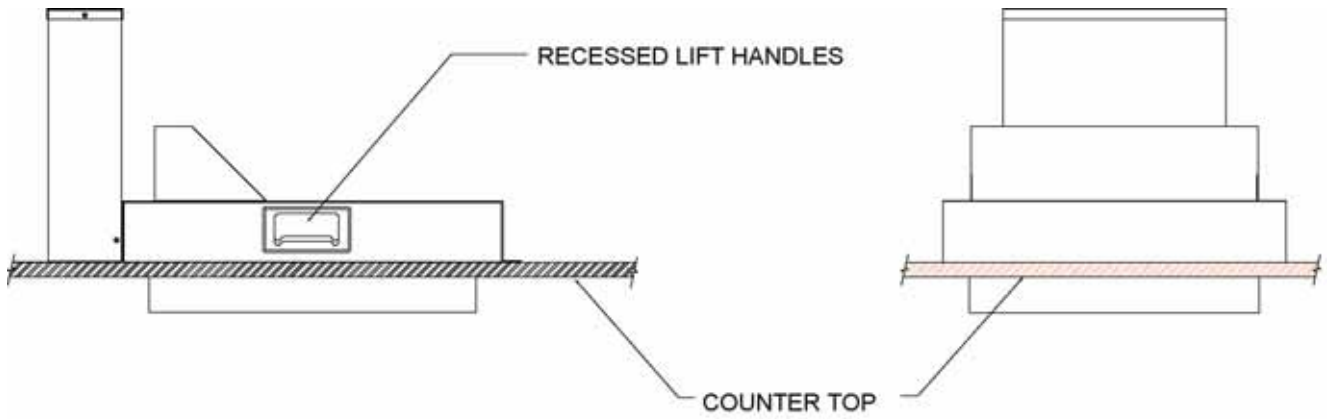


PART #	QTY	DESCRIPTION
C0119	1	CALROD, 120V 1000W 140C C/U SWITCH
CS0005	1	CORD SET, 115V 7'6"
M0093	1	MOTOR BLOWER ASSY 120V
FB31203403	1	PAN RETAINING BRKT FW
WB31207500	1	PER PAN INSERT W/4" SHIELD FW15

### FW-15DTO (Bottom Breather)

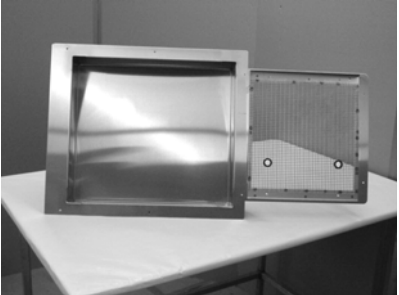

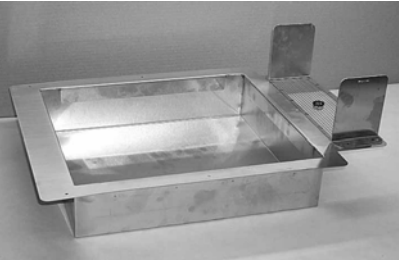
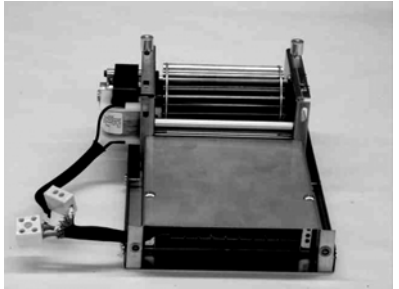








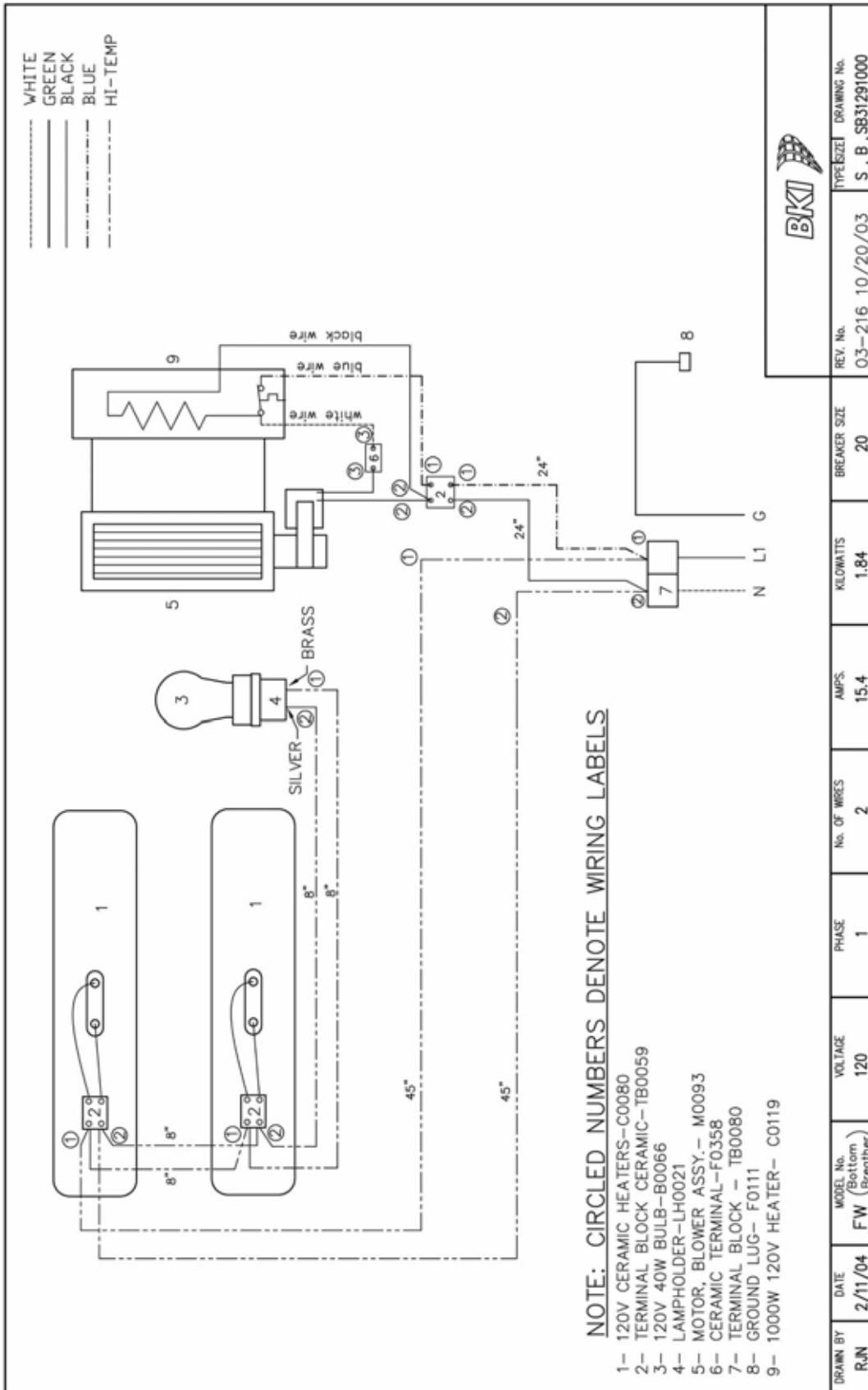
PART #	QTY	DESCRIPTION
B0066	1	BULB, 40A15 130V TEFLON COATED
C0119	1	CALROD, 120V 1000W 140C C/U SWITCH
C0080	2	CALROD, 120V 400W CERAMIC
CS0005	2	CORD SET, 115V 7'6"
FB31204803	1	DIVIDER PAN FW CUF
LH0021	1	LAMPHOLDER, #62602 HI TEMP
M0093	1	MOTOR BLOWER ASSY 120V
FB31203403	1	PAN RETAINING BRKT FW
WB31207500	1	PER PAN INSERT W/4" SHIELD FW15

**Accessories**

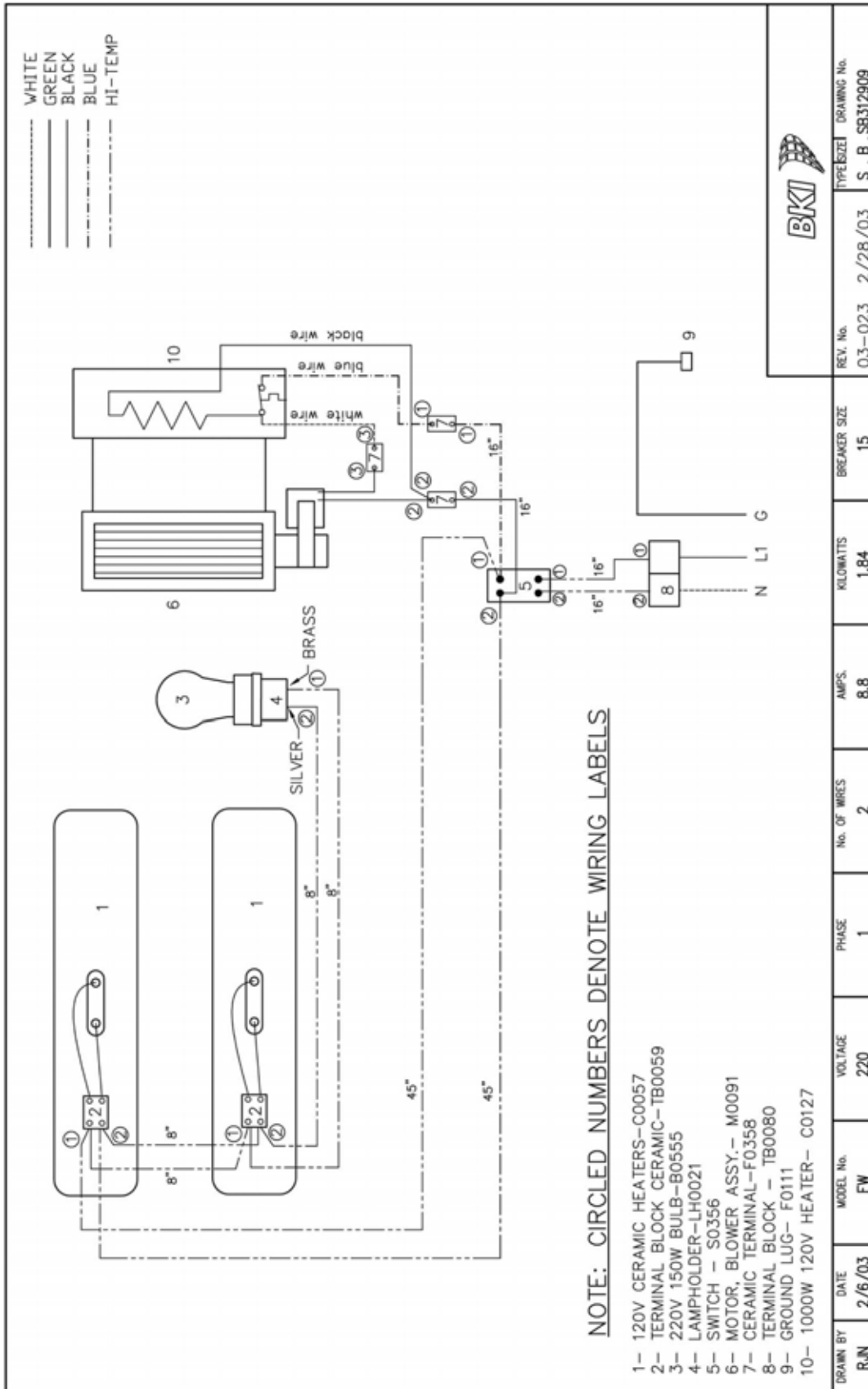
PART #	DESCRIPTION	PICTURE
WB31216000	COUNTER TOP COLLAR WELDMENT WITH LINER PAN ATTACHED, BOTTOM BREATHER FW	
WB31211900	COUNTER TOP COLLAR WELDMENT WITHOUT LINER PAN ATTACHED, BOTTOM BREATHER FW	
WB31217700	COUNTER TOP COLLAR WELDMENT FW TOWER W/PAN LINER, BOTTOM BREATHER	
AN3121460S	FW HEATER MOTOR ASSY (BAY MOTOR)	
WN31206400	TABLE TOP ADAPTER FW-12	
WN31206500	TABLE TOP ADAPTER FW-15	



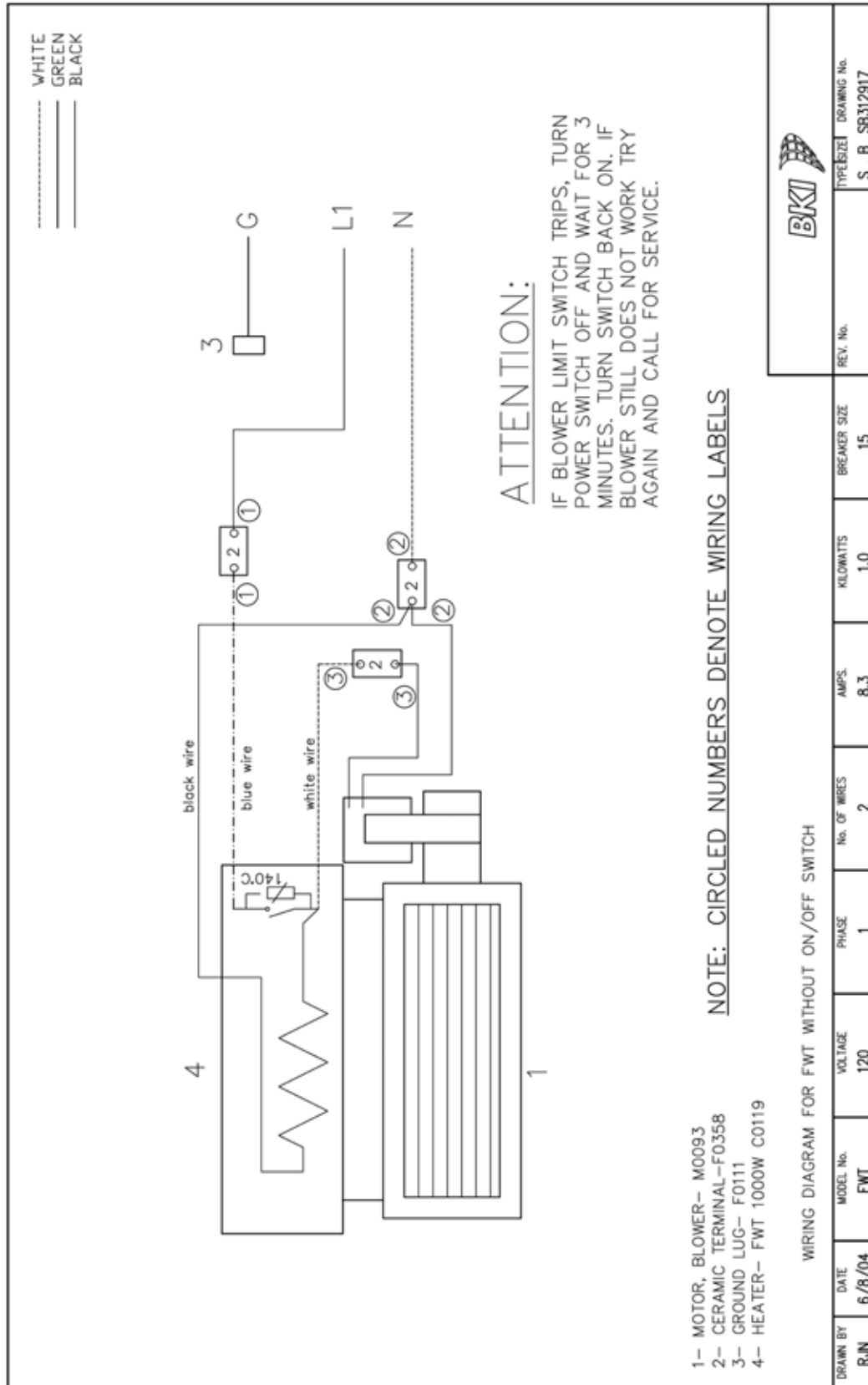
**FW-12/FW-15 (Bottom Breather)**



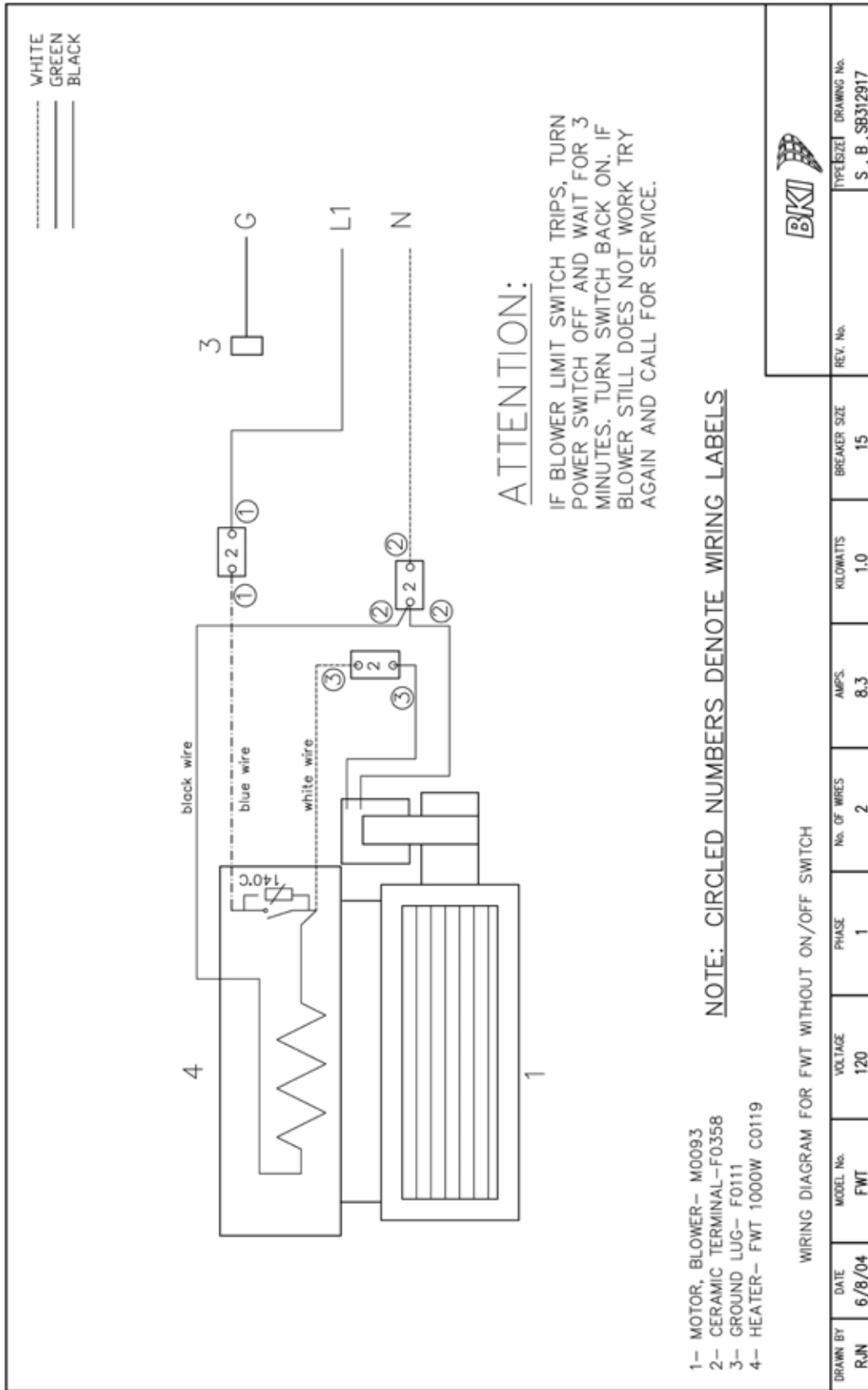
FW-15 (220V England)

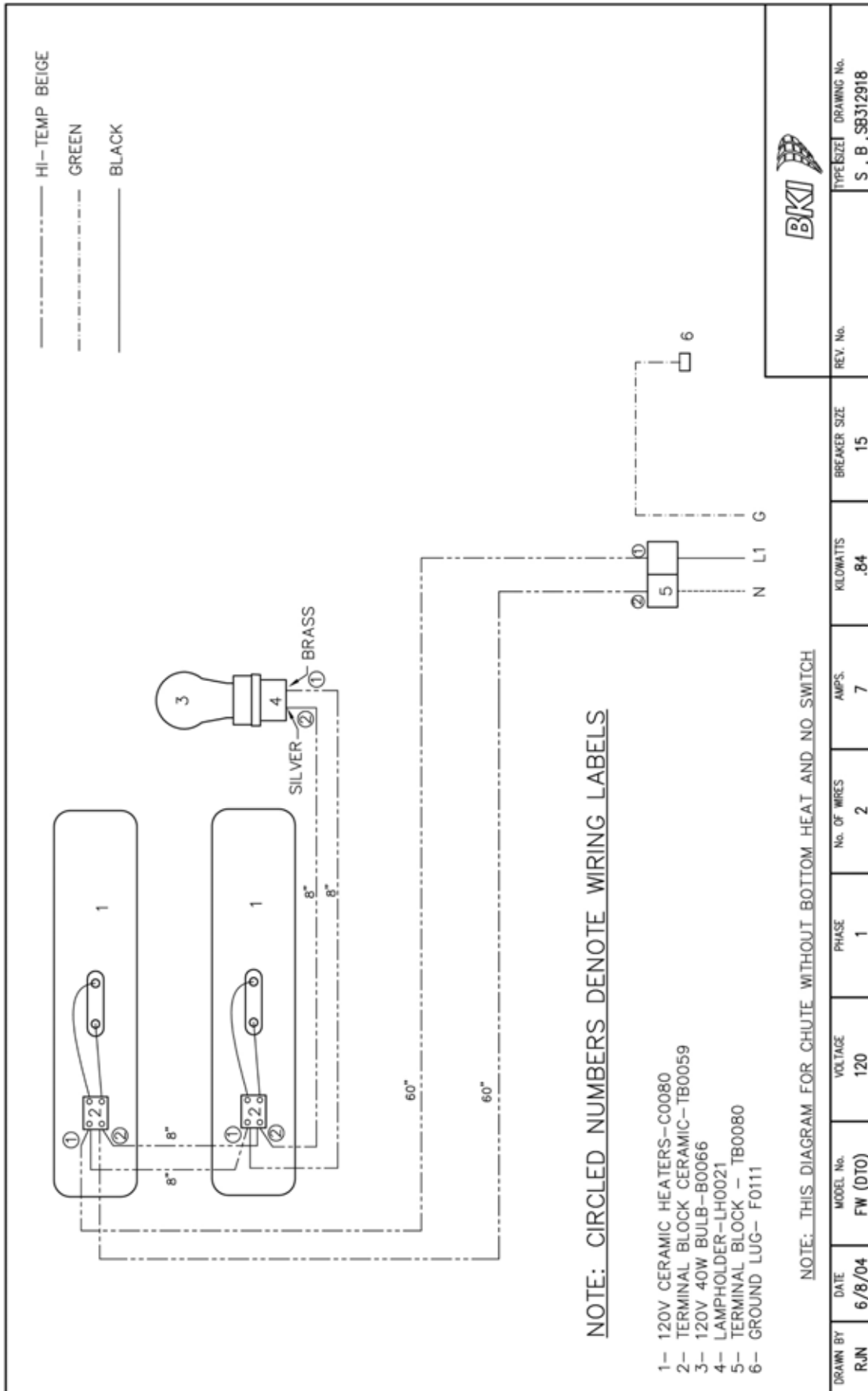


**FW-12T/FW-15T**



**FW-15DTO (Bottom Breather)**







## **Notes**







P.O. Box 80400, Simpsonville, S.C. 29680-0400, USA  
<http://www.bkideas.com>

Made and printed in the U.S.A  
LI0224/0407