



Model(s):

GR-382R

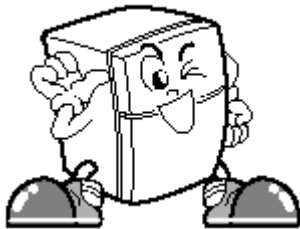
REFRIGERATOR- FREEZER

OWNER'S MANUAL

READ THIS MANUAL THOROUGHLY BEFORE
USING THE APPLIANCE AND KEEP IT HANDY
FOR FURTHER REFERENCE.

CONTENT

INSTALLATION.....	4
FEATURE CHART	5
OPERATION	6
Start up	
Before adjusting the temperature	
Refrigerator controls	
Freezer controls	
Self-diagnosis	
Icemaking	
Door basket cooling	
Fresh meat tray	
Defrost	
Deodorizer	
REVERSIBLE DOOR	8
Cautions	
How to switch doors	
FOOD STORAGE SUGGESTIONS	10
CLEANING	11
GENERAL INFORMATION	11
LAMP REPLACEMENT	12
IMPORTANT WARNINGS	12
BEFORE CALLING FOR SERVICE	13
SPECIFICATIONS	14



THIS REFRIGERATOR IS MANUFACTURED WITH EXTREME CAUTION USING THE LATEST TECHNOLOGY. WE ARE CONFIDENT THAT YOU WILL BE COMPLETELY SATISFIED WITH IT'S PERFORMANCE AND RELIABILITY. BEFORE USING YOUR REFRIGERATOR, PLEASE READ THIS MANUAL COMPLETELY. IT INCLUDES THE EXACT INSTRUCTIONS FOR INSTALLATION, OPERATION AND MAINTENANCE ALONG WITH SOME USEFUL TIPS.

INSTALLATION

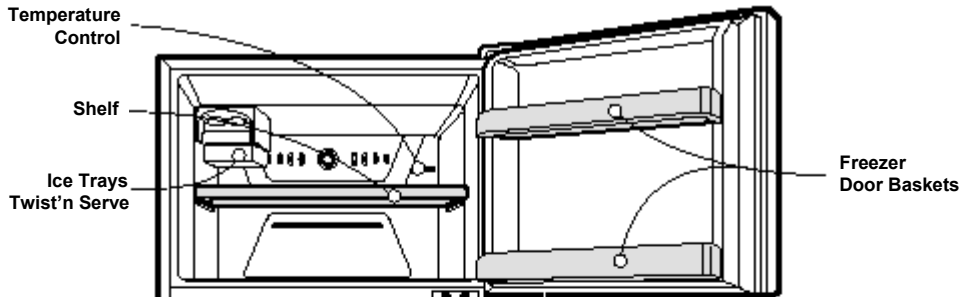
1. Install in an appropriate location.
Place the refrigerator where it is easily accessible.
2. Avoid placing your refrigerator near heat sources, direct sunshine, or areas of high humidity.
3. There must be an appropriate air flow around your refrigerator in order to get a good performance. If your refrigerator is placed close to the walls, it must have a clearance of 10" on top and 2" on both sides.
The refrigerator must have a 1" clearance from the floor, specially if it's carpeted.
4. To avoid problems, the refrigerator should be properly leveled. If necessary, adjust the leveling screws.
The front must be slightly higher than the back so the doors will close properly.
The leveling screws are easier to turn if you lean the refrigerator slightly backwards. Turn the leveling screws clockwise to raise the front of the refrigerator and counterclockwise to lower it.
5. Install the refrigerator in a place where the temperature is between 50° F (10°C) and 104° F (40°C). If the temperature is higher or lower, the cooling performance of the appliance can be diminished.

NEXT

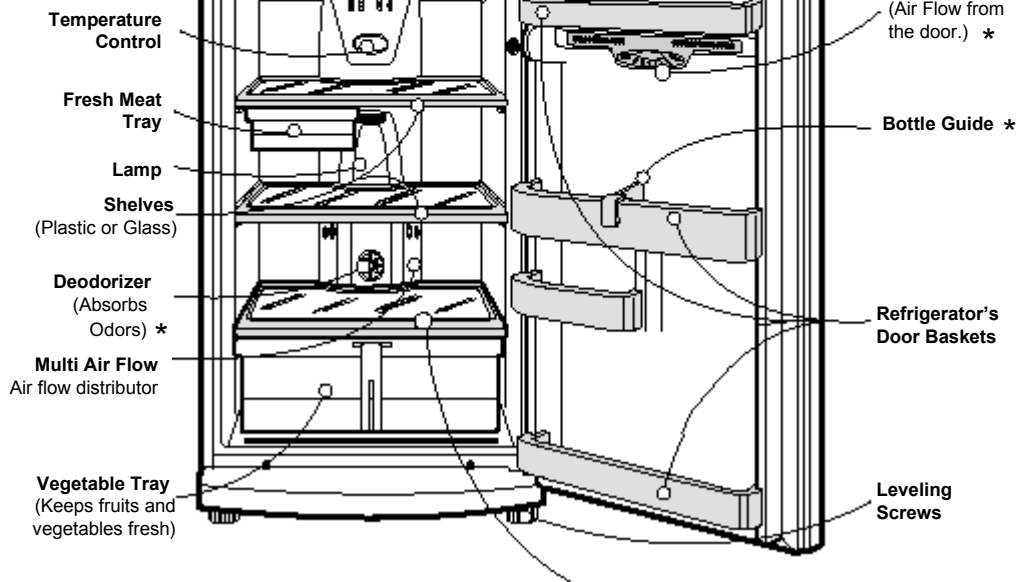
1. Clean your refrigerator and remove dust accumulated during transportation.
 2. Install all accessories, such as ice trays, in the correct places.
They are packed together to prevent damage in transit.
 3. Follow the instructions for handle assembly.
 4. After moving the refrigerator, wait an hour before plugging it in to allow the oil to settle in the compressor.
 5. Connect the power cord to the power outlet.
Do not connect more than one appliance to the same outlet.
If your refrigerator's power cord has 3 terminals, DO NOT remove the ground terminal.
Grounding minimizes the risk of electric shock. This connector requires a 3-terminal power outlet. If the customer does not have the proper outlet, he must contact a qualified electrician to have the proper outlet installed.
5. Before using your refrigerator, let it run for 2 or 3 hours.
Verify the cold air flow at the freezer to ensure proper cooling. Now your refrigerator is ready to use.

FEATURES

FREEZER



REFRIGERATOR



Magic Crisper
(Vegetable Tray cover
that control humidity)

NOTE

* All parts listed may not be included on your model.

MODEL(S): GR-382R

OPERATION

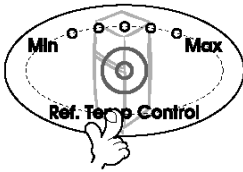
START UP

When your refrigerator is installed or relocated, let it stand for an hour before starting it. Then let it run for 2 or 3 hours to stabilize the internal temperature before filling it with food. If power is interrupted, allow 5 minutes to pass before restarting.

BEFORE CONFIGURING THE TEMPERATURE

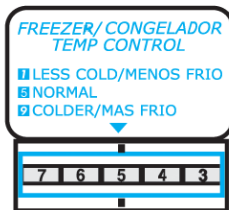
- This refrigerator has a temperature control button for the refrigerator compartment and a selector for the freezer compartment.
- The basic configuration for the refrigerator's temperature control is in the middle; that is, the first three LEDs are turned on.
- The basic configuration of the temperature selector at the freezer compartment is "4".

REFRIGERATOR COMPARTMENT CONTROL



- You can adjust the refrigerator compartment's temperature using the Ref. Temp Control button. Each time you press the button, one LED should illuminate until it reaches **Max**. Continuing to press this button will continue to cycle through all settings from **Min** to **Max** and around again.
- The refrigerator compartment's temperature is indicated by the number of LEDs illuminated, from **Min** to **Max**. **Min** is warmer and **Max** is cooler.
- You can select the desired temperature with this control.
- To conserve energy, set the control to **Min**. (first LED on)

FREEZER COMPARTMENT CONTROL*



- **COLD AIR CONTROL - 1, 2, 3, 4, 5, 6, 7, 8, and 9**
By placing the selector on **9**, the freezer will be colder but the food stored in the refrigerator compartment will cool more slowly because of the diminishing air flow.
- **In cold weather, the compressor's running time is reduced and the freezer compartment tends to be a little warmer.**
To keep the freezer colder, set the TEMP CONTROL between **6** and **9**.
- **If there is much food stored in the freezer or the door is opened frequently, its temperature will be a little bit warmer.**
In this case, set the TEMP. CONTROL between **6** and **9** to make it colder. Set the TEMP. CONTROL to its original position to reduce the energy consumption.
- **In hot weather, or when much food is stored in the refrigerator, it tends to be a little bit warmer.**
- To make it cooler, turn the TEMP. CONTROL between **2** and **4** to direct more air to the refrigerator and place the REF. TEMP. CONTROL at the **MAX** position. If the TEMP. CONTROL is between **6** and **9** at the freezer compartment, the refrigerator will cool very slowly.

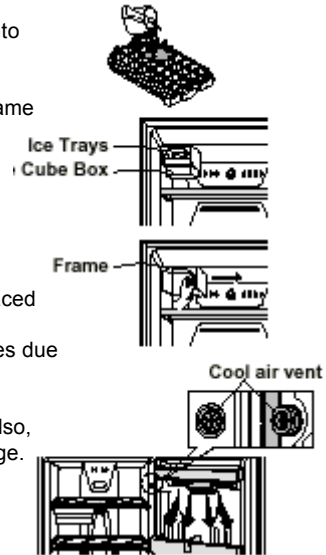
OPERATION

SELF-DIAGNOSIS

- The electronic control system includes a self-diagnostic mode. When an error is detected, it is displayed on the control box LEDs. It is not possible to adjust the controls while an error message is displayed.
- When this happens, do not disconnect the power cord from the outlet and call a service center immediately.

ICE MAKING -TWISTING TYPE-

- To make ice cubes, fill the trays with water and insert them on their position.
- To remove the ice cubes, twist the tray's knob and the cubes will fall into the ice bank instantly.
- You can detach the "Twist'n Serve" to increase the freezer's storage capacity. First take out the ice trays and the cube box, then pull the frame to the right side.



DOOR BASKET COOLING

(Some models)

- The cold air flow from the door makes the cooling of the beverages placed on the door baskets faster and more efficient.
- When new food is placed in the door basket, the cooling time decreases due to the cold air flow in this area.
- When water or other strange object gets into the air flow area when cleaning or any other moment, the cooling performance drops down. Also, performance can be lowered by air leakages due to door gasket damage.



FRESH MEAT TRAY

- When the door is opened, the warm air does not affect the fresh meat located inside the tray. Consequently, food can be kept fresher for longer time.
- The fresh meat tray and shelf must be placed in the correct position. If they are moved, they won't serve their purpose.
- When water or other strange object gets into the air flow area, the cooling performance drops down.

DEFROSTING

- Defrost is carried out automatically.
- The water generated during the defrosting flows down to the drip tray located at the back part of the refrigerator and its evaporated automatically.

REVERSIBLE DOOR SWITCHING

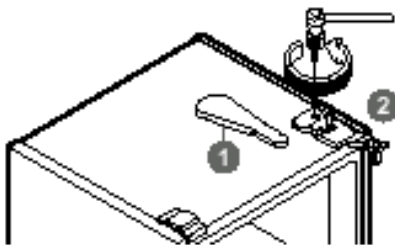
Caution

1. The door can be reversed according to the user's needs or preferences.
2. Before reversing doors, remove all food and accessories placed in the baskets.
3. Use a hexagonal screw driver to loosen the screws.
4. Be very careful when removing the lower hinges' screws, the refrigerator could fall down.
5. Do not lay the refrigerator on its side when switching the doors. This could cause a malfunction or damage.
6. Be careful when switching the doors; they could fall and cause damage or injury.

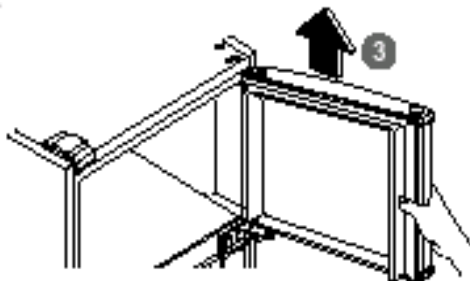
HOW TO REVERSE THE DOOR

(To switch the opening from right side to left side)

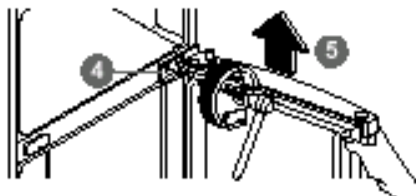
- 1 Remove the upper hinges cover (1) and then remove the screws (2).



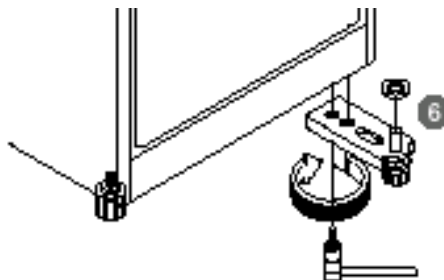
- 2 Remove the freezer door (3)



- 3 Remove the center hinge (4) and then the refrigerator door (5).

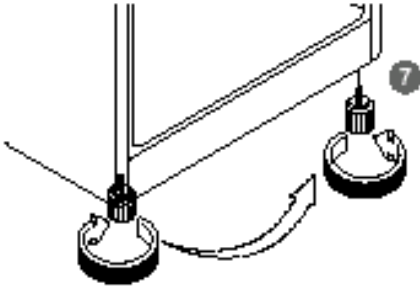


- 4 Remove the lower hinge (6).

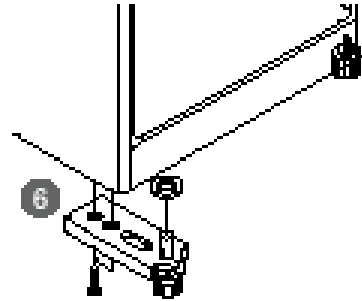


REVERSIBLE DOOR SWITCHING

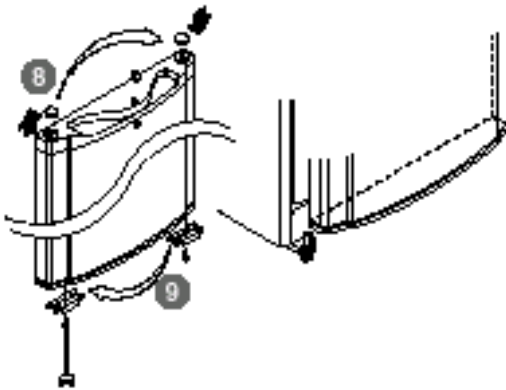
5 Switch the leveling screws.



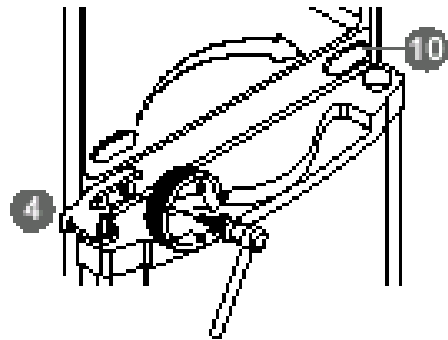
6 Assemble the lower hinge (6)



7 Switch the cap (8) to cover the hole where the hinge is inserted in the door cap decoration.



8 Assemble the central hinge (4) on the other side and switch the hole cover cap (10).



SUGGESTIONS ON FOOD STORAGE

STORING FOOD

- Store fresh food in the refrigerator and the freezer. Defrosting is an important factor in preserving freshness and flavor.
- Do not store food that can decompose under low temperatures such as bananas, melons or pineapple.
- Allow hot food to cool before storing it. Placing hot food in the refrigerator damages other food and increases energy consumption.
- When storing food, wrap it with vinyl film or store it in closed containers. This prevents food moisture from evaporating and keeps food fresh.
- Do not obstruct the cold air outlets with food. The cold air flow keeps the refrigerator temperature even.

- Do not open the door frequently. Opening the door allows hot air into the refrigerator, raising the temperature.
- To adjust the temperature controls easily, keep the area near the controls clear.

FREEZER

- Do not store glass bottles in the freezer - they can break when frozen.
- Do not freeze food that has been already thawed. They may lose their nutritional properties.
- When storing frozen food for a long period, such as ice cream, place it on the shelves and not in the door baskets.

REFRIGERATOR

- Avoid storing high humidity foods at the back of the refrigerator. They could freeze in contact with the cold air. Store in a closed container instead.
- Always clean food before refrigerating it. Fruits and vegetables should be washed and dried. Packaged food should be dried to avoid contaminating adjacent items.
- Store eggs on the highest shelf in the refrigerator.

NOTE

- If the refrigerator is placed in a hot and humid place, it's door is opened frequently, or if many vegetables are stored in it; dew may form on the inside walls of the refrigerator. This does not affect its performance. Just remove the dew with a dustfree cloth.

CLEANING

It is important that your refrigerator is kept clean to avoid unwanted odors. Spilled food must be cleaned immediately because it could stain the plastic surfaces.

Never use metal fibres, brushes, abrasive cleaners or alkaline solutions over any kind of surface.

Before cleaning, remember that wet objects can stick to extremely cold surfaces. Do not touch frozen surfaces with bare, wet hands .

EXTERIOR - Use warm water and a mild detergent solution to clean the surfaces of your refrigerator. Clean it with a damp cloth and dry it.

INTERIOR - A regular cleaning of the interior is recommended. Use a damp cloth in a solution of one (1) teaspoon sodium bicarbonate (baking soda) dissolved in one (1) quart of warm water.

Rinse the surfaces with a damp cloth and dry.

INTERIOR PARTS - Wash the shelves, door baskets, storage trays, magnetic door with a damp cloth in a solution of one (1) teaspoon sodium bicarbonate (baking soda)

dissolved in one (1) quart of warm water. Rinse the surfaces with a damp cloth and dry.

WARNING

Always unplug the power cord from the power outlet before cleaning in the vicinity of electrical parts (lamps, switches, controls, etc.) Wipe out excess moisture with a sponge or cloth to prevent water or liquids to contacting an electric part and cause a short circuit. Do not use flammable or toxic liquid cleaners.

GENERAL INFORMATION

ON VACATIONS

During average length vacations, probably prefer to leave the refrigerator running. Some foods may be frozen for extended storage.

If you plan to be away for an extended period, remove remove the food, disconnect the power cord, clean the interior (as described above,) and block the door open to prevent odors.

POWER FAILURE

Most power failures are fixed within one or two hours and won't affect your refrigerator's temperatures. However, you should minimize the door openings while the power is out.

During long term power breakdowns place an EPS bar over your stored food, this will help to keep them fresh for longer time.

IF YOU MOVE

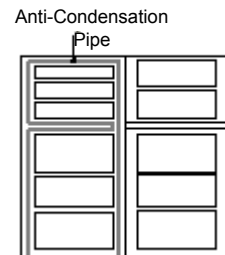
Remove or fix all loose articles inside the refrigerator.

To avoid damaging the leveling screws, turn them until they reach the base.

ANTI-CONDENSATION PIPE

The outside of the refrigerator may become hot, especially immediately after installation and start-up. This is normal.

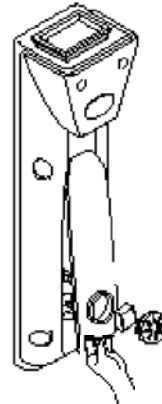
It is caused by the anti-condensation pipe which pumps hot refrigerant to prevent condensation on the outer cabinet.



LAMP REPLACEMENT

REFRIGERATOR LAMP

1. Unplug the refrigerator's power cord.
2. Remove the refrigerator compartment's shelves and the vegetable tray cover.
3. To remove the lamp cover, pull the lower part with your hand or a tool.
4. Twist the light bulb counterclockwise.
5. Assembly on the opposite way as disassembly.
The replacement light bulb must be the same specification of the original. (125V, 20W). Part No. 6912JB2002J



IMPORTANT WARNINGS

DO NOT USE AN EXTENSION CORD

Do not connect any other appliance in the same plug of the refrigerator, if many appliances are connected the wires might be overloaded, increasing the risk of voltage variation and improper operation.

POWER CORD REPLACEMENT

If the power cord gets damaged, you must replace it for a new one available with the manufacturer or its service agent.

ABOUT GROUNDING (EARTHING)

In the event of a short circuit, the ground connection reduces the risk of electric shock while providing an escape line for electric current.

Prevent a possible electric shock, this appliance must be grounded.

The wrong use of the plug's earth terminal can result in an electric shock. Consult a qualified electrician or service person if the grounding instructions are not fully understood, or if you have any doubts about if your appliance is properly grounded.

DANGER RISK OF CHILD ENTRAPMENT

An empty refrigerator can be a very dangerous attraction for children. Before you throw away your old refrigerator or freezer, please take off the doors and leave the shelves in place so that children may not easily climb inside.

Please do not let the area near the door switch get dirty by sweet food or candy, as ants could interrupt the normal operation of this switch.

**This appliance must be grounded
DON'T WAIT! DO IT NOW!**

**NEVER STORE EXPLOSIVE
OR CHEMICAL SUBSTANCES IN
YOUR REFRIGERATOR.**

BEFORE CALLING FOR SERVICE

SERVICE CALLS CAN OFTEN BE AVOIDED!

IF YOU THINK YOUR REFRIGERATOR IS NOT WORKING PROPERLY, FIRST VERIFY THESE POSSIBLE CAUSES:

PROBLEM	POSSIBLE CAUSES
REFRIGERATOR IS NOT WORKING	<ul style="list-style-type: none"> • Did a fuse blow or a circuit breaker trip? • Is the power cord loose in the connector or unplugged? • Check your electric plug for damage. Connect another appliance or lamp to make sure the outlet works. • Make sure your circuit is not overloaded. The refrigerator should be on its own circuit. Unplug other appliances that are overloading the circuit and causing voltage drop or other electrical problems.
THE TEMPERATURE IN THE REFRIGERATOR COMPARTMENT OR FREEZER COMPARTMENT IS TOO HOT.	<ul style="list-style-type: none"> • The temperature control is not in the right position. • The appliance is located near the wall or a heat source (stove, sun rays, etc.) • Hot weather - Frequent door openings. • The door is not completely closed. Check to ensure there is no damage to the gasket or some item blocking the door. • The door is left open for long time. • Large food amounts are stored in the refrigerator.
ABNORMAL NOISE (S)	<ul style="list-style-type: none"> • The refrigerator is placed over an uneven or weak surface, or the leveling screws need to be adjusted. • Unnecessary objects are placed on the back side of the refrigerator. • If a voltage drop occurs check if the bulbs' light is low, if so, call your electricity company to get the failure fixed.
THE REFRIGERATOR KEEPS BAD ODORS	<ul style="list-style-type: none"> • Fragrant food must be stored in closed containers or wrapped. • The interior needs to be cleaned. • Check that the deodorizer is clean and if needed, expose it to the sun for a couple hours to re-charge it.
DEW FORMS ON THE CABINET SURFACE.	<p>It is normal when the humidity is high. The door may have been left ajar.</p>
COMPRESSOR OPERATES CONTINUOUSLY FOR LONG TIME	<ul style="list-style-type: none"> • Temperature controls are set to the Maximum, please set them to Medium. • Check that doors are closed properly. • Hot food is stored. • Doors are left open for long periods of time. • The refrigerator is too close to a heat source or sun rays.

SPECIFICATIONS

TECHNICAL SPECIFICATIONS					
MODEL(S)	POWER SUPPLY	OPERATING FREQUENCY	NOMINAL CURRENT	NOMINAL CONSUMPTION	DEFROST POWER CONSUMPTION
GR-382R	115V	60Hz	1,8A	140W	196W

CAPACITY: 331.13 Liters (11.8 cuft)

**LG ELECTRONICS CANADA INC.
LG REFRIGERATOR**

LG Electronics will repair or at its option replace, without charge, your product which proves to be defective in material or workmanship under normal use, during the warranty period listed below from the date of original purchase. **This warranty is good only to the original purchaser of the product during the warranty period as long as it is in any Canadian Province.**

WARRANTY PERIOD

<u>MODEL #</u>	<u>LABOR</u>	<u>PARTS</u>	<u>HOW SERVICE IS HANDLED</u>
GR-382R	2 Year	2 Year	Call 1-888-542-2623 (1-888-LG-CANADA) and choose the appropriate prompt. Please have product type (refrigerator) and ZIP Code ready.
<u>Serial Number</u>		<u>SEALED SYSTEM</u>	See our website at http://www.lg.ca
		5 Years (Compressor, condenser, and evaporator)	This warranty provides in-home service.

No other express warranty is applicable to this product. **THE DURATION OF ANY IMPLIED WARRANTIES, INCLUDING THE IMPLIED WARRANTY OF MERCHANTABILITY, IS LIMITED TO THE DURATION OF THE EXPRESS WARRANTY HEREIN. LG ELECTRONICS USA, INC. SHALL NOT BE LIABLE FOR THE LOSS OF THE USE OF THE PRODUCT, INCONVENIENCE, LOSS OR ANY OTHER DAMAGES, DIRECT OR CONSEQUENTIAL, ARISING OUT OF THE USE OF, OR INABILITY TO USE, THIS PRODUCT OR FOR ANY BREACH OF ANY EXPRESS OR IMPLIED WARRANTY, INCLUDING THE IMPLIED WARRANTY OF MERCHANTABILITY APPLICABLE TO THIS PRODUCT.**

Some provinces do not allow the exclusion or limitation of incidental or consequential damages or limitations on how long an implied warranty lasts; so these limitations or exclusions may not apply to you. This warranty gives you specific legal rights and you may also have other rights which vary from province to province.

THE ABOVE WARRANTY DOES NOT APPLY TO:

1. Service trips to your home to deliver and pickup, install, instruct, or replace house fuses or correct wiring, plumbing, or correction of unauthorized repairs.
2. Damage to the product caused by accident, vermin, fire, flood, alteration, misuse, abuse, improper installation, or acts of God.
3. Commercial use or use for other than the intended purpose.

Therefore, these costs are the responsibility of the consumer.

CUSTOMER ASSISTANCE NUMBERS:

To Prove Warranty Coverage:	→	Retain your Sales Receipt to prove date of purchase. A copy of your Sales Receipt must be submitted at the time warranty service is provided.
To Obtain Product, Customer, or Service Assistance by phone:	→	Call 1-888-542-2623 (1-888-LG-CANADA) and choose the appropriate prompt.
or by Internet:	→	http://www.lg.ca
To Obtain Nearest Authorized Service Center, Parts Distributor, or Sales Dealer by phone:	→	Call 1-888-542-2623 (1-888-LG-CANADA) and choose the appropriate prompt. Please have your product type (refrigerator) and ZIP Code ready.
or by Internet:	→	http://www.lg.ca