

Instructions



Important Safety Instructions.

Read all warnings and instructions in this manual. Save these instructions.

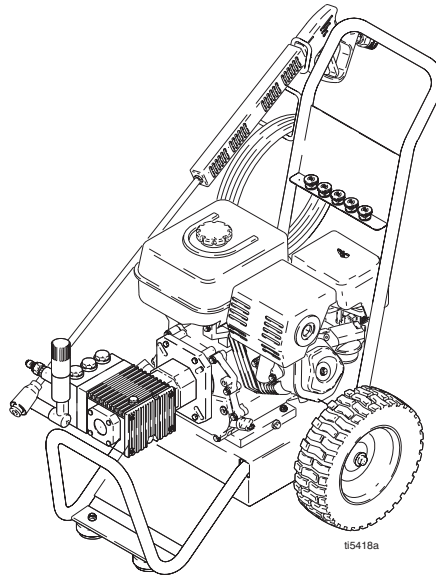
Direct Drive Pressure Washer

309286K

- For high pressure water cleaning -

Models:

Model	Horse Power and Motor Brand	Operating Pressure			Maximum Working Pressure		
		PSI	MPa	bar	PSI	MPa	bar
2730B	6.5 hp Briggs & Stratton	2700	18.6	186	3000	20.6	206
2730H	6.5 hp Honda	2700	18.6	186	3000	20.6	206
3030	9 hp Honda	3000	20.6	206	3300	22.75	227.5
3340	11 hp Honda	3300	22.75	227.5	3600	24.0	248
3540	13 hp Honda	3500	24.1	241	3800	26.2	262








PROVEN QUALITY. LEADING TECHNOLOGY.

Graco Inc. P.O. Box 1441 Minneapolis, MN 55440-1441
Copyright 2004, Graco Inc. is registered to I.S. EN ISO 9001



Warnings

 WARNING	
	<p>FIRE AND EXPLOSION HAZARD</p> <p>Flammable fumes, such as solvent and paint fumes, in work area can ignite or explode. To help prevent fire and explosion:</p> <ul style="list-style-type: none"> • Use equipment only in well ventilated area. • Do not fill fuel tank while engine is running or hot; shut off engine and let it cool. Fuel is flammable and can ignite or explode if spilled on hot surface. • Eliminate all ignition sources; such as pilot lights, cigarettes, portable electric lamps, and plastic drop cloths (potential static arc). • Keep work area free of debris, including solvent, rags and gasoline. • Do not plug or unplug power cords, or turn power or light switches on or off when flammable fumes are present. • Ground equipment and conductive objects in work area. See Grounding instructions. • Use only grounded hoses. • Hold gun firmly to side of grounded pail when triggering into pail. • If there is static sparking or you feel a shock, stop operation immediately. Do not use equipment until you identify and correct the problem. • Keep a fire extinguisher in the work area.
	<p>INJECTION HAZARD</p> <p>High-pressure fluid from gun, hose leaks, or ruptured components will pierce skin. This may look like just a cut, but it is a serious injury that can result in amputation. Get immediate surgical treatment.</p> <ul style="list-style-type: none"> • Do not point gun at anyone or at any part of the body. • Do not put your hand over the end of the spray tip. • Do not stop or deflect leaks with your hand, body, glove, or rag. • Follow Pressure Relief Procedure in this manual, when you stop spraying and before cleaning, checking, or servicing equipment.
	<p>EQUIPMENT MISUSE HAZARD</p> <p>Misuse can cause death or serious injury.</p> <ul style="list-style-type: none"> • Do not exceed the maximum working pressure or temperature rating of the lowest rated system component. See Technical Data in all equipment manuals. • Use fluids and solvents that are compatible with equipment wetted parts. See Technical Data in all equipment manuals. Read fluid and solvent manufacturer's warnings. • Check equipment daily. Repair or replace worn or damaged parts immediately. • Do not alter or modify equipment. • Use equipment only for its intended purpose. Call your Graco distributor for information. • Route hoses and cables away from traffic areas, sharp edges, moving parts, and hot surfaces. • Do not use hoses to pull equipment. • Keep children and animals away from work area. • Comply with all applicable safety regulations.
	<p>CARBON MONOXIDE HAZARD</p> <p>Exhaust contains poisonous carbon monoxide, which is colorless and odorless. Breathing carbon monoxide can cause death. Do not operate in an enclosed area.</p>

**WARNING****TOXIC FLUID OR FUMES HAZARD**

Toxic fluids or fumes can cause serious injury or death if splashed in the eyes or on skin, inhaled, or swallowed.

- Read MSDS's to know the specific hazards of the fluids you are using.
- Store hazardous fluid in approved containers, and dispose of it according to applicable guidelines.

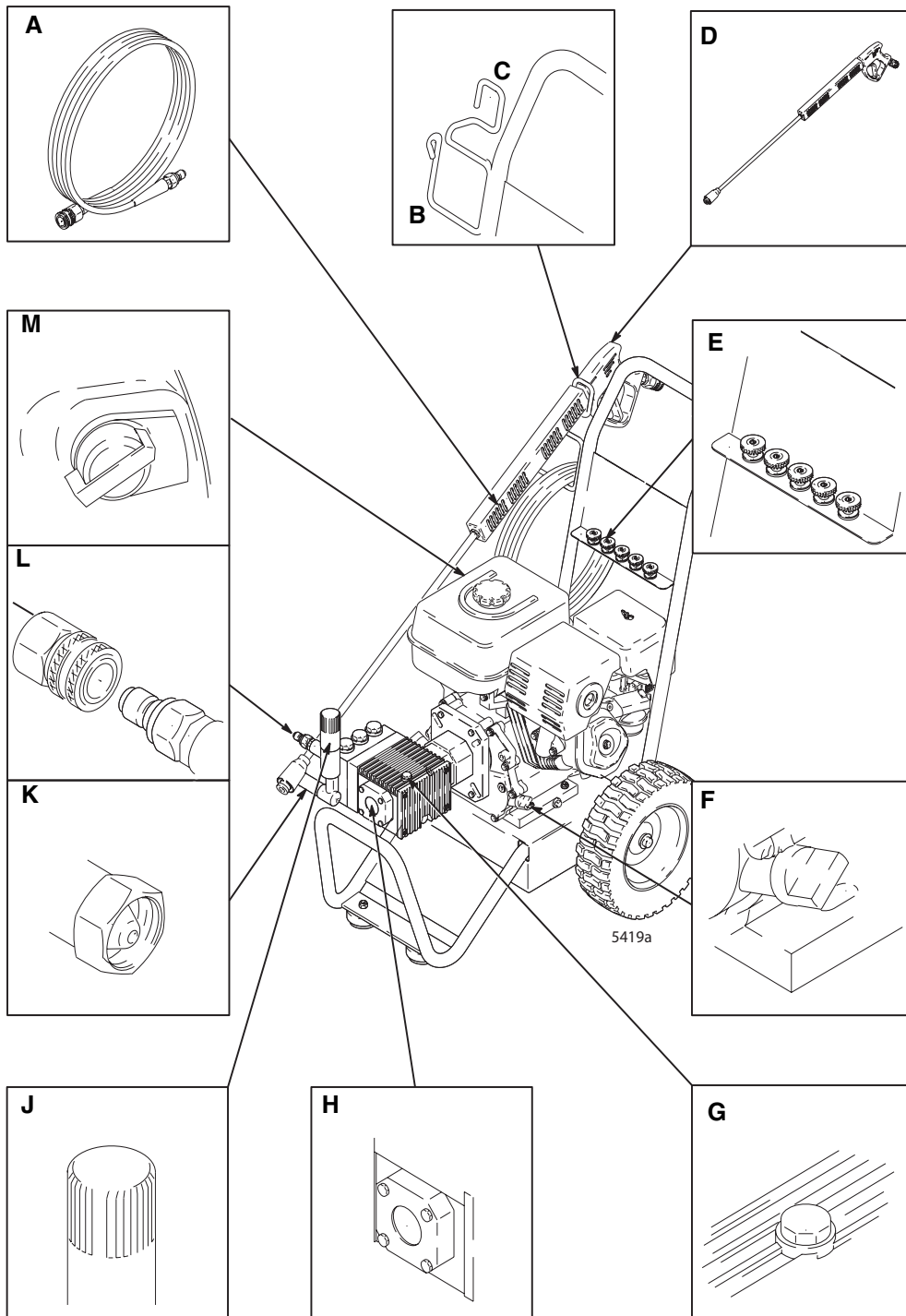
**PERSONAL PROTECTIVE EQUIPMENT**

You must wear appropriate protective equipment when operating, servicing, or when in the operating area of the equipment to help protect you from serious injury, including eye injury, inhalation of toxic fumes, burns, and hearing loss. This equipment includes but is not limited to:



- Protective eyewear
- Clothing and respirator as recommended by the fluid and solvent manufacturer
- Gloves
- Hearing protection

Component Identification



Key:

- | | | | |
|---|---------------------|---|-----------------------------------|
| A | Hose | H | Oil Level Site Gage |
| B | Hose Rack | J | Pressure Unloader Adjustment Knob |
| C | Gun Holder | K | Garden Hose Connection |
| D | Gun and Wand | L | High Pressure Hose Connection |
| E | Tip Storage | M | Engine ON/OFF Switch |
| F | Engine Oil Fill | | |
| G | Water Pump Oil Fill | | |

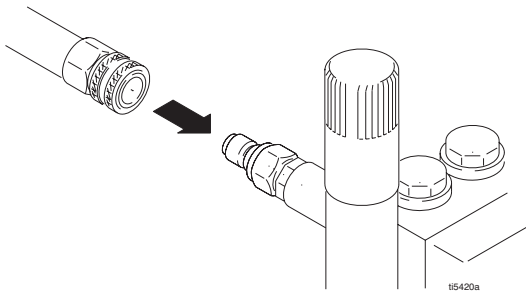
Setup

Shipping Damage

Check pressure washer for shipping damage. **Notify the carrier immediately** if there is any damage.

Connecting High-Pressure Hose and Gun

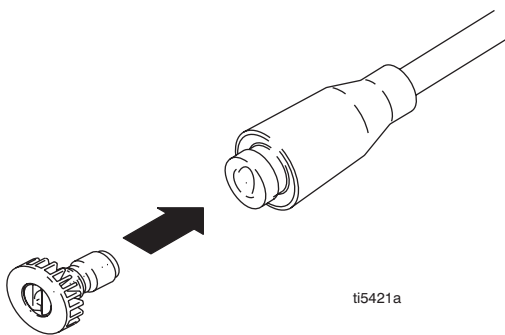
Connect high-pressure hose between pump outlet and gun inlet. Both of these connections are made with quick couplers.



Up to 100 ft (30 m) of 3/8 in. high-pressure hose may be used. Longer hoses could affect pressure washer and chemical injector performance balance.

Installing Spray Tip

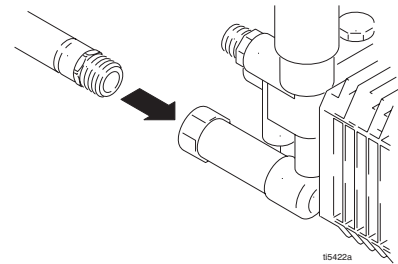
Install spray tip on wand. (Installing and Changing Spray Tips, page.) If you are using a Sandblasting Kit, see its separate manual for installation instructions.



Connect to Water Supply

Connect hose from water supply to the garden hose inlet on the pressure washer.

- The supply hose should not be longer than 50 ft (15 m) in length.
- Inside diameter of hose should measure at least a 3/4 in. (19 mm).



CAUTION

- Before you connect garden hose to pressure washer, check your local plumbing code regarding cross-connection to the water supply. If required, install a backflow preventer.
- If the inlet water pressure is over 60 psi (4.1 bar, 41 MPa), a regulating water valve must be installed at the garden hose connection.
- Do not exceed 160° F (70° C) inlet water temperature.

The water source must have a minimum flow rate equal to that of the pressure washer.

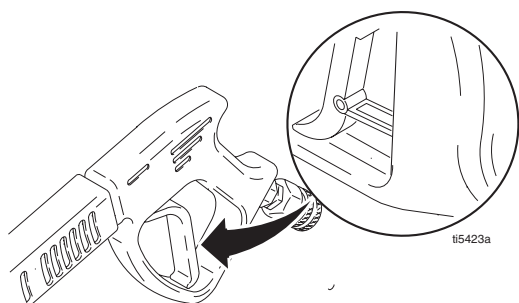
Operation

Pressure Relief Procedure

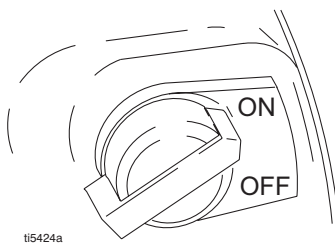
Follow this procedure when you stop spraying and before cleaning, checking, servicing or transporting equipment.



1. Engage trigger lock.

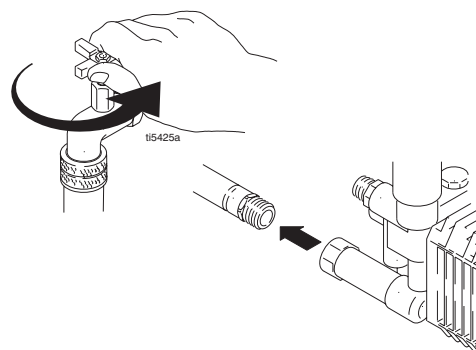


2. Turn pressure washer OFF.




3. Remove ignition cap from spark plug.

4. Turn off water supply and disconnect pressure washer from water.



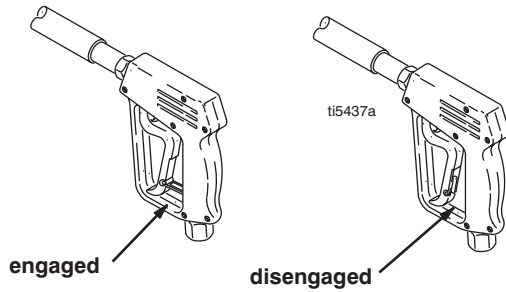
5. Unlock trigger lock. Trigger gun to relieve pressure. Engage trigger lock.



 If you suspect the spray tip or hose is clogged or that pressure has not been fully relieved after following the pressure relief procedure, **VERY SLOWLY** loosen tip guard retaining nut or hose end coupling to relieve pressure gradually, then loosen completely. Clear hose or tip obstruction.

Startup

- Always engage the gun trigger safety latch when you stop spraying. This reduces the risk of fluid injection or splashing in eyes or on skin if the gun is bumped or triggered accidentally. Be sure latch is pushed fully down or it will not prevent the gun from being triggered.



- When using a sandblasting kit, refer the sandblaster kit instruction manual for detailed operating and cleaning information.

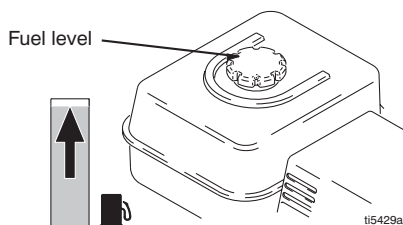
1. Check oil level of engine and pump.



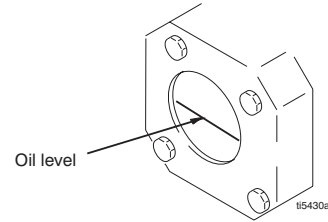
- All Honda engine-powered pressure washers are equipped with an engine low-oil sensor that shuts the engine off when the oil level falls below a certain level.
- If the engine stops unexpectedly, check the oil and fuel levels.
- Check the oil level each time you add fuel.



2. Check fuel level.

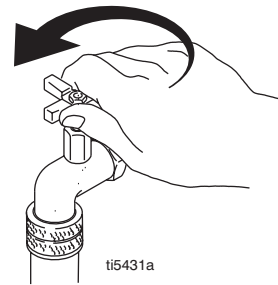


3. Check oil level in pump. It should be half way up the sight glass, located on the front of the pump. Add pump oil as necessary. The system is equipped with a thermal overload to help prevent severe damage.



After the first 50 hours of operation, drain and refill pump oil.

4. Turn on water supply.



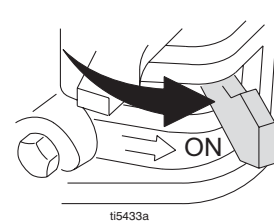
CAUTION

Always be sure the water supply is completely turned on before you run the pressure washer. Never run pressure washer without water. Costly pump damage will result.

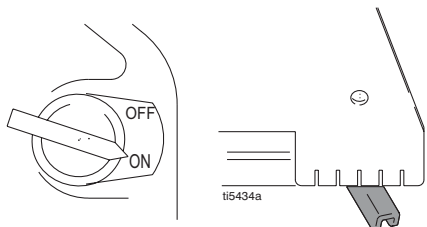
5. Trigger gun until a constant stream of water sprays from the tip, indicating air is purged from the system.



6. Open fuel shutoff valve. Be sure spark plug ignition cable is pushed firmly on the spark plug.



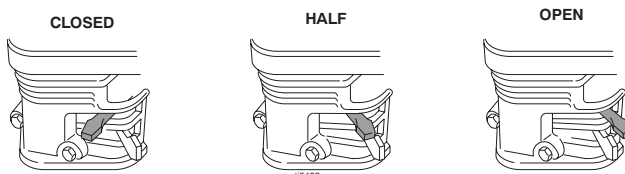
7. Move switch to ON position and set throttle to HALF throttle position.



- For easier starting, have one person start pressure washer while another triggers gun.
- **If engine is cold**, before starting engine, close choke completely. In cool weather you might have to run engine for the first 10-30 seconds with the choke closed. In warm weather, open choke completely as soon as engine starts.
- **If engine is warm**, start engine with choke completely open or only partially closed. When engine starts, open choke completely.

CAUTION

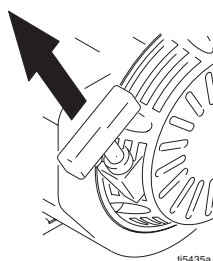
- Do not allow pressure washer to idle for more than 10 minutes. This causes the recirculating water to overheat and can seriously damage the pump.
- Turn off pressure washer if it will not be spraying at least every 10 minutes. If heated inlet water is used, reduce this time more.
- Do not operate pressure washer with inlet water screen removed. This screen help keep abrasive sediment out of pump. This sediment could clog pump or damage cylinders. Keep screen clean.
- Do not pump caustic materials which could corrode pump components.



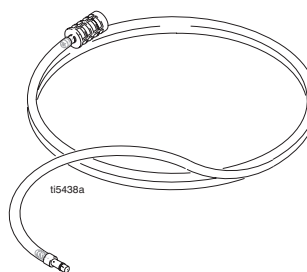
Chemical Injector Operation




8. Trigger gun to produce a constant stream of water and, at the same time, pull starter rope quickly to start the engine. Pull and return rope until the engine starts. HINT: Placing one foot on the pressure washer as a brace provides better leverage.

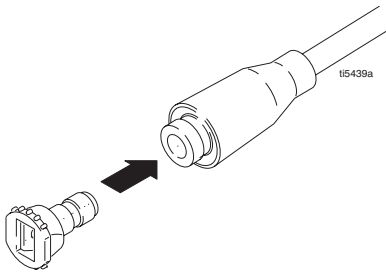


1. Follow **Pressure Relief Procedure** (page 6).
2. Insert chemical filter (attached with clear tubing to chemical injector) into the chemical container. Insert brass coupler into chemical injector.



3. Install black (large orifice) chemical tip (Installing and Changing Spray Tips, page 9).

 The large orifice of the chemical tip causes a drop in pressure that actuates the chemical injector. Changing back to a small orifice spray tip, deactivates the chemical injector and produces high pressure for rinsing. The chemical filter can be left in the chemical container during high pressure spraying. To regulate the flow rate of the chemical, turn the chemical adjustment knob on the injector.



Installing and Changing Spray Tips

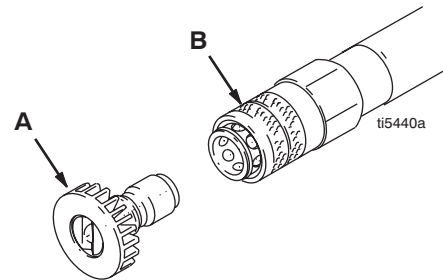
Spray tips have 4- or 5-digit numbers on them. The first two digits are the spray angle.

Spray Tip No.	Spray Pattern Fan Angle
00XXX	0° blaster (red)
15XXX	15° (yellow)
25XXX	25° (green)
40XXX	40° (white)
Chemical*	XX° (black)

* The chemical injector tip is brass and has a larger opening and a black plastic cap.



1. Follow **Pressure Relief Procedure**, page 6.
2. Lock trigger safety.
3. Without holding your hand over the spray tip (A), pull back the quick coupler ring (B). Remove the current tip. Install a different tip. Push quick coupler ring back into place.



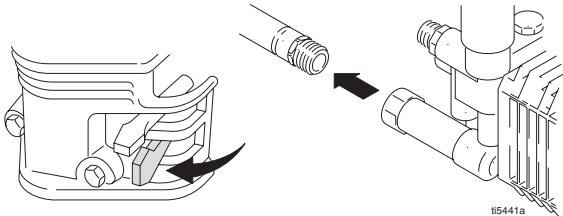
CAUTION

To avoid the high pressure blowing the o-ring out of the quick coupler, never operate the pressure washer without a tip securely mounted in the quick coupler.

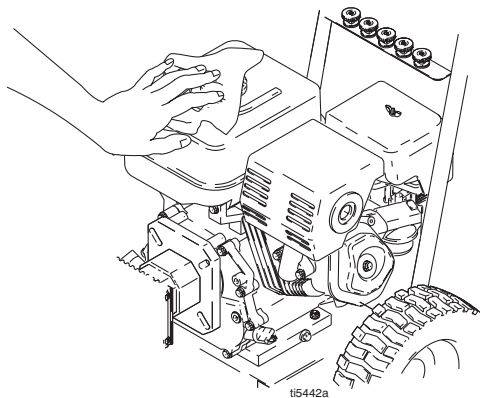
Shutdown, Flushing and Storage

Short-term Storage (less than 30 days)

- Before you store the pressure washer overnight or transport it, disconnect the water supply and CLOSE the fuel supply valve.



- After each use, wipe all pressure washer surfaces with a clean, damp cloth.



Long-term (more than 30 days)/Winter Storage

- Do not store unit outside where it can be exposed to rain, dirt or adverse weather conditions.
- Do not expose pressure washer to freezing temperatures or allow water to freeze in pressure washer components which could cause the pump to lock-up. If this happens, allow the pump to thaw naturally in a WARM ENVIRONMENT. Do not attempt to speed up this process by pouring warm water on the pump. This could cause additional damage to the pump.

ENGINE:

1. Run engine until gas is gone or stabilize fuel and run it through fuel system and carburetor.
2. Drain water out of pressure washer hose.
3. Turn fuel system of OFF position.

PUMP:

1. Place an antifreeze solution approximately 1 foot off the ground. Attach one end of a 4- or 5-foot section of hose to pump inlet and other end in the antifreeze solution.
2. Pull starter rope on engine until antifreeze comes out of pump outlet.

STORAGE LOCATION

Store pressure washer in garage, basement, or in an area where it is protected from freezing temperatures.

Maintenance Chart



Follow **Pressure Relief Procedure**, page 6.

Interval	What to do
Daily	<ul style="list-style-type: none"> • Clean water inlet screen and filter. • Check engine and pump oil levels. Fill as necessary. • Check gasoline level. Fill as necessary.
After first 5 hours of operation	Change engine break-in oil. Drain oil when warm. Use SAE 30 or 10W-30 detergent oil.
After every 25 hours of operation	Clean and remove air cleaner foam. Wash with water and detergent. Dry thoroughly. Rub with oil and squeeze to distribute oil.
After first 50 hours of operation	Change pump break-in oil. Use approved SAE 20/30 pump oil.
After every 100 hours of operation or every 3 months	<ul style="list-style-type: none"> • Clean or replace paper air cleaner cartridge. Tap gently to remove dirt. • Change engine oil. Use SAE 30 or 10W-30 detergent oil.
After every 500 hours of operation or every 6 months	Change pump oil. Use approved SAE 20/30 pump oil.

Troubleshooting

T

Problem	Cause	Solution
Engine will not start or it is hard to start	No gasoline in fuel tank or carburetor	Fill tank with gasoline, open fuel shut-off valve. Check fuel line and carburetor.
	Low oil	Add oil to proper level.
	Engine ON/OFF switch in OFF position	Turn switch to ON position.
	Water in fuel or old fuel	Drain fuel tank and carburetor. Use new fuel and make sure spark plug is dry.
	Engine flooded or improperly choked	Open choke. Pull engine starter rope several times to clear out fuel. Make sure spark plug is dry.
	Dirty air cleaner filter	Remove and clean filter.
	Spark plug dirty, wrong gap or wrong type	Clean, adjust gap or replace spark plug.
	Gun not triggered	Trigger gun while starting engine.
	6.5 hp Briggs and Stratton model may experience "vapor lock" due to gas type and temperature	Allow unit to cool approximately 15 minutes and restart.
Engine misses or lacks power	Partially plugged air cleaner filter	Remove and clean.
	Valve adjustment (lash) worn	Adjust valve (lash) to manufacturer's specifications.
	Spark plug dirty, wrong gap or wrong type	Clean, adjust gap or replace spark plug.
Pressure is too low and/or pump runs roughly	Worn or wrong size tip	Replace with tip of proper size.
	Inlet filter clogged	Clean. Check more frequently.
	Worn packings, abrasives in water or natural wear	Check filter. Replace packing.
	Inadequate water supply	Check water flow rate to pump.
	Fouled or dirty inlet or discharge valves	Clean inlet and discharge valve assemblies. Check filter.
	Restricted inlet	Garden hose might be collapsed or kinked. Check hose and straighten to remove kinks.
	Worn inlet or discharge valves	Replace worn valves.
Leaking high-pressure hose	Replace high-pressure hose.	
Water leaks from under pump manifold	Worn packings	Install new packings.
Water on oil side of pump	Humid air condensing inside crankcase	Change oil as specified in Maintenance Chart, page 11.
	Worn packings	Install new packings.
	Oil seals leaking	Install new oil seals.

Problem	Cause	Solution
Packings are failing frequently or prematurely	Scored, damaged, or worn plungers	Install new plungers.
	Abrasive material in fluid being pumped	Install proper filtration on pump inlet plumbing.
	Inlet water temperature too high	Check water temperatures. It should not exceed 160°F (70°C).
	Pump running too long without spraying	Never run pump more than 10 minutes without spraying.
	Running pump dry	Do not run pump without water.
Strong surging at inlet and low pressure on discharge side	Foreign particles in inlet or discharge valve or worn inlet and/or discharge valves	Clean or replace valves.

Pump Service: 2730B/2730H Model Pressure Washers

Repair kits are available. See the Parts List, page 18 (2730B) or page 20 (2830H). For the best results, use all parts in kits.



- The following metric wrenches are needed: 5mm, 13mm, and 22mm.
- Drain and refill pump after 50 hours of operation.

Follow **Pressure Relief Procedure**, page 6.

Valves

For a set of six valves, order Valve Assembly Kit 804402.

1. Remove hex plug from the manifold using a 22mm wrench.
2. Examine o-ring located under hex plug. Replace if cut or distorted.
3. Remove valve assembly from cavity. The assembly may come apart!
4. Install new valve, o-ring and hex plug. Torque to 33 ft-lb (45 N♦m).

Retorque the plug after 5 hours operation.

Pumping Section

1. Remove capscrews and lock washers from manifold using a 5mm wrench.
2. Carefully separate manifold from the crankcase. You may have to lightly tap the manifold with a soft mallet to loosen it.

CAUTION

To avoid damage to plunger or seals, keep manifold properly aligned with the ceramic plungers when you remove it.

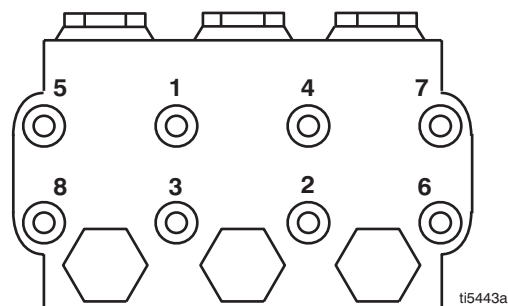
3. Carefully examine each plunger for any scoring or cracking. Replace as necessary.

Servicing Plungers

1. Loosen plunger retaining nut five or six turns using a 13mm wrench. Push plunger toward the crankcase to separate plunger and retaining screw.
2. Remove nut from plunger and examine and clean o-ring, backup ring, and copper bearing/gasket washer.
3. Remove plunger and flinger from plunger shaft. Clean parts as necessary.
4. Inspect plunger shaft for oil leaks from crankcase. If leaking is obvious, replace oil seals. Otherwise, DO NOT remove these seals because they cannot be reused. Oil Seal Kits are available for replacing seals.
5. Lightly grease the flinger (and oil seal if it is being replaced) on plunger shaft. Then install plunger.
6. Lightly grease the retaining screw and outer end of the plunger. Place washer, o-ring and backup ring around screw and install nut through plunger. Torque to 11 ft-lb (15 N♦m).

If replacing packings, see Servicing V-Packings, page 15.

7. Lubricate outside of each plunger. Slide the manifold on the crankcase, being careful not to damage seals.
8. Install capscrews and washers finger tight. Torque screws to 8.8 ft-lb (12 N♦m) following the tightening pattern in the following figure.





Uneven tightening could cause the manifold to bind or jam.

Servicing V-Packings

1. Remove manifold as described in Pumping Section, page 14.
2. Carefully pull packing retainer from manifold. Examine o-ring. Replace o-ring if cut or damaged.
3. Remove V-packing and head ring. Pull out retainer ring. Remove second V-packing and second head ring.
4. Inspect all parts and replace as necessary.
5. Thoroughly clean packing cavities and inspect for damage.

6. Lightly grease packing cavities. Replace packings in the following order:

- head ring
- v-packing
- intermediate ring
- head ring
- v-packing
- packing retainer
- o-ring in retainer groove



Packings must be installed in the proper order and facing the correct direction. Improperly installed parts will cause the pump to malfunction.

7. Reassemble manifold following procedure described in Servicing Plungers, page 14.

Pump Service: 3030, 3340, and 3540 Model Pressure Washers

Repair kits are available. See the Parts List, page 22. For the best results, use all parts in kits.



Follow **Pressure Relief Procedure**, page 6.



- The following metric wrenches are needed: 6mm, 13mm, and 27mm.
- Drain and refill pump after 50 hours of operation.

Valves

For a set of six valves, order Valve Assembly Kit 804402.

- Remove hex plug from the manifold using a 27mm wrench.
- Examine o-ring located under hex plug. Replace if cut or distorted.
- Remove valve assembly from cavity. The assembly may come apart!
- Install new valve, o-ring and hex plug. Torque to 73 ft-lb (99 N◆m).



Retorque the plug after 5 hours operation.

Pumping Section

- Remove capscrews and lock washers from manifold using a 6mm wrench.
- Carefully separate manifold from the crankcase. You may have to lightly tap the manifold with a soft mallet to loosen it.

CAUTION

To avoid damage to plunger or seals, keep manifold properly aligned with the ceramic plungers when you remove it.

- Carefully examine each plunger for any scoring or cracking. Replace as necessary.

Servicing Plungers

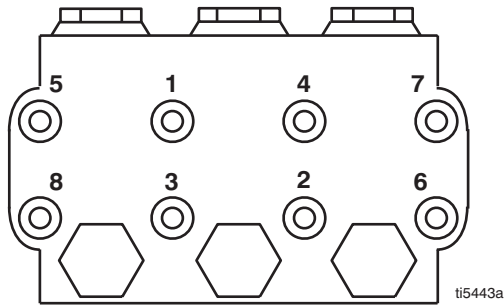
Plunger Repair Kit 243430 is available to replace retainers, o-rings, washers, and backup rings for three cylinders.


- Loosen plunger retaining nut five or six turns using a 13mm wrench. Push plunger toward the crankcase to separate plunger and retaining screw.
- Remove nut from plunger and examine and clean o-ring, backup ring, and copper bearing/gasket washer. Replace these parts if necessary using Plunger Repair Kit 243430.
- Remove plunger and flinger from plunger shaft. Clean parts as necessary.
- Inspect plunger shaft for oil leaks from crankcase. If leaking is obvious, replace oil seals. Otherwise, DO NOT remove these seals because they cannot be reused. Oil Seal Kits are available for replacing seals.
- Lightly grease the flinger (and oil seal if it is being replaced) on plunger shaft. Then install plunger.
- Lightly grease the retaining screw and outer end of the plunger. Place washer, o-ring and backup ring around screw and install nut through plunger. Torque to 14.4 ft-lb (19.5 N◆m).
- Lubricate outside of each plunger. Slide the manifold on the crankcase, being careful not to damage seals.



If replacing packings, see Servicing V-Packings, page 17.

- Install capscrews and washers finger tight. Torque screws to 8.8 ft-lb (12 N♦m) following the tightening pattern in the following figure.




 Uneven tightening could cause the manifold to bind or jam.

Servicing V-Packings

Two packing kits are available: one kit contains packings only. The other includes packings, rings and retainers.

- Remove manifold as described in Pumping Section, page 16.
- Carefully pull packing retainer from manifold. Examine o-ring. Replace o-ring if cut or damaged.

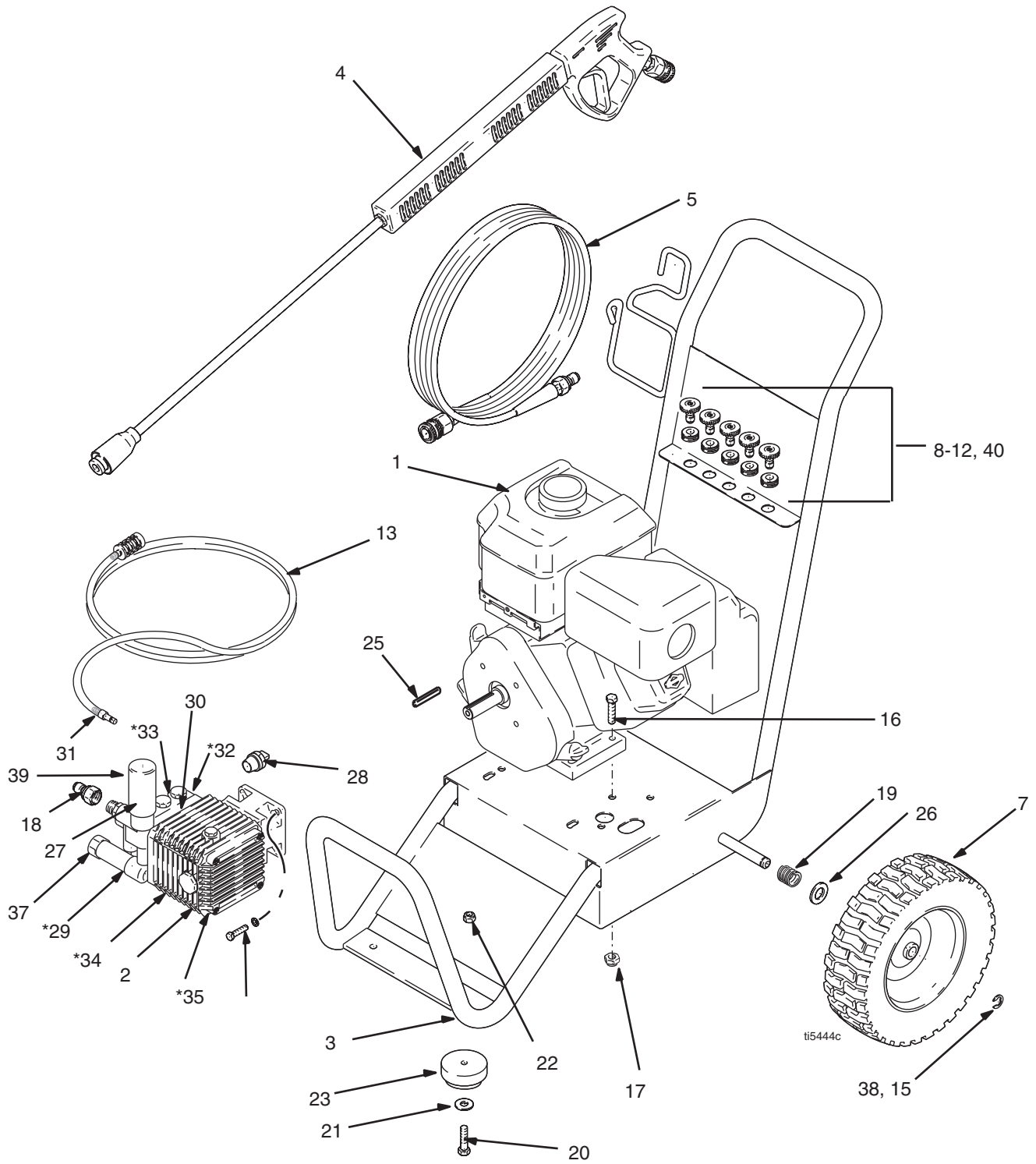
- Remove V-packing and head ring. Pull out retainer ring. Remove second V-packing and second head ring.
- Inspect all parts and replace as necessary.
- Thoroughly clean packing cavities and inspect for damage.
- Lightly grease packing cavities. Replace packings in the following order:
 - head ring
 - v-packing
 - intermediate ring
 - head ring
 - v-packing
 - packing retainer
 - o-ring in retainer groove

 Packings must be installed in the proper order and facing the correct direction. Improperly installed parts will cause the pump to malfunction.

- Reassemble manifold following procedure described in Servicing Plungers, page 16.

Parts

244389, Series A - 2730B with Briggs and Stratton 6.5 HP Motor

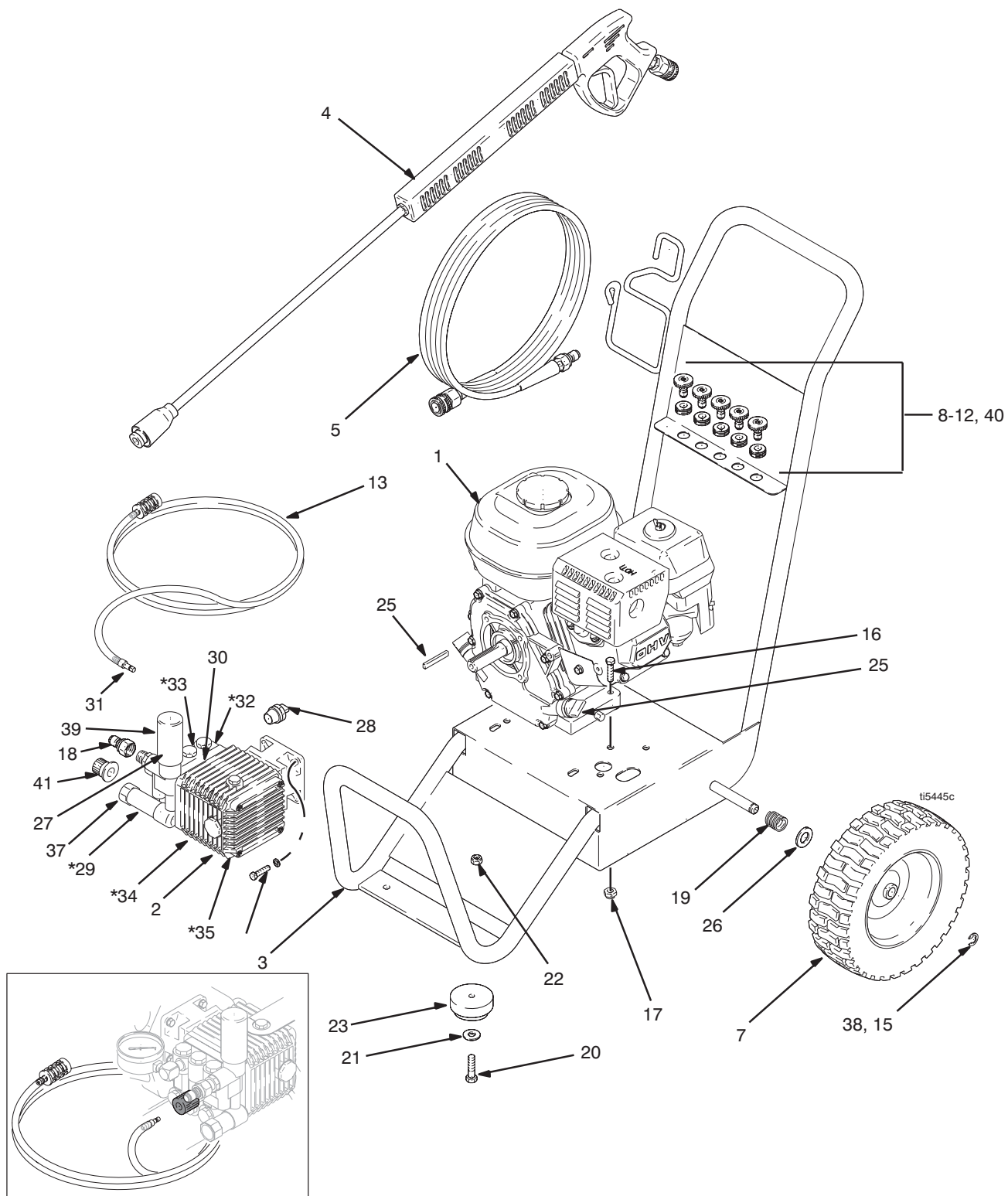


244389, Series A - 2730B with Briggs and Stratton 6.5 HP Motor

Ref. No.	Part No.	Description	Qty.	Ref. No.	Part No.	Description	Qty.
1	116299	ENGINE, gasoline, 6.5 HP Briggs and Stratton	1	20	801546	SCREW, cap	2
2	244749	PUMP, water, 2700, complete	1	21	100132	WASHER, flat	2
3	244767	KIT, frame, includes wheels, feet and tip grommets	1	22	101566	NUT, lock	2
4	244784	GUN	1	23	801504	FOOT, rubber	2
5	244783	HOSE, 4000	1	25	197792	KEY, square	1
7	804511	WHEEL, pneumatic	2	26	116477	WASHER, nylon	2
8	805535	TIP, spray, red, 0°	1	27	244803	KIT, repair, unloader, preset, 2700	1
9	805536	TIP, spray, yellow, 15°	1	28	116460	VALVE, thermal	1
10	805537	TIP, spray, green, 25°	1	29	244741	KIT, repair, chemical injector	1
11	805538	TIP, spray, white, 40°	1	30	116557	MANIFOLD, pump, replacement	1
	244768	KIT, tip, 4-pack	1	31	116558	COUPLING, chemical injector	1
12	805634	TIP, spray, chemical	1	32	804037	KIT, pump, packing (3 cylinders)	1
13	804275	TUBING, chemical, 5/16 in. ID x 8 ft	1	33	804402	KIT, pump, valve (3 cylinders)	1
15	101242	RING, retaining	2	34	804011	KIT, pump, plunger (order 3 to service complete pump)	1
16	110837	SCREW	4	35	804033	KIT, pump, oil seal	1
17	111040	NUT	4	37	244746	FITTING, pump, inlet	1
18	197428	COUPLING, quick release	1	38	116563	NUT, push on (not shown)	2
19	116411	SPRING, compression	2	39	244821	INJECTOR, chemical, complete	1
				40	801012	GROMMETS	5

Parts

244390, Series A - 2730H with Honda 6.5 HP Motor

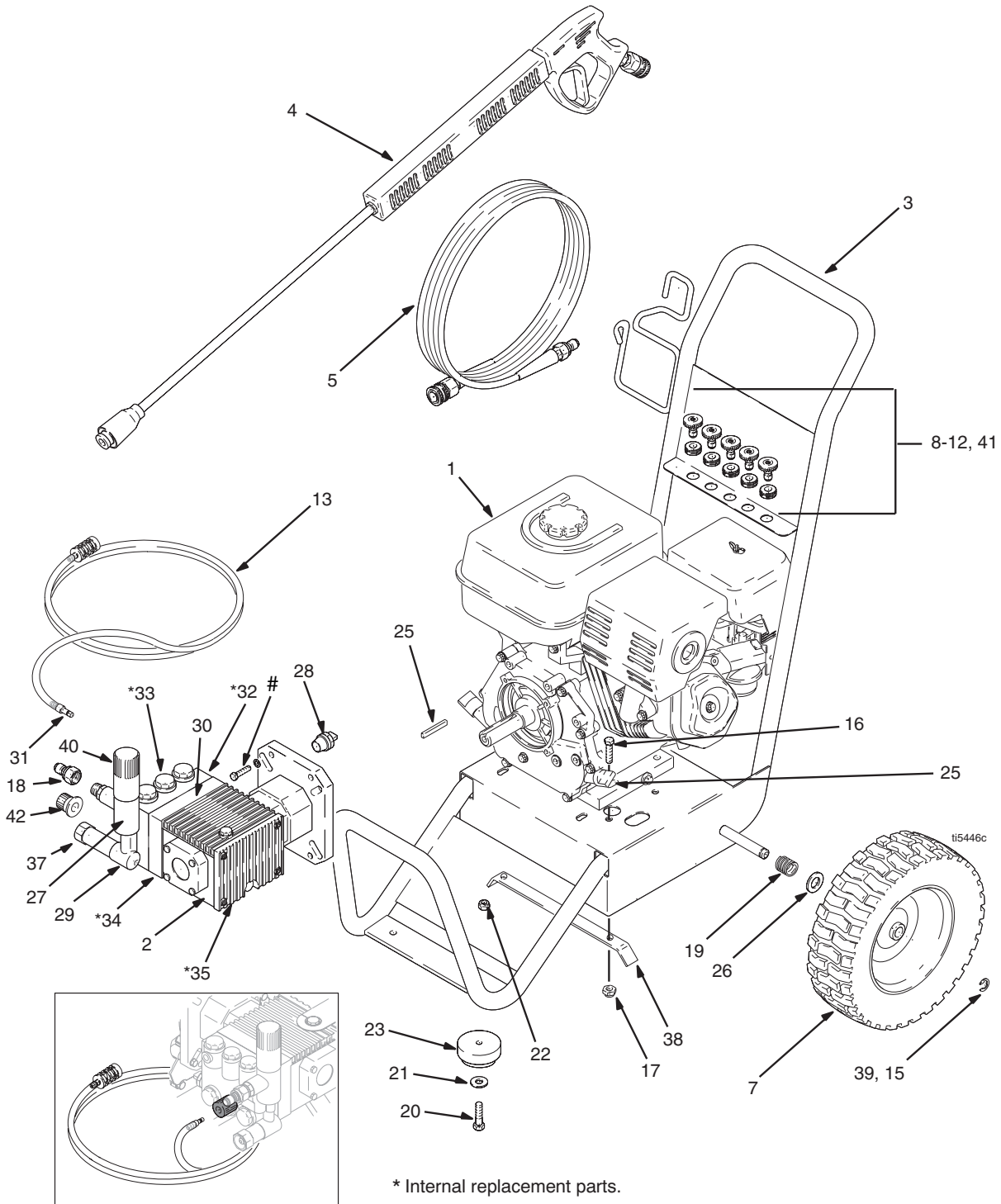


244390, Series A - 2730H with Honda 6.5 HP Motor

Ref. No.	Part No.	Description	Qty.	Ref. No.	Part No.	Description	Qty.
1	116298	ENGINE, gasoline, 6.5 HP Honda	1	21	100132	WASHER, flat	2
2	244749	PUMP, water, 2700, complete	1	22	101566	NUT, lock	2
3	244767	KIT, frame, includes wheels, feet and tip grommets	1	23	801504	FOOT, rubber	2
4	244784	GUN	1	25	197792	KEY, square	1
5	244783	HOSE, 4000	1	26	116477	WASHER, nylon	2
7	804511	WHEEL, pneumatic	2	27	244803	KIT, repair, unloader, preset, 2700	1
8	805535	TIP, spray, red, 0°	1	28	116460	VALVE, thermal	1
9	805536	TIP, spray, yellow, 15°	1	29	244741	KIT, repair, chemical injector	1
10	805537	TIP, spray, green, 25°	1	30	116557	MANIFOLD, pump, replacement	1
11	805538	TIP, spray, white, 40°	1	31	116558	COUPLING, chemical injector	1
	244768	KIT, tip, 4-pack	1	32	804037	KIT, pump, packing (3 cylinders)	1
12	805634	TIP, spray, chemical	1	33	804402	KIT, pump, valve (3 cylinders)	1
13	804275	TUBING, chemical, 5/16 in. ID x 8 ft	1	34	804011	KIT, pump, plunger (order 3 to service complete pump)	1
15	101242	RING, retaining	2	35	804033	KIT, pump, oil seal	1
16	110837	SCREW	4	37	244746	FITTING, pump, inlet	1
17	111040	NUT	4	38	116563	NUT, push on (not shown)	2
18	197428	COUPLING, quick release	1	39	244821	INJECTOR, chemical, complete	1
19	116411	SPRING, compression	2	40	801012	GROMMETS	5
20	801546	SCREW, cap	2	41	804002	KNOB	1

Parts

244391, Series A - 3030 with Honda 9 HP Motor
 244392, Series A - 3340 with Honda 11 HP Motor
 244393, Series A - 3340 with Honda 13 HP Motor



* Internal replacement parts.

Fastening bolts supplied with pump. Not sold separately.

244391, Series A - 3030 Honda 9 HP Motor†
 244392, Series A - 3340 Honda 11 HP Motor★
 244393, Series A - 3540 Honda 13 HP Motor✓

Ref. No.	Part No.	Description	Qty.	Ref. No.	Part No.	Description	Qty.
1	803900†	ENGINE, gasoline, GX270, 9 HP	1	19	116411	SPRING, compression	2
	803158★	ENGINE, gasoline, GX340, 11 HP	1	20	801546	SCREW, cap	2
	114703✓	ENGINE, gasoline, 13 HP	1	21	100132	WASHER, flat	2
2	244750†	PUMP, water, 3000, complete	1	22	101566	NUT, lock	2
	244751★	PUMP, water, 3300, complete	1	23	801504	FOOT, rubber	2
	244752✓	PUMP, water, 3500, complete	1	25	801137	KEY, square	1
3	244767	KIT, frame, includes wheels, feet and tip grommets	1	26	116477	WASHER, nylon	2
	244784	GUN	1	27	244804†	KIT, repair, unloader, preset, 3000	1
5	244783	HOSE, 4000	1		244805★	KIT, repair, unloader, preset, 3300	1
7	804511†	WHEEL, pneumatic	2		244806✓	KIT, repair, unloader, preset, 3500	1
	116478★✓	WHEEL, pneumatic	2	28	116461	VALVE, thermal	1
8	805539†★	TIP, spray, red, 0°	1	29	244741	KIT, repair, chemical injector	1
	805543✓	TIP, spray, red, 0°	1	30	116559	MANIFOLD, pump, replacement	1
9	805540★	TIP, spray, yellow, 15°	1	31	116558	COUPLING, chemical injector	1
	805544✓	TIP, spray, yellow, 15°	1	32	804404	KIT, pump, packing (order 3 to service complete pump)	1
10	805541†★	TIP, spray, green, 25°	1	33	804402	KIT, pump, valve (3 cylinders)	1
	805545✓	TIP, spray, green, 25°	1	34	804415	KIT, pump, plunger (order 3 to service complete pump)	1
11	805542†★	TIP, spray, white, 40°	1	35	804033	KIT, pump, oil seal	1
	805546✓	TIP, spray, white, 40°	1	37	244746	FITTING, pump, inlet	1
	244768†★	KIT, tip, 4-pack	1	38	198055✓	BRACKET, model 3540 only	1
	800708✓	KIT, tip, 4-pack	1	39	116563	NUT, push on (not shown)	2
12	805634	TIP, spray, chemical	1	40	244821	INJECTOR, chemical, complete	1
13	804275	TUBING, chemical, 5/16 in. ID x 8 ft	1	41	801012	GROMMETS	5
15	101242	RING, retaining	2	42	804002	KNOB	1
16	110837	SCREW	4				
17	111040	NUT	4				
18	197428	COUPLING, quick release	1				

Sound Data

Sound Data	Direct Drive Pressure Washer Models				
	2730B	2730H	3030	3340	3540
Sound Pressure	92.5 dB(A)	89.0 dB(A)	93.3 dB(A)	90.4 dB(A)	90.7 dB(A)
Sound Level	106.8 dB(A)	103.3 dB(A)	107.6 dB(A)	104.7 dB(A)	105.0 dB(A)

Graco Standard Warranty

Graco warrants all equipment referenced in this document which is manufactured by Graco and bearing its name to be free from defects in material and workmanship on the date of sale to the original purchaser for use. With the exception of any special, extended, or limited warranty published by Graco, Graco will, for a period of twelve months from the date of sale, repair or replace any part of the equipment determined by Graco to be defective. This warranty applies only when the equipment is installed, operated and maintained in accordance with Graco's written recommendations.

This warranty does not cover, and Graco shall not be liable for general wear and tear, or any malfunction, damage or wear caused by faulty installation, misapplication, abrasion, corrosion, inadequate or improper maintenance, negligence, accident, tampering, or substitution of non-Graco component parts. Nor shall Graco be liable for malfunction, damage or wear caused by the incompatibility of Graco equipment with structures, accessories, equipment or materials not supplied by Graco, or the improper design, manufacture, installation, operation or maintenance of structures, accessories, equipment or materials not supplied by Graco.

This warranty is conditioned upon the prepaid return of the equipment claimed to be defective to an authorized Graco distributor for verification of the claimed defect. If the claimed defect is verified, Graco will repair or replace free of charge any defective parts. The equipment will be returned to the original purchaser transportation prepaid. If inspection of the equipment does not disclose any defect in material or workmanship, repairs will be made at a reasonable charge, which charges may include the costs of parts, labor, and transportation.

THIS WARRANTY IS EXCLUSIVE, AND IS IN LIEU OF ANY OTHER WARRANTIES, EXPRESS OR IMPLIED, INCLUDING BUT NOT LIMITED TO WARRANTY OF MERCHANTABILITY OR WARRANTY OF FITNESS FOR A PARTICULAR PURPOSE.

Graco's sole obligation and buyer's sole remedy for any breach of warranty shall be as set forth above. The buyer agrees that no other remedy (including, but not limited to, incidental or consequential damages for lost profits, lost sales, injury to person or property, or any other incidental or consequential loss) shall be available. Any action for breach of warranty must be brought within two (2) years of the date of sale.

GRACO MAKES NO WARRANTY, AND DISCLAIMS ALL IMPLIED WARRANTIES OF MERCHANTABILITY AND FITNESS FOR A PARTICULAR PURPOSE, IN CONNECTION WITH ACCESSORIES, EQUIPMENT, MATERIALS OR COMPONENTS SOLD BUT NOT MANUFACTURED BY GRACO. These items sold, but not manufactured by Graco (such as electric motors, switches, hose, etc.), are subject to the warranty, if any, of their manufacturer. Graco will provide purchaser with reasonable assistance in making any claim for breach of these warranties.

In no event will Graco be liable for indirect, incidental, special or consequential damages resulting from Graco supplying equipment hereunder, or the furnishing, performance, or use of any products or other goods sold hereto, whether due to a breach of contract, breach of warranty, the negligence of Graco, or otherwise.

FOR GRACO CANADA CUSTOMERS

The Parties acknowledge that they have required that the present document, as well as all documents, notices and legal proceedings entered into, given or instituted pursuant hereto or relating directly or indirectly hereto, be drawn up in English. Les parties reconnaissent avoir convenu que la rédaction du présente document sera en Anglais, ainsi que tous documents, avis et procédures judiciaires exécutés, donnés ou intentés, à la suite de ou en rapport, directement ou indirectement, avec les procédures concernées.

Graco Information

TO PLACE AN ORDER, contact your Graco distributor or call **1-800-690-2894** to identify the nearest distributor.

*All written and visual data contained in this document reflects the latest product information available at the time of publication.
Graco reserves the right to make changes at any time without notice.*

MM 309286

Graco Headquarters: Minneapolis
International Offices: Belgium, China, Japan, Korea
GRACO INC. P.O. BOX 1441 MINNEAPOLIS, MN 55440-1441
www.graco.com
Written in USA
2/2001 Rev 10/2006