

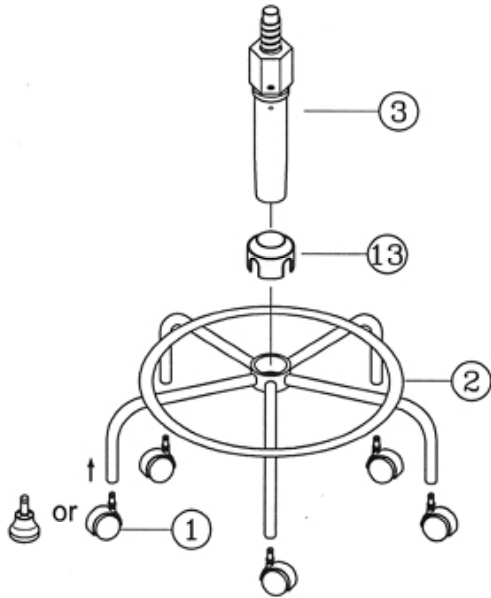


Assembly Instructions for No. DC445 Chair

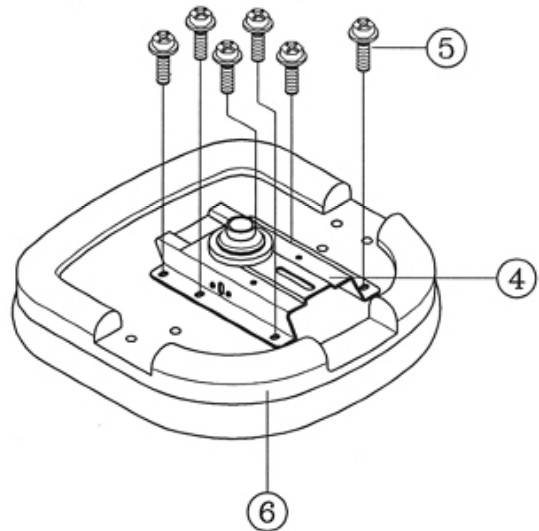
PART LIST

KEY	QTY	DESCRIPTION	KEY	QTY	DESCRIPTION	KEY	QTY	DESCRIPTION
1	5	Casters or Glides	6	1	Seat	11	1	Backrest Depth Adj. Knob + Washers
2	1	Base	7	1	Backrest	12	1	Backrest Height Adj. Knob + Washer
3	1	Gas Cylinder	8	1	Backrest Connector+Cover	13	1	Base Cover
4	1	Seat Plate	9	1	Backrest Support Cover			
5	6	Seat Plate Screws	10	1	Angle Adj Knob			

STEP 1.



STEP 2.



STEP 3.

